

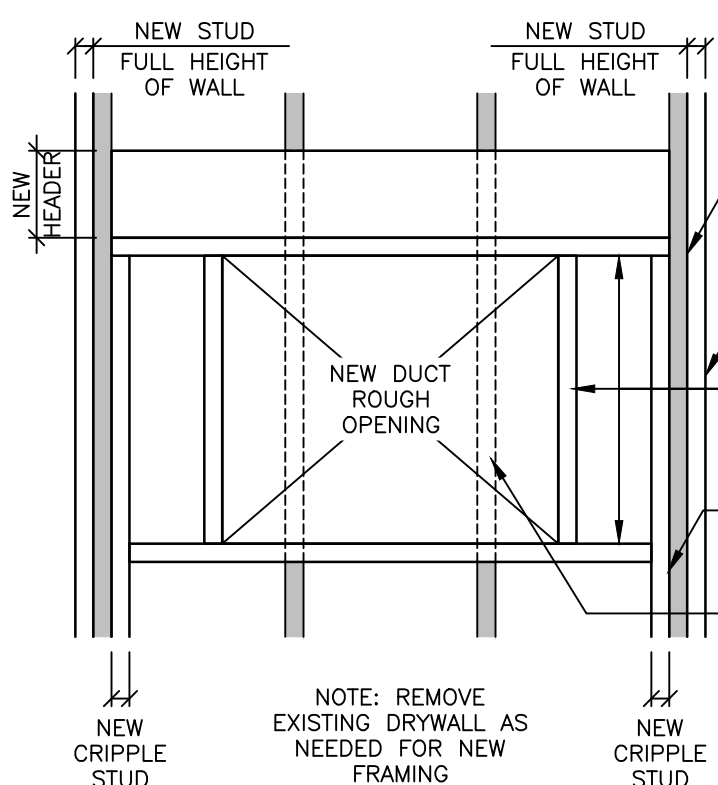
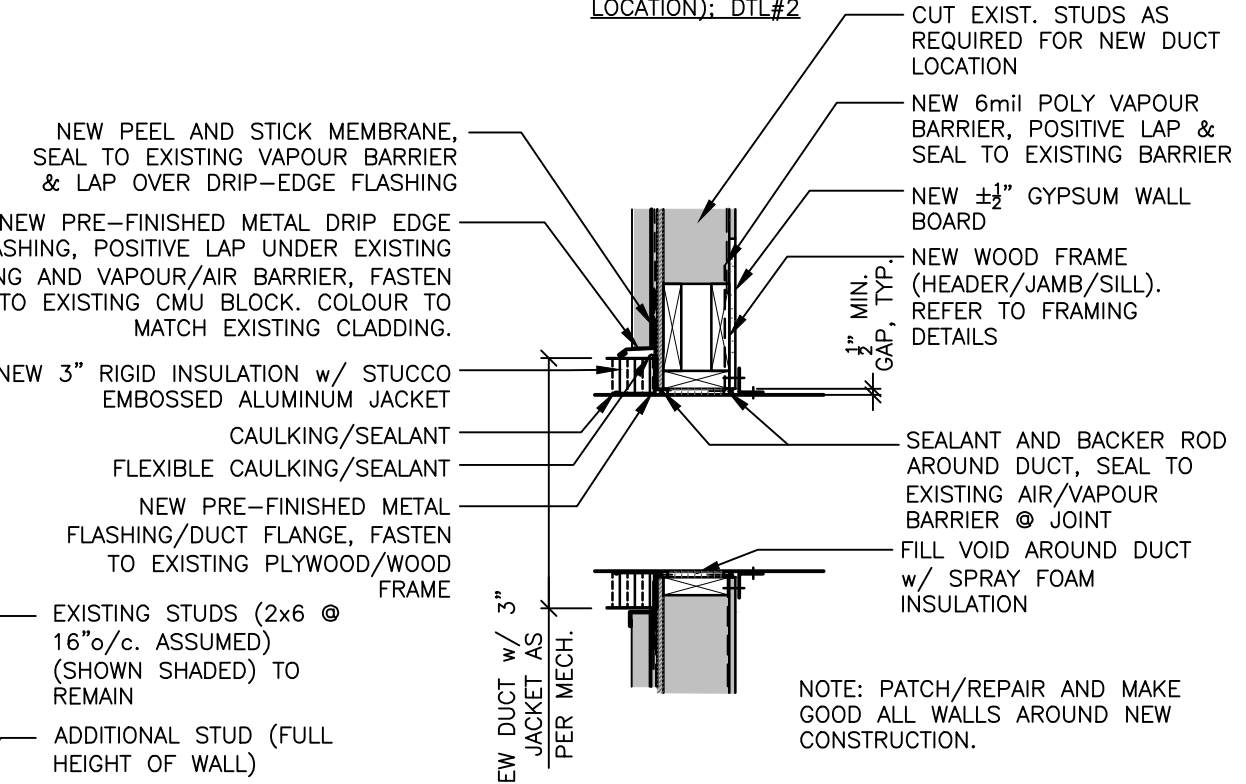
**EXISTING WALL CONSTRUCTION**

BUILDING 21: METAL CLADDING/WOOD FRAME/DRYWALL

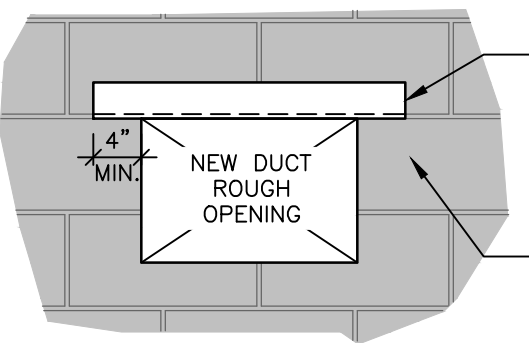
BUILDING 13: METAL CLADDING/CMU BLOCK/DRYWALL

TYPICAL DEMOLITION OF DUCT PENETRATION THROUGH EXISTING WALL; DTL#1

DEMOLISH WALL AS REQUIRED FOR NEW DUCT PENETRATION (PROVIDE  $\frac{1}{2}$ " GAP ALL AROUND FOR DUCT INSTALLATION). SEE MECH FOR DUCT LOCATIONS.



TYPICAL FRAMING ELEVATION @ WOOD FRAME WALL (TYP. OF (3) LOCATIONS). REFER TO MECH; DTL#5



TYPICAL FRAMING ELEVATION @ CMU BLOCK WALL (TYP. OF (1) LOCATIONS). REFER TO MECH; DTL#6

