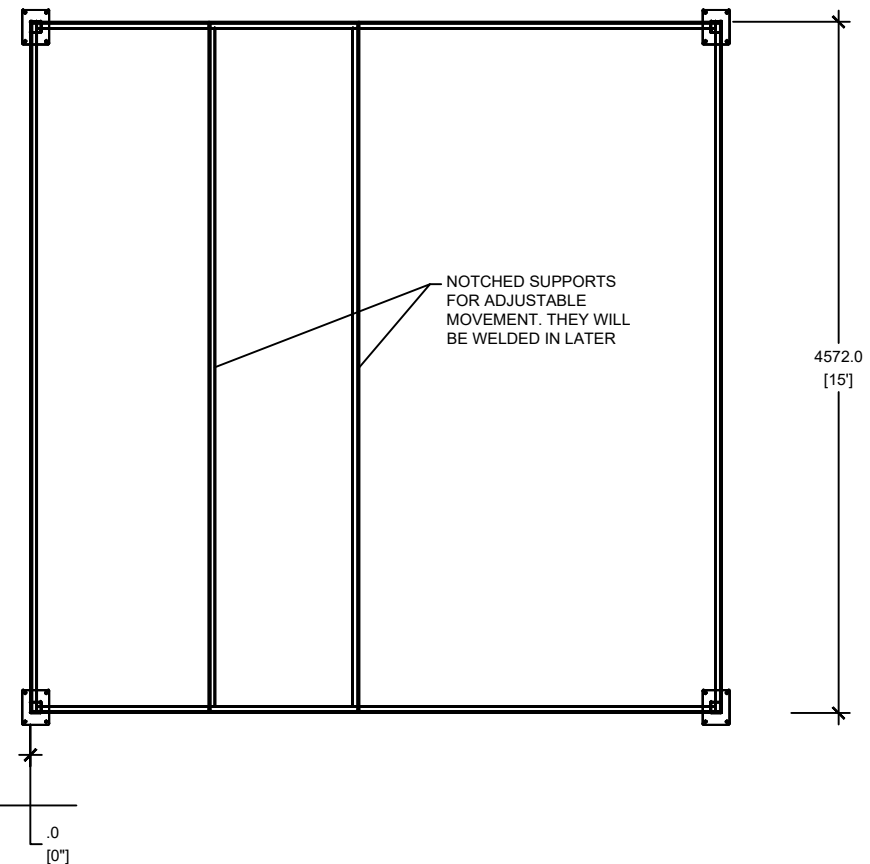
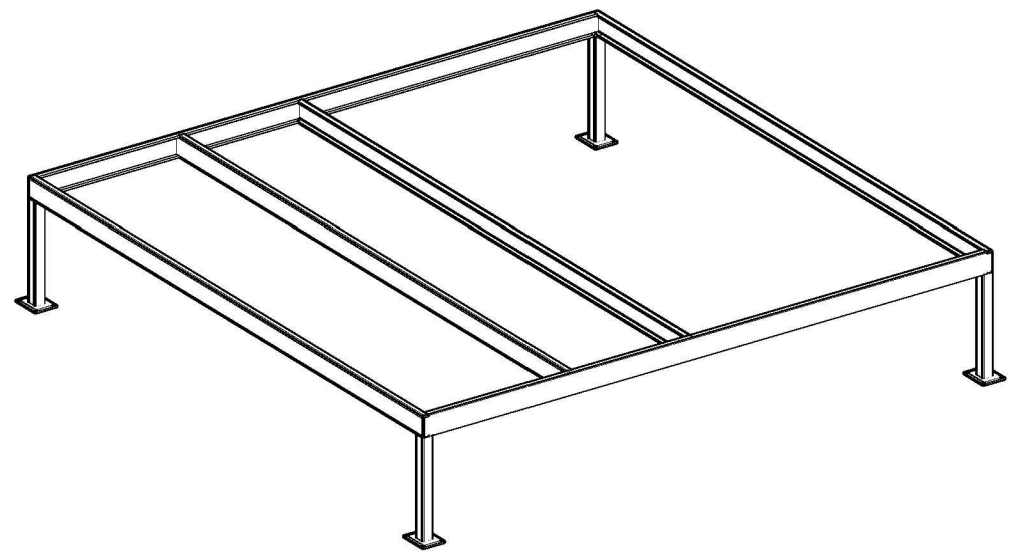


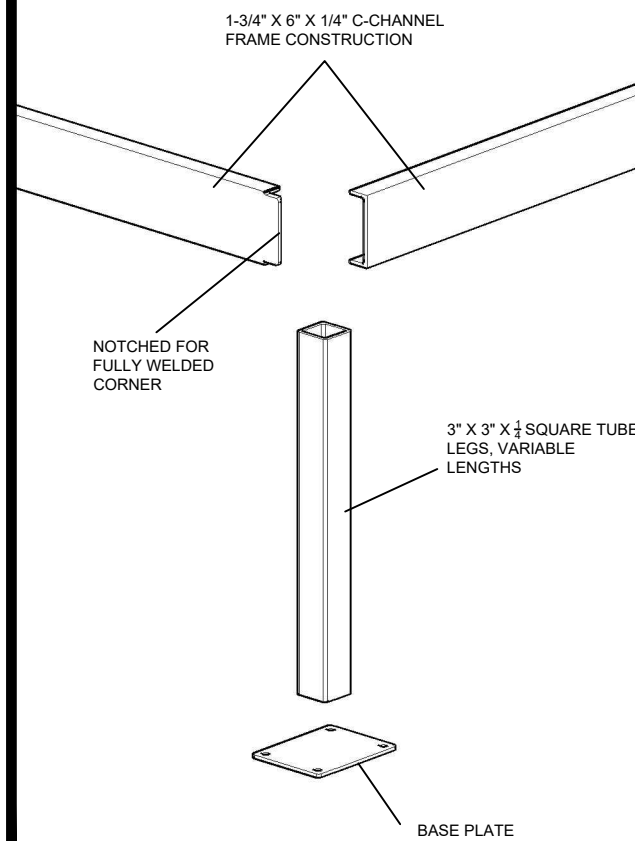
ISO METRIC VIEW (WIRE FRAME)  
1:50 SCALE



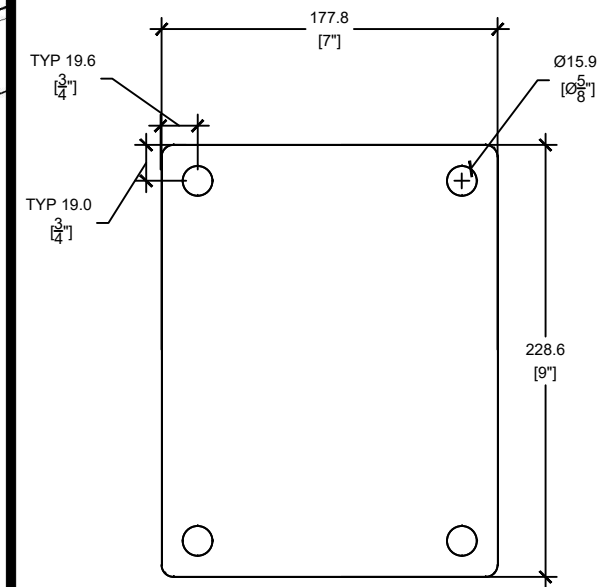
TOP VIEW  
1:50 SCALE



ISO METRIC VIEW (SOLID)  
1:50 SCALE



SECTION VIEW (ASSEMBLY)  
1:15 SCALE



BASE PLATE  
1:4 SCALE

GENERAL NOTES

No.	DESCRIPTION	DD/MM/YY
1	Revision/Issue	Date

Firm Name and Address

Z:\Corcon Drawings\CORCAN Logo New.tif  
CORCAN CONSTRUCTION  
Frontenac Institution  
Kingston, Ontario

THESE DRAWINGS AND SPECIFICATIONS ARE THE PROPERTY OF THE CORRECTIONAL SERVICE OF CANADA AND SHALL NOT BE REPRODUCED, COPIED, OR USED AS THE BASIS FOR THE CONSTRUCTION, MANUFACTURE, OR SALE OF ANY ARTICLE WITHOUT THE WRITTEN PERMISSION OF THE CORRECTIONAL SERVICE OF CANADA.

CES DESSIN ET SPECIFICATION SONT LES PROPRIETES DU SERVICE CORRECTIONNEL DU CANADA ET NE DOIVENT ETRE NI PRODUIT, NI COPIES, OU NI UTILISES POUR LA FABRICATION, CONSTRUCTION, OU LA VENTE D'ARTICLE SANS LA PERMISSION DU SERVICE CORRECTIONNEL DU CANADA.

Project Name and Address

WARKWORTH TEMP  
KITCHEN

PLATFORM DRAWING

Project	Sheet
Date: 2020-09-10	<b>100</b>
Scale: ON DRAWING	