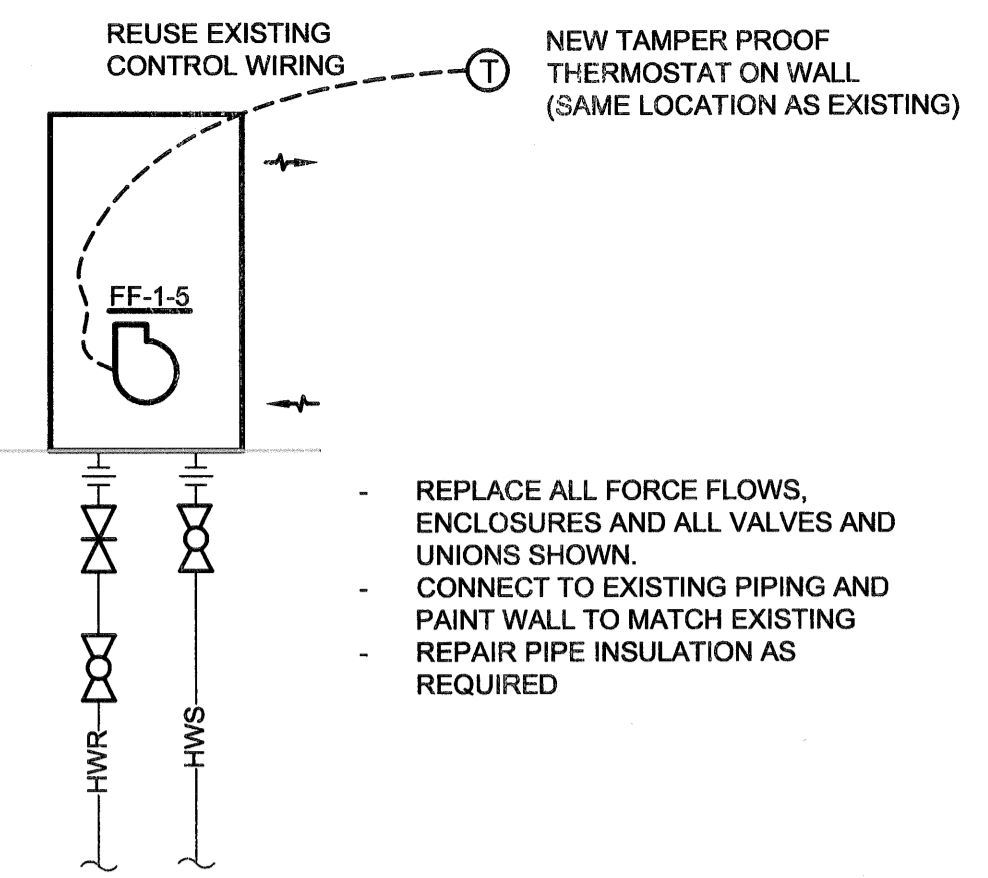
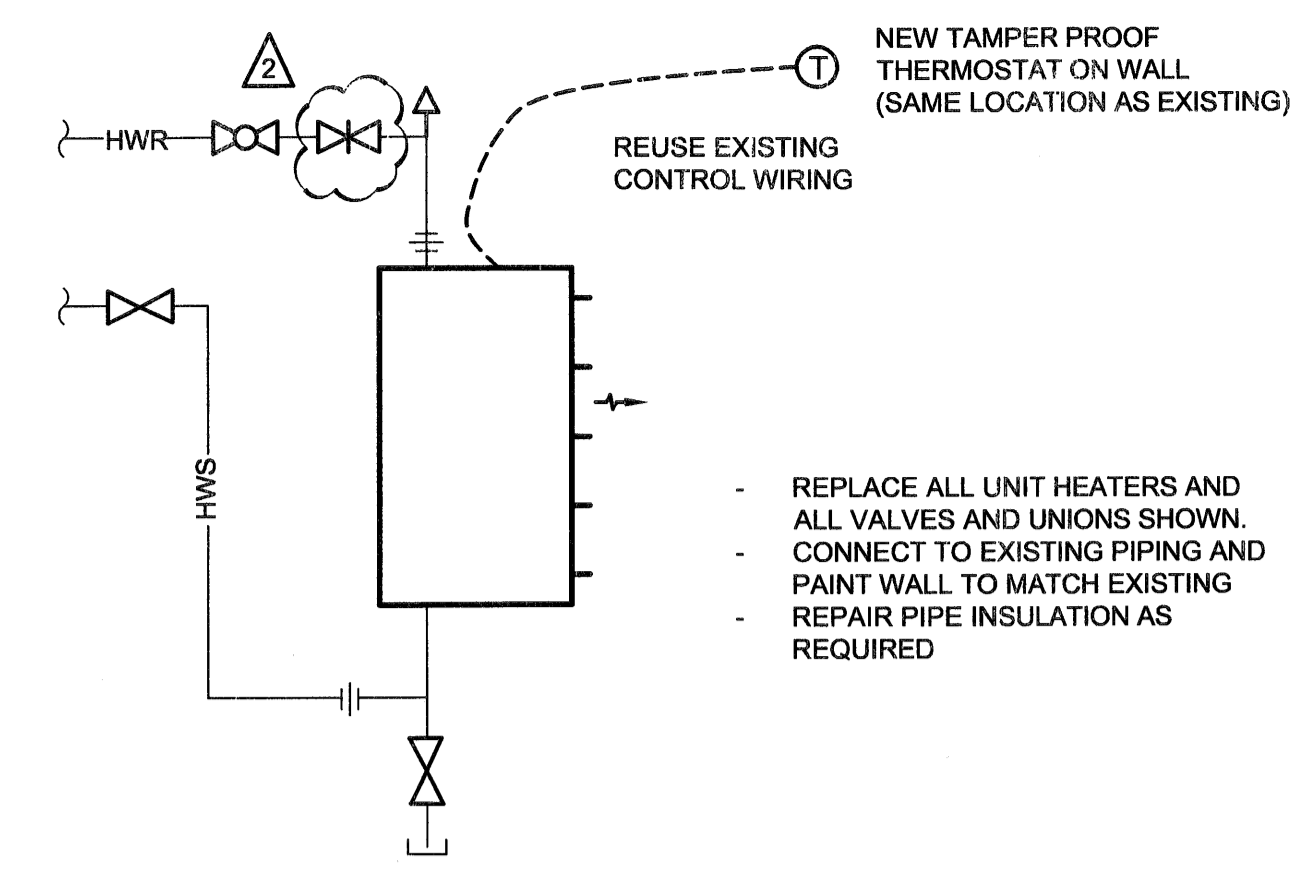


1 HYDRONIC RADIATOR SCHEMATIC (TYP.)
SCALE: N.T.S.



2 CABINET FORCE FLOW SCHEMATIC
SCALE: N.T.S.

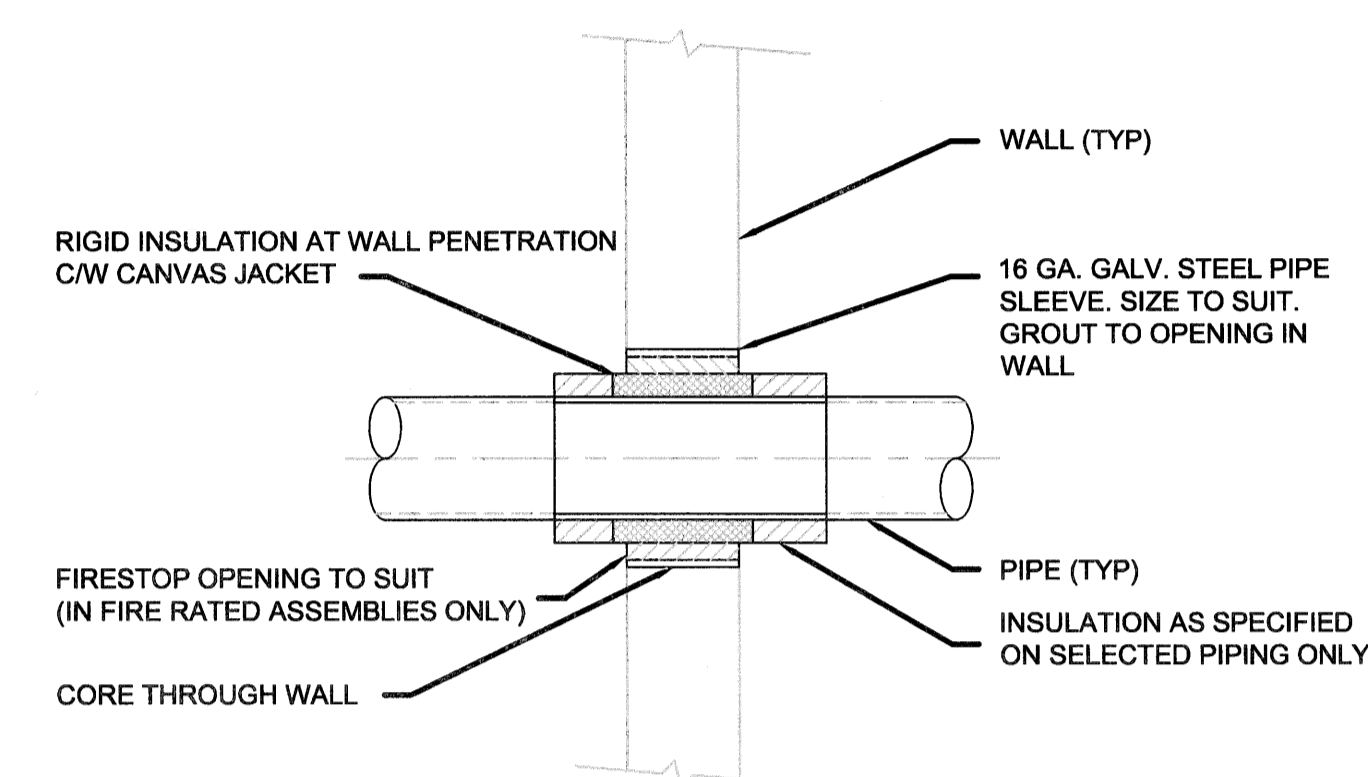


3 UNIT HEATER SCHEMATIC
SCALE: N.T.S.

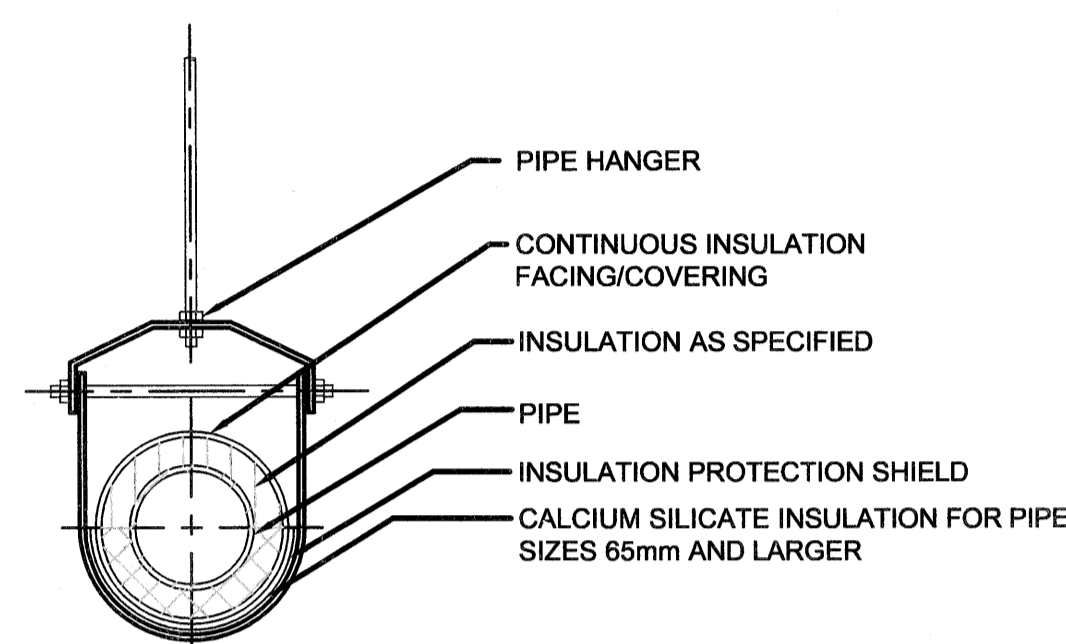
- REPLACE ALL WALL FINIS, ENCLOSURES AND ALL VALVES AND UNIONS SHOWN.
- CONNECT TO EXISTING PIPING AND PAINT WALL TO MATCH EXISTING
- REPAIR PIPE INSULATION AS REQUIRED

- REPLACE ALL FORCE FLOWS, ENCLOSURES AND ALL VALVES AND UNIONS SHOWN.
- CONNECT TO EXISTING PIPING AND PAINT WALL TO MATCH EXISTING
- REPAIR PIPE INSULATION AS REQUIRED

- REPLACE ALL UNIT HEATERS AND ALL VALVES AND UNIONS SHOWN.
- CONNECT TO EXISTING PIPING AND PAINT WALL TO MATCH EXISTING
- REPAIR PIPE INSULATION AS REQUIRED

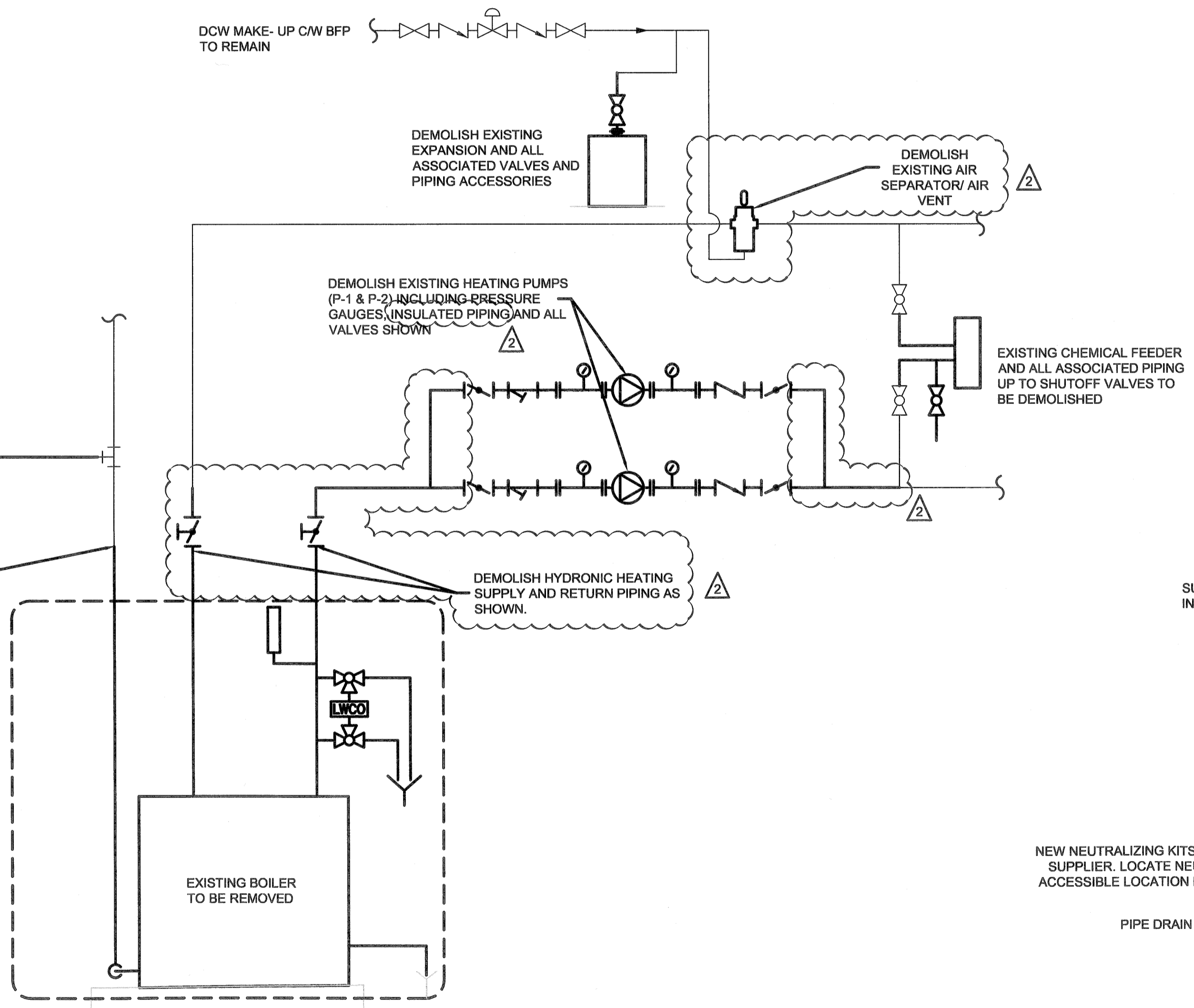


4 PIPE WALL PENETRATION DETAIL (TYP.)
SCALE: N.T.S.

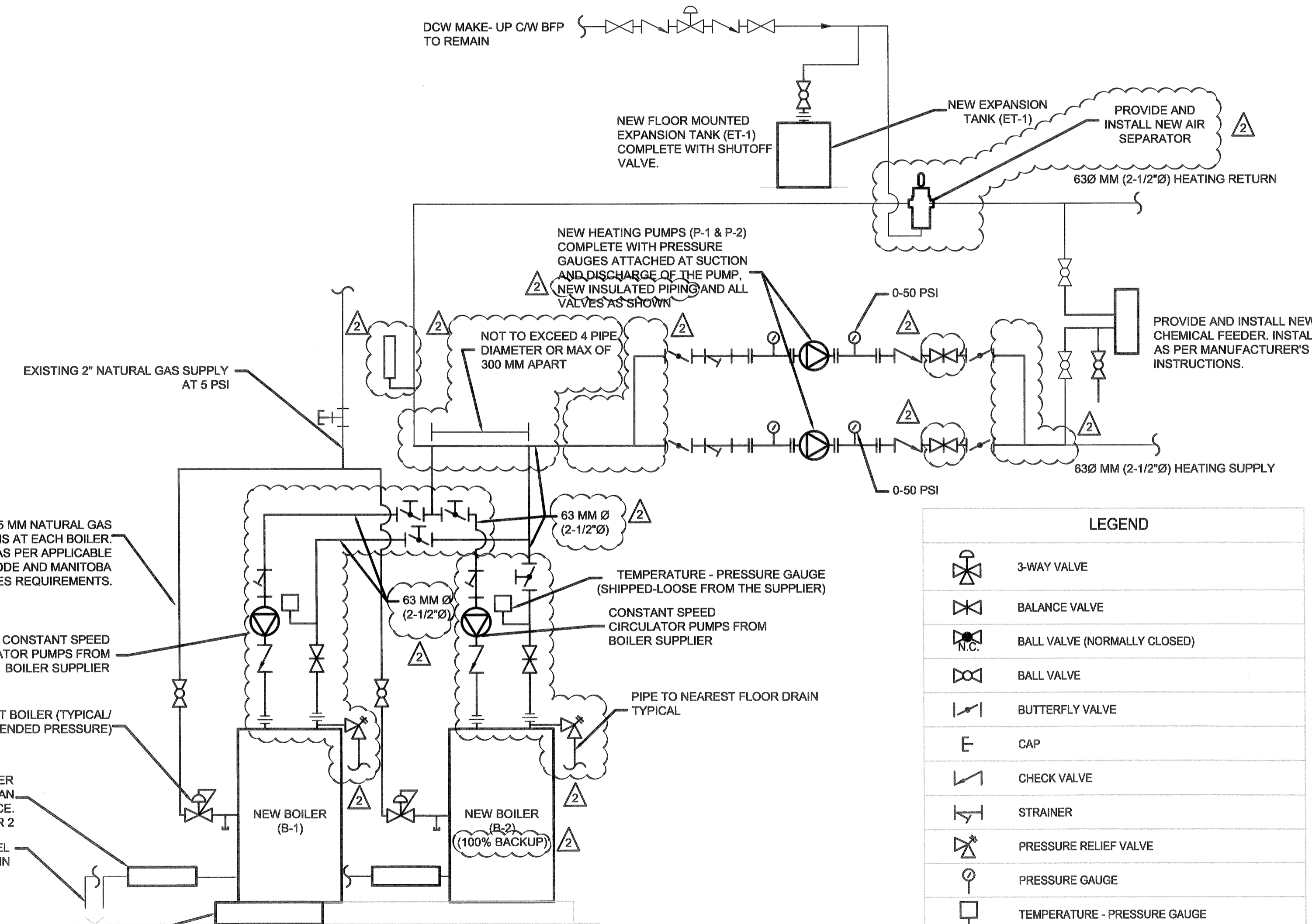


5 INSULATION/PIPE HANGER DETAIL (TYP.)
SCALE: N.T.S.

* CONTRACTOR TO DESIGN, SUPPLY AND INSTALL ALL REQUIRED PIPE SUPPORTS. PROVIDE ADDITIONAL SUPPORT STEEL AS REQUIRED.



6 HOT WATER HEATING PIPING SCHEMATIC - DEMOLITION
SCALE: N.T.S.



7 HOT WATER HEATING PIPING SCHEMATIC - NEW
SCALE: N.T.S.

LEGEND	
	3-WAY VALVE
	BALANCE VALVE
	BALL VALVE (NORMALLY CLOSED)
	BALL VALVE
	BUTTERFLY VALVE
	CAP
	CHECK VALVE
	STRAINER
	PRESSURE RELIEF VALVE
	PRESSURE GAUGE
	TEMPERATURE - PRESSURE GAUGE
	PRESSURE REDUCING VALVE
	DIRT TRAP
	2-WAY CONTROL VALVE
	AIR SEPARATOR
	THERMOMETER



ENGINEERS
GEOLOGISTS
MANITOBA
Certificate of Authorization
KGS Group
No. 245



Revision	Description	Date
2	Issued for Addendum No.1	2020/10/29
1	Issued for Construction	2020/09/23
0	Issued for Tender	2020/03/23

Client: DFO CENTRAL AND ARCTIC REGION

Project: CANADIAN COAST GUARD BASE

Project: SELKIRK, MANITOBA

Project: HVAC REFURBISHMENT

Designed by: Conçu par: MJ

Drawn by: Dessiné par: MJ

Approved by: Approuvé par: [Signature]

DFO Project Manager: Administrateur de Projets MPO: ALDIN JANSEN

Drawing title: Titre du dessin: MECHANICAL PIPING SCHEMATIC AND DETAILS

Project no./No. du projet	Drawing no./No. du dessin	Revision no.
	M04	2

