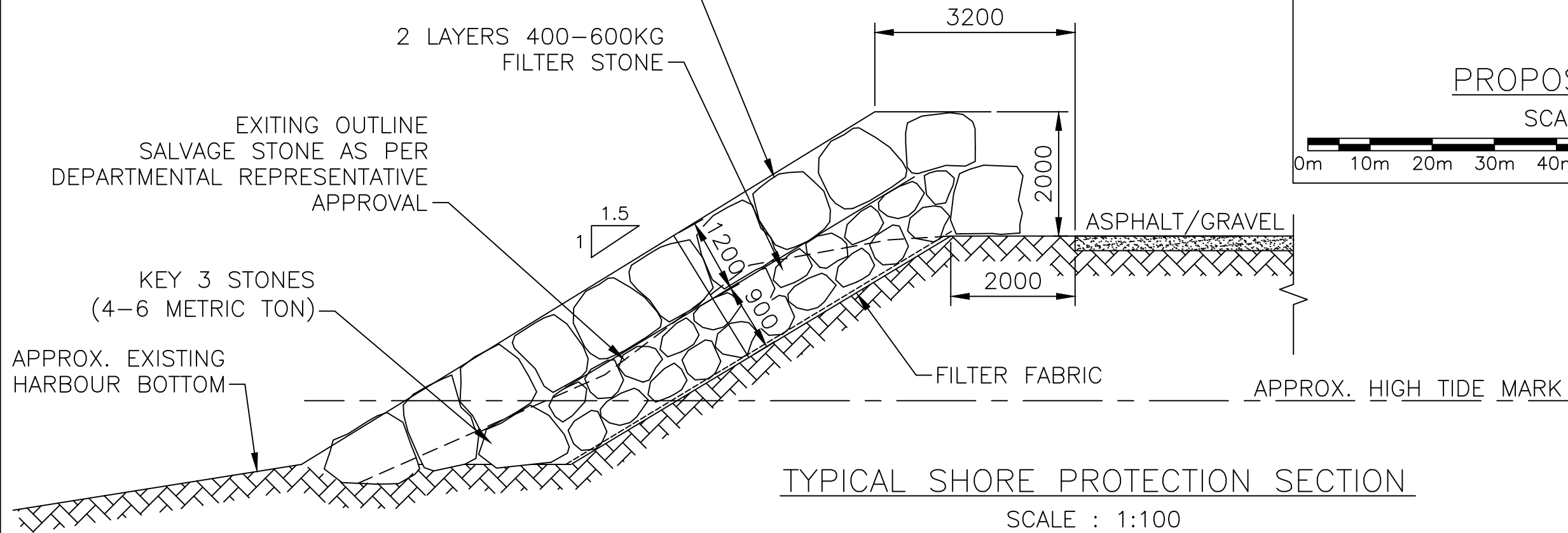


1 LAYER OF 4-6 METRIC TON ARMOUR STONE  
 2 LAYERS 400-600KG FILTER STONE

EXITING OUTLINE  
 SALVAGE STONE AS PER  
 DEPARTMENTAL REPRESENTATIVE  
 APPROVAL

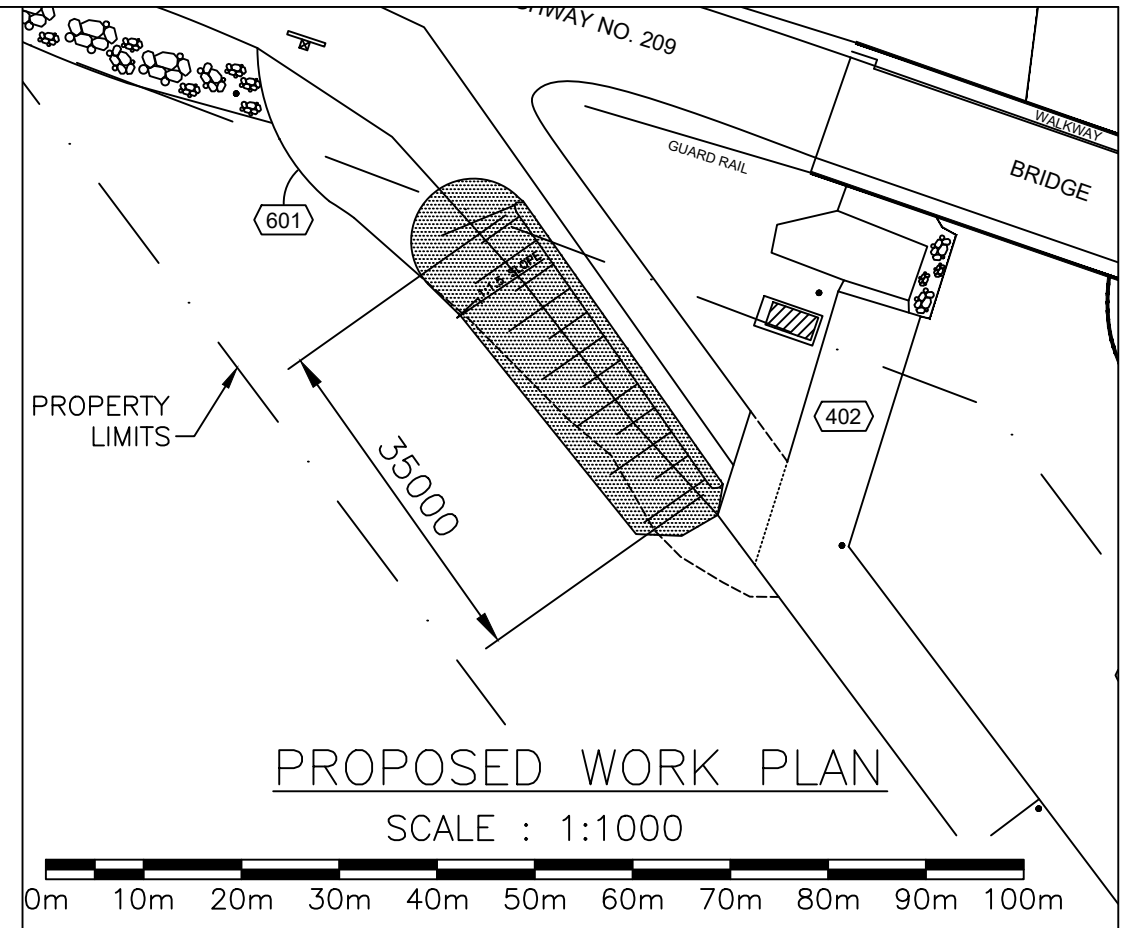
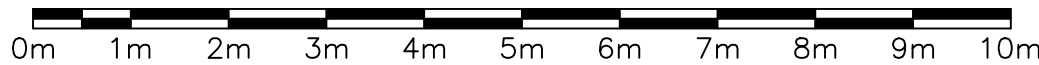
KEY 3 STONES  
 (4-6 METRIC TON)

APPROX. EXISTING  
 HARBOUR BOTTOM



TYPICAL SHORE PROTECTION SECTION

SCALE : 1:100



PROPOSED WORK PLAN

SCALE : 1:1000

Fisheries and Oceans Canada Small Craft Harbours Maritimes / Gulf Region	Pêches et Océans Canada Ports pour Petits Bateaux Région des Maritimes / Golfe	project	SHORE PROTECTION IMPROVEMENT 601	project	Drawing title	Titre du dessin	designed conçu	B. ABRAHAM	date TBD
		Tender	Soumission	ADVOCATE HARBOUR, NS CUMBERLAND COUNTY	TYPICAL SHORE PROTECTION SECTION	drawn dessiné	ABRAHAM/RIOUX	date TBD	
Project Manager	Administrateur de projets				approved approuvé	P. MAZEROLLE	date TBD		
				project number	TBD	no. du projet	drawing no.	1 OF 1	no. du dessin