



Public Services and
Procurement Canada

Services publics et
Approvisionnement Canada

**KM 155
SLOPE STABILIZATION
ALASKA HIGHWAY, BC**

**ALASKA HIGHWAY
BRITISH COLUMBIA**



ISSUED WITH DOCUMENT
SEPTEMBER 25, 2020

ISSUED FOR TENDER
NOT FOR CONSTRUCTION

LEGEND

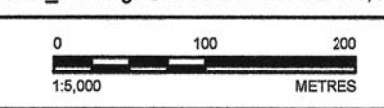
---	SEISMIC LINES
---	ROADS
---	TREELINES
---	CUTBLOCKS
---	NON-CLASSIFIED DRAINAGE / NO EVIDENCE OF STREAM FOUND
●---	POWER LINES
⊙	CULVERT
■	ROAD SIGN

DISCLAIMER
THIS FIGURE IS INTENDED FOR CLIENT'S ONE TIME USE ONLY AND IT IS NOT INTENDED OR REPRESENTED BY GOLDBER TO BE SUITABLE FOR REUSE BY ANY PARTY, INCLUDING, BUT NOT LIMITED TO, THE CLIENT, ITS EMPLOYEES, AGENTS, SUBCONTRACTORS OR SUBSEQUENT OWNERS ON ANY EXTENSION OF A SPECIFIC PROJECT OR FUTURE PROJECTS, WHETHER CLIENTS OR OTHERWISE, WITHOUT GOLDBER'S PRIOR WRITTEN PERMISSION. ANY MANIPULATION, ADAPTATION, MODIFICATION, ALTERATION, MISUSE OR REUSE UNAUTHORIZED BY GOLDBER WILL BE AT CLIENT'S SOLE RISK. GOLDBER EXPRESSLY DISCLAIMS ALL LIABILITY AGAINST ALL THIRD PARTIES RELYING USING OR MAKING DECISIONS BASED ON THIS DRAWING. THIRD PARTIES DO SO AT THEIR OWN RISK. EXCEPT WHERE WRITTEN AGREEMENT STATES OTHERWISE, THIS DRAWING IS THE PROPERTY OF GOLDBER.



- NOTES**
1. ALL UNITS DISPLAYED IN METRES UNLESS OTHERWISE NOTED.
 2. GRID IS DISPLAYED IN NAD 83 UTM ZONE 11.
 3. ELEVATIONS SHOWN IN METRES, DATUM: CGVD28.

REFERENCE
SURVEY PROVIDED BY VECTOR GEOMATICS LTD. TITLED: PROPOSED SKETCH OF PLAN SHOWING AS BUILT OF KM 155 OF ALASKA HIGHWAY B-47-J, 84-A-12 THROUGH UNSURVEYED CROWN LAND, PEACE RIVER DISTRICT BCOS, 94A.072, DATED 01JUN2020. FILENAME 201199948_P0.dwg. ORIGINAL SCALE 1:1,000.



Revision	Description/Description	Date/Date
D	ISSUED FOR TENDER	2020-09-25
B	ISSUED FOR 100% DESIGN	2020-09-18
A	ISSUED FOR 95% DESIGN	2020-09-10

Client/client
PUBLIC SERVICES AND PROCUREMENT CANADA



Project title/Titre du projet
KM 155 SLOPE STABILIZATION ALASKA HIGHWAY, B.C.

Approved by/Approuvé par
--

Designed by/Conçu par
R. JASSAL

Drawn by/Dessiné par
J. FARAH

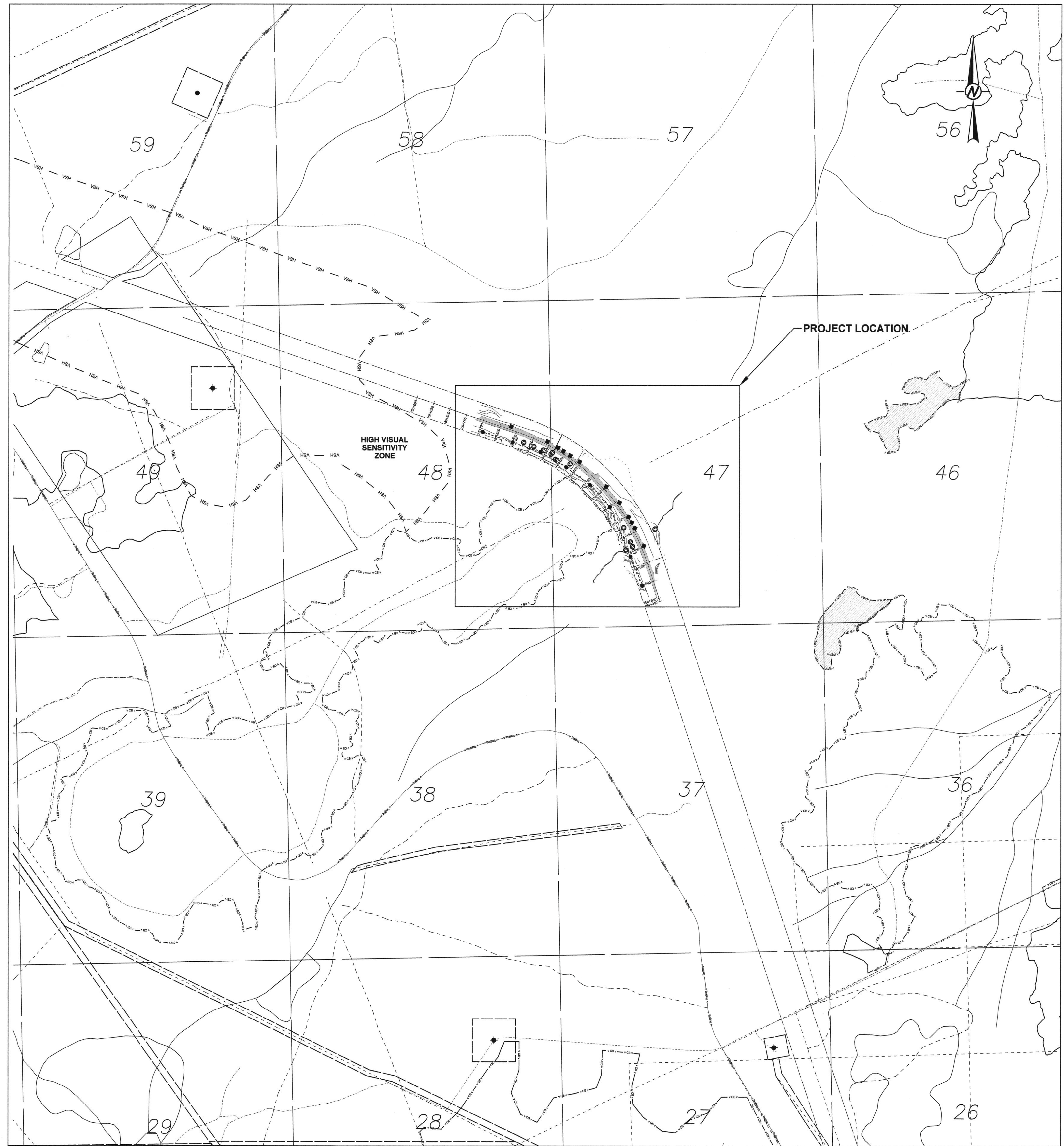
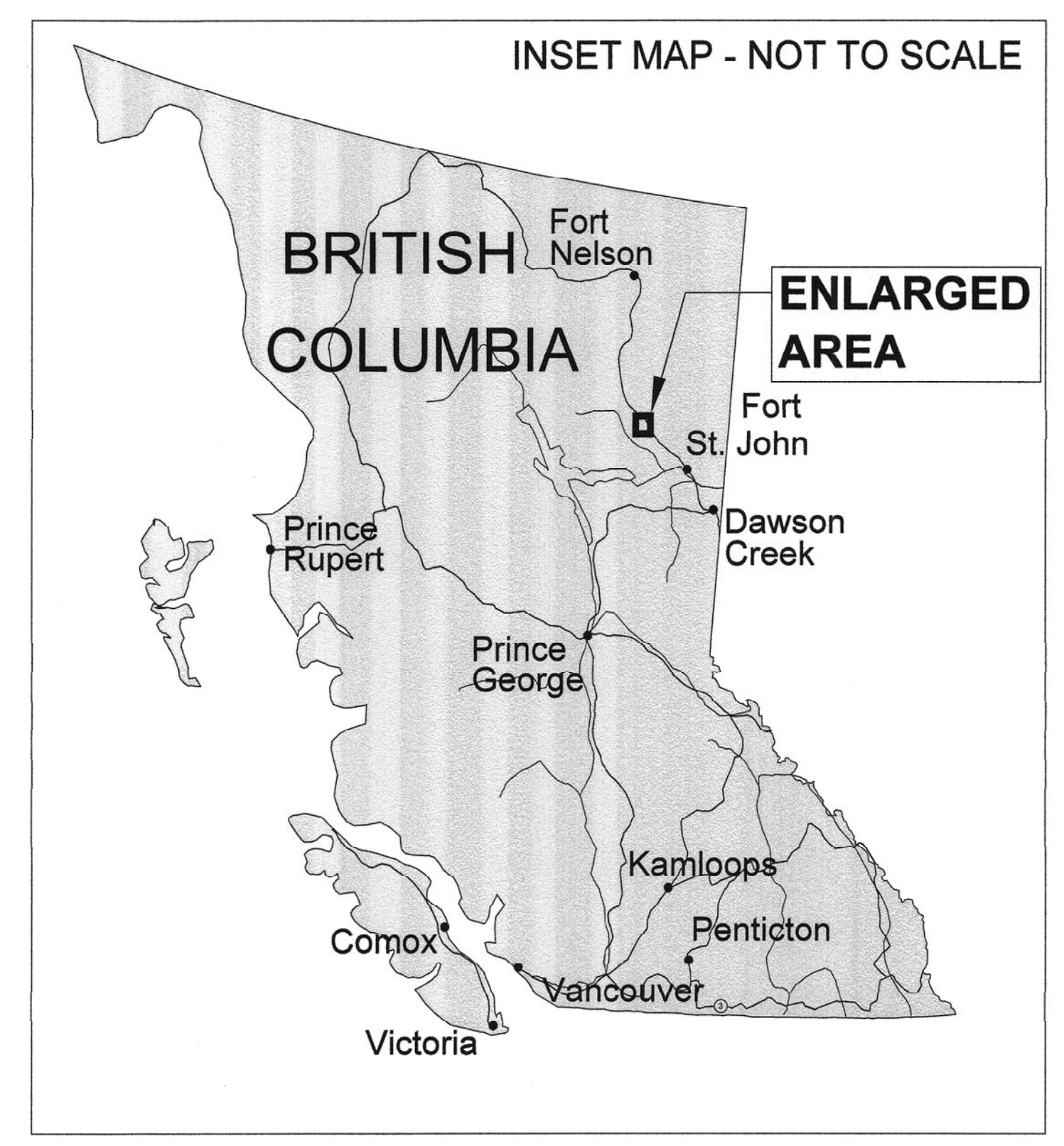
PSPC Project Manager/Administrateur de Projets SPAC
--

PSPC, Architectural and Engineering Resources Manager/
Ressources Architectural et de Directeur d'Ingénierie, SPAC

Client/client
PSPC

Drawing title/Titre du dessin
PROJECT LOCATION PLAN

Project No./No. du projet R.109901.002	Sheet/Feuille C001	Revision no./ Lo Révision 0
		1 OF 9



SHEET LIST TABLE

SHEET NUMBER	SHEET TITLE	REVISION	DATE
C000	COVER PAGE	0	2020-09-25
C001	PROJECT LOCATION PLAN	0	2020-09-25
C002	SITE PLAN	0	2020-09-25
C101	SLOPE STABILIZATION CONCEPT AND NEW DITCH - PLAN VIEW	0	2020-09-25
C201	SLOPE STABILIZATION CONCEPT - DETAIL AND TYPICAL SECTION	0	2020-09-25
C202	SLOPE STABILIZATION CONCEPT - CROSS SECTIONS (1 of 2)	0	2020-09-25
C203	SLOPE STABILIZATION CONCEPT - CROSS SECTIONS (2 of 2)	0	2020-09-25
C301	ROADSIDE DITCH - PLAN AND PROFILE VIEW (1 of 2)	0	2020-09-25
C302	ROADSIDE DITCH - PLAN AND PROFILE VIEW (2 of 2)	0	2020-09-25
C303	ROADSIDE DITCH - TYPICAL SECTIONS	0	2020-09-25

NOT FOR CONSTRUCTION



ISSUED FOR TENDER
NOT FOR CONSTRUCTION

LEGEND

---	SEISMIC LINES
---	ROADS
---	TREELINES
---	CUTBLOCKS
---	NON-CLASSIFIED DRAINAGE / NO EVIDENCE OF STREAM FOUND
---	POWER LINES
⊕	CULVERT
■	ROAD SIGN
⊕	BOREHOLE LOCATION
---	TOPOGRAPHIC CONTOUR (INTERVAL = 0.5 m)
---	ROADWAY

DISCLAIMER
THIS FIGURE IS INTENDED FOR CLIENTS ONE TIME USE ONLY AND IT IS NOT INTENDED OR REPRESENTED BY GOLDER TO BE SUITABLE FOR REUSE BY ANY PARTY, INCLUDING, BUT NOT LIMITED TO, THE CLIENT, ITS EMPLOYEES, AGENTS, SUBCONTRACTORS OR SUBSEQUENT OWNERS ON ANY EXTENSION OF A SPECIFIC PROJECT OR FUTURE PROJECTS, WHETHER CLIENTS OR OTHERWISE, WITHOUT GOLDER'S PRIOR WRITTEN PERMISSION. ANY MANIPULATION, ADAPTATION, MODIFICATION, ALTERATION, MISUSE OR REUSE UNAUTHORIZED BY GOLDER WILL BE AT CLIENTS SOLE RISK. GOLDER EXPRESSLY DISCLAIMS ALL LIABILITY AGAINST ALL THIRD PARTIES RELYING, USING OR MAKING DECISIONS BASED ON THIS DRAWING. THIRD PARTIES DO SO AT THEIR OWN RISK, EXCEPT WHERE WRITTEN AGREEMENT STATES OTHERWISE, THIS DRAWING IS THE PROPERTY OF GOLDER.



NOTES
1. ALL UNITS DISPLAYED IN METRES UNLESS OTHERWISE NOTED.
2. GRID IS DISPLAYED IN NAD 83/UTM ZONE 11.
3. ELEVATIONS SHOWN IN METRES, DATUM CGVD28.

REFERENCE
SURVEY PROVIDED BY VECTOR GEOMATICS LTD. TITLED: PROPOSED SKETCH OF PLAN SHOWING AS BUILT OF KM 155 OF ALASKA HIGHWAY 94-1, 94-4-12 THROUGH UNSURVEYED CROWN LAND, PEACE RIVER DISTRICT BCGS: 94A.072, DATED 01JUN2020.
FILENAME 2011968AB_R0.dwg ORIGINAL SCALE 1:1,000



Revision/Modification	Description/Description	Date/Date
D	ISSUED FOR TENDER	2020-06-26
B	ISSUED FOR 100% DESIGN	2020-06-18
A	ISSUED FOR 90% DESIGN	2020-06-10

Client/client
PUBLIC SERVICES AND PROCUREMENT CANADA



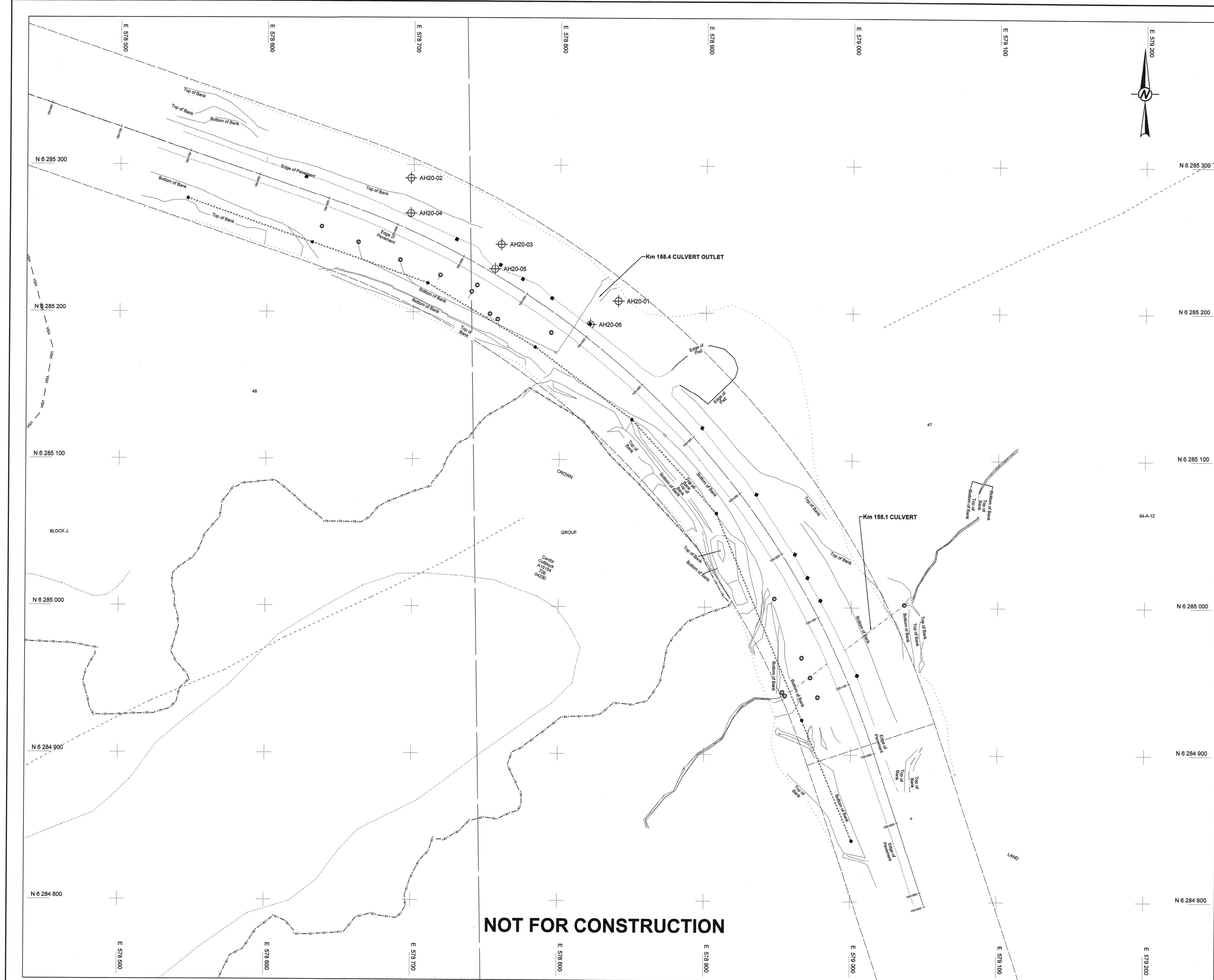
Project title/Titre du projet
KM 155 SLOPE STABILIZATION ALASKA HIGHWAY, B.C.

Approved by/Approve par
--
Designed by/Concept par
R. JASSAL
Drawn by/Dessine par
J. FARAH
PSPC Project Manager/Administrateur de Projets SPAC
--
PSPC Architectural and Engineering Resources Manager/
Ressources Architectural et de Directeur d'Ingénierie, SPAC
--

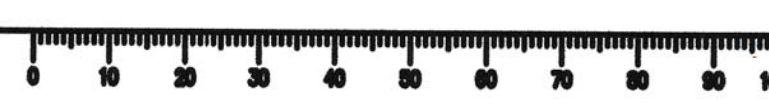
Client/client
PSPC

Drawing title/Titre du dessin
SITE PLAN

Project No./No. du projet R.109901.002	Sheet/Feuille C002	Revision no./ Le Révision no. 0
		2 OF 9



NOT FOR CONSTRUCTION

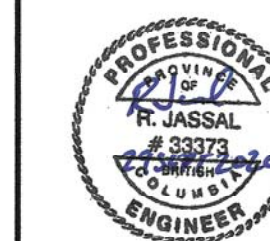


ISSUED FOR TENDER
NOT FOR CONSTRUCTION

LEGEND

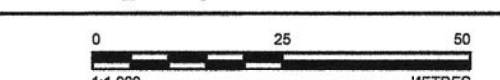
---	ROADS
---	TREELINES
---	CUTBLOCKS
●	NON-CLASSIFIED DRAINAGE / NO EVIDENCE OF STREAM FOUND
---	POWER LINES
⊙	CULVERT
⊙	ROAD SIGN
⊕	BOREHOLE LOCATION
---	TOPOGRAPHIC CONTOUR (INTERVAL = 0.5 m)
---	ROADWAY
---	DITCH FOOTPRINT

DISCLAIMER
THIS FIGURE IS INTENDED FOR CLIENT'S ONE TIME USE ONLY AND IT IS NOT INTENDED OR REPRESENTED BY GOLDBER TO BE SUITABLE FOR REUSE BY ANY PARTY, INCLUDING, BUT NOT LIMITED TO, THE CLIENT, ITS EMPLOYEES, AGENTS, SUBCONTRACTORS OR SUBSEQUENT OWNERS OR ANY EXTENSION OF A SPECIFIC PROJECT OR FUTURE PROJECTS, WHETHER CLIENT'S OR OTHERWISE. WITHOUT GOLDBER'S PRIOR WRITTEN PERMISSION, ANY MANIPULATION, ADAPTATION, MODIFICATION, ALTERATION, ISSUE OR REUSE UNAUTHORIZED BY GOLDBER WILL BE AT CLIENT'S SOLE RISK. GOLDBER EXPRESSLY DISCLAIMS ALL LIABILITY AGAINST ALL THIRD PARTIES RELYING, USING OR MAKING DECISIONS BASED ON THIS DRAWING. THIRD PARTIES DO SO AT THEIR OWN RISK. EXCEPT WHERE WRITTEN AGREEMENT STATES OTHERWISE, THIS DRAWING IS THE PROPERTY OF GOLDBER.



- NOTES**
1. ALL UNITS DISPLAYED IN METRES UNLESS OTHERWISE NOTED.
 2. GRID IS DISPLAYED IN NAD 83 UTM ZONE 11.
 3. ELEVATIONS SHOWN IN METRES, DATUM: CGVD28.

REFERENCE
SURVEY PROVIDED BY VECTOR GEOMATICS LTD. TITLED: PROPOSED SKETCH OF PLAN SHOWING AS BUILT OF KM 155 OF ALASKA HIGHWAY B-47-J, B4-A-12 THROUGH UNSURVEYED CROWN LAND, PEACE RIVER DISTRICT BCOS: 94A-072, DATED 01 JUN 2020. FILENAME 2011966AS_R0.dwg. ORIGINAL SCALE 1:1,000.



0	ISSUED FOR TENDER	2020-09-28
B	ISSUED FOR 100% DESIGN	2020-09-18
A	ISSUED FOR 66% DESIGN	2020-09-10
Revision/	Description/Description	Date/Date

Client/client
PUBLIC SERVICES AND PROCUREMENT CANADA

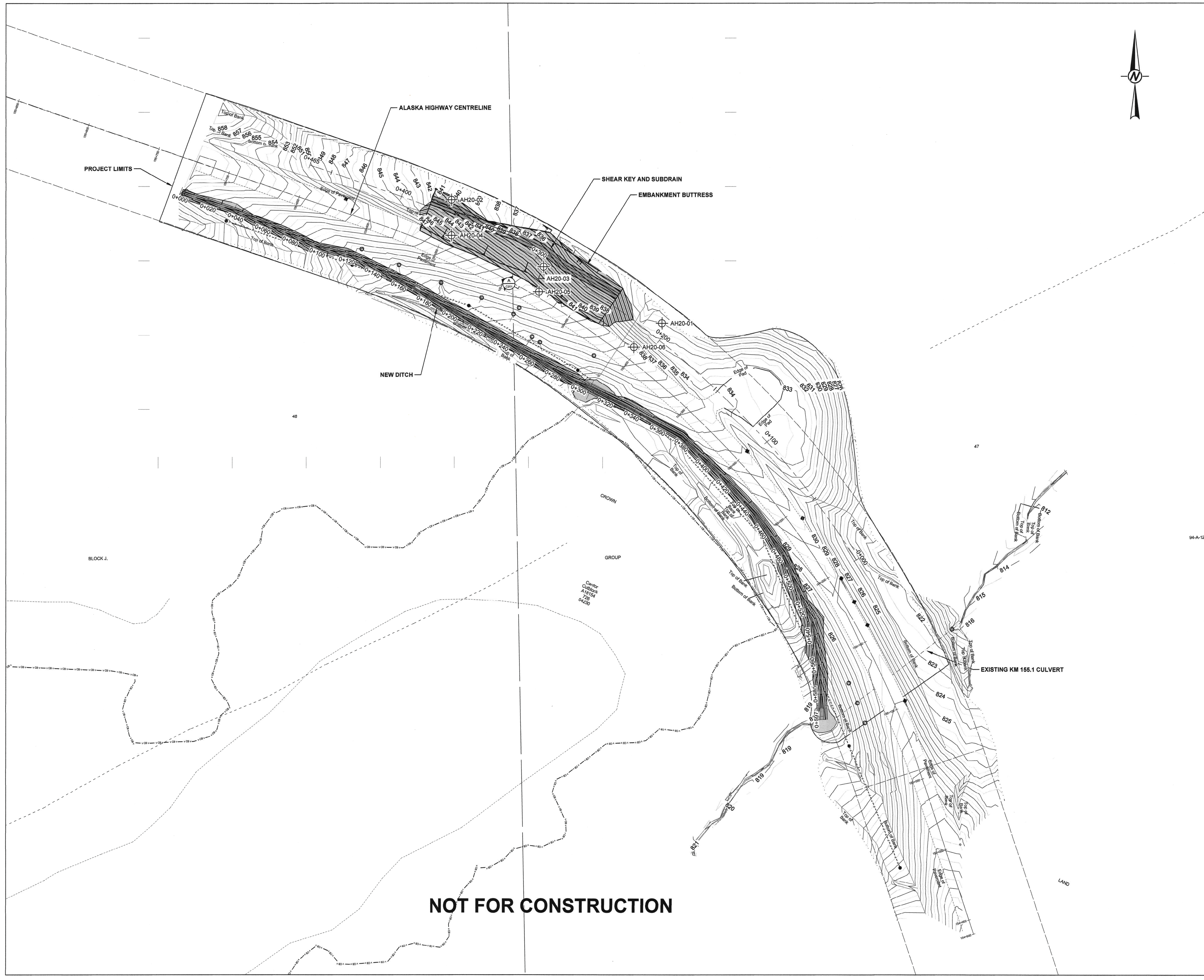


Project title/Titre du projet
KM 155 SLOPE STABILIZATION ALASKA HIGHWAY, B.C.

Approved by/Approve par
--
Designed by/Concept par
R. JASSAL
Drawn by/Dessine par
J. FARAH
PSPC Project Manager/Administrateur de Projets SPAC
PSPC, Architectural and Engineering Resources Manager/
Ressources Architectural et de Directeur d'ingénierie, SPAC
Client/client
PSPC

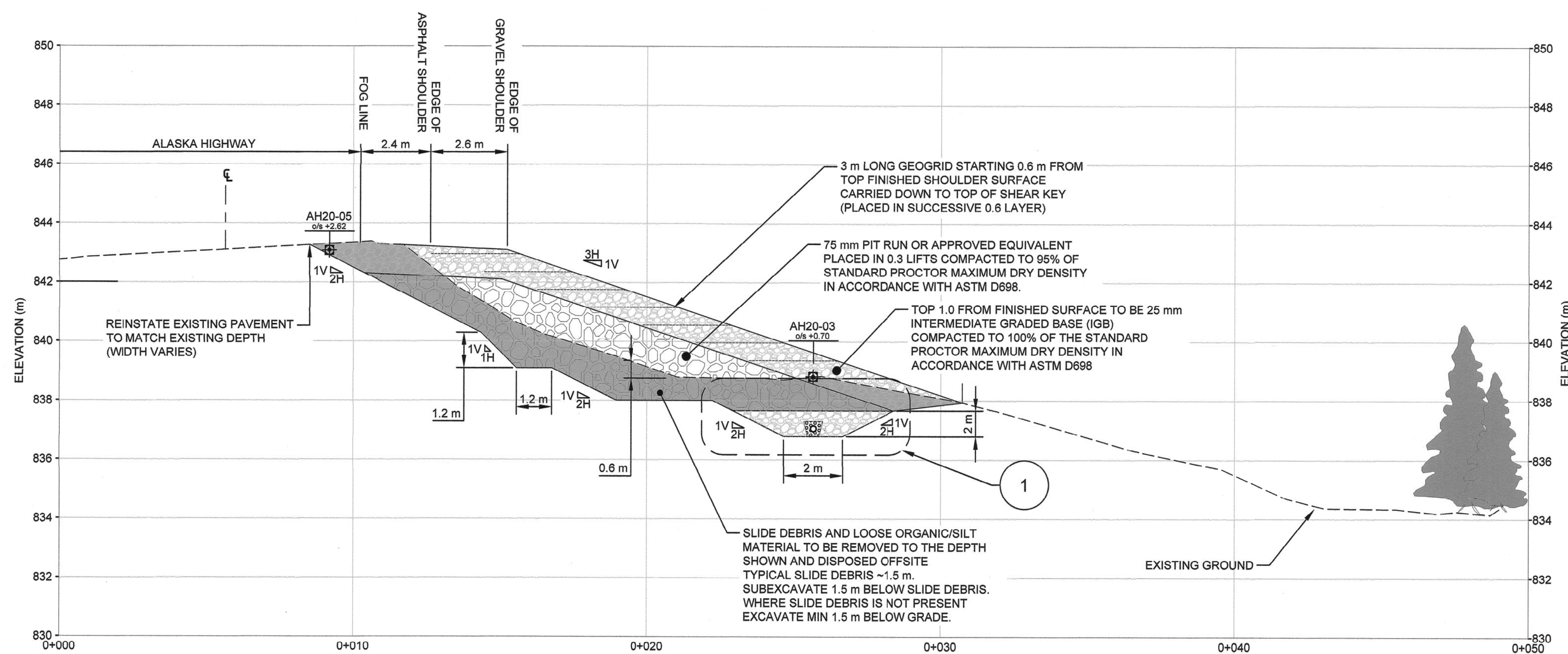
Drawing title/Titre du dessin
SLOPE STABILIZATION CONCEPT AND NEW DITCH - PLAN VIEW

Project No./No. du projet	Sheet/Fauille	Revision no./ La Revision no.
R.109901.002	C101	0
	3 OF 9	

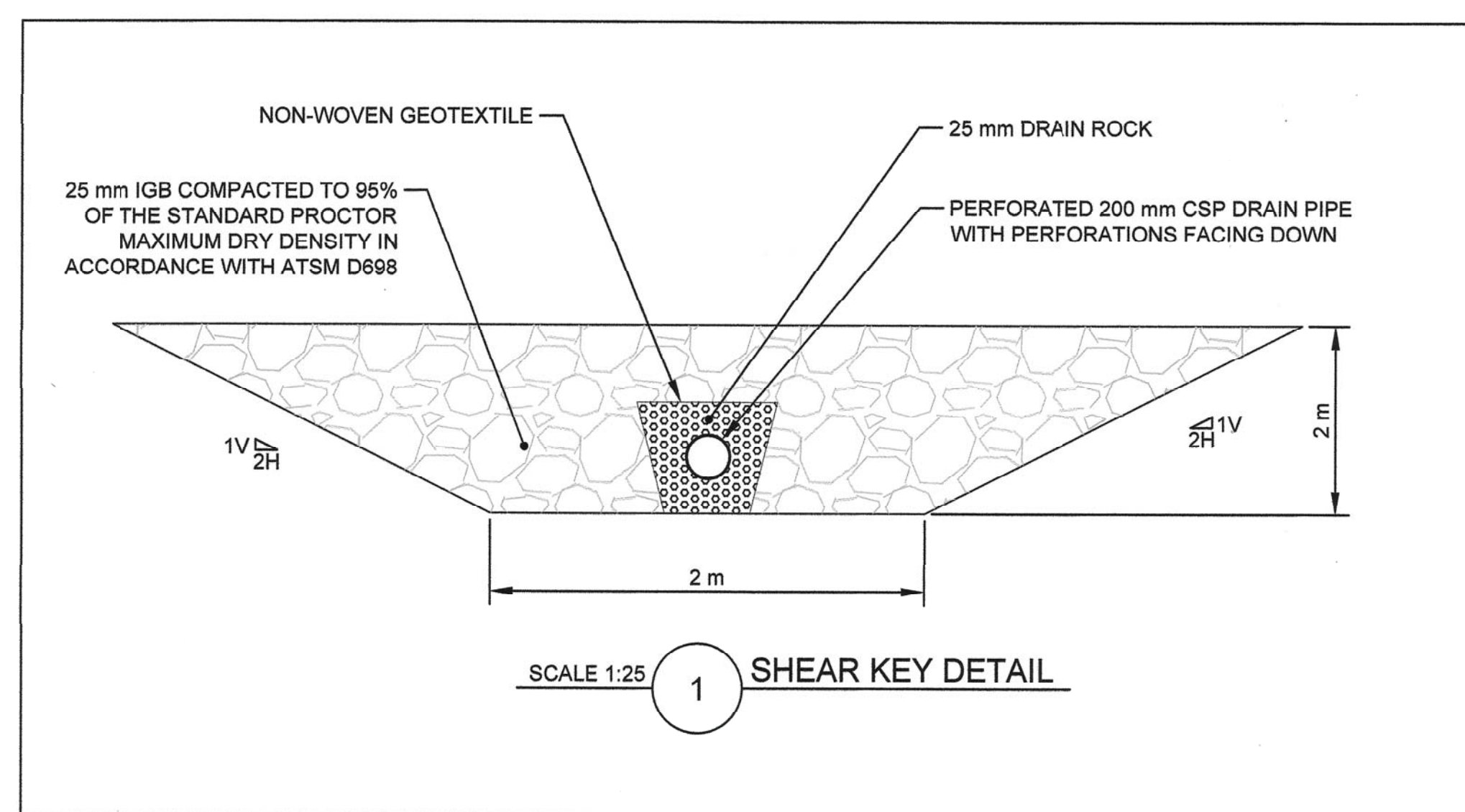


NOT FOR CONSTRUCTION

ISSUED FOR TENDER
NOT FOR CONSTRUCTION



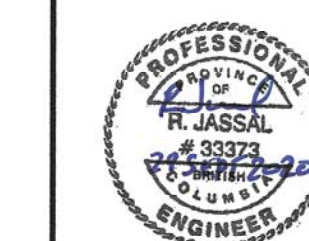
SCALE H. SCALE 1:100
VERT. SCALE 1:100
A TYPICAL SECTION
C101



SCALE 1:25
1 SHEAR KEY DETAIL

NOT FOR CONSTRUCTION

DISCLAIMER
THIS FIGURE IS INTENDED FOR CLIENT'S ONE TIME USE ONLY AND IT IS NOT INTENDED OR REPRESENTED BY GOLDER TO BE SUITABLE FOR REUSE BY ANY PARTY, INCLUDING, BUT NOT LIMITED TO, THE CLIENT, ITS EMPLOYEES, AGENTS, SUBCONTRACTORS OR SUBSEQUENT OWNERS ON ANY EXTENSION OF A SPECIFIC PROJECT OR FUTURE PROJECTS. WHETHER CLIENTS OR OTHERWISE, WITHOUT GOLDER'S PRIOR WRITTEN PERMISSION, ANY MANIPULATION, ADAPTATION, MODIFICATION, ALTERATION, MISUSE OR REUSE UNAUTHORIZED BY GOLDER WILL BE AT CLIENT'S SOLE RISK. GOLDER EXPRESSLY DISCLAIMS ALL LIABILITY AGAINST ALL THIRD PARTIES RESULTING FROM USING OR MAKING DECISIONS BASED ON THIS DRAWING. THIRD PARTIES DO SO AT THEIR OWN RISK, EXCEPT WHERE WRITTEN AGREEMENT STATES OTHERWISE, THIS DRAWING IS THE PROPERTY OF GOLDER.



NOTES
1. ALL UNITS DISPLAYED IN METRES UNLESS OTHERWISE NOTED.
2. GRID IS DISPLAYED IN NAD 83/UTM ZONE 11.
3. ELEVATIONS SHOWN IN METRES, DATUM: CGVD28.

REFERENCE
SURVEY PROVIDED BY VECTOR GEOMATICS LTD. TITLED: PROPOSED SKETCH OF PLAN SHOWING AS BUILT OF KM 155 OF ALASKA HIGHWAY B-47-J, 94-A-12 THROUGH UNSURVEYED CROWN LAND, PEACE RIVER DISTRICT BCGS: 84A.072, DATED 01JUN2020. FILENAME 2011999A8_RD.dwg. ORIGINAL SCALE 1:1,000.



Revision/Description	Description/Description	Date/Date
0	ISSUED FOR TENDER	2020-09-29
B	ISSUED FOR 100% DESIGN	2020-06-18
A	ISSUED FOR 90% DESIGN	2020-04-09

Client/client
PUBLIC SERVICES AND PROCUREMENT CANADA



Project title/Titre du projet
KM 155 SLOPE STABILIZATION ALASKA HIGHWAY, B.C.

Approved by/Approve par
--
Designed by/Concept par
R. JASSAL
Drawn by/Dessine par
J. FARAH
PSPC Project Manager/Administrateur de Projets SPAC
--
PSPC, Architectural and Engineering Resources Manager/
Ressources Architectural et de Directeur d'ingénierie, SPAC
--
Client/client
PSPC

Drawing title/Titre du dessin
SLOPE STABILIZATION CONCEPT - DETAIL AND TYPICAL SECTION

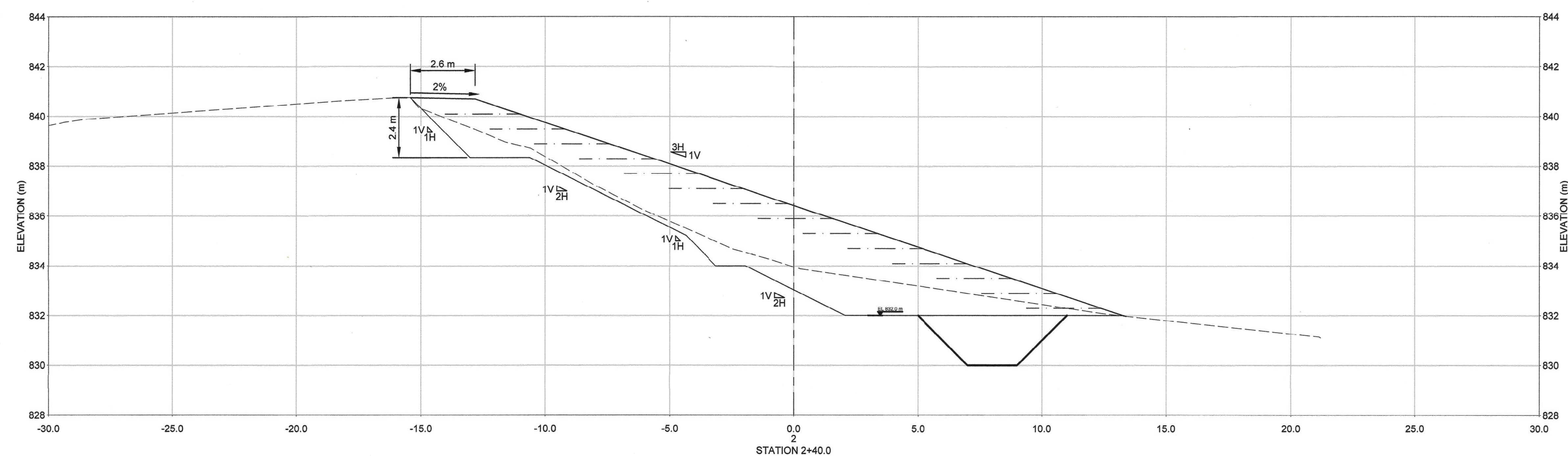
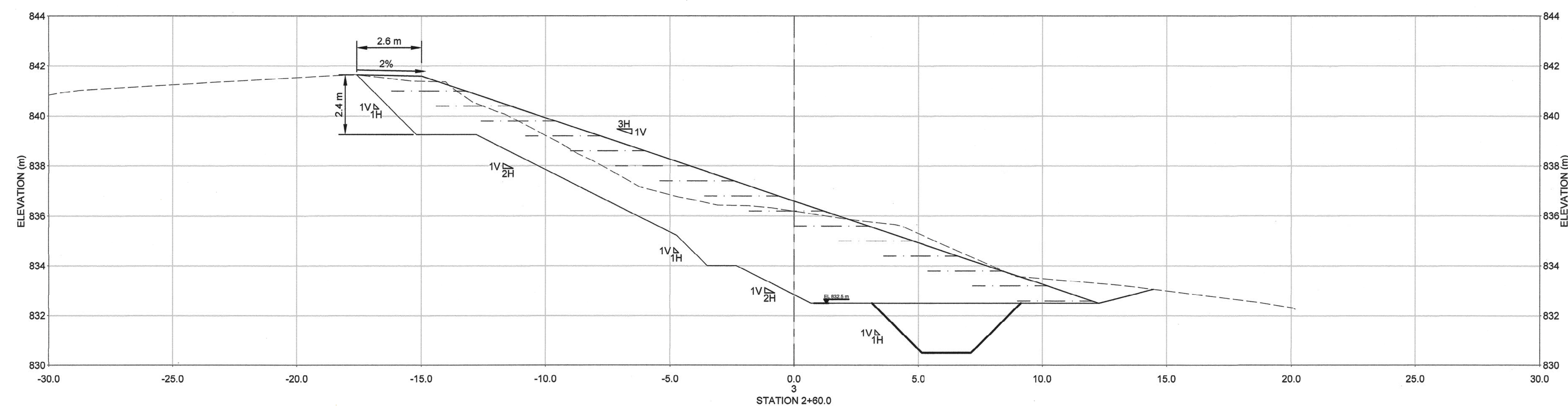
Project No./No. du projet	Sheet/Fauille	Revision no./La Révision no.
R.109901.002	C201	0



ISSUED FOR TENDER
NOT FOR CONSTRUCTION

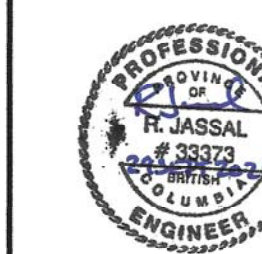
SOUTH

NORTH



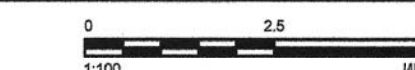
- LEGEND**
- ORIGINAL GROUND
 - TOP OF FINISHED SURFACE
 - · · · · BOTTOM OF BUTTRESS
 - SHEAR KEY
 - - - - - GEOGRID

DISCLAIMER
THIS FIGURE IS INTENDED FOR CLIENTS ONE TIME USE ONLY AND IT IS NOT INTENDED OR REPRESENTED BY GOLDBER TO BE SUITABLE FOR REUSE BY ANY PARTY, INCLUDING, BUT NOT LIMITED TO, THE CLIENT, ITS EMPLOYEES, AGENTS, SUBCONTRACTORS OR SUBSEQUENT OWNERS ON ANY EXTENSION OF A SPECIFIC PROJECT OR FUTURE PROJECTS, WHETHER CLIENTS OR OTHERWISE, WITHOUT GOLDBER'S PRIOR WRITTEN PERMISSION. ANY MANIPULATION, ADAPTATION, MODIFICATION, ALTERATION, MISUSE OR REUSE UNAUTHORIZED BY GOLDBER WILL BE AT CLIENTS SOLE RISK. GOLDBER EXPRESSLY DISCLAIMS ALL LIABILITY AGAINST ALL THIRD PARTIES RELYING USING OR MAKING DECISIONS BASED ON THIS DRAWING. THIRD PARTIES DO SO AT THEIR OWN RISK. EXCEPT WHERE WRITTEN AGREEMENT STATES OTHERWISE, THIS DRAWING IS THE PROPERTY OF GOLDBER.



- NOTES**
1. ALL UNITS DISPLAYED IN METRES UNLESS OTHERWISE NOTED.
 2. GRID IS DISPLAYED IN NAD 83/UTM ZONE 11.
 3. ELEVATIONS SHOWN IN METRES, DATUM: COVD28.

REFERENCE
SURVEY PROVIDED BY VECTOR GEOMATICS LTD. TITLED: PROPOSED SKETCH OF PLAN SHOWING AS BUILT OF KM 155 OF ALASKA HIGHWAY B-47-J, B4-A-12 THROUGH UNSURVEYED CROWN LAND, PEACE RIVER DISTRICT BCOS: 94A.072, DATED 01 JUN 2020. FILENAME 201198648_70.dwg. ORIGINAL SCALE 1:1,000.



Revision/	Description/Description	Date/Date
0	ISSUED FOR TENDER	2020-09-28
B	ISSUED FOR 100% DESIGN	2020-09-18
A	ISSUED FOR 95% DESIGN	2020-09-10

Client/client

**PUBLIC SERVICES AND
PROCUREMENT CANADA**



Project title/Titre du projet
**KM 155
SLOPE STABILIZATION
ALASKA HIGHWAY, B.C.**

Approved by/Approve par
--

Designed by/Concept par
R. JASSAL

Drawn by/Dessine par
J. FARAH

PSPC Project Manager/Administrateur de Projets SPAC
--

PSPC, Architectural and Engineering Resources Manager/
Ressources Architectural et de Directeur d'ingénierie, SPAC
--

Client/client
PSPC

Drawing title/Titre du dessin
**SLOPE STABILIZATION CONCEPT
- CROSS SECTIONS (1 of 2)**

Project No./No. du projet	Sheet/Feuille	Revision no./ La Revision no
R.109901.002	C202 5 OF 9	0

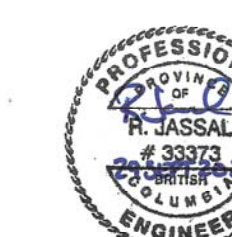
NOT FOR CONSTRUCTION



ISSUED FOR TENDER
NOT FOR CONSTRUCTION

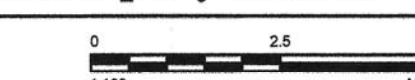
LEGEND
 - - - ORIGINAL GROUND
 — TOP OF FINISHED SURFACE
 — BOTTOM OF BUTTRESS
 — SHEAR KEY
 - - - GEOGRID

DISCLAIMER
 THIS FIGURE IS INTENDED FOR CLIENT'S ONE TIME USE ONLY AND IT IS NOT INTENDED OR REPRESENTED BY GOLDER TO BE SUITABLE FOR REUSE BY ANY PARTY, INCLUDING, BUT NOT LIMITED TO, THE CLIENT, ITS EMPLOYEES, AGENTS, SUBCONTRACTORS OR SUBSEQUENT OWNERS ON ANY EXTENSION OF A SPECIFIC PROJECT OR FUTURE PROJECTS, WHETHER CLIENTS OR OTHERWISE, WITHOUT GOLDER'S PRIOR WRITTEN PERMISSION. ANY MANIPULATION, ADAPTATION, MODIFICATION, ALTERATION, MISUSE OR REUSE UNAUTHORIZED BY GOLDER WILL BE AT CLIENT'S SOLE RISK. GOLDER EXPRESSLY DISCLAIMS ALL LIABILITY AGAINST ALL THIRD PARTIES RELYING, USING OR MAKING DECISIONS BASED ON THIS DRAWING. THIRD PARTIES DO SO AT THEIR OWN RISK. EXCEPT WHERE WRITTEN AGREEMENT STATES OTHERWISE, THIS DRAWING IS THE PROPERTY OF GOLDER.



NOTES
 1. ALL UNITS DISPLAYED IN METRES UNLESS OTHERWISE NOTED.
 2. GRID IS DISPLAYED IN NAD 83/UTM ZONE 11.
 3. ELEVATIONS SHOWN IN METRES, DATUM COVD28.

REFERENCE
 SURVEY PROVIDED BY VECTOR GEOMATICS LTD. TITLED: PROPOSED SKETCH OF PLAN SHOWING AS BUILT OF KM 155 OF ALASKA HIGHWAY B-47-J, B4-A-12 THROUGH UNSURVEYED CROWN LAND, PEACE RIVER DISTRICT BCOS: 94A.072, DATED 01/JUN/2020.
 FILENAME:20110626B_R0.dwg ORIGINAL SCALE 1:1,000.



Revision/	Description/Description	Date/Date
0	ISSUED FOR TENDER	2020-09-25
B	ISSUED FOR 100% DESIGN	2020-09-18
A	ISSUED FOR 99% DESIGN	2020-09-10

Client/client
PUBLIC SERVICES AND PROCUREMENT CANADA



Project title/Titre du projet
**KM 155
 SLOPE STABILIZATION
 ALASKA HIGHWAY, B.C.**

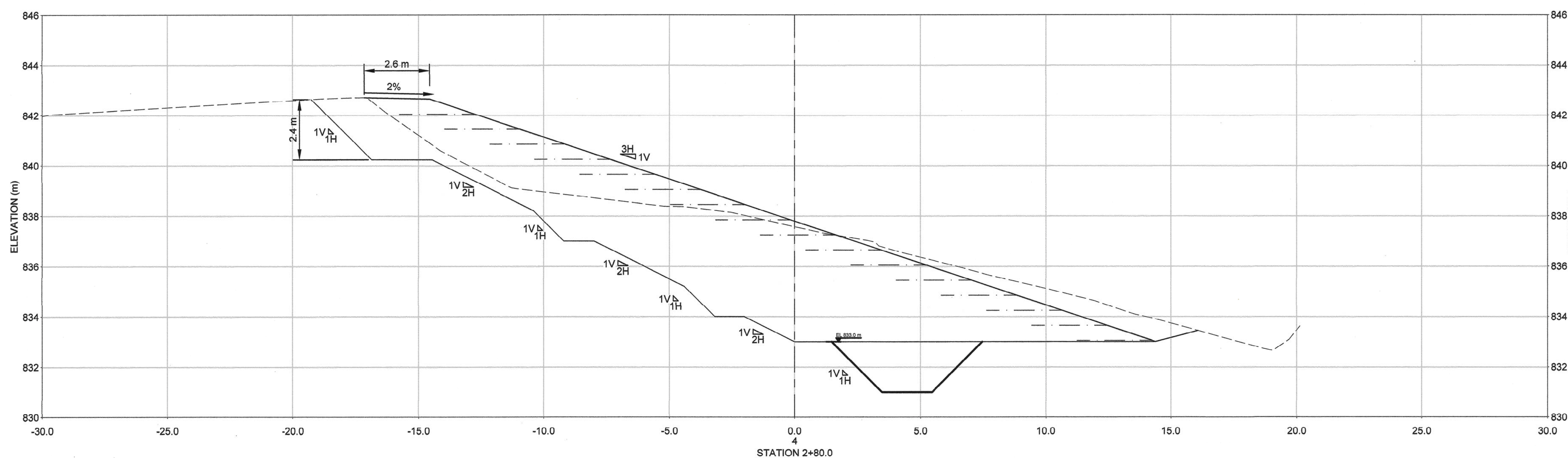
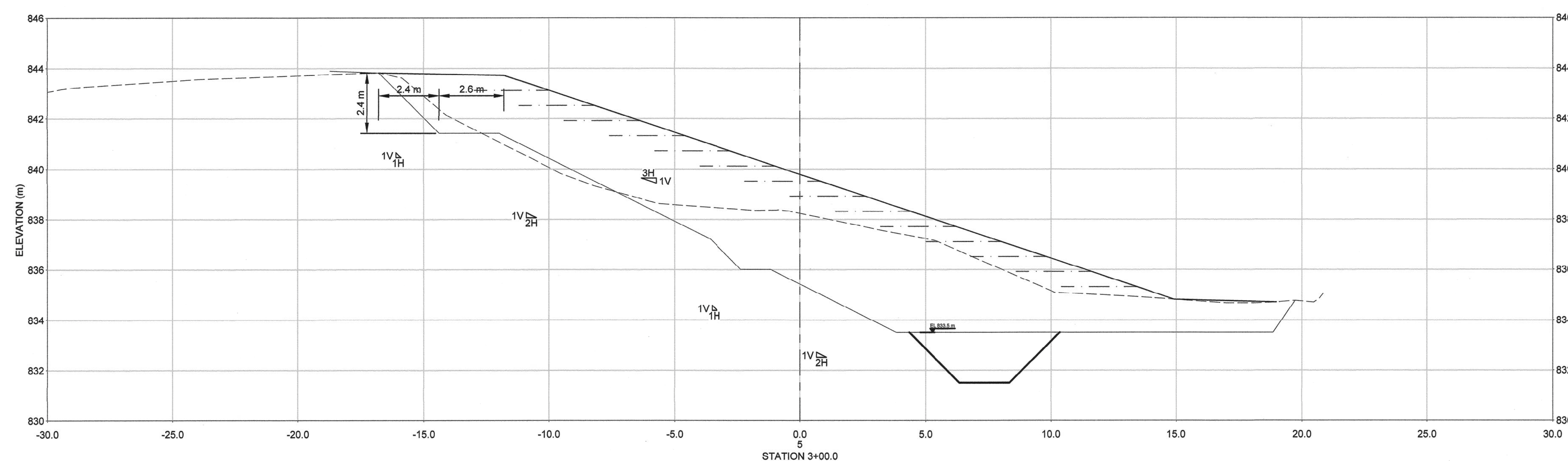
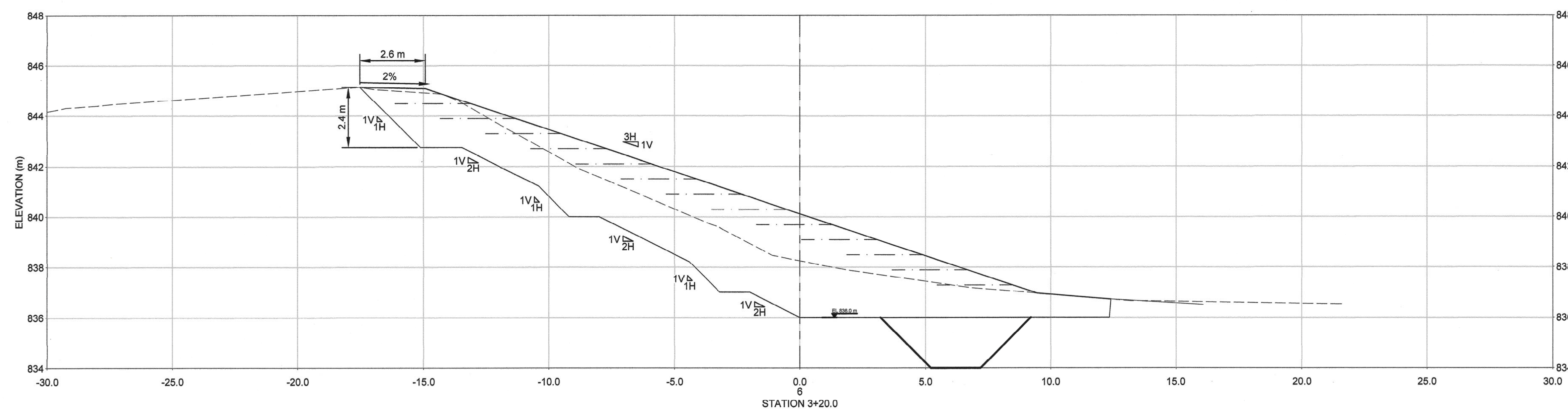
Approved by/Approve par
 --
 Designed by/Concept par
 R. JASSAL
 Drawn by/Dessine par
 J. FARAH
 PSPC Project Manager/Administrateur de Projets SPAC
 --
 PSPC, Architectural and Engineering Resources Manager/
 Ressources Architectural et de Directeur d'ingénierie, SPAC
 --
 Client/client
 PSPC

Drawing title/Titre du dessin
**SLOPE STABILIZATION CONCEPT
 - CROSS SECTIONS (2 of 2)**

Project No./No. du projet	Sheet/Feuille	Revision no./ La Revision no.
R.109901.002	C203 6 OF 9	0

SOUTH

NORTH



NOT FOR CONSTRUCTION



ISSUED FOR TENDER
NOT FOR CONSTRUCTION

LEGEND

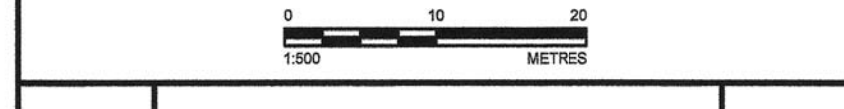
	EXISTING CONTOUR 1m MAJOR INTERVAL
	PROPOSED DESIGN CONTOUR 1m MAJOR INTERVAL
	ROADS
	TREELINES
	CUTBLOCKS
	POWER LINES
	CULVERT
	ROAD SIGN
	BOREHOLE LOCATION
	ROADWAY
	DITCH FOOTPRINT

DISCLAIMER
THIS FIGURE IS INTENDED FOR CLIENTS ONE TIME USE ONLY AND IT IS NOT INTENDED OR REPRESENTED BY GOLDBER TO BE SUITABLE FOR REUSE BY ANY PARTY, INCLUDING, BUT NOT LIMITED TO, THE CLIENT, ITS EMPLOYEES, AGENTS, SUBCONTRACTORS OR SUBSEQUENT OWNERS ON ANY EXTENSION OF A SPECIFIC PROJECT OR FUTURE PROJECTS, WHETHER CLIENTS OR OTHERWISE, WITHOUT GOLDBER'S PRIOR WRITTEN PERMISSION. ANY MANIPULATION, ADAPTATION, MODIFICATION, ALTERATION, MISUSE OR REUSE UNAUTHORIZED BY GOLDBER WILL BE AT CLIENTS SOLE RISK. GOLDBER EXPRESSLY DISCLAIMS ALL LIABILITY AGAINST ALL THIRD PARTIES RELYING USING OR MAKING DECISIONS BASED ON THIS DRAWING. THIRD PARTIES DO SO AT THEIR OWN RISK. EXCEPT WHERE WRITTEN AGREEMENT STATES OTHERWISE, THIS DRAWING IS THE PROPERTY OF GOLDBER.



- NOTES**
- ALL UNITS DISPLAYED IN METRES UNLESS OTHERWISE NOTED.
 - GRID IS DISPLAYED IN NAD 83 UTM ZONE 11.
 - ELEVATIONS SHOWN IN METRES, DATUM: CGVD28.

REFERENCE
SURVEY PROVIDED BY VECTOR GEOMATICS LTD. TITLED: PROPOSED SKETCH OF PLAN SHOWING AS BUILT OF KM 155 OF ALASKA HIGHWAY B-47-J, 84-A-12 THROUGH UNSURVEYED CROWN LAND, PEACE RIVER DISTRICT BCOS: 84-072, DATED 01 JUN 2020. FILENAME: 201199643_R0.dwg, ORIGINAL SCALE 1:1,000.



Revision/	Description/Description	Date/Date
D	ISSUED FOR TENDER	2020-09-28
B	ISSUED FOR 100% DESIGN	2020-09-18
A	ISSUED FOR 65% DESIGN	2020-09-10

Client/client
PUBLIC SERVICES AND PROCUREMENT CANADA



Project title/Titre du projet
**KM 155
SLOPE STABILIZATION
ALASKA HIGHWAY, B.C.**

Approved by/Approve par
-

Designed by/Concept par
R. JASSAL

Drawn by/Designe par
J. FARAH

PSPC Project Manager/Administrateur de Projets SPAC
-

PSPC, Architectural and Engineering Resources Manager/
Ressource Architectural et de Directeur d'ingénierie, SPAC
-

Client/client
PSPC

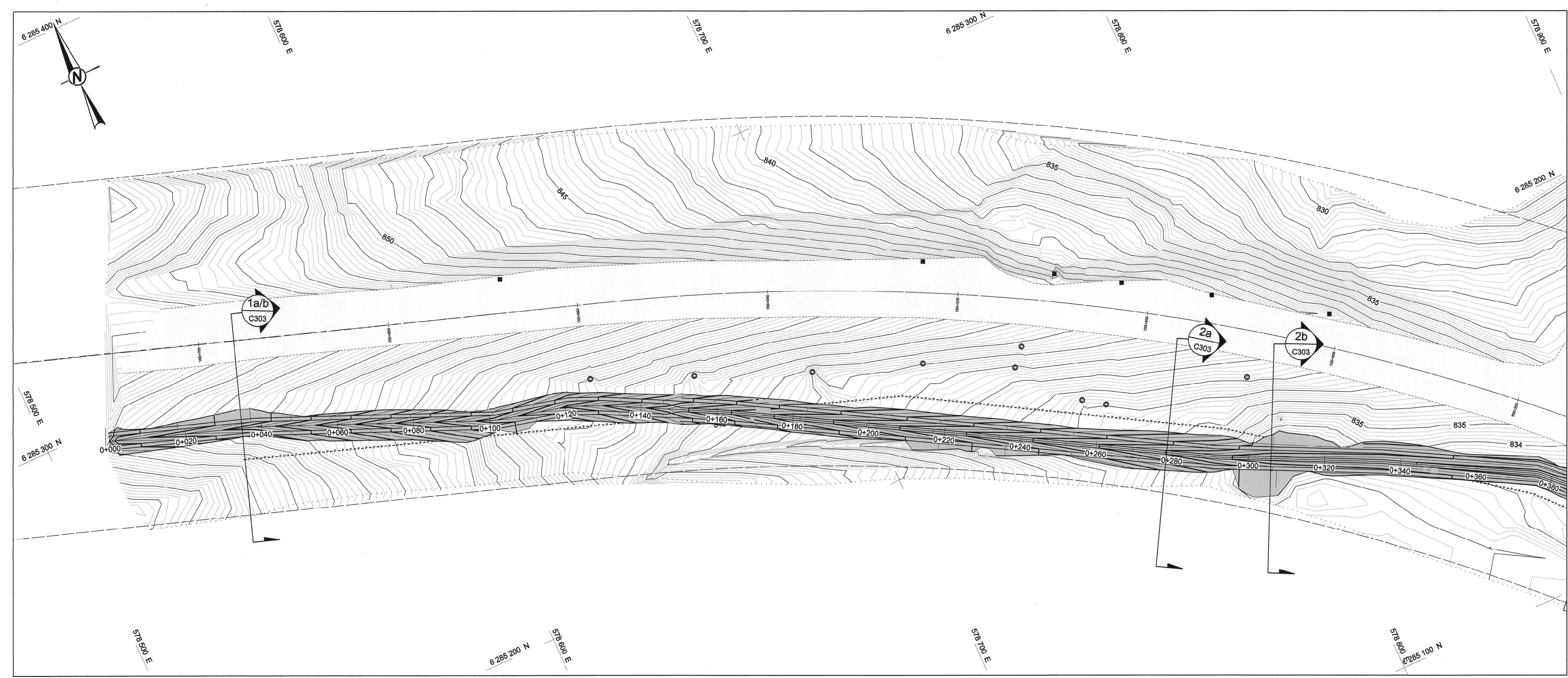
Drawing title/Titre du dessin
**ROADSIDE DITCH
- PLAN AND PROFILE VIEW (1 of 2)**

Project No./No. du projet
R.109901.002

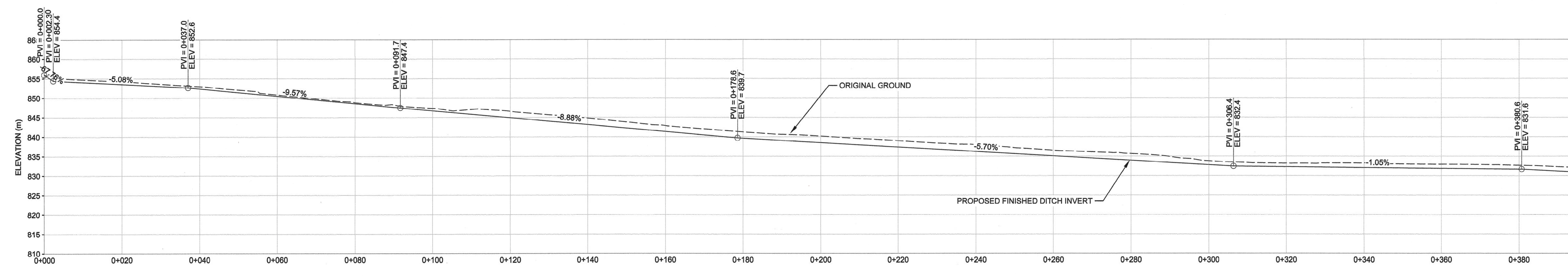
Sheet/Feuille
C301

Revision no./
La Revision
no.
0

7 OF 9



PLAN
SCALE 1:500



PROFILE
SCALE 1:500

NOT FOR CONSTRUCTION



ISSUED FOR TENDER
NOT FOR CONSTRUCTION

LEGEND

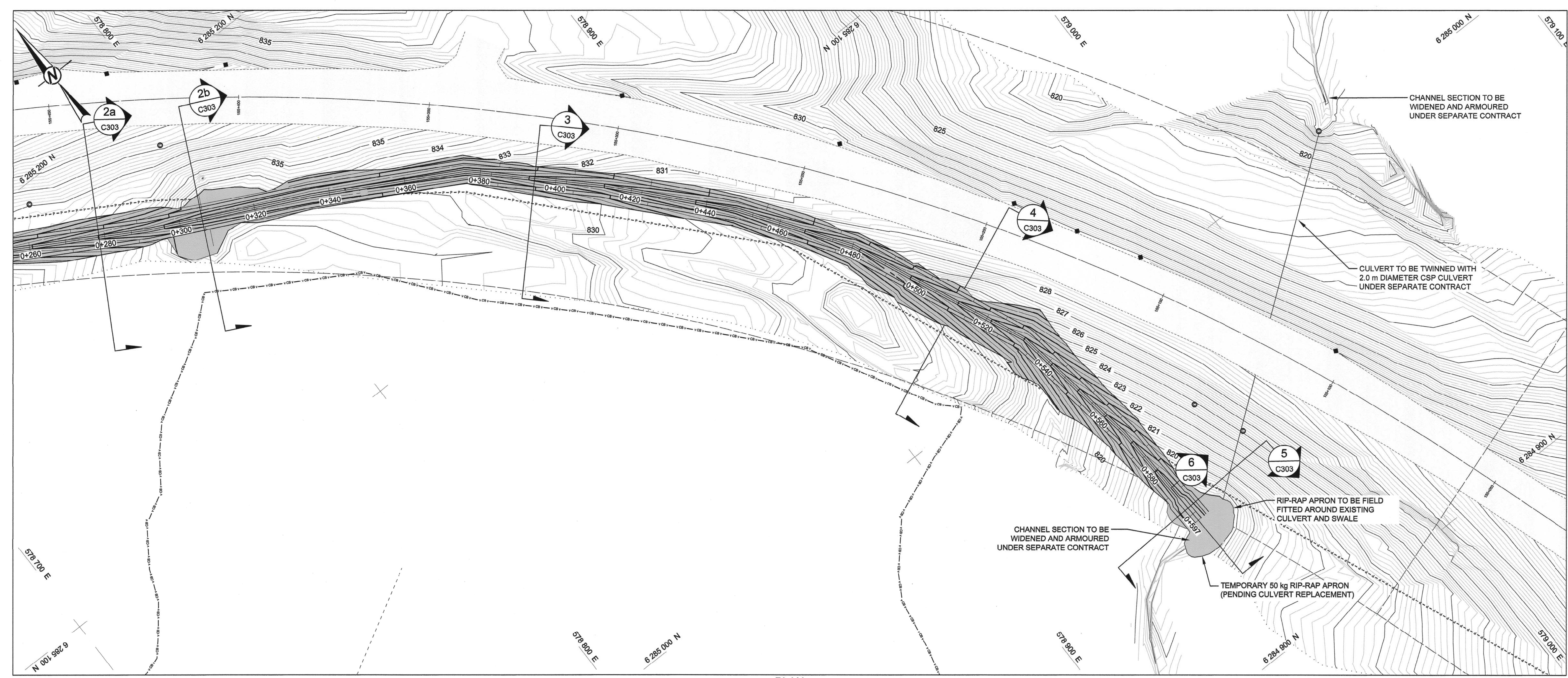
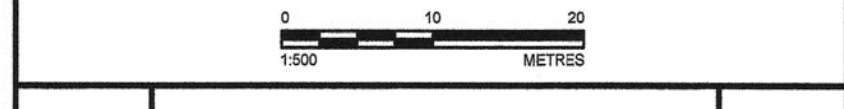
	EXISTING CONTOUR 1m MAJOR INTERVAL
	PROPOSED DESIGN CONTOUR 1m MAJOR INTERVAL
	ROADS
	TREELINES
	CUTBLOCKS
	POWER LINES
	CULVERT
	ROAD SIGN
	ROADWAY
	DITCH FOOTPRINT

DISCLAIMER
THIS FIGURE IS INTENDED FOR CLIENTS ONE TIME USE ONLY AND IT IS NOT INTENDED OR REPRESENTED BY GOLDER TO BE SUITABLE FOR REUSE BY ANY PARTY, INCLUDING, BUT NOT LIMITED TO, THE CLIENT, ITS EMPLOYEES, AGENTS, SUBCONTRACTORS OR SUCCESSOR OWNERS ON ANY EXTENSION OF A SPECIFIC PROJECT OR FUTURE PROJECTS, WHETHER CLIENTS OR OTHERWISE. WITHOUT GOLDER'S PRIOR WRITTEN PERMISSION, ANY MANIPULATION, ADAPTATION, MODIFICATION, ALTERATION, MISUSE OR REUSE UNAUTHORIZED BY GOLDER WILL BE AT CLIENTS SOLE RISK. GOLDER EXPRESSLY DISCLAIMS ALL LIABILITY AGAINST ALL THIRD PARTIES RELYING USING OR MAKING DECISIONS BASED ON THIS DRAWING. THIRD PARTIES DO SO AT THEIR OWN RISK, EXCEPT WHERE WRITTEN AGREEMENT STATES OTHERWISE, THIS DRAWING IS THE PROPERTY OF GOLDER.

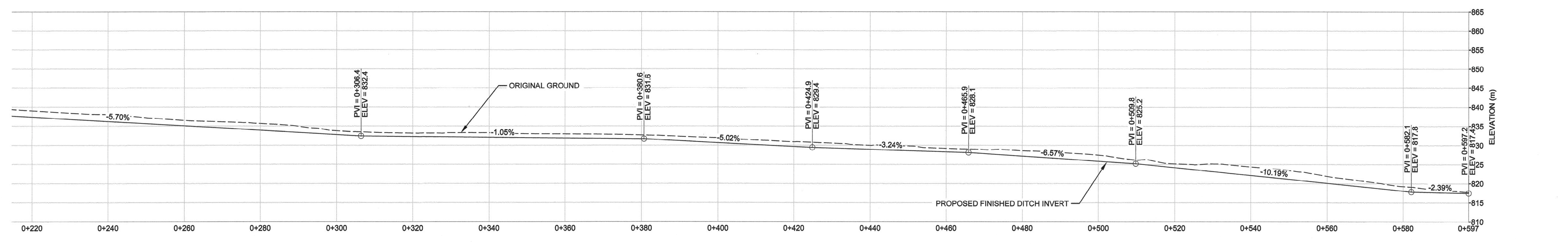


- NOTES**
- ALL UNITS DISPLAYED IN METRES UNLESS OTHERWISE NOTED.
 - GRID IS DISPLAYED IN NAD 83 UTM ZONE 11.
 - ELEVATIONS SHOWN IN METRES, DATUM: COVD28.

REFERENCE
SURVEY PROVIDED BY VECTOR GEOMATICS LTD. TITLED: PROPOSED SKETCH OF PLAN SHOWING AS BUILT OF KM 155 OF ALASKA HIGHWAY B-47-J, 84-A-12 THROUGH UNSURVEYED CROWN LAND, PEACE RIVER DISTRICT BCOS: 94A.072, DATED 01/JUN/2020. FILENAME: 20119849_70.dwg, ORIGINAL SCALE 1:1,000.



PLAN
SCALE 1:500 m



PROFILE
SCALE 1:500 m

NOT FOR CONSTRUCTION

0	ISSUED FOR TENDER	2020-09-29
B	ISSUED FOR 100% DESIGN	2020-09-18
A	ISSUED FOR 95% DESIGN	2020-09-10
Revision/	Description/Description	Date/Date
Revision		

Client/client
PUBLIC SERVICES AND PROCUREMENT CANADA



Project title/Titre du projet
**KM 155
SLOPE STABILIZATION
ALASKA HIGHWAY, B.C.**

Approved by/Approve par
--

Designed by/Concept par
R. JASSAL

Drawn by/Dessine par
J. FARAH

PSPC Project Manager/Administrateur de Projets SPAC
--

PSPC, Architectural and Engineering Resources Manager/
Ressources Architectural et de Directeur d'Ingénierie, SPAC
--

Client/client
PSPC

Drawing title/Titre du dessin
**ROADSIDE DITCH
- PLAN AND PROFILE VIEW (2 of 2)**

Project No./No. du projet R.109901.002	Sheet/Feuille C302	Revision no./ La Révision no 0
8 OF 9		



ISSUED FOR TENDER
NOT FOR CONSTRUCTION

LEGEND

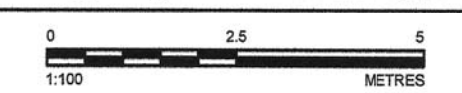
	EXISTING GROUND
	RIP-RAP
	GEOTEXTILE

DISCLAIMER
THIS FIGURE IS INTENDED FOR CLIENTS ONE TIME USE ONLY AND IT IS NOT INTENDED OR REPRESENTED BY GOLDER TO BE SUITABLE FOR REUSE BY ANY PARTY, INCLUDING, BUT NOT LIMITED TO, THE CLIENT, ITS EMPLOYEES, AGENTS, SUBCONTRACTORS OR SUBSEQUENT OWNERS ON ANY EXTENSION OF A SPECIFIC PROJECT OR FUTURE PROJECTS, WHETHER CLIENTS OR OTHERWISE, WITHOUT GOLDER'S PRIOR WRITTEN PERMISSION. ANY MANIPULATION, ADAPTATION, MODIFICATION, ALTERATION, MISUSE OR REUSE UNAUTHORIZED BY GOLDER WILL BE AT CLIENT'S SOLE RISK. GOLDER EXPRESSLY DISCLAIMS ALL LIABILITY AGAINST ALL THIRD PARTIES RELYING, USING OR MAKING DECISIONS BASED ON THIS DRAWING. THIRD PARTIES DO SO AT THEIR OWN RISK, EXCEPT WHERE WRITTEN AGREEMENT STATES OTHERWISE, THIS DRAWING IS THE PROPERTY OF GOLDER.



- NOTES**
- ALL UNITS DISPLAYED IN METRES UNLESS OTHERWISE NOTED.
 - GRID IS DISPLAYED IN NAD 83 UTM ZONE 11.
 - ELEVATIONS SHOWN IN METRES, DATUM: CGVD28.

REFERENCE
SURVEY PROVIDED BY VECTOR GEOMATICS LTD. TITLED: PROPOSED SKETCH OF PLAN SHOWING AS BUILT OF KM 155 OF ALASKA HIGHWAY B-47-J, 94-A-12 THROUGH UNSURVEYED CROWN LAND, PEACE RIVER DISTRICT BCOS: 64A.072, DATED 01 JUN 2020. FILENAME 2011956A9_R0.dwg, ORIGINAL SCALE 1:1,000.



Revision/Description	Description/Description	Date/Date
0	ISSUED FOR TENDER	2020-09-25
B	ISSUED FOR 100% DESIGN	2020-09-18
A	ISSUED FOR 90% DESIGN	2020-09-10

Client/client: PUBLIC SERVICES AND PROCUREMENT CANADA

PUBLIC SERVICES AND PROCUREMENT CANADA



Project title/Titre du projet: **KM 155 SLOPE STABILIZATION ALASKA HIGHWAY, B.C.**

Approved by/Approve par: --

Designed by/Concept par: R. JASSAL

Drawn by/Dessiné par: J. FARAH

PSPC Project Manager/Administrateur de Projets SPAC: --

PSPC Architectural and Engineering Resources Manager/ Ressources Architectural et de Directeur d'ingénierie, SPAC: --

Client/client: PSPC

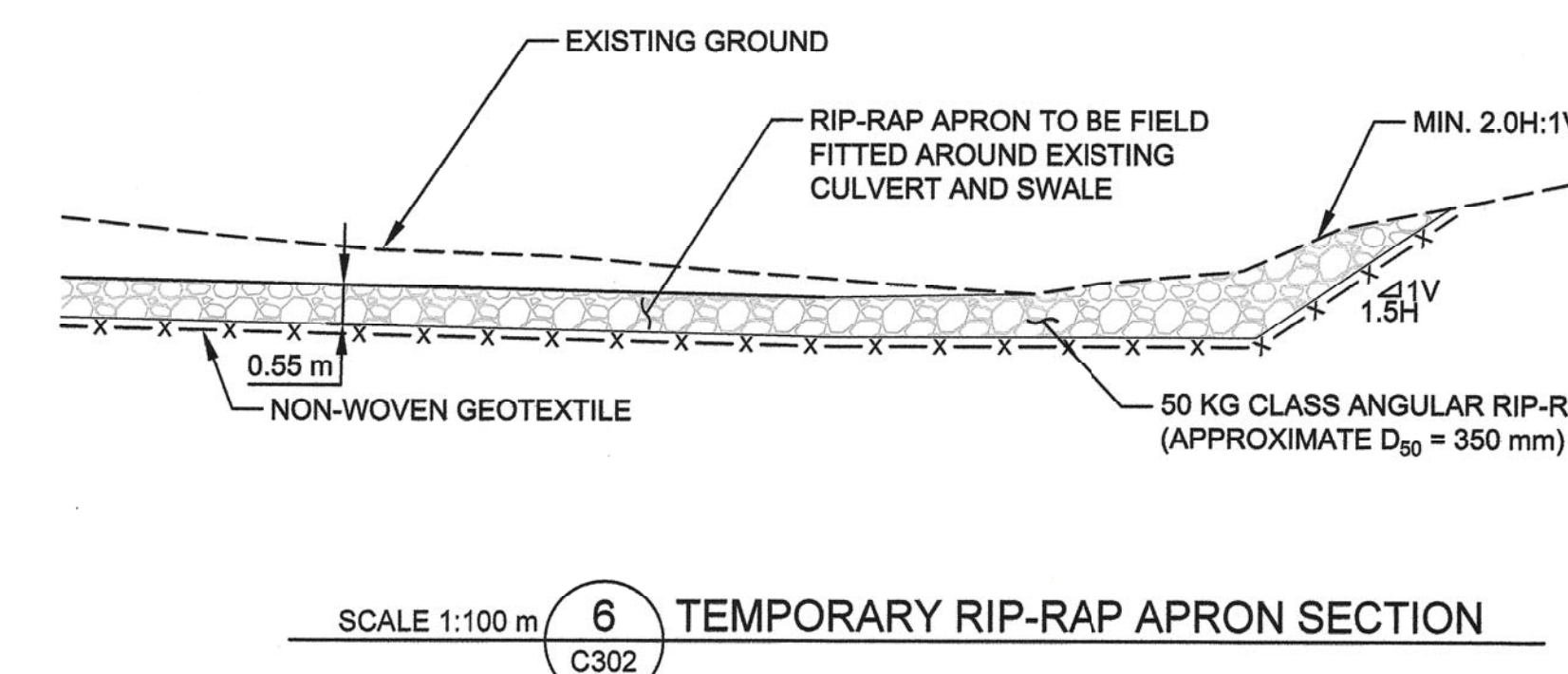
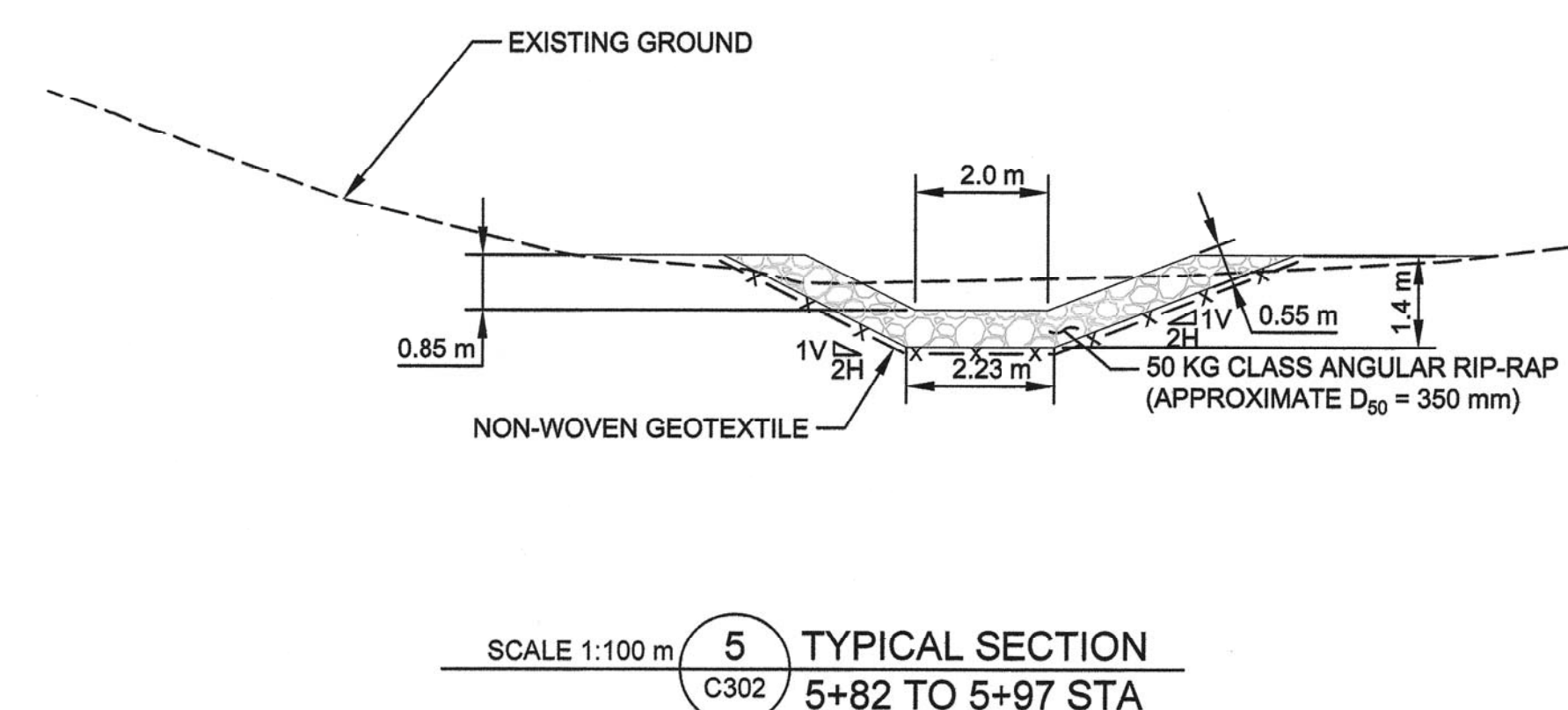
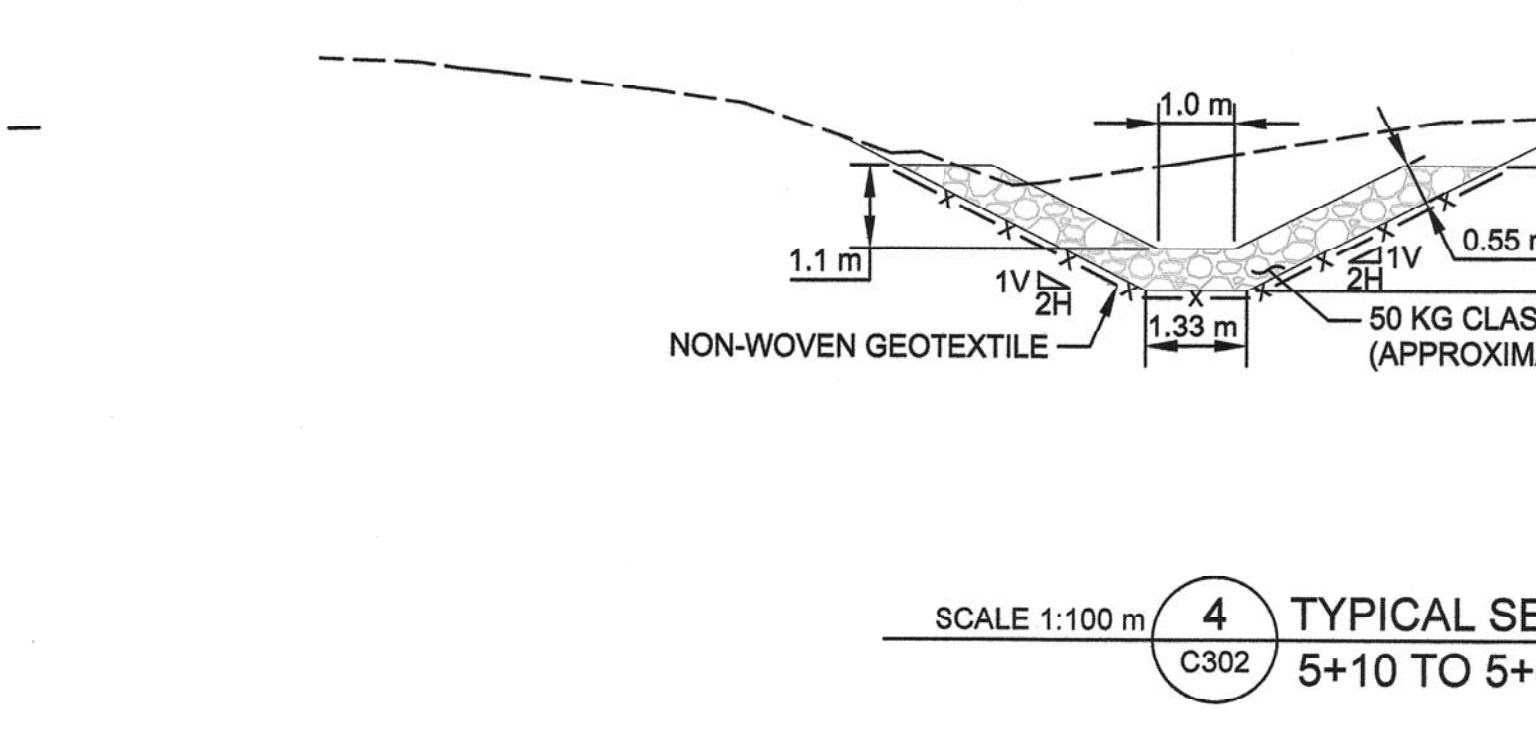
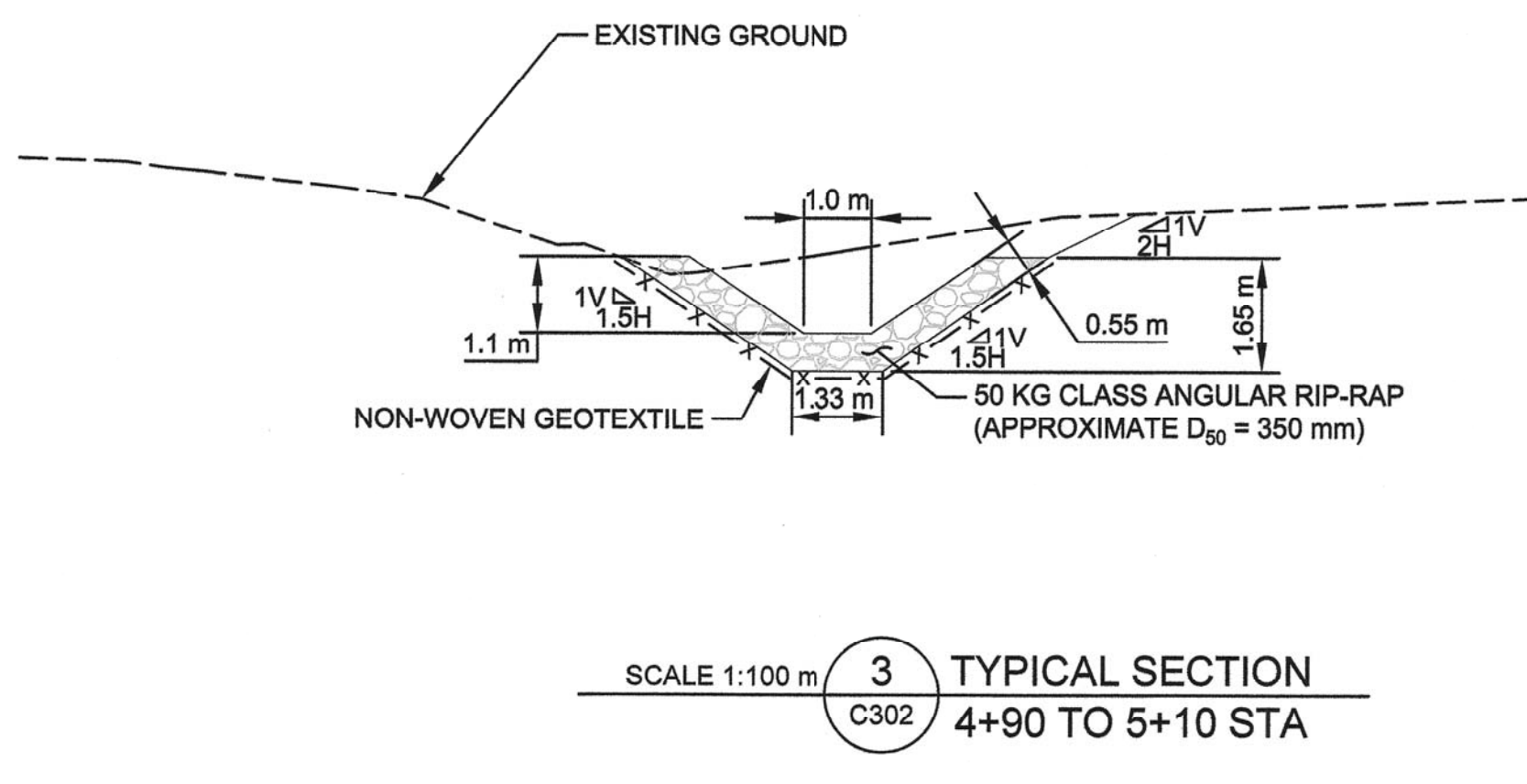
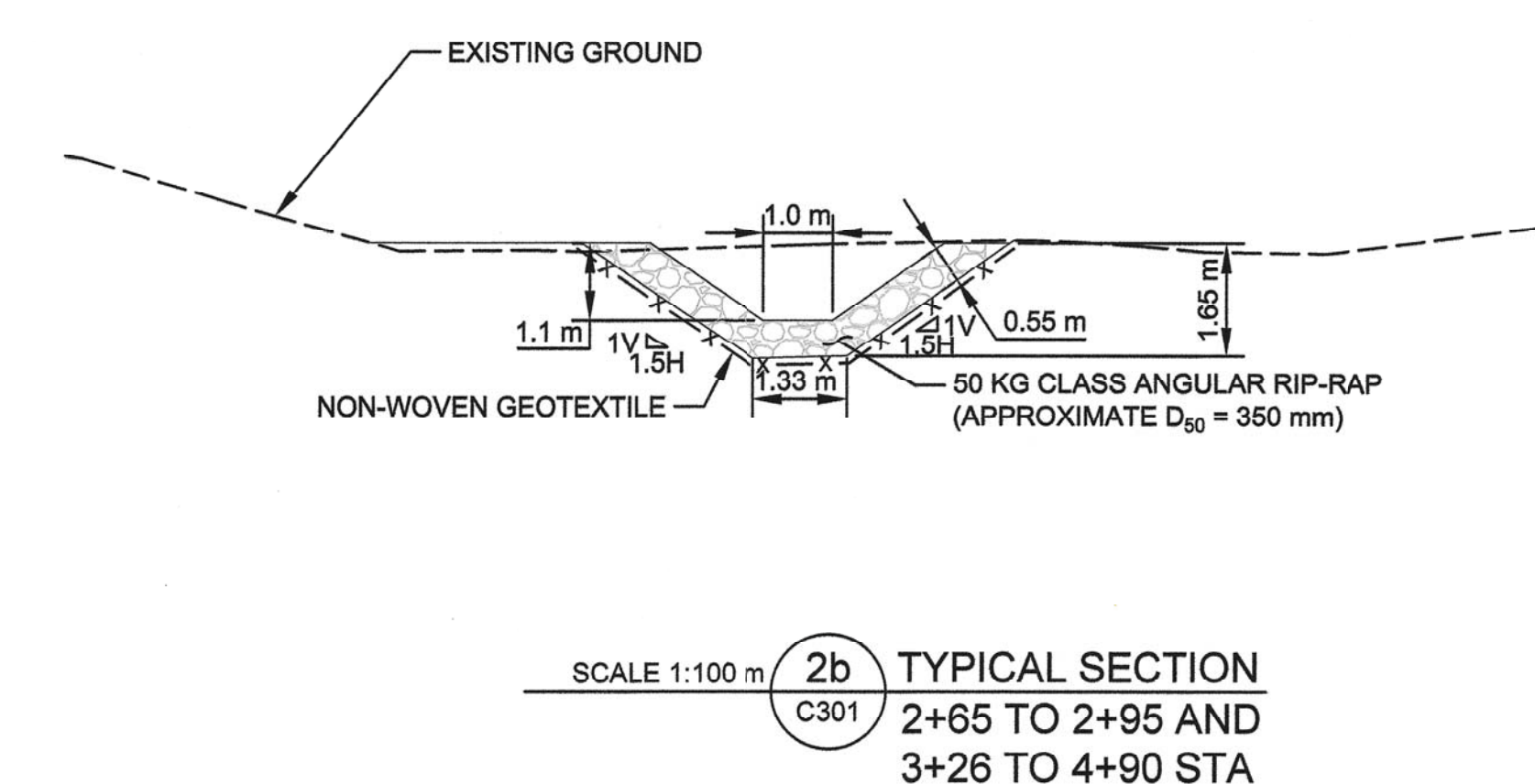
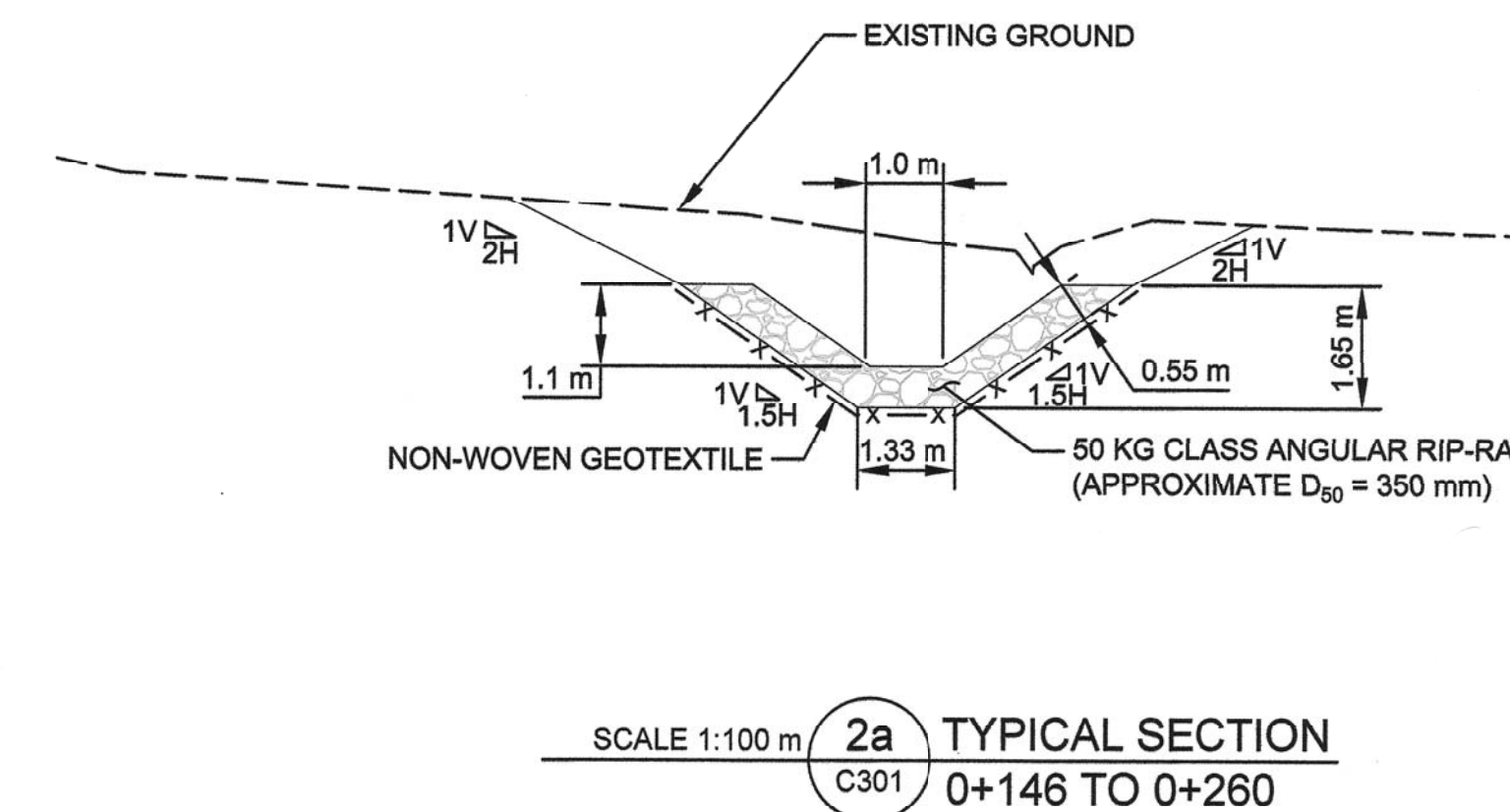
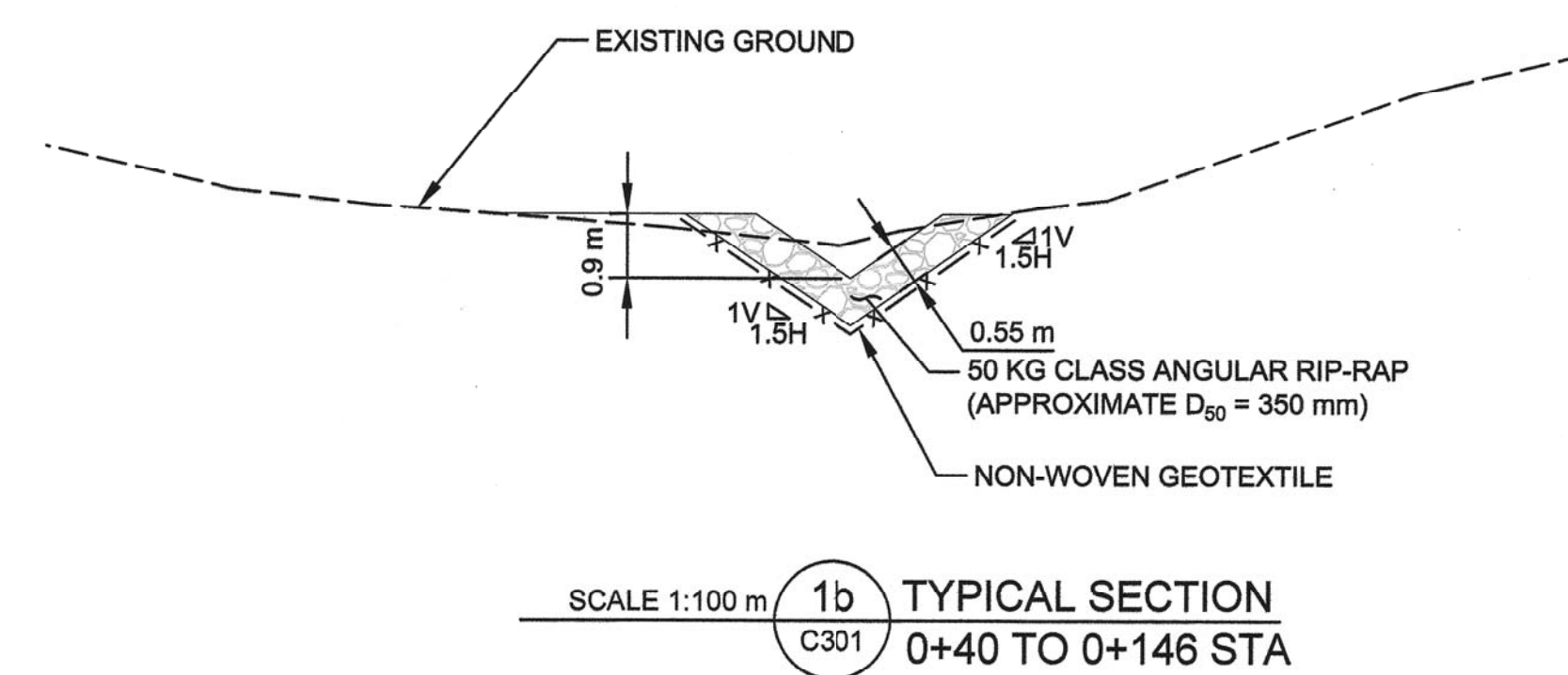
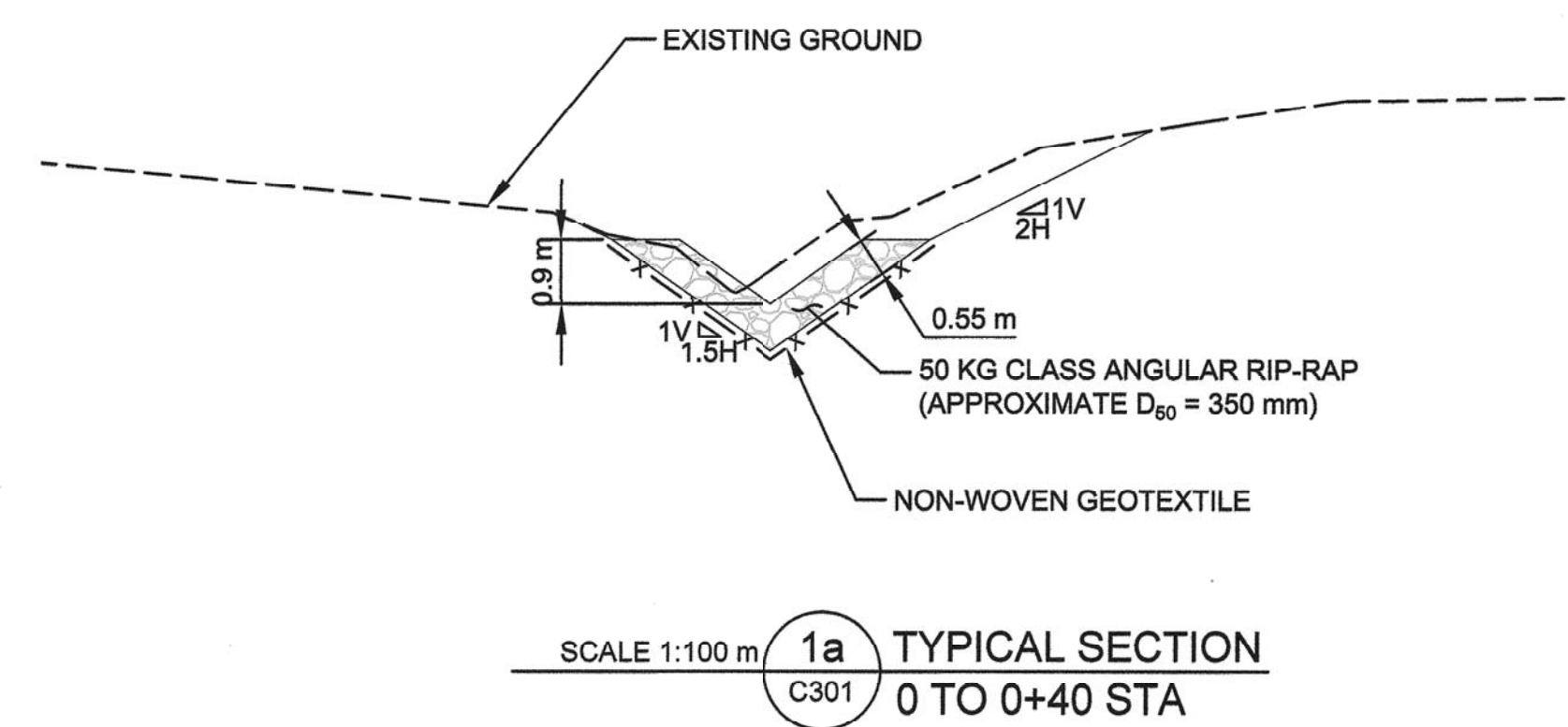
Drawing title/Titre du dessin: **ROADSIDE DITCH - TYPICAL SECTIONS**

Project No./No. du projet: R.109901.002

Sheet/Feuille: **C303**

Revision no./La Révision: **0**

9 OF 9



NOT FOR CONSTRUCTION

