



### B-3 TYPICAL BENCHING

#### CATEGORY 2

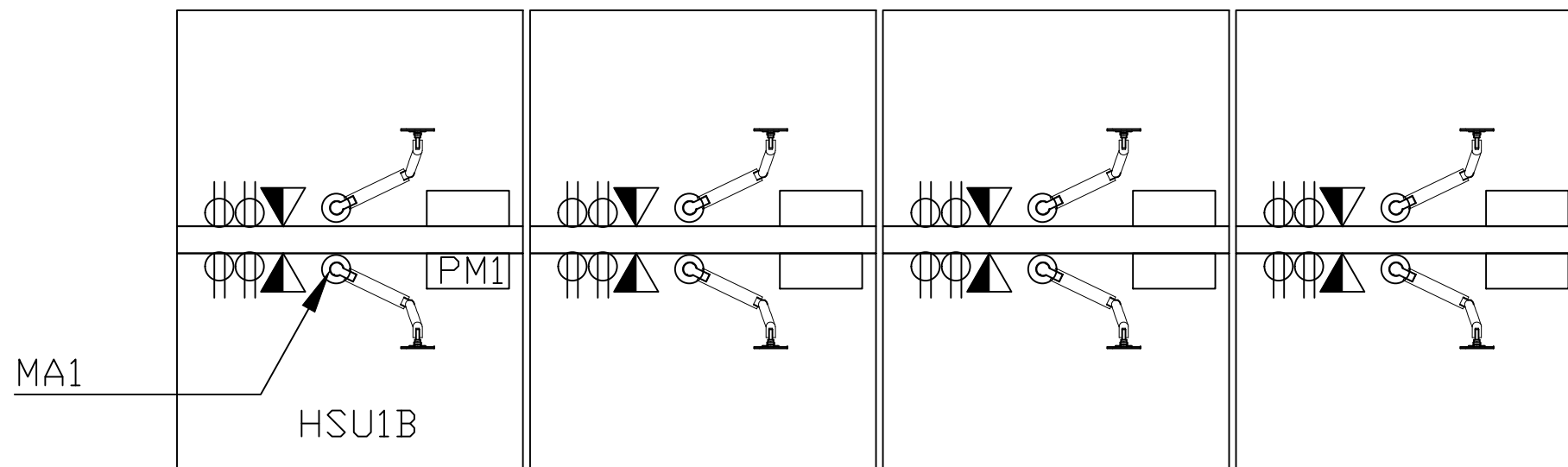
HSU 1 B 1219 (48) X 762 (30)  
(X4)

MODULAR HEIGHT ADJUSTABLE BENCHING,  
4 SURFACES LONG, RECTANGULAR,  
LAMINATE, ELECTRIC, C/W FABRIC  
PRIVACY SCREEN

#### CATEGORY 5

MA1 MONITOR ARM, SINGLE MONITOR,  
CLAMP MOUNT

PM1 DESK TOP POWER MODULE



B-3

**8' Power Poles**

		Location		9 MONTCLAIR HUB - 2ND FLOOR - B-3 TYPICAL BENCHING		Approval:		Date:	
								2020-12-15	
		Project Name		9 MONTCLAIR HUB - 2ND FLOOR - GATINEAU - QUEBEC		Drawn by:		Scale:	
						Louise Durivage		NTS	
No.	Description	Date							Page:
									1/1