

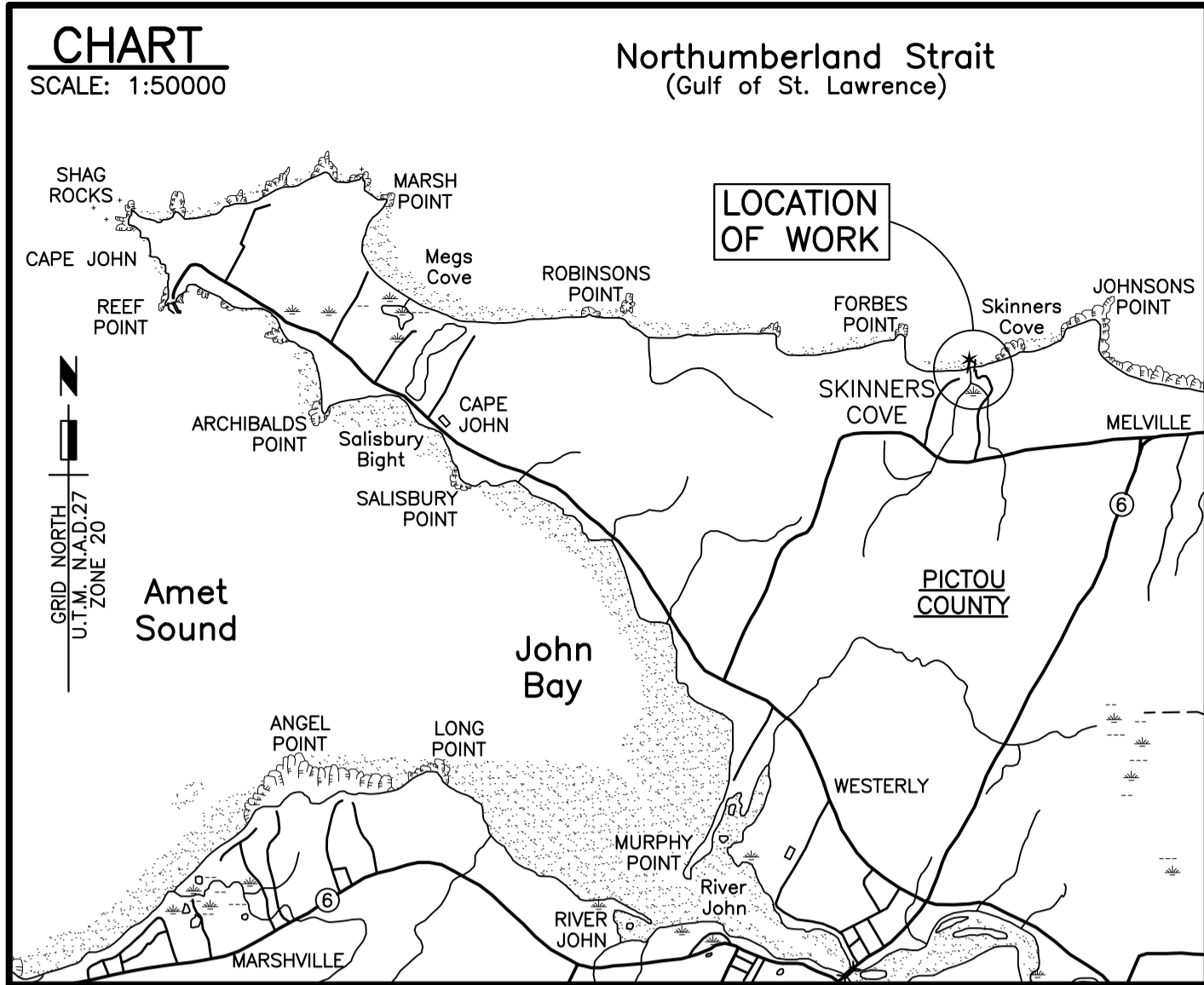
Fisheries and Oceans
Canada

Pêches et Océans
Canada

**SKINNER'S COVE HARBOUR DEVELOPMENT
SERVICE AREA IMPROVEMENTS
SKINNER'S COVE
NOVA SCOTIA**

PROJECT NO. 723 266

Canada



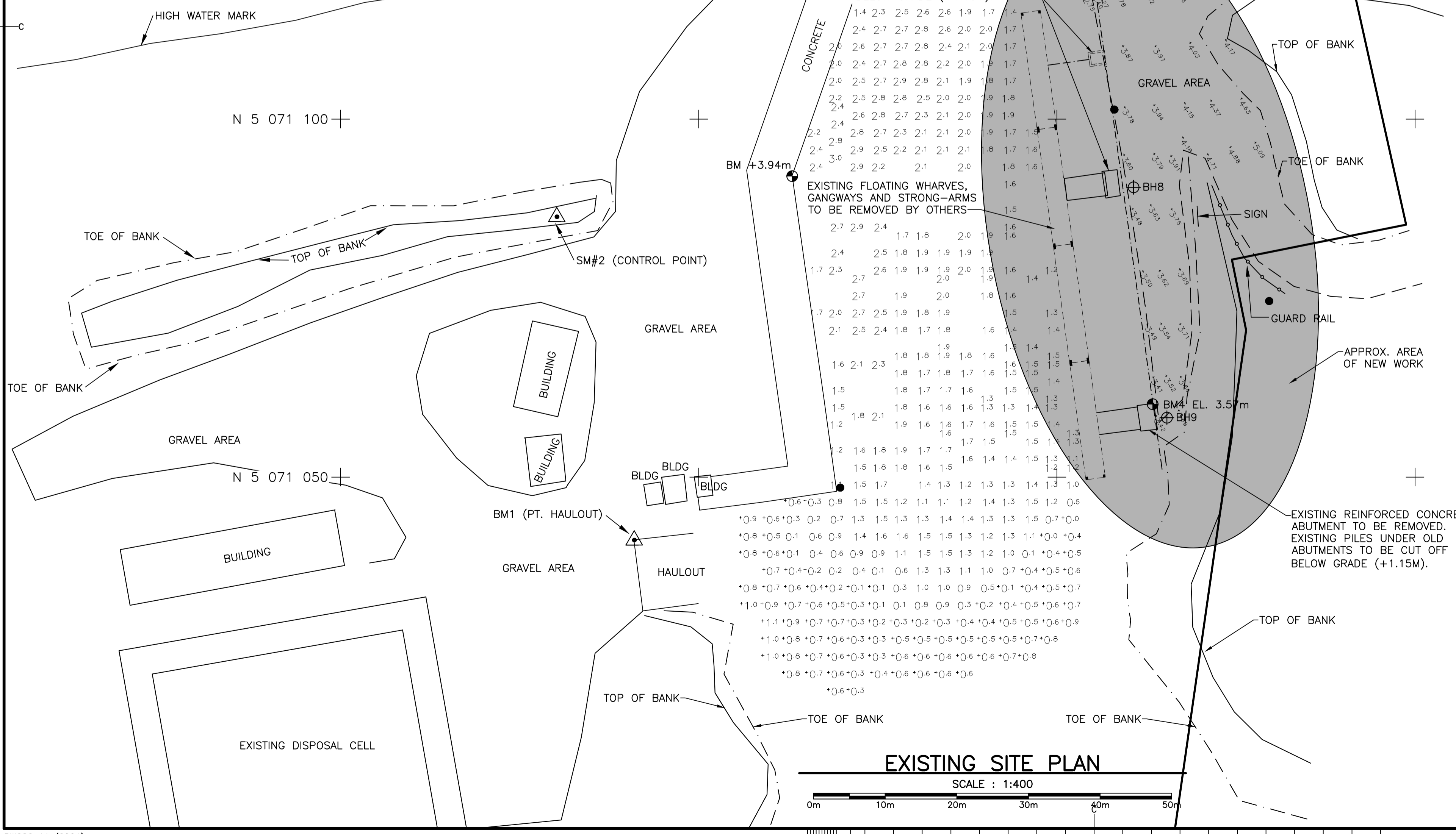
SURVEY INFORMATION

SURVEYORS: D. GREEN
 SURVEY VESSEL: SCOTIA SURVEYOR
 SURVEY DATE(S): DECEMBER 5, 2019
 LAND SURVEY POSITION BY: TRIMBLE GPS 5700 (RTK)
 RAW DATA FILE(S): SKC339.ZIP
 CAD DRAWING FILE(S): SKC339A.DWG
 TIDAL REDUCTION SCHEME: PWC BM 1, NORTHWEST CORNER OF LAUNCH RAMP, ELEV. 2.75m.

OFFICE PROCESSOR: DAVID MELANSON
 DATE OF PROCESSING: DECEMBER 24 & 27, 2019

CONTROL POINTS (UTM NAD83 Zone 20):

PL NAME	EASTING	NORTHING	C.D. ELEV.	DESCRIPTION
6661	497448.525	5070541.933		N.S. CONTROL
SM2	496480.190	5071086.338	4.91	PWGS CONTROL - IRON BAR IN DUNE ON WEST SIDE
1-1979			5.18	CHS BENCHMARK
BM1	496490.996	5071041.184	2.75	PWGS CONTROL - TOP CORNER OF CONCRETE SLIPWAY
BM2	496558.808	5071092.824	3.56	PWGS CONTROL - DRILL HOLE ON CORNER OF CONCRETE ABUTMENT
BM4	496563.360	5071060.172	3.57	PWGS CONTROL - DRILL HOLE IN SOUTHERN MOST ABUTMENT
BM	496513.034	5071092.026	3.94	PWGS TBM - TOP OF CONCRETE CURB



Stantec BOREHOLE RECORD BH7

CLIENT: FISHERIES AND OCEANS CANADA PROJECT No. 121622964
 LOCATION: SKINNERS COVE WHARF, PICTOU COUNTY, NOVA SCOTIA BH SIZE: HW
 DATES BORING: 2019/11/04 WATER LEVEL: CHART DATUM: CHART

DEPTH (m)	ELEVATION (m)	SOIL DESCRIPTION	STRATA FACT	WATER LEVEL	SAMPLES	UNSATURATED SEAR STRENGTH (kPa)
					NUMBER	
					TYPE	
					RECOVERY	
					VALUE	
					OR	
					OTHER	
					TESTS	
0	3.74	FILL: brown sand with silt			SS 1 500 9	
1					SS 2 475 10	
1.81		Firm to very stiff brown CLAY to CLAY with sand			SS 3 450 3	
2					SS 4 475 8	
3					SS 5 500 13	
4					SS 6 300 16	
4.83		Fractured to sound moderately weathered brown mudstone: BEDROCK			SS 7 575 81	
5					HQ 8 100% RQD 89%	
6					HQ 9 100% 67%	
7					HQ 10 100% 64%	
8					HQ 11 100% 83%	
8	-4.18	End of Borehole				

Stantec BOREHOLE RECORD BH8

CLIENT: FISHERIES AND OCEANS CANADA PROJECT No. 121622964
 LOCATION: SKINNERS COVE WHARF, PICTOU COUNTY, NOVA SCOTIA BH SIZE: HW
 DATES BORING: 2019/11/04 WATER LEVEL: CHART DATUM: CHART

DEPTH (m)	ELEVATION (m)	SOIL DESCRIPTION	STRATA FACT	WATER LEVEL	SAMPLES	UNSATURATED SEAR STRENGTH (kPa)
					NUMBER	
					TYPE	
					RECOVERY	
					VALUE	
					OR	
					OTHER	
					TESTS	
0	3.54	FILL: grey to brown silty sand with gravel			SS 1 350 7	
1	3.24	Firm to hard brown CLAY to CLAY with sand			SS 2 325 7	
2	2.02	Severely fractured to fractured slightly weathered brown mudstone: BEDROCK			SS 3 475 23	
3					SS 4 600 39	
4					SS 5 600 40	
5					SS 6 300 120/360 mm	
6					HQ 7 100% RQD 43%	
7					HQ 8 100% 67%	
8					HQ 9 100% 50%	
8	-3.32	End of Borehole				

Stantec BOREHOLE RECORD BH9

CLIENT: FISHERIES AND OCEANS CANADA PROJECT No. 121622964
 LOCATION: SKINNERS COVE WHARF, PICTOU COUNTY, NOVA SCOTIA BH SIZE: HW
 DATES BORING: 2019/11/04 WATER LEVEL: CHART DATUM: CHART

DEPTH (m)	ELEVATION (m)	SOIL DESCRIPTION	STRATA FACT	WATER LEVEL	SAMPLES	UNSATURATED SEAR STRENGTH (kPa)
					NUMBER	
					TYPE	
					RECOVERY	
					VALUE	
					OR	
					OTHER	
					TESTS	
0	-2.62	ROOT MAT/TOPSOIL			SS 1 350 8	
1	-3.21	FILL: grey gravel with sand			SS 2 375 16	
2		Very stiff to hard brown CLAY to CLAY with sand			SS 3 550 28	
3					SS 4 400 61	
4	0.11	Sound to very sound slightly weathered brown mudstone: BEDROCK			SS 5 300 65/300 mm	
5					HQ 6 100% RQD 97%	
6					HQ 7 100% 73%	
7						
7	-2.93	End of Borehole				

Fisheries and Oceans Canada / Pêches et Océans Canada

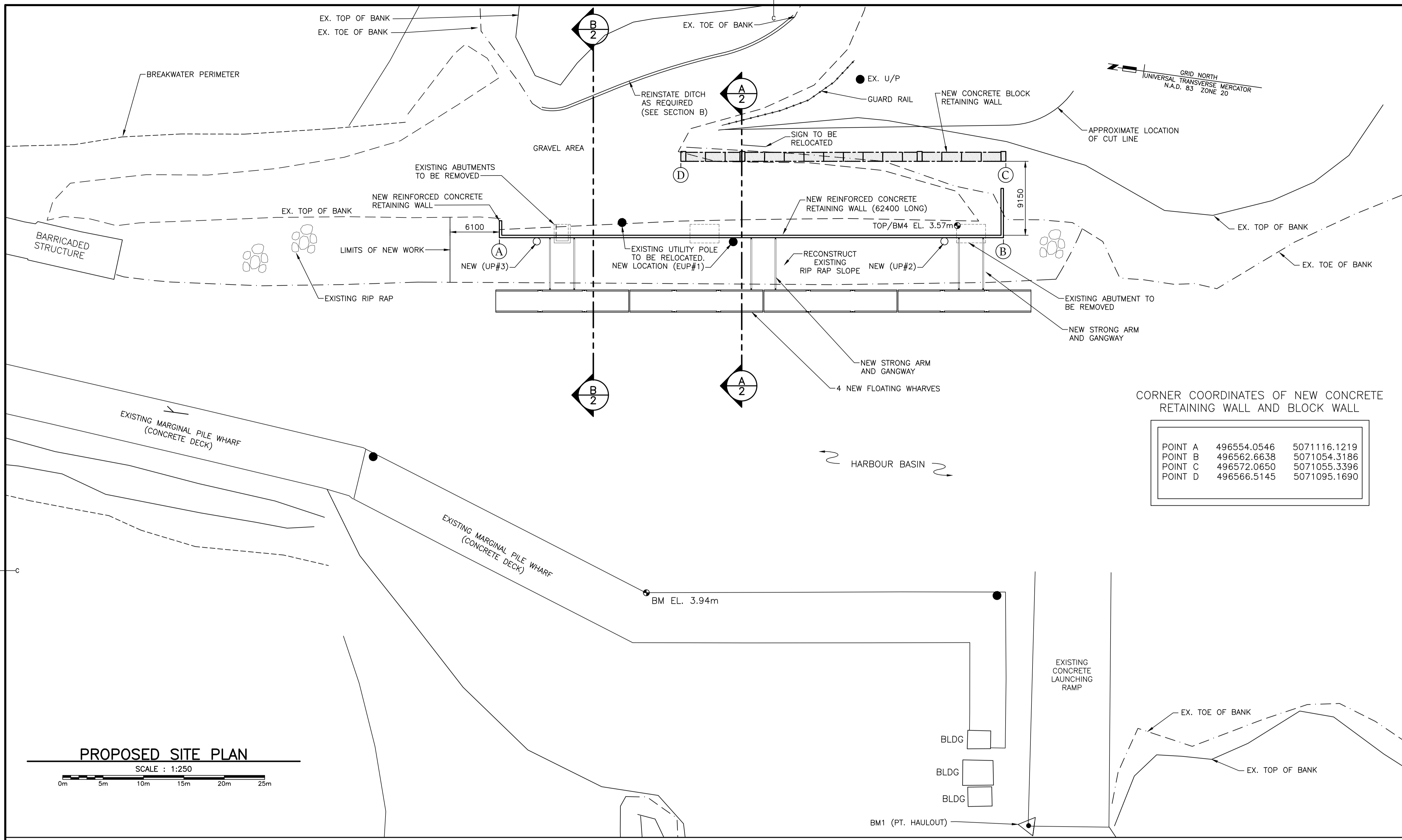
C01	ISSUED FOR TENDER	NOV 23 2020
revisions		date
project		projct

SKINNER'S COVE HARBOUR DEVELOPMENT SERVICE AREA IMPROVEMENTS SKINNERS COVE PICTOU CO. NOVA SCOTIA

drawing: dessin

CHART EXISTING SITE PLAN BORE HOLE DATA

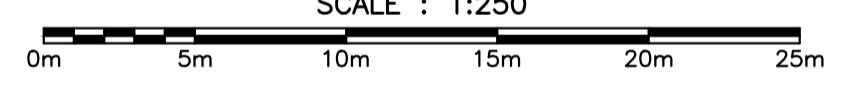
designed: S.C.H. STAFF conçu
 date: 2020-05-15
 drawn: S.C.H. STAFF dessiné
 date: 2020-10-05
 approved: approuvé
 date:
 Tender: S.M. Soumission
 PWGSC Project Manager / Administrateur de projets TPSCG
 project number: no. du projet
723 266
 drawing no.: no. du dessin
1 OF 8



CORNER COORDINATES OF NEW CONCRETE RETAINING WALL AND BLOCK WALL

POINT A	496554.0546	5071116.1219
POINT B	496562.6638	5071054.3186
POINT C	496572.0650	5071055.3396
POINT D	496566.5145	5071095.1690

PROPOSED SITE PLAN



C01	ISSUED FOR TENDER	NOV 23 2020
revisions		date
project		projet

SKINNER'S COVE HARBOUR DEVELOPMENT SERVICE AREA IMPROVEMENTS SKINNERS COVE PICTOU CO. NOVA SCOTIA

drawing / dessin

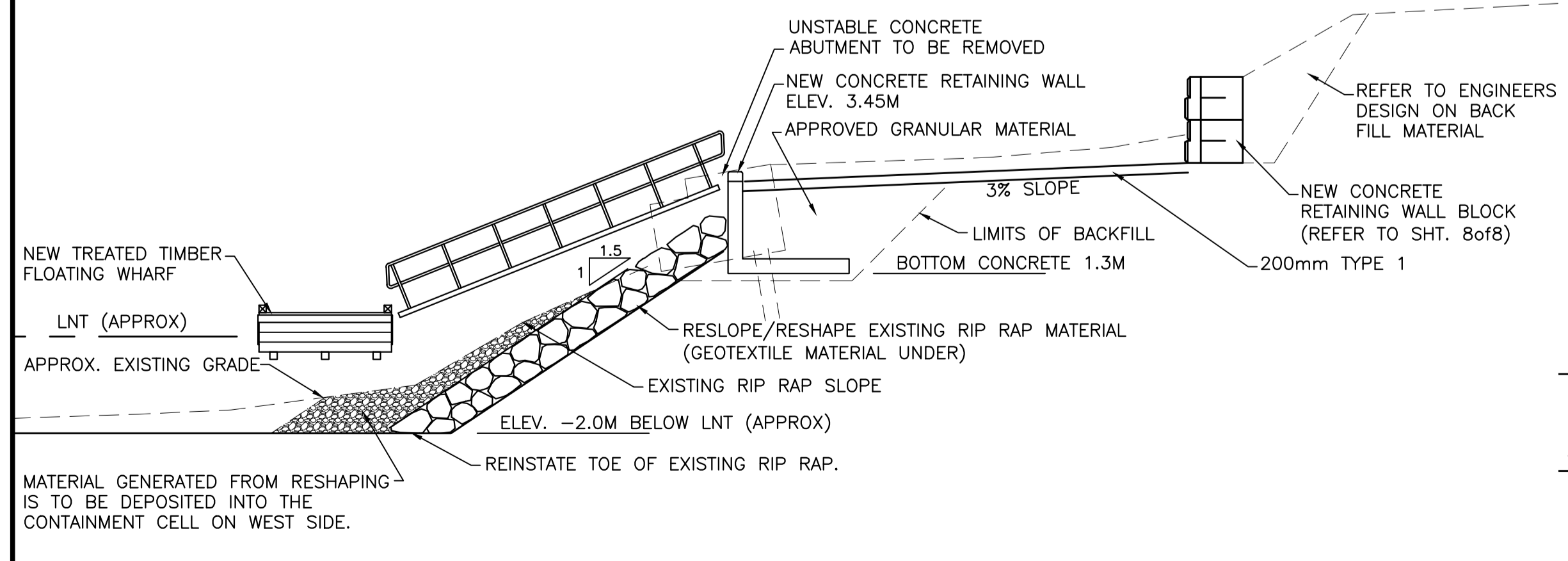
NEW SERVICE AREA AND FLOAT LAYOUT

designed	S.C.H. STAFF	conçu
date	2020-10-05	
drawn	S.C.H. STAFF	dessiné
date	2020-10-05	
approved		approuvé
date		
Tender	S.M.	Soumission
PWGSC Project Manager	Administrateur de projets TPSC	
project number		no. du projet

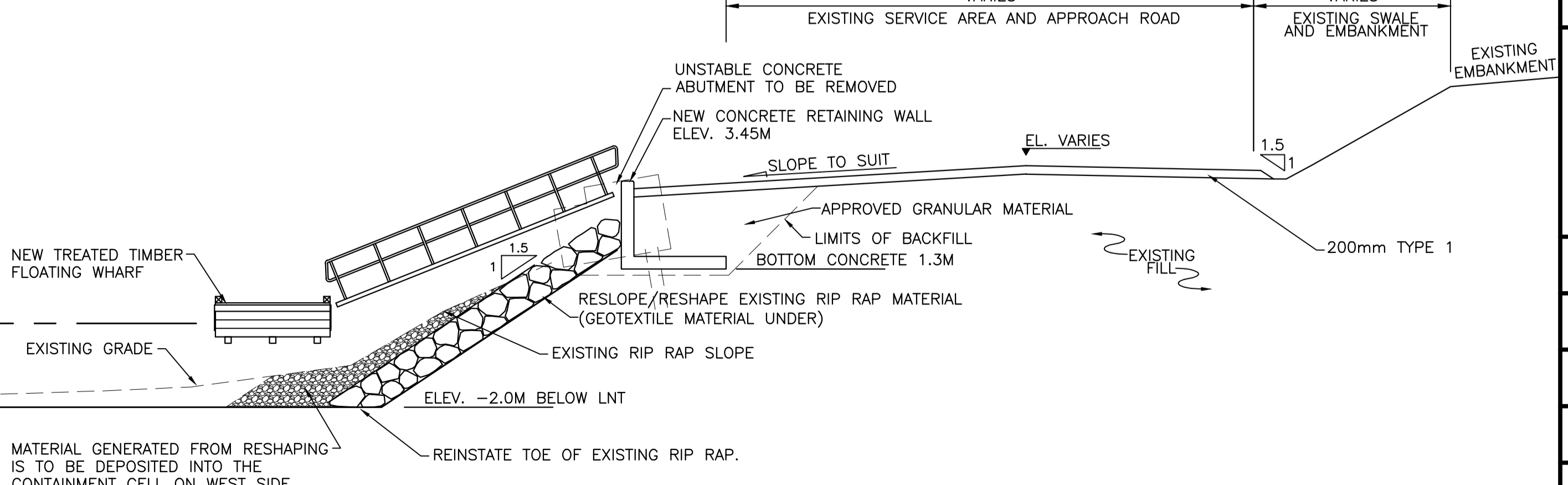
723 266

drawing no. / no. du dessin

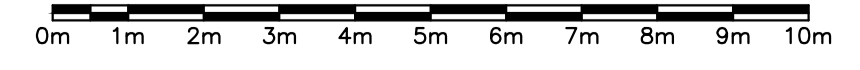
2 OF 8

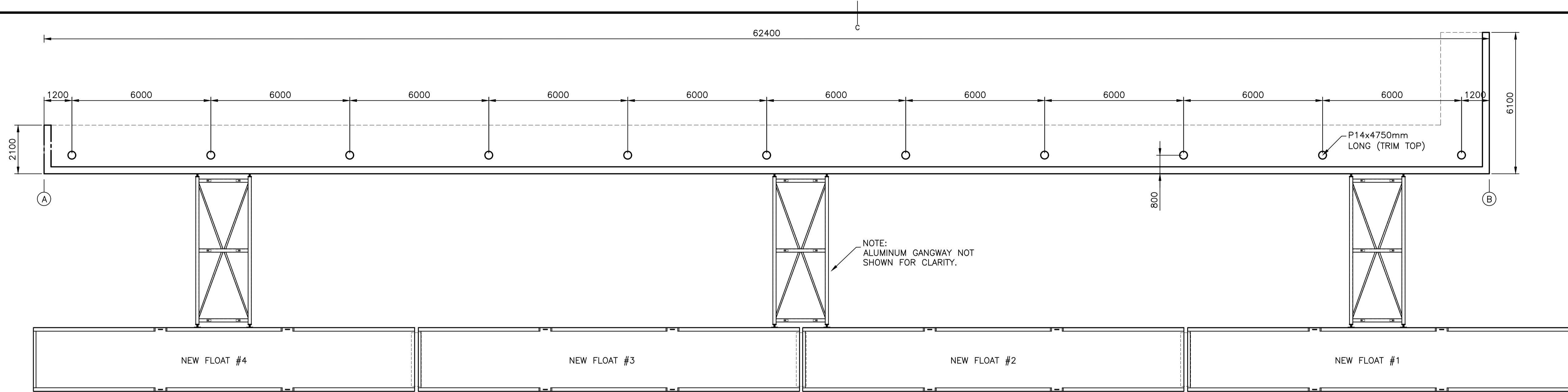


TYPICAL CROSS SECTION A SCALE : 1:100



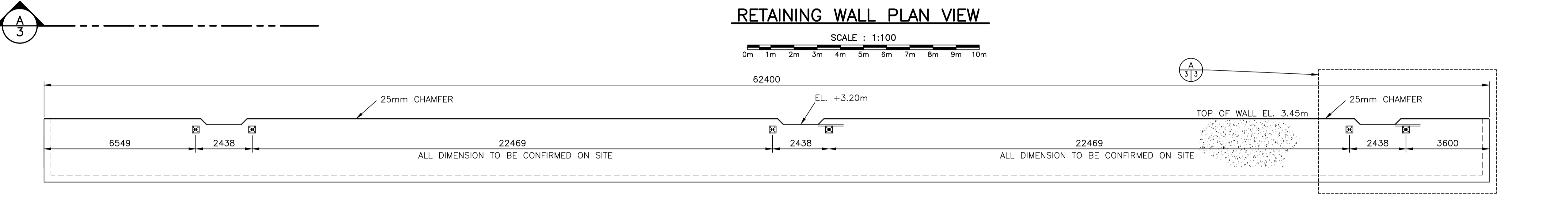
SECTION THROUGH NEW FLOATING DOCK AND CONCRETE ABUTMENT B SCALE : 1:100





RETAINING WALL PLAN VIEW

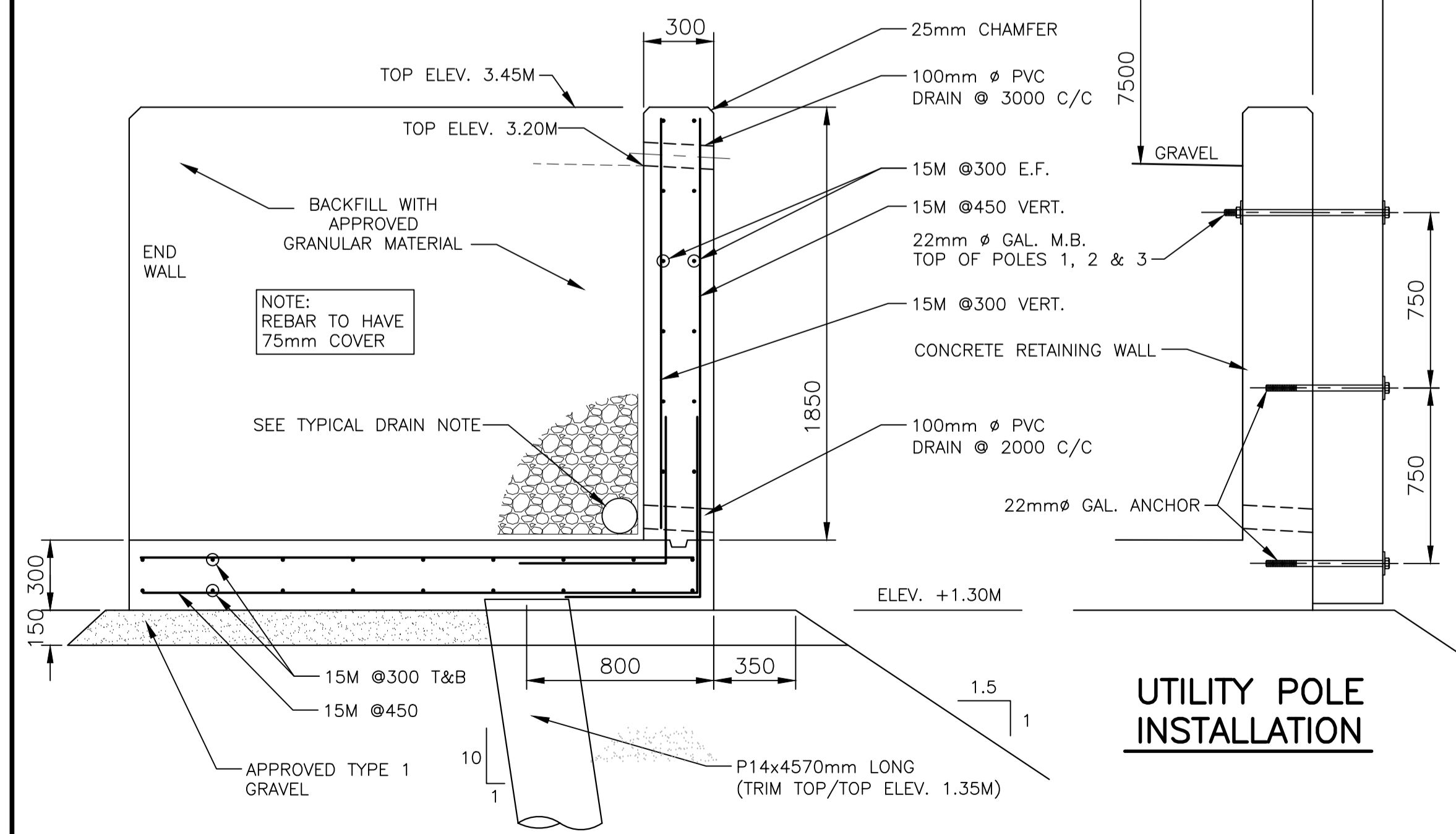
SCALE : 1:100
0m 1m 2m 3m 4m 5m 6m 7m 8m 9m 10m



RETAINING WALL FRONT ELEVATION

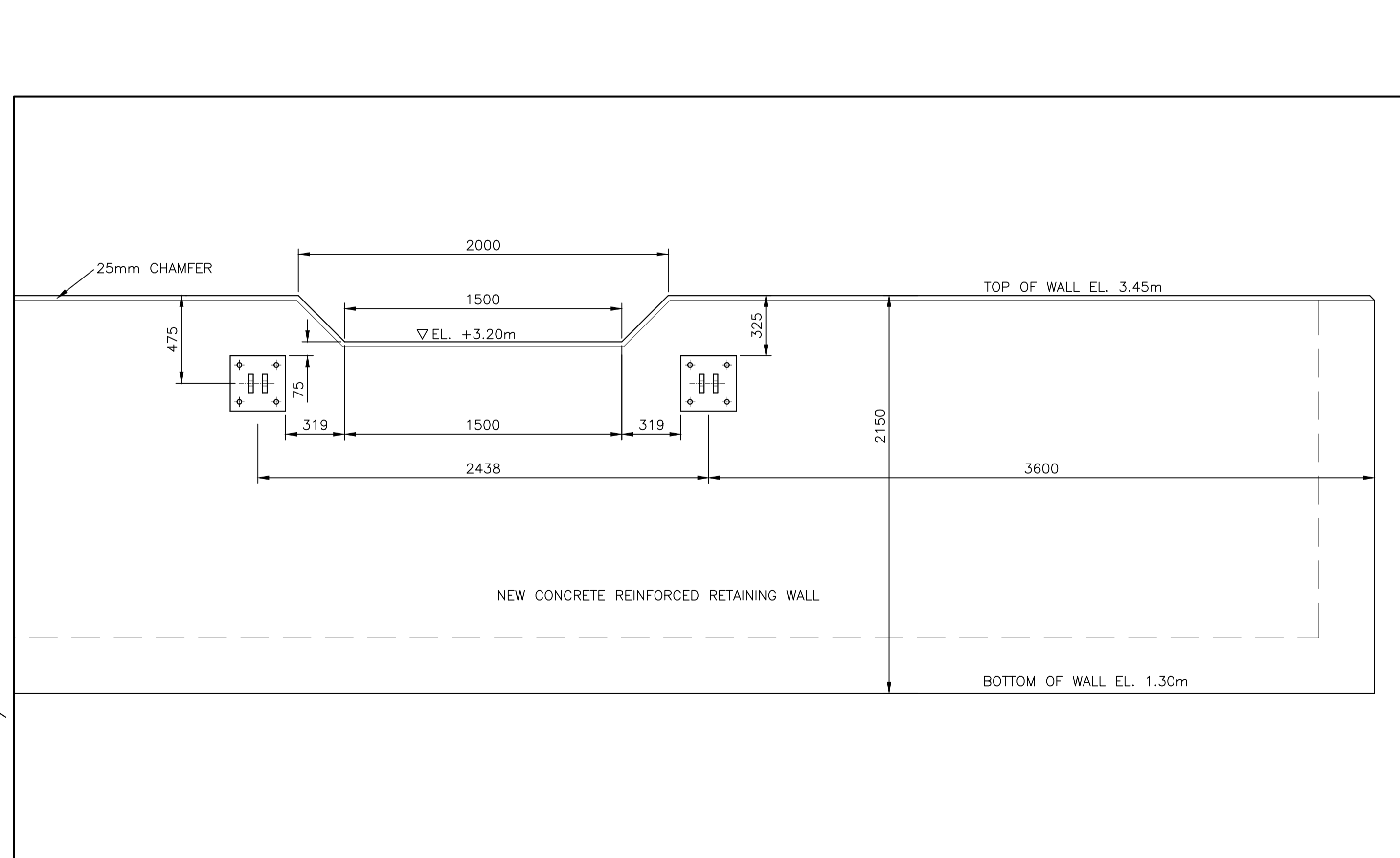
SCALE : 1:100
0m 1m 2m 3m 4m 5m 6m 7m 8m 9m 10m

- UTILITY POLE NOTE:**
1. UTILITY POLES #1, #2 AND #3 ARE TO BE FASTENED THROUGH THE SIDE OF THE NEW REINFORCED CONCRETE WALL. SPACE BOLTS 750mm APART. EXACT LOCATIONS TO BE DETERMINED ON SITE BY SCH.
- TYPICAL DRAIN NOTE:**
1. PROVIDE 150mm DIA. RIGID PERFORATED PVC PERIMETER DRAIN SURROUNDED BY 28mm CLEAR STONE BEDDING TYPE 'C5' WRAPPED IN GEOTEXTILE. LAP GEOTEXTILE ON 2 SIDES.
2. PROVIDE 100mm DIA. PVC WEEP HOLES AT 2000mm c/c IN WALL.



TYPICAL SECTION THROUGH RETAINING WALL

SCALE : 1:20
0mm 500mm 1000mm 1500mm 2000mm 2500mm



DETAIL A

SCALE : 1:20
0mm 500mm 1000mm 1500mm 2000mm 2500mm

C01	ISSUED FOR TENDER	NOV 23 2020
revisions		date

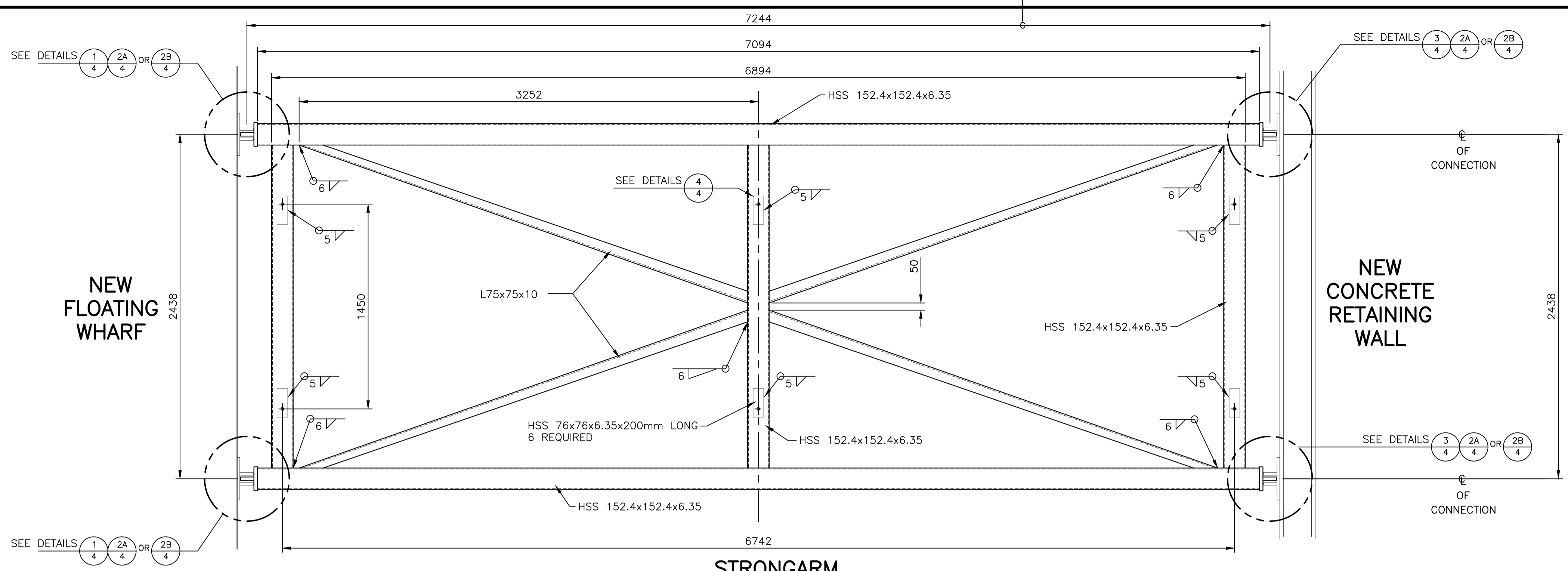
project SKINNER'S COVE HARBOUR DEVELOPMENT SERVICE AREA IMPROVEMENTS SKINNER'S COVE PICTOU CO. NOVA SCOTIA

designed S.C.H. STAFF
date 2020-10-05
drawn S.C.H. STAFF
date 2020-10-05
approved
date

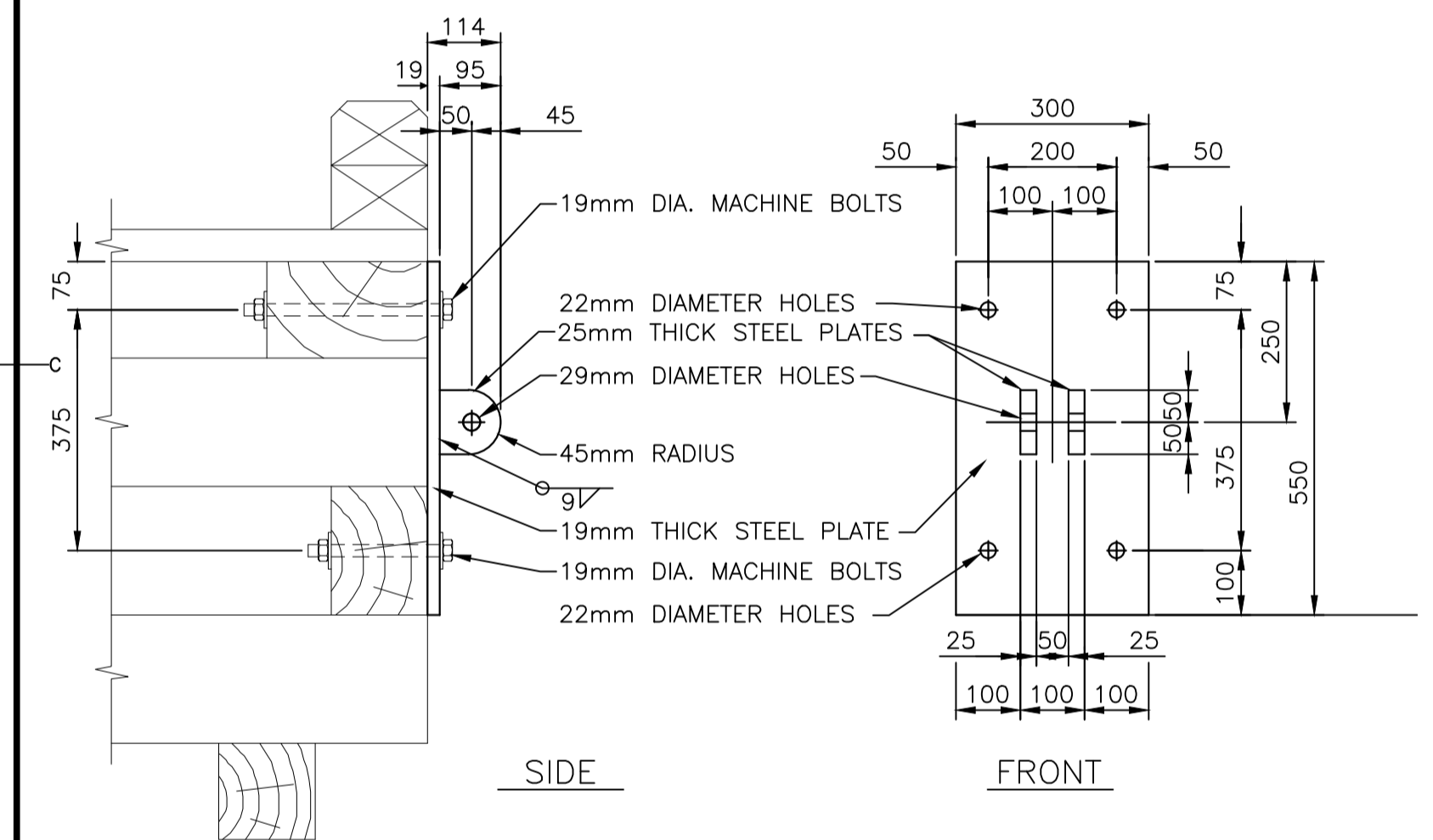
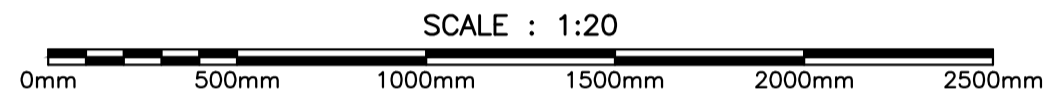
NEW CONCRETE RETAINING WALL ELEVATIONS AND DETAILS

Tender S.M.
PWGSC Project Manager / Administrateur de projets TPSGC
project number 723 266
no. du projet

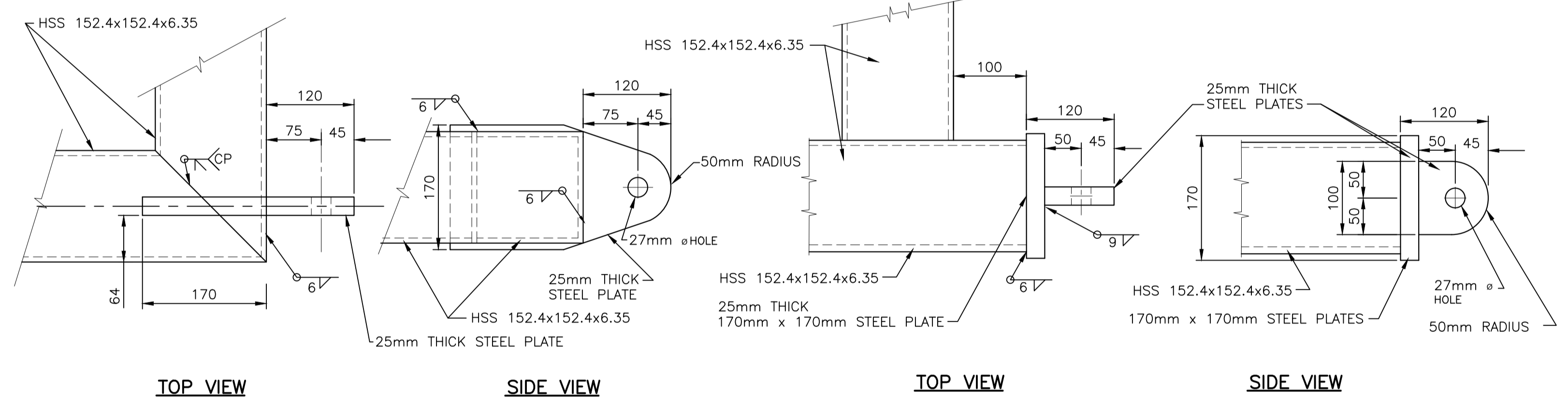
drawing no. 3 OF 8
no. du dessin



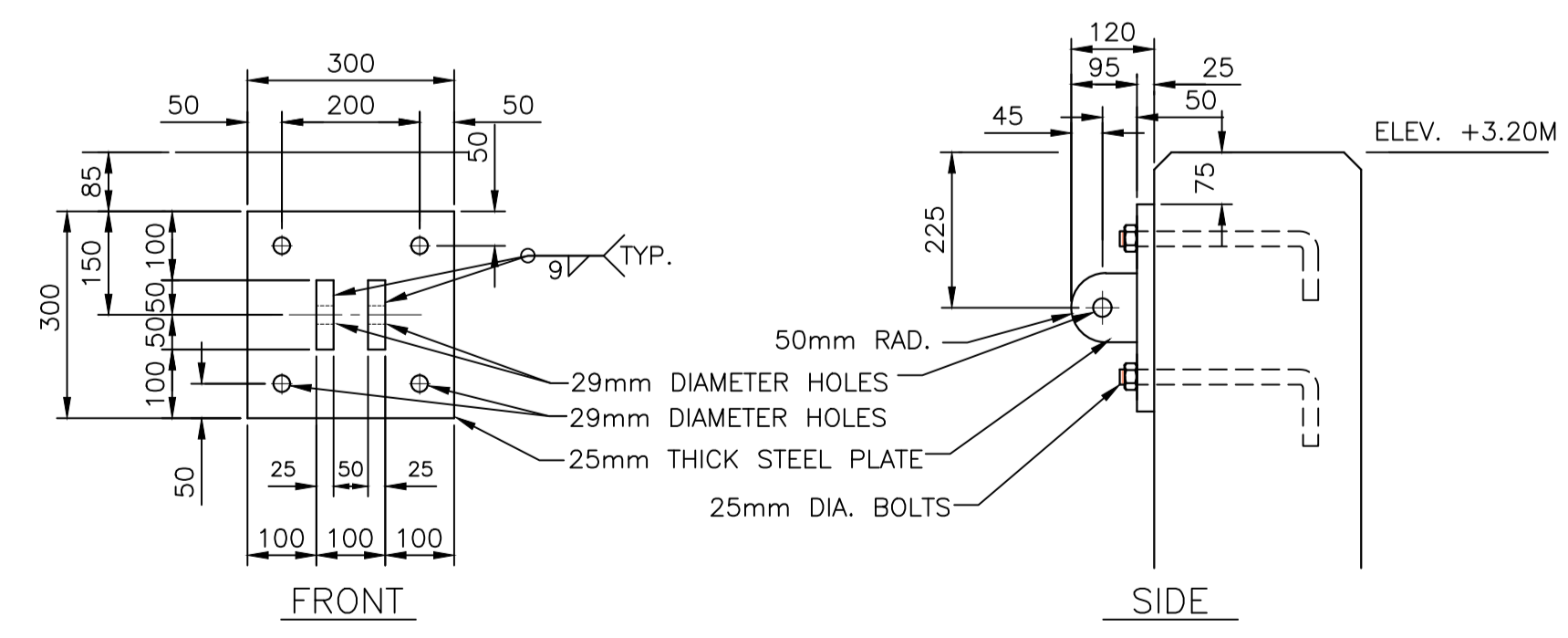
STRONGARM



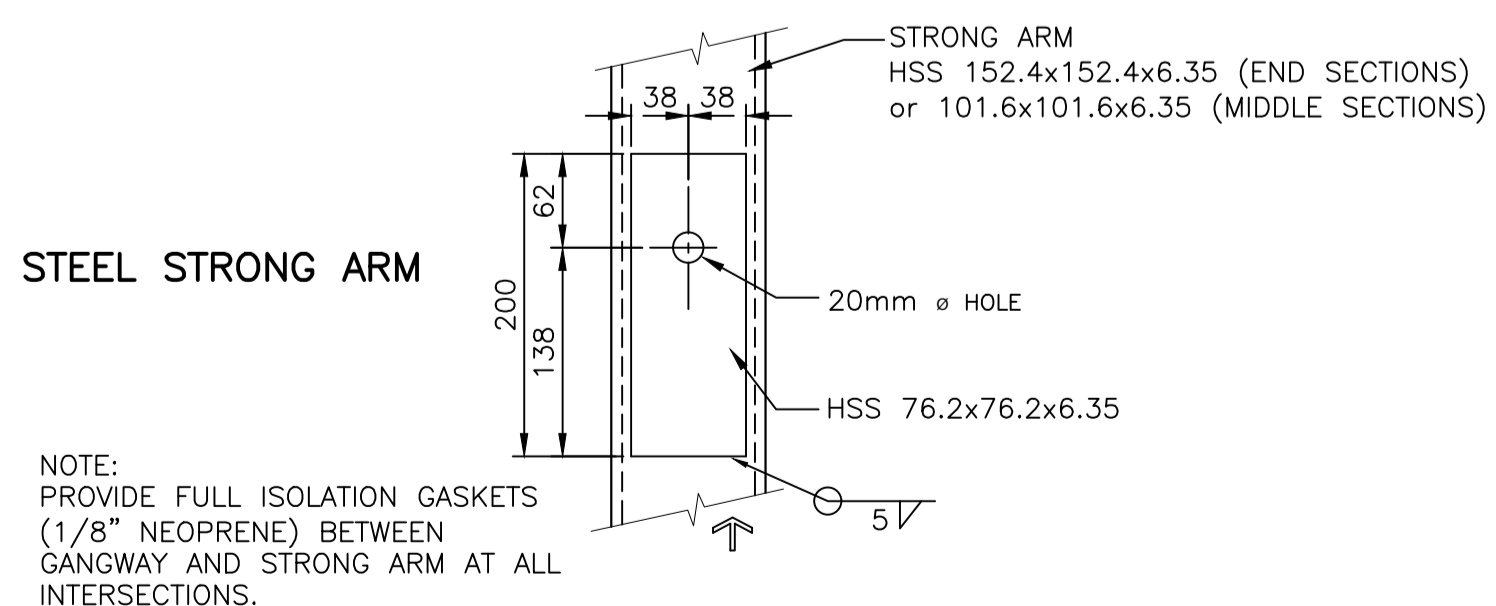
FLOAT HINGE BRACKET DETAIL 1
TYPICAL FOR STRONGARM CONNECTION
SCALE: 1:10



FLOAT HINGE BRACKET DETAIL 2A OR 2B
TYPICAL FOR STRONGARM CONNECTION
SCALE: 1:5



RETAINING WALL HINGE BRACKET DETAIL 3
TYPICAL FOR STRONGARM CONNECTION
SCALE: 1:10



FASTENING DETAIL 4
SCALE: 1:5

NOTE:
PROVIDE FULL ISOLATION GASKETS
(1/8" NEOPRENE) BETWEEN
GANGWAY AND STRONG ARM AT ALL
INTERSECTIONS.

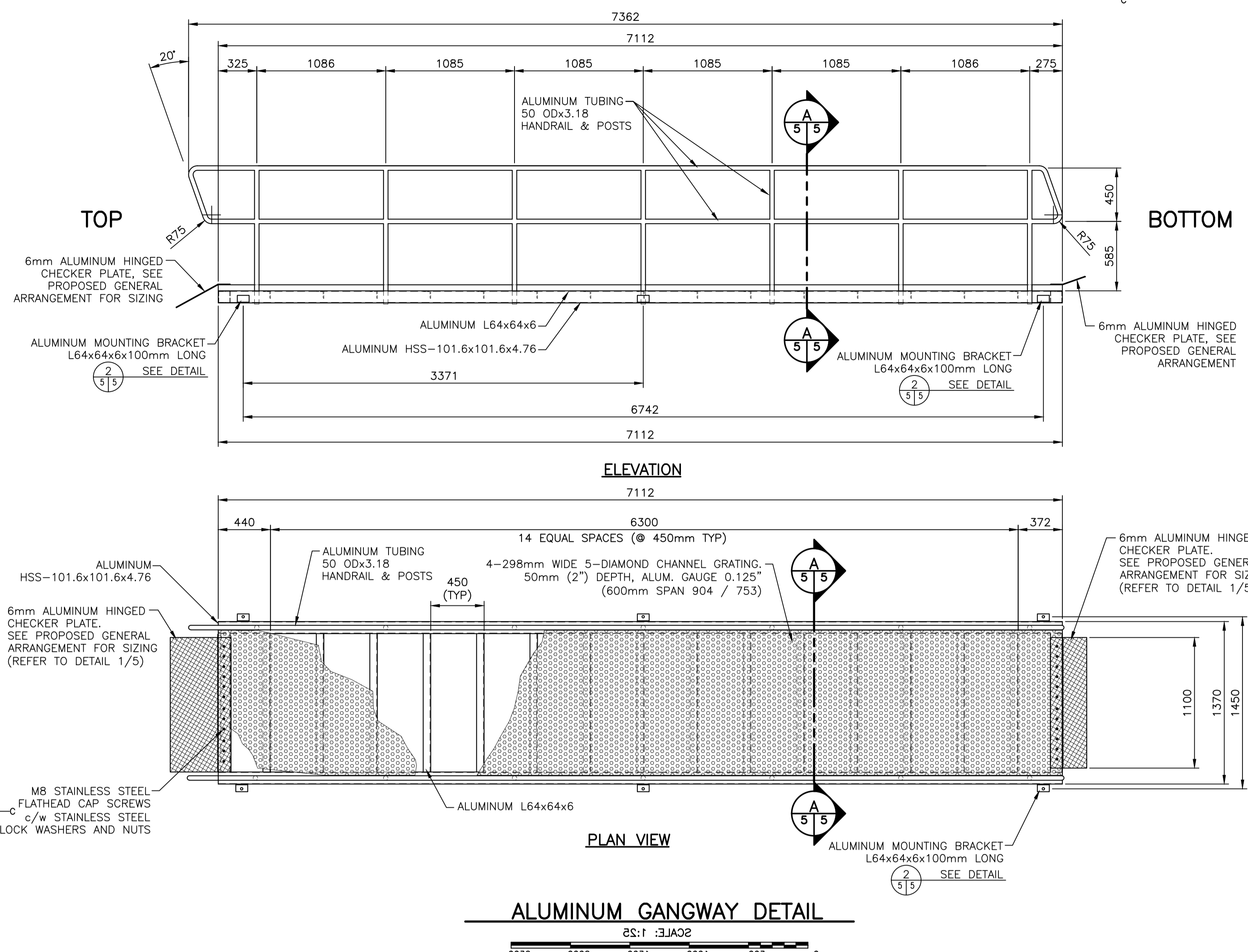
C01	ISSUED FOR TENDER	NOV 23 2020
revisions		date
project		projct

SKINNER'S COVE HARBOUR DEVELOPMENT SERVICE AREA IMPROVEMENTS SKINNER'S COVE PICTOU CO. NOVA SCOTIA

NEW GALVANIZED STEEL STRONG ARM CONNECTION DETAILS

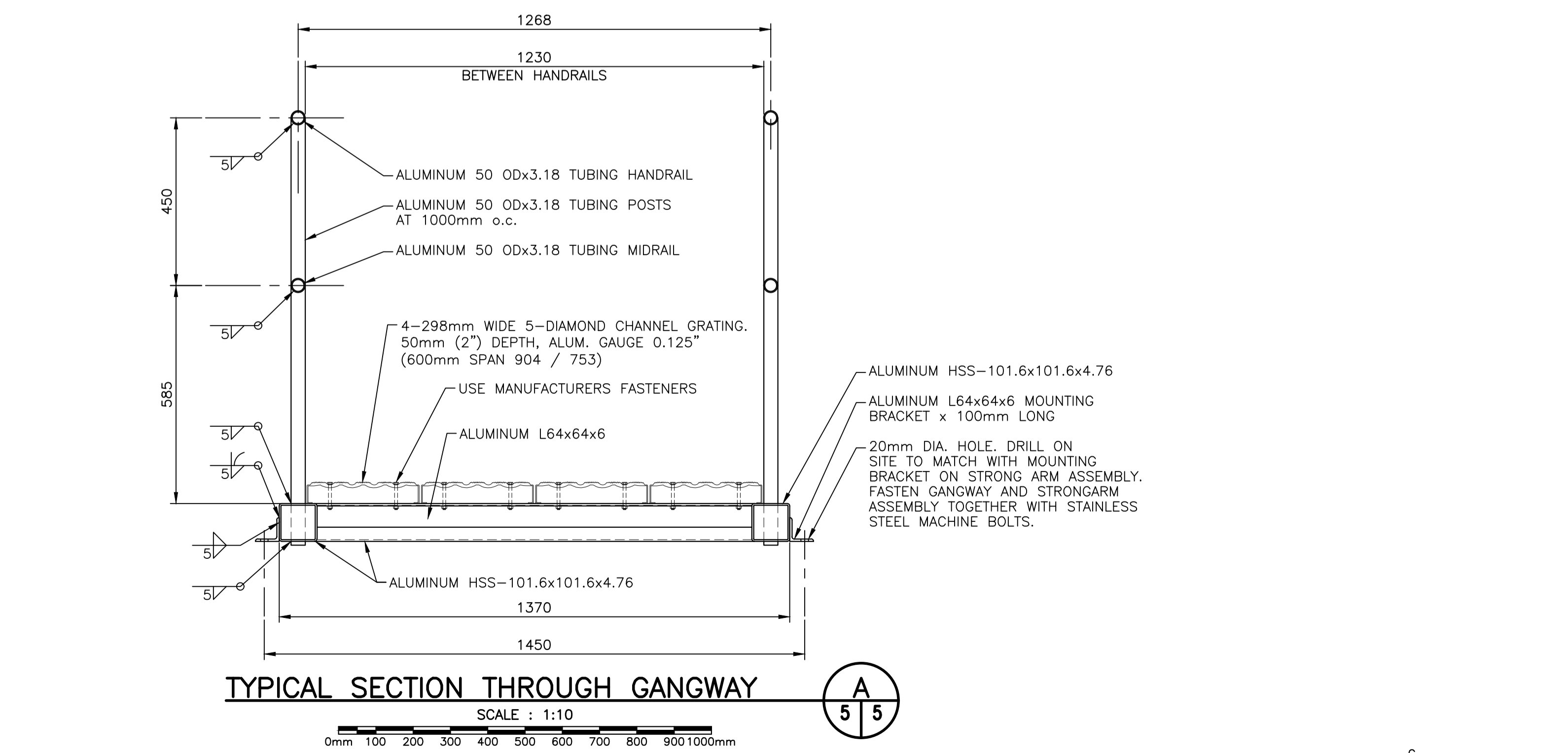
designed	S.C.H. STAFF	conçu
date	2020-10-05	
drawn	S.C.H. STAFF	dessiné
date	2020-10-05	
approved		approuvé
date		
Tender	S.M.	Soumission
project number	PWGSC Project Manager / Administrateur de projets TPSC	no. du projet

723 266
drawing no. 4 OF 8 no. du dessin



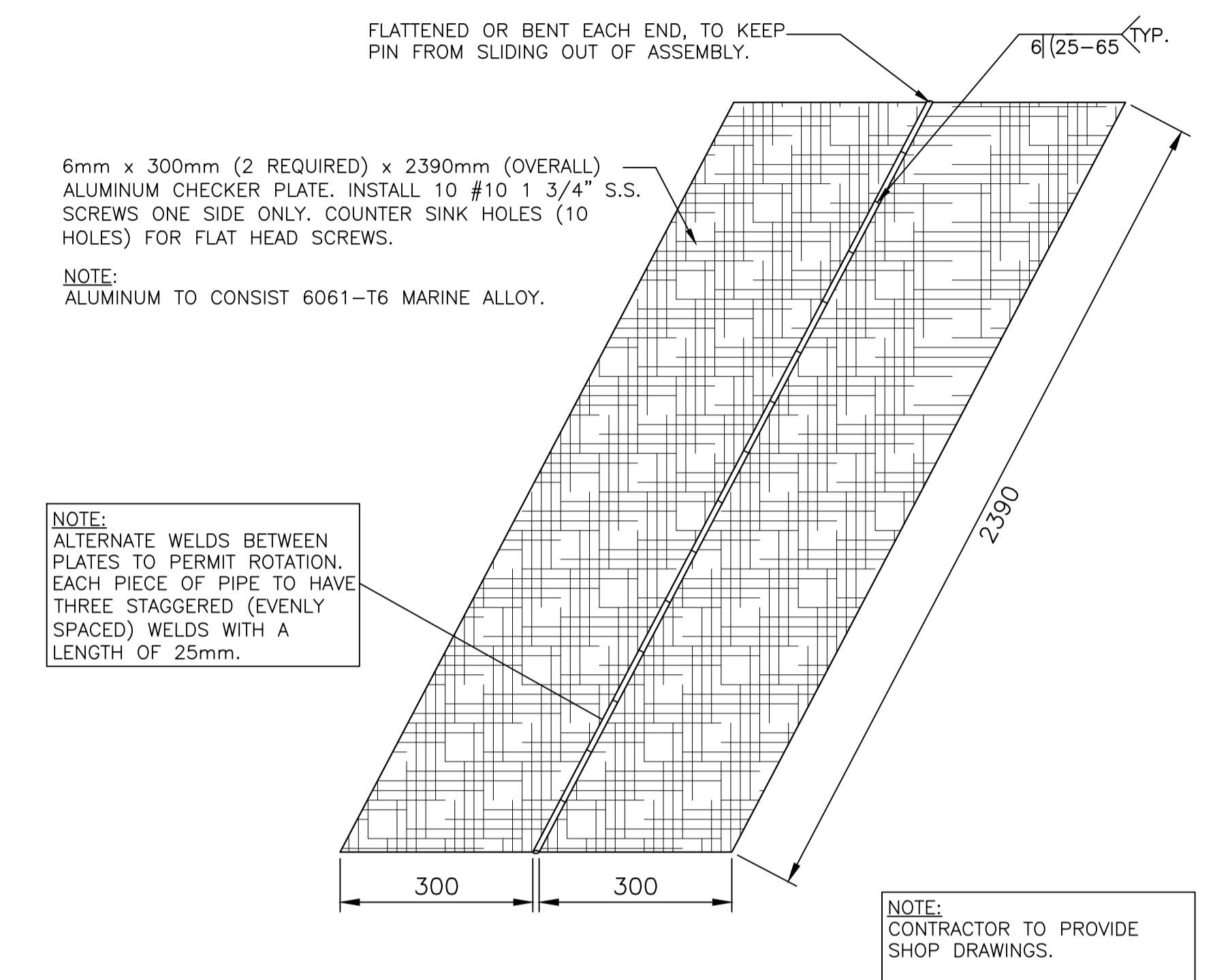
ALUMINUM GANGWAY DETAIL

SCALE: 1:5
mm0085 mm0005 mm0001 mm0001 mm0002 mm00

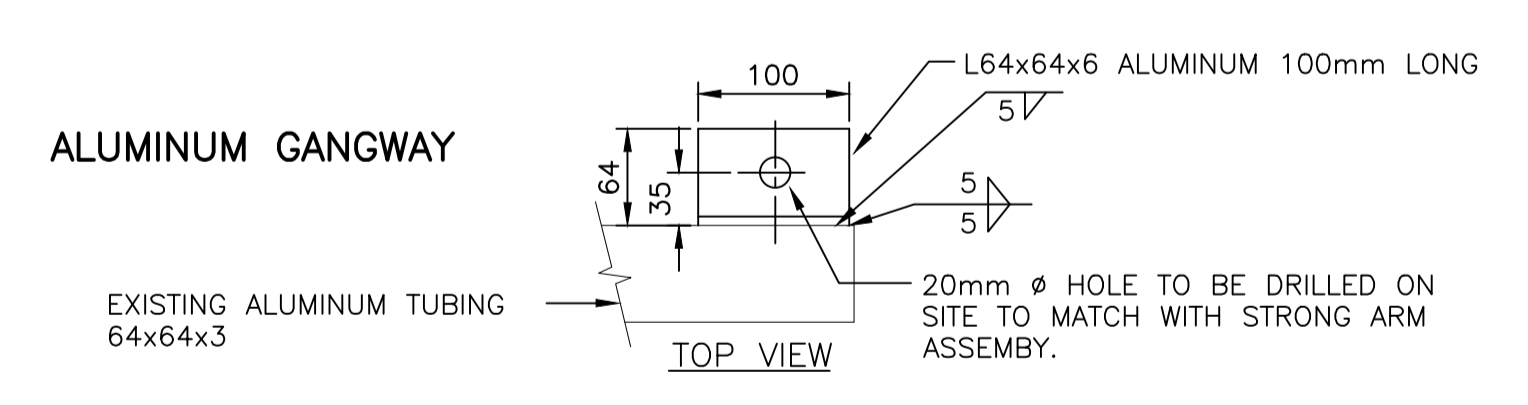


TYPICAL SECTION THROUGH GANGWAY

SCALE: 1:10
0mm 100 200 300 400 500 600 700 800 900 1000mm



ALUMINUM CHECKER PLATE ASSEMBLY DETAIL
N.T.S. 3 REQ'D



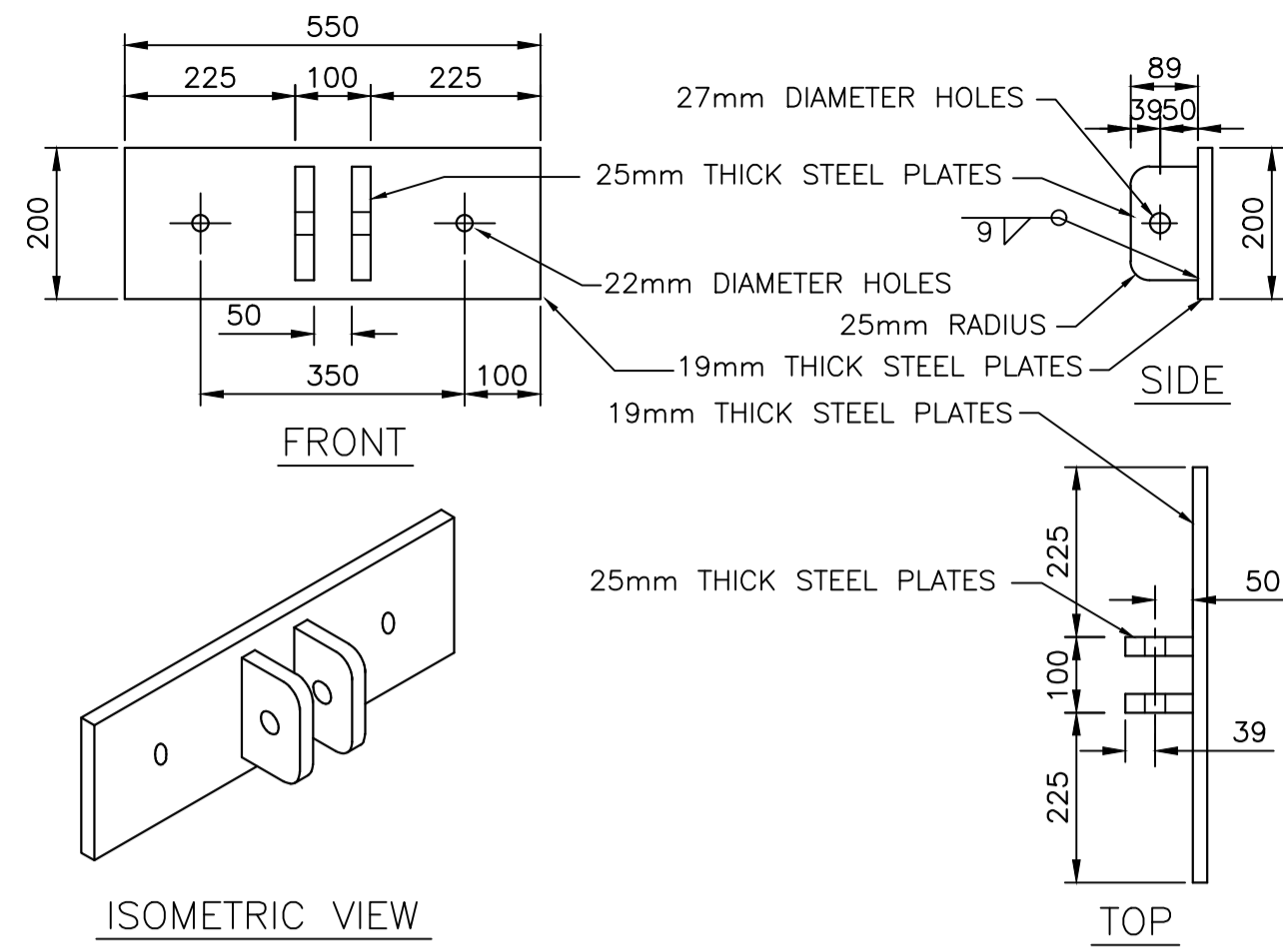
FASTENING DETAIL
SCALE: 1:5
0mm 100mm 200mm 300mm 400mm 500mm

C01	ISSUED FOR TENDER	NOV 23 2020
revisions		date
project		projet

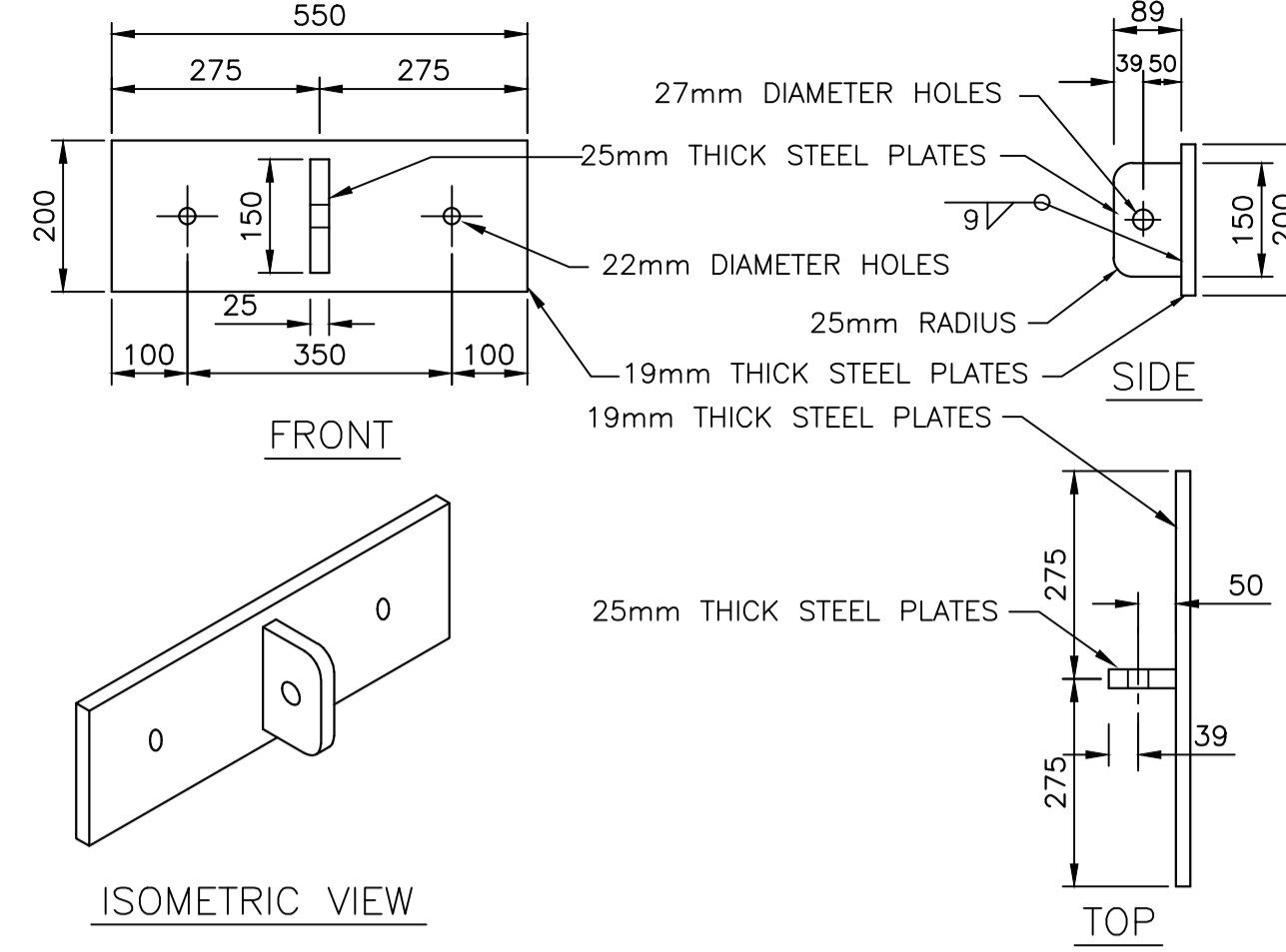
SKINNER'S COVE HARBOUR DEVELOPMENT SERVICE AREA IMPROVEMENTS SKINNER'S COVE PICTOU CO. NOVA SCOTIA

NEW ALUMINIUM GANGWAY AND DETAILS

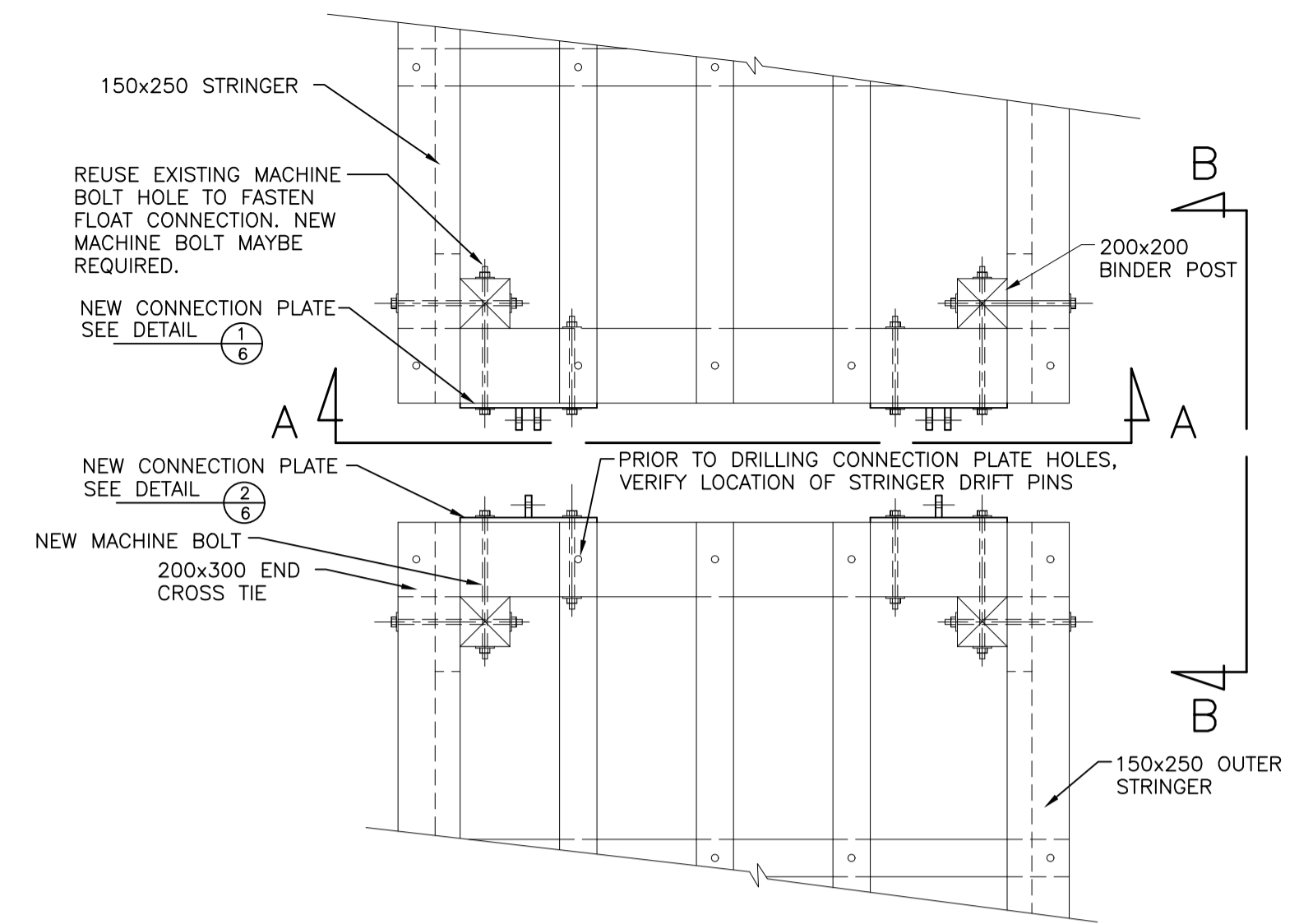
designed	S.C.H. STAFF	conçu
date	2020-10-05	
drawn	S.C.H. STAFF	dessiné
date	2020-10-05	
approved		approuvé
date		
Tender	S.M.	Soumission
PWGSC Project Manager	Administrateur de projets TPSCG	
project number		no. du projet
	723 266	
drawing no.		no. du dessin
	5 OF 8	



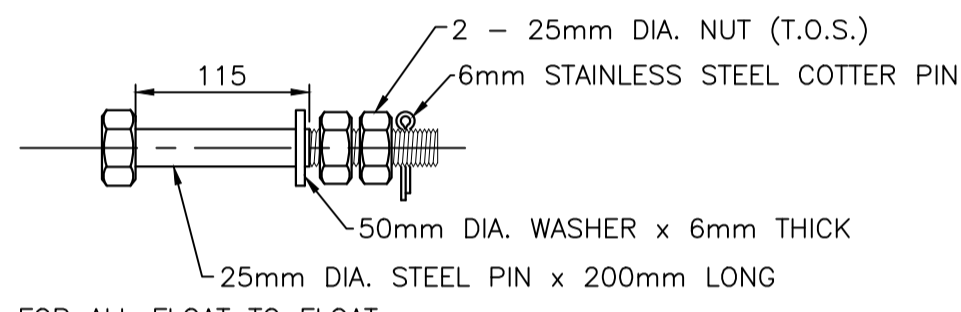
FLOAT CONNECTION PLATE
FLOAT TO FLOAT (6 REQUIRED)
 SCALE: 1:10



FLOAT CONNECTION PLATE
FLOAT TO FLOAT (6 REQUIRED)
 SCALE: 1:10



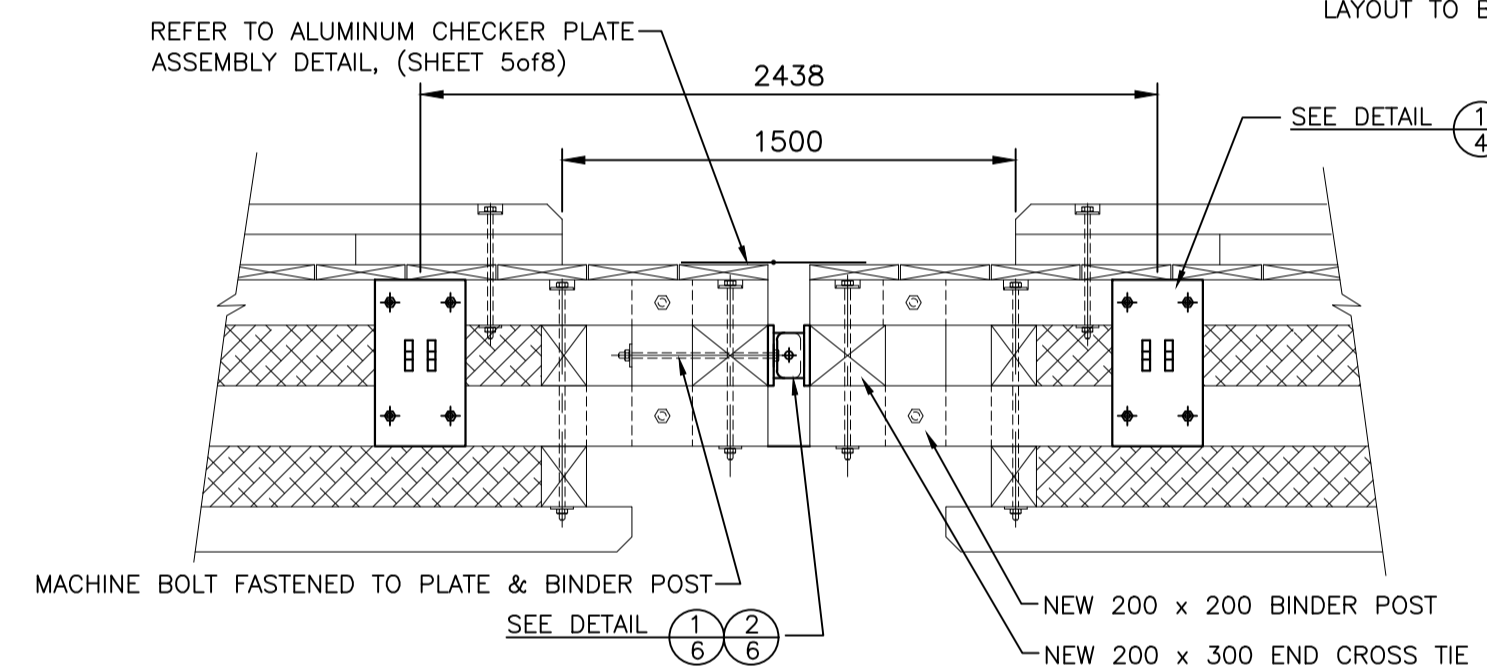
FLOATING WHARF CONNECTION DETAIL
PLAN VIEW (DECKING OMITTED FOR CLARITY)
 SCALE: 1:25



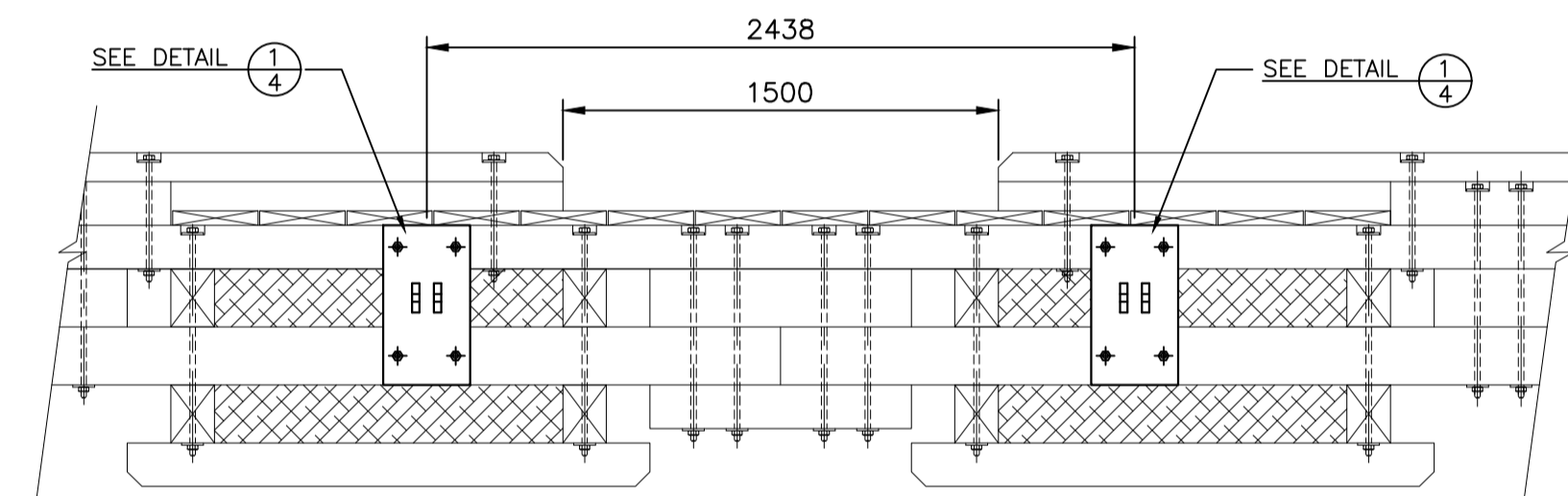
NOTE:
 TYPICAL FOR ALL FLOAT TO FLOAT
 AND STRONG ARM CONNECTIONS

GANGWAY AND FLOAT CONNECTION BOLTS
 SCALE: 1:5

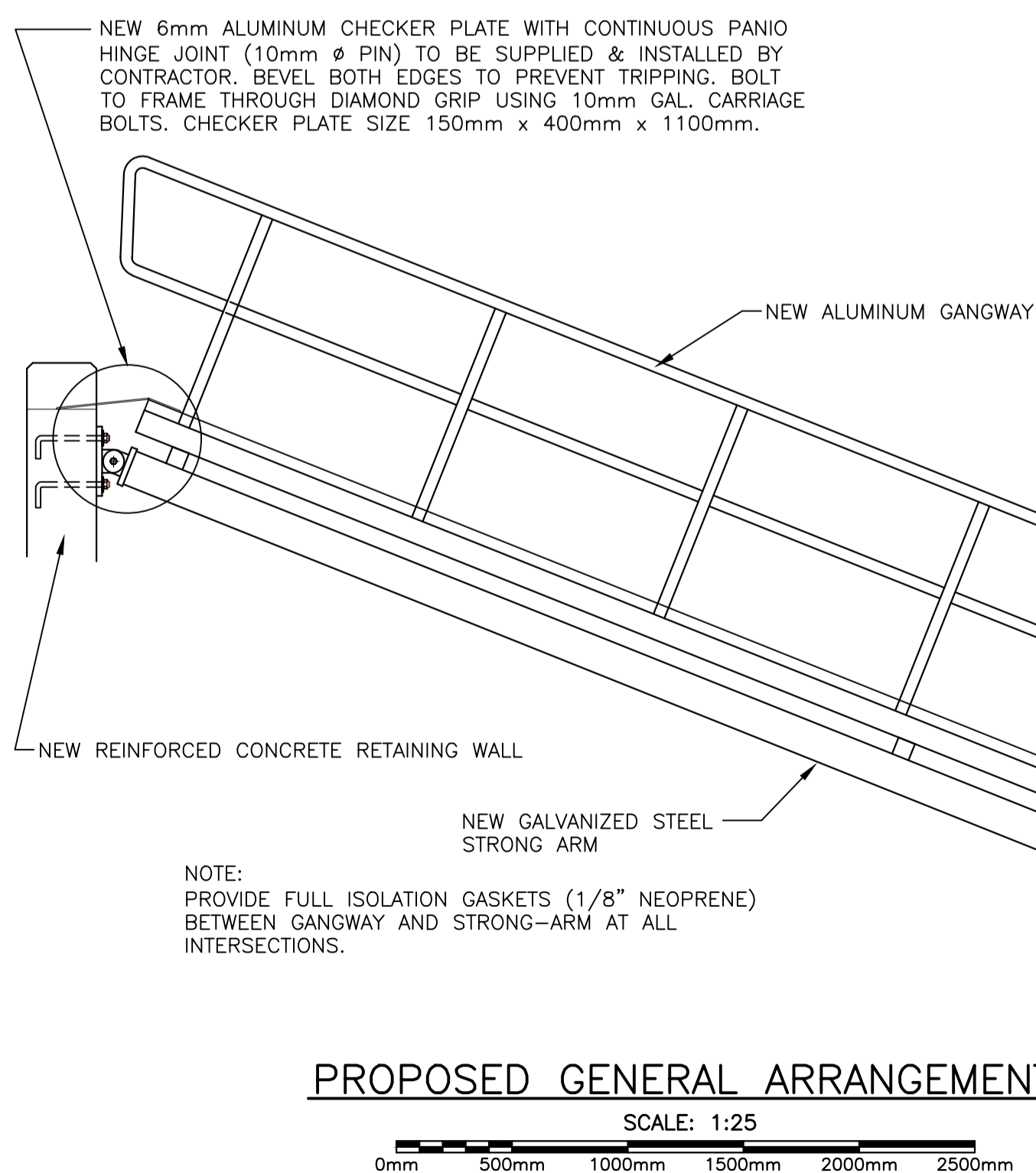
NOTE:
 TIMBER GUARDS IN FRONT OF THE THREE (3) NEW GANGWAYS
 ARE TO BE REMOVED, 1500mm SPACE TO BE PROVIDED TO
 ASSESS THE FLOATING WHARF CORNER MACHINE BOLTS.
 GANGWAY SIDE ONLY TO FASTENED UNDER DECKING. EXACT
 LAYOUT TO BE PROVIDED BY SCH DURING CONSTRUCTION.



SECTION B-B SIDE VIEW
@ INTERSECTION of FLOATS #2 & #3
 SCALE: 1:25

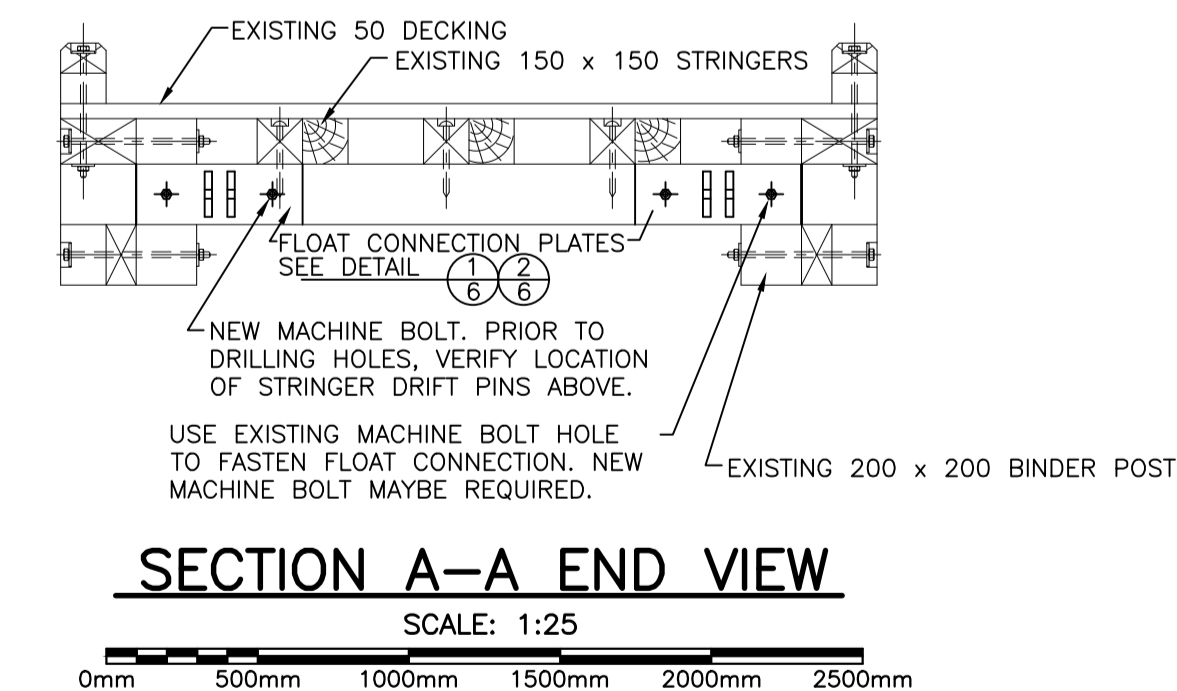


TYPICAL SIDE VIEW of FLOATS #1 & #4
 SCALE: 1:25



PROPOSED GENERAL ARRANGEMENT
 SCALE: 1:25

NEW 6mm ALUMINUM CHECKER PLATE WITH CONTINUOUS PANIO
 HINGE JOINT (10mm Ø PIN) TO BE SUPPLIED & INSTALLED BY
 CONTRACTOR. BEVEL BOTH EDGES TO PREVENT TRIPPING. BOLT
 TO FRAME THROUGH DIAMOND GRIP USING 10mm GAL. CARRIAGE
 BOLTS. CHECKER PLATE SIZE 150mm x 200mm x 1100mm.



SECTION A-A END VIEW
 SCALE: 1:25

C01	ISSUED FOR TENDER	NOV 23 2020
revisions		date

project project

**SKINNER'S COVE
 HARBOUR DEVELOPMENT
 SERVICE AREA IMPROVEMENTS
 SKINNER'S COVE
 PICTOU CO. NOVA SCOTIA**

drawing dessin

**GENERAL ARRANGEMENT
 NEW FLOAT ASSEMBLY
 SECTION AND DETAILS**

designed S.C.H. STAFF conçu

date 2020-10-05

drawn S.C.H. STAFF dessiné

date 2020-10-05

approved approuvé

date

Tender S.M. Soumission

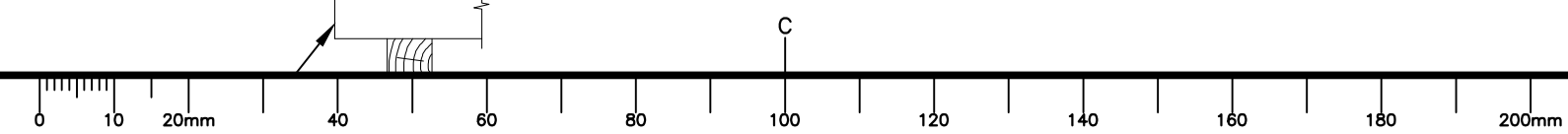
PWGSC Project Manager Administrateur de projets TPSGC

project number no. du projet

723 266

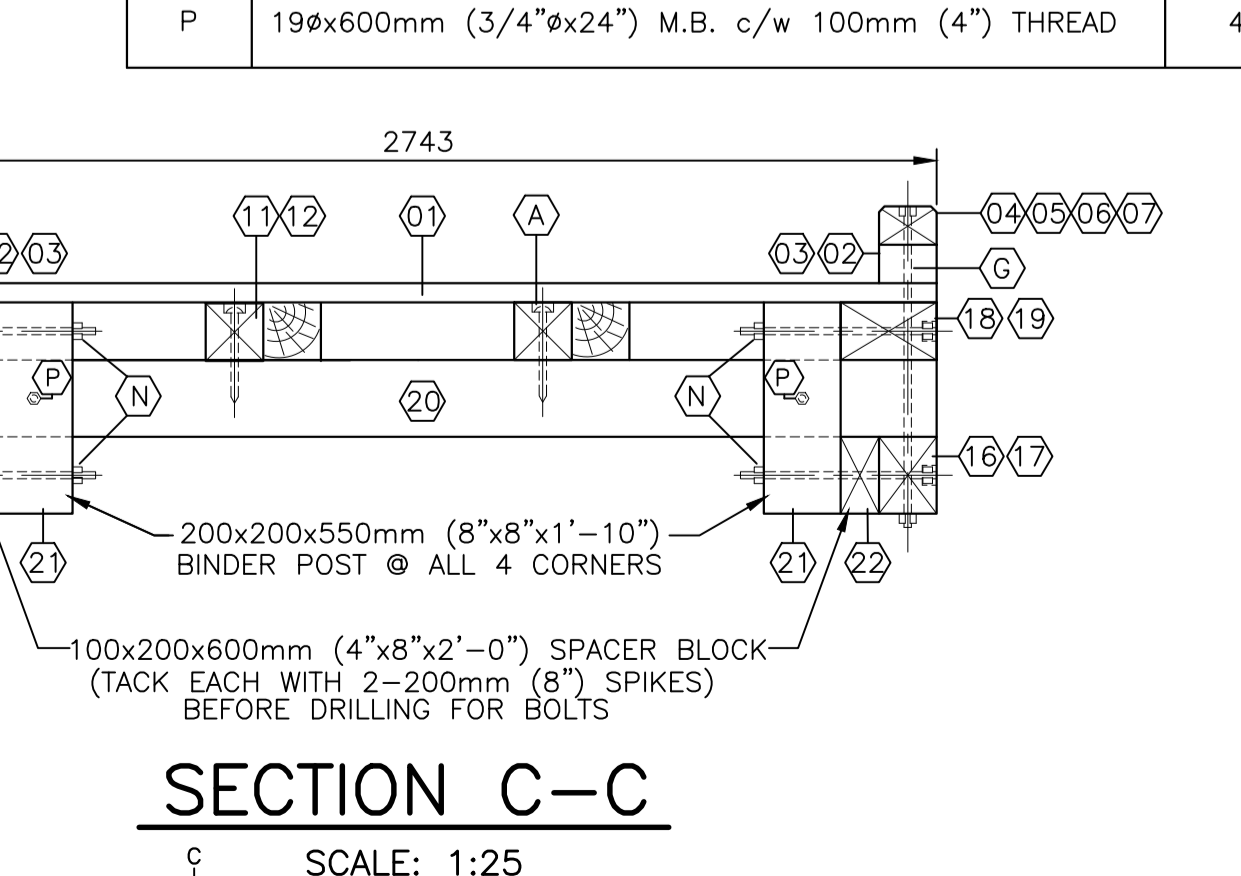
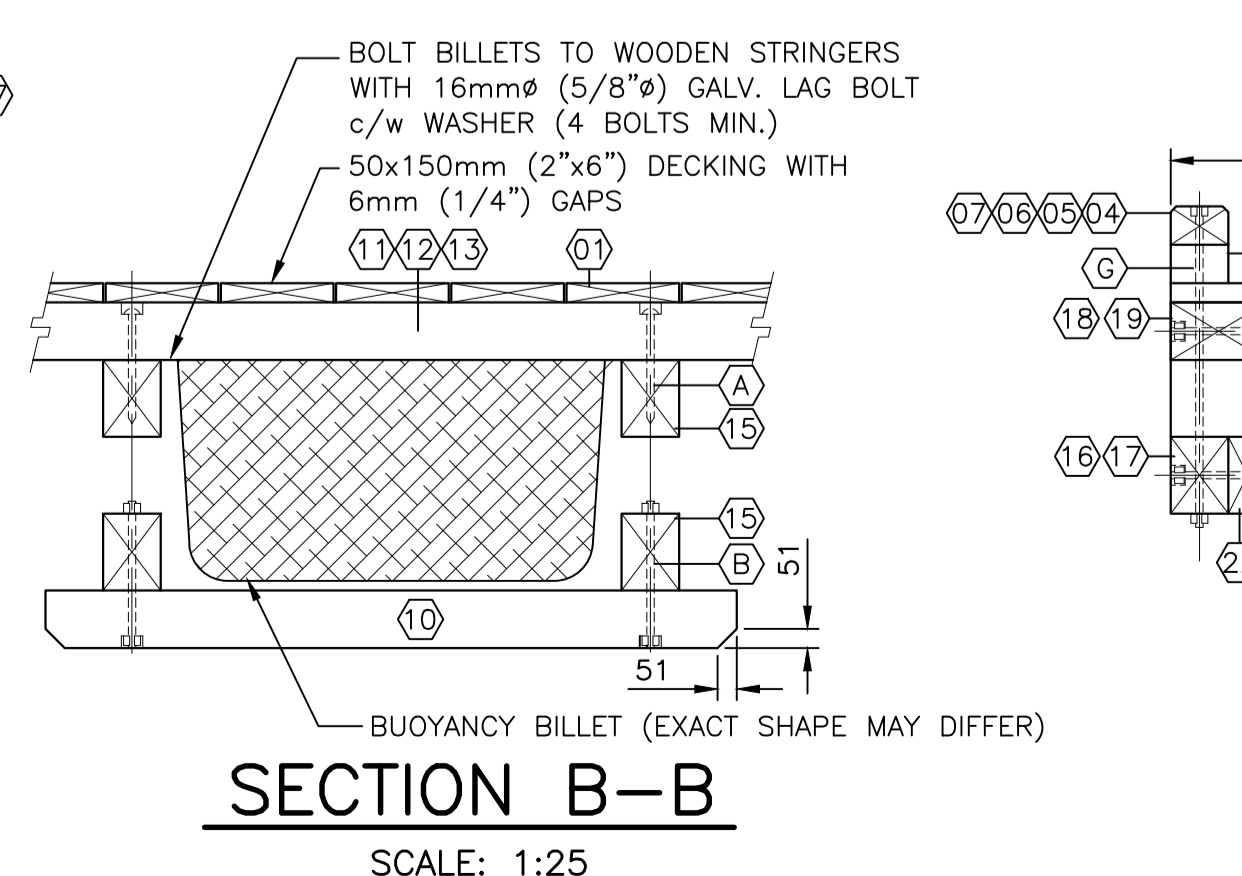
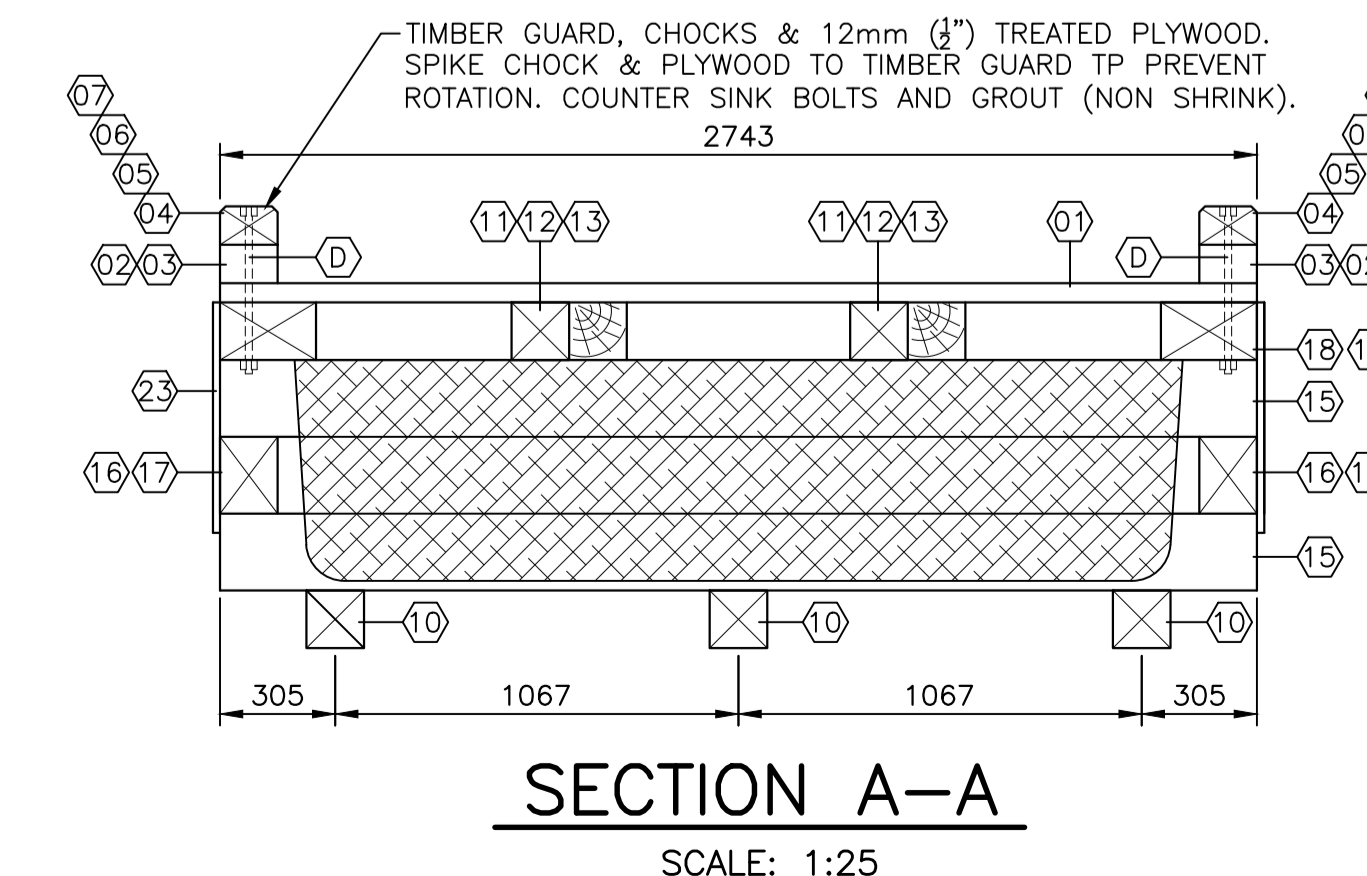
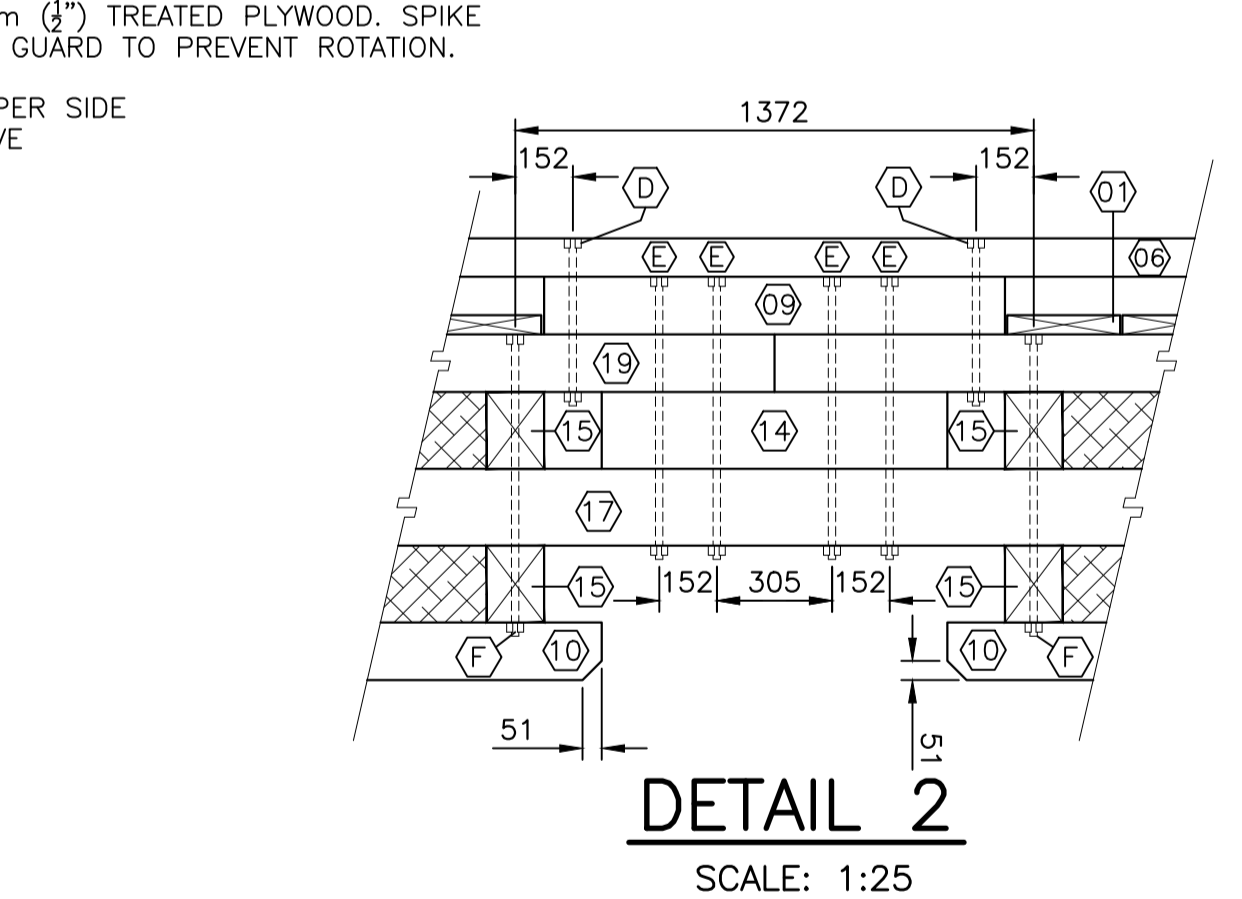
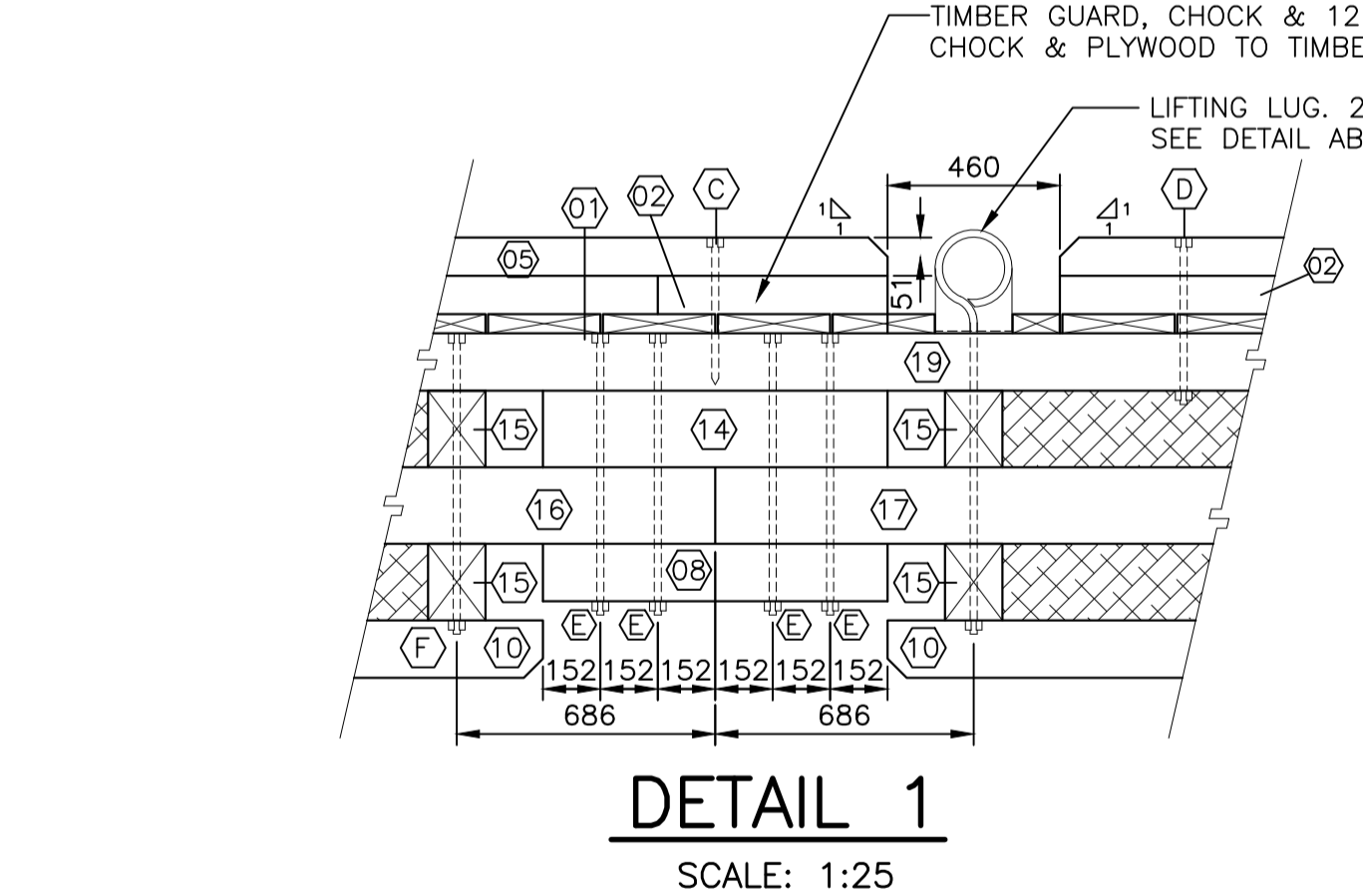
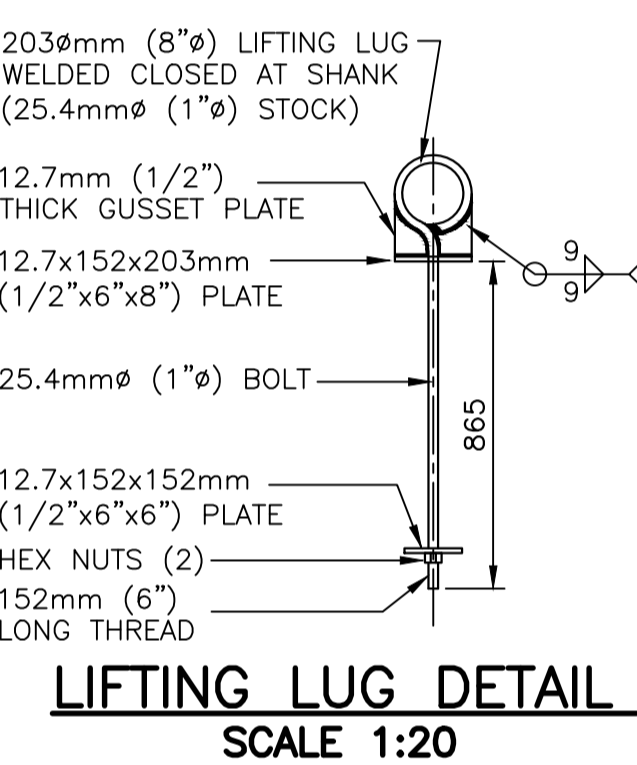
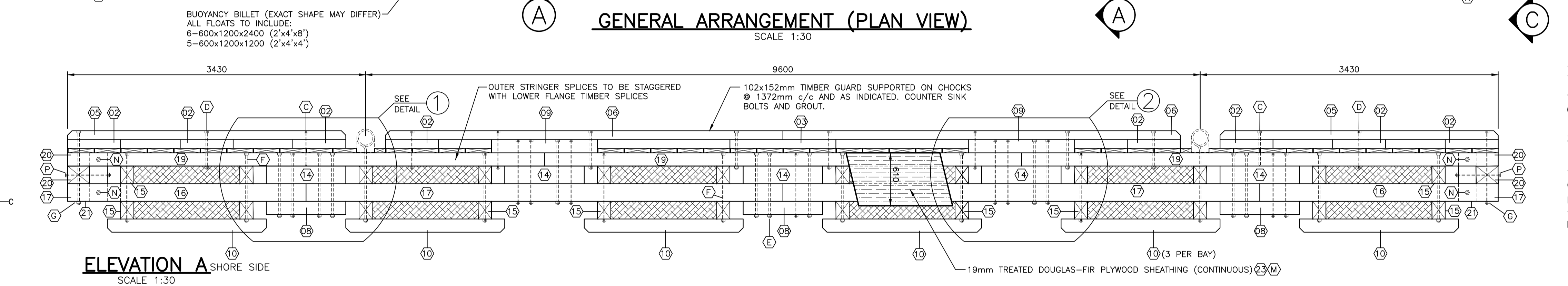
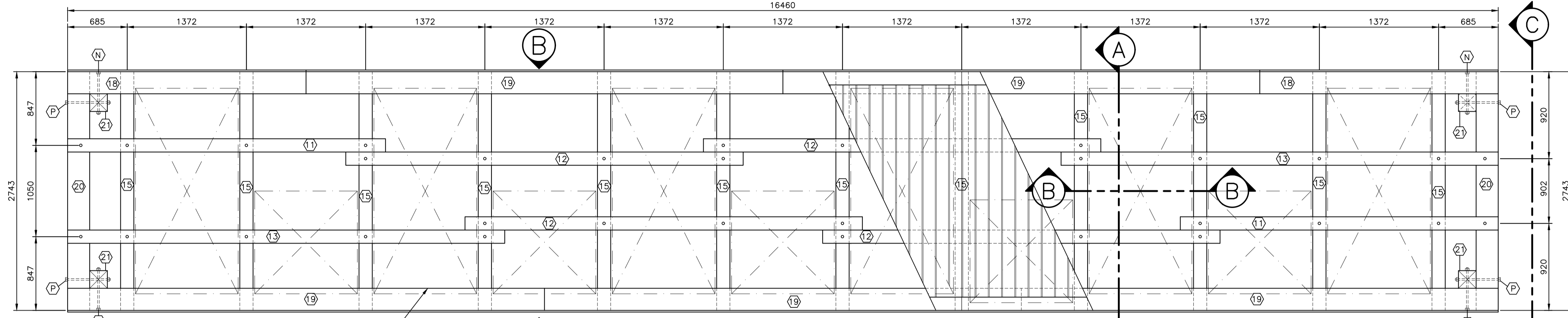
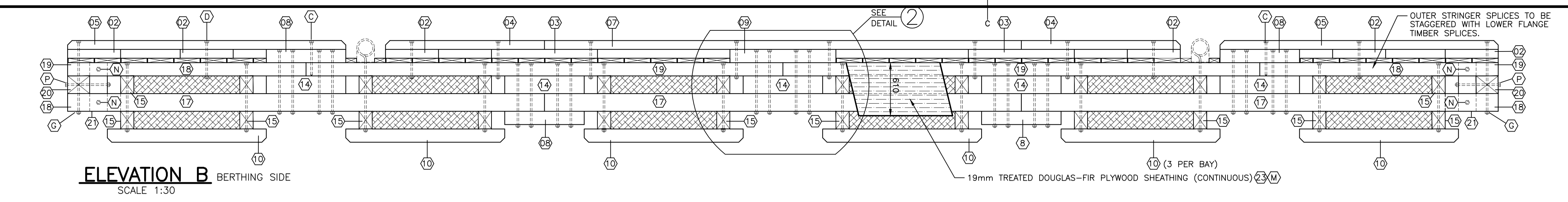
drawing no. no. du dessin

6 OF 8



NOTES:

1. ALL TIMBER IS PRESSURE TREATED TO CSA-080-M1983, TABLE 1, WATER BOURNE PRESERVATIVES-C.C.A.
2. ALL HARDWARE ITEMS INCLUDING MACHINE BOLTS, DRIFT BOLTS, NUTS, WASHERS, SPIKES, LIFTING LUGS, ETC. ARE TO BE FABRICATED FROM MEDIUM OR MILD STEEL CONFORMING TO ASTM-A307-80.
3. ALL HARDWARE SUPPLIED BY CONTRACTOR. ITEMS ARE TO BE HOT DIP GALVANIZED WITH A MINIMUM COATING OF 610g/m CONFORMING TO CSA-G164 LATEST EDITION.
4. BUOYANCY BILLETS: TO BE SUPPLIED BY THE CONTRACTOR, TO BE APPROVED BY DEPARTMENT REPRESENTATIVE.
5. IF FLOATING WHARVES ARE BOOMED INTO HARBOUR BASIN, A SPREADER BAR (MIN. 27 FEET LONG) IS REQUIRED. ANY DAMAGE AS THE RESULT OF NO SPREADER USED WILL BE PAID BY THE OPERATOR.



BILL OF MATERIALS (QUANTITY FOR ONE (1) FLOATING WHARF)				
ITEM No	HARDWARE DESCRIPTION	QUANTITY	TREATED TIMBER DESCRIPTION	QUANTITY
A	12x250mm (1/2"x10") DRIFT BOLT	34	01 50x140x2740mm (2"x6"x9'-0") DECKING (DRESSED 1 SIDE)	115
B	19x400mm (3/4"x16") M.B. c/w 100mm (4") THREAD	36	02 102x152x610mm (4"x6"x2'-0") CHOCKING	14
C	19x400mm (3/4"x16") LAG SCREW	4	03 102x152x1220mm (4"x6"x4'-0") CHOCKING	3
D	19x450mm (3/4"x18") M.B. c/w 100mm (4") THREAD	20	04 102x152x1830mm (4"x6"x6'-0") CHAMFERED TIMBERGUARD	2
E	19x750mm (3/4"x30") M.B. c/w 100mm (4") THREAD	40	05 102x152x3200mm (4"x6"x10'-6") CHAMFERED TIMBERGUARD	4
F	19x800mm (3/4"x32") M.B. c/w 150mm (4") THREAD	20	06 102x152x4572mm (4"x6"x15'-0") CHAMFERED TIMBERGUARD	2
G	19x850mm (3/4"x34") M.B. c/w 150mm (4") THREAD	4	07 102x152x5986mm (4"x6"x18'-0") CHAMFERED TIMBERGUARD	1
H	LIFTING LUG c/w HEX NUT & WASHERS (SEE DETAIL)	4	08 152x152x914mm (6"x6"x3'-0") CHOCK BLOCK	7
J	19mm (3/4") HEX NUT-TAPPED OVERSIZE TDS	132	09 152x152x1220mm (6"x6"x4'-0") CHOCK/SPLICE BLOCK	3
K	6mmx75mm (1/4"x3") WASHER c/w 22mm (7/8") HOLE	268	10 152x152x1830mm (6"x6"x6'-0") SKID (CHAMFER BOTH ENDS)	18
L	101.6mm (4") GALV. COMMON SPIKE	690	11 152x152x3658mm (6"x6"x12'-0") STRINGER	2
M	76.2mm (3") STAINLESS STEEL SCREW (OVERSIZE HEAD)	250	12 152x152x4572mm (6"x6"x15'-0") STRINGER	4
N	19x500mm (3/4"x20") M.B. c/w 100mm (4") THREAD	8	13 152x152x5030mm (6"x6"x16'-6") STRINGER	2
P	19x600mm (3/4"x24") M.B. c/w 100mm (4") THREAD	4	14 152x203x914mm (6"x8"x3'-0") SPLICE BLOCK	10
			15 152x203x2743mm (6"x8"x9'-0") CROSS TIE	24
			16 152x229x2743mm (6"x9"x9'-0") FLANGE	2
			17 152x229x5486mm (6"x9"x18'-0") FLANGE	5
			18 152x254x2743mm (6"x10"x9'-0") OUTER STRINGER	2
			19 152x254x5486mm (6"x10"x18'-0") OUTER STRINGER	5
			20 203x305x2743mm (8"x12"x9'-0") END CROSS TIE	2
			21 203x203x560mm (8"x8"x1'-10") BINDER POST	4
			22 102x203x610mm (4"x8"x2'-0") SPACER BLOCK	4
			23 19x1219x2438mm (3/4"x4'-0"x8'-0") DOUGLAS-FIR TREATED PLYWOOD	7

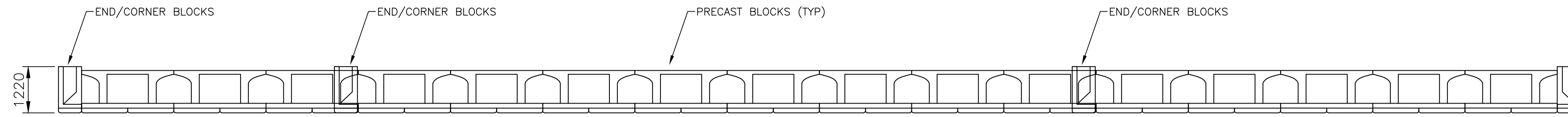
C01	ISSUED FOR TENDER	NOV 23 2020
revisions		date
project		projct

**SKINNER'S COVE
HARBOUR DEVELOPMENT
SERVICE AREA IMPROVEMENTS
SKINNER'S COVE
PICTOU CO. NOVA SCOTIA**

**GENERAL ARRANGEMENT
NEW FLOAT ASSEMBLY
SECTION AND DETAILS**

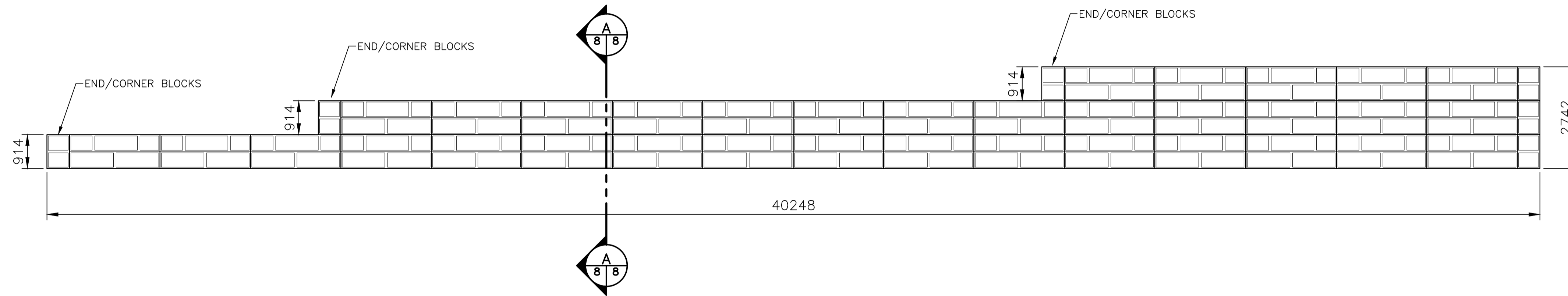
designed	S.C.H. STAFF	conçu
date	2020-10-05	
drawn	S.C.H. STAFF	dessiné
date	2020-10-05	
approved		approuvé
date		
Tender		Soumission
S.M.		
PWGSC Project Manager	Administrateur de projets TPSCG	
project number		no. du projet

723 266
drawing no. 7 OF 8 no. du dessin



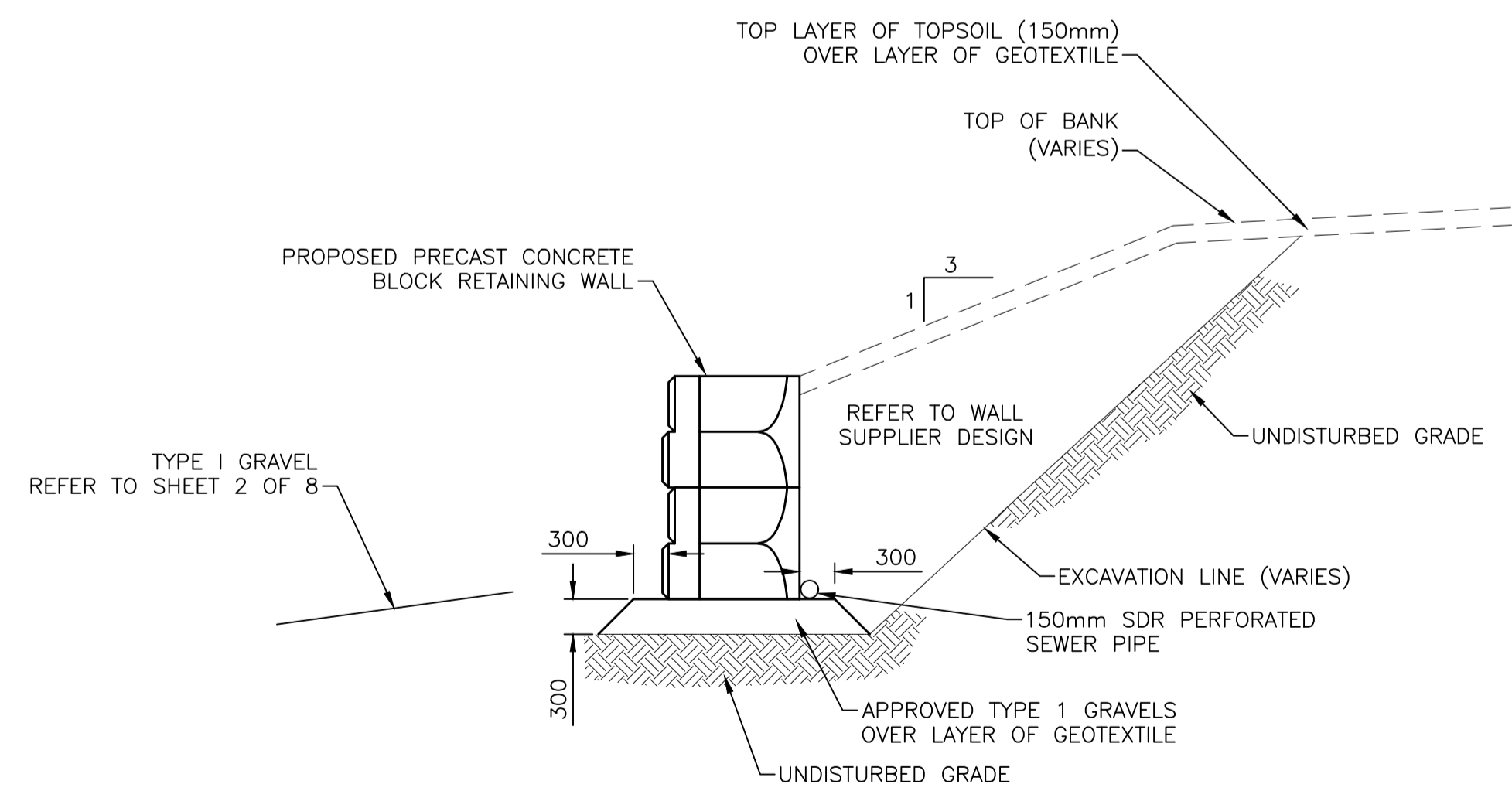
CONCRETE BLOCK WALL PLAN VIEW

SCALE : 1:75
0m 1m 2m 3m 4m 5m 6m 7m 8m 9m 10m



CONCRETE BLOCK WALL FRONT ELEVATION

SCALE : 1:75
0m 1m 2m 3m 4m 5m 6m 7m 8m 9m 10m



**SECTION A-A
TYPICAL CONCRETE BLOCK WALL SECTION**

SCALE: 1:50
0m 1m 2m 3m 4m 5m

C01	ISSUED FOR TENDER	NOV 23 2020
revisions		date

project SKINNER'S COVE HARBOUR DEVELOPMENT SERVICE AREA IMPROVEMENTS SKINNER'S COVE PICTOU CO. NOVA SCOTIA

designed S.C.H. STAFF
date 2020-10-05
drawn S.C.H. STAFF
date 2020-10-05
approved

CONCRETE BLOCK WALL CROSS SECTION

723 266

8 OF 8