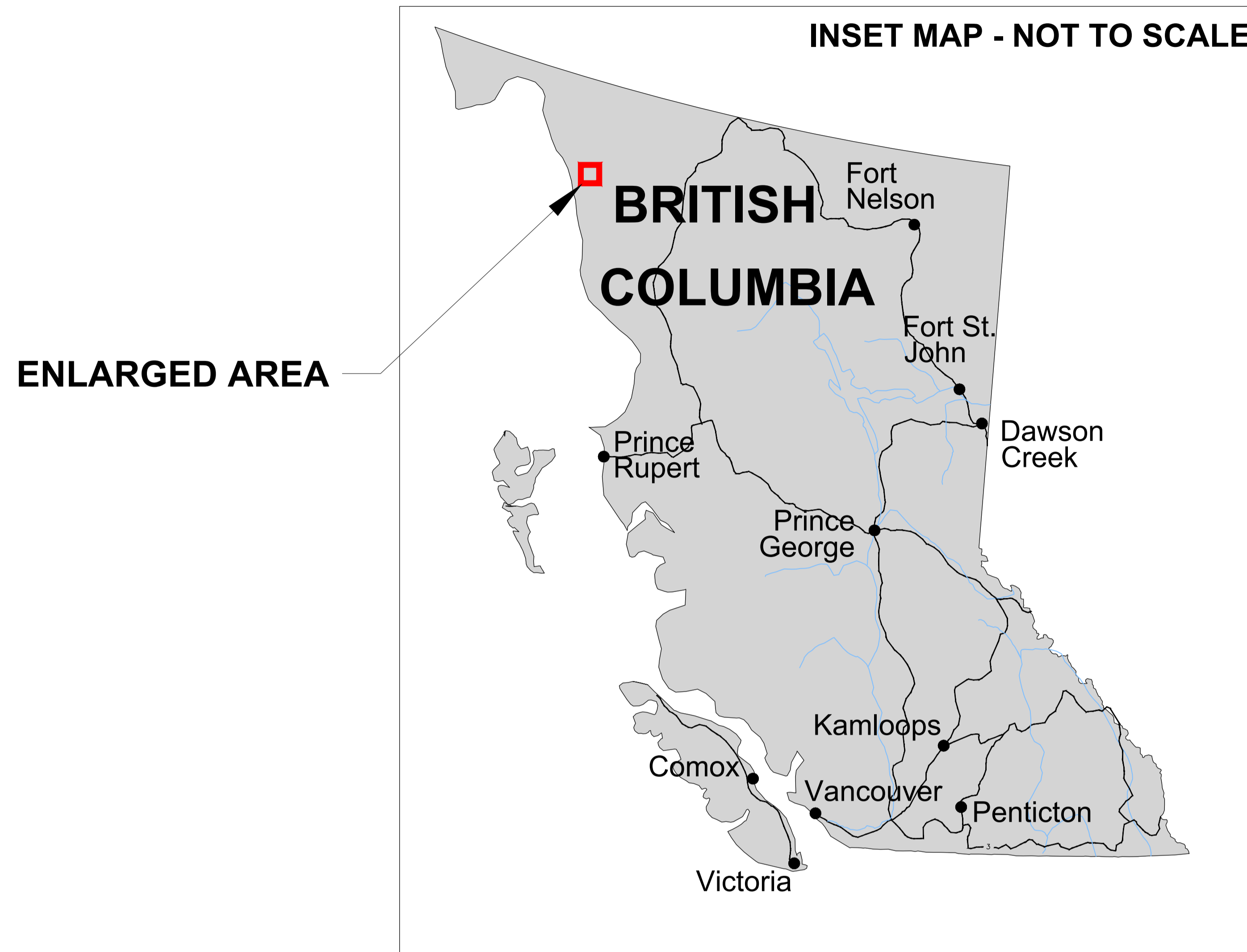


# TAHLTAN RIVER SLIDE SALMON MIGRATION PASSAGE RESTORATION

**NOTE**  
 1. DESIGN VALID THROUGH MARCH 2021.



DRAWING INDEX			
DRAWING No.	SHEET TITLE	REVISION	REVISION DATE
1	KEY PLAN AND DRAWING INDEX	0	2020-12-16
2	GENERAL ARRANGEMENT PLAN	0	2020-12-16
3	ELEVATION VIEW	0	2020-12-16
4	SLOPE DRAPE MESH SPECIFICATIONS	0	2020-12-16

Revision / Révision	Description / Description	Date / Date
0	ISSUED FOR TENDER	2020-12-16
A	ISSUED FOR REVIEW	2020-10-23

Client / client  
**DEPARTMENT OF FISHERIES AND OCEANS**

Project title / Titre du projet  
**TELEGRAPH CREEK  
 BRITISH COLUMBIA**

**TAHLTAN RIVER  
 ROCKSLIDE REMEDIATION  
 PHASE 2**

Consultant Signature Box Only

Designed by / Concept par  
**J. RICHMOND**

Drawn by / Dessiné par  
**A. MAGHERAN**

PWGSC Project Manager / Administrateur de Projets TPSGC  
**A. MIKULICA**

PWGSC, Regional Manager, Architectural and Engineering Services / Gestionnaire régional, services d'architecture et de génie, TPSGC  
**P. PREETIPAL**

Drawing title / Titre du dessin  
**KEY PLAN AND DRAWING INDEX**



Project No. / No. du projet	Sheet / Feuille	Revision no. / La Révision no.
<b>R.112648.001</b>	<b>1</b> OF 4	<b>0</b>





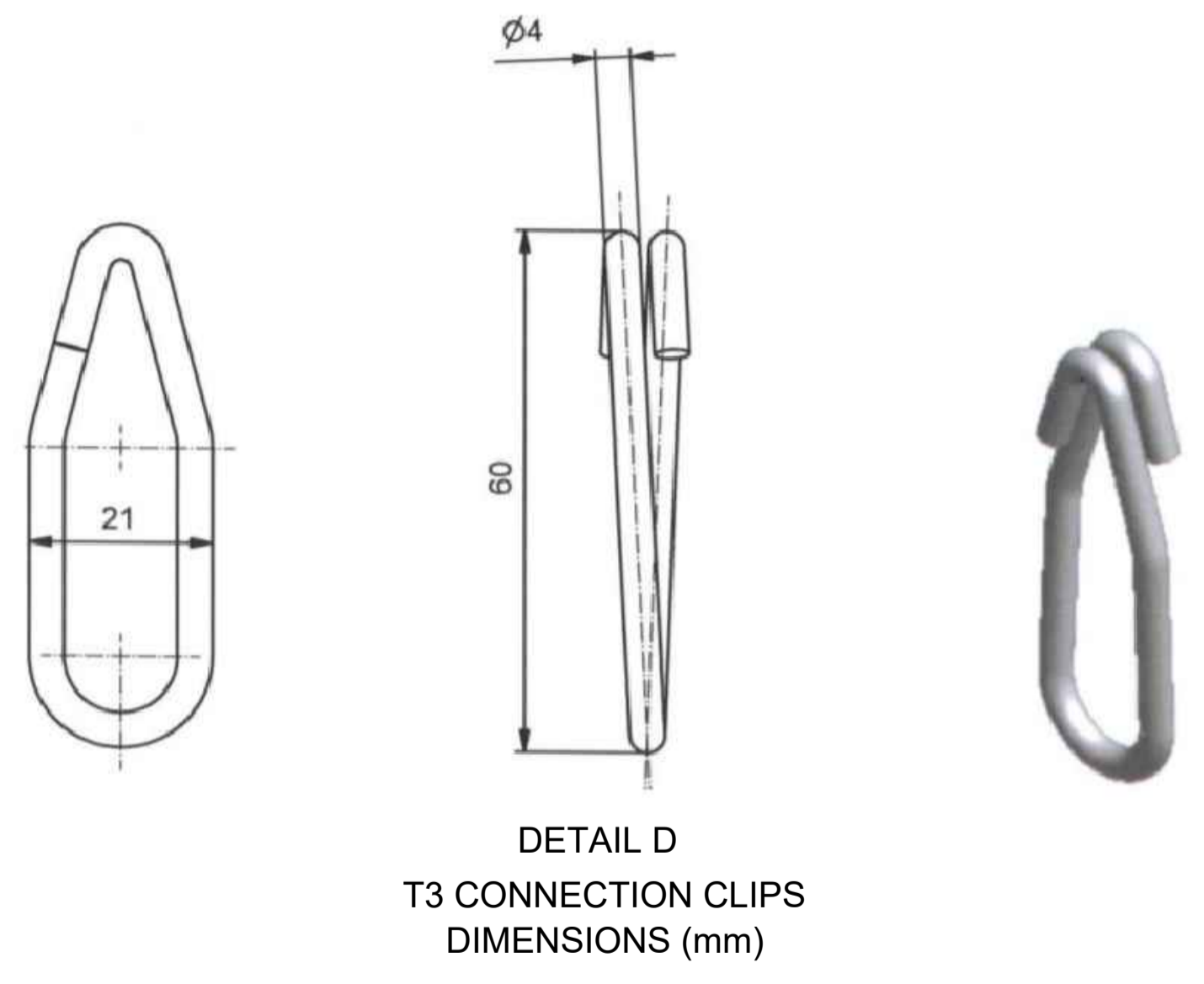
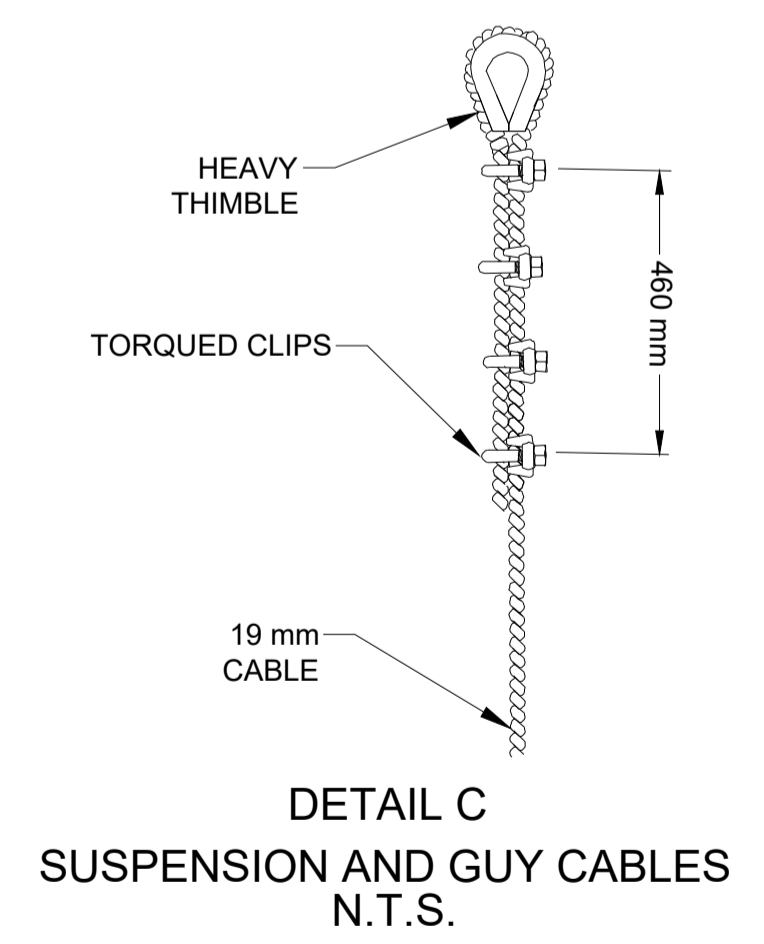
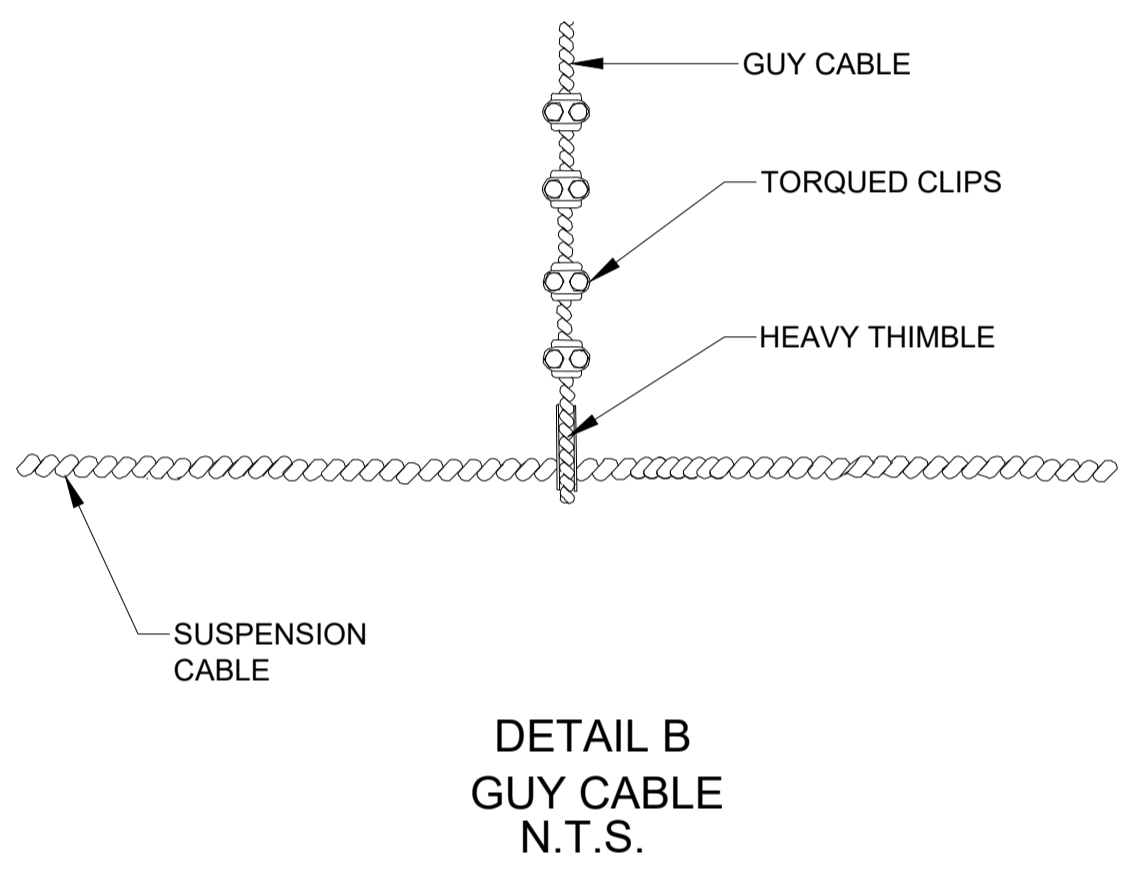
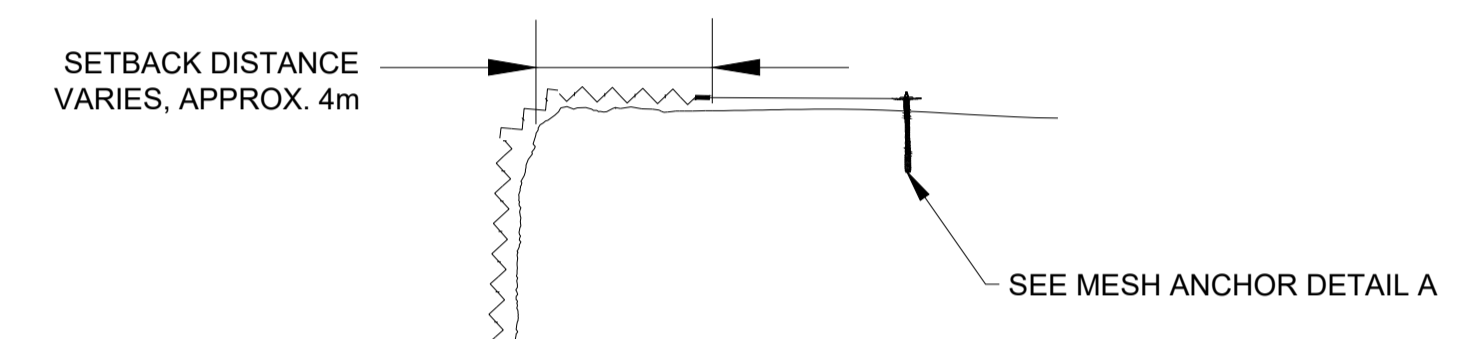
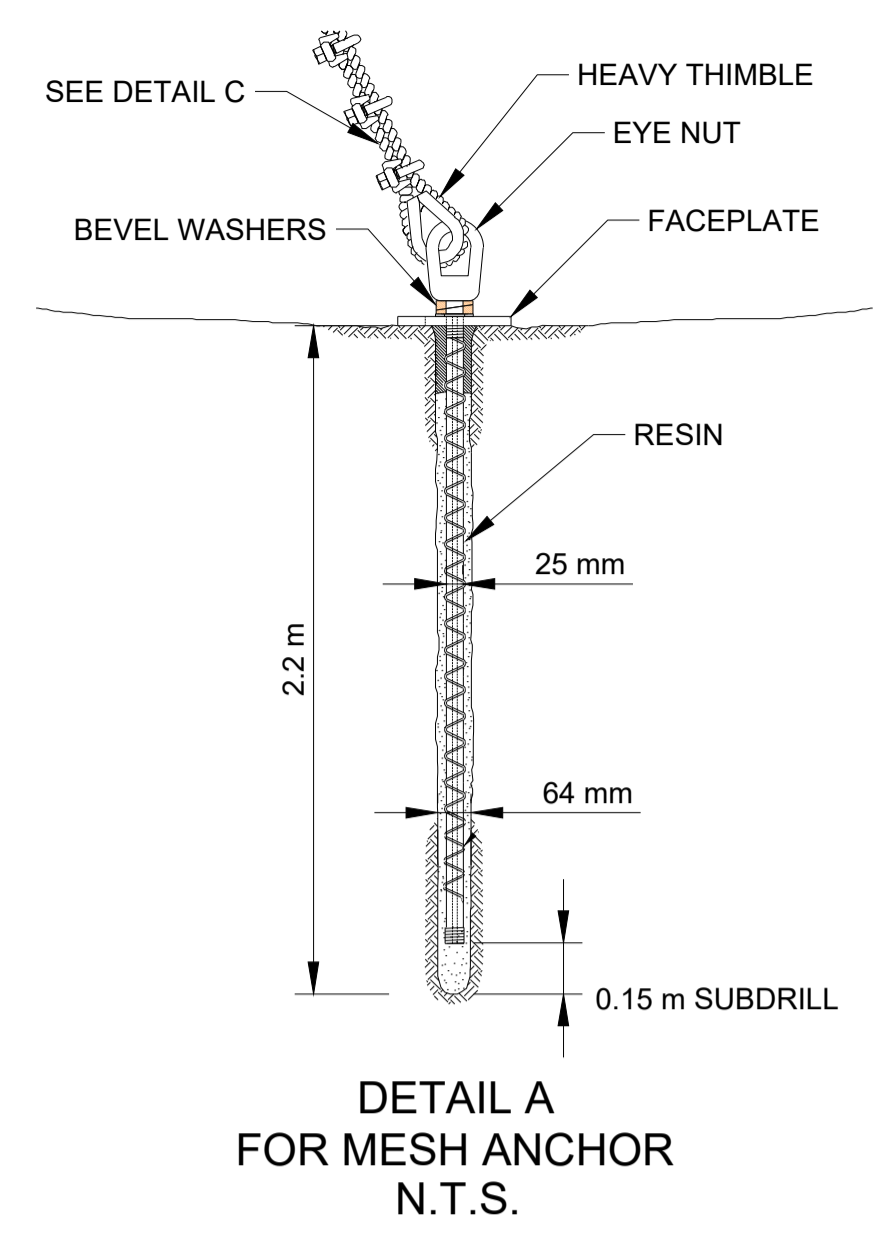
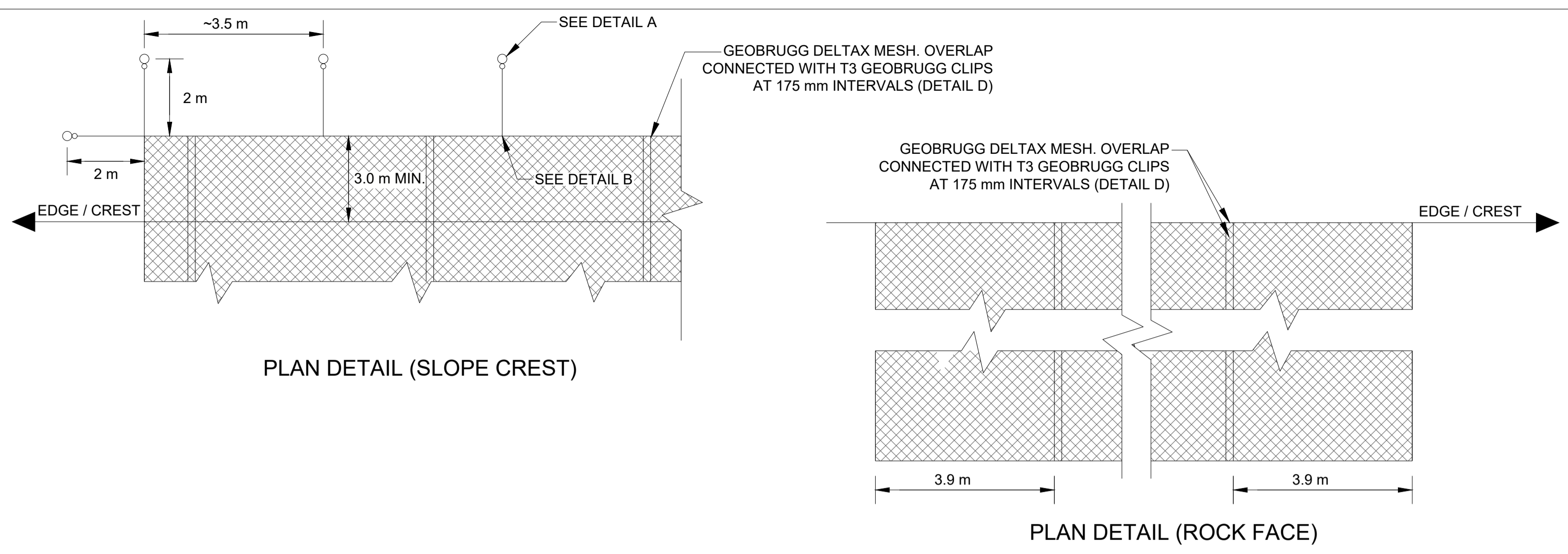








R:\Other Offices\Vanouver\CAD-GIS\Client\PWGSC\Tahtlan99\_PROJECTS\1791733\3000\1004\Proj\Doc\No\_Doc\cheg\02\_PRODUCION\DWG\1791733-3000-1004-01.dwg [004 - DRAPE MESH SPECS] December 16, 2020 - 2:11:47 pm (BY: MAGHERAN, ALEX)



- NOTES**
- MESH IS GEOBRUGG DELTAX IN 30 m LONG ROLLS, 3.9 m WIDE. SEE INCLUDED PRODUCT DATA SHEET.
  - VERTICAL OVERLAPS ARE CLIPPED WITH T3 CLIPS AT 175 mm INTERVALS.
  - TOP OF SLOPE MESH ANCHORS WERE GROUTED HOWEVER SEVERAL ARE NOW LOOSE AND CAN BE WIGGLED BY HAND. INSTALLED WINTER OF 2018. STEEL COMPONENTS (EXCEPT MESH) ARE NOW VISIBLY RUSTY.
  - DESIGN VALID THROUGH MARCH 2021.

- REFERENCE**
- CONNECTION CLIP T3 FOR HIGH-TENSILE STEEL WIRE MESH TECCO.

Revision / Revision	Description / Description	Date / Date
0	ISSUED FOR TENDER	2020-12-16
A	ISSUED FOR REVIEW	2020-10-23

Client/client  
**DEPARTMENT OF FISHERIES AND OCEANS**

Project title/Titre du projet  
**TELEGRAPH CREEK BRITISH COLUMBIA**  
**TAHLTAN RIVER ROCKSLIDE REMEDIATION PHASE 2**

Consultant Signature Box Only  
 Designed by/Concept par **J. RICHMOND**  
 Drawn by/Dessiné par **A. MAGHERAN**  
 PWGSC Project Manager/Administrateur de Projets TPSC **A. MIKULICA**  
 PWGSC, Regional Manager, Architectural and Engineering Services / Gestionnaire régional, services d'architecture et de génie, TPSC **P. PREETIPAL**

Drawing title/Titre du dessin  
**SLOPE DRAPE MESH DETAILS**



Project No./No. du projet <b>R.112648.001</b>	Sheet/Feuille <b>4</b> OF 4	Revision no./La Révision no. <b>0</b>
--	-----------------------------------	--

