

Public Works and
Government Services
Canada

Travaux publics et
Services gouvernementaux
Canada

REAL PROPERTY SERVICES
Pacific Region

SERVICES IMMOBILIERS
Région de Pacifique

ESQUIMALT GRAVING DOCK - EAST END EXTENSION AND SECTION 3 DOCK FLOOR AND WALL REFURBISHMENT

PROJECT NO. R.096320.002

STRUCTURAL DRAWING LIST

<u>DRAWING NUMBER</u>	<u>DESCRIPTION</u>
S000	COVER SHEET AND DRAWING LIST
S001	GENERAL NOTES
S100	EXISTING SITE PLAN – SHEET 1
S101	EXISTING SITE PLAN – SHEET 2
S103	GENERAL ARRANGEMENT – SHEET 1
S104	GENERAL ARRANGEMENT – SHEET 2
S105	CONTRACTORS WORK AREA
S108	DEMOLITION PLANS
S109	DEMOLITION – PHOTOS
S120	EXCAVATION – POTENTIAL SEQUENCE PHASE 1 PLANS
S121	EXCAVATION – POTENTIAL SEQUENCE PHASE 2 PLANS
S122	EXCAVATION – PLAN AND SECTIONS
S123	EXCAVATION – CONDITIONS AT EXISTING WALLS
S201	ROCK ANCHORS – SHEET 1
S202	ROCK ANCHORS – SHEET 2
S203	CONCRETE OUTLINE – SHEET 1
S204	CONCRETE OUTLINE – SHEET 2
S205	CONCRETE OUTLINE – SHEET 3
S206	CONCRETE REINFORCEMENT – SHEET 1
S207	CONCRETE REINFORCEMENT – SHEET 2
S208	CONCRETE REINFORCEMENT – SHEET 3
S209	CONCRETE REINFORCEMENT – SHEET 4
S210	CONCRETE REINFORCEMENT – SHEET 5
S211	WALL ELEVATIONS
S250	NORTH ACCESS CHAMBER – CONCRETE OUTLINE
S251	SOUTH ACCESS CHAMBER – CONCRETE OUTLINE
S252	NORTH AND SOUTH ACCESS CHAMBERS – REINFORCEMENT DETAILS
S253	ACCESS CHAMBER DETAILS
S260	CONSTRUCTION RETAINING WALL

<u>DRAWING NUMBER</u>	<u>DESCRIPTION</u>
S300	HANDRAIL LOCATION PLAN
S301	HANDRAIL DETAILS
S302	ACCESS CHAMBER SHIP LADDER
S303	ACCESS CHAMBER – LADDER OPENING COVER, HATCH COVER AND HATCH GRATE
S304	CRANE RAIL AND BEAM
S400	REMOVABLE BRIDGE – SHEET 1
S401	REMOVABLE BRIDGE – SHEET 2
S500	CONCRETE REFURBISHMENT – GENERAL ARRANGEMENT
S510	CONCRETE REFURBISHMENT – DEMOLITION PLAN
S520	FLOOR REPAIR PLAN – SHEET 1
S521	FLOOR REPAIR PLAN – SHEET 2
S522	FLOOR REPAIR PLAN – SHEET 3
S530	NORTH WALL REPAIR
S540	SOUTH WALL REPAIR
S550	STAIRWELL REPAIR
S560	FLOOR REPAIR GRADING PLAN – SHEET 1
S561	FLOOR REPAIR GRADING PLAN – SHEET 2
S562	FLOOR REPAIR GRADING PLAN – SHEET 3
S570	FLOOR AND SERVICE SILL REPAIR DETAILS – SHEET 1
S571	FLOOR AND SERVICE SILL REPAIR DETAILS – SHEET 2
S580	WALL AND STAIR REPAIR DETAILS – SHEET 1
S581	WALL AND STAIR REPAIR DETAILS – SHEET 2
S582	WALL AND STAIR REPAIR DETAILS – SHEET 3
S590	STEEL DETAILS

CIVIL DRAWING LIST

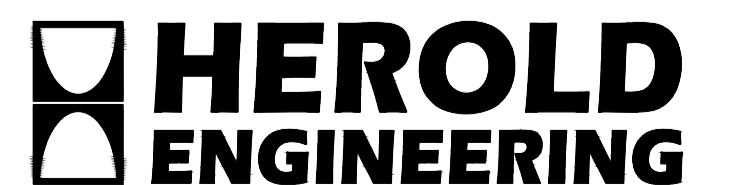
<u>DRAWING NUMBER</u>	<u>DESCRIPTION</u>
C001	EXISTING SERVICES
C002	TEMPORARY SERVICES
C003	NEW SERVICES
C004	SITE GRADING

ELECTRICAL DRAWING LIST

<u>DRAWING NUMBER</u>	<u>DESCRIPTION</u>
E100	LEGEND, AND EXISTING SITE PLAN NEAR DOCK END
E200	EXISTING SITE PLAN POWER AND DATA END TO END CONNECTIONS ROUTING
E300	REVISED SITE PLAN EAST END DUCT BANK RECONNECTIONS
E301	DUCT BANK SECTION DETAILS
E303	EXPLODED MANHOLE DETAILS
E400	REVISED SITE PLAN POWER AND DATA END TO END CONNECTIONS ROUTING
E401	EXISTING COMMUNICATIONS NEW CONNECTIONS RISER DIAGRAM

MECHANICAL DRAWING LIST

<u>DRAWING NUMBER</u>	<u>DESCRIPTION</u>
M100	COVERSHEET – SANITARY, WATER AND COMPRESSED AIR RENOVATIONS
M200	EXISTING SITE PLAN – SANITARY, WATER AND COMPRESSED AIR
M201	NEW SITE PLAN – SANITARY, WATER AND COMPRESSED AIR RENOVATIONS
M202	GRAVING DOCK – WATER LINE REPLACEMENT
M300	MECHANICAL LARGE SCALE PLANS AND SECTIONS
M301	MECHANICAL DETAILS



H.E.L. PROJECT FILE: 3191-017
DRAWING No. S000



DESIGN CRITERIA:

- DESIGN BASIS: CAN/CSA S6-19, CANADIAN HIGHWAY BRIDGE DESIGN CODE (CHBDC)
 - APRON LIVE LOADS: (ALL LOADS ARE UNFACTORED)
 - UNIFORMLY DISTRIBUTED LOAD (UDL): 48kPa
 - APRON UDL NEED NOT BE CONSIDERED COINCIDENT WITH VEHICLE WHEEL LOADS
 - AXLE LOADING:
 - TRUCK LOADING (CL-625 PER S6, LATEST VERSION):
 - FRONT AXLE: 50kN (DISTRIBUTED TO 2 WHEELS)
 - REAR TANDEM AXLES: 175kN (DISTRIBUTED TO 4 PAIRS OF WHEELS)
 - MOBILE CRANE LOADING (GROVE GRT880E):
 - FRONT AXLE: 269kN (DISTRIBUTED TO 2 WHEELS)
 - REAR AXLE: 247kN (DISTRIBUTED TO 2 WHEELS)
 - OUTRIGGER LOAD: 375kN ON 775mmØ PAD
 - ESQUIMALT FIRE TRUCK (TYPE 1), 1993 THIBAUT ENGINE:
 - FRONT AXLE: 75kN (DISTRIBUTED TO 2 WHEELS)
 - REAR AXLE: 100kN (DISTRIBUTED TO 2 PAIRS OF WHEELS)
 - ESQUIMALT FIRE TRUCK (TYPE 2), 1999 E LADDER TRUCK:
 - FRONT AXLE: 85kN (DISTRIBUTED TO 2 WHEELS)
 - REAR TANDEM AXLES: 210kN (DISTRIBUTED TO 4 PAIRS OF WHEELS)
 - ESQUIMALT FIRE TRUCK (TYPE 3), 2008 FORT GARY RESCUE TRUCK:
 - FRONT AXLE: 55kN (DISTRIBUTED TO 2 WHEELS)
 - REAR AXLE: 105kN (DISTRIBUTED TO 2 PAIRS OF WHEELS)
 - ESQUIMALT FIRE TRUCK (TYPE 4), 2018 ROSENBAUER:
 - FRONT AXLE: 101kN (DISTRIBUTED TO 2 WHEELS)
 - REAR TANDEM AXLES: 280kN (DISTRIBUTED TO 4 PAIRS OF WHEELS)
- DYNAMIC LOAD ALLOWANCE (DLA) SHOULD BE ADDED TO ALL AXLE/WHEEL LOADS.
- 30T GANTRY CRANE:
 - MAXIMUM WHEEL LOADS (ALL LOADS ARE UNFACTORED)
 - STATIC LOAD: 299kN
 - OPERATING LOAD: 377kN
 - WORKING WIND LOAD: 464kN
- DRY DOCK FLOOR SLAB LIVE LOADING: (ALL LOADS ARE UNFACTORED)
 - KEEL BLOCKS: 2,640kPa
- LIVE LOADING WITHIN ACCESS CHAMBER: (ALL LOADS ARE UNFACTORED) UNIFORMLY DISTRIBUTED LOAD (UDL) = 3.6kPa
- MOORING LOADS: (ALL LOADS ARE UNFACTORED)
 - 37.5 TONNE CLEAT: 334kN
THE MOORING LINE LOADS CAN BE APPLIED AT UP TO 30° ABOVE HORIZONTAL, AND IN ANY OFFSHORE DIRECTION (-90° TO +90°) ON PLAN.
- SEISMIC LOADS: LOADING BASED ON SITE SPECIFIC SEISMIC DATA OBTAINED FROM NATIONAL RESOURCES CANADA, FOR THE A2475 EVENT IN ACCORDANCE WITH NBC 2015 AS FOLLOWS:

	A2475 EVENT
PROBABILITY OF EXCEEDANCE PER ANNUM	0.000404
PROBABILITY OF EXCEEDANCE IN 50 YEARS	2%
Sa(0.2)	1.310
Sa(0.5)	1.169
Sa(1.0)	0.688
Sa(2.0)	0.407
PEAK HORIZONTAL GROUND ACCELERATION, A	0.586g

GENERAL NOTES:

GENERAL:

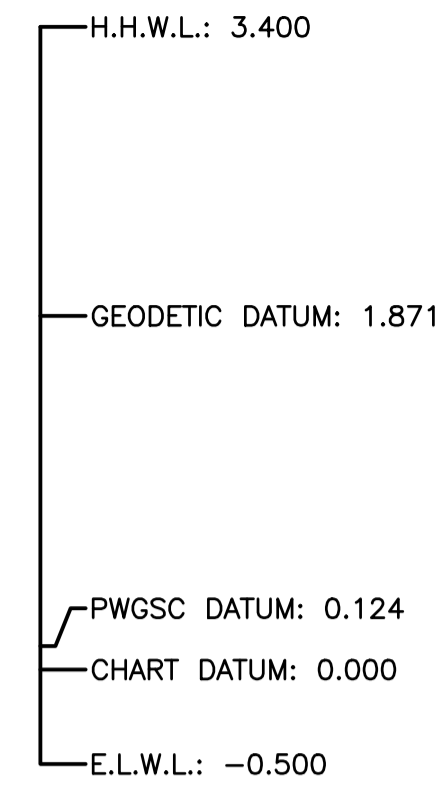
- READ STRUCTURAL DRAWINGS IN CONJUNCTION WITH ALL OTHER CONTRACT DRAWINGS AND DOCUMENTS. REPORT ANY CONFLICTS TO THE DEPARTMENTAL REPRESENTATIVE BEFORE COMMENCING WORK.
- VERIFY ALL DIMENSIONS AND ELEVATIONS PRIOR TO CONSTRUCTION.
- CONTRACTOR'S RESPONSIBILITY: THESE DRAWINGS SHOW COMPLETED STRUCTURAL COMPONENTS. THE REQUIRED TEMPORARY FALSEWORK, FORMWORK, BRACING AND SHORING TO PERFORM THE WORK SAFELY IS THE RESPONSIBILITY OF THE CONTRACTOR.
- ENVIRONMENTAL WORK PROCEDURES, TIMING, AND SPECIAL PRECAUTIONS SHALL BE IN ACCORDANCE WITH THE SPECIFICATIONS.
- NOTIFY DEPARTMENTAL REPRESENTATIVE 48 HOURS IN ADVANCE FOR REVIEW OF STRUCTURAL COMPONENTS BEFORE COVERING UP.
- UNDER NO CIRCUMSTANCES SHALL DRAWINGS BE SCALED. COMPONENTS MAY BE SHOWN SCHEMATICALLY.
- ELEVATIONS ARE IN METRES AND DIMENSIONS ARE IN MILLIMETRES.
- DATUM: ELEVATIONS ON DRAWINGS ARE GIVEN TO GEODETIC DATUM.

TIDE ELEVATIONS:	CHART DATUM:	GEODETIC DATUM:
EXTREME HIGH WATER LEVEL (E.H.W.L.)	3.8m	1.929m
HIGHER HIGH WATER LEVEL (H.H.W.L.)	3.4m	1.529m
MEAN WATER LEVEL (M.W.L.)	1.9m	0.029m
LOWER LOW WATER LEVEL (L.L.W.L.)	0.1m	-1.971m
EXTREME LOW WATER LEVEL (E.L.W.L.)	-0.5m	-2.371m

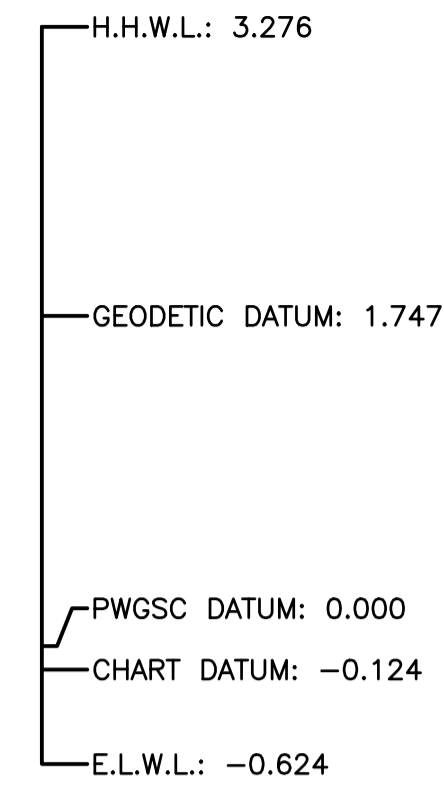
PWGSC SITE BENCHMARK IS "BOLT". FROM PWGSC PLAN SK4593-1 DATED OCTOBER 1989, "BOLT" IS ELEVATION 4.725m TO PWGSC DATUM, BOLT IS 4.849m ABOVE L.L.W.L.; L.L.W.L. IS 0.124m BELOW PWGSC DATUM 0.0; L.L.W.L. IS 1.871m BELOW GEODETIC ELEVATION.

- TO CONVERT FROM GEODETIC DATUM TO CHART DATUM, ADD 1.871m.
- TO CONVERT FROM GEODETIC DATUM TO PWGSC DATUM, ADD 1.747m.
- TO CONVERT FROM PWGSC DATUM TO CHART DATUM, ADD 0.124m.

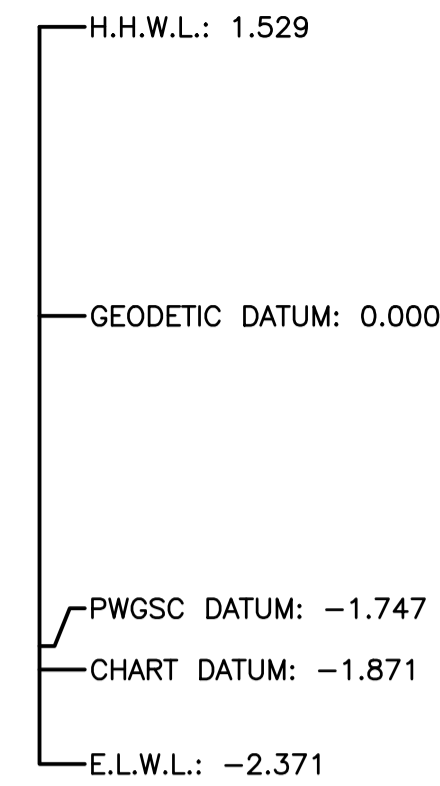
CHART



PWGSC



GEODETIC



DATUM CONVERSION

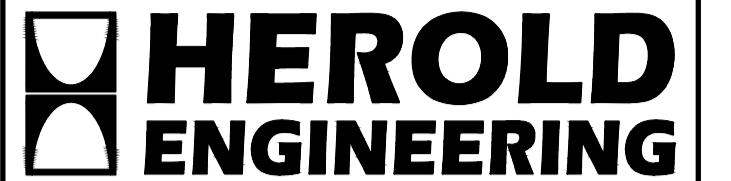
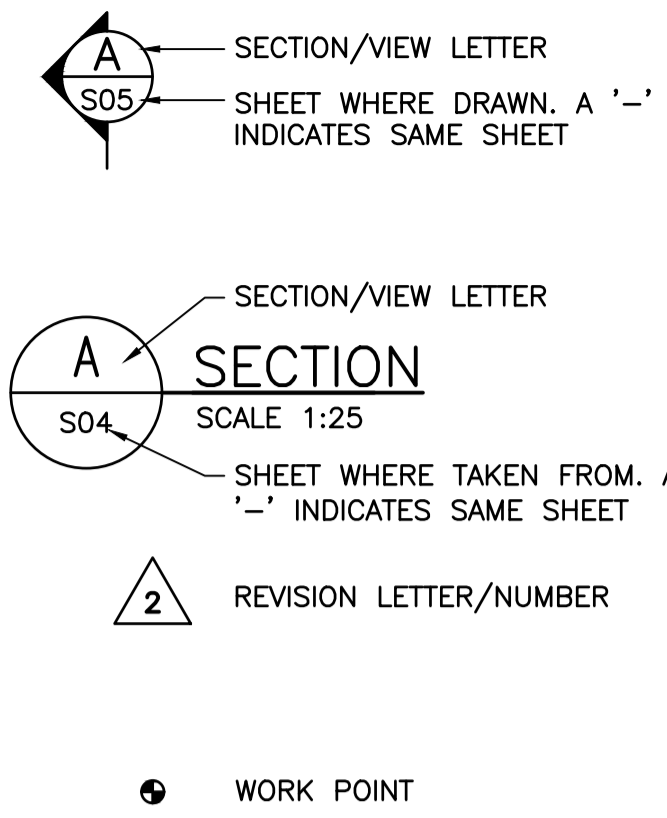
SCALE N.T.S.

SYMBOLS AND ABBREVIATIONS

- CL. - CLEAR
- CL. - CENTRELINE
- CJ - CONTROL JOINT
- CP. - COMPLETE PENETRATION
- CRB - CONCRETE ROAD BARRIER
- C/W - COMPLETE WITH
- DWG. - DRAWING
- EL. - ELEVATION
- FB - FLAT BAR
- GB - GRADE BREAK
- HORZ - HORIZONTAL
- I.D. - INSIDE DIAMETER
- LLH - LONG LEG HORIZONTAL
- LLV - LONG LEG VERTICAL
- m - METRES
- mm - MILLIMETRES
- MAX. - MAXIMUM
- MIN. - MINIMUM
- N.T.S. - NOT TO SCALE
- OPP. - OPPOSITE
- PL - PLATE
- PROJ. - PROJECTION
- PWGSC - PUBLIC WORKS AND GOVERNMENT SERVICES CANADA
- R - RADIUS
- REV. - REVISION
- SIM. - SIMILAR
- SJ - SAWCUT CONTROL JOINT
- S.S. OR SS - STAINLESS STEEL
- T.S. - TOP OF
- TYP. - TYPICAL
- U/S - UNDERSIDE
- U.N.O. - UNLESS NOTED OTHERWISE
- UHMWPE - ULTRA HIGH MOLECULAR WEIGHT POLYETHYLENE
- VERT - VERTICAL
- WP - WORK POINT

REINFORCEMENT ABBREVIATIONS

- 25M2300 - 25M STRAIGHT BAR, 2300 LONG
- 15M H1E - 15M BAR, STANDARD HOOK 1-END
- 15M H2E - 15M BAR, STANDARD HOOK 2-ENDS
- 15M H1E500 - 15M BAR, 500 LONG HOOK 1-END
- 20MSS - 20M STAINLESS STEEL BAR



HEL JOB FILE: 3191-017



Revision/	Description/Description	Date/Date
C	TENDER	2021.01.07
B	99% REVIEW	2020.07.10
A	75% REVIEW	2020.05.20

Client/client
PUBLIC WORKS AND GOVERNMENT SERVICES CANADA

Project title/Titre du projet
ESQUIMALT GRAVING DOCK 825 ADMIRALS ROAD, VICTORIA, BC

ESQUIMALT GRAVING DOCK EAST END EXTENSION AND SECTION 3 DOCK FLOOR AND WALL REFURBISHMENT

Consultant Signature Only

Designed by/Concept par
KU / MGCS

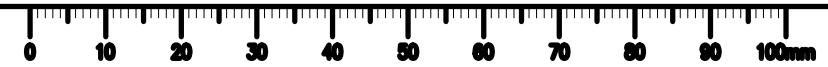
Drawn by/Dessiné par
JJMC

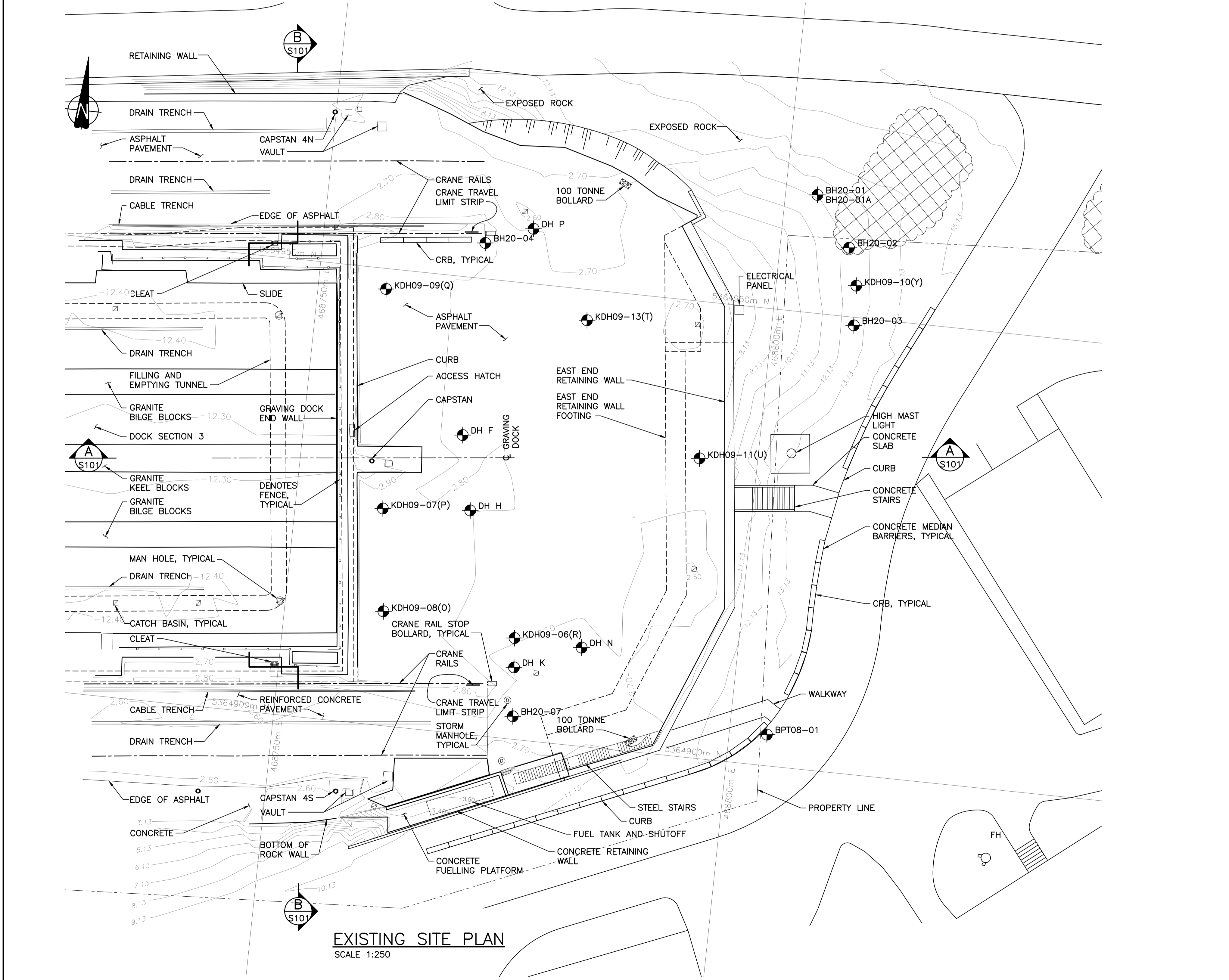
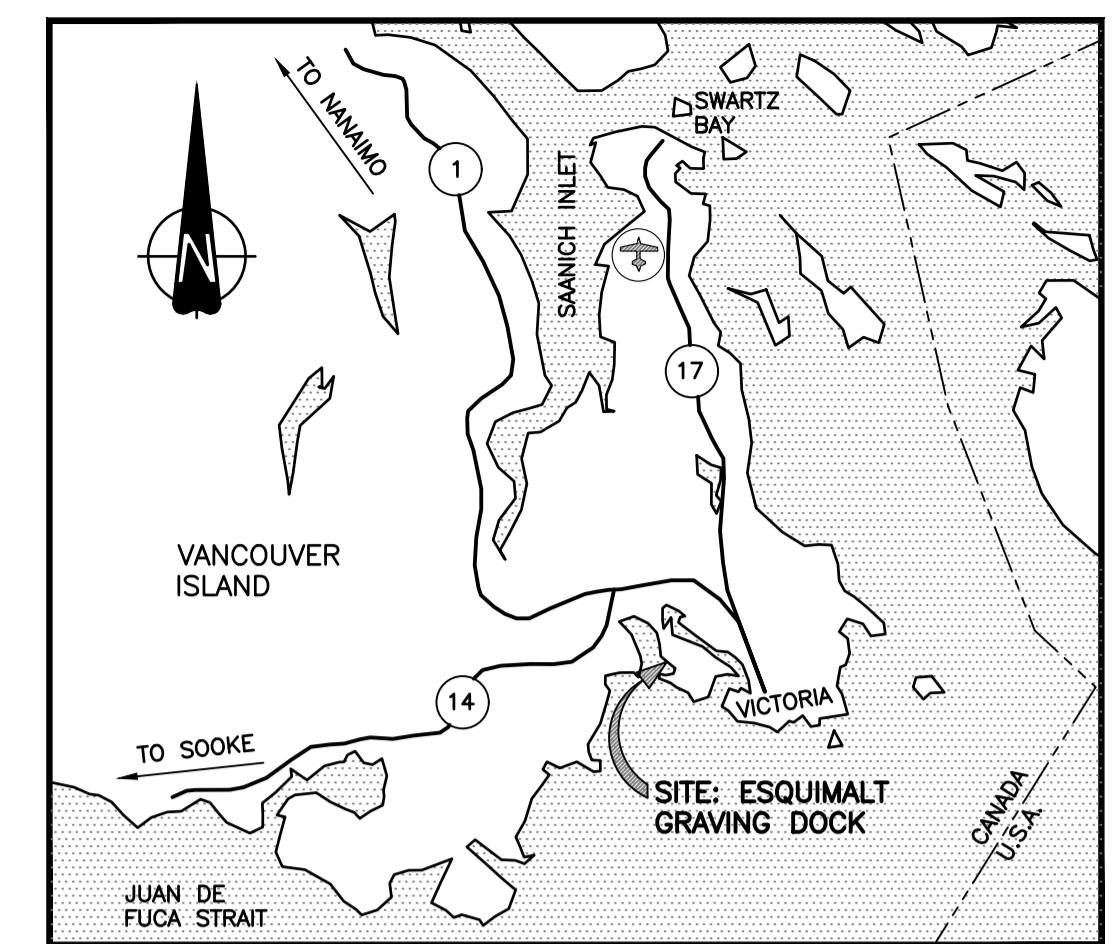
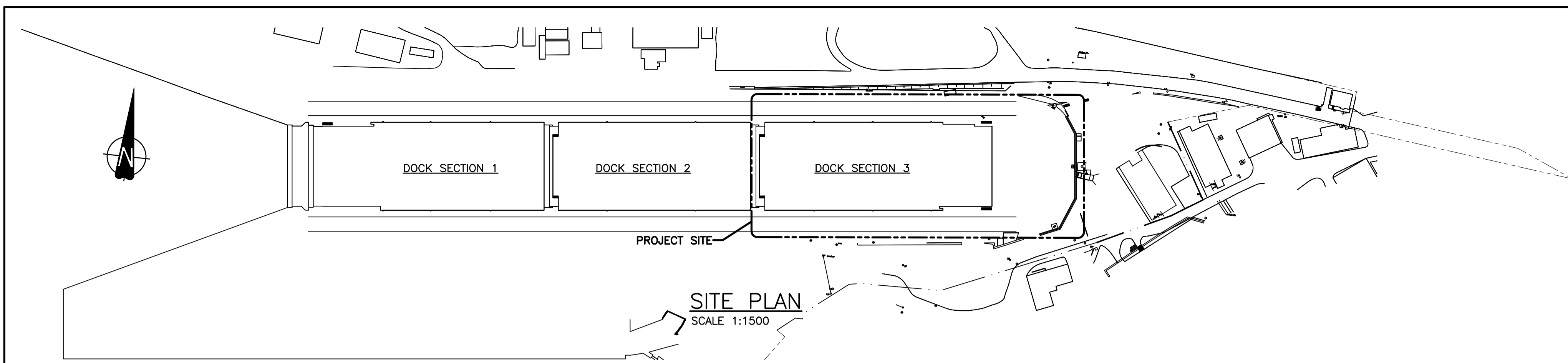
PWGSC Project Manager/Administrateur de Projets TPSGC
EUGENE YEUNG

Regional Manager, Architectural and Engineering Services
Regional Manager, Environmental Services
PREETIPAL PAUL

Drawing title/Titre du dessin
GENERAL NOTES

Project No./No. du projet	Sheet/Fauille	Revision no./La Révision no.
R.096320.002	S001	C





Revision/	Description/Description	Date/Date
C	TENDER	2021.01.07
B	90% REVIEW	2020.07.10
A	75% REVIEW	2020.05.20

PUBLIC WORKS AND GOVERNMENT SERVICES CANADA

Project title/Titre du projet
ESQUIMALT GRAVING DOCK
 825 ADMIRALS ROAD, VICTORIA, BC

ESQUIMALT GRAVING DOCK EAST END EXTENSION AND SECTION 3 DOCK FLOOR AND WALL REFURBISHMENT

Consultant Signature Only

Designed by/Concept par
 KU / MGCS

Drawn by/Dessiné par
 JJMC

PWGC Project Manager/Administrateur de Projets TPSCG
 EUGENE YEUNG

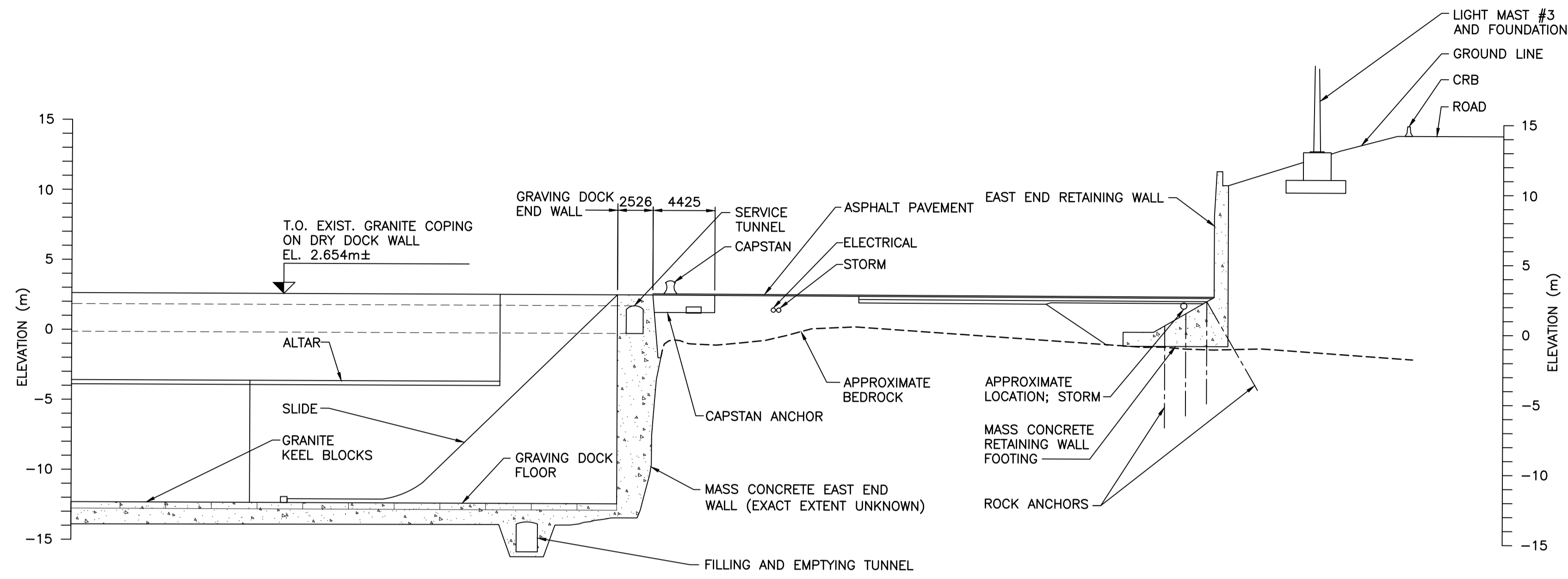
Regional Manager, Architectural and Engineering Services
 Regional Manager, Environmental Services
 PREETIPAL PAUL

Drawing title/Titre du dessin
EXISTING SITE PLAN - SHEET 1

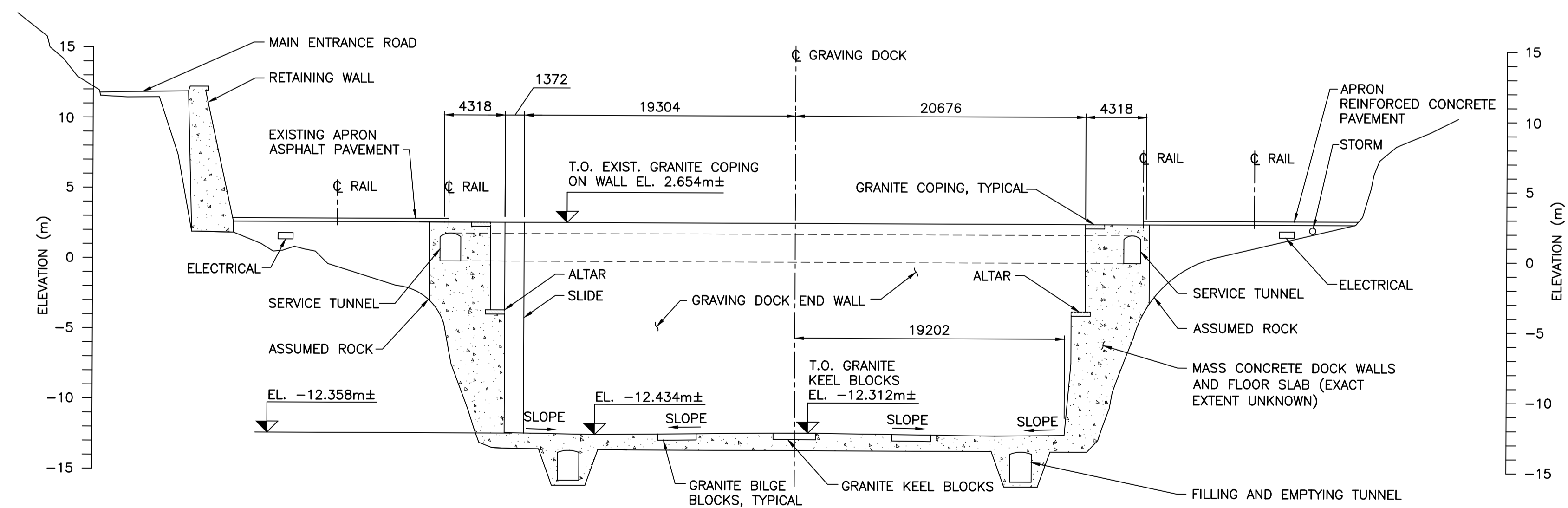
Project No./No. du projet	Sheet/Feuille	Revision no./La Révision no.
R.096320.002	S100	C

- NOTES:**
- FOR GENERAL NOTES, SEE DWG. S001.
 - DIMENSIONS AND SERVICES SHOWN FOR THE EXISTING ESQUIMALT GRAVING DOCK ARE INFERRED FROM A SURVEY COMPLETED BY WSP ON JANUARY 10TH AND 13TH, 2020 AND DRAWINGS PREPARED BY KLOHN CRIPPEN BERGER.

- LEGEND:**
- SONGHEES FIRST NATION "MIDDEN SOIL PILES"
 - APPROXIMATE BOREHOLE LOCATION, SEE GEOTECHNICAL ASSESSMENT REPORT PREPARED BY WSP CANADA INC. (FILE NO: 201-00771-00) AND DATED JUNE 22ND, 2020.



A SECTION
S100 SCALE 1:250



B SECTION
S100 SCALE 1:250

Revision/	Description/Description	Date/Date
C	TENDER	2021.01.07
B	99% REVIEW	2020.07.10
A	75% REVIEW	2020.05.20

Client/client

PUBLIC WORKS AND GOVERNMENT SERVICES CANADA

Project title/Titre du projet
**ESQUIMALT GRAVING DOCK
825 ADMIRALS ROAD, VICTORIA, BC**

**ESQUIMALT GRAVING DOCK
EAST END EXTENSION AND
SECTION 3 DOCK FLOOR
AND WALL REFURBISHMENT**

Consultant Signature Only

Designed by/Concept par
KU / MGCS

Drawn by/Dessiné par
JJMC

PWGCSC Project Manager/Administrateur de Projets TPSCG
EUGENE YEUNG

Regional Manager, Architectural and Engineering Services
Regional Manager, Environmental Services
PREETIPAL PAUL

Drawing title/Titre du dessin
EXISTING SITE PLAN - SHEET 2

Project No./No. du projet	Sheet/Feuille	Revision no./La Révision no.
R.096320.002	S101	C

NOTES:

1. FOR GENERAL NOTES, SEE DWG. S001.



Revision/	Description/Description	Date/Date
C	TENDER	2021.01.07
B	90% REVIEW	2020.07.10
A	75% REVIEW	2020.05.02

PUBLIC WORKS AND GOVERNMENT SERVICES CANADA

Project title/Titre du projet
ESQUIMALT GRAVING DOCK
 825 ADMIRALS ROAD, VICTORIA, BC

ESQUIMALT GRAVING DOCK EAST END EXTENSION AND SECTION 3 DOCK FLOOR AND WALL REFURBISHMENT

Consultant Signature Only

Designed by/Concept par
 KU / MGCS

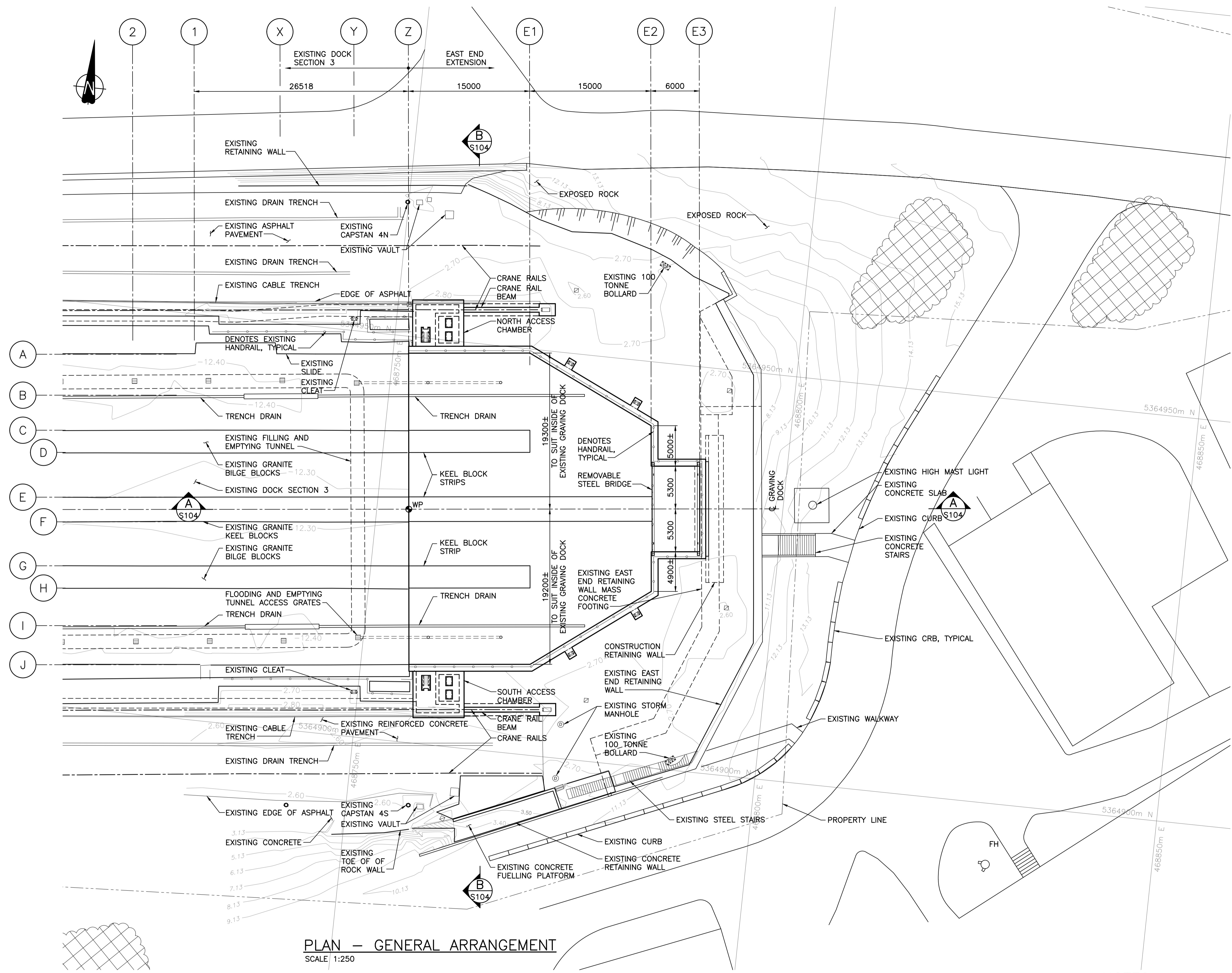
Drawn by/Dessiné par
 JJMC

PWGC Project Manager/Administrateur de Projets TPSCG
 EUGENE YEUNG

Regional Manager, Architectural and Engineering Services
 Regional Manager, Environmental Services
 PREETIPAL PAUL

Drawing title/Titre du dessin
GENERAL ARRANGEMENT - SHEET 1

Project No./No. du projet R.096320.002	Sheet/Fauille S103	Revision no./La Révision no. C
--	------------------------------	--



PLAN — GENERAL ARRANGEMENT
 SCALE: 1:250

NOTES:

- FOR GENERAL NOTES, SEE DWG. S001.
- DIMENSIONS AND SERVICES SHOWN FOR THE EXISTING ESQUIMALT GRAVING DOCK ARE INFERRED FROM A SURVEY COMPLETED BY WSP ON JANUARY 10TH AND 13TH, 2020 AND DRAWINGS PREPARED BY KLOHN CRIPPEN BERGER.

LEGEND:

SONGHEES FIRST NATION "MIDDEN SOIL PILES"



Revision/	Description/Description	Date/Date
C	TENDER	2021.01.07
B	99% REVIEW	2020.07.10
A	75% REVIEW	2020.05.20

Client/client
PUBLIC WORKS AND GOVERNMENT SERVICES CANADA

Project title/Titre du projet
**ESQUIMALT GRAVING DOCK
825 ADMIRALS ROAD, VICTORIA, BC**

**ESQUIMALT GRAVING DOCK
EAST END EXTENSION AND
SECTION 3 DOCK FLOOR
AND WALL REFURBISHMENT**

Consultant Signature Only

Designed by/Concept par
KU / MGCS

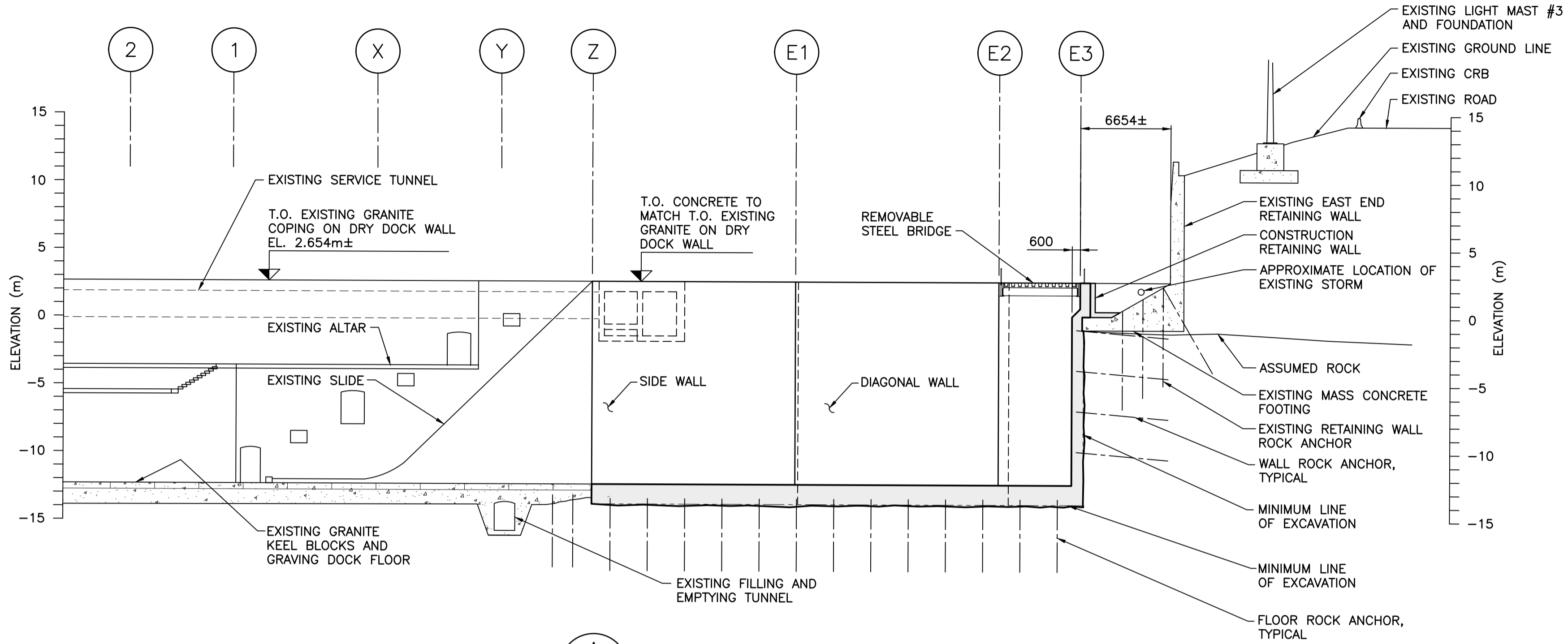
Drawn by/Dessiné par
JJMC

PWGSC Project Manager/Administrateur de Projets TPSCG
EUGENE YEUNG

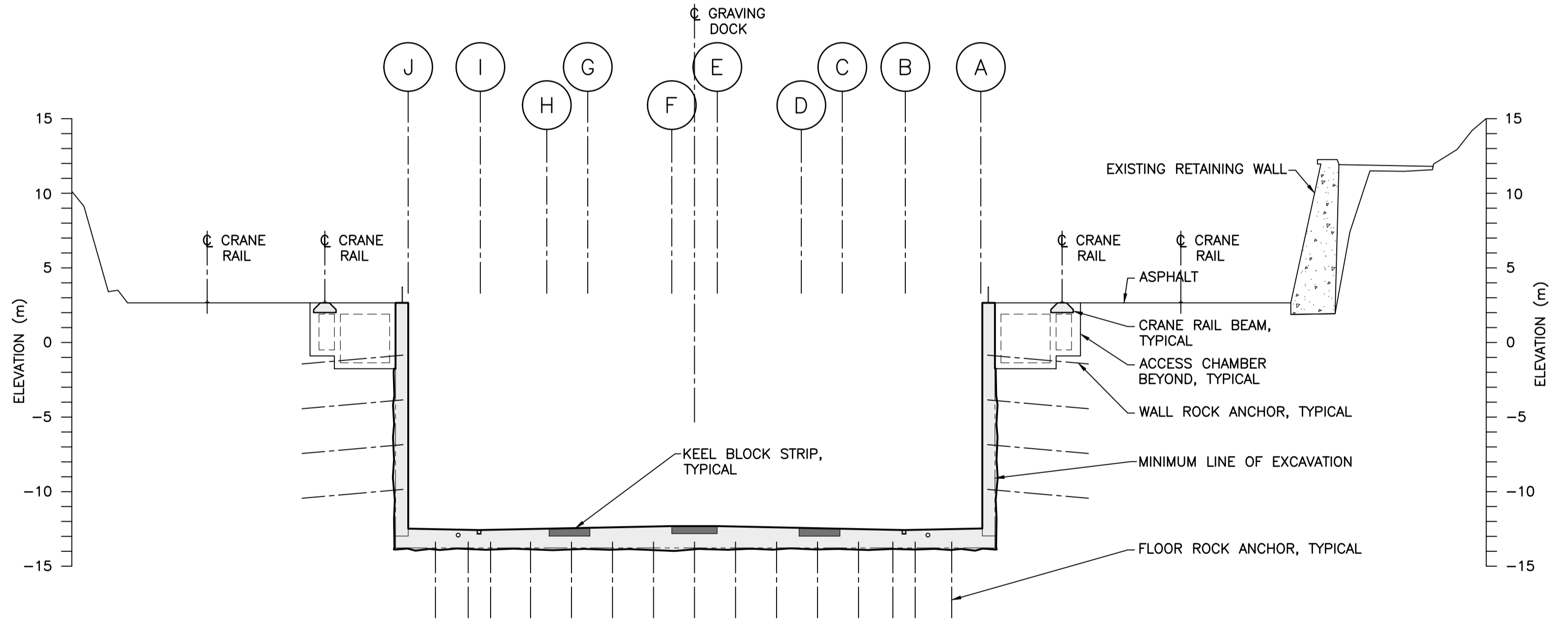
Regional Manager, Architectural and Engineering Services
Regional Manager, Environmental Services
PREETIPAL PAUL

Drawing title/Titre du dessin
GENERAL ARRANGEMENT - SHEET 2

Project No./No. du projet R.096320.002	Sheet/Feuille S104	Revision no./La Révision no. C
--	------------------------------	--

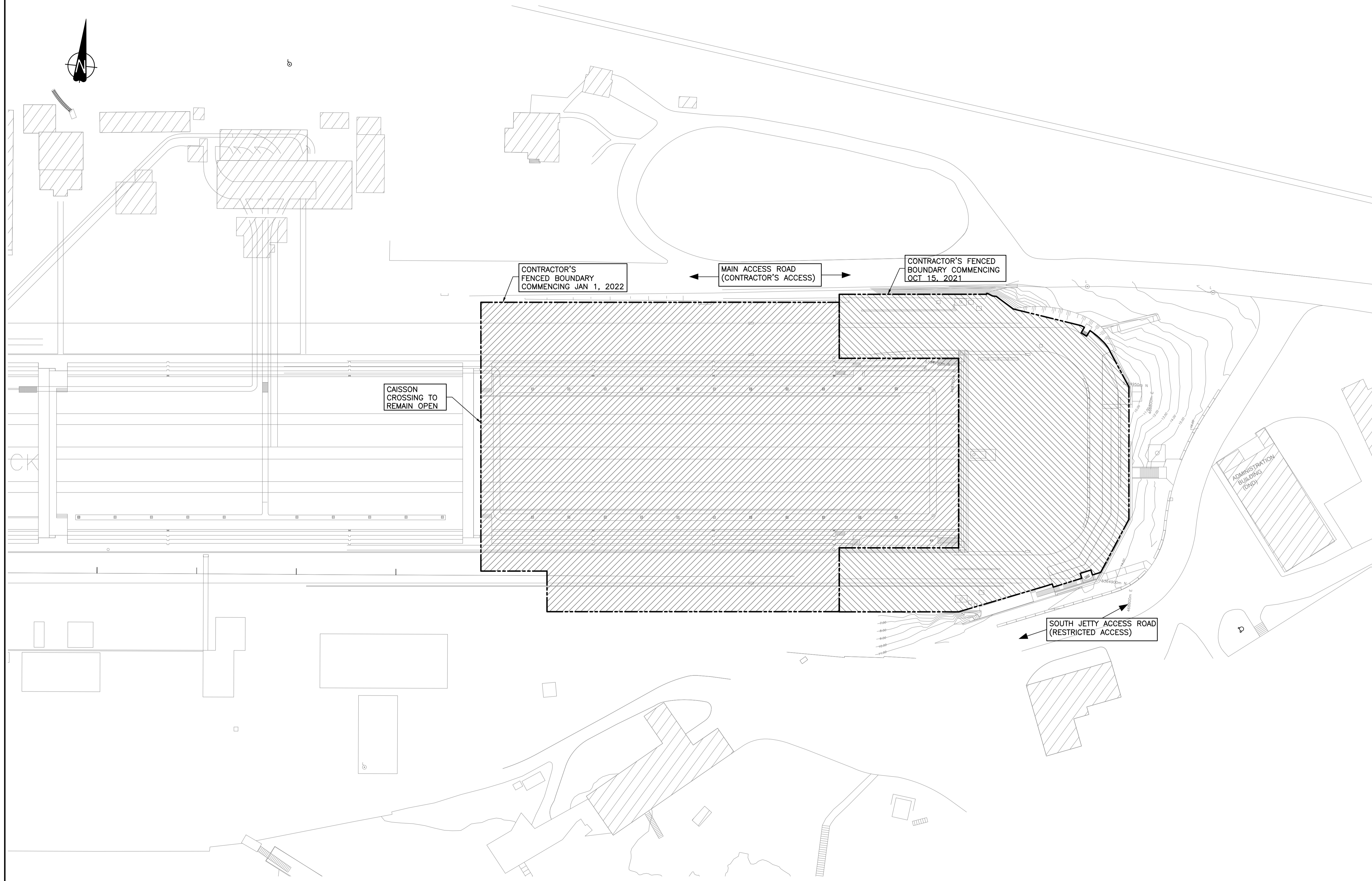


A SECTION
S103 SCALE 1:250



B SECTION
S103 SCALE 1:250

NOTES:
1. FOR GENERAL NOTES, SEE DWG. S001.



PLAN — EAST END EXTENSION WORK AREAS
SCALE 1:500



Revision/	Description/	Date/
Revision	Description	Date
B	TENDER	2021.01.07
A	90% REVIEW	2020.07.10

Client/client
PUBLIC WORKS AND GOVERNMENT SERVICES CANADA

Project title/Titre du projet
**ESQUIMALT GRAVING DOCK
825 ADMIRALS ROAD, VICTORIA, BC**

**ESQUIMALT GRAVING DOCK
EAST END EXTENSION AND
SECTION 3 DOCK FLOOR
AND WALL REFURBISHMENT**

Consultant Signature Only

Designed by/Concept par
KU / MGCS

Drawn by/Dessiné par
GLG

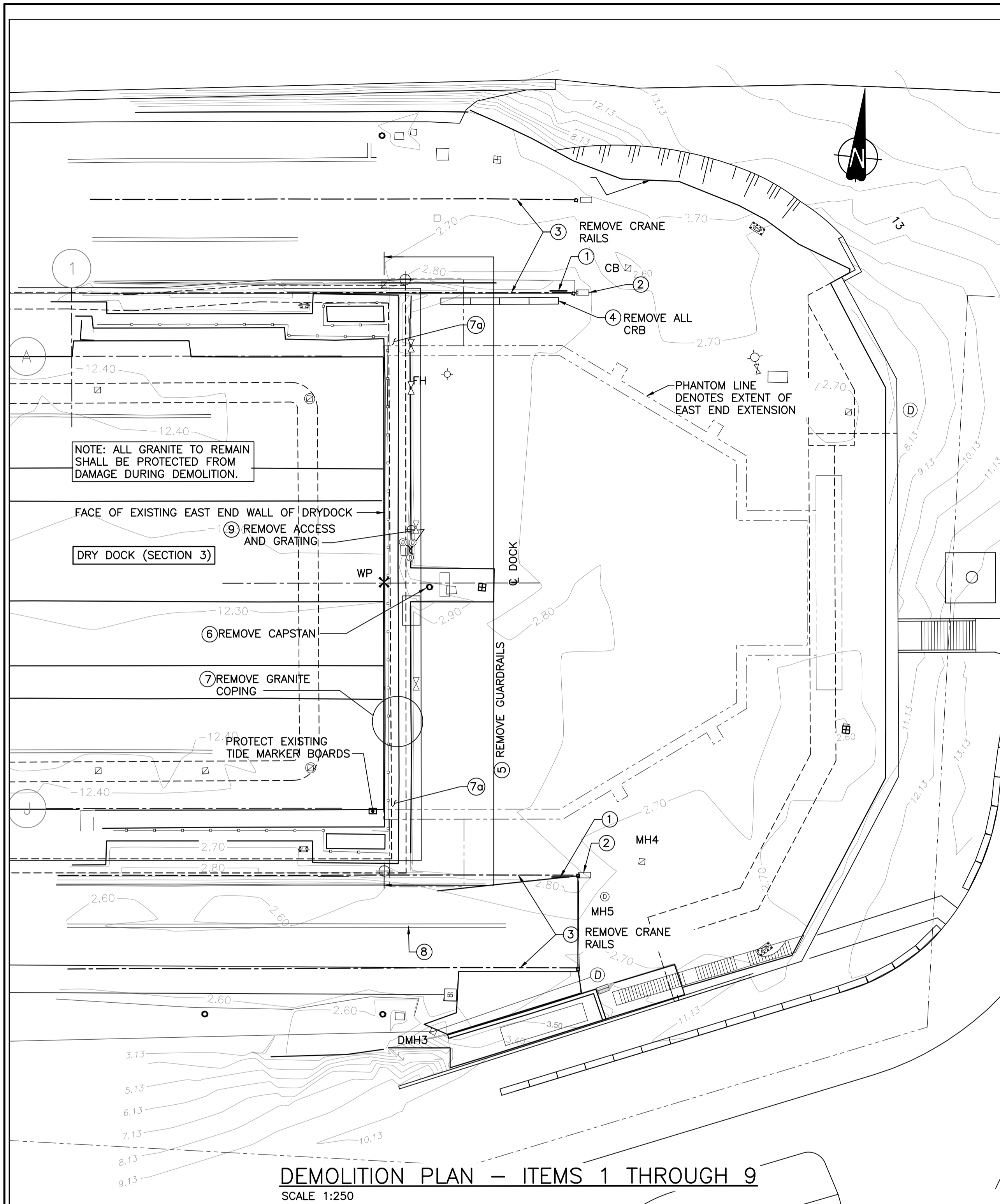
PWGSC Project Manager/Administrateur de Projets TPSGC
EUGENE YEUNG

Regional Manager, Architectural and Engineering Services
Regional Manager, Environmental Services
PREETIPAL PAUL

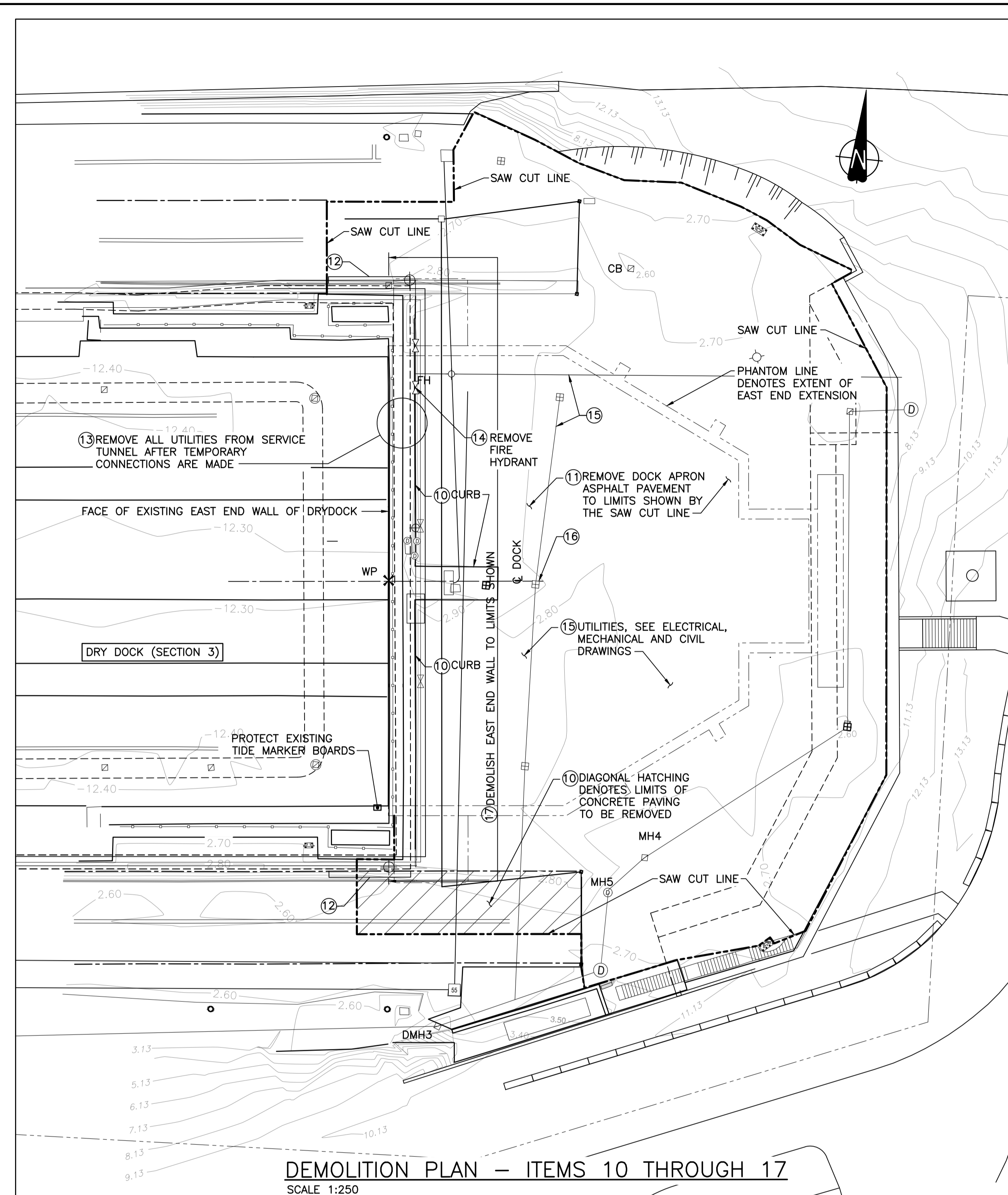
Drawing title/Titre du dessin
CONTRACTORS WORK AREA

Project No./No. du projet	Sheet/Feuille	Revision no./La Révision no.
R.096320.002	S105	B

NOTES:
1. FOR GENERAL NOTES, SEE DWG. S001.



DEMOLITION PLAN - ITEMS 1 THROUGH 9
SCALE 1:250



DEMOLITION PLAN - ITEMS 10 THROUGH 17
SCALE 1:250

ITEM LIST (DEMOLISHED, REMOVED, STORED OR RE-USED)

ITEM NUMBER	BRIEF DESCRIPTION OF ITEMS	ACTION
1	CRANE RAIL TRAVEL LIMIT STRIPS	RELOCATE TO WEST OF CLOSEST SPLICE BEYOND DEMO EXTENTS
2	CRANE RAIL STOP BOLLARDS	REMOVE AND STORE
3	CRANE RAILS	REMOVE 2 LENGTHS OF CRANE RAIL C/W RAIL CLIPS, SPLICES, SOLE AND SHIM PLATES. TO BE STORED
4	CRB UNITS	REMOVE AND RETURN TO PSPC FOR RE-USE ELSEWHERE
5	GUARDRAILS, EAST END WALL AND STORE	REMOVE AND RETURN TO PSPC FOR RE-USE ELSEWHERE
6	EAST END WALL CAPSTAN	REMOVE AND RETURN TO PSPC FOR RE-USE ELSEWHERE
7a	GRANITE COPING (CORNERS OF EAST END WALL)	REMOVE FOR REWORK AND STORE
7	GRANITE COPING (TOP OF EAST END WALL)	REMOVE AND RETURN TO PSPC
8	TRENCH DRAIN COVERS ON SOUTH SIDE OF DOCK	REMOVE AND STORE
9	ACCESS HATCH GRATING	REMOVE AND DISPOSE
10	CONCRETE PAVEMENT AND CURBS	REMOVE TO EXTENTS SHOWN AND DISPOSE
11	DOCK APRON ASPHALT PAVEMENT	REMOVE TO EXTENTS SHOWN AND DISPOSE
12	TEMPORARY OPENING IN DOCK WALL	CREATE OPENINGS IN BACK OF DOCK WALL TO SERVICE TUNNEL FOR ROUTING OF TEMPORARY UTILITIES
13	ALL EXISTING UTILITIES EAST END SERVICE TUNNEL	REMOVE AFTER COMMISSIONING OF TEMPORARY UTILITIES
14	FIRE HYDRANT	REMOVE AND STORE
15	ABANDONED UTILITIES FROM WITH IN DOCK EXTENSION FOOT PRINT	RETAIN VALVES FOR RE-USE. RETAIN TELEPHONE AND FIRE ALARM EQUIPMENT. DISPOSE ALL OTHER ITEMS
16	CATCH BASIN, ASSOCIATED FRAMES AND LIDS WITHIN DOCK EXTENSION FOOT PRINT	REMOVE, STORE AND RE-USE
17	MASS CONCRETE EAST END WALL, SEE NOTES	DEMOLISH AFTER INSTALLATION OF ROCK ANCHORS IN EXISTING SECTION 3 DOCK FLOOR AND WALLS

NOTES:

- FOR GENERAL NOTES, SEE DWG. S001.
- DIMENSIONS AND SERVICES SHOWN FOR THE EXISTING ESQUIMALT GRAVING DOCK ARE INFERRED FROM A SURVEY COMPLETED BY WSP ON JANUARY 10TH AND 13TH, 2020 AND THE FACILITY BASE PLAN PROVIDED BY PSPC.
- EAST END WALL ORIGINALLY CONSTRUCTED OF MASS CONCRETE. SOME REHABILITATION SHOTCRETE REPAIRS HAVE SINCE BEEN CARRIED OUT TO CORRECT SPALLED CONCRETE, AS EVIDENCED BY VISIBLY PATCHED AREAS ON THE EXPOSED WALL FACE. THOSE REPAIRS INCLUDED DRILLED 10M REBAR HOOK BARS INSERTED AND GROUTED 250mm INTO THE WALL, AND 10M BI-DIRECTIONAL FACE REBAR TO STRENGTHEN EACH PATCH. NO RECORD DRAWINGS EXIST FOR THESE REPAIRS.
- FOR DEMOLITION PURPOSES, MASS CONCRETE IN THE EAST END WALL OF DRY DOCK CONCRETE AND CRANE RAIL FOUNDATION SHALL BE ASSUMED TO HAVE COMPRESSIVE STRENGTH IN THE RANGE OF 30-50 MPa, THOUGH HIGHER STRENGTHS MAY BE ENCOUNTERED.
- THE CONTRACTOR IS RESPONSIBLE FOR TREATING AND DISPOSING OF CONTAMINATED WATER FROM EXCAVATION AND CONSTRUCTION. SEE SPECIFICATIONS FOR ENVIRONMENTAL/CLEANLINESS REQUIREMENTS.
- ELECTRICAL AND MECHANICAL SERVICES TO BE REMOVED ONLY AFTER TEMPORARY SERVICES ARE INSTALLED AND CONNECTED.
- COORDINATE ALL DEMOLITION WORK WITH REQUIRED EXCAVATION WORK.

Revision/Revision	Description/Description	Date/Date
B	TENDER	2021.01.07
A	99% REVIEW	2020.07.10

Client/client
PUBLIC WORKS AND GOVERNMENT SERVICES CANADA

Project title/Titre du projet
**ESQUIMALT GRAVING DOCK
825 ADMIRALS ROAD, VICTORIA, BC**

**ESQUIMALT GRAVING DOCK
EAST END EXTENSION AND
SECTION 3 DOCK FLOOR
AND WALL REFURBISHMENT**

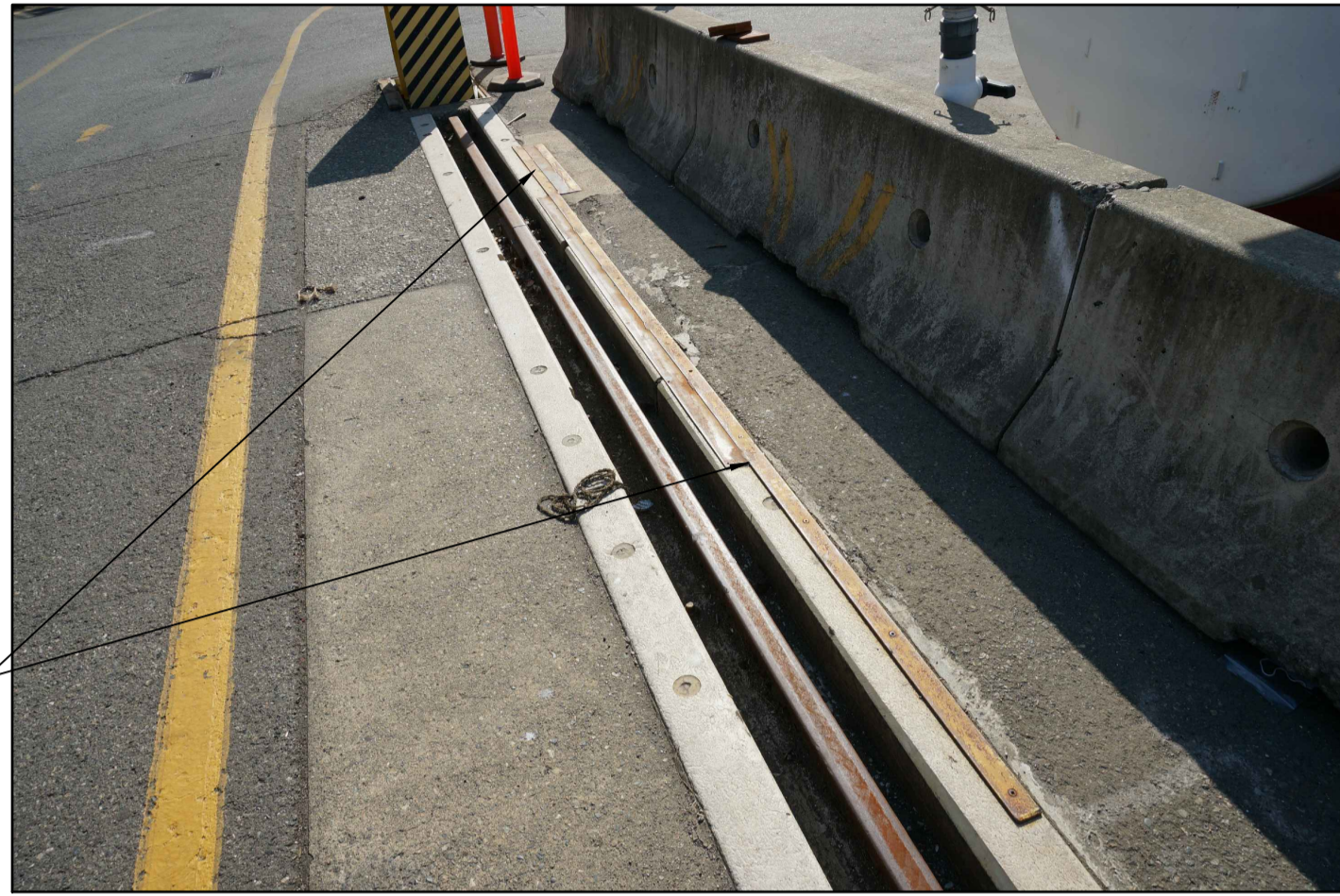
Consultant Signature Only
Designed by/Concept par
KU / MGCS
Drawn by/Dessiné par
JJMCP/PHU
PWGSC Project Manager/Administrateur de Projets TPSCG
EUGENE YEUNG
Regional Manager, Architectural and Engineering Services
Regional Manager, Environmental Services
PREETIPAL PAUL

Drawing title/Titre du dessin
DEMOLITION PLANS

Project No./No. du projet
R.096320.002

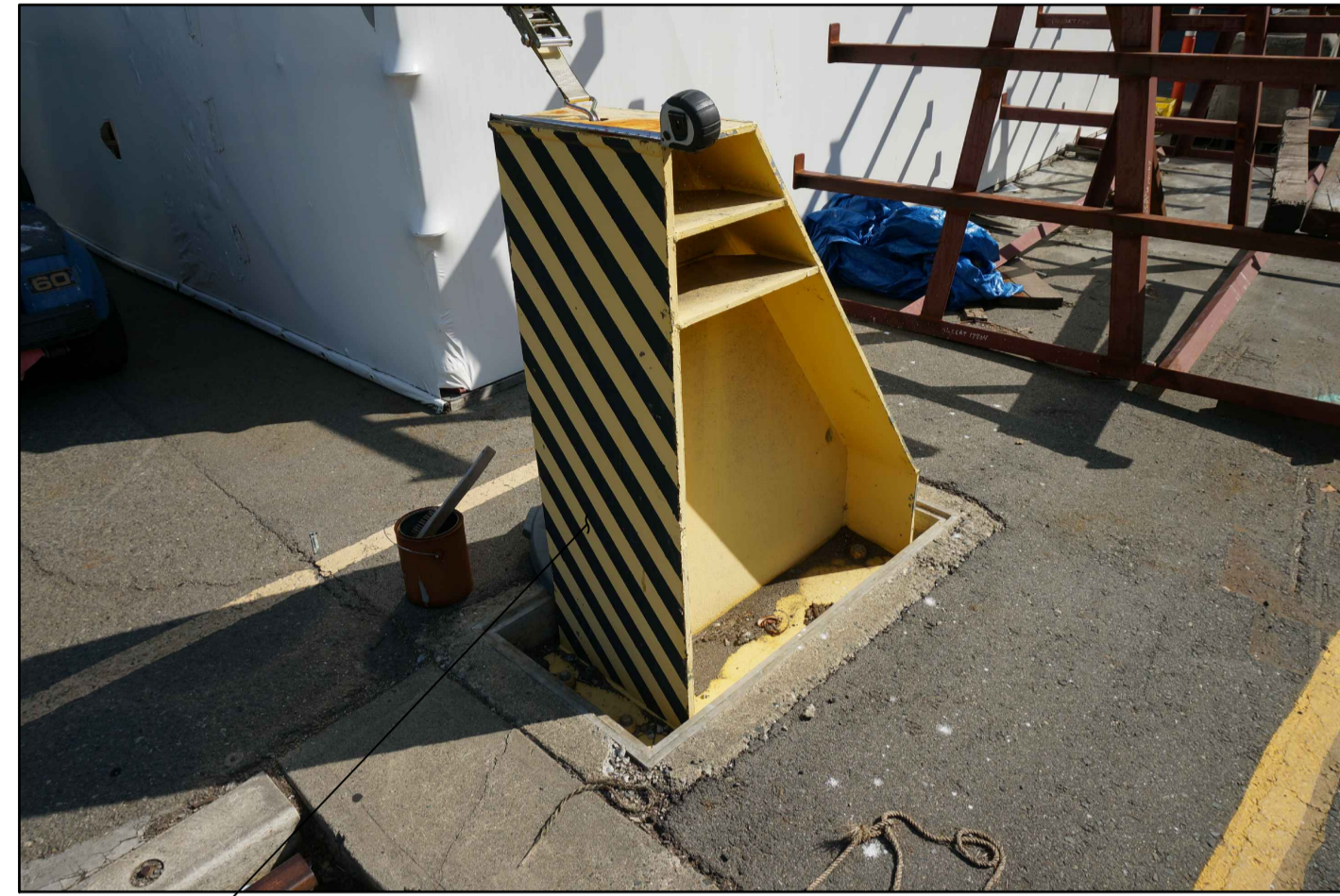
Sheet/Fauille
S108

Revision no./
La Révision no.
B



CRANE RAIL TRAVEL LIMIT STRIPS, TYP.

1. RELOCATE CRANE RAIL TRAVEL LIMIT STRIPS



CRANE RAIL BOLLARD, TYP.

2. REMOVE CRANE RAIL BOLLARDS



CAPSTAN, TYP.

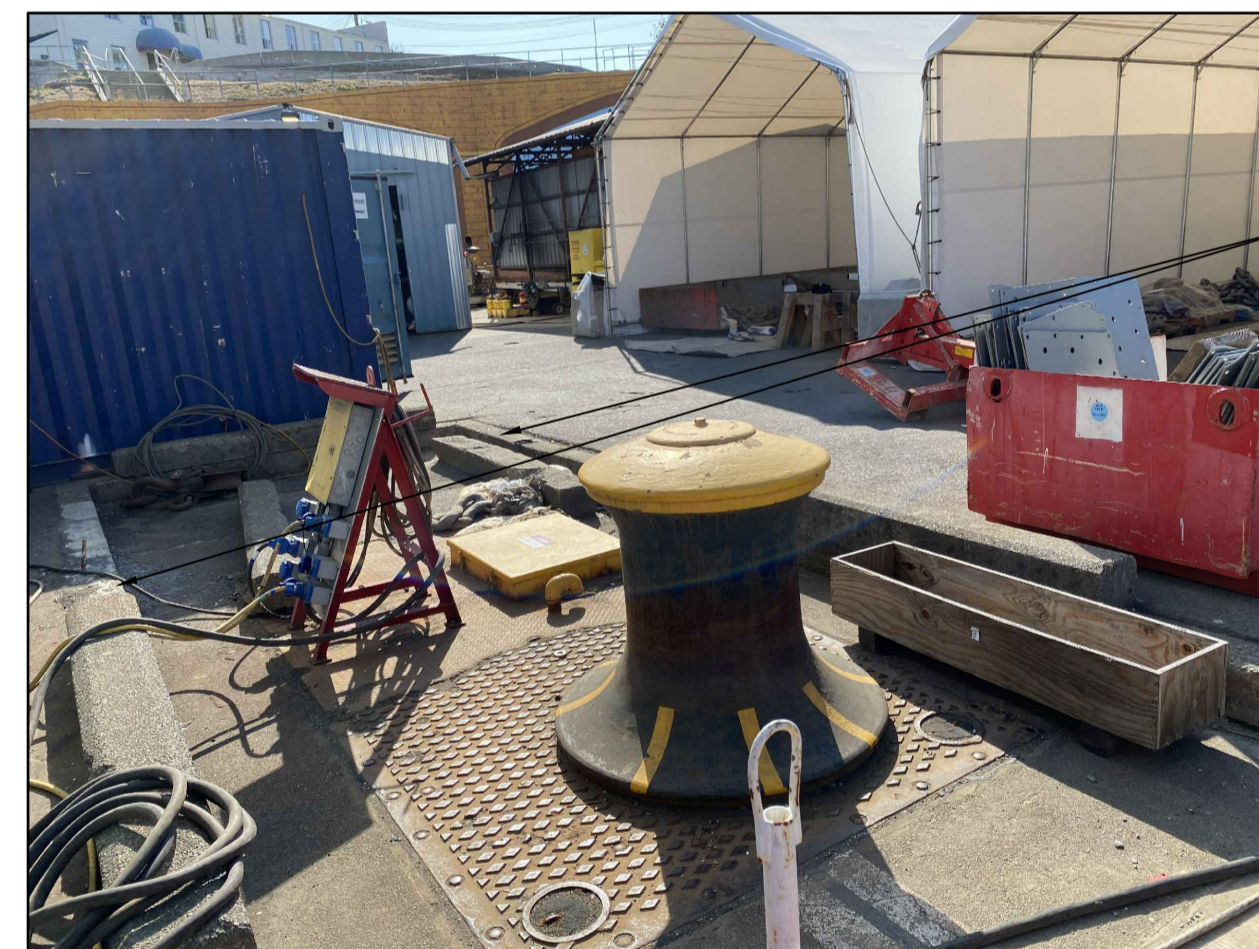
6. REMOVE CAPSTAN FROM EAST END OF DOCK



GRANITE COPING, TYP.

7a. REMOVE GRANITE COPING AT NORTHEAST AND SOUTH EAST CORNERS

TYPICAL EXTENTS OF GRANITE TO BE RETAINED



CONCRETE CURBING, TYP.

10. REMOVE CONCRETE CURBING



B	TENDER	2021.01.07
A	90% REVIEW	2020.07.10
Revision/Revision	Description/Description	Date/Date

Client/client
PUBLIC WORKS AND GOVERNMENT SERVICES CANADA

Project title/Titre du projet
**ESQUIMALT GRAVING DOCK
825 ADMIRALS ROAD, VICTORIA, BC**

**ESQUIMALT GRAVING DOCK
EAST END EXTENSION AND
SECTION 3 DOCK FLOOR
AND WALL REFURBISHMENT**

Consultant Signature Only

Designed by/Concept par
KU / MGCS

Drawn by/Dessiné par
JJMC/PHU

PWGSC Project Manager/Administrateur de Projets TPSCG
EUGENE YEUNG

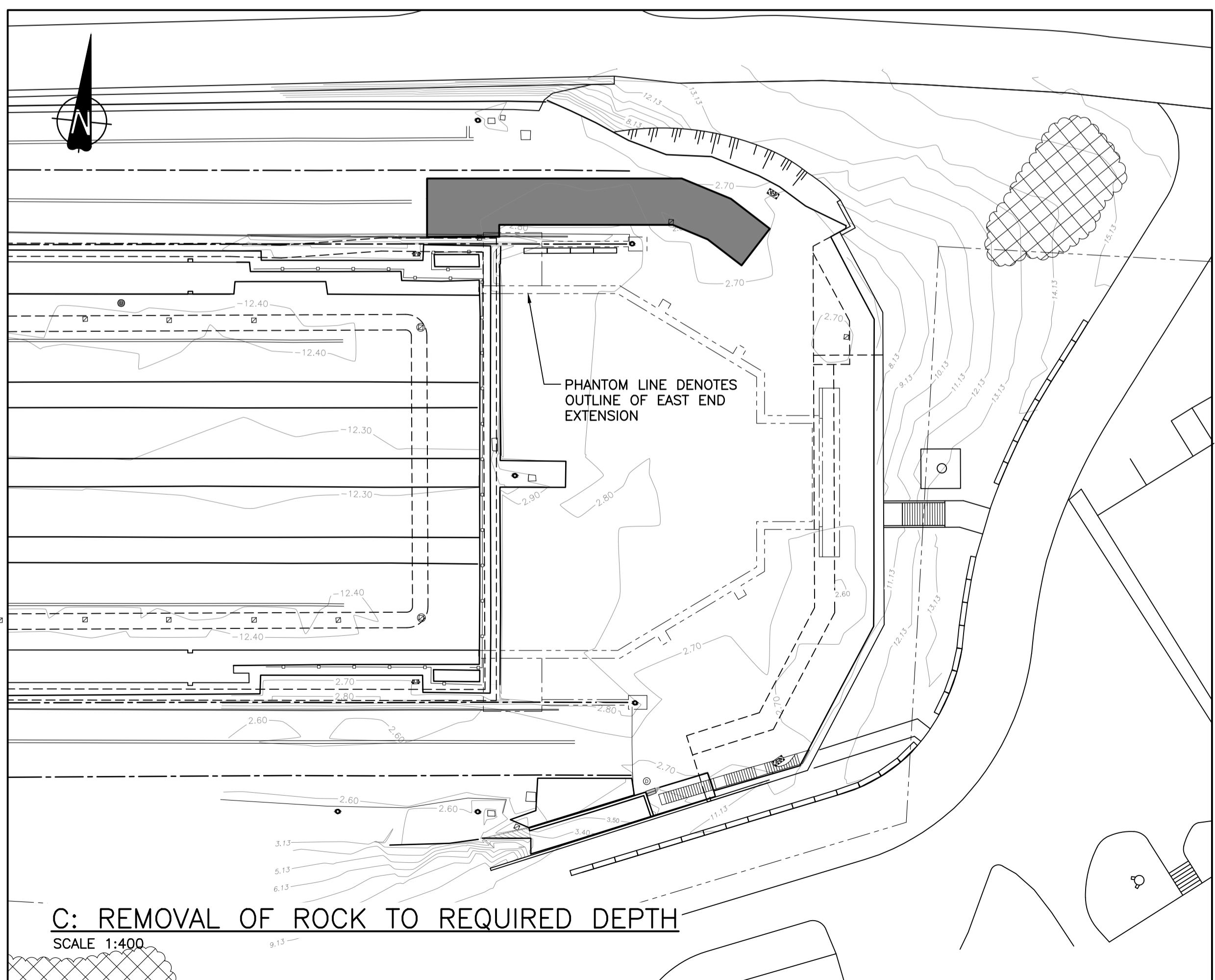
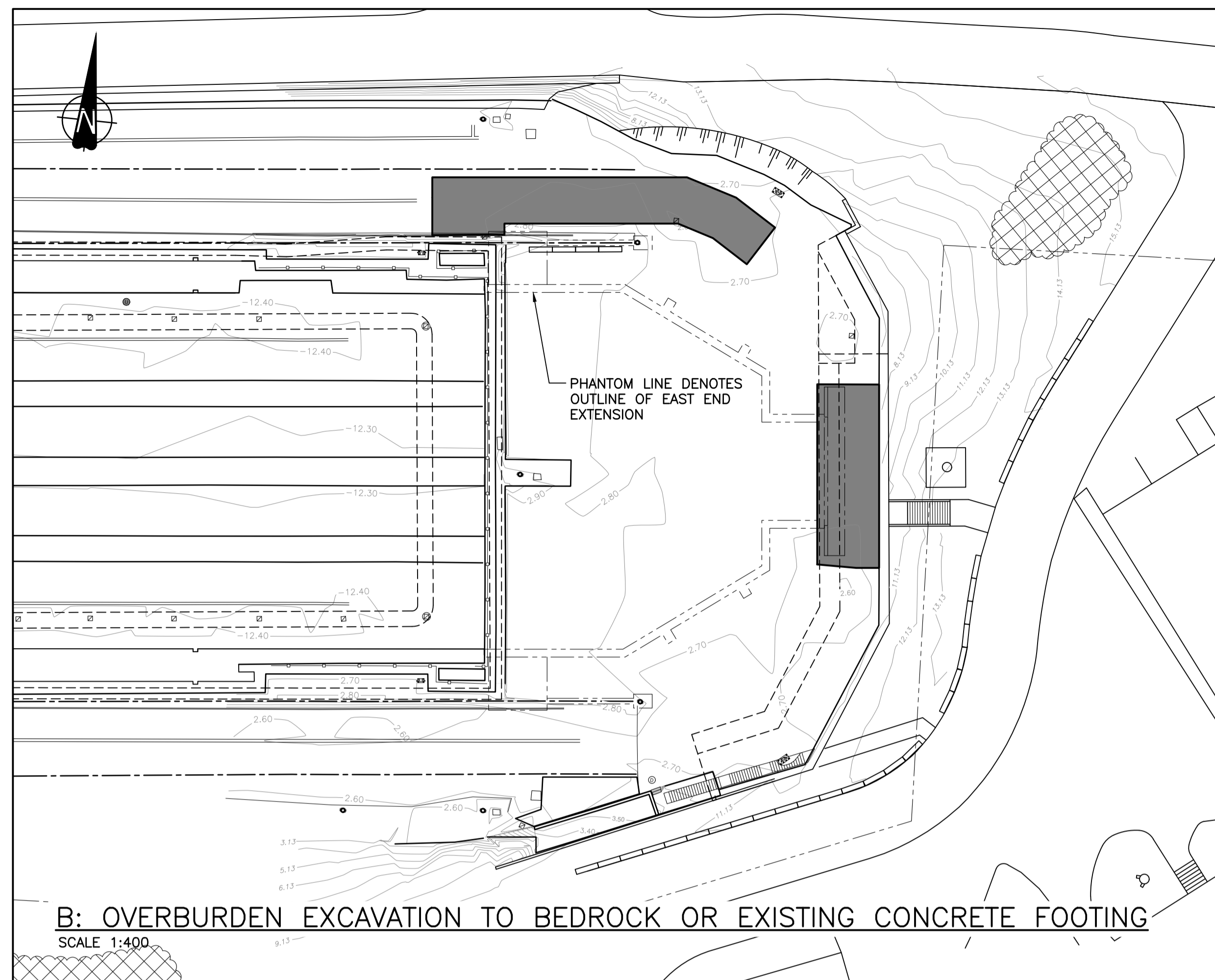
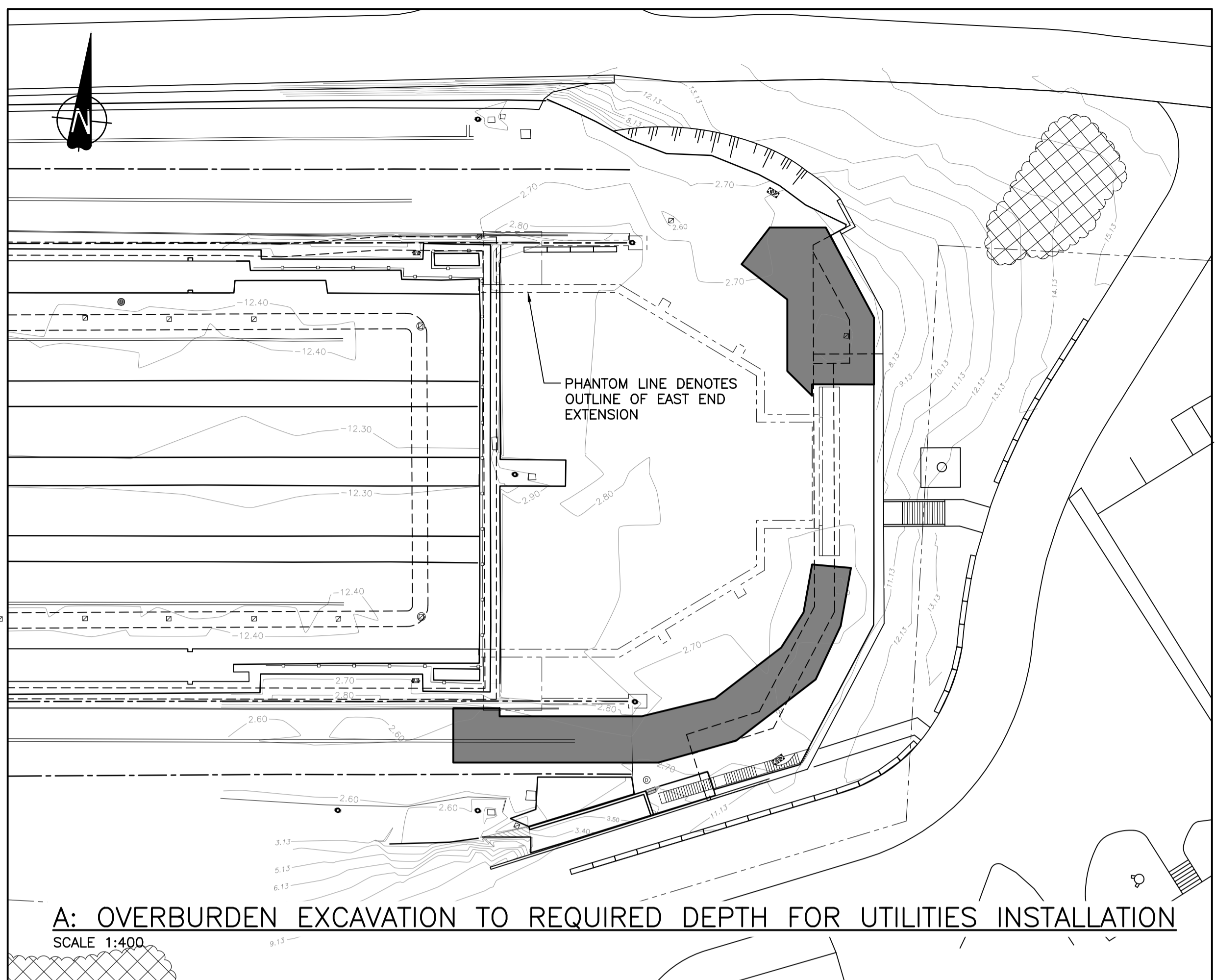
Regional Manager, Architectural and Engineering Services
Regional Manager, Environmental Services
PREETIPAL PAUL

Drawing title/Titre du dessin
DEMOLITION - PHOTOS

Project No./No. du projet R.096320.002	Sheet/Feuille S109	Revision no./La Révision no. B
--	------------------------------	--

NOTES:

- FOR GENERAL NOTES, SEE DWG. S001.



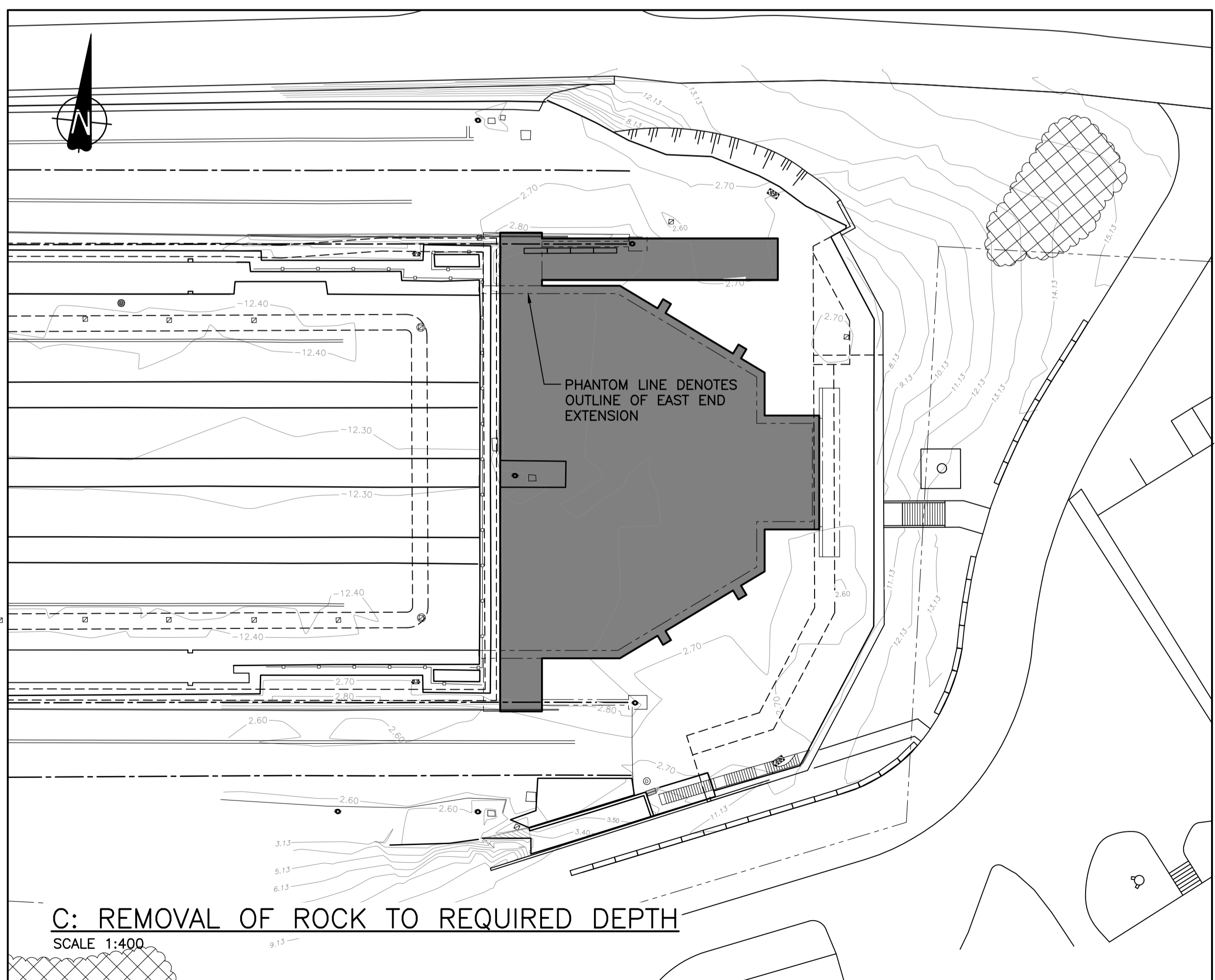
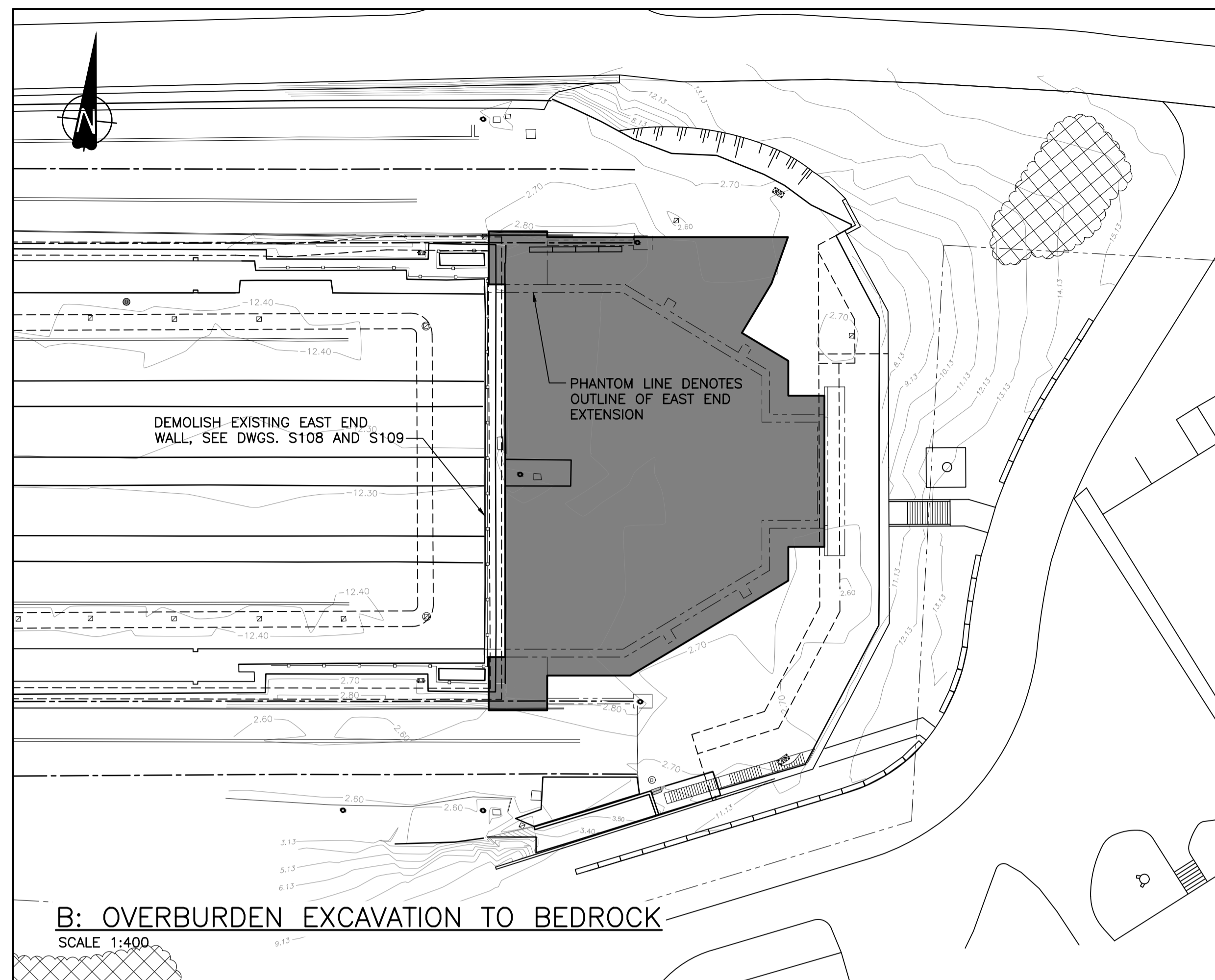
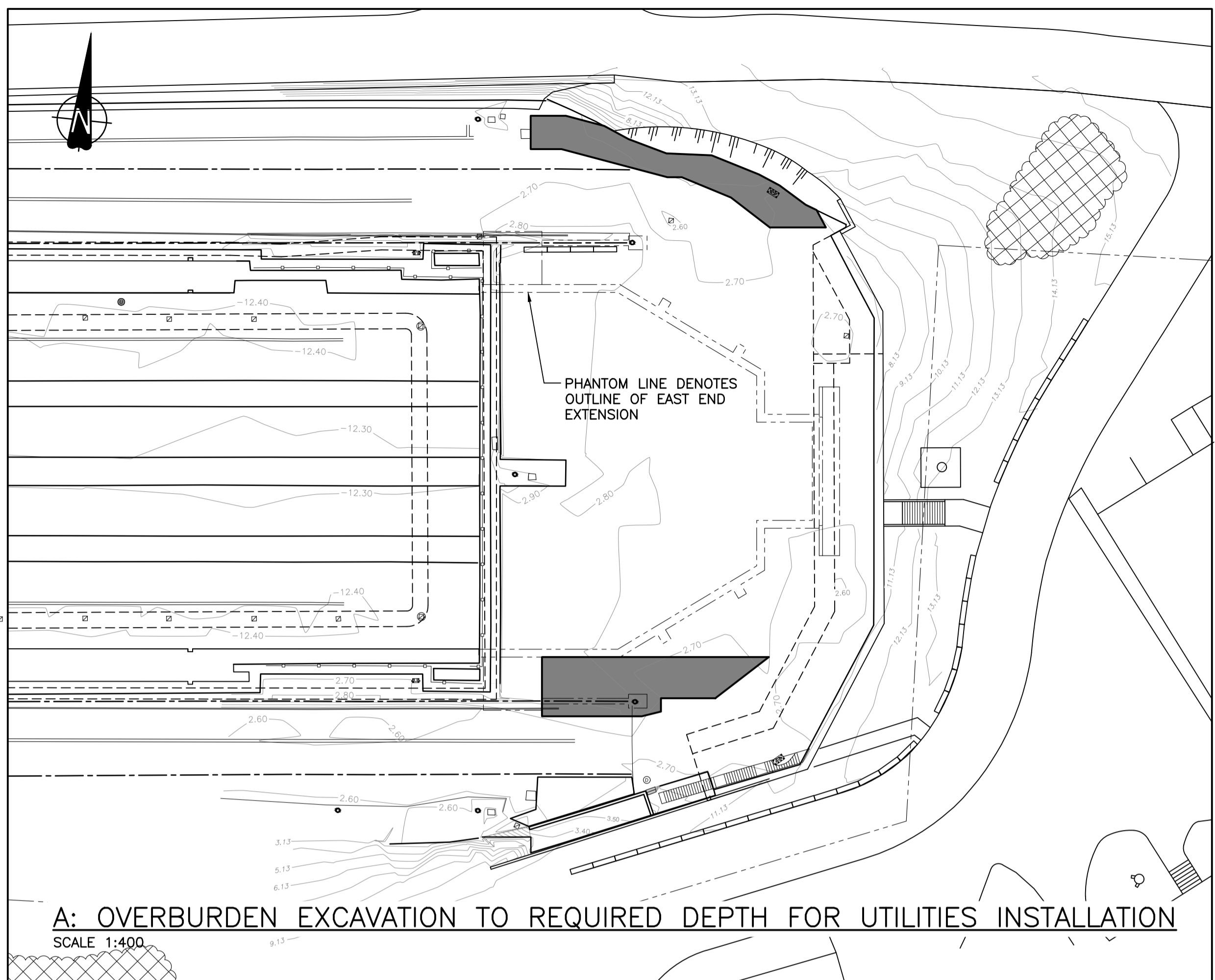
NOTES:

- FOR GENERAL NOTES, SEE DWG. S001.
- PROPOSED PHASE 1 EXCAVATION INDICATES ANTICIPATED WORK REQUIRED FOR RELOCATION AND INSTALLATION OF UTILITIES TO BE COMPLETED PRIOR TO DEMOLITION OF EXISTING UTILITIES IN EAST END TUNNEL AND FOOTPRINT OF PROPOSED DOCK EXTENSION. CONTRACTORS MAY SELECT ALTERNATE SEQUENCING AND EXTENTS AS REQUIRED BY THEIR PROPOSED WORK PLAN.
- ANTICIPATED EXTENTS AND DEPTHS OF EXCAVATION AND ROCK REMOVAL ARE BASED ON HISTORICAL DRAWINGS AND INFERRED ROCK ELEVATIONS FROM PRIOR DRILLING PROGRAMS. ACTUAL SOIL AND ROCK CONDITIONS ARE KNOWN ONLY AT BOREHOLE LOCATIONS AS SHOWN IN GEOTECHNICAL REPORT. ASSUMED ROCK ELEVATIONS ARE SHOWN FOR ILLUSTRATIVE PURPOSES ONLY AND ACTUAL ELEVATIONS ENCOUNTERED MAY VARY.
- COORDINATE ALL EXCAVATION WITH DEMOLITION WORK.

LEGEND:

- SONGHEES FIRST NATION "MIDDEN SOIL PILES"
- EXCAVATION EXTENTS

Revision/Revision	Description/Description	Date/Date
A	TENDER	2021.01.07
Client/client		
PUBLIC WORKS AND GOVERNMENT SERVICES CANADA		
Project title/Titre du projet ESQUIMALT GRAVING DOCK 825 ADMIRALS ROAD, VICTORIA, BC		
ESQUIMALT GRAVING DOCK EAST END EXTENSION AND SECTION 3 DOCK FLOOR AND WALL REFURBISHMENT		
Consultant Signature Only		
Designed by/Concept par KU / MGCS		
Drawn by/Dessiné par JJMC		
PWGSC Project Manager/Administrateur de Projets TPSCG EUGENE YEUNG		
Regional Manager, Architectural and Engineering Services Regional Manager, Environmental Services PREETIPAL PAUL		
Drawing title/Titre du dessin EXCAVATION - POTENTIAL SEQUENCE PHASE 1 PLANS		
Project No./No. du projet R.096320.002	Sheet/Feuille S120	Revision no./La Révision no. A



NOTES:

- FOR GENERAL NOTES, SEE DWG. S001.
- PROPOSED PHASE 2 EXCAVATION INDICATES ANTICIPATED WORK REQUIRED FOR COMPLETE CONSTRUCTION OF DOCK EXTENSION AND FINAL INSTALLATION OF RELOCATED UTILITIES. CONTRACTORS MAY SELECT ALTERNATE SEQUENCING AND EXTENTS AS REQUIRED BY THEIR PROPOSED WORK PLAN.
- ANTICIPATED EXTENTS AND DEPTHS OF EXCAVATION AND ROCK REMOVAL ARE BASED ON HISTORICAL DRAWINGS AND INFERRED ROCK ELEVATIONS FROM PRIOR DRILLING PROGRAMS. ACTUAL SOIL AND ROCK CONDITIONS ARE KNOWN ONLY AT BOREHOLE LOCATIONS AS SHOWN IN GEOTECHNICAL REPORT. ASSUMED ROCK ELEVATIONS ARE SHOWN FOR ILLUSTRATIVE PURPOSES ONLY AND ACTUAL ELEVATIONS ENCOUNTERED MAY VARY.
- COORDINATE ALL EXCAVATION WITH DEMOLITION WORK.

LEGEND:

- SONGHEES FIRST NATION "MIDDEN SOIL PILES"
- EXCAVATION EXTENTS

Revision/Revision	Description/Description	Date/Date
A	TENDER	2021.01.07

Client/client: **PUBLIC WORKS AND GOVERNMENT SERVICES CANADA**

Project title/Titre du projet: **ESQUIMALT GRAVING DOCK 825 ADMIRALS ROAD, VICTORIA, BC**

ESQUIMALT GRAVING DOCK EAST END EXTENSION AND SECTION 3 DOCK FLOOR AND WALL REFURBISHMENT

Consultant Signature Only

Designed by/Concept par: **KU / MGCS**

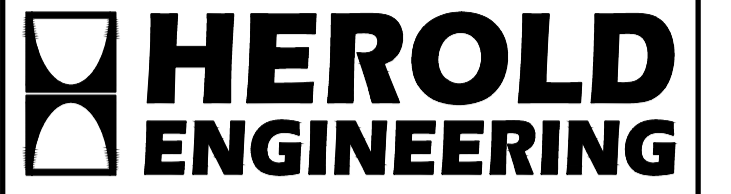
Drawn by/Dessiné par: **JJMC**

PWGSC Project Manager/Administrateur de Projets TPSCG: **EUGENE YEUNG**

Regional Manager, Architectural and Engineering Services / Regional Manager, Environmental Services: **PREETIPAL PAUL**

Drawing title/Titre du dessin: **EXCAVATION - POTENTIAL SEQUENCE PHASE 2 PLANS**

Project No./No. du projet: R.096320.002	Sheet/Feuille: S121	Revision no./La Révision no.: A
--	----------------------------	--



HEL JOB FILE: 3191-017



Revision/	Description/Description	Date/Date
B	TENDER	2021.01.07
A	90% REVIEW	2020.07.10

Client/client: PUBLIC WORKS AND GOVERNMENT SERVICES CANADA

Project title/Titre du projet: ESQUIMALT GRAVING DOCK 825 ADMIRALS ROAD, VICTORIA, BC

ESQUIMALT GRAVING DOCK EAST END EXTENSION AND SECTION 3 DOCK FLOOR AND WALL REFURBISHMENT

Consultant Signature Only

Designed by/Concept par: KU / MGCS

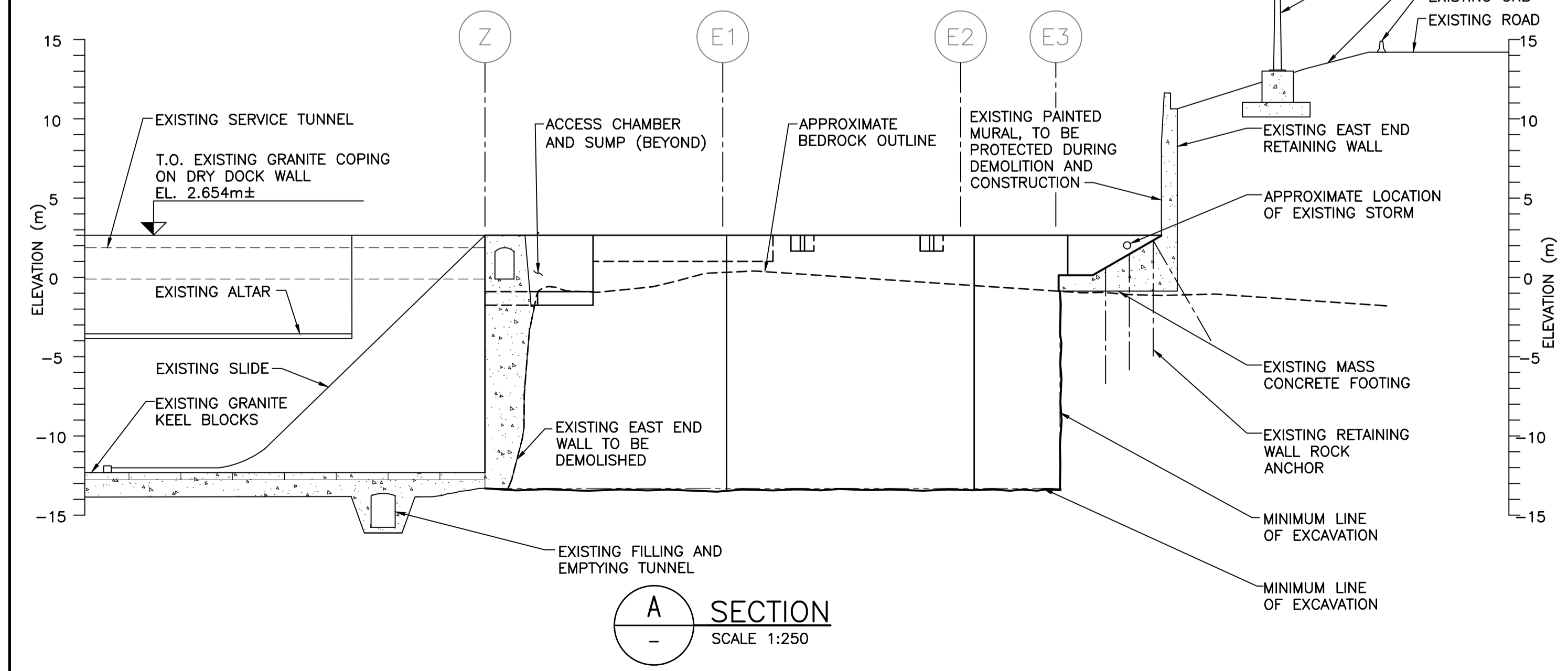
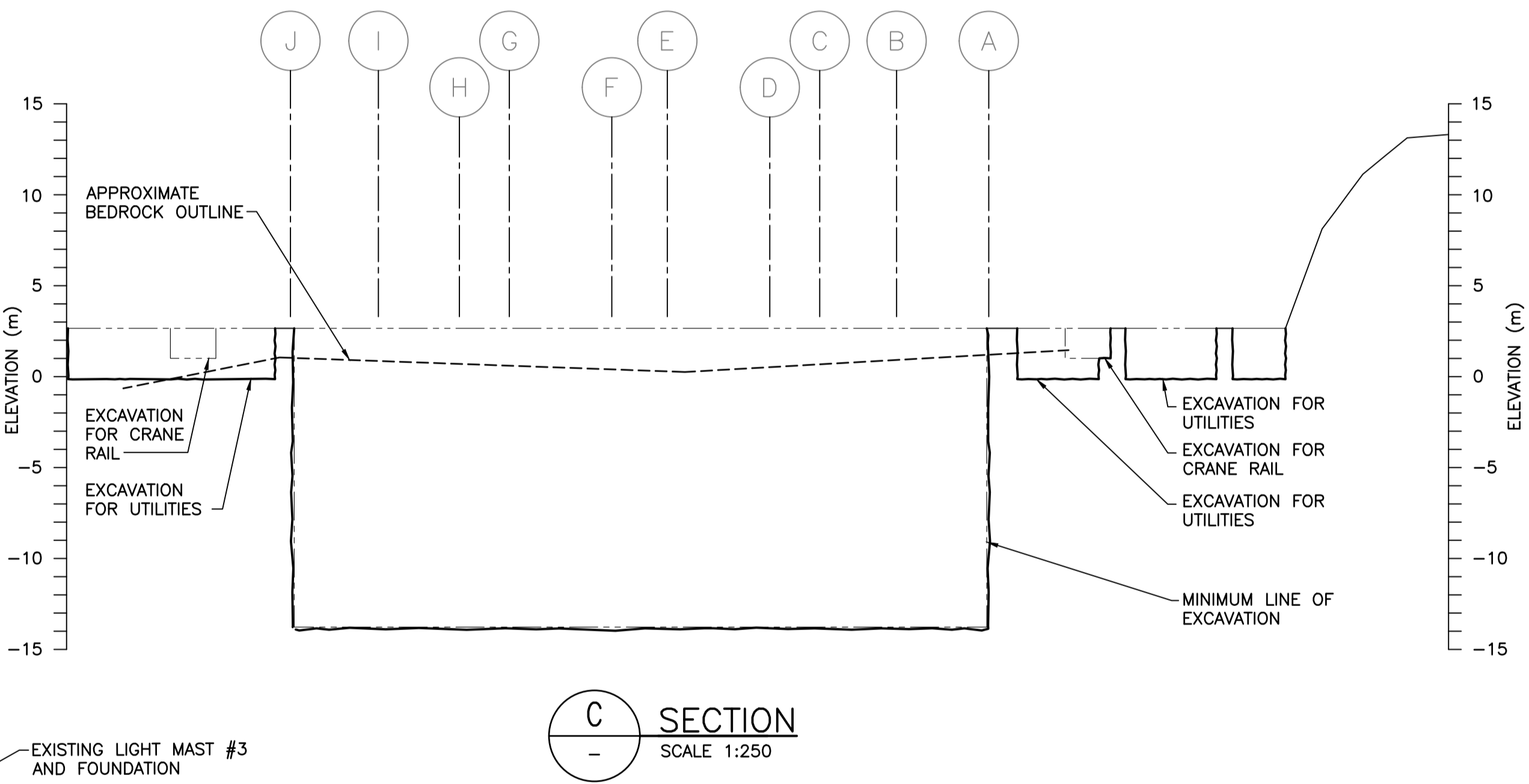
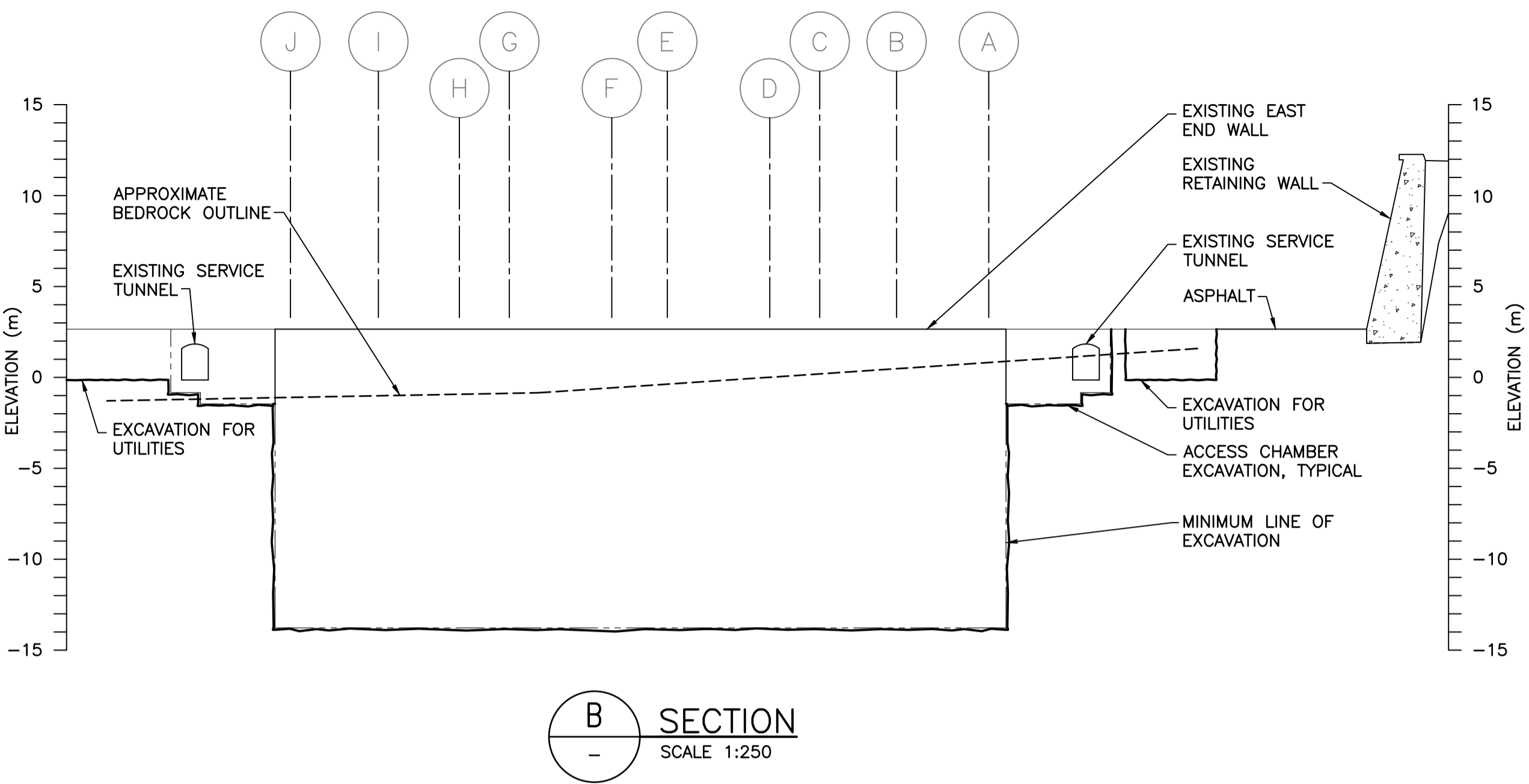
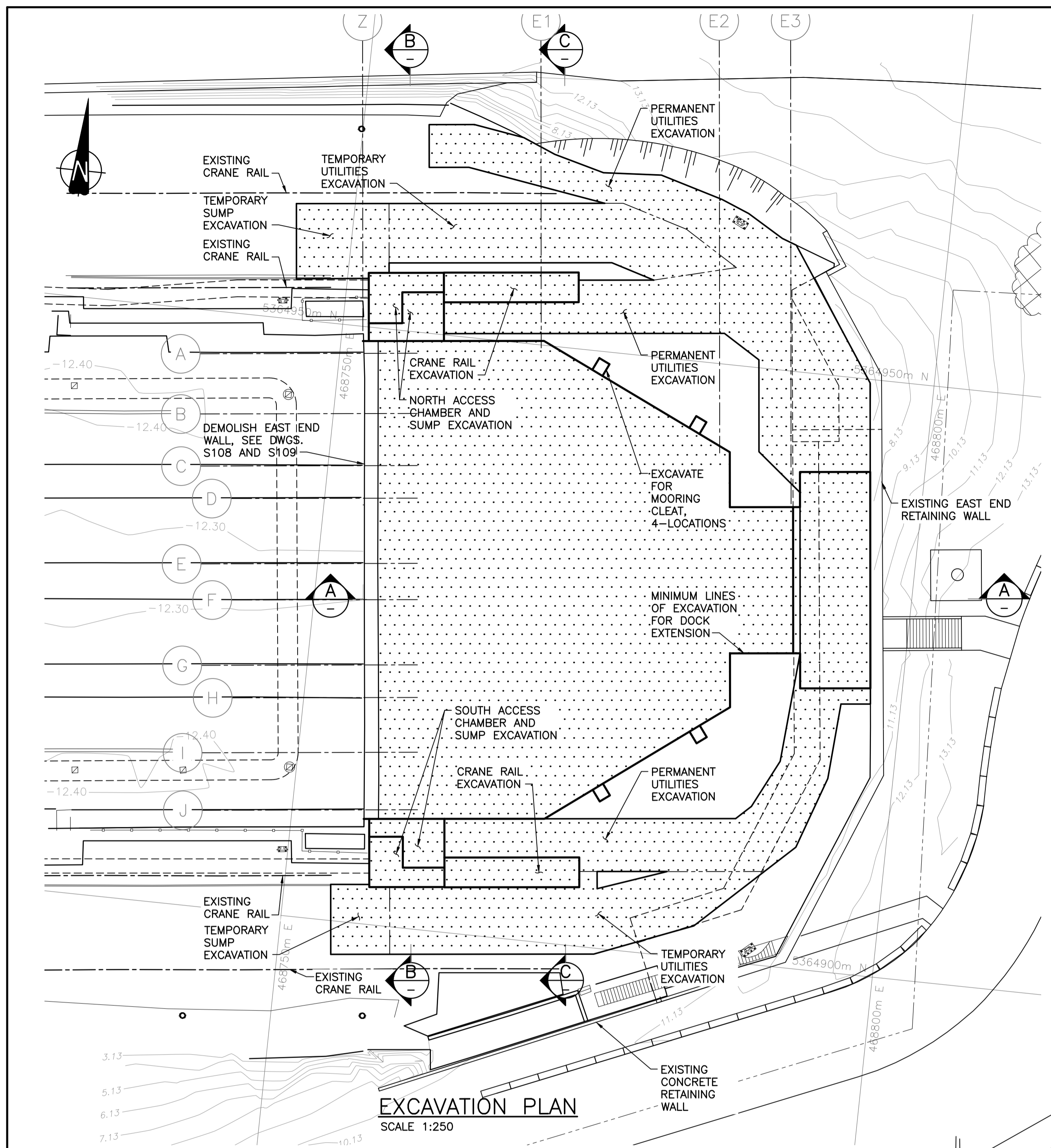
Drawn by/Dessiné par: JJMC

PWGC Project Manager/Administrateur de Projets TPSCG: EUGENE YEUNG

Regional Manager, Architectural and Engineering Services / Regional Manager, Environmental Services: PREETIPAL PAUL

Drawing title/Titre du dessin: EXCAVATION - PLAN AND SECTIONS

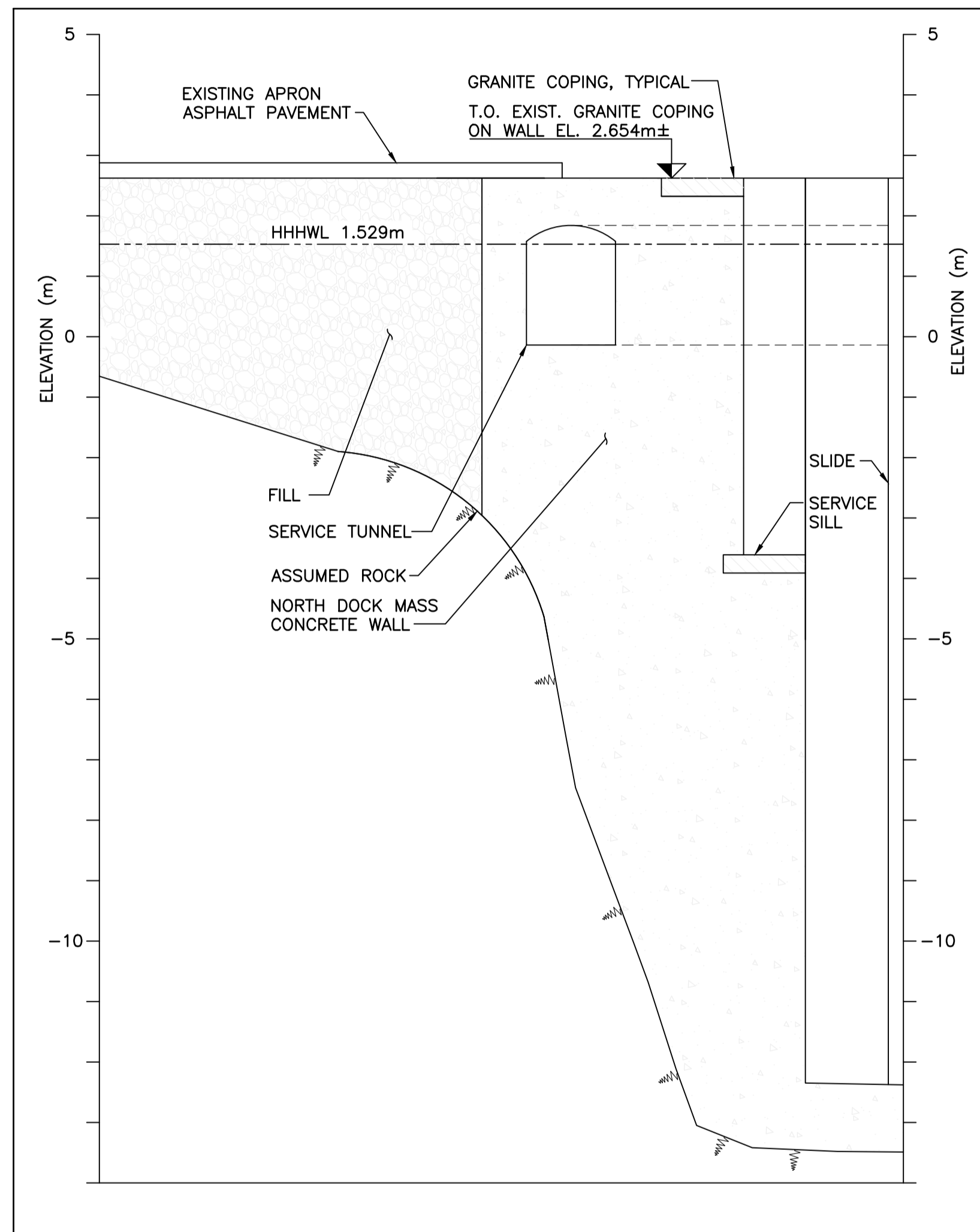
Project No./No. du projet: R.096320.002	Sheet/Fauille: S122	Revision no./La Révision no.: B
---	---------------------	---------------------------------



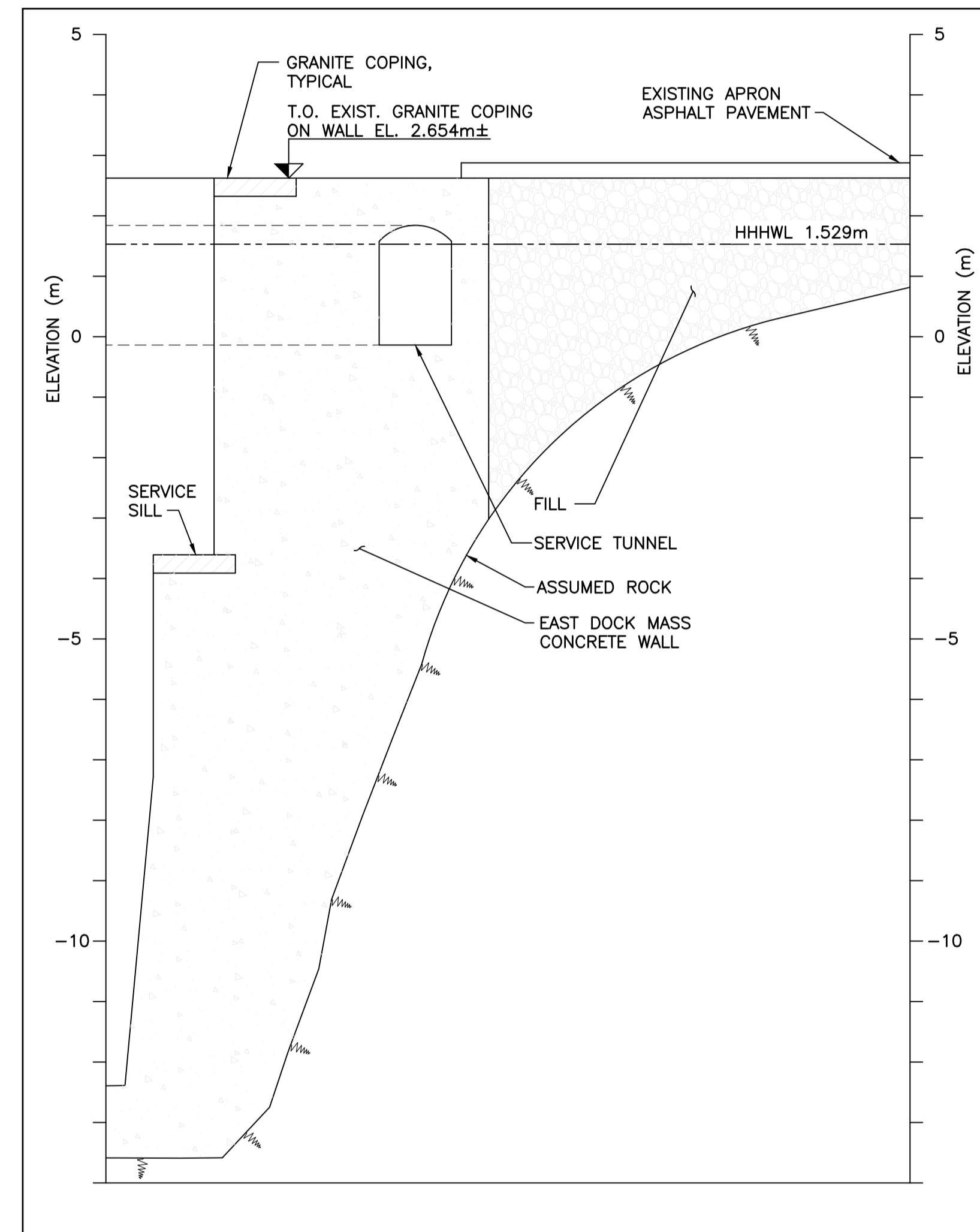
- NOTES:**
- FOR GENERAL NOTES, SEE DWG. S001.
 - ANTICIPATED EXTENTS AND DEPTHS OF EXCAVATION AND ROCK REMOVAL ARE BASED ON HISTORICAL DRAWINGS AND INFERRED ROCK ELEVATIONS FROM PRIOR DRILLING PROGRAMS. ACTUAL SOIL AND ROCK CONDITIONS ARE KNOWN ONLY AT BOREHOLE LOCATIONS AS SHOWN IN GEOTECHNICAL REPORT. ASSUMED ROCK ELEVATIONS ARE SHOWN FOR ILLUSTRATIVE PURPOSES ONLY AND ACTUAL ELEVATIONS ENCOUNTERED MAY VARY.
 - COORDINATE ALL EXCAVATION WITH DEMOLITION WORK.

LEGEND:

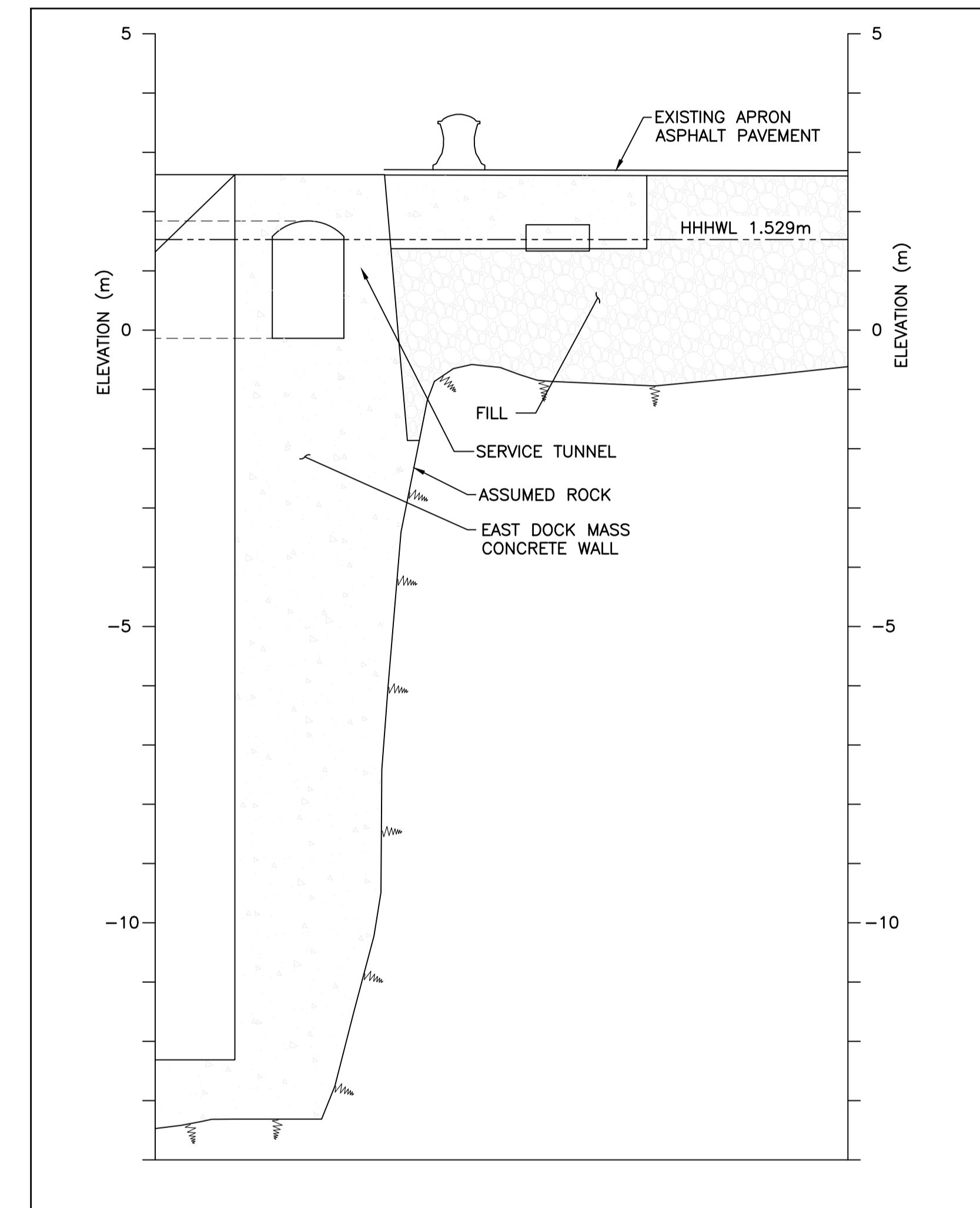
[Dotted pattern] EXCAVATION EXTENTS IN PLAN



SECTION - NORTH WALL
SCALE 1:75



SECTION - SOUTH WALL
SCALE 1:75



SECTION - EAST WALL
SCALE 1:75

NOTES:
1. FOR GENERAL NOTES, SEE DWG. S001.



Revision/Revision	Description/Description	Date/Date
A	TENDER	2021.01.07

Client/client
PUBLIC WORKS AND GOVERNMENT SERVICES CANADA

Project title/Titre du projet
**ESQUIMALT GRAVING DOCK
825 ADMIRALS ROAD, VICTORIA, BC**

**ESQUIMALT GRAVING DOCK
EAST END EXTENSION AND
SECTION 3 DOCK FLOOR
AND WALL REFURBISHMENT**

Consultant Signature Only

Designed by/Concept par
KU / MGCS

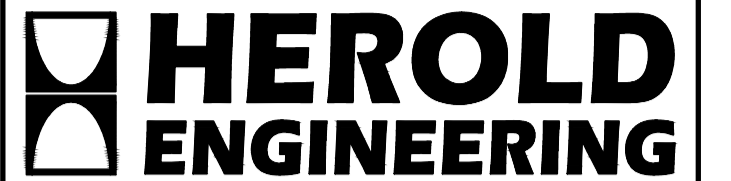
Drawn by/Dessiné par
JJMC/PHU

PWGSC Project Manager/Administrateur de Projets TPSGC
EUGENE YEUNG

Regional Manager, Architectural and Engineering Services
Regional Manager, Environmental Services
PREETIPAL FAUL

Drawing title/Titre du dessin
**EXCAVATION - CONDITIONS
AT EXISTING WALLS**

Project No./No. du projet R.096320.002	Sheet/Feuille S123	Revision no./La Révision no. A
--	------------------------------	--



HEL JOB FILE: 3191-017



Revision/Revision	Description/Description	Date/Date
C	TENDER	2021.01.07
B	95% REVIEW	2020.07.10
A	75% REVIEW	2020.05.20

Client/client

PUBLIC WORKS AND GOVERNMENT SERVICES CANADA

Project title/Titre du projet
**ESQUIMALT GRAVING DOCK
825 ADMIRALS ROAD, VICTORIA, BC**

**ESQUIMALT GRAVING DOCK
EAST END EXTENSION AND
SECTION 3 DOCK FLOOR
AND WALL REFURBISHMENT**

Consultant Signature Only

Designed by/Concept par
KU / MGCS

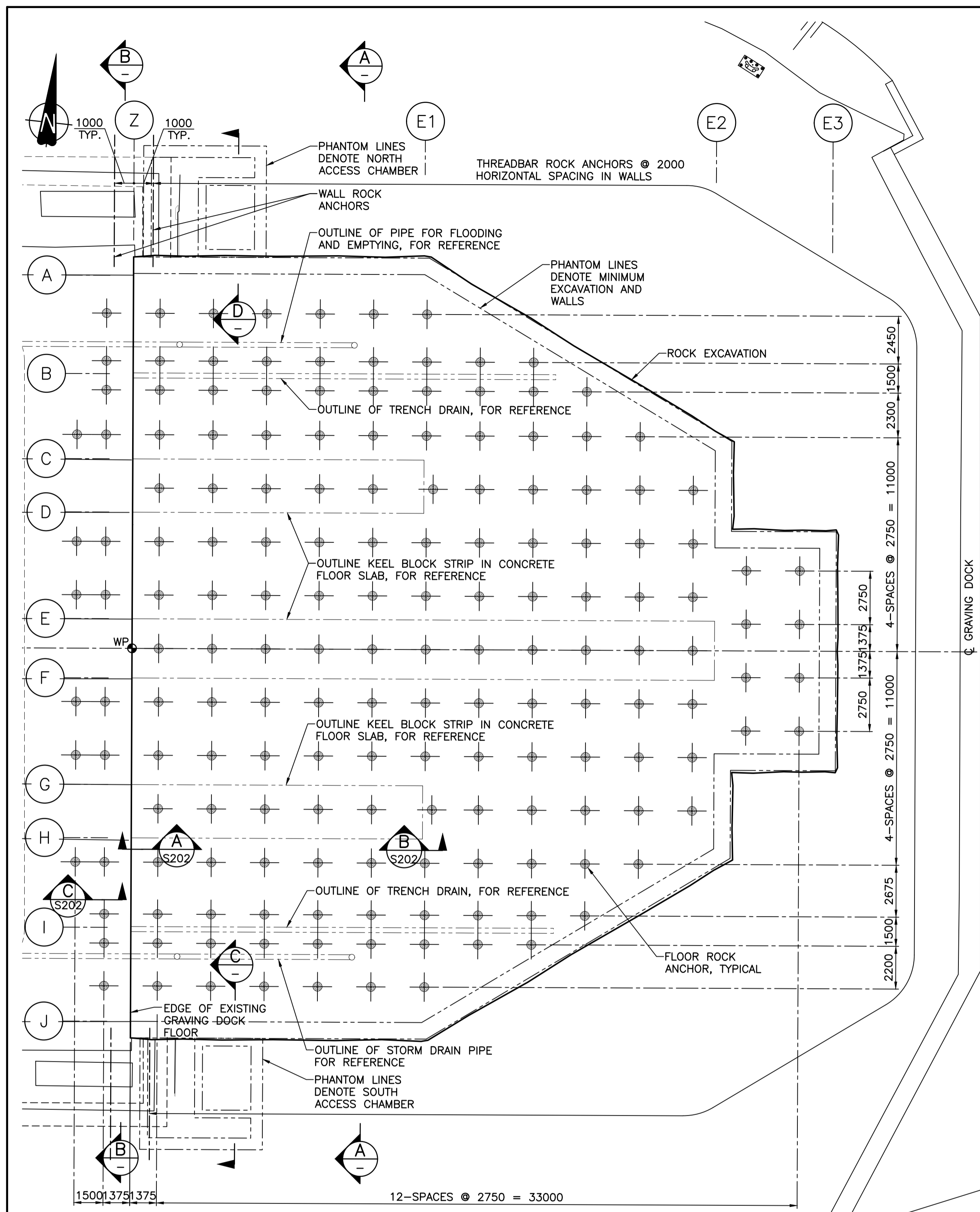
Drawn by/Dessiné par
JJMC

PWSC Project Manager/Administrateur de Projets TPSCG
EUGENE YEUNG

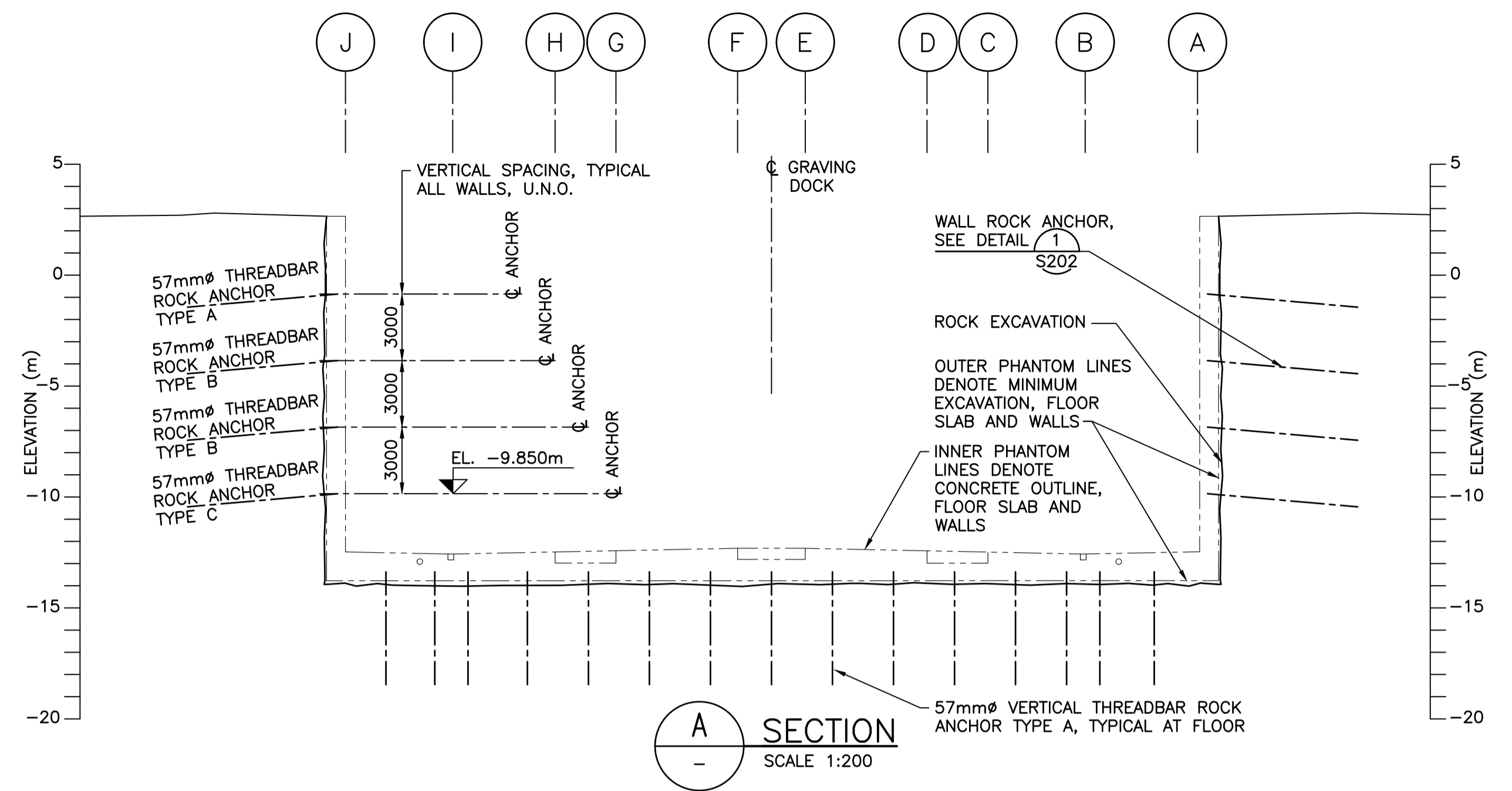
Regional Manager, Architectural and Engineering Services
Regional Manager, Environmental Services
PREETIPAL PAUL

Drawing title/Titre du dessin
ROCK ANCHORS - SHEET 1

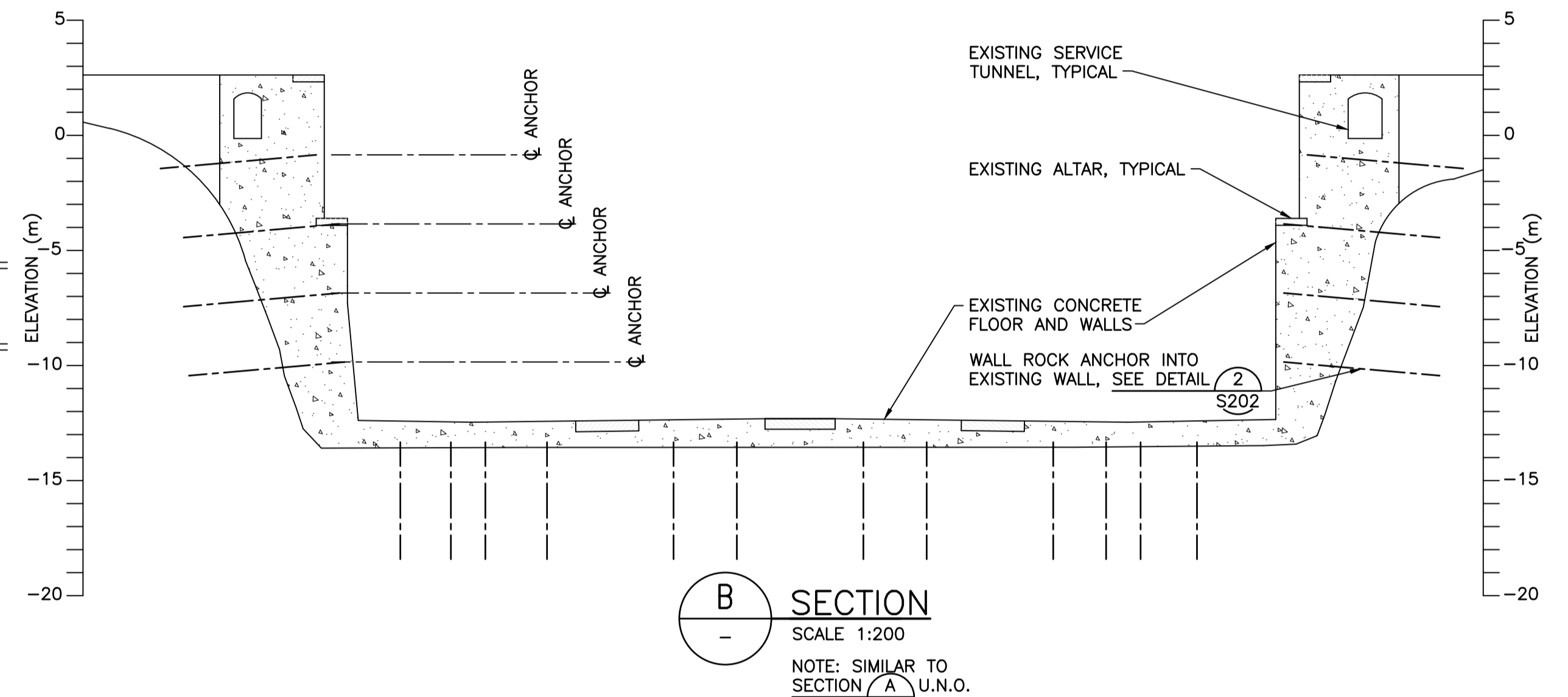
Project No./No. du projet R.096320.002	Sheet/Fauille S201	Revision no./La Révision no. C
--	------------------------------	--



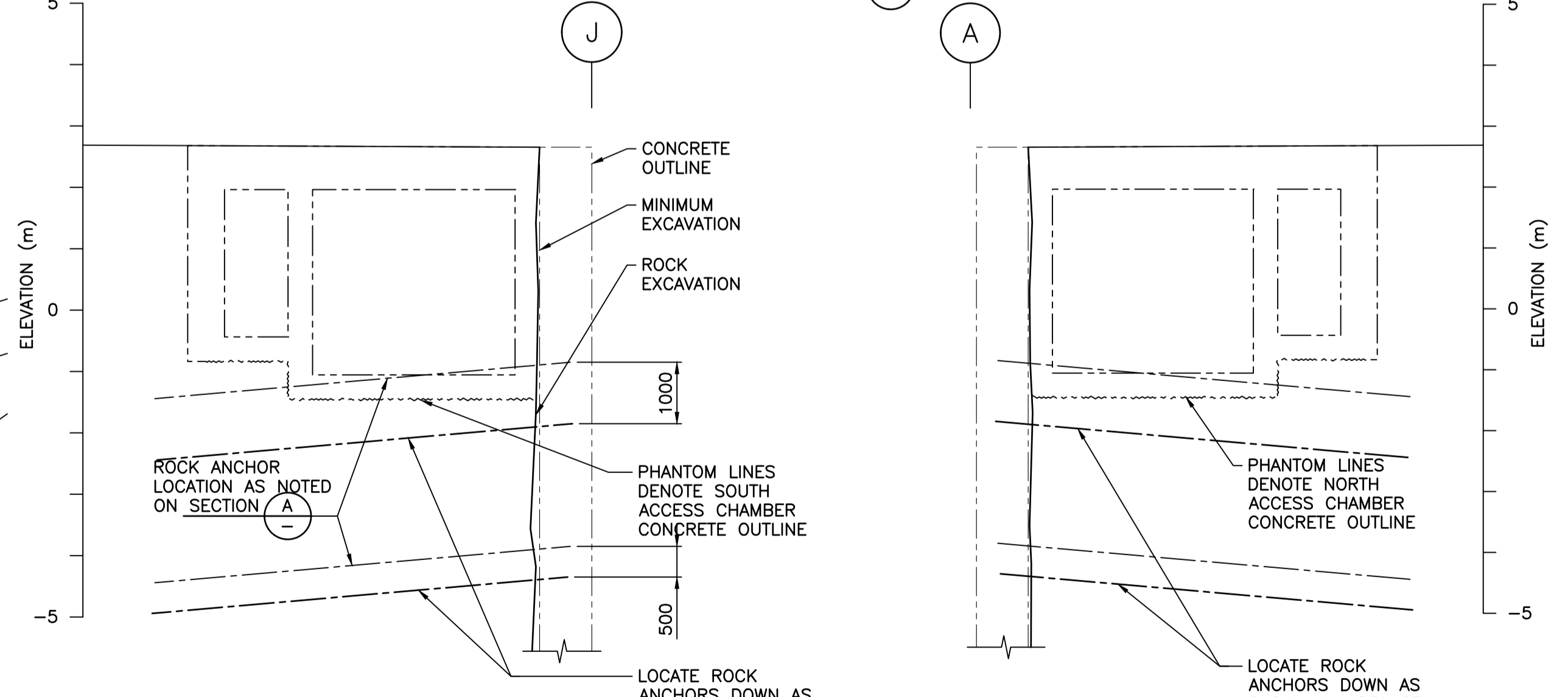
PLAN
1:150
NOTE: ALL ANCHORS THAT ARE TO BE INSTALLED THROUGH EXISTING CONCRETE ARE TO BE INSTALLED PRIOR TO DEMOLITION.



A SECTION
SCALE 1:200



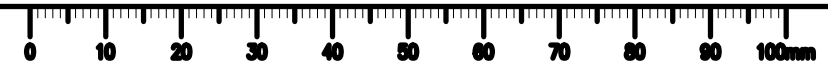
B SECTION
SCALE 1:200
NOTE: SIMILAR TO SECTION A U.N.O.

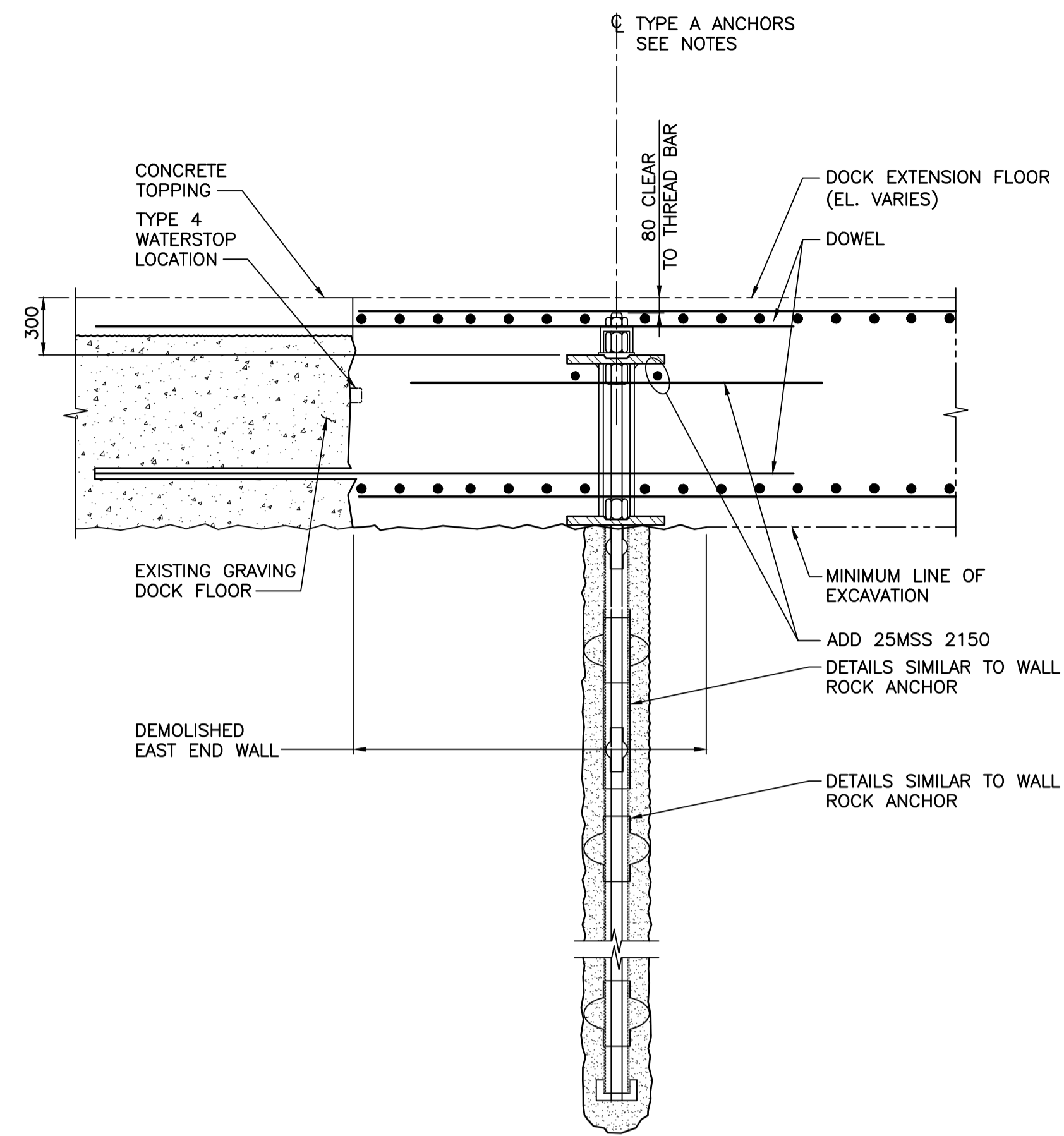


C SECTION
SCALE 1:75

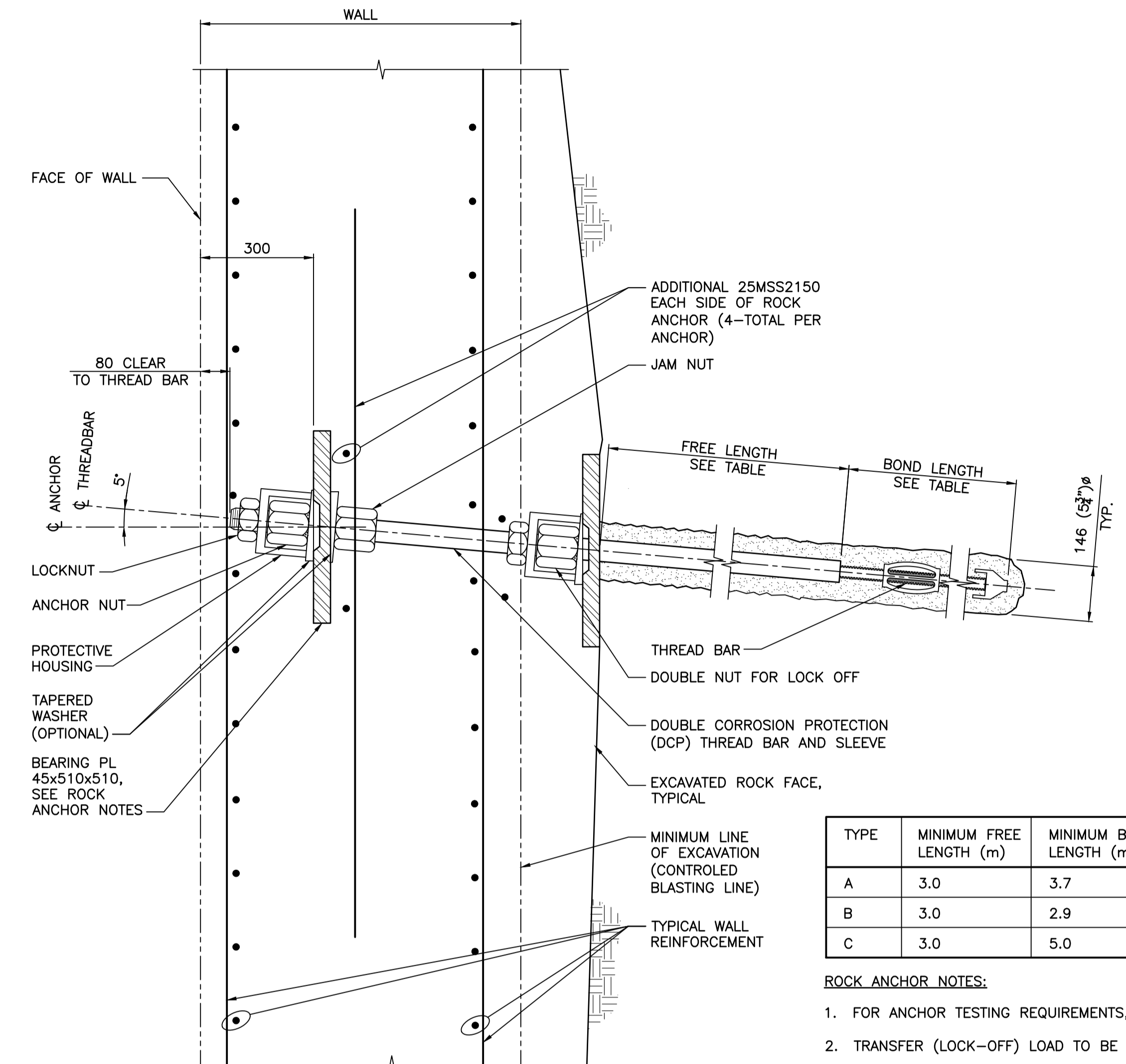
D SECTION
SCALE 1:75
NOTE: SIMILAR TO SECTION C U.N.O.

NOTES:
1. FOR GENERAL NOTES SEE DWG. S001.





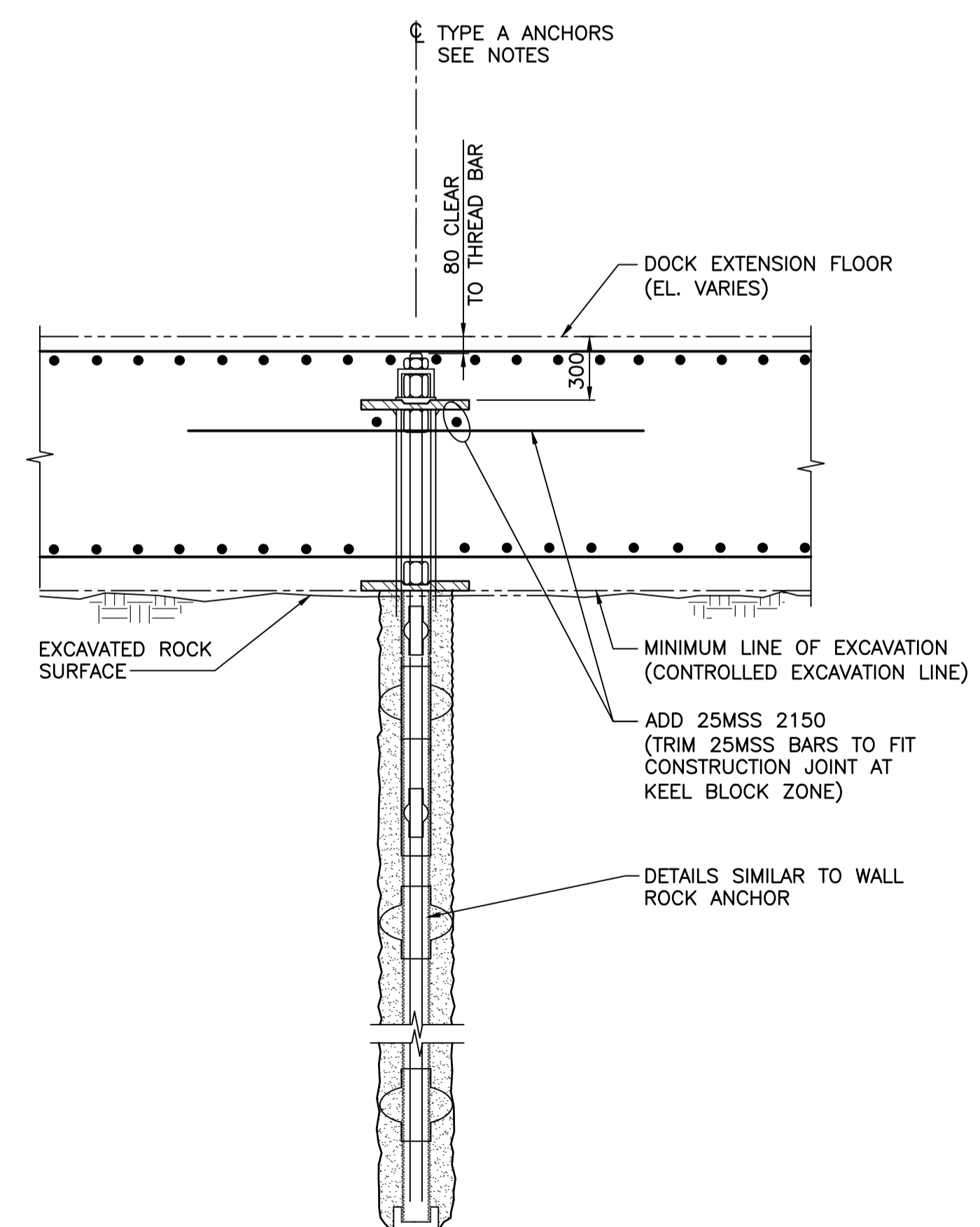
A SECTION
S201 SCALE 1:25



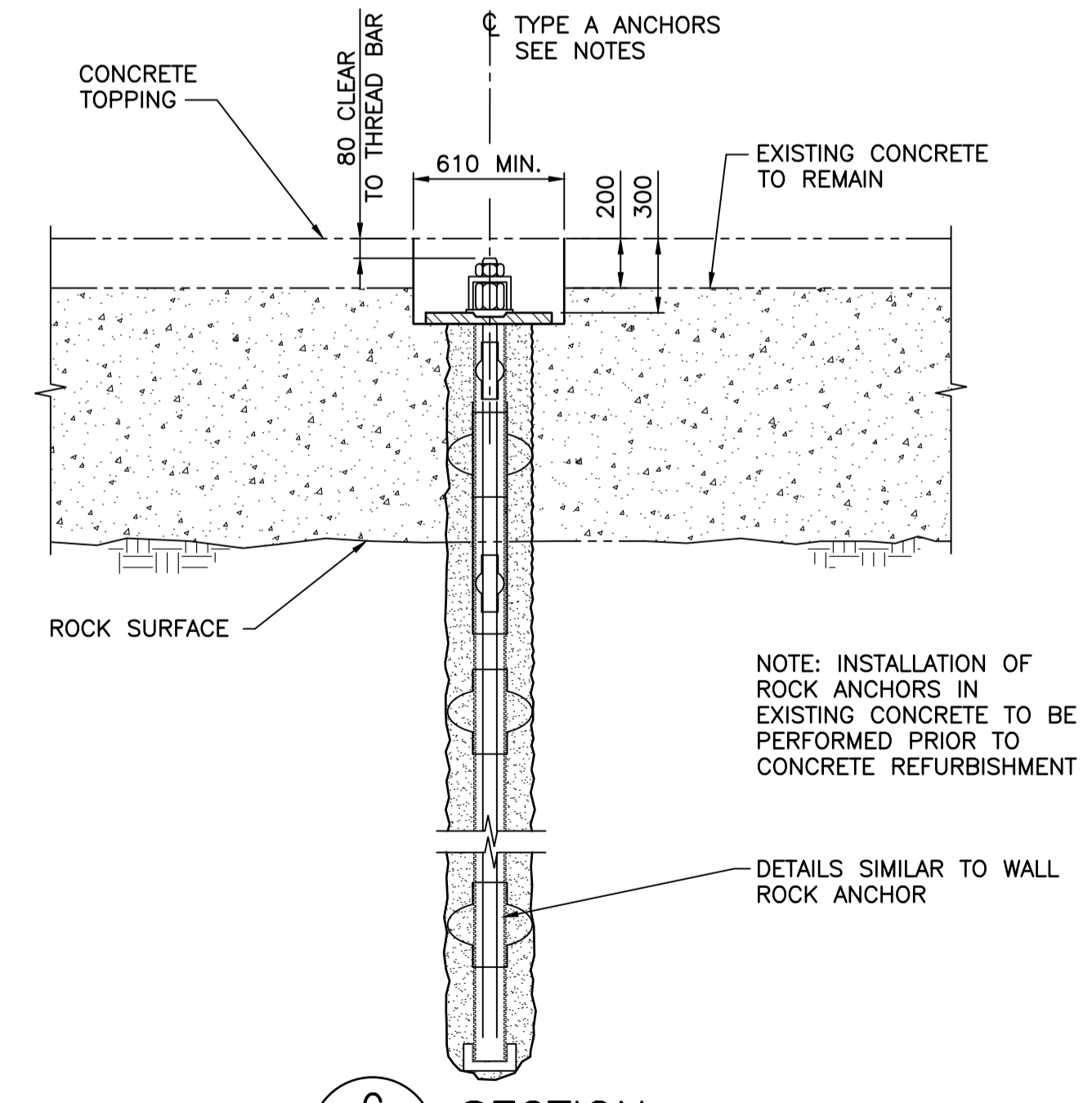
1 DETAIL
S201 SCALE 1:10

TYPE	MINIMUM FREE LENGTH (m)	MINIMUM BOND LENGTH (m)	MAXIMUM FACTORED DESIGN LOADS (kN)
A	3.0	3.7	1255
B	3.0	2.9	1000
C	3.0	5.0	1000

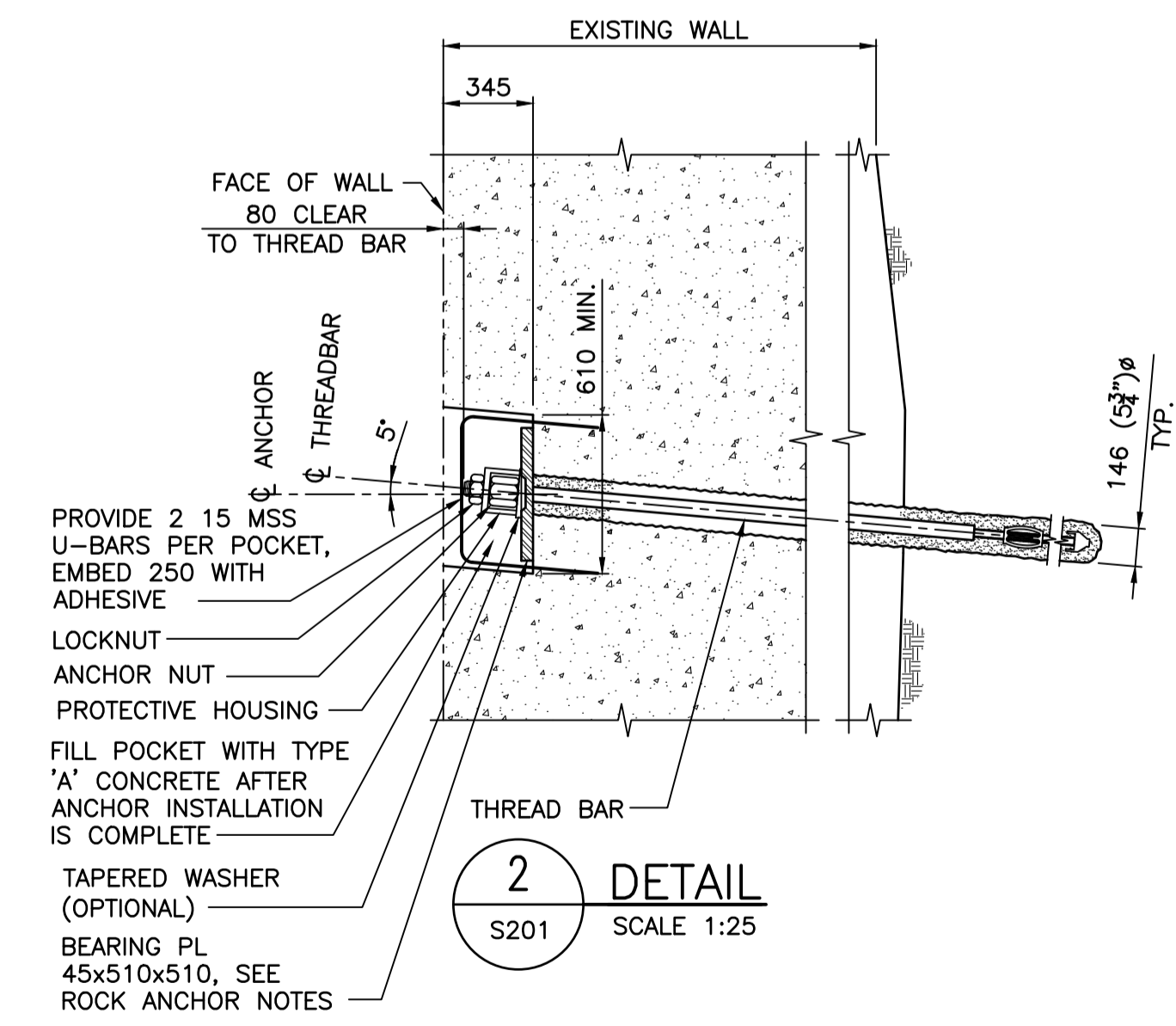
- ROCK ANCHOR NOTES:**
- FOR ANCHOR TESTING REQUIREMENTS, SEE SPECIFICATIONS.
 - TRANSFER (LOCK-OFF) LOAD TO BE APPLIED: 50% OF MAX DESIGN LOAD.
 - ENSURE PROPER BEARING ALIGNMENT BY MEANS OF LOCK NUT BEHIND BEARING PLATE OR SIMILAR. BEARING PLATE MAY BE SET AS SHOWN OR PERPENDICULAR TO ANCHOR.



B SECTION
S201 SCALE 1:25



C SECTION
S201 SCALE 1:25



2 DETAIL
S201 SCALE 1:25

- NOTES:**
- FOR GENERAL NOTES SEE DWG. S001.

Revision/Revision	Description/Description	Date/Date
C	TENDER	2021.01.07
B	99% REVIEW	2020.07.10
A	75% REVIEW	2020.05.20

Client/client

PUBLIC WORKS AND GOVERNMENT SERVICES CANADA

Project title/Titre du projet
**ESQUIMALT GRAVING DOCK
825 ADMIRALS ROAD, VICTORIA, BC**

**ESQUIMALT GRAVING DOCK
EAST END EXTENSION AND
SECTION 3 DOCK FLOOR
AND WALL REFURBISHMENT**

Consultant Signature Only

Designed by/Concept par
KU / MGCS

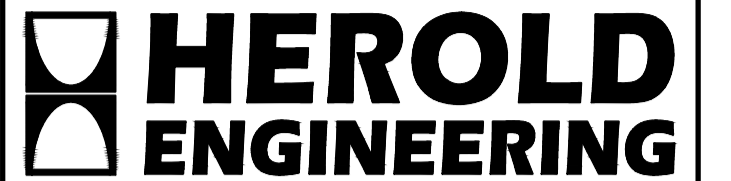
Drawn by/Dessiné par
JJMC

PWGC Project Manager/Administrateur de Projets TPSCG
EUGENE YEUNG

Regional Manager, Architectural and Engineering Services
Regional Manager, Environmental Services
PREETIPAL FAUL

Drawing title/Titre du dessin
ROCK ANCHORS - SHEET 2

Project No./No. du projet	Sheet/Feuille	Revision no./La Révision no.
R.096320.002	S202	C



HEL JOB FILE: 3191-017



Revision/Revision	Description/Description	Date/Date
C	TENDER	2021.01.07
B	90% REVIEW	2020.07.10
A	75% REVIEW	2020.05.20

Client/client
PUBLIC WORKS AND GOVERNMENT SERVICES CANADA

Project title/Titre du projet
**ESQUIMALT GRAVING DOCK
 825 ADMIRALS ROAD, VICTORIA, BC**

**ESQUIMALT GRAVING DOCK
 EAST END EXTENSION AND
 SECTION 3 DOCK FLOOR
 AND WALL REFURBISHMENT**

Consultant Signature Only

Designed by/Concept par
 KU / MGCS

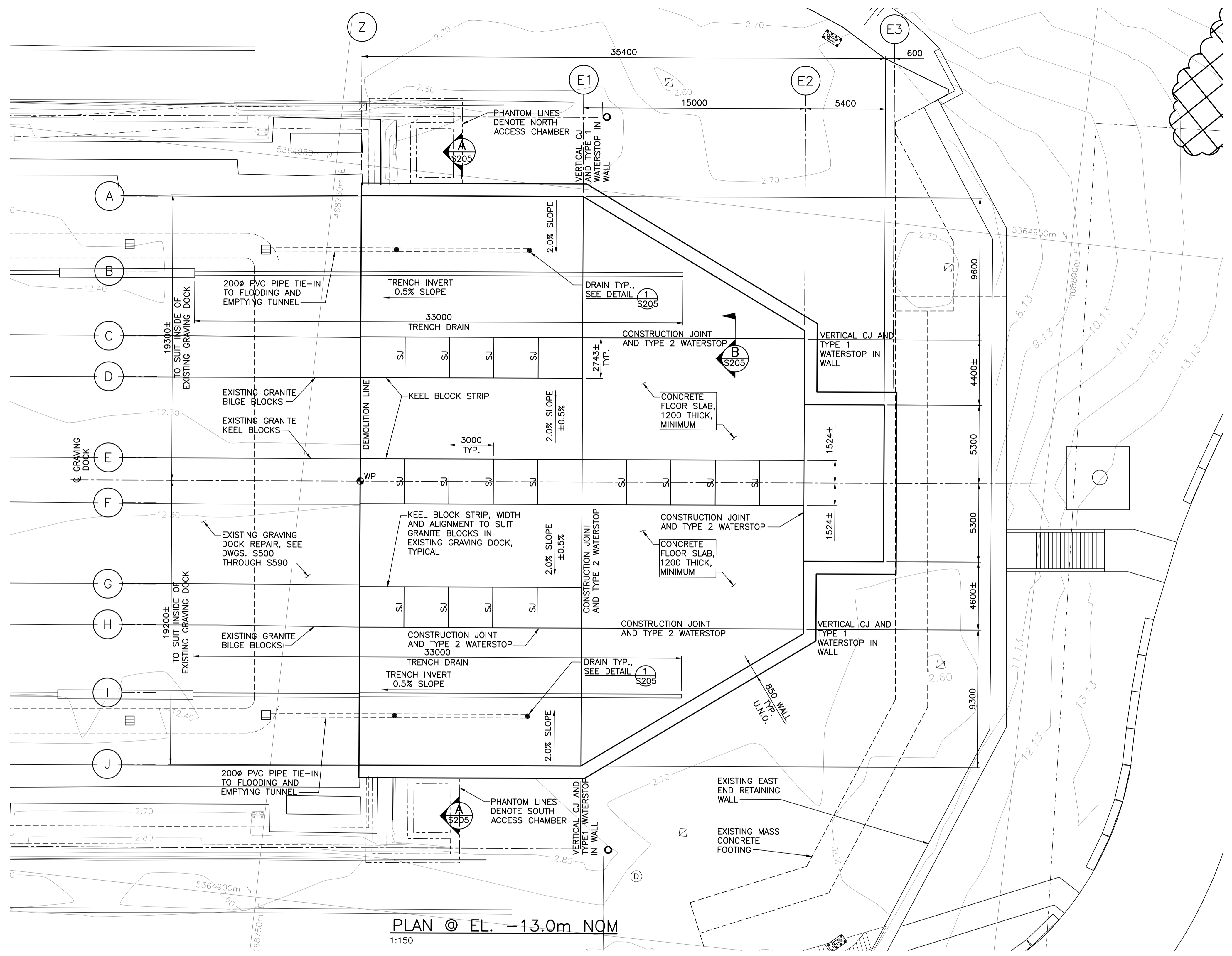
Drawn by/Dessiné par
 JJMC

PWGSC Project Manager/Administrateur de Projets TPSGC
 EUGENE YEUNG

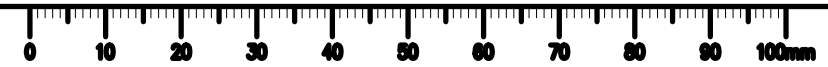
Regional Manager, Architectural and Engineering Services
 Regional Manager, Environmental Services
 PREETIPAL PAUL

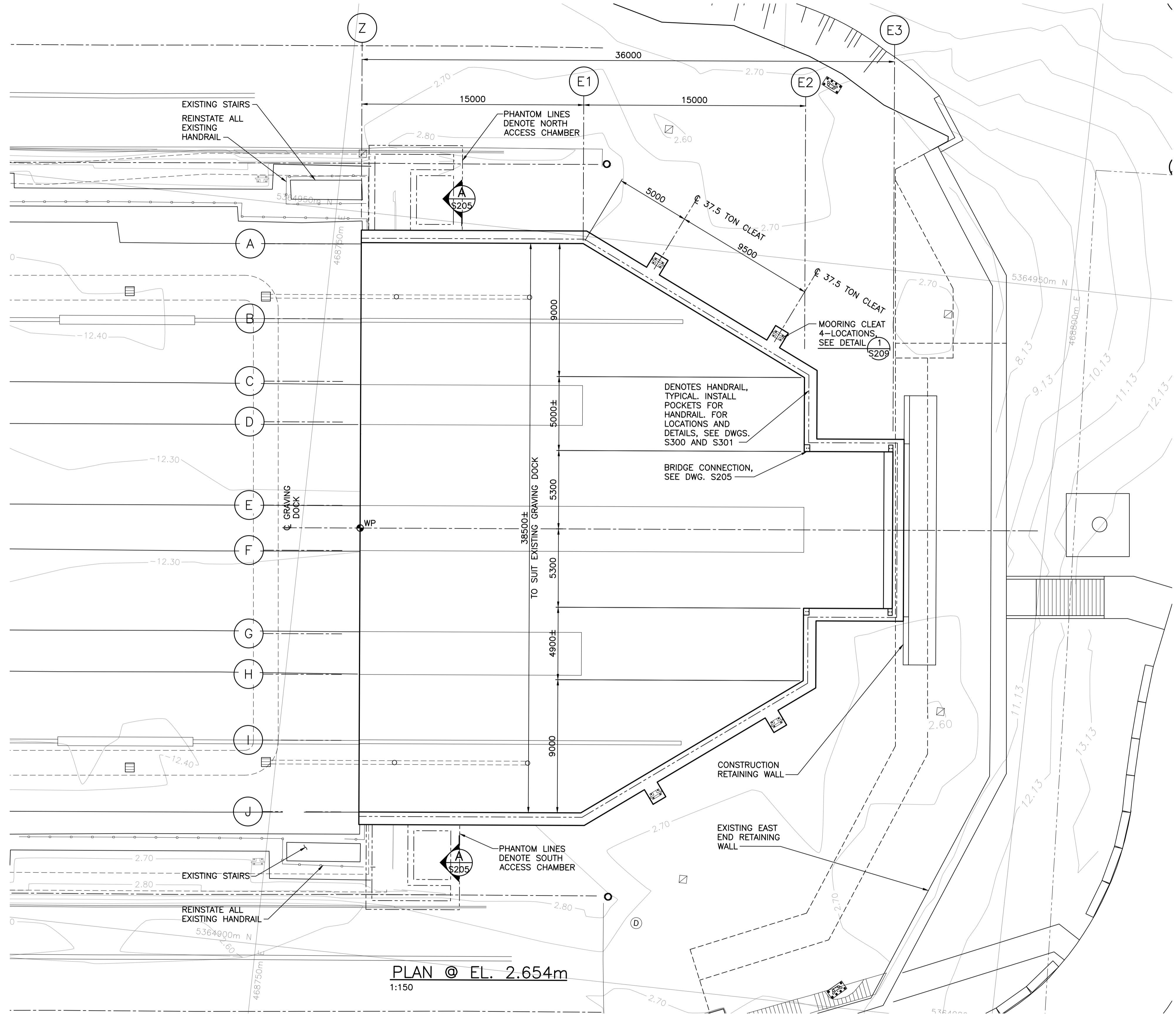
Drawing title/Titre du dessin
CONCRETE OUTLINE - SHEET 1

Project No./No. du projet R.096320.002	Sheet/Feuille S203	Revision no./ La Révision no. C
--	------------------------------	--



NOTES:
 1. FOR GENERAL NOTES SEE DWG. S001.





PLAN @ EL. 2.654m
1:150



Revision/	Description/Description	Date/Date
C	TENDER	2021.01.07
B	95% REVIEW	2020.07.10
A	75% REVIEW	2020.05.20

Client/client
PUBLIC WORKS AND GOVERNMENT SERVICES CANADA

Project title/Titre du projet
**ESQUIMALT GRAVING DOCK
825 ADMIRALS ROAD, VICTORIA, BC**

**ESQUIMALT GRAVING DOCK
EAST END EXTENSION AND
SECTION 3 DOCK FLOOR
AND WALL REFURBISHMENT**

Consultant Signature Only

Designed by/Concept par
KU / MGCS

Drawn by/Dessiné par
JJMC

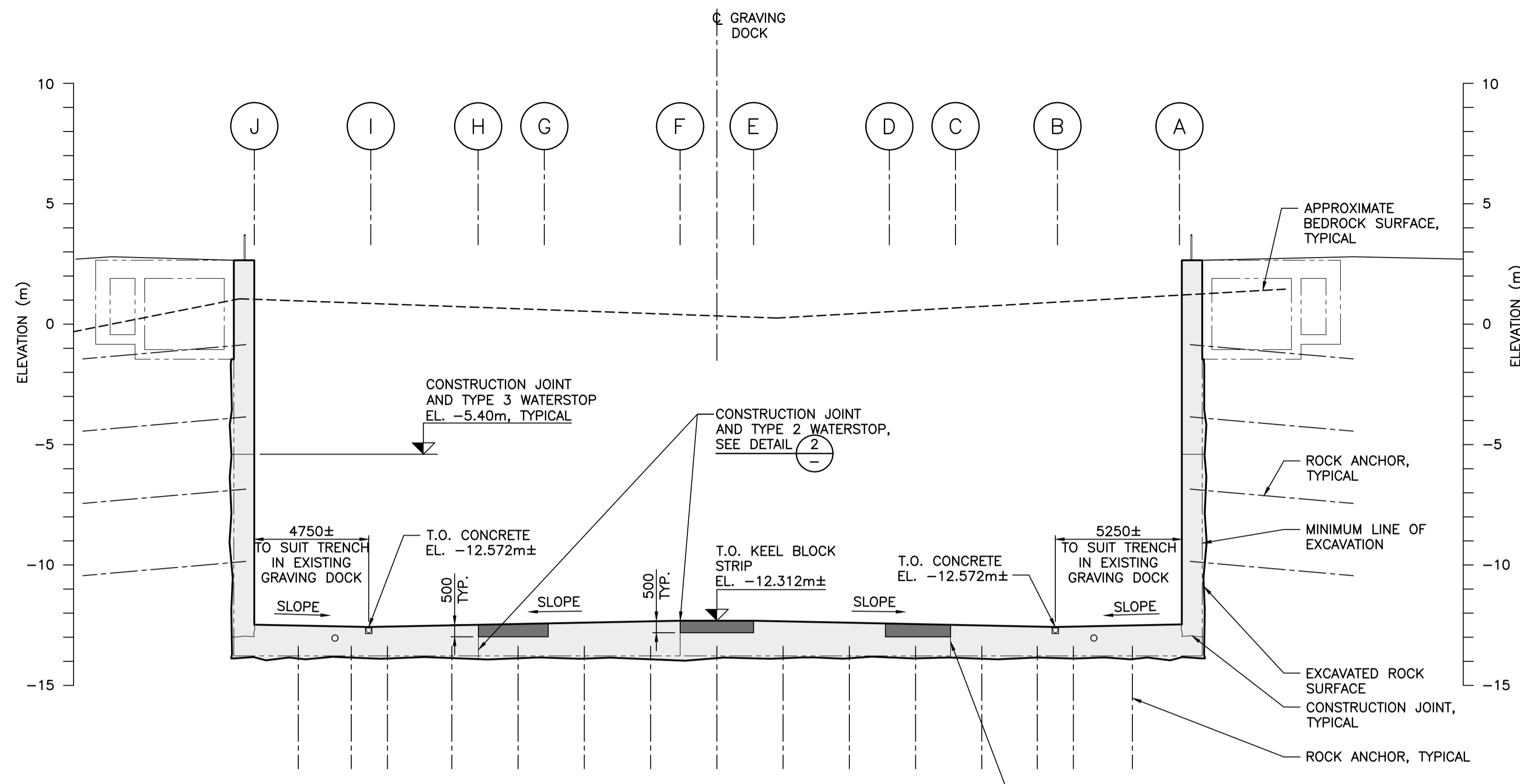
PWCS Project Manager/Administrateur de Projets TPSCG
EUGENE YEUNG

Regional Manager, Architectural and Engineering Services
Regional Manager, Environmental Services
PREETIPAL PAUL

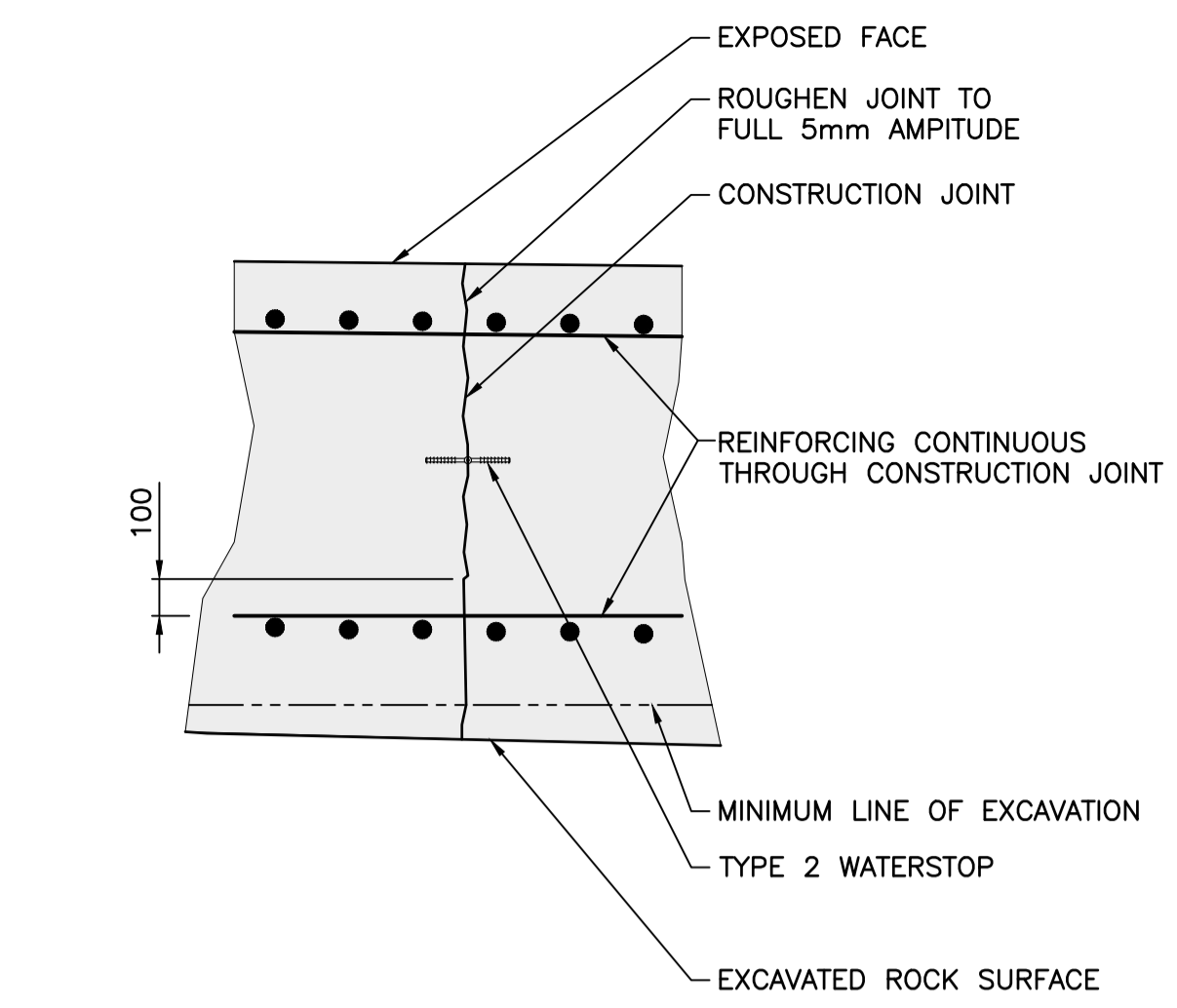
Drawing title/Titre du dessin
CONCRETE OUTLINE - SHEET 2

Project No./No. du projet	Sheet/Feuille	Revision no./La Révision no.
R.096320.002	S204	C

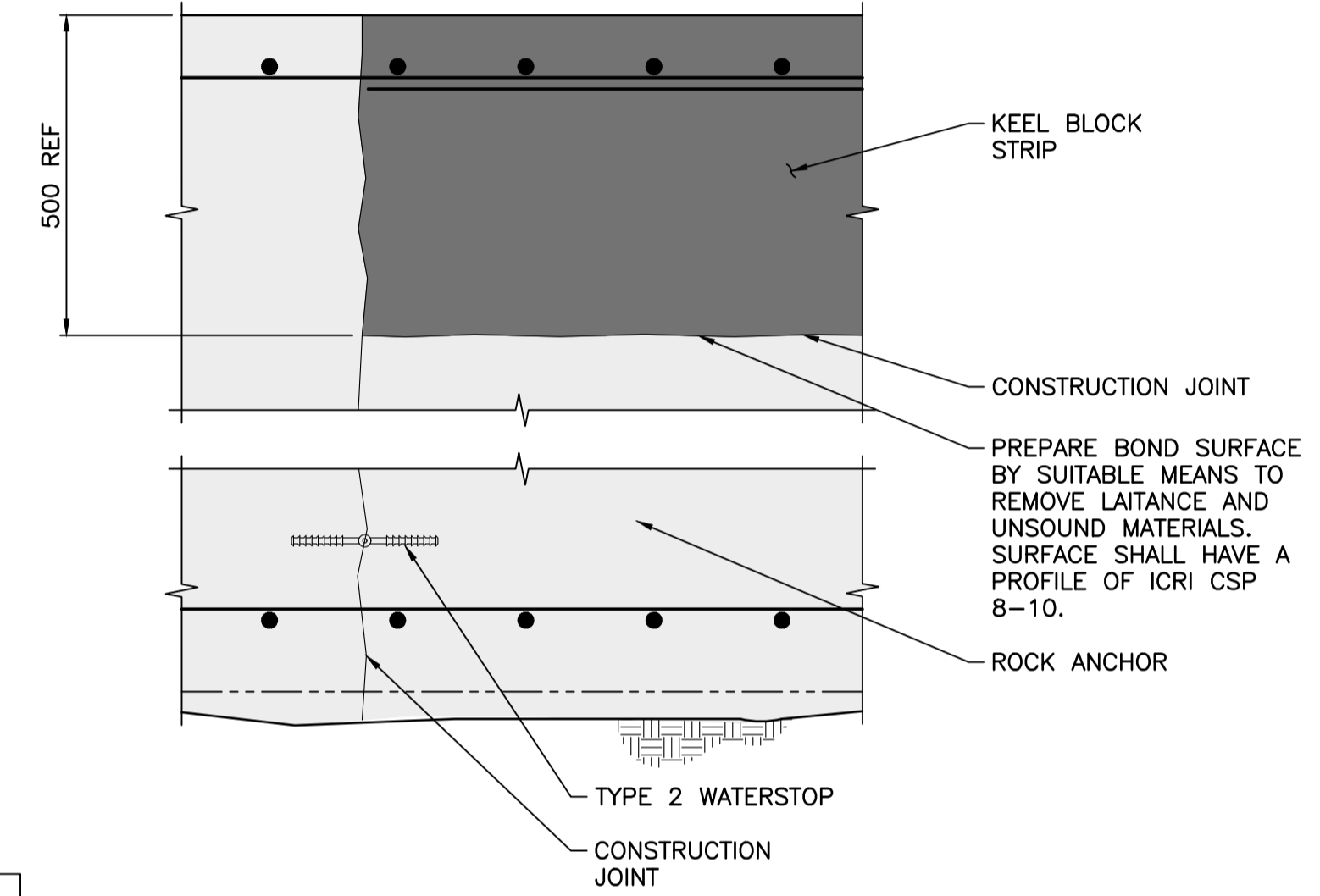
NOTES:
1. FOR GENERAL NOTES, SEE DWG. S001.



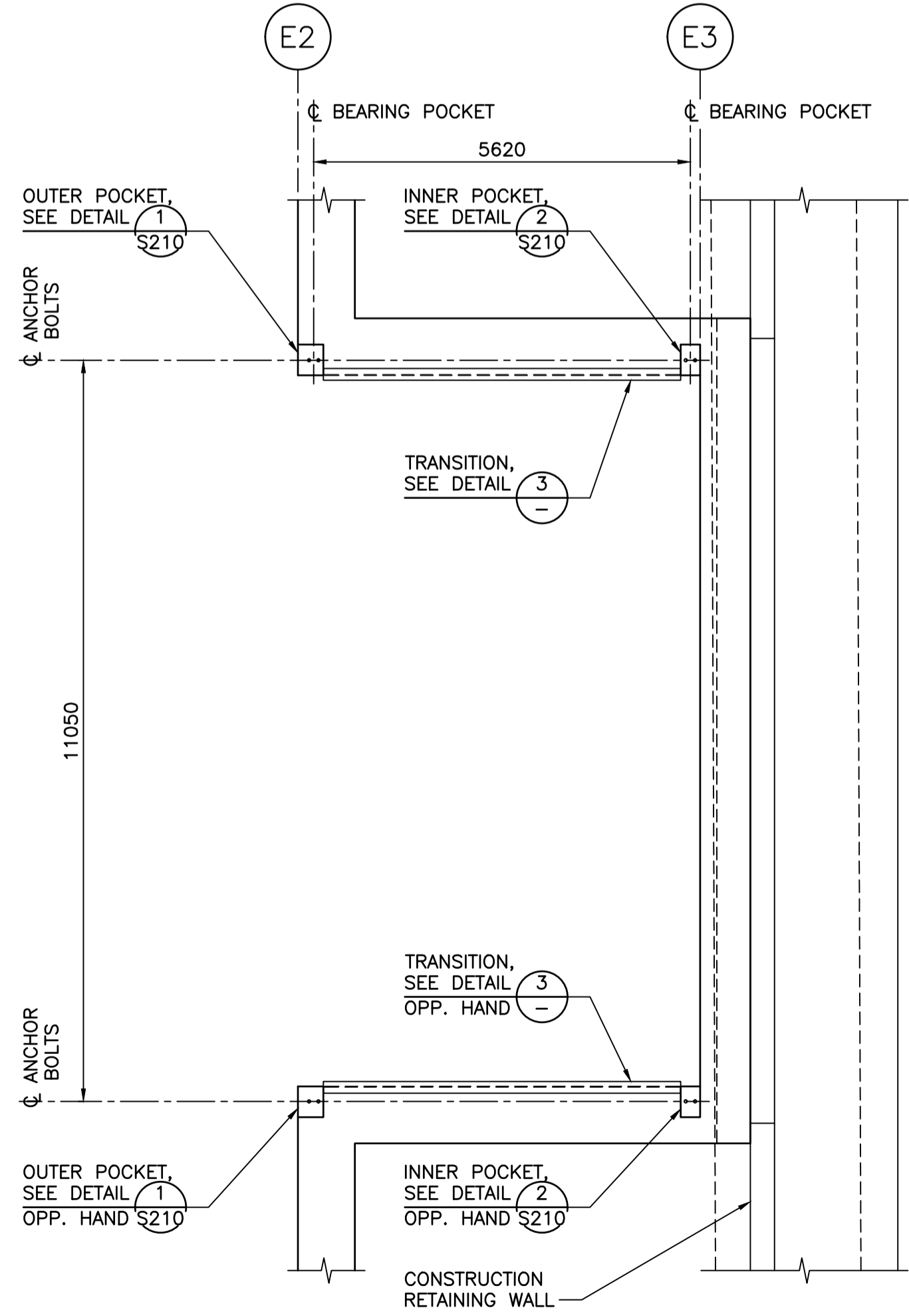
A SECTION
SCALE 1:150
NOTE: REINFORCEMENT NOT SHOWN.



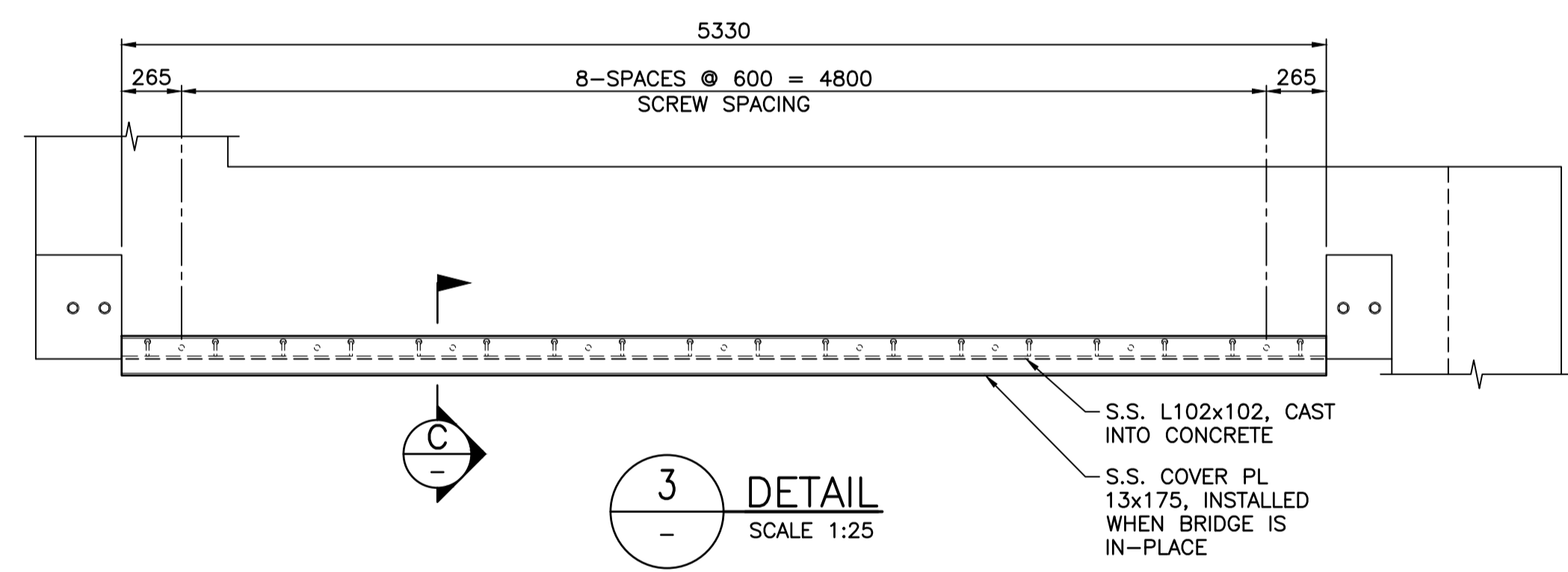
DETAIL - TYPICAL CONSTRUCTION JOINT (CJ)
SCALE 1:20



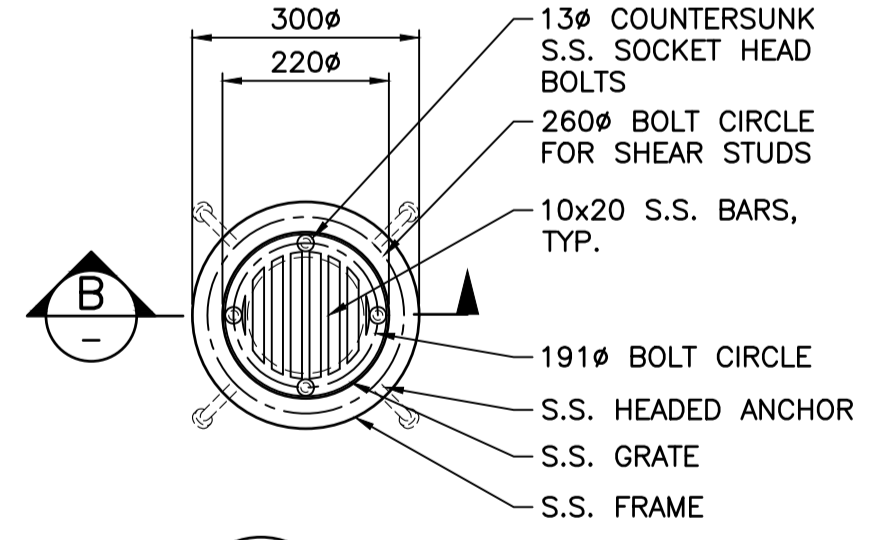
2 DETAIL
SCALE 1:10



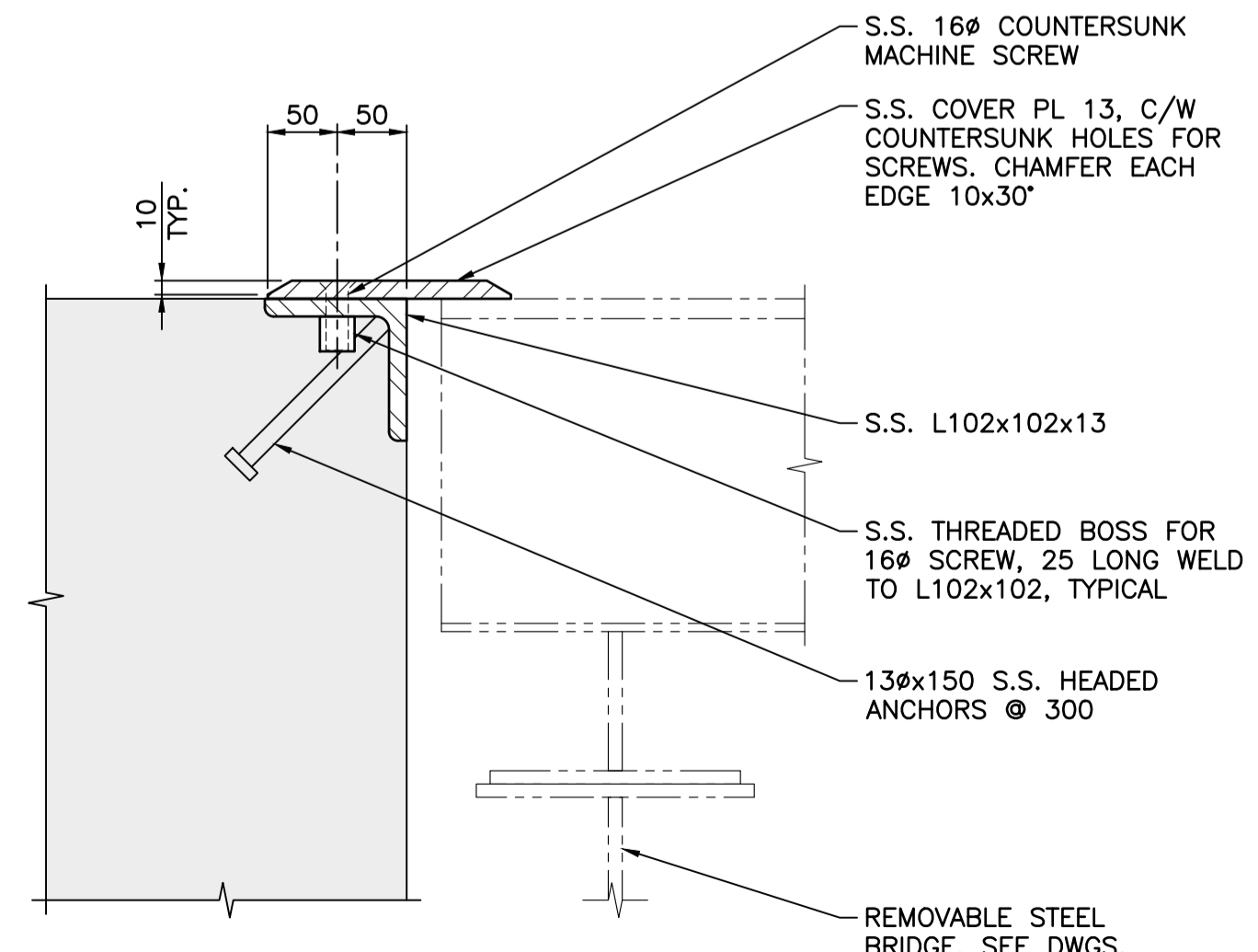
PLAN - BRIDGE CONNECTION
SCALE 1:75



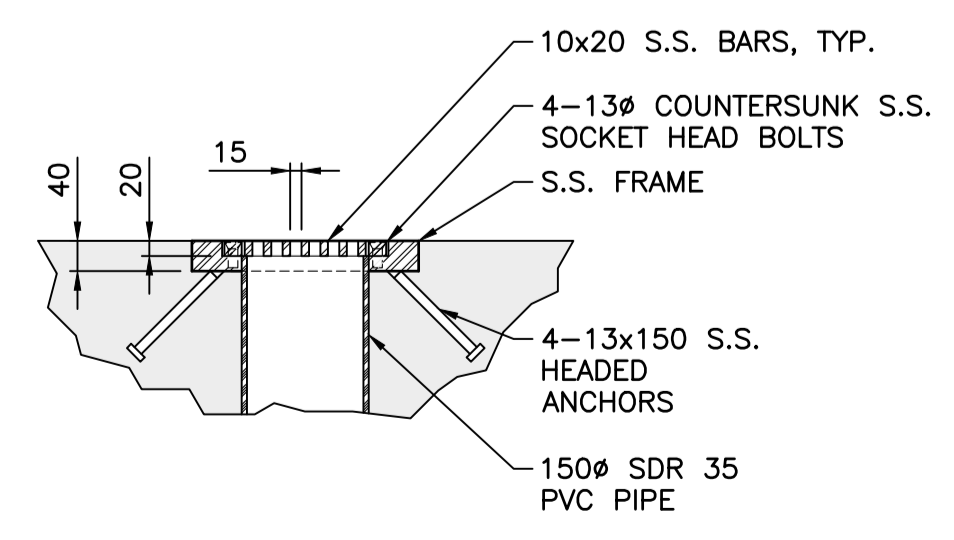
3 DETAIL
SCALE 1:25



1 DETAIL
SCALE 1:10



C SECTION
SCALE 1:5



B SECTION
SCALE 1:10

NOTES:
1. FOR GENERAL NOTES SEE DWG. S001.

Revision/Revision	Description/Description	Date/Date
B	TENDER	2021.01.07
A	90% REVIEW	2020.07.10

Client/client
PUBLIC WORKS AND GOVERNMENT SERVICES CANADA

Project title/Titre du projet
**ESQUIMALT GRAVING DOCK
825 ADMIRALS ROAD, VICTORIA, BC**

**ESQUIMALT GRAVING DOCK
EAST END EXTENSION AND
SECTION 3 DOCK FLOOR
AND WALL REFURBISHMENT**

Consultant Signature Only

Designed by/Concept par
KU / MGCS

Drawn by/Dessiné par
JJMC

PWGC Project Manager/Administrateur de Projets TPSCG
EUGENE YEUNG

Regional Manager, Architectural and Engineering Services
Regional Manager, Environmental Services
PREETIPAL PAUL

Drawing title/Titre du dessin
CONCRETE OUTLINE - SHEET 3

Project No./No. du projet R.096320.002	Sheet/Feuille S205	Revision no./ La Révision no. B
--	------------------------------	--



Revision/	Description/Description	Date/Date
C	TENDER	2021.01.07
B	90% REVIEW	2020.07.10
A	75% REVIEW	2020.05.20

Client/client
PUBLIC WORKS AND GOVERNMENT SERVICES CANADA

Project title/Titre du projet
**ESQUIMALT GRAVING DOCK
825 ADMIRALS ROAD, VICTORIA, BC**

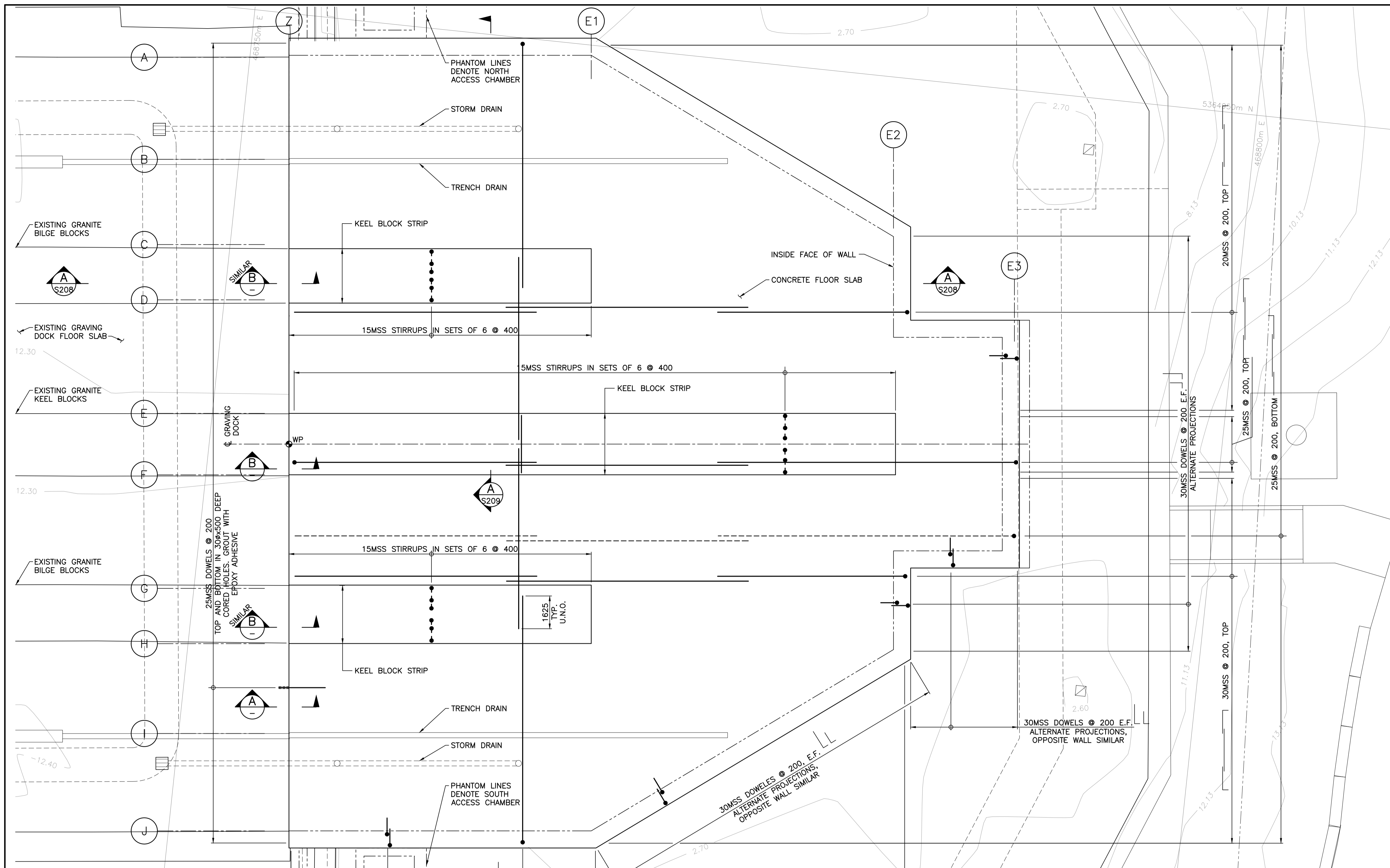
**ESQUIMALT GRAVING DOCK
EAST END EXTENSION AND
SECTION 3 DOCK FLOOR
AND WALL REFURBISHMENT**

Consultant Signature Only

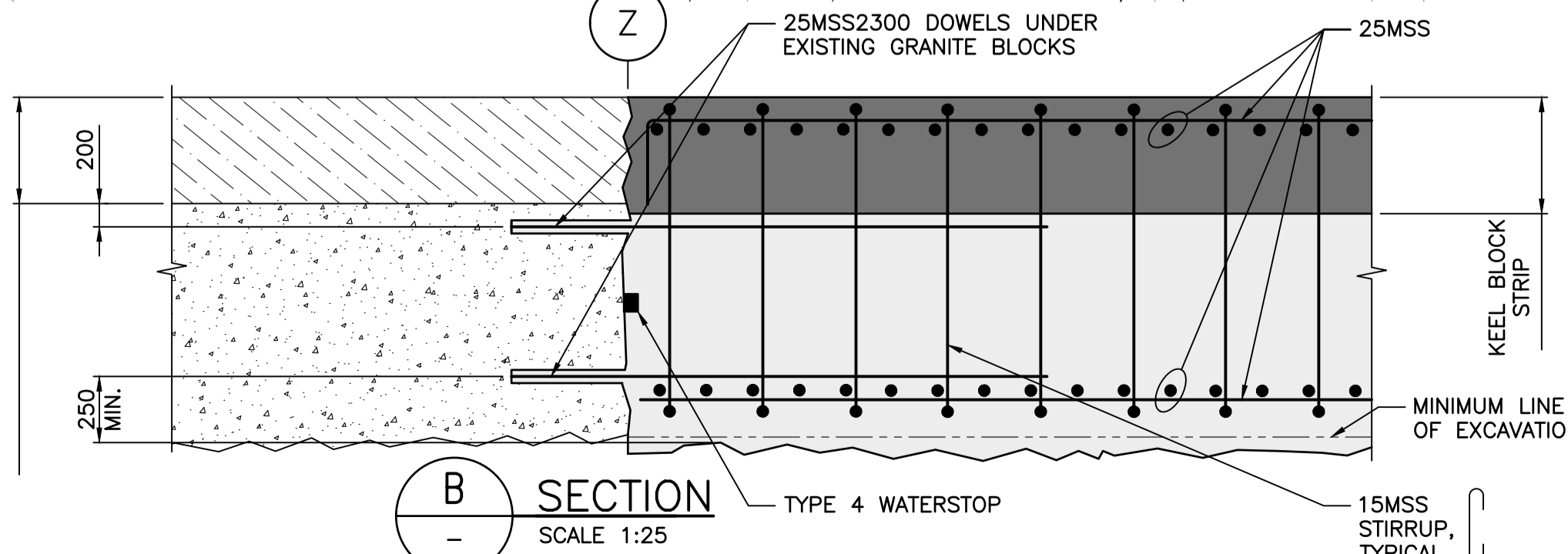
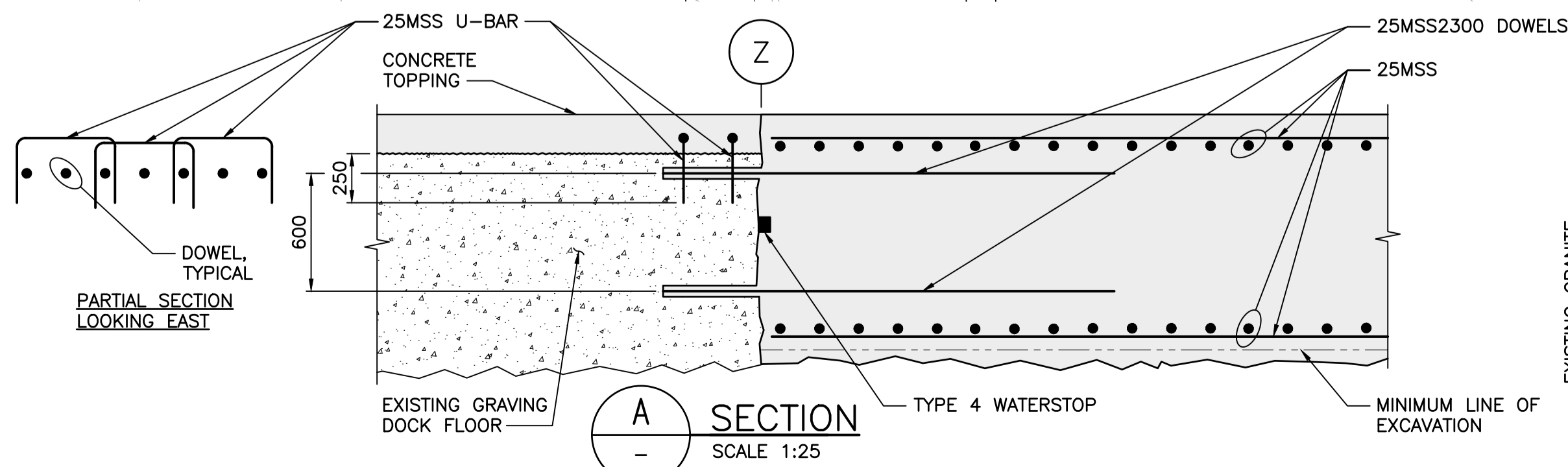
Designed by/Concept par
KU / MGCS
Drawn by/Dessiné par
JJMC
PWGSC Project Manager/Administrateur de Projets TPSCG
EUGENE YEUNG
Regional Manager, Architectural and Engineering Services
Regional Manager, Environmental Services
PREETIPAL FAUL

Drawing title/Titre du dessin
CONCRETE REINFORCEMENT - SHEET 1

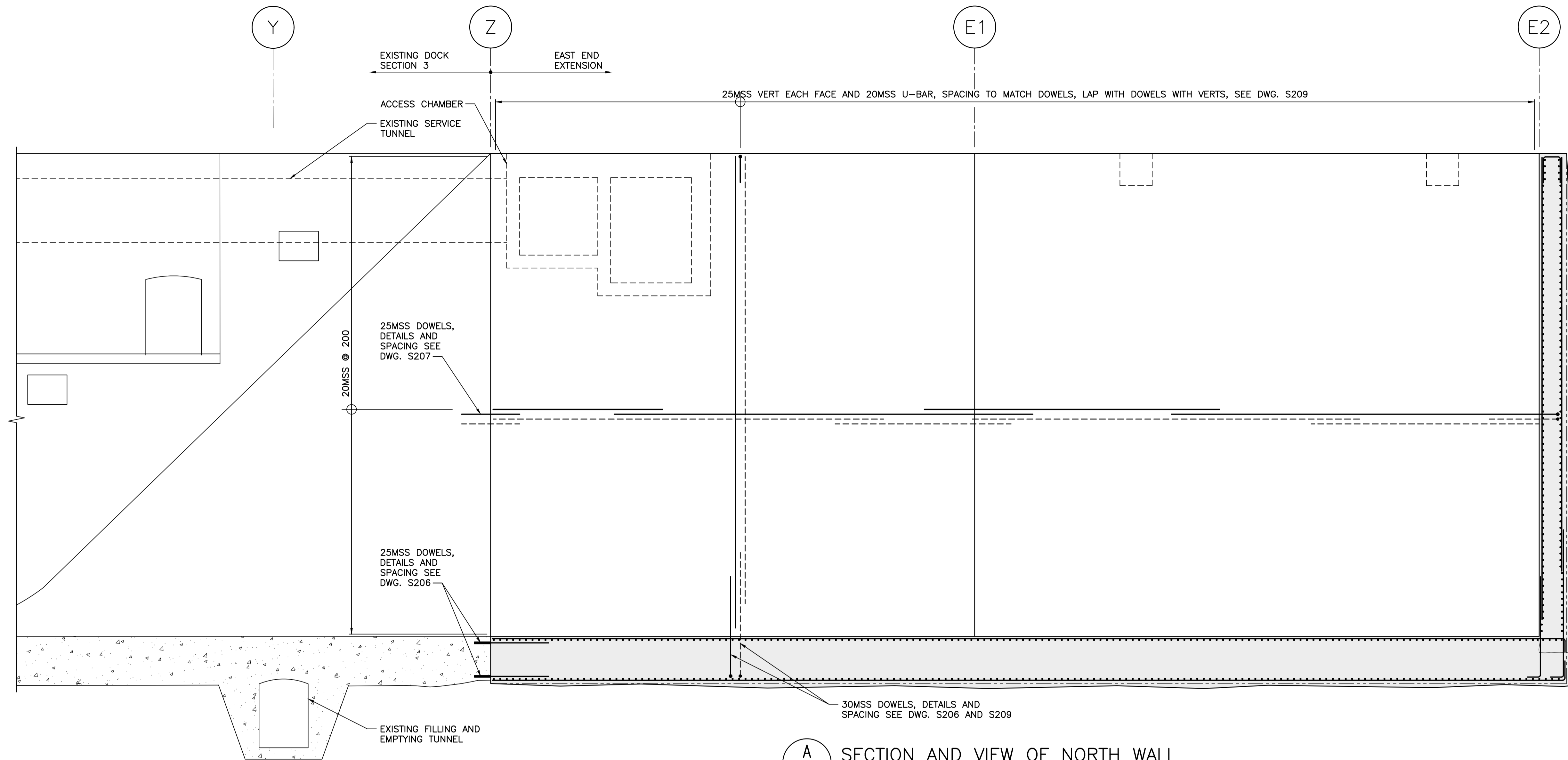
Project No./No. du projet R.096320.002	Sheet/Feuille S206	Revision no./La Révision no. C
--	------------------------------	--



PLAN @ EL. -13.000m NOM.
1:100



NOTES:
1. FOR GENERAL NOTES SEE DWG. S001.



A SECTION AND VIEW OF NORTH WALL
 S206 SCALE 1:75
 NOTES:
 1. SOUTH WALL SIMILAR.
 2. ROCK ANCHORS NOT SHOWN FOR CLARITY.



Revision/Revision	Description/Description	Date/Date
C	TENDER	2021.01.07
B	90% REVIEW	2020.07.10
A	75% REVIEW	2020.05.20

Client/client
PUBLIC WORKS AND GOVERNMENT SERVICES CANADA

Project title/Titre du projet
**ESQUIMALT GRAVING DOCK
 825 ADMIRALS ROAD, VICTORIA, BC**

**ESQUIMALT GRAVING DOCK
 EAST END EXTENSION AND
 SECTION 3 DOCK FLOOR
 AND WALL REFURBISHMENT**

Consultant Signature Only

Designed by/Concept par
 KU / MGCS

Drawn by/Dessiné par
 JJMC

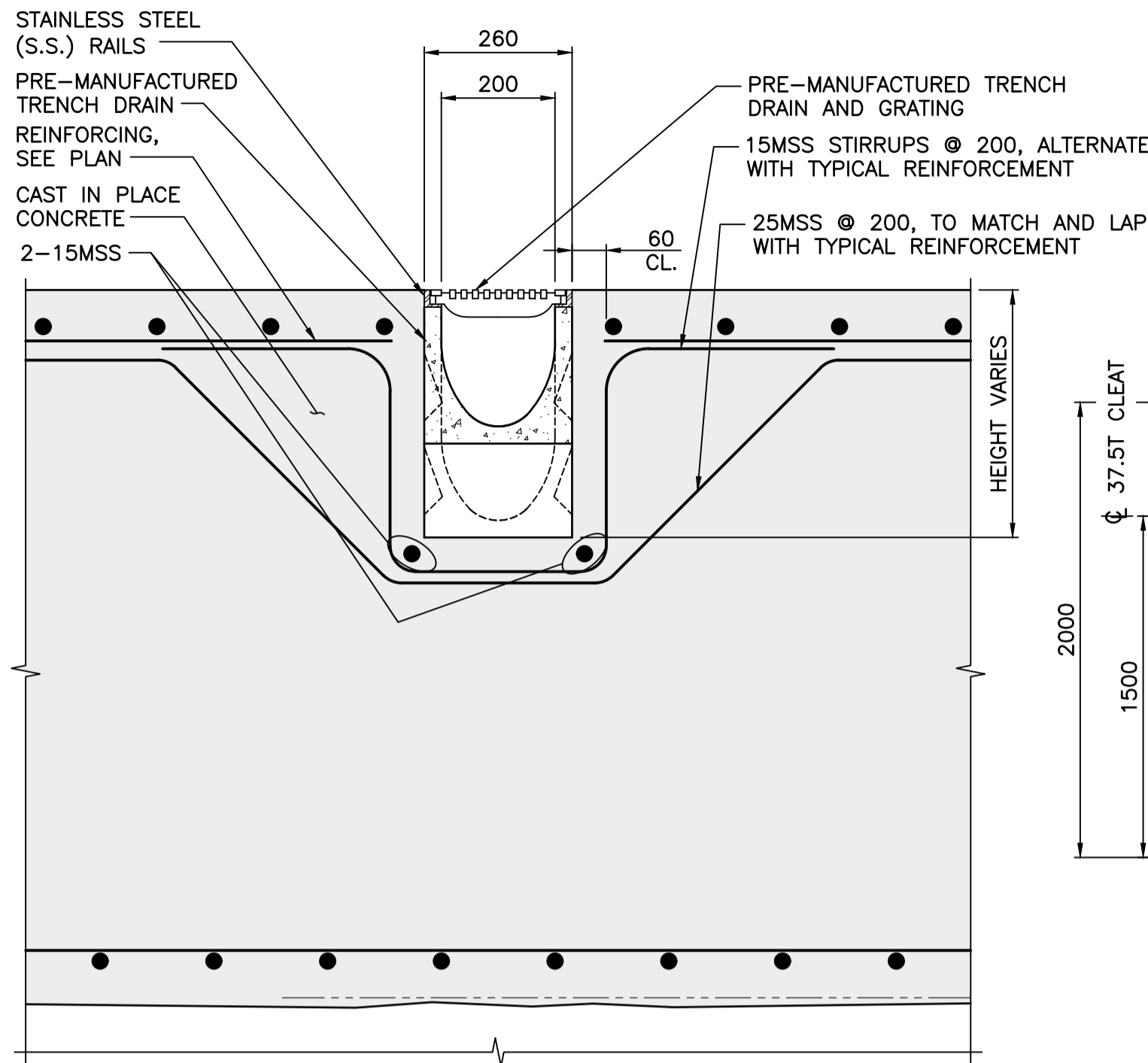
PWGSC Project Manager/Administrateur de Projets TPSGC
 EUGENE YEUNG

Regional Manager, Architectural and Engineering Services
 Regional Manager, Environmental Services
 PREETIPAL FAUL

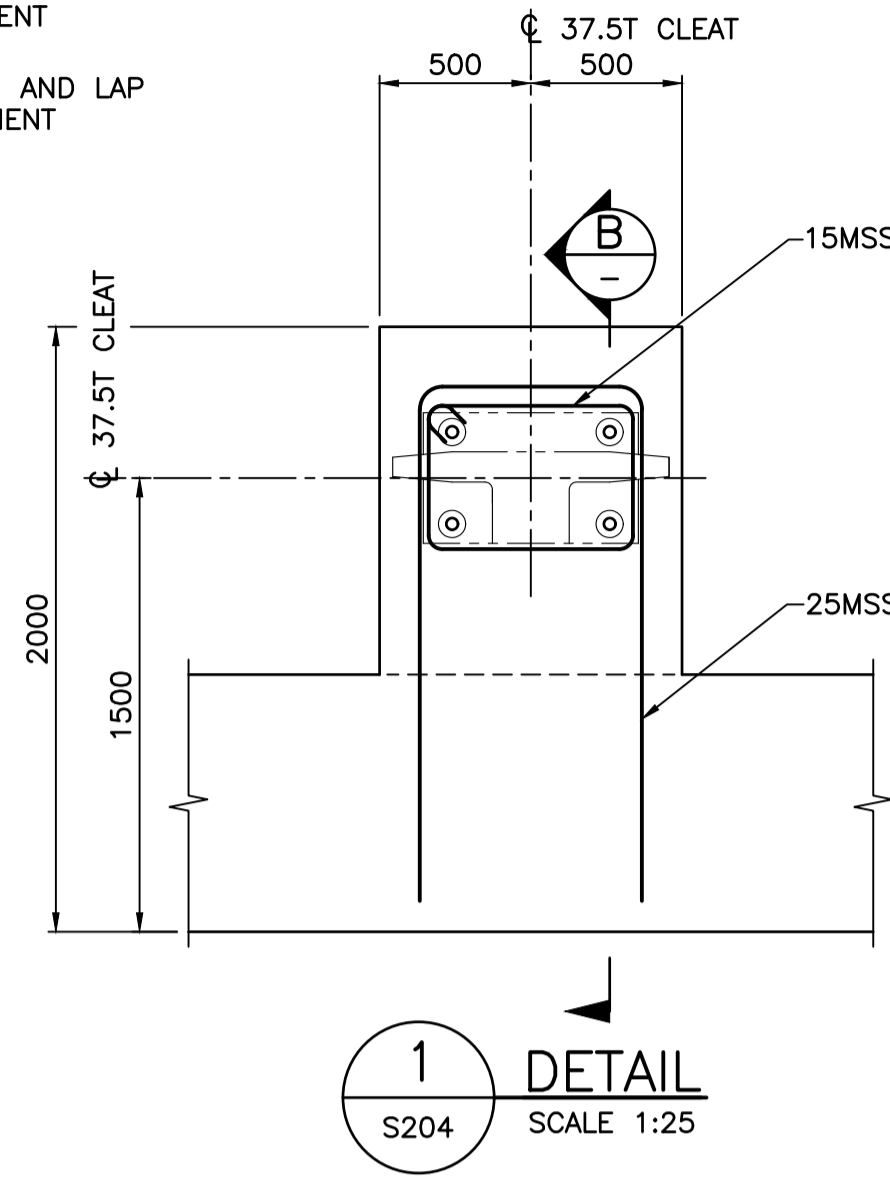
Drawing title/Titre du dessin
**CONCRETE REINFORCEMENT -
 SHEET 3**

Project No./No. du projet	Sheet/Feuille	Revision no./La Révision no.
R.096320.002	S208	C

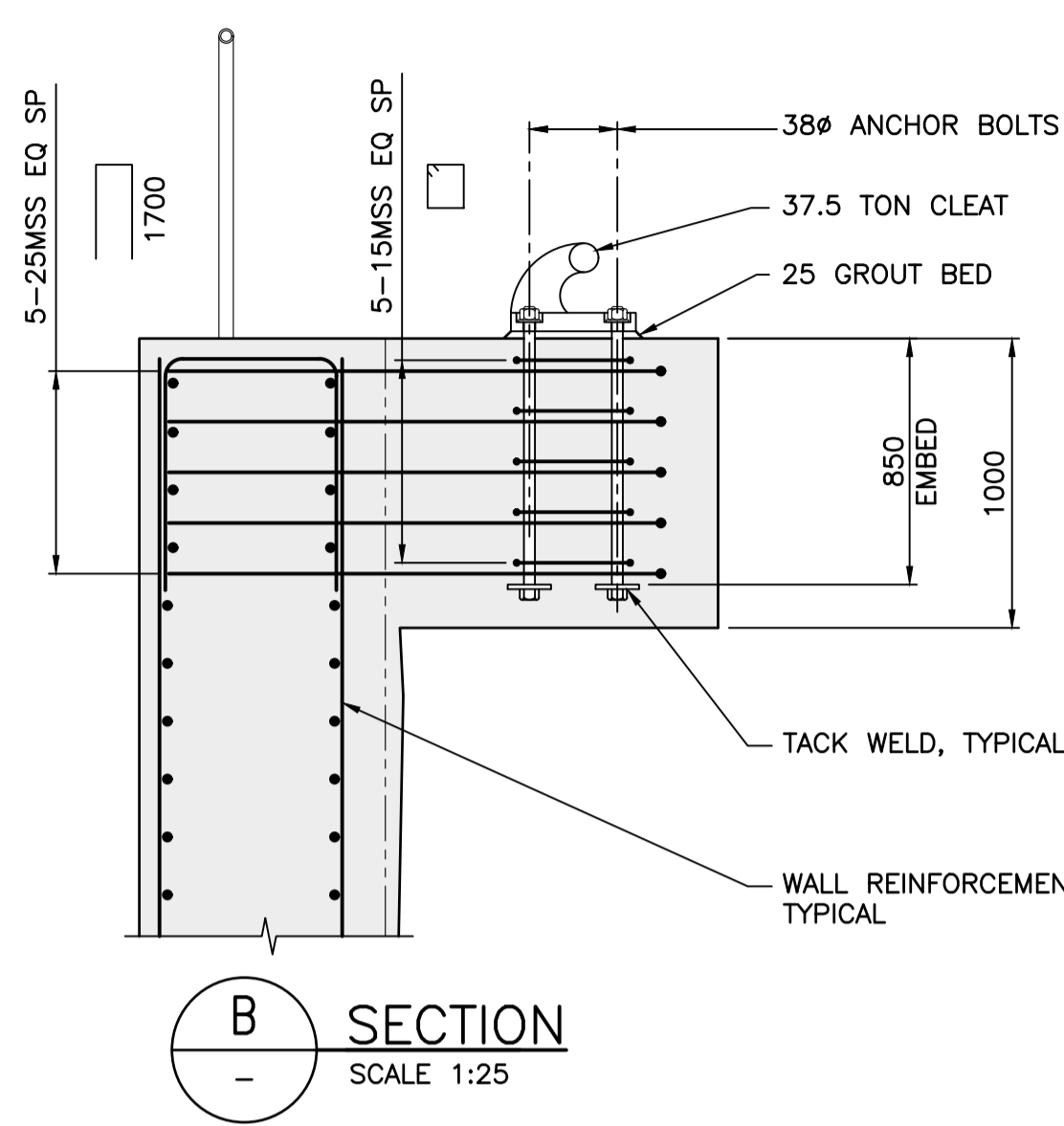
NOTES:
 1. FOR GENERAL NOTES, SEE DWG. S001.



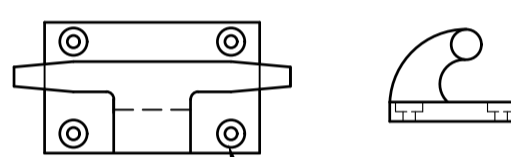
2 DETAIL - TRENCH DRAIN
SCALE 1:10



1 DETAIL
S204 SCALE 1:25



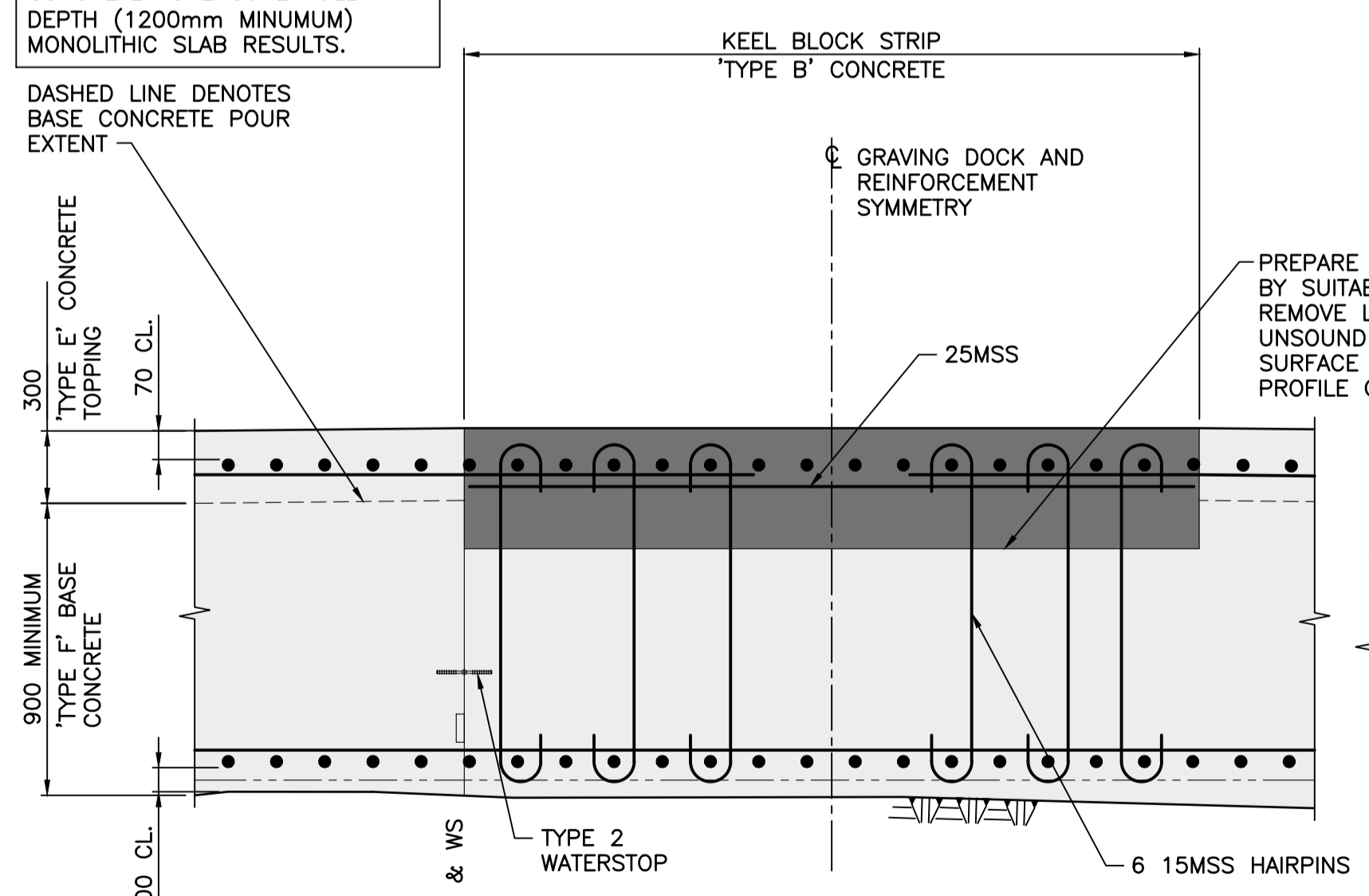
B SECTION
SCALE 1:25



4-41.3 (1 5/8)" HOLES FOR 38.1 (1 1/2)"
ASTM 325 BOLTS. COUNTERBORE 90°x32 DEEP.
NUTS AND BOLT ENDS SHALL NOT PROJECT MORE THAN 20mm ABOVE PLATE

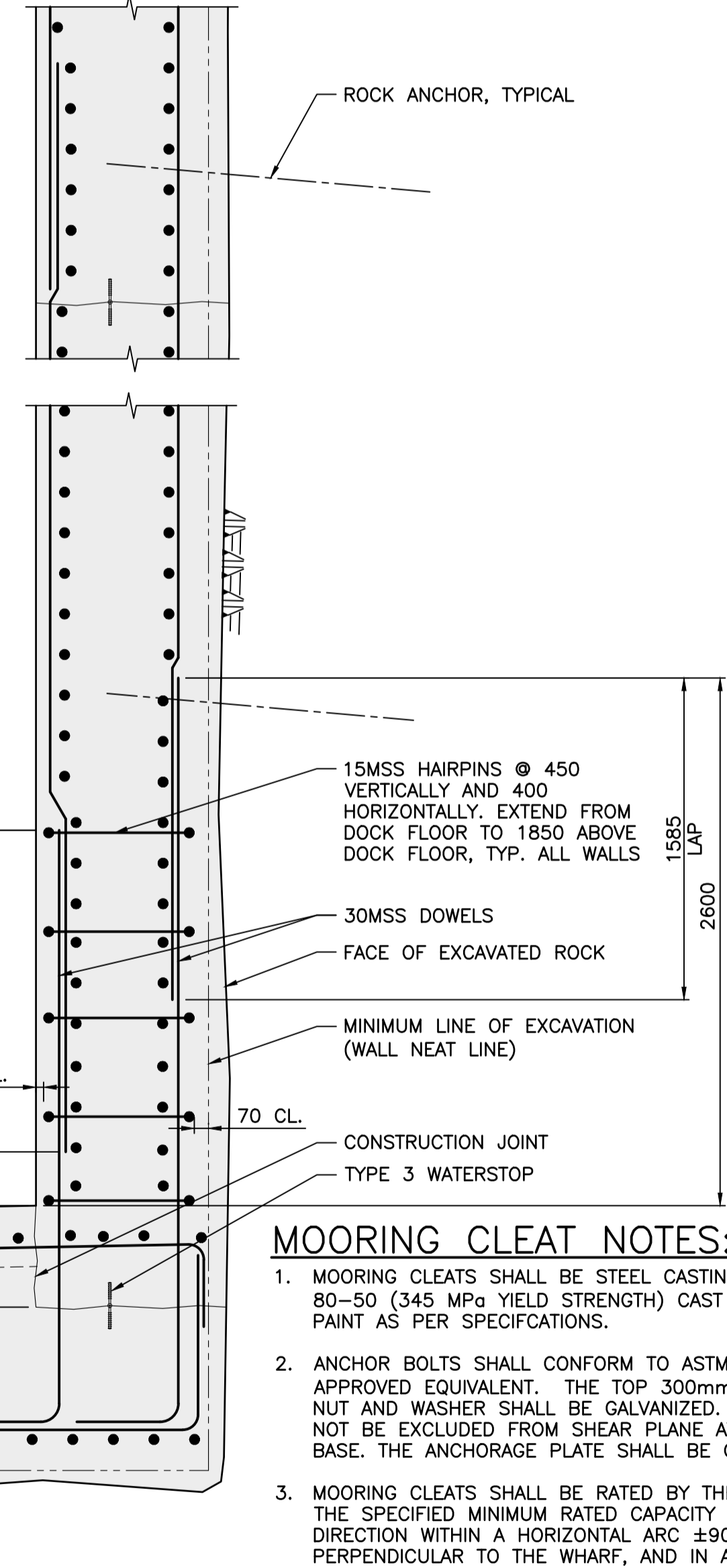
DETAIL - 37.5 TON CLEAT
SCALE 1:25

NOTE: 'TYPE E' TOPPING CONCRETE TO BE PLACED DIRECTLY AGAINST FRESHLY PLACED 'TYPE F' BASE CONCRETE, PRIOR TO GELLING OF BASE CONCRETE TO ENSURE FULL DEPTH (1200mm MINIMUM) MONOLITHIC SLAB RESULTS.



NOTE: CENTRE KEEL BLOCK STRIP SHOWN, ADJACENT KEEL BLOCK STRIP REINFORCEMENT IS SIMILAR

A SECTION
S206 S207 SCALE 1:25



MOORING CLEAT NOTES:

- MOORING CLEATS SHALL BE STEEL CASTINGS TO ASTM A148 GRADE 80-50 (345 MPa YIELD STRENGTH) CAST IN A SINGLE OPERATION. PAINT AS PER SPECIFICATIONS.
- ANCHOR BOLTS SHALL CONFORM TO ASTM A325 TYPE 1 OR APPROVED EQUIVALENT. THE TOP 300mm OF ANCHOR BOLTS C/W NUT AND WASHER SHALL BE GALVANIZED. BOLT THREADS NEED NOT BE EXCLUDED FROM SHEAR PLANE AT UNDERSIDE OF CLEAT BASE. THE ANCHORAGE PLATE SHALL BE GRADE 350W.
- MOORING CLEATS SHALL BE RATED BY THE SUPPLIER TO CARRY THE SPECIFIED MINIMUM RATED CAPACITY IN THE SEAWARD DIRECTION WITHIN A HORIZONTAL ARC ±90 DEGREES FROM A LINE PERPENDICULAR TO THE WHARF, AND IN A VERTICAL ARC FROM LEVEL TO +30 DEGREES FROM LEVEL.
- MOORING CLEATS SHALL BE EMBOSSED WITH SAFE LOAD DESIGNATIONS "37.5 TON", IN A PROMINENT LOCATION VISIBLE FROM WHARF DECK.
- GROUT VENT/INSPECTION HOLES SHALL BE TO MOORING CLEAT MANUFACTURER'S REQUIREMENTS AND TO ENGINEER'S APPROVAL. GROUTING PROCEDURE SHALL ENSURE FULL BEARING UNDER BASEPLATE.
- GROUT SHALL BE SHRINKAGE COMPENSATING, NON-METALLIC, WITH 28 DAY COMPRESSIVE STRENGTH OF 35 MPa.
- FILL COUNTERBORE HOLES WITH GROUT AFTER INSTALLATION.

NOTES:

- FOR GENERAL NOTES, SEE DWG. S001.

Revision/	Description/Description	Date/Date
C	TENDER	2021.01.07
B	99% REVIEW	2020.07.10
A	75% REVIEW	2020.05.20

Client/client
PUBLIC WORKS AND GOVERNMENT SERVICES CANADA

Project title/Titre du projet
ESQUIMALT GRAVING DOCK 825 ADMIRALS ROAD, VICTORIA, BC

ESQUIMALT GRAVING DOCK EAST END EXTENSION AND SECTION 3 DOCK FLOOR AND WALL REFURBISHMENT

Consultant Signature Only

Designed by/Concept par
KU / MGCS

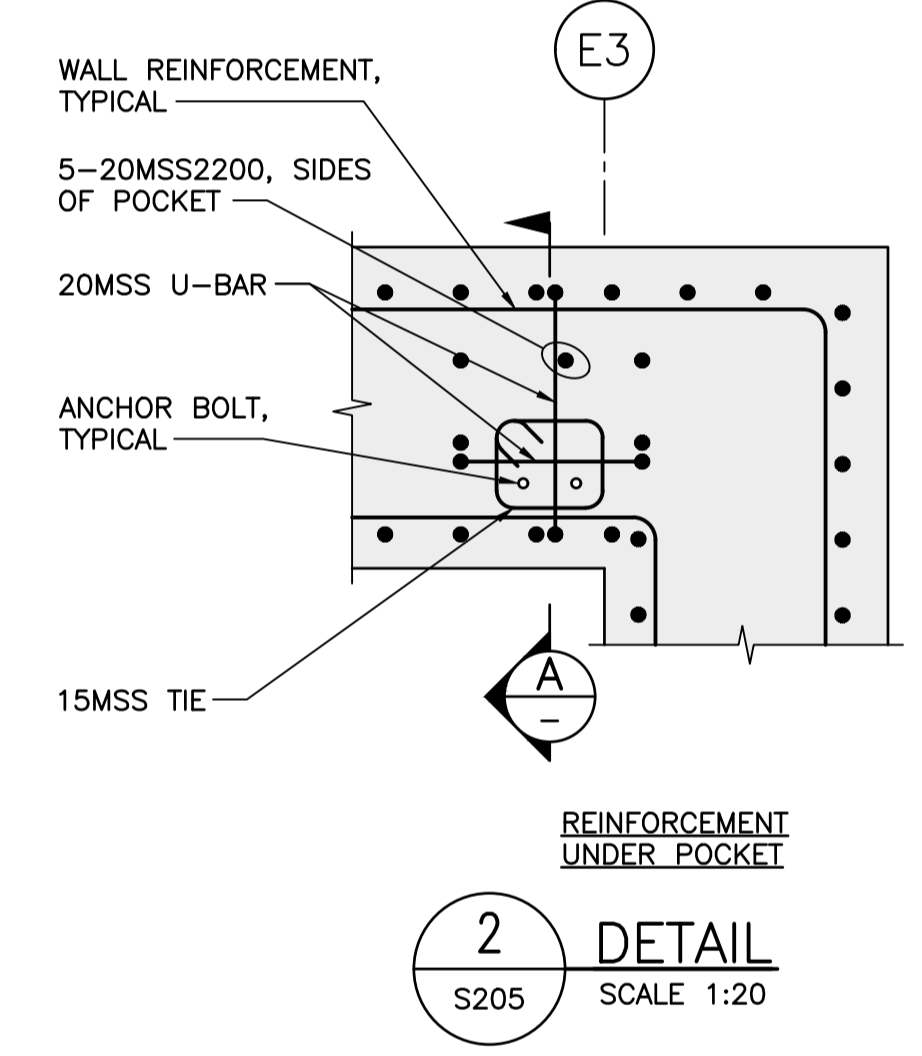
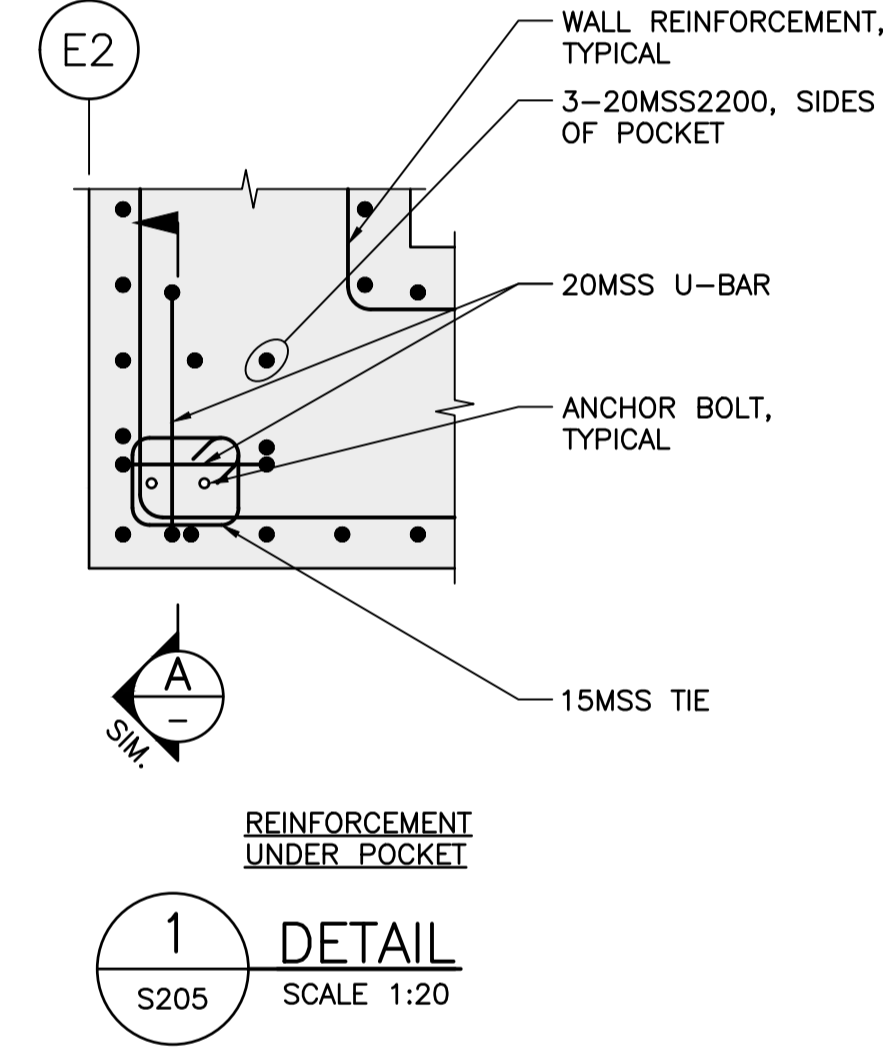
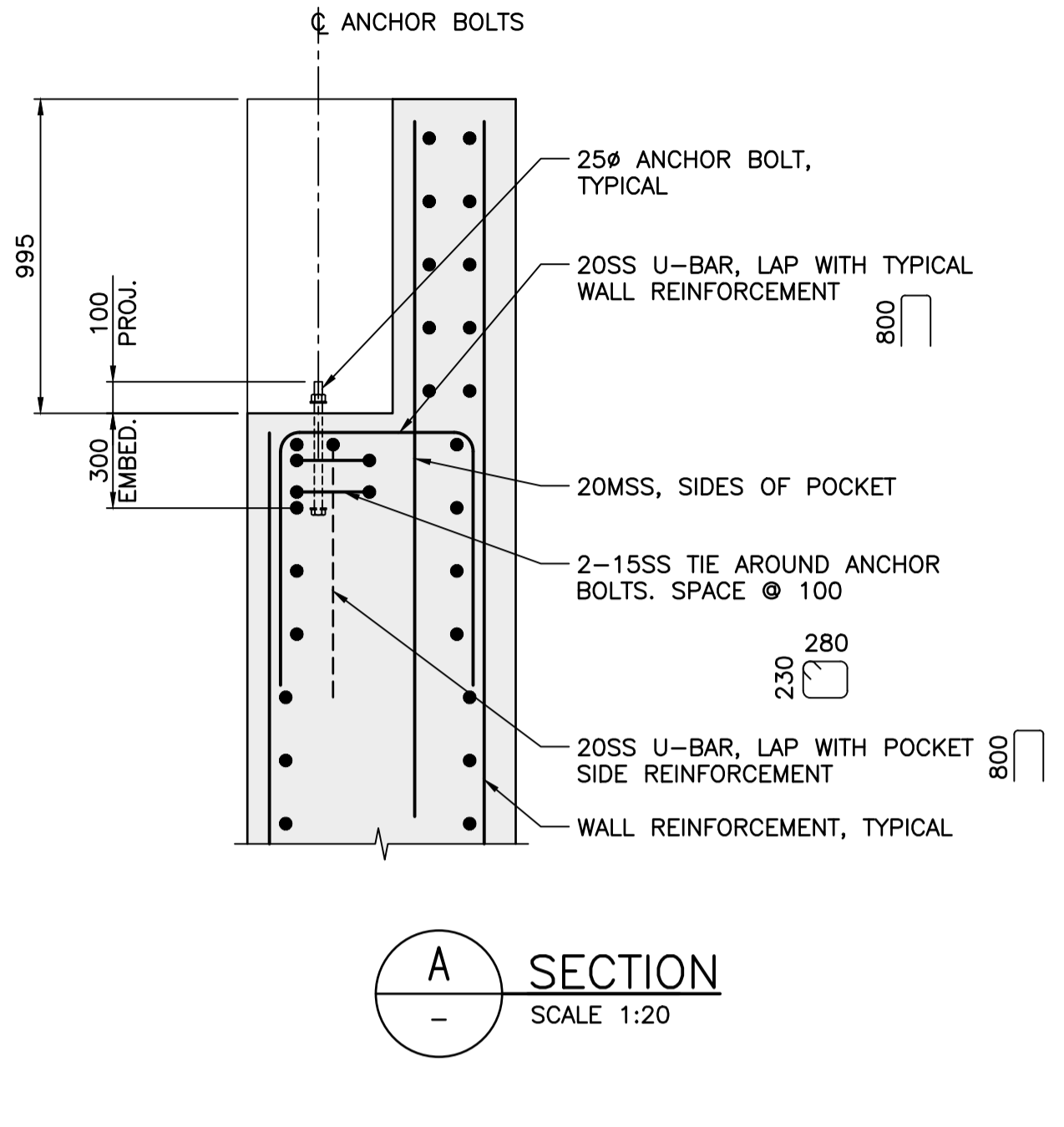
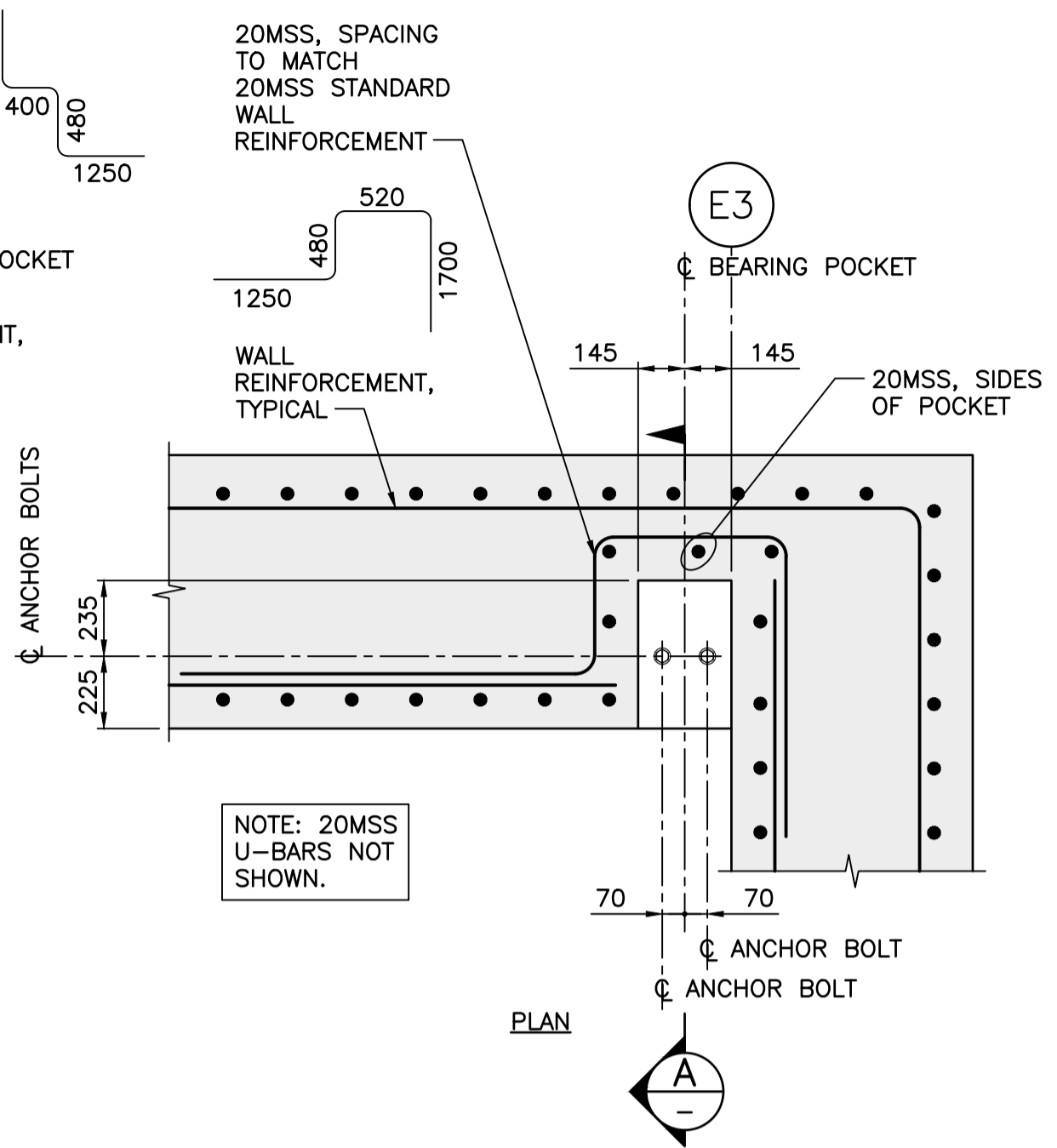
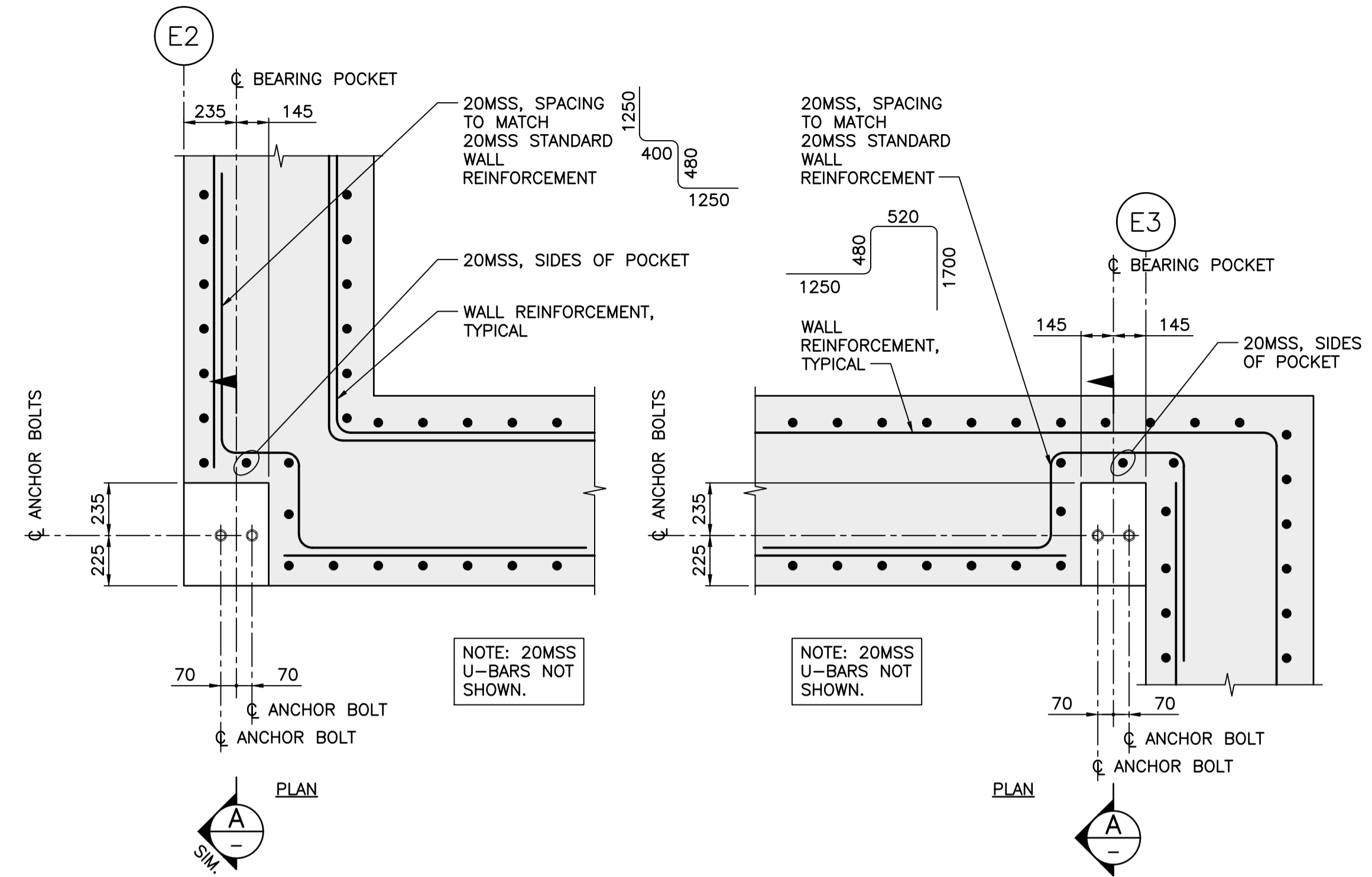
Drawn by/Dessiné par
JJMC

PWGSC Project Manager/Administrateur de Projets TPSCG
EUGENE YEUNG

Regional Manager, Architectural and Engineering Services
Regional Manager, Environmental Services
PREETIPAL PAUL

Drawing title/Titre du dessin
CONCRETE REINFORCEMENT - SHEET 4

Project No./No. du projet R.096320.002	Sheet/Feuille S209	Revision no./Révision no. C
--	------------------------------	---------------------------------------



Revision/	Description/Description	Date/Date
B	TENDER	2021.01.07
A	90% REVIEW	2020.07.10

Client/client
PUBLIC WORKS AND GOVERNMENT SERVICES CANADA

Project title/Titre du projet
**ESQUIMALT GRAVING DOCK
825 ADMIRALS ROAD, VICTORIA, BC**

**ESQUIMALT GRAVING DOCK
EAST END EXTENSION AND
SECTION 3 DOCK FLOOR
AND WALL REFURBISHMENT**

Consultant Signature Only

Designed by/Concept par
KU / MGCS

Drawn by/Dessiné par
JJMC

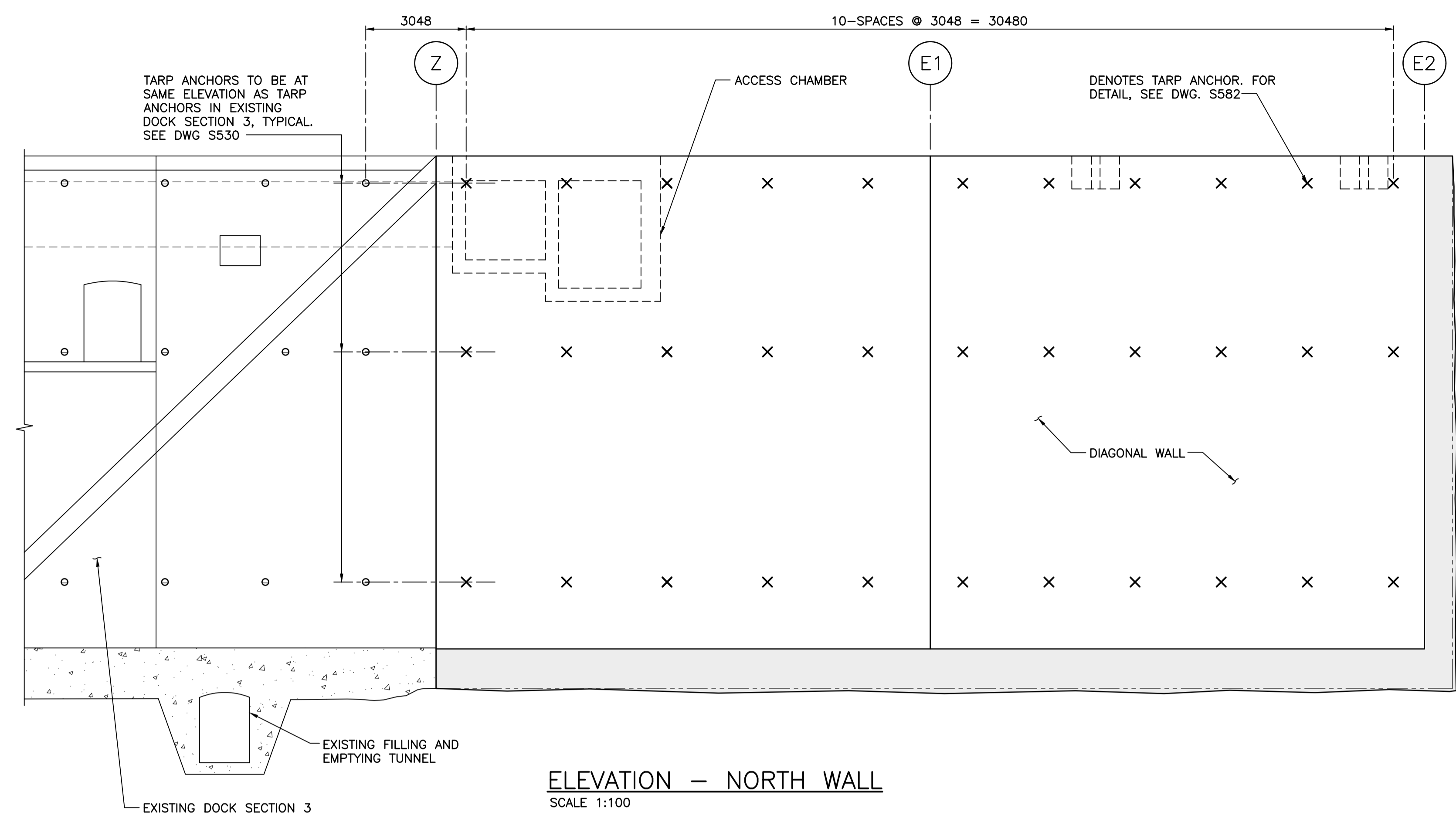
PWGSC Project Manager/Administrateur de Projets TPSGC
EUGENE YEUNG

Regional Manager, Architectural and Engineering Services
Regional Manager, Environmental Services
PREETIPAL FAUL

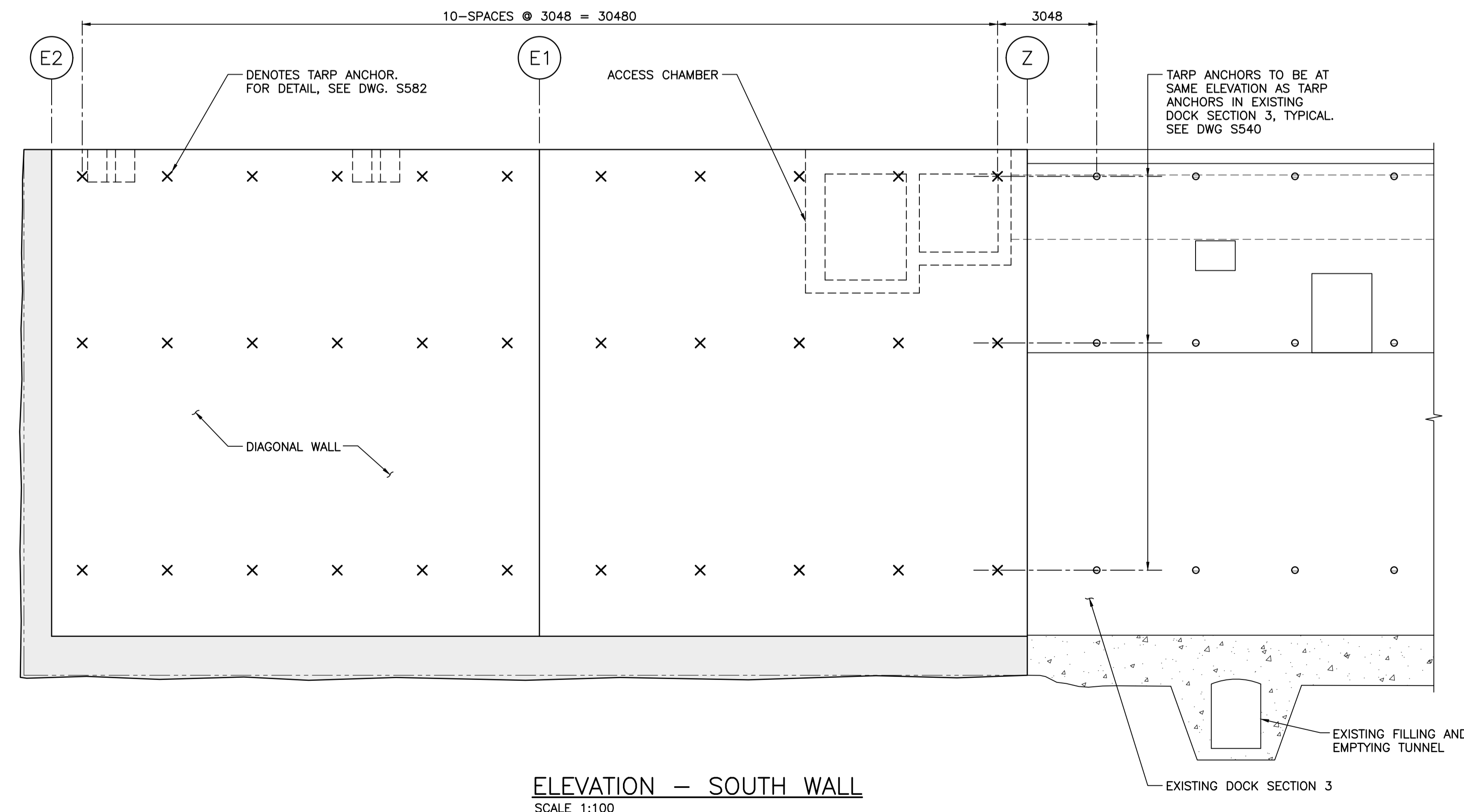
Drawing title/Titre du dessin
**CONCRETE REINFORCEMENT -
SHEET 5**

Project No./No. du projet	Sheet/Feuille	Revision no./La Révision no.
R.096320.002	S210	B

NOTES:
1. FOR GENERAL NOTES SEE DWG. S001.



ELEVATION - NORTH WALL
SCALE 1:100



ELEVATION - SOUTH WALL
SCALE 1:100



Revision/	Description/Description	Date/Date
A	TENDER	2021.01.07

Client/client

PUBLIC WORKS AND GOVERNMENT SERVICES CANADA

Project title/Titre du projet
**ESQUIMALT GRAVING DOCK
825 ADMIRALS ROAD, VICTORIA, BC**

**ESQUIMALT GRAVING DOCK
EAST END EXTENSION AND
SECTION 3 DOCK FLOOR
AND WALL REFURBISHMENT**

Consultant Signature Only

Designed by/Concept par
KU / MGCS

Drawn by/Dessiné par
JJMC

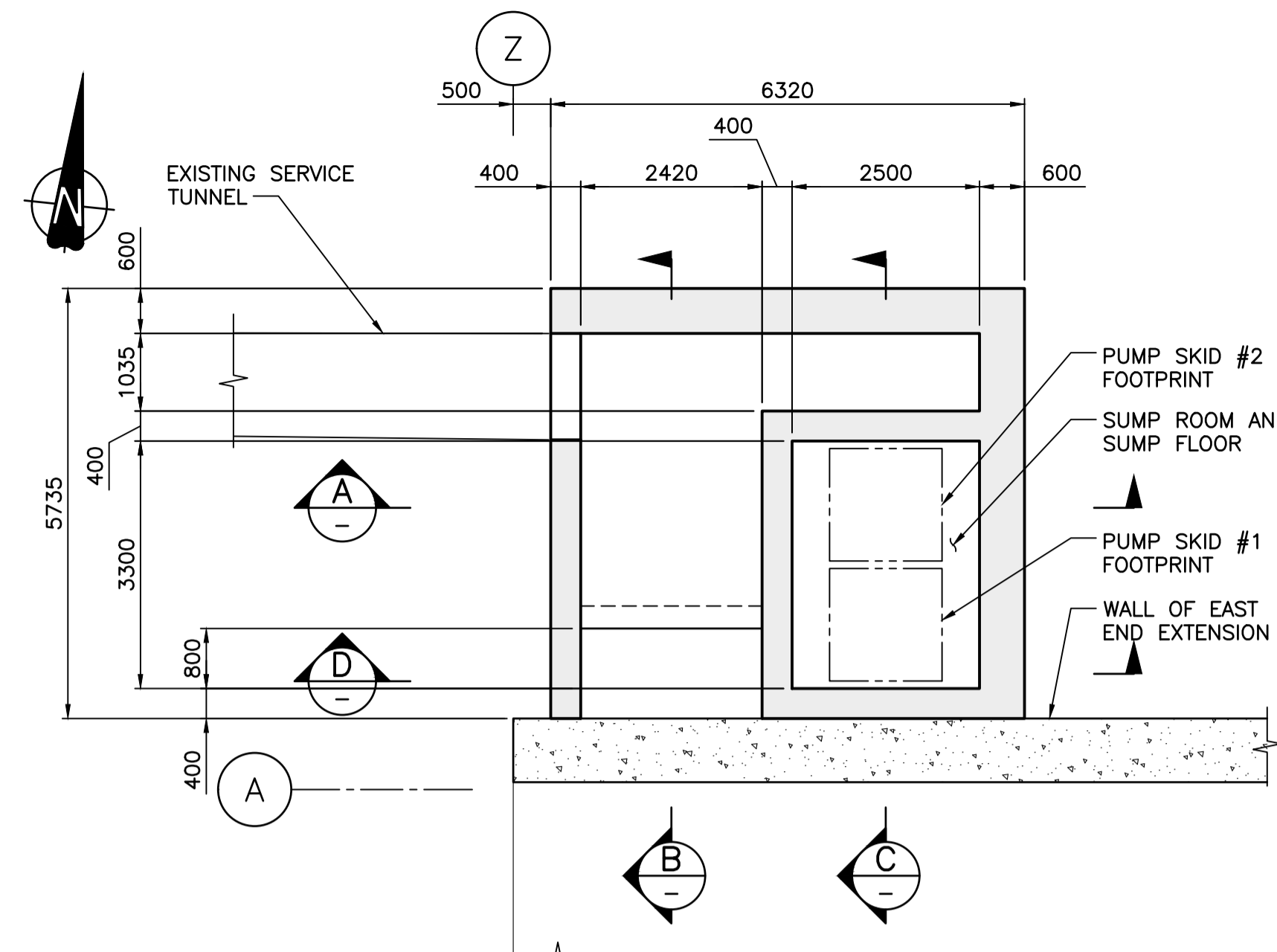
PWGC Project Manager/Administrateur de Projets TPSCG
EUGENE YEUNG

Regional Manager, Architectural and Engineering Services
Regional Manager, Environmental Services
PREETIPAL FAUL

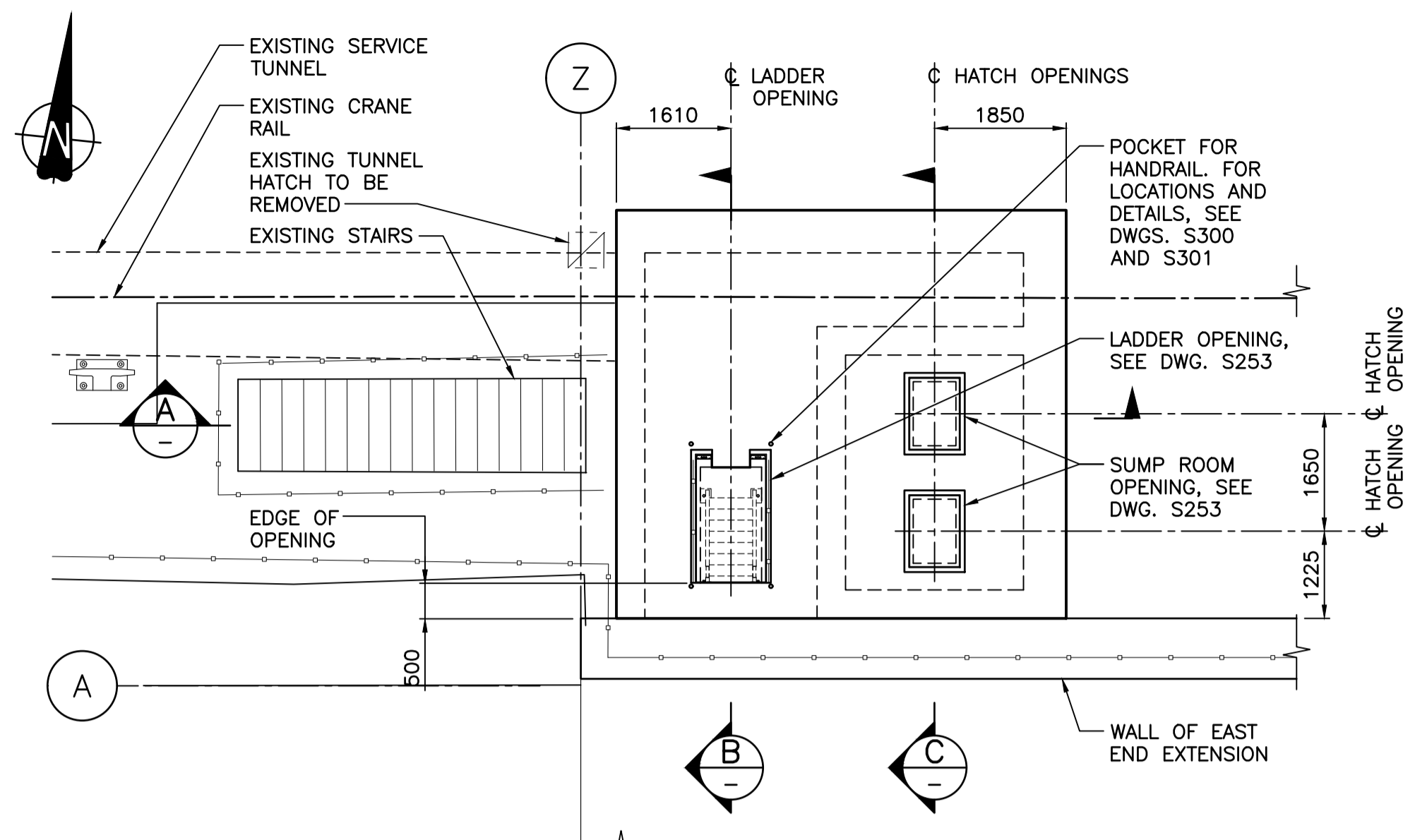
Drawing title/Titre du dessin
WALL ELEVATIONS

Project No./No. du projet	Sheet/Feuille	Revision no./La Révision no.
R.096320.002	S211	A

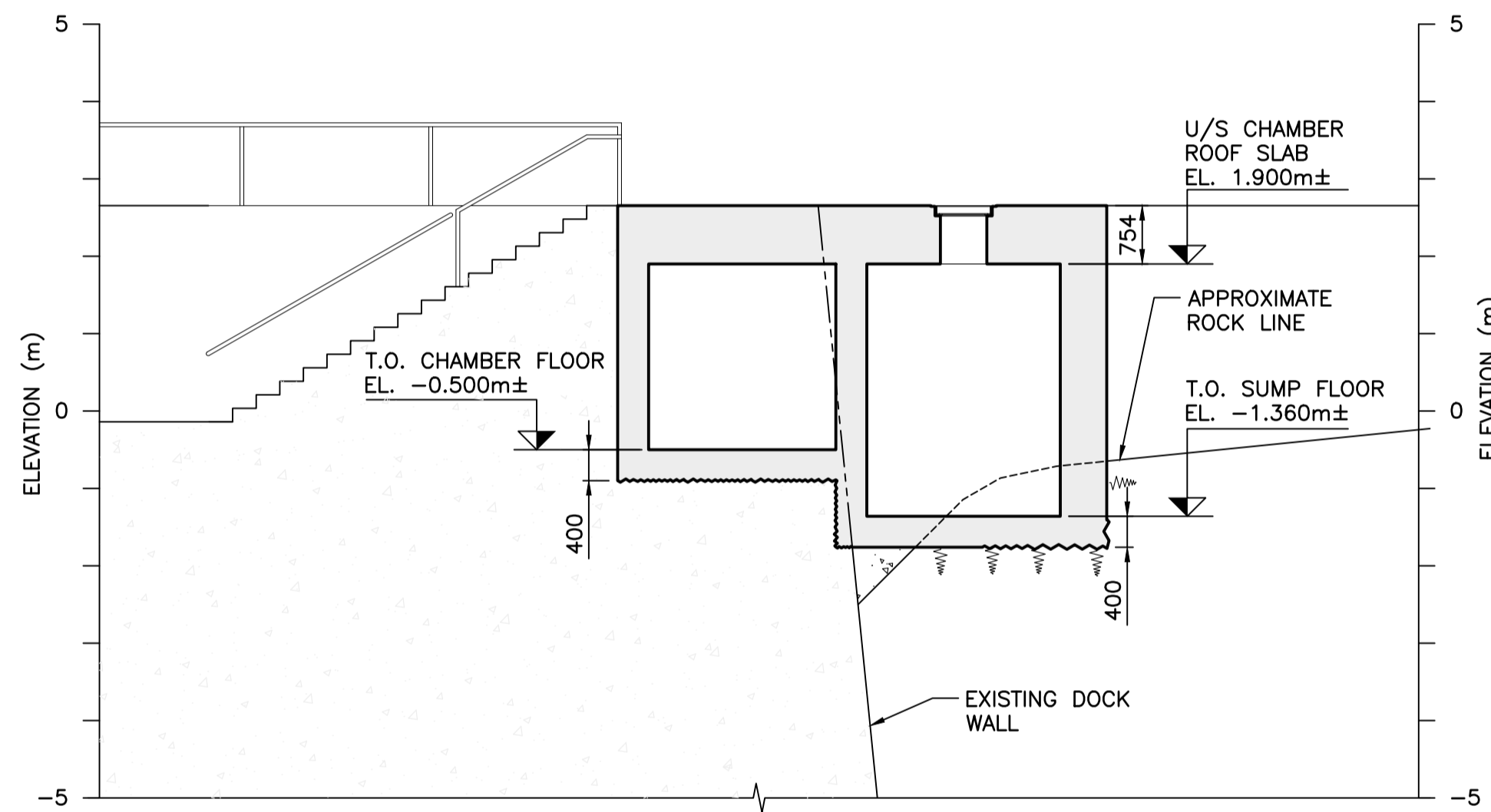
NOTES:
1. FOR GENERAL NOTES, SEE DWG. S001.



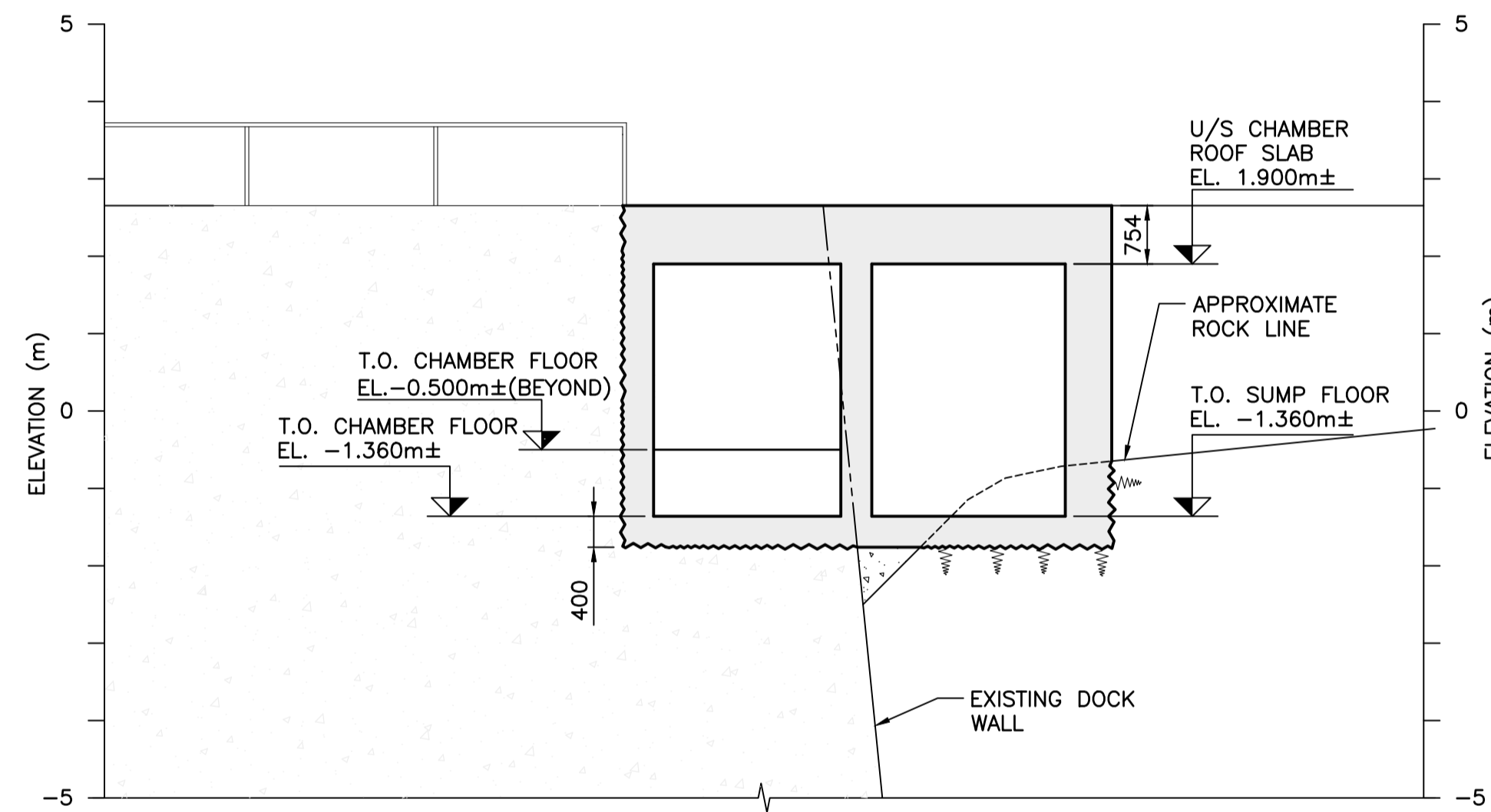
PLAN - WALLS AND FLOOR SLAB
SCALE 1:75



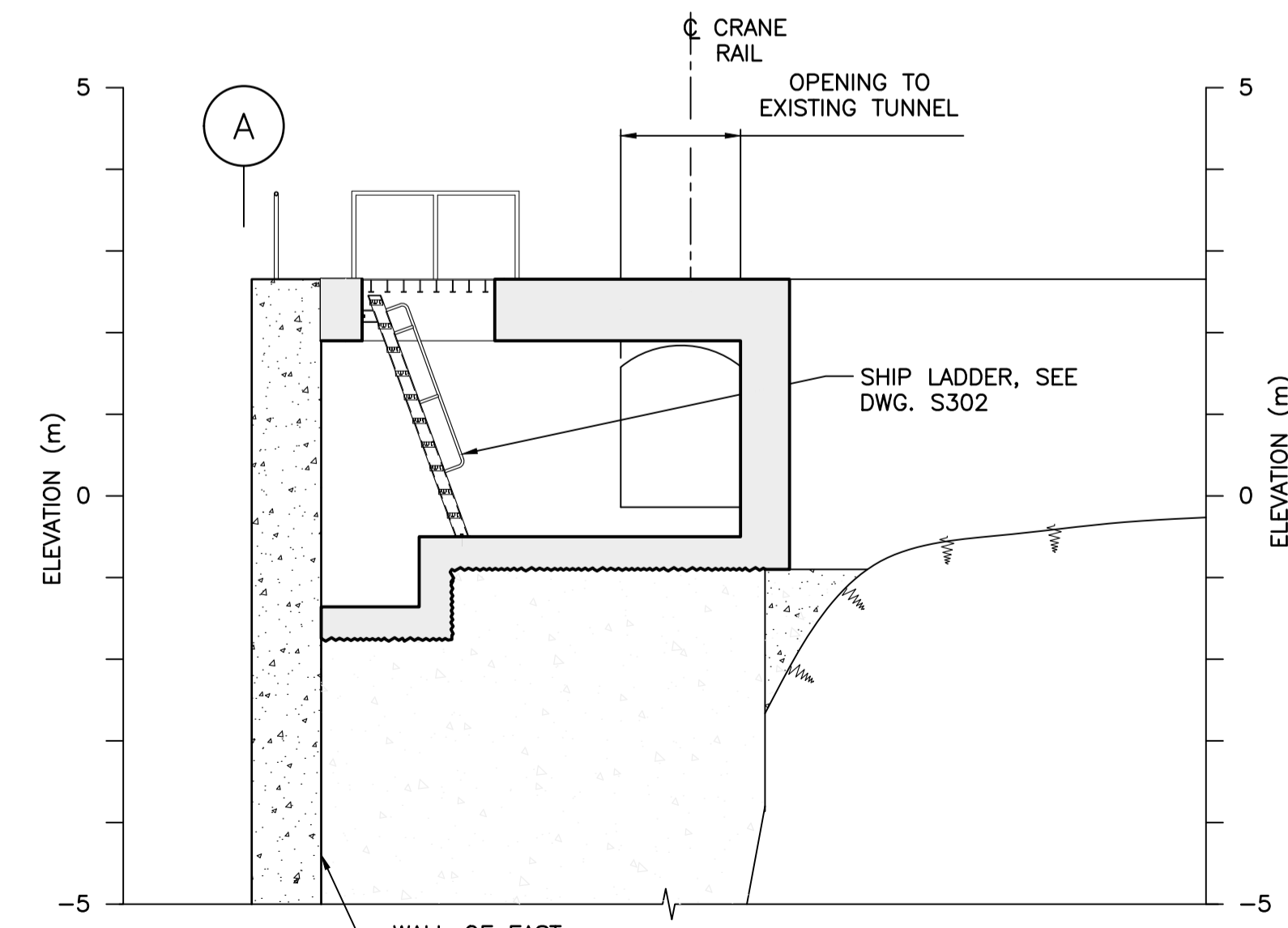
PLAN - ROOF SLAB
SCALE 1:75



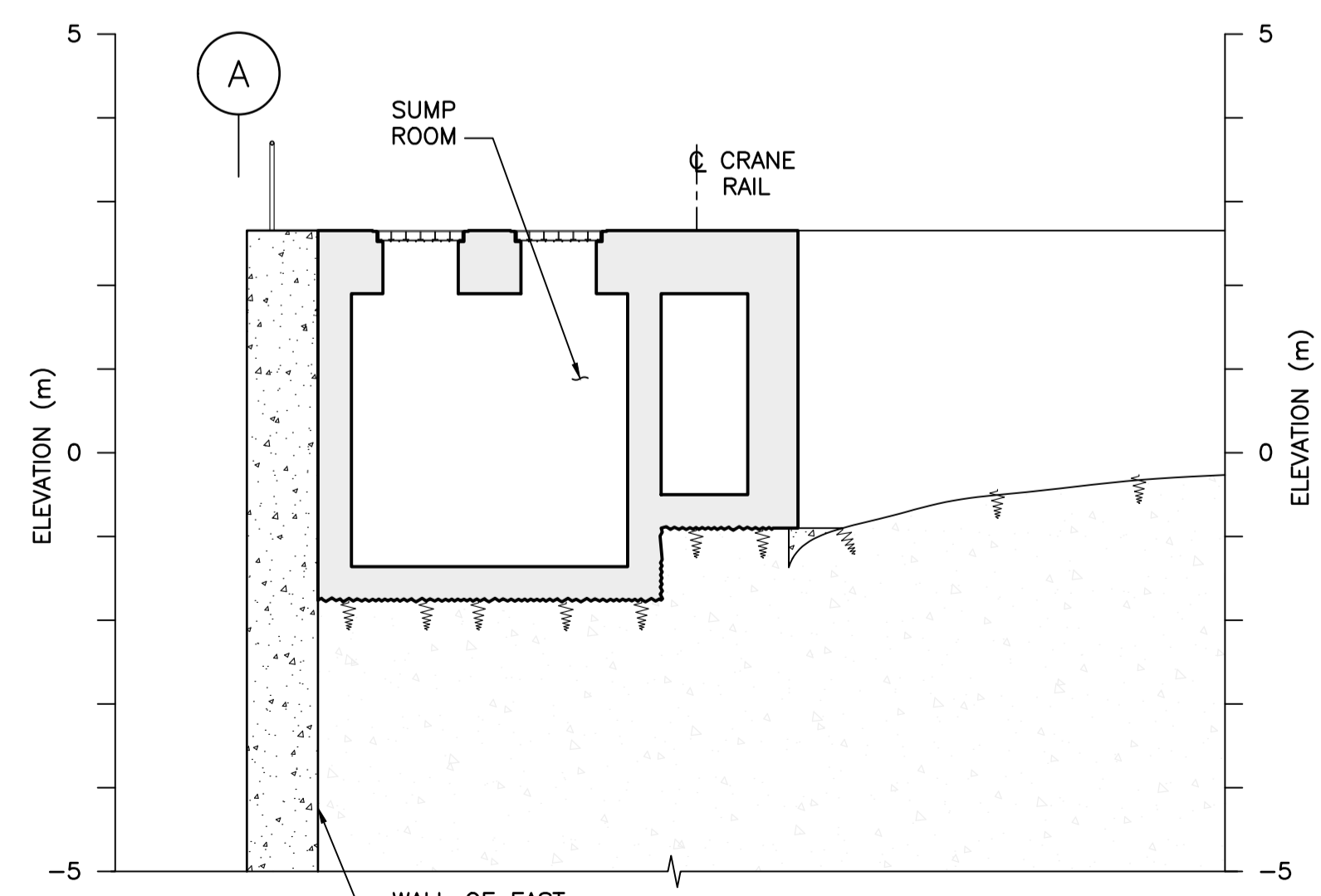
A SECTION
SCALE 1:75



D SECTION
SCALE 1:75



B SECTION
SCALE 1:75



C SECTION
SCALE 1:75

NOTES:
1. FOR GENERAL NOTES, SEE DWG. S001.



Revision/	Description/Description	Date/Date
B	TENDER	2021.01.07
A	90% REVIEW	2020.07.10

Client/client: **PUBLIC WORKS AND GOVERNMENT SERVICES CANADA**

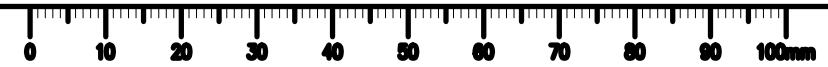
Project title/Titre du projet: **ESQUIMALT GRAVING DOCK 825 ADMIRALS ROAD, VICTORIA, BC**

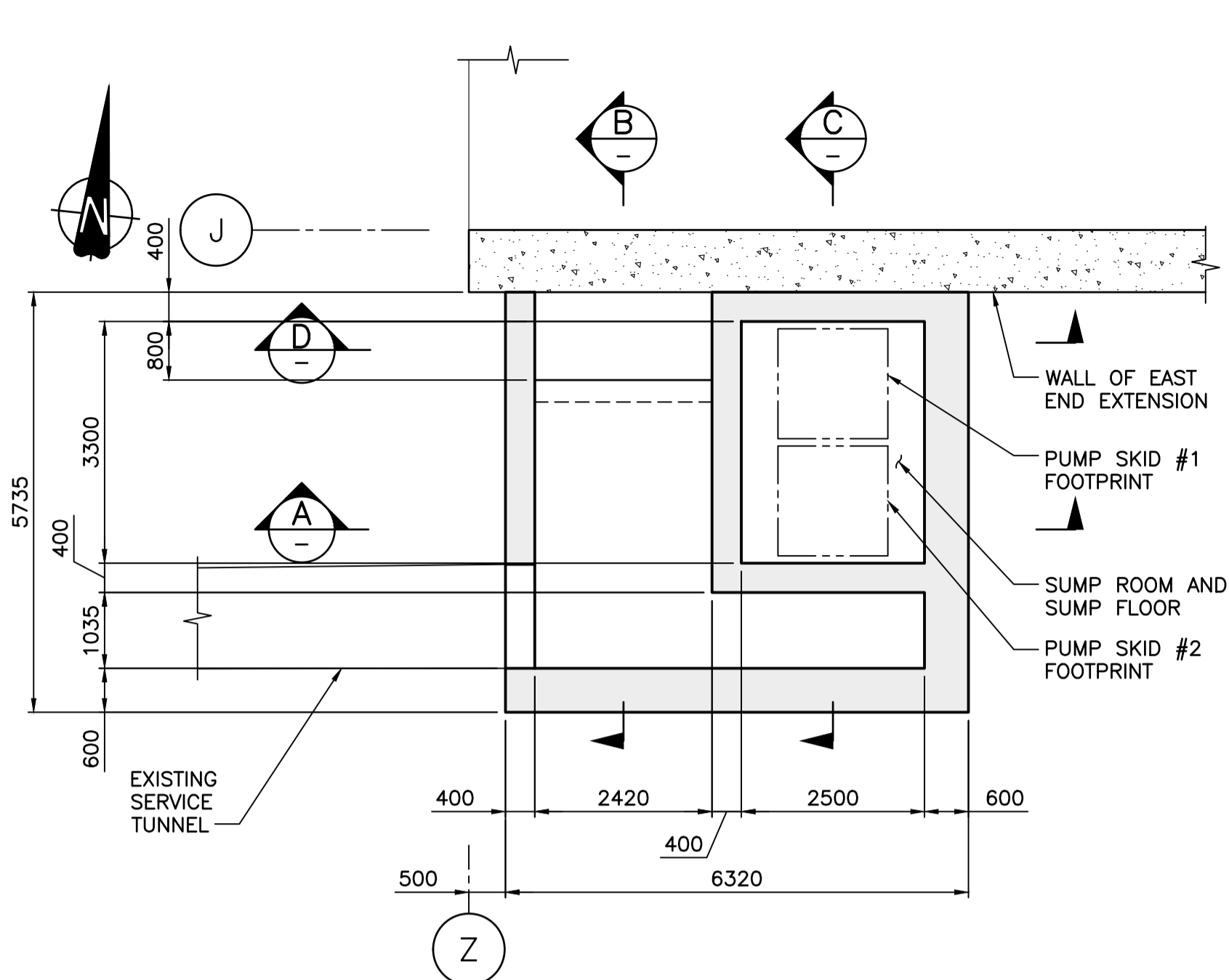
ESQUIMALT GRAVING DOCK EAST END EXTENSION AND SECTION 3 DOCK FLOOR AND WALL REFURBISHMENT

Consultant Signature Only
Designed by/Concept par: KU / MGCS
Drawn by/Dessiné par: JJMC
PWGSC Project Manager/Administrateur de Projets TPSCG: EUGENE YEUNG
Regional Manager, Architectural and Engineering Services / Regional Manager, Environmental Services: PREETIPAL PAUL

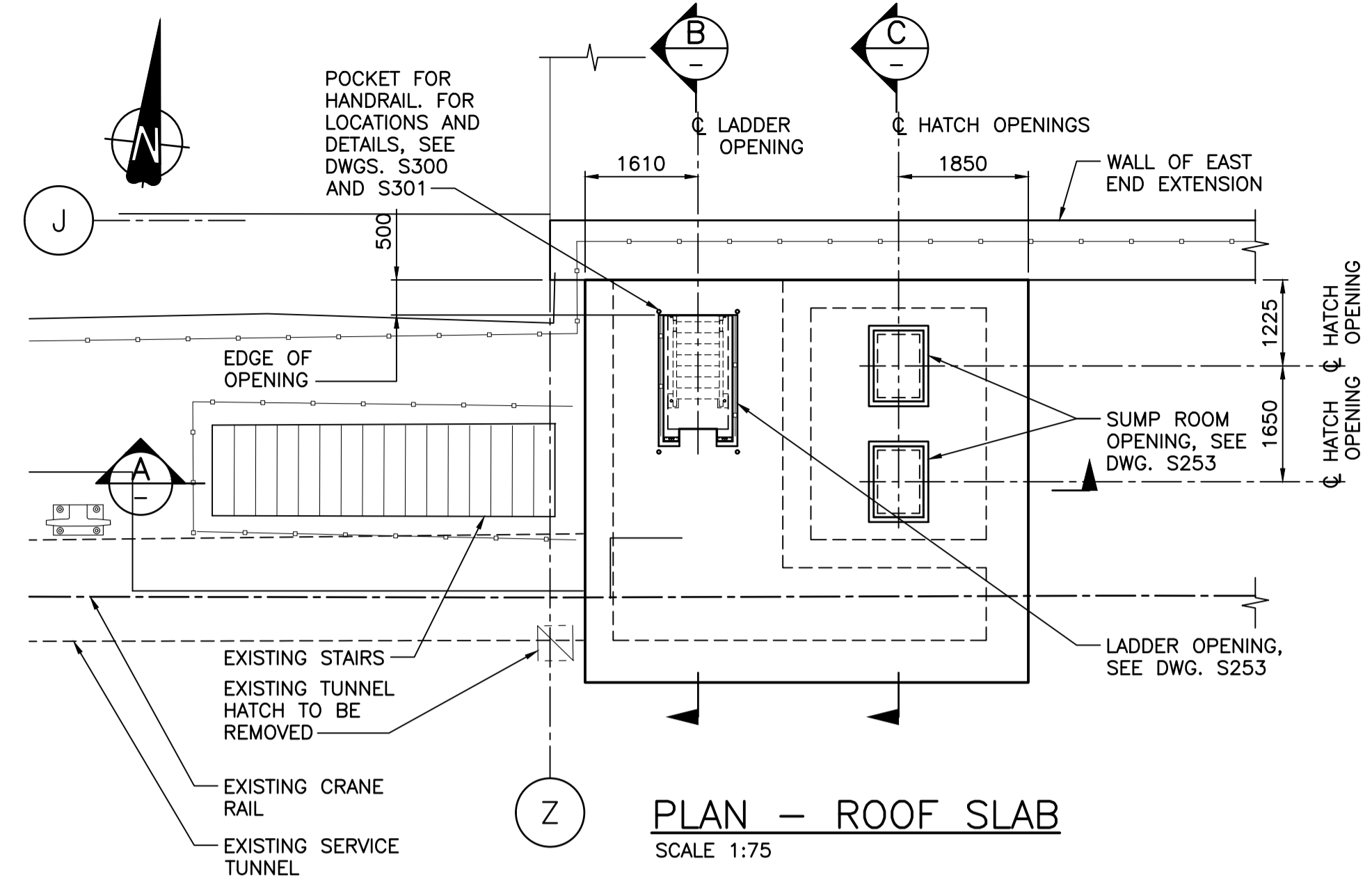
Drawing title/Titre du dessin: **NORTH ACCESS CHAMBER - CONCRETE OUTLINE**

Project No./No. du projet: R.096320.002	Sheet/Fauille: S250	Revision no./La Révision no.: B
--	----------------------------	--

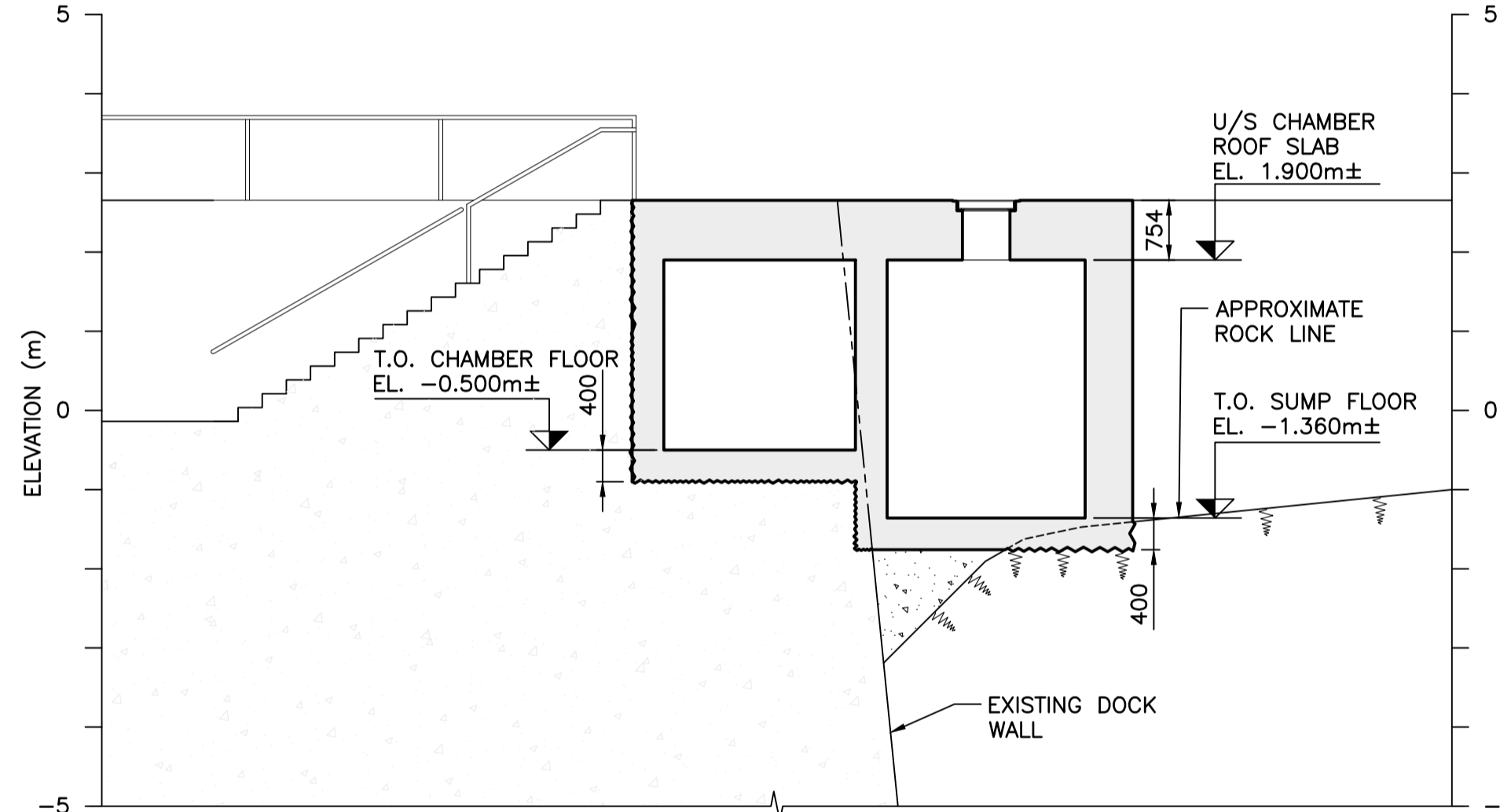




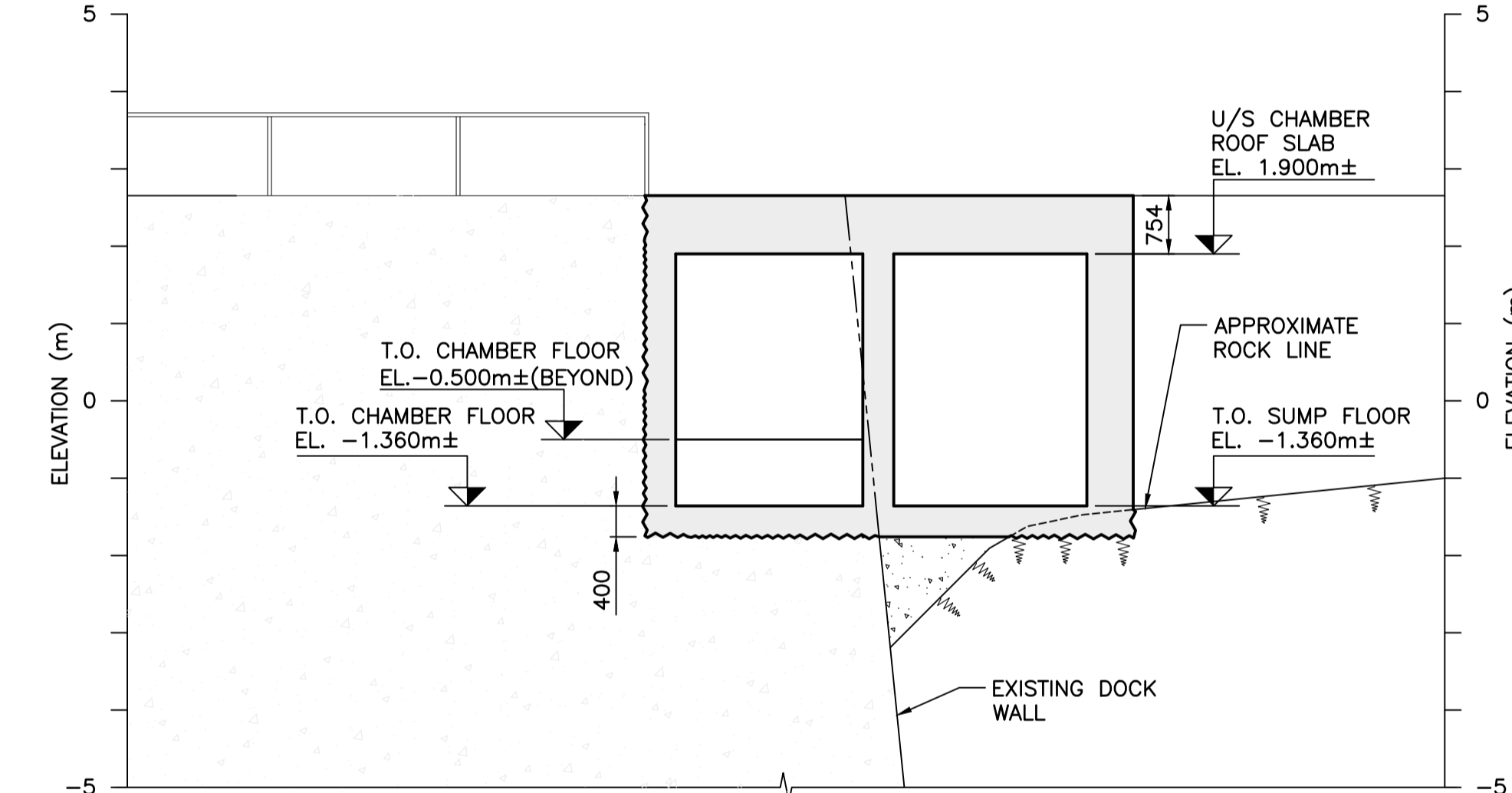
PLAN - WALLS AND FLOOR SLAB
SCALE 1:75



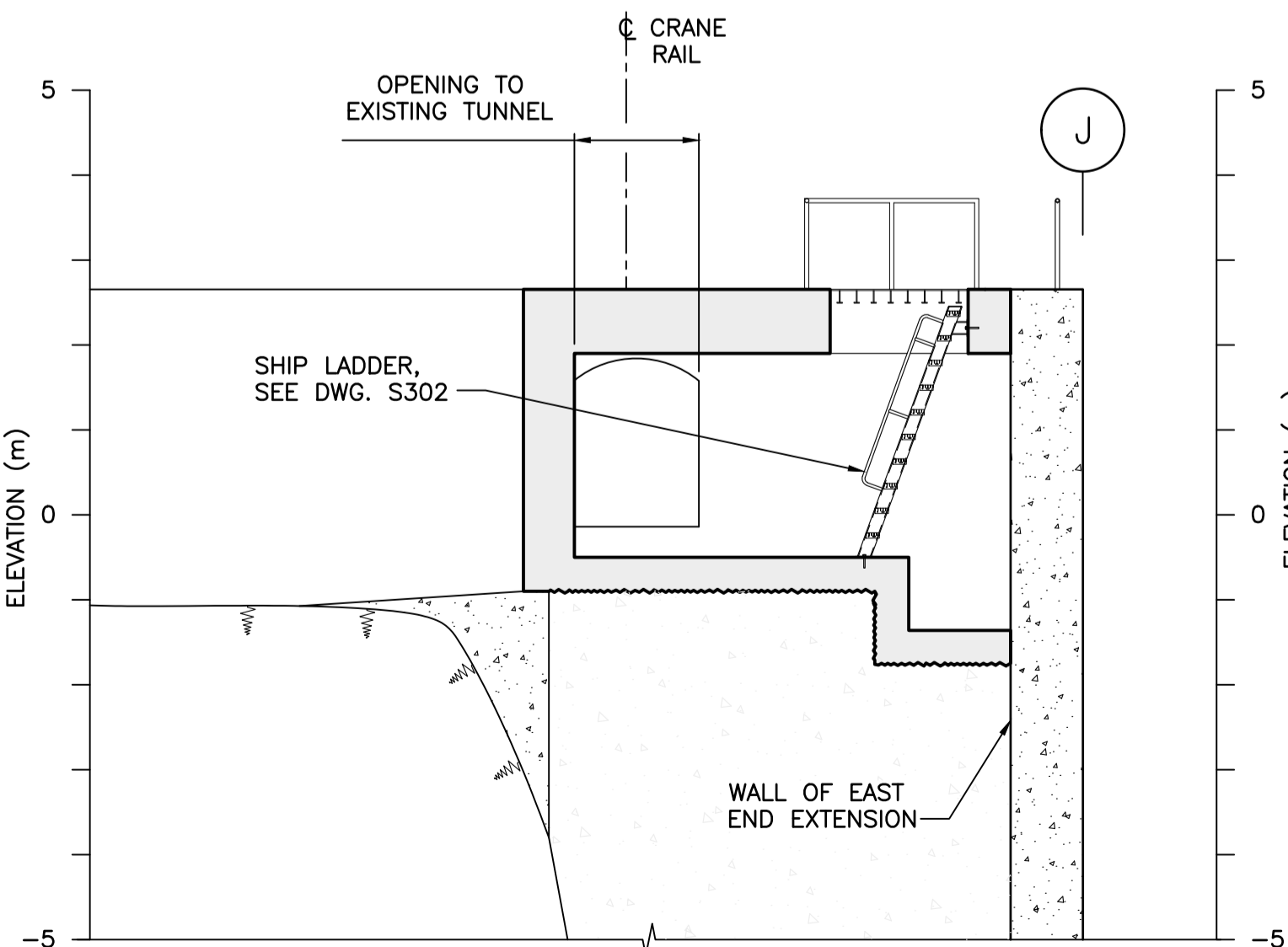
PLAN - ROOF SLAB
SCALE 1:75



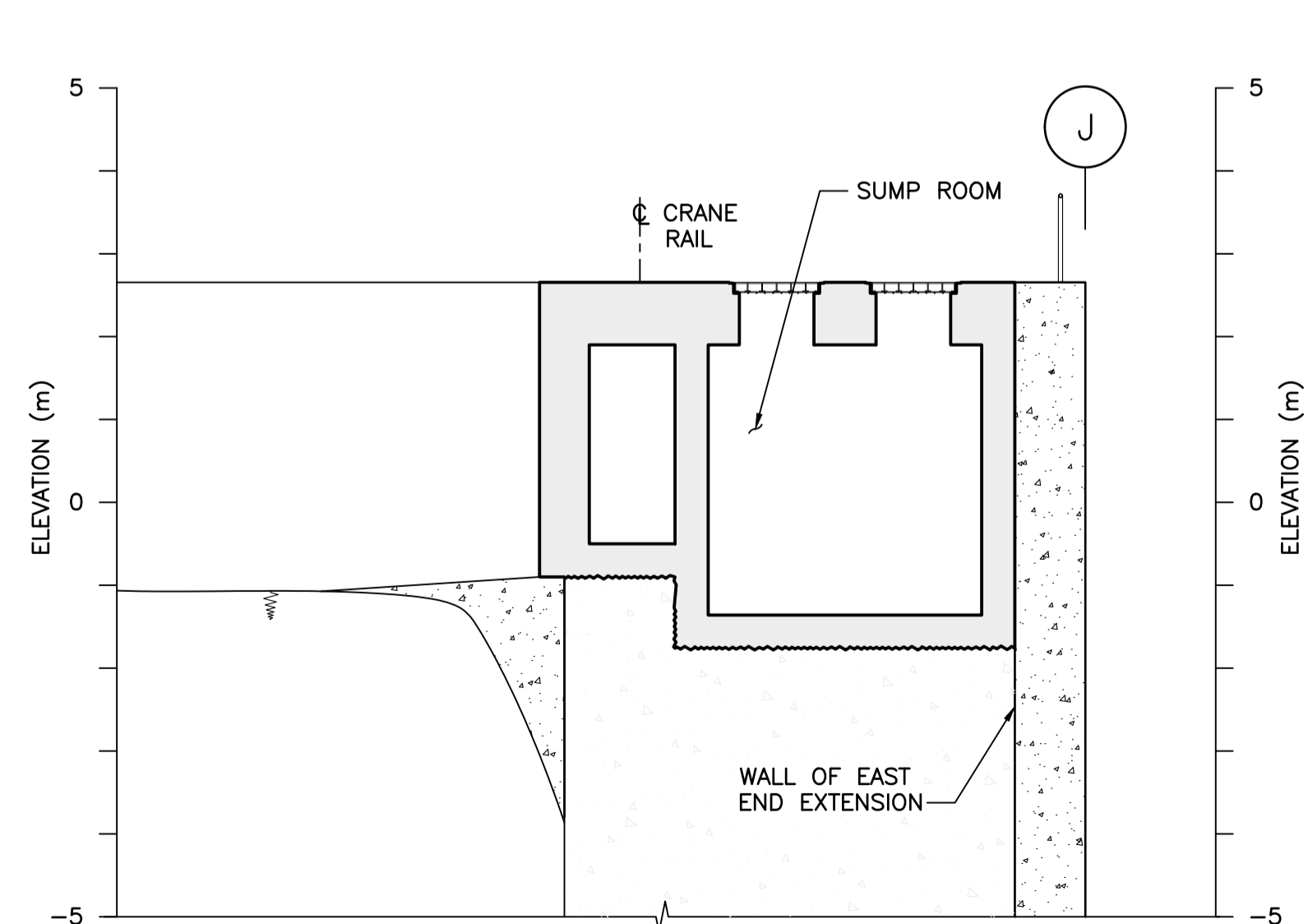
A SECTION
SCALE 1:75



D SECTION
SCALE 1:75



B SECTION
SCALE 1:75



C SECTION
SCALE 1:75

NOTES:
1. FOR GENERAL NOTES, SEE DWG. S001.



Revision/	Description/Description	Date/Date
B	TENDER	2021.01.07
A	90% REVIEW	2020.07.10

Client/client
PUBLIC WORKS AND GOVERNMENT SERVICES CANADA

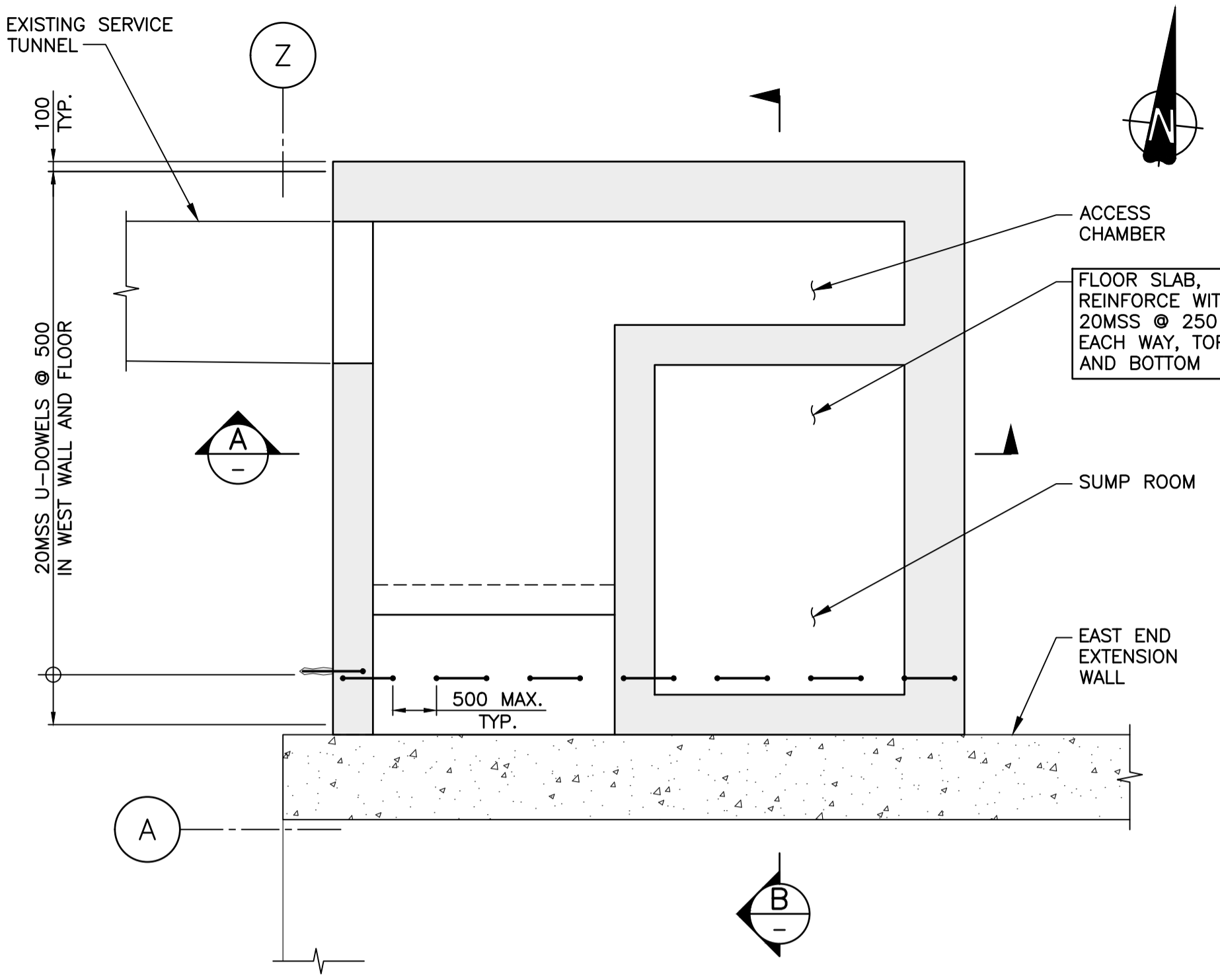
Project title/Titre du projet
**ESQUIMALT GRAVING DOCK
825 ADMIRALS ROAD, VICTORIA, BC**

**ESQUIMALT GRAVING DOCK
EAST END EXTENSION AND
SECTION 3 DOCK FLOOR
AND WALL REFURBISHMENT**

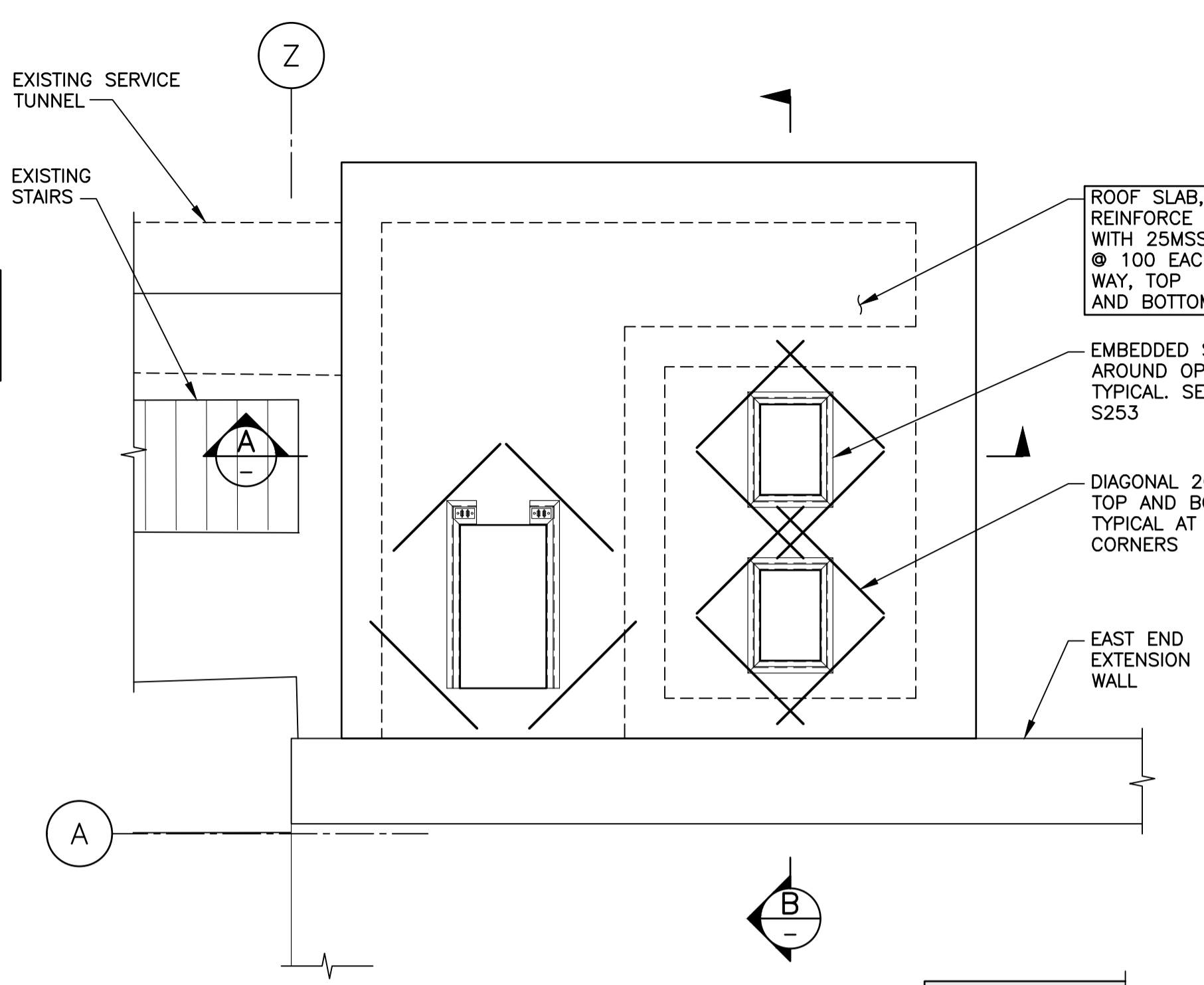
Consultant Signature Only
Designed by/Concept par
KU / MGCS
Drawn by/Dessiné par
JJMC
PWGSC Project Manager/Administrateur de Projets TPSCG
EUGENE YEUNG
Regional Manager, Architectural and Engineering Services
Regional Manager, Environmental Services
PREETIPAL PAUL

Drawing title/Titre du dessin
**SOUTH ACCESS CHAMBER -
CONCRETE OUTLINE**

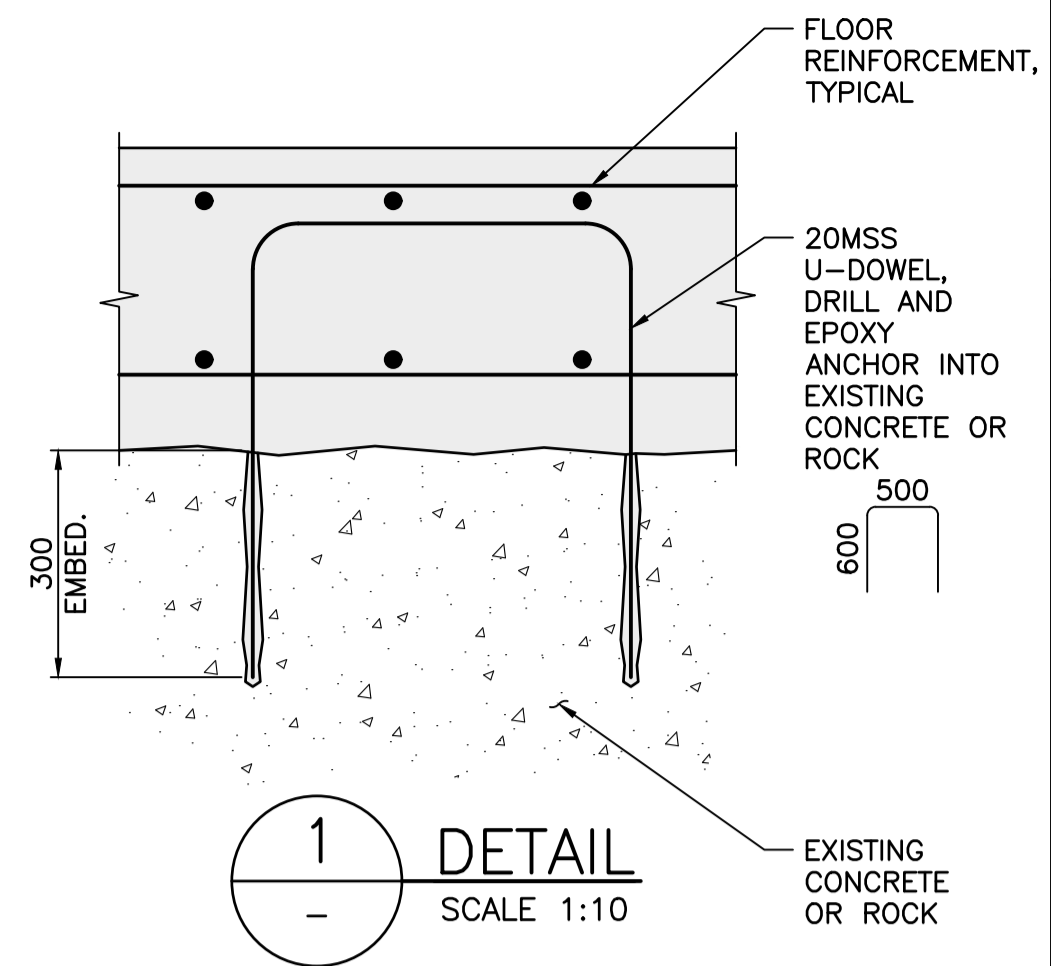
Project No./No. du projet	Sheet/Feuille	Revision no./La Révision no.
R.096320.002	S251	B



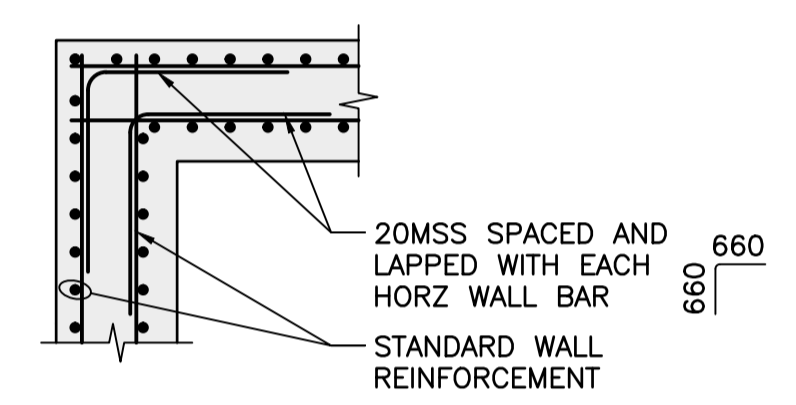
PLAN - WALLS AND FLOOR SLAB
SCALE 1:50



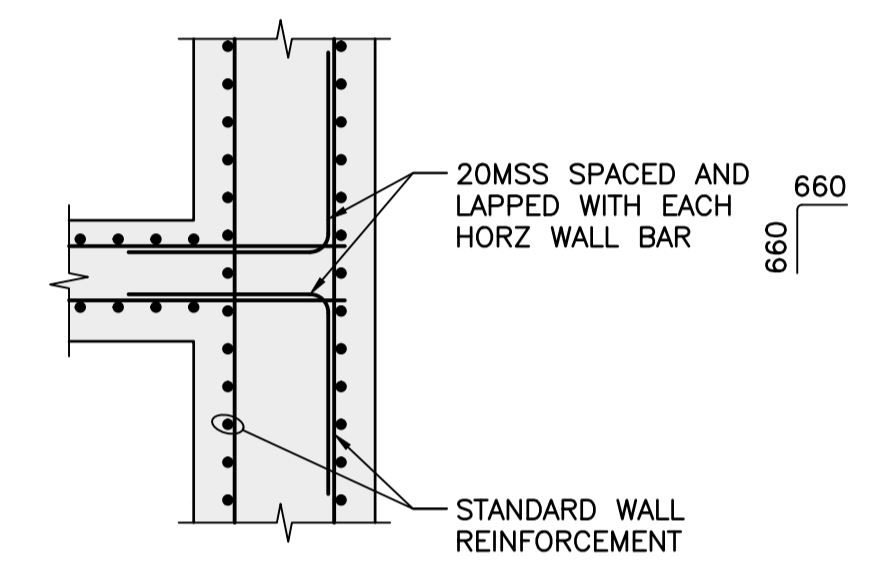
PLAN - ROOF SLAB
SCALE 1:50



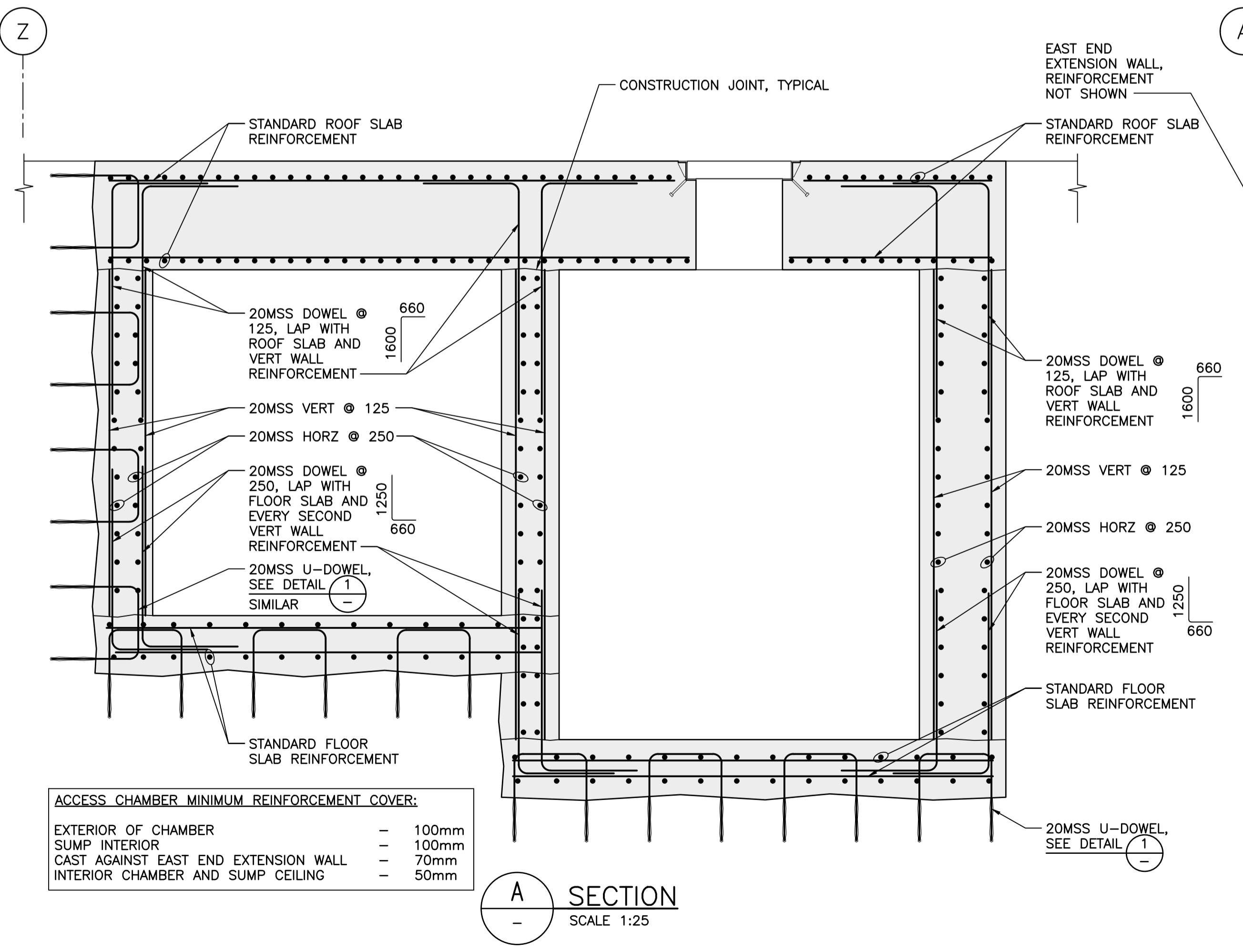
1 DETAIL
SCALE 1:10



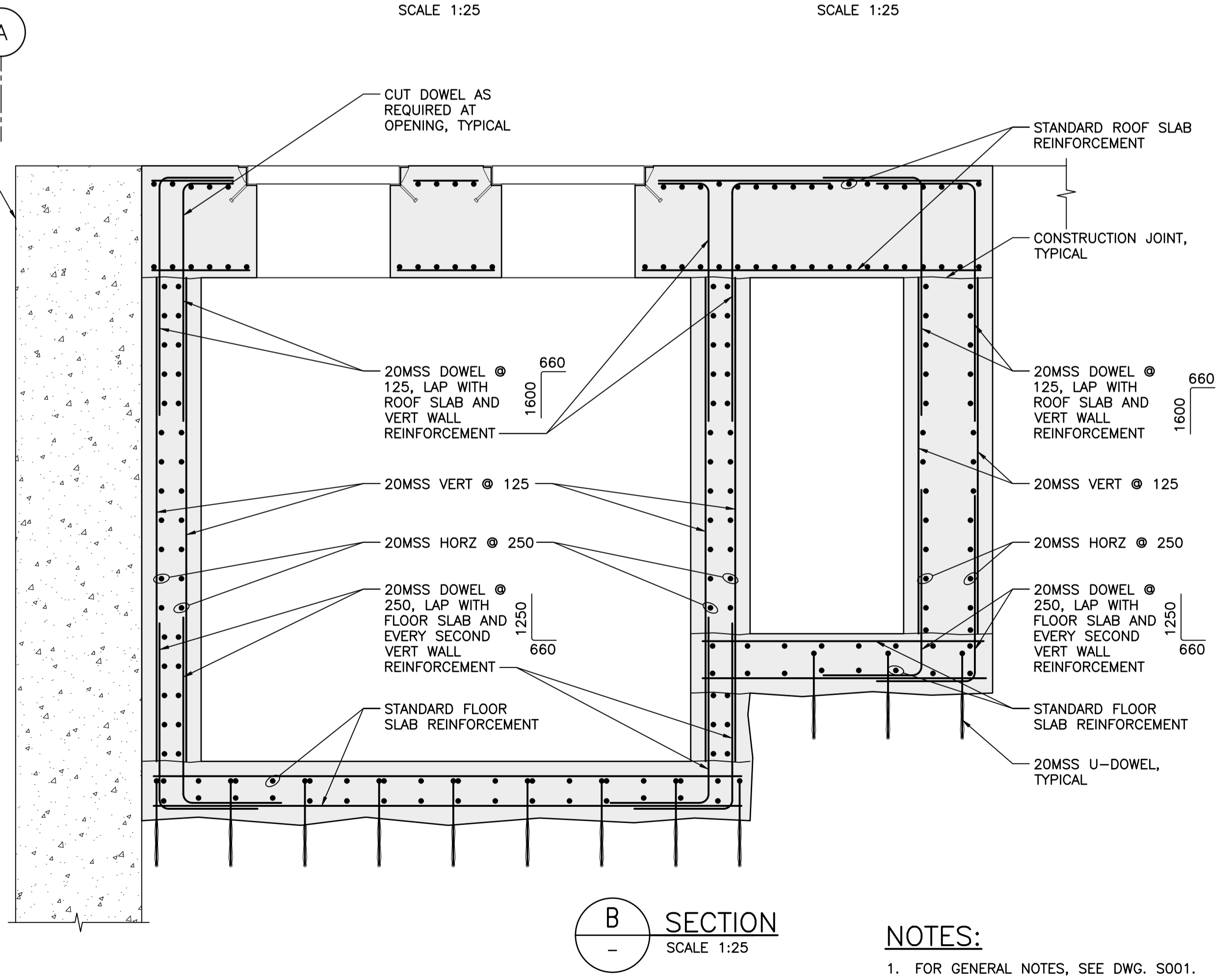
PLAN - WALL CORNER
SCALE 1:25



PLAN - WALL INTERSECTION
SCALE 1:25



A SECTION
SCALE 1:25



B SECTION
SCALE 1:25

ACCESS CHAMBER MINIMUM REINFORCEMENT COVER:

EXTERIOR OF CHAMBER	100mm
SUMP INTERIOR	100mm
CAST AGAINST EAST END EXTENSION WALL	70mm
INTERIOR CHAMBER AND SUMP CEILING	50mm

- NOTES:**
- FOR GENERAL NOTES, SEE DWG. S001.
 - NORTH ACCESS CHAMBER SHOWN, SOUTH ACCESS CHAMBER IS OPPOSITE HAND.



Revision/Revision	Description/Description	Date/Date
B	TENDER	2021.01.07
A	90% REVIEW	2020.07.10

Client/client
PUBLIC WORKS AND GOVERNMENT SERVICES CANADA

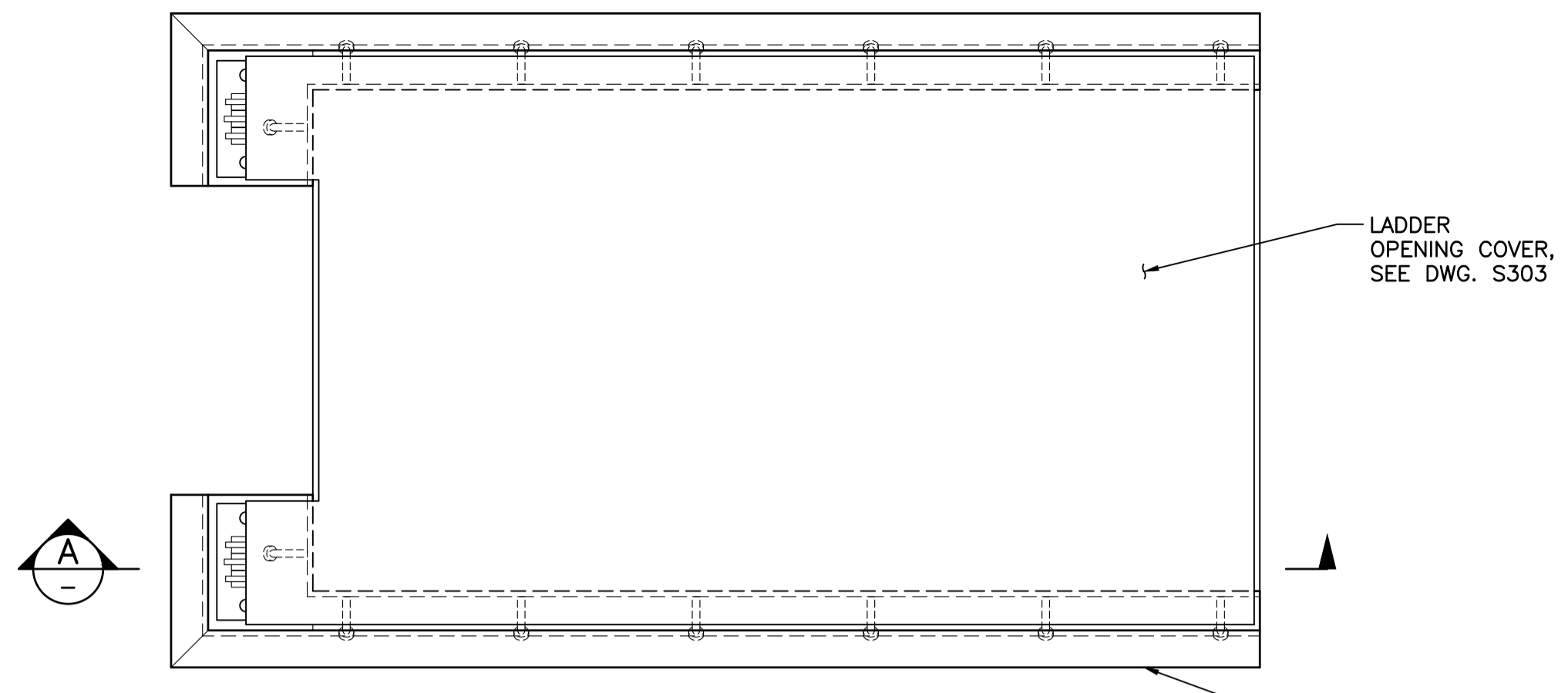
Project title/Titre du projet
**ESQUIMALT GRAVING DOCK
825 ADMIRALS ROAD, VICTORIA, BC**

**ESQUIMALT GRAVING DOCK
EAST END EXTENSION AND
SECTION 3 DOCK FLOOR
AND WALL REFURBISHMENT**

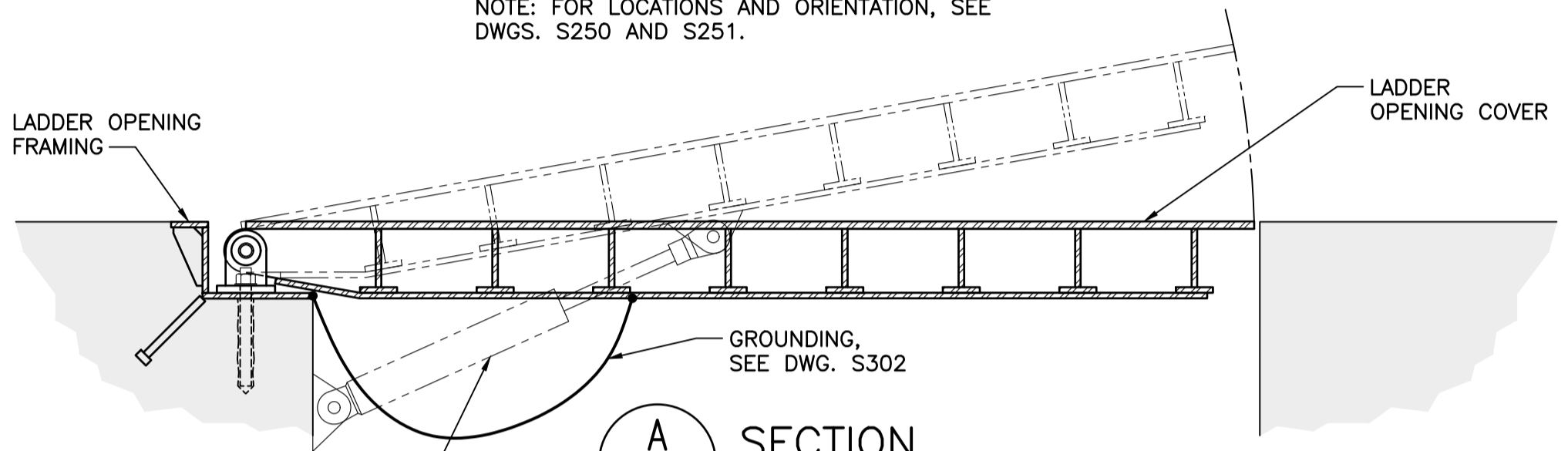
Consultant Signature Only
Designed by/Concept par
KU / MGCS
Drawn by/Dessiné par
JJMC
PWGSC Project Manager/Administrateur de Projets TPSGC
EUGENE YEUNG
Regional Manager, Architectural and Engineering Services
Regional Manager, Environmental Services
PREETIPAL PAUL

Drawing title/Titre du dessin
**NORTH AND SOUTH
ACCESS CHAMBERS
- REINFORCEMENT DETAILS**

Project No./No. du projet R.096320.002	Sheet/Fauille S252	Revision no./ La Révision no. B
--	------------------------------	--

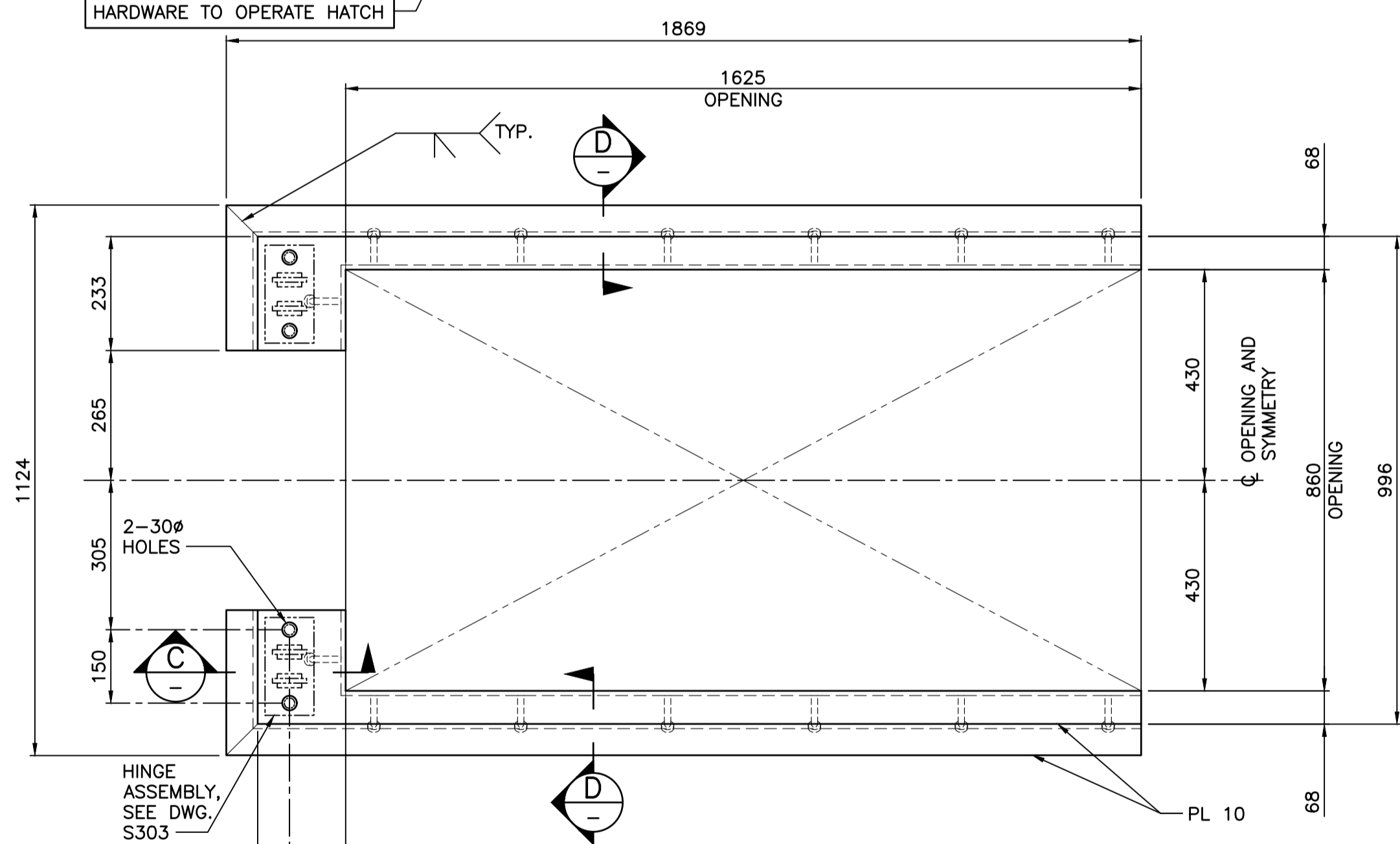


PLAN - LADDER OPENING
SCALE 1:10
NOTE: FOR LOCATIONS AND ORIENTATION, SEE DWGS. S250 AND S251.

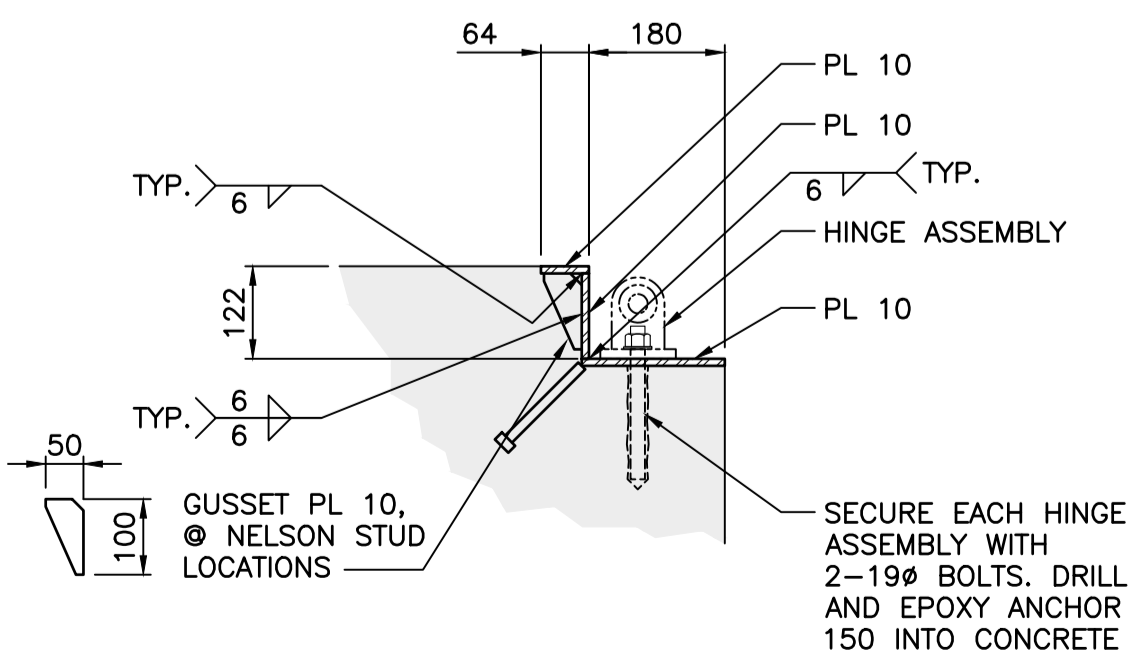


NOTE: CONTRACTOR TO PROVIDE SUITABLE GAS STRUTS OR LINEAR ACTUATORS AND HARDWARE TO OPERATE HATCH

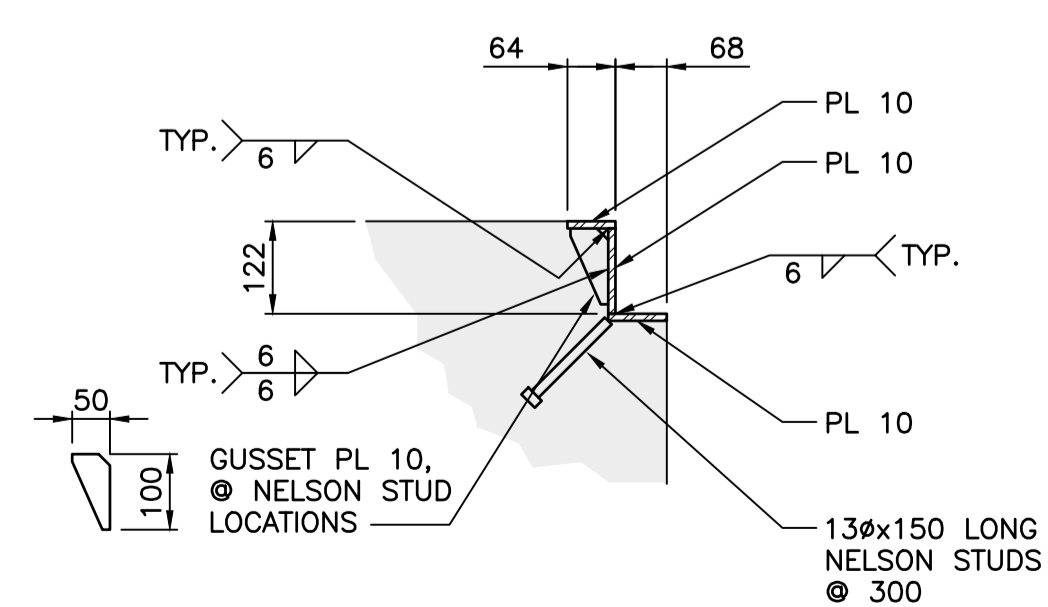
A SECTION
SCALE 1:10



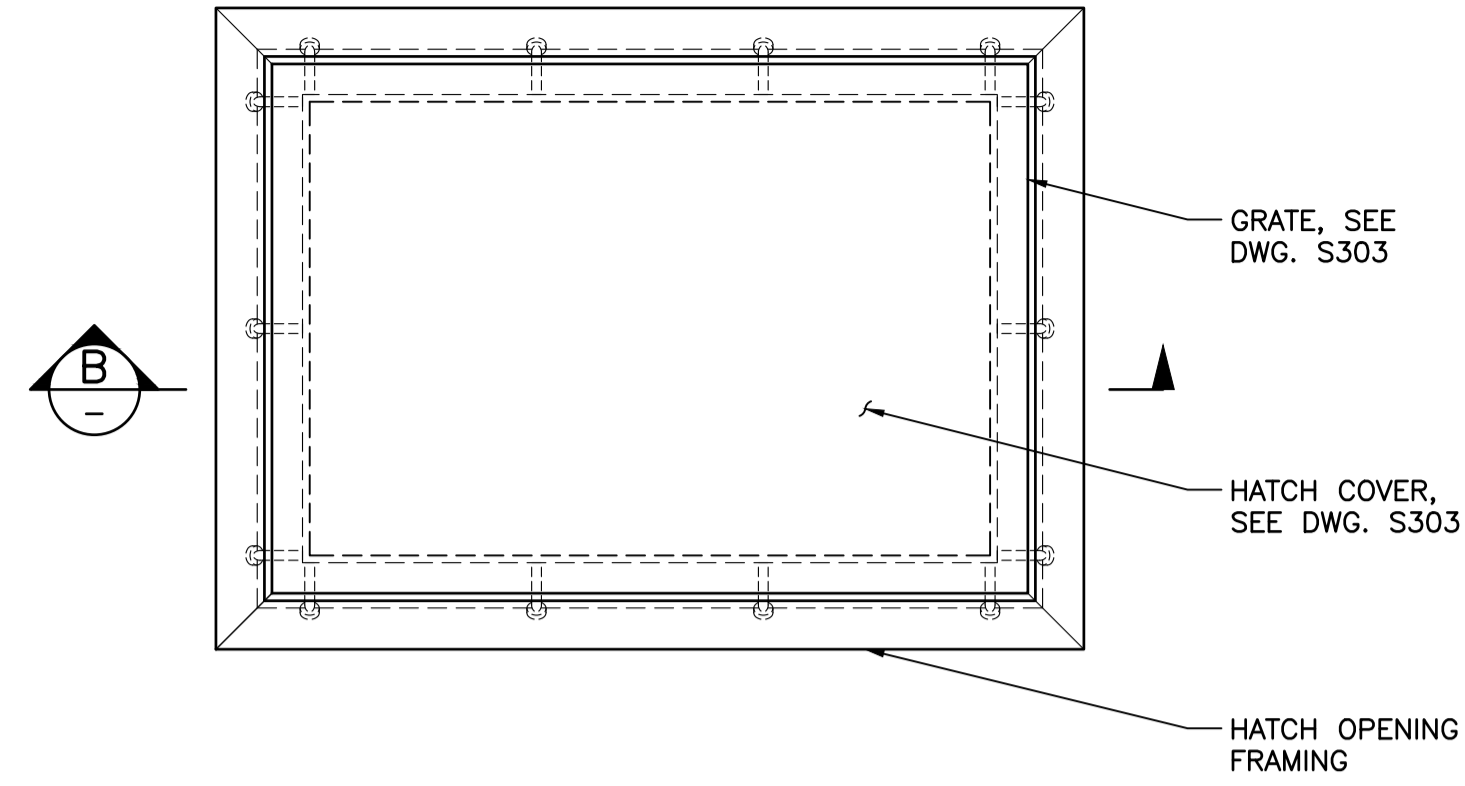
PLAN - LADDER OPENING FRAMING
SCALE 1:10
NOTE: FOR LOCATIONS AND ORIENTATION, SEE DWGS. S250 AND S251.



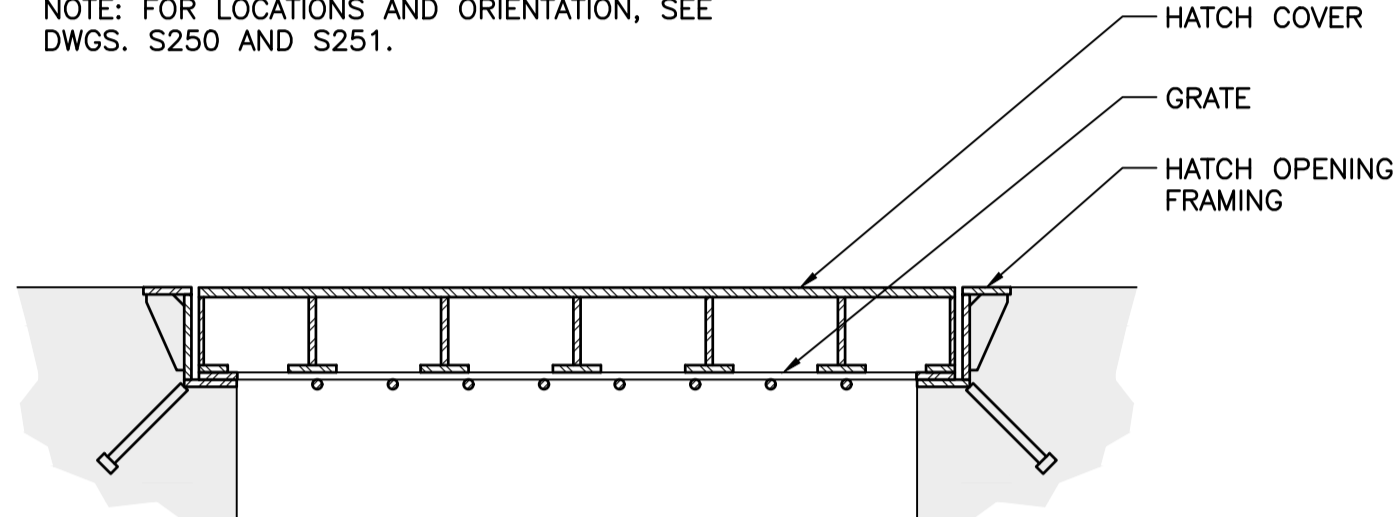
C SECTION
SCALE 1:10



D SECTION
SCALE 1:10

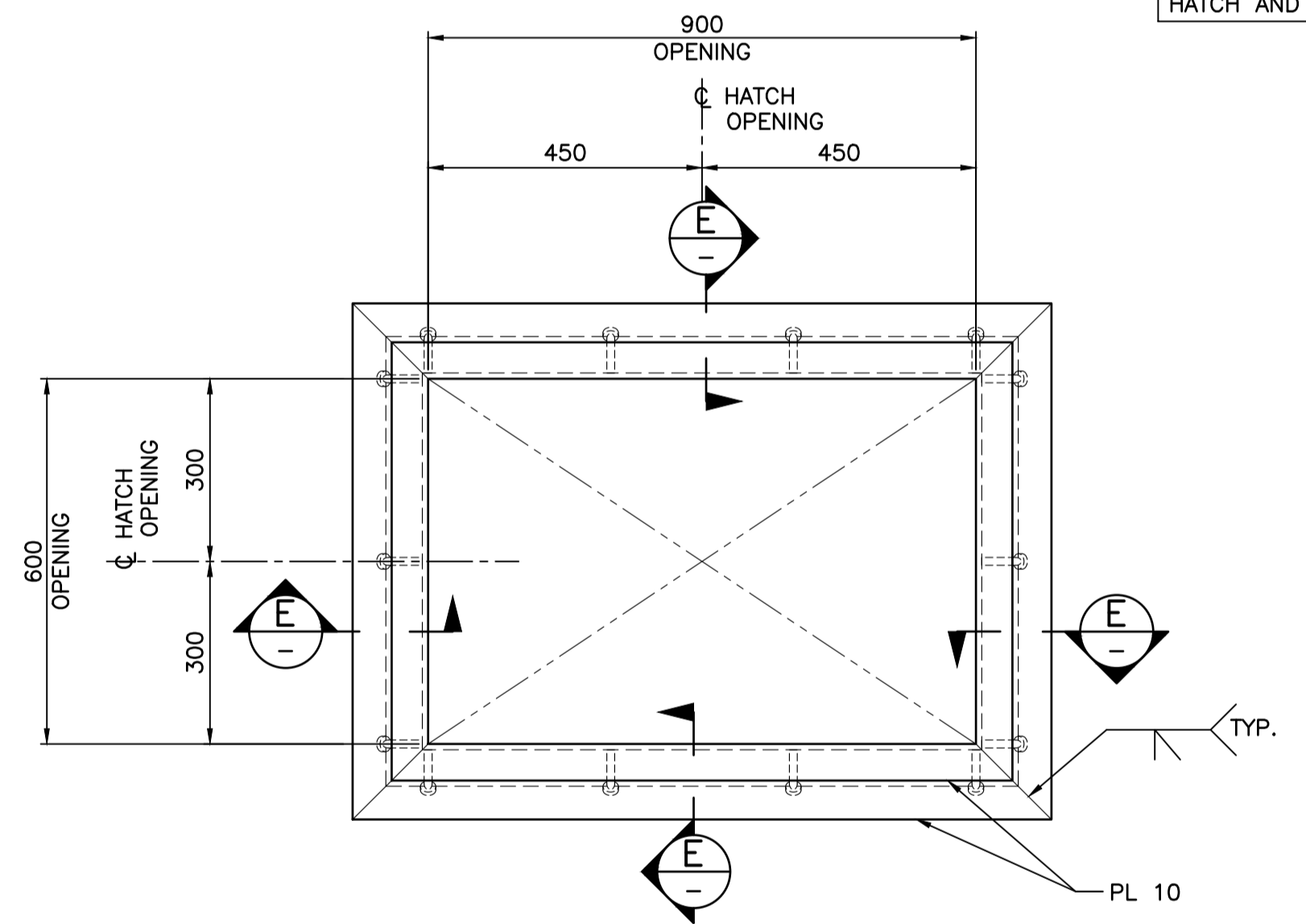


PLAN - SUMP ROOM HATCH OPENING
SCALE 1:10
NOTE: FOR LOCATIONS AND ORIENTATION, SEE DWGS. S250 AND S251.

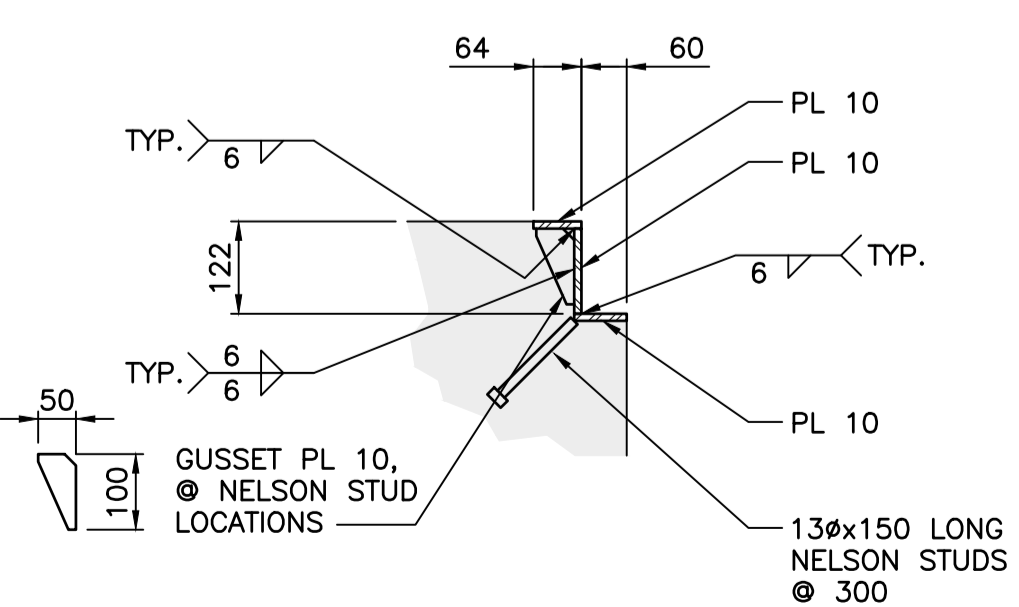


B SECTION
SCALE 1:10

NOTE: REQUIRED OPENING SIZE TO BE CONFIRMED PRIOR TO CONSTRUCTION OF SUMP ROOF SLAB AND FABRICATION OF HATCH AND GRATE



PLAN - SUMP ROOM HATCH OPENING FRAMING
SCALE 1:10
NOTE: FOR LOCATIONS AND ORIENTATION, SEE DWGS. S250 AND S251.



E SECTION
SCALE 1:10

NOTES:

- FOR GENERAL NOTES SEE DWG. S001.
- ALL FABRICATED STEEL SHALL BE HOT DIP GALVANIZED AFTER FABRICATION.
- REINFORCEMENT NOT SHOWN.
- COVERS ARE DESIGNED FOR APRON LIVE LOADS AS SPECIFIED ON DWG S001 EXCEPT MOBILE CRANE OUTRIGGER LOADING.



Revision/Revision	Description/Description	Date/Date
A	TENDER	2021.01.07

Client/client
PUBLIC WORKS AND GOVERNMENT SERVICES CANADA

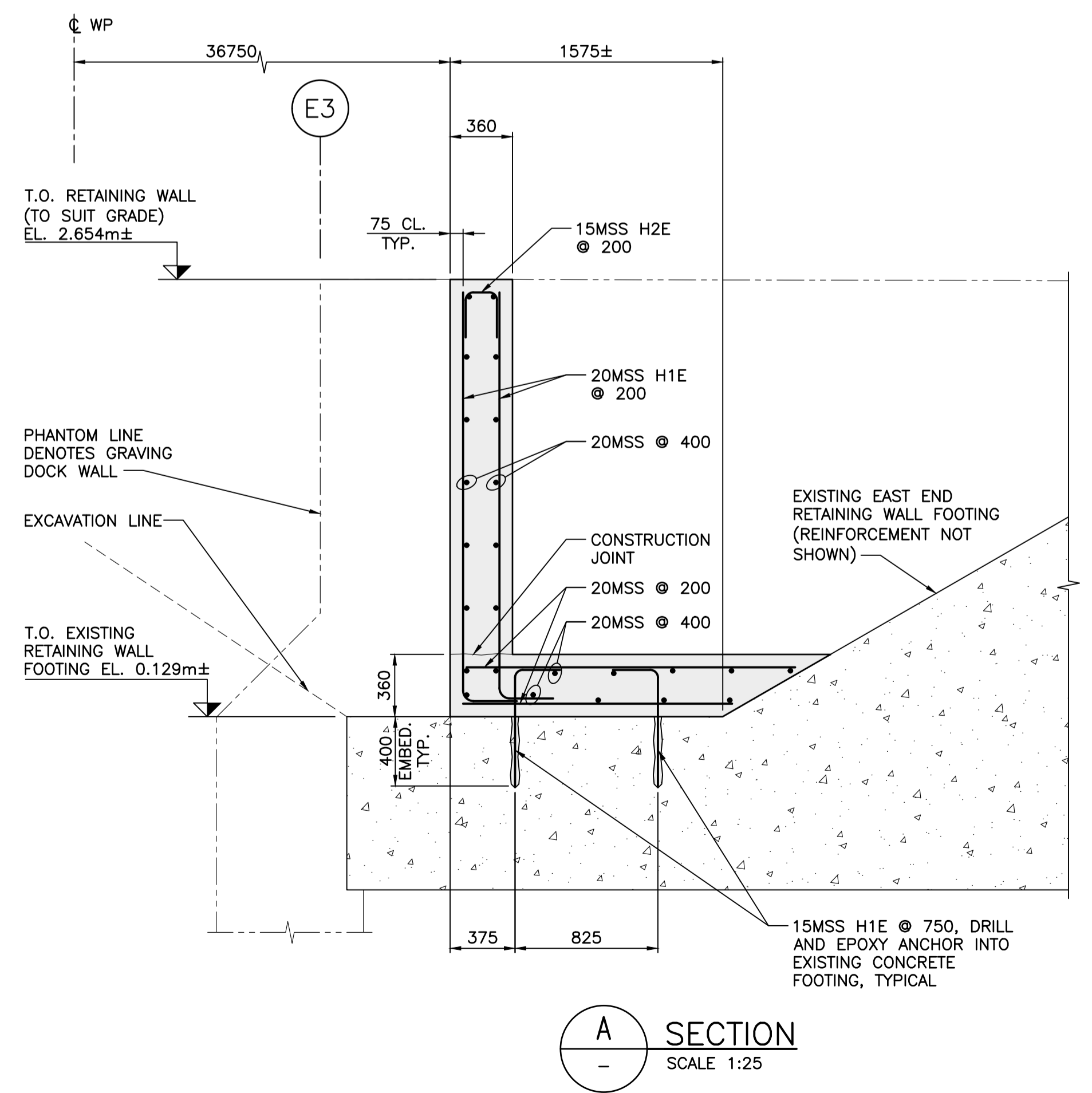
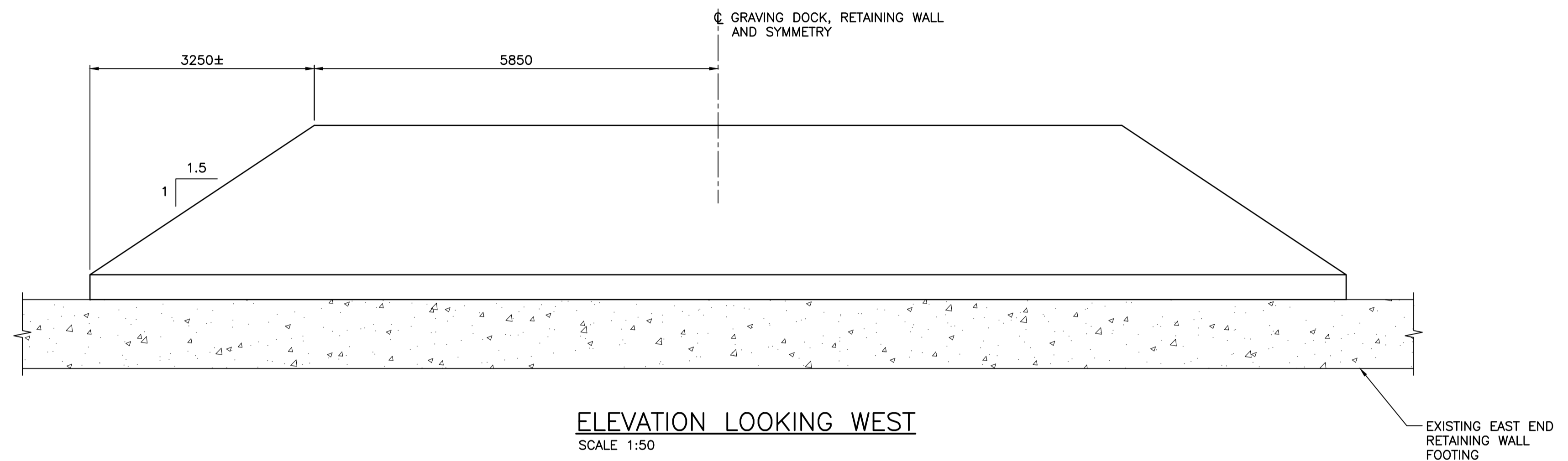
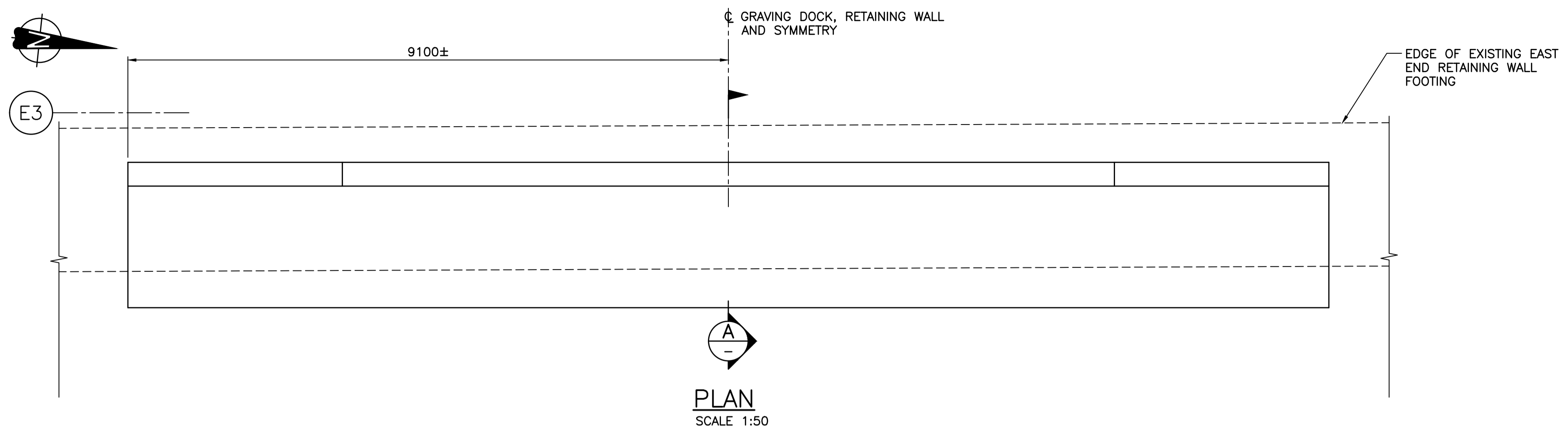
Project title/Titre du projet
**ESQUIMALT GRAVING DOCK
825 ADMIRALS ROAD, VICTORIA, BC**

**ESQUIMALT GRAVING DOCK
EAST END EXTENSION AND
SECTION 3 DOCK FLOOR
AND WALL REFURBISHMENT**

Consultant Signature Only
Designed by/Concept par
KU / MGCS
Drawn by/Dessiné par
JJMC
PWGSC Project Manager/Administrateur de Projets TPSCG
EUGENE YEUNG
Regional Manager, Architectural and Engineering Services
Regional Manager, Environmental Services
PREETIPAL FAUL

Drawing title/Titre du dessin
ACCESS CHAMBER DETAILS

Project No./No. du projet R.096320.002	Sheet/Feuille S253	Revision no./ La Révision no. A
--	------------------------------	--



Revision/	Description/Description	Date/Date
B	TENDER	2021.01.07
A	90% REVIEW	2020.07.10

Client/client
PUBLIC WORKS AND GOVERNMENT SERVICES CANADA

Project title/Titre du projet
**ESQUIMALT GRAVING DOCK
825 ADMIRALS ROAD, VICTORIA, BC**

**ESQUIMALT GRAVING DOCK
EAST END EXTENSION AND
SECTION 3 DOCK FLOOR
AND WALL REFURBISHMENT**

Consultant Signature Only

Designed by/Concept par
KU / MGCS

Drawn by/Dessiné par
JJMC

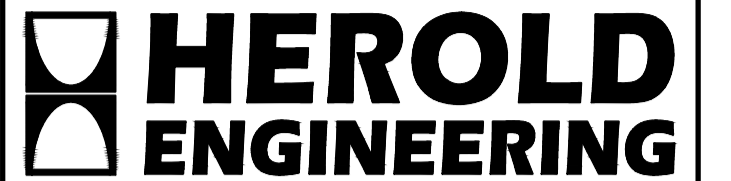
PWGSC Project Manager/Administrateur de Projets TPSGC
EUGENE YEUNG

Regional Manager, Architectural and Engineering Services
Regional Manager, Environmental Services
PREETIPAL FAUL

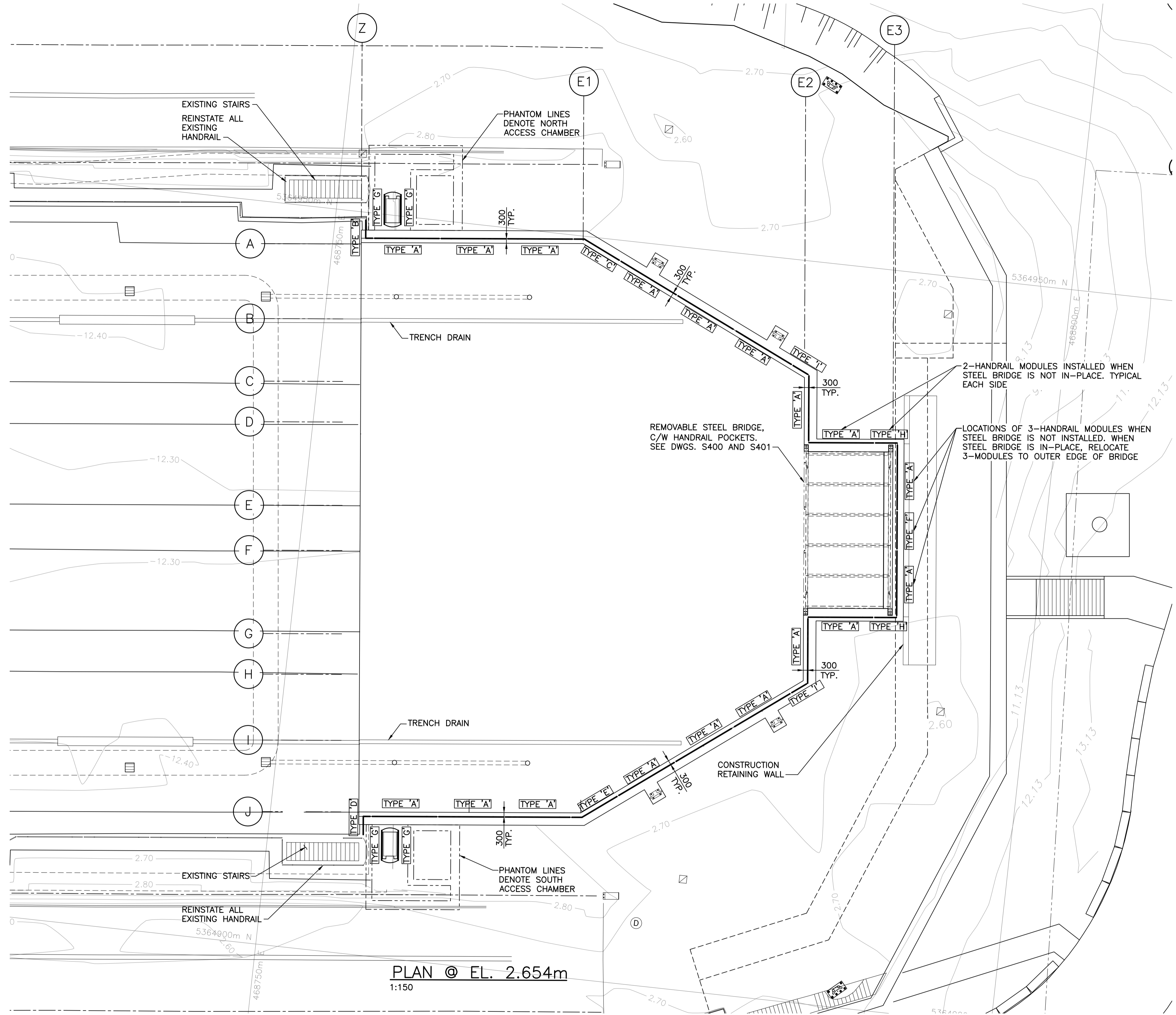
Drawing title/Titre du dessin
CONSTRUCTION RETAINING WALL

Project No./No. du projet	Sheet/Feuille	Revision no./La Révision no.
R.096320.002	S260	B

NOTES:
1. FOR GENERAL NOTES, SEE DWG. S001.



HEL JOB FILE: 3191-017



Revision/Revision	Description/Description	Date/Date
C	TENDER	2021.01.07
B	90% REVIEW	2020.07.10
A	75% REVIEW	2020.05.20

Client/client
PUBLIC WORKS AND GOVERNMENT SERVICES CANADA

Project title/Titre du projet
**ESQUIMALT GRAVING DOCK
825 ADMIRALS ROAD, VICTORIA, BC**

**ESQUIMALT GRAVING DOCK
EAST END EXTENSION AND
SECTION 3 DOCK FLOOR
AND WALL REFURBISHMENT**

Consultant Signature Only

Designed by/Concept par
KU / MGCS

Drawn by/Dessiné par
JJMC

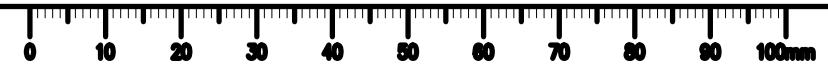
PWGC Project Manager/Administrateur de Projets TPSCG
EUGENE YEUNG

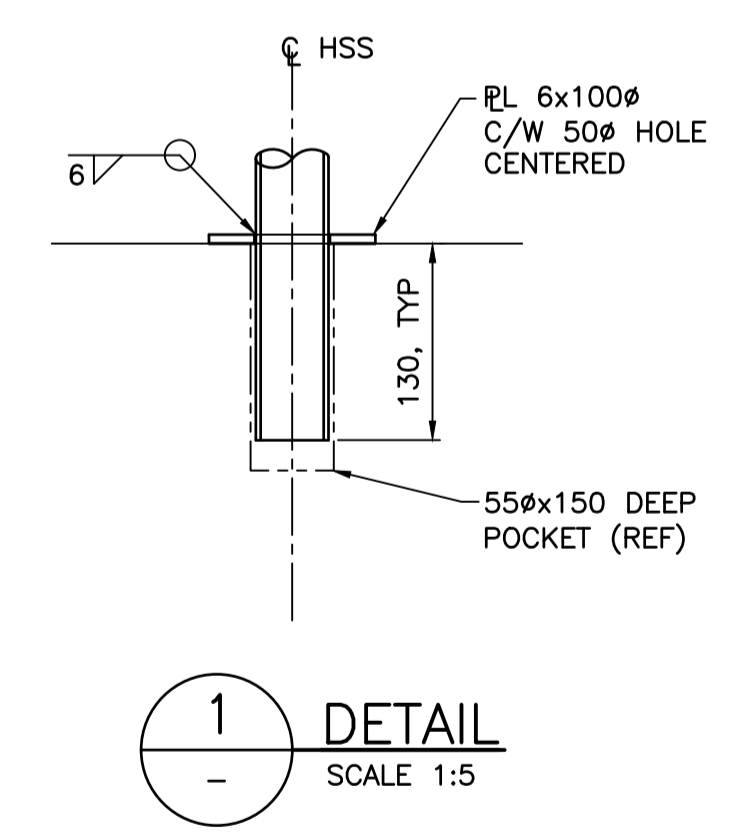
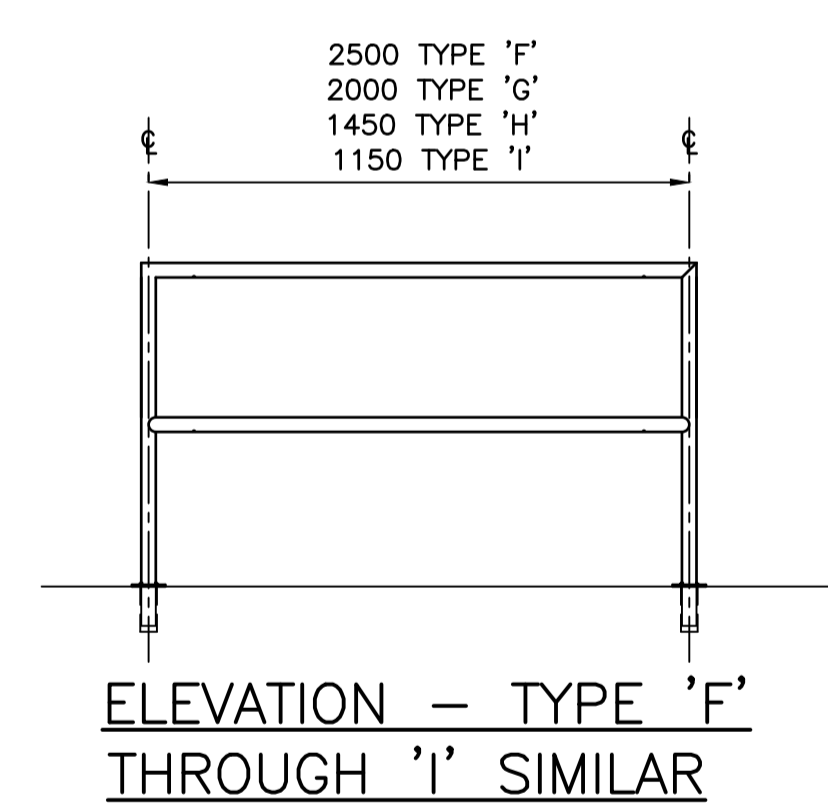
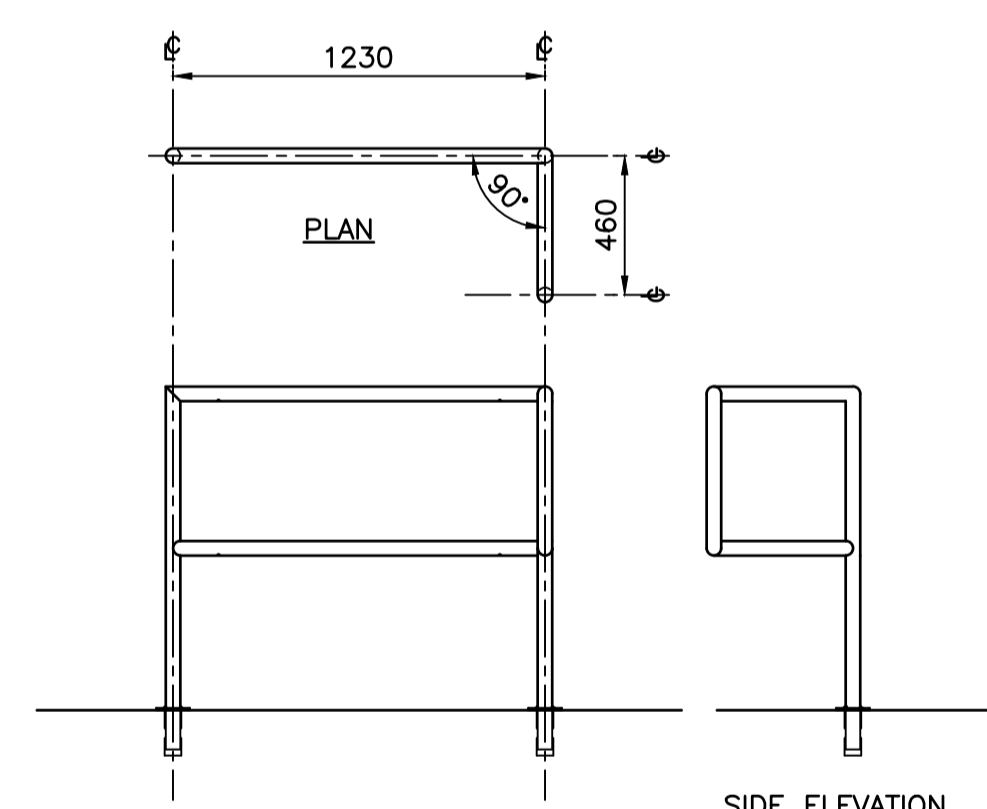
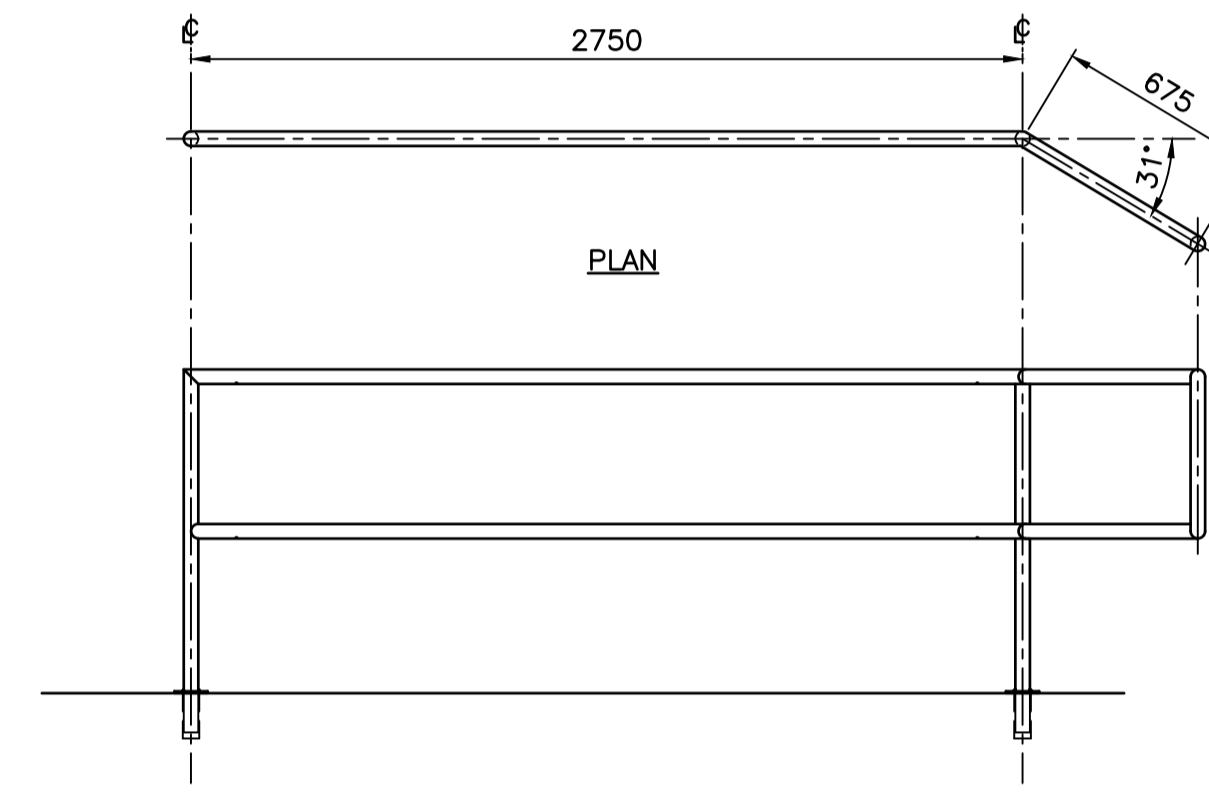
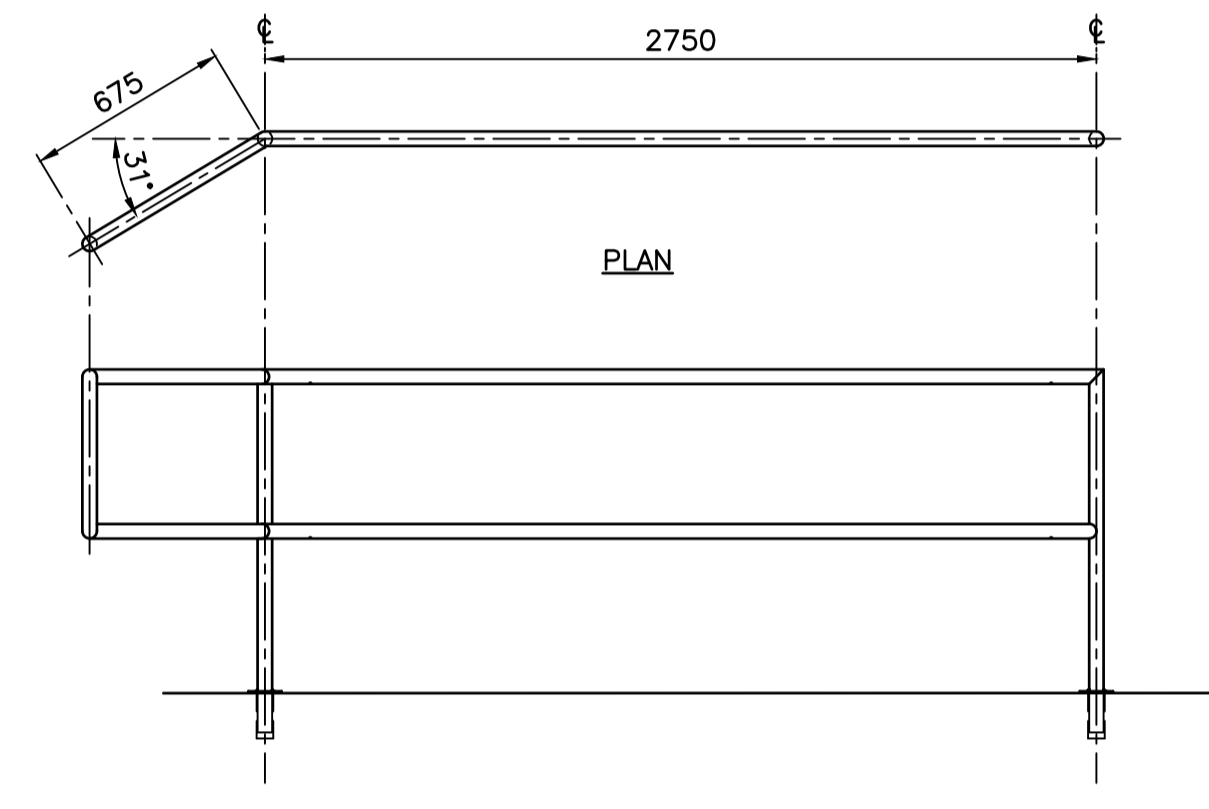
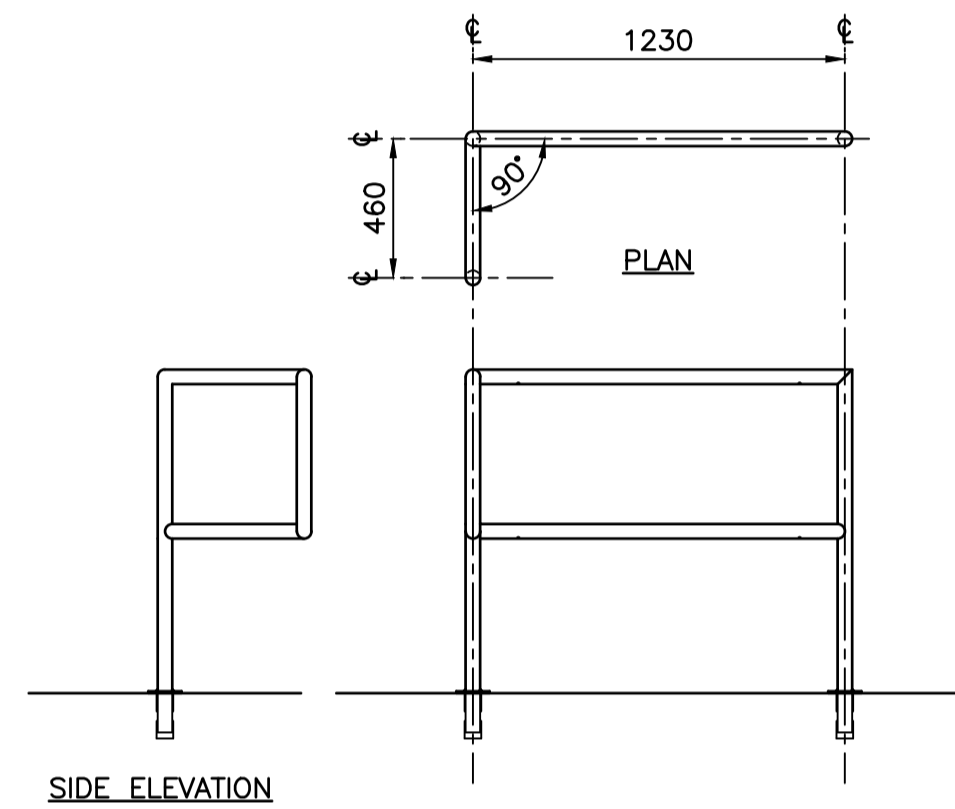
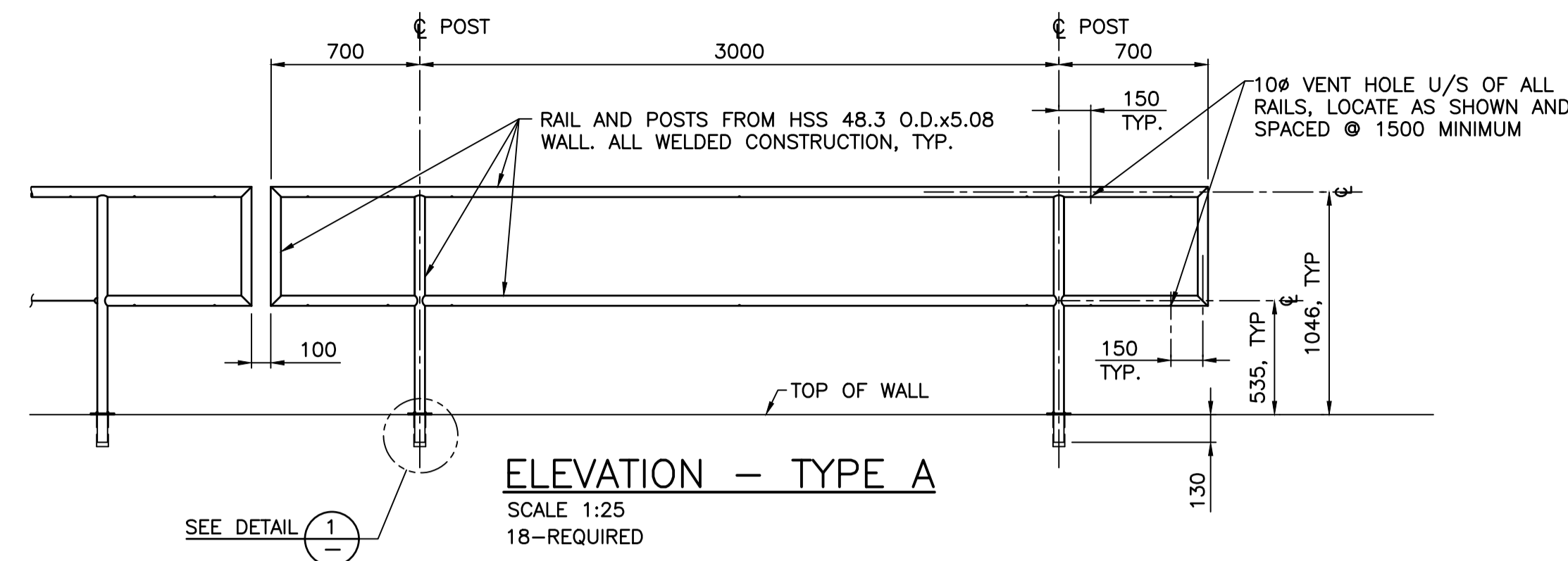
Regional Manager, Architectural and Engineering Services
Regional Manager, Environmental Services
PREETIPAL PAUL

Drawing title/Titre du dessin
HANDRAIL LOCATION PLAN

Project No./No. du projet	Sheet/Fauille	Revision no./La Révision no.
R.096320.002	S300	C

NOTES:
1. FOR GENERAL NOTES, SEE DWG. S001.





Revision/	Description/Description	Date/Date
C	TENDER	2021.01.07
B	99% REVIEW	2020.07.10
A	75% REVIEW	2020.05.20

Client/client
PUBLIC WORKS AND GOVERNMENT SERVICES CANADA

Project title/Titre du projet
**ESQUIMALT GRAVING DOCK
825 ADMIRALS ROAD, VICTORIA, BC**

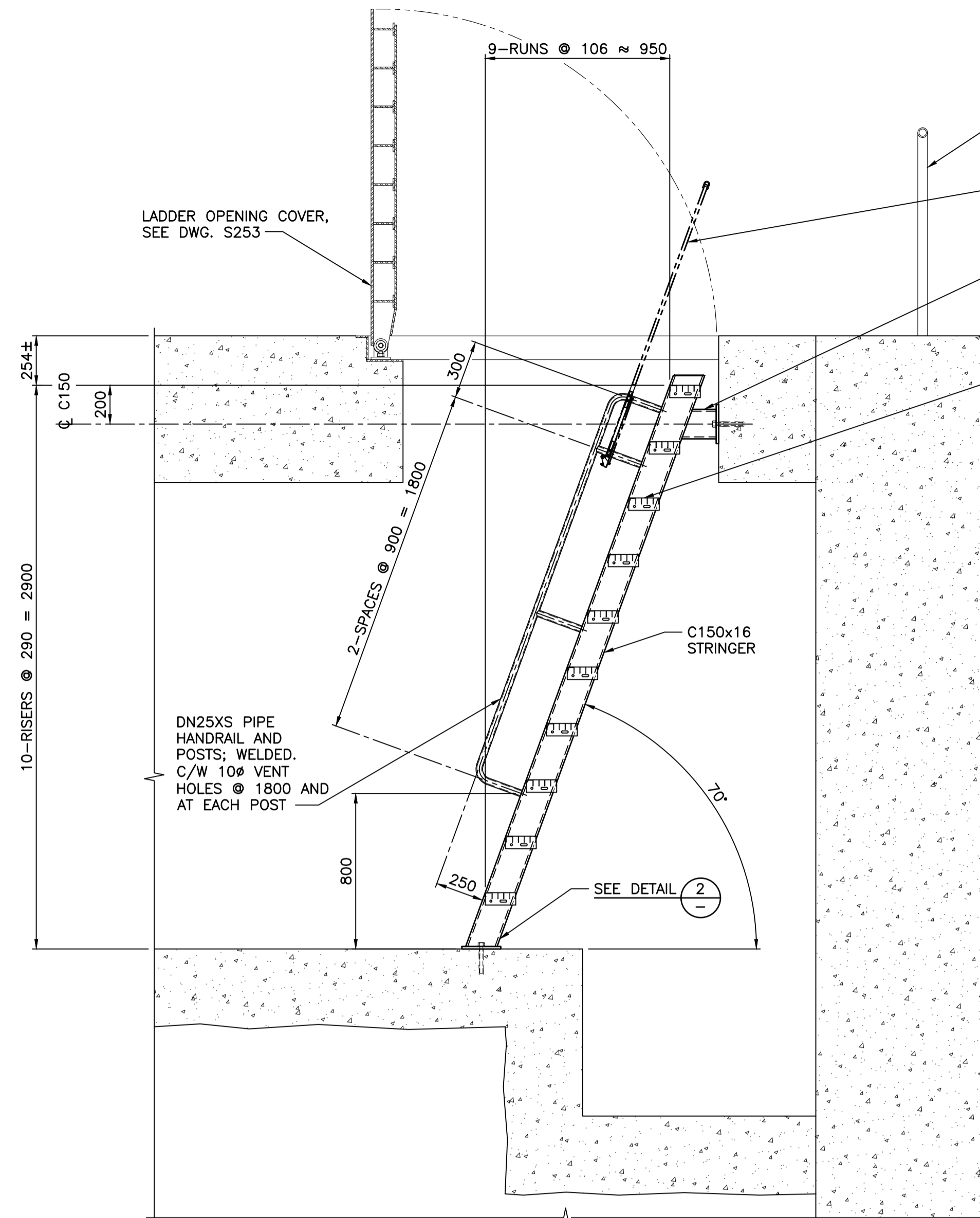
**ESQUIMALT GRAVING DOCK
EAST END EXTENSION AND
SECTION 3 DOCK FLOOR
AND WALL REFURBISHMENT**

Consultant Signature Only
Designed by/Concept par
KU / MGCS
Drawn by/Dessiné par
JJMC
PWGSC Project Manager/Administrateur de Projets TPSCG
EUGENE YEUNG
Regional Manager, Architectural and Engineering Services
Regional Manager, Environmental Services
PREETIPAL FAUL

Drawing title/Titre du dessin
HANDRAIL DETAILS

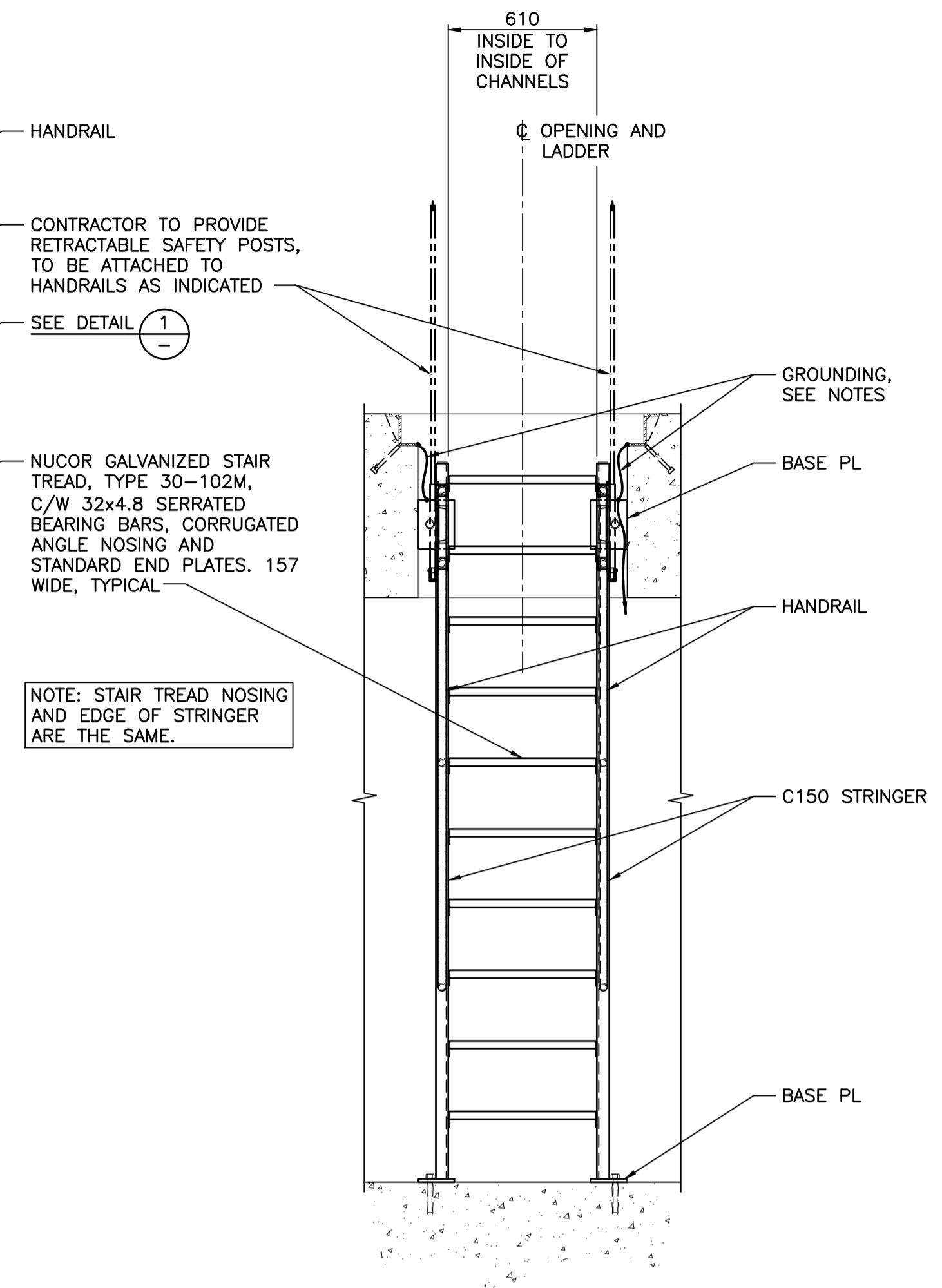
Project No./No. du projet	Sheet/Feuille	Revision no./La Révision no.
R.096320.002	S301	C

NOTES:
1. FOR GENERAL NOTES, SEE DWG. S001.

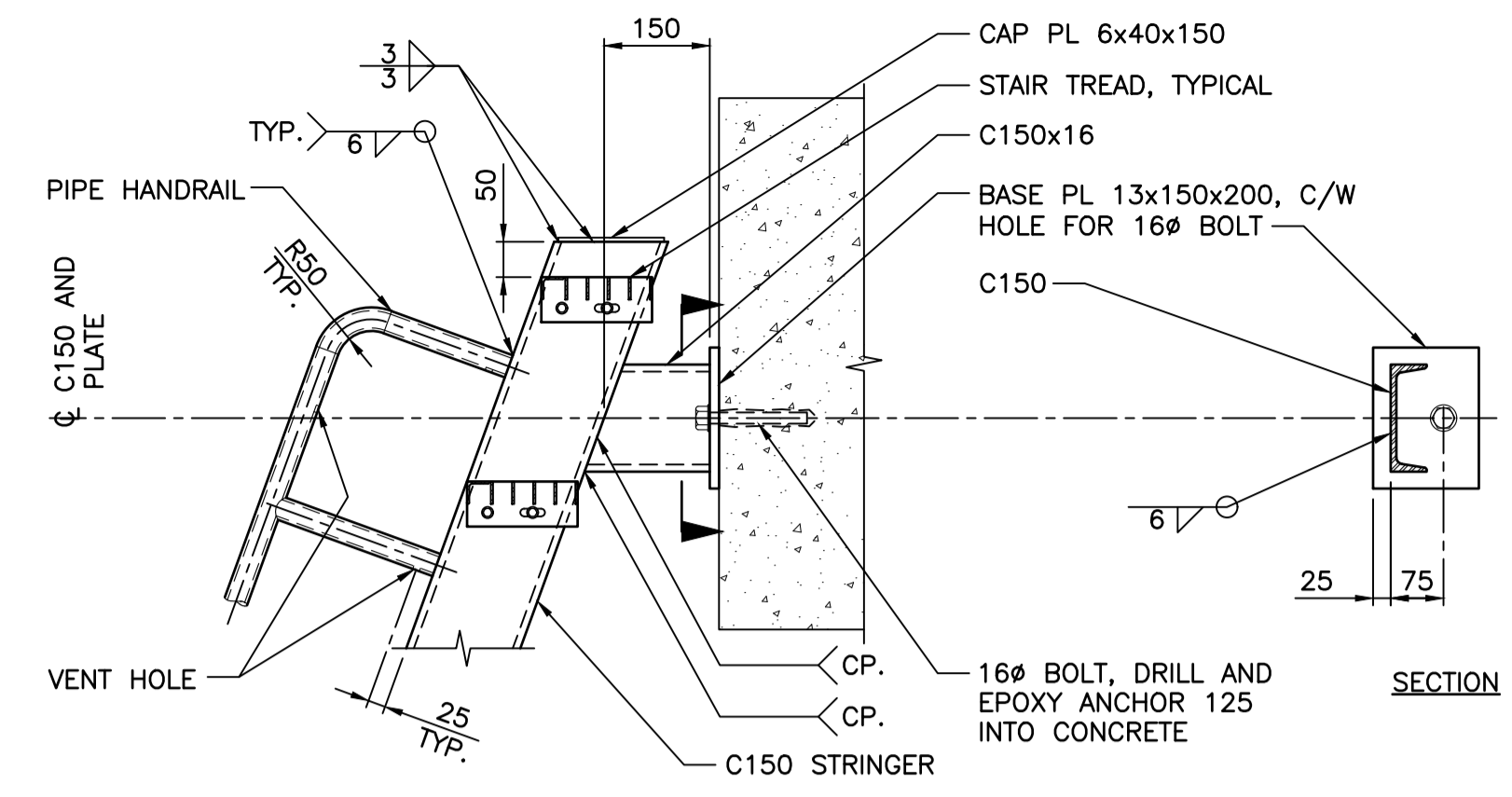


SECTION @ CENTRELINE
SCALE 1:20

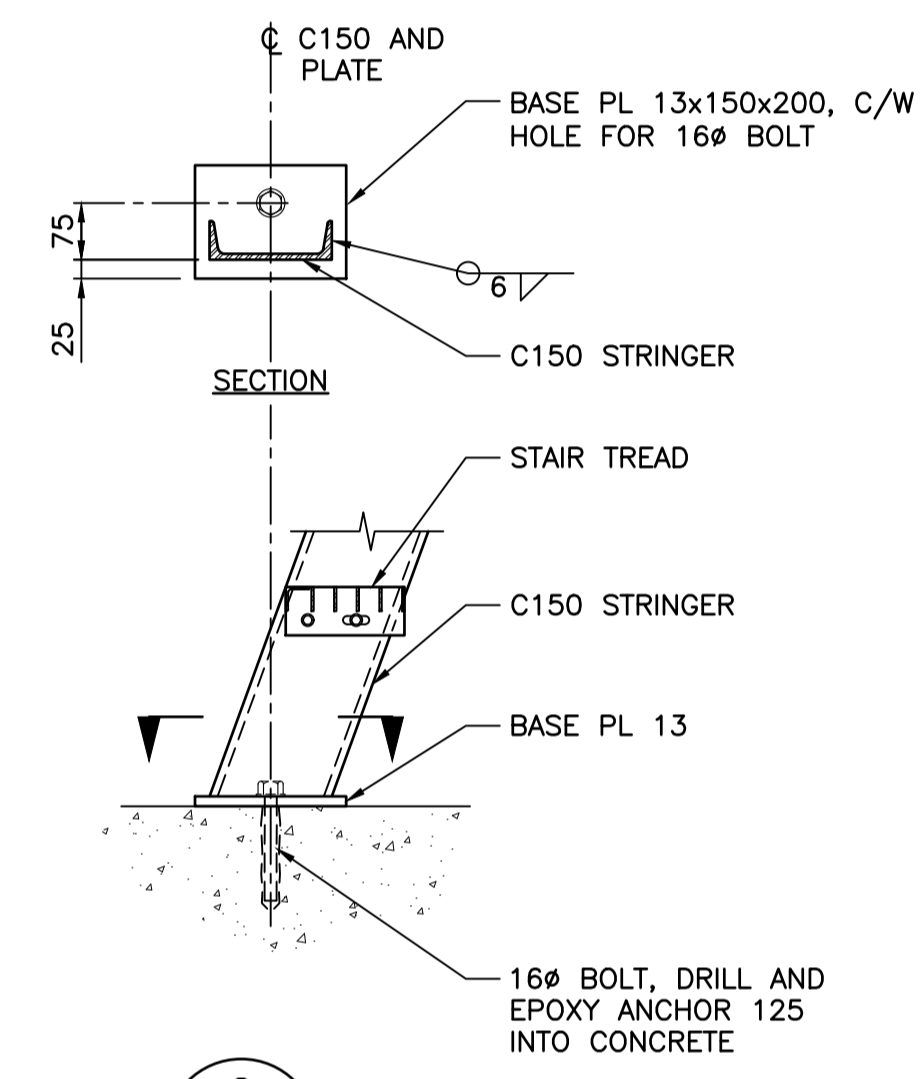
NOTE: 2-LADDERS REQUIRED: ONE FOR EACH ACCESS CHAMBER.



FRONT ELEVATION
SCALE 1:20



1 DETAIL
SCALE 1:10



2 DETAIL
SCALE 1:10

- NOTES:**
- FOR GENERAL NOTES SEE DWG. S001.
 - ALL FABRICATED STEEL SHALL BE HOT DIP GALVANIZED.
 - GROUND EMBEDDED LADDER OPENING FRAMES TO THE LADDER AND BOND THE HINGED COVER TO THE EMBEDDED FRAMES WITH A FLEXIBLE BRAIDED CONDUCTOR. CONNECT TO THE GROUNDING CONDUCTOR IN THE SERVICE TUNNEL CABLE TRAY PER THE CANADIAN ELECTRICAL CODE 2018.



Revision/	Description/Description	Date/Date
C	TENDER	2021.01.07
B	99% REVIEW	2020.07.10
A	75% REVIEW	2020.05.20

Client/client
PUBLIC WORKS AND GOVERNMENT SERVICES CANADA

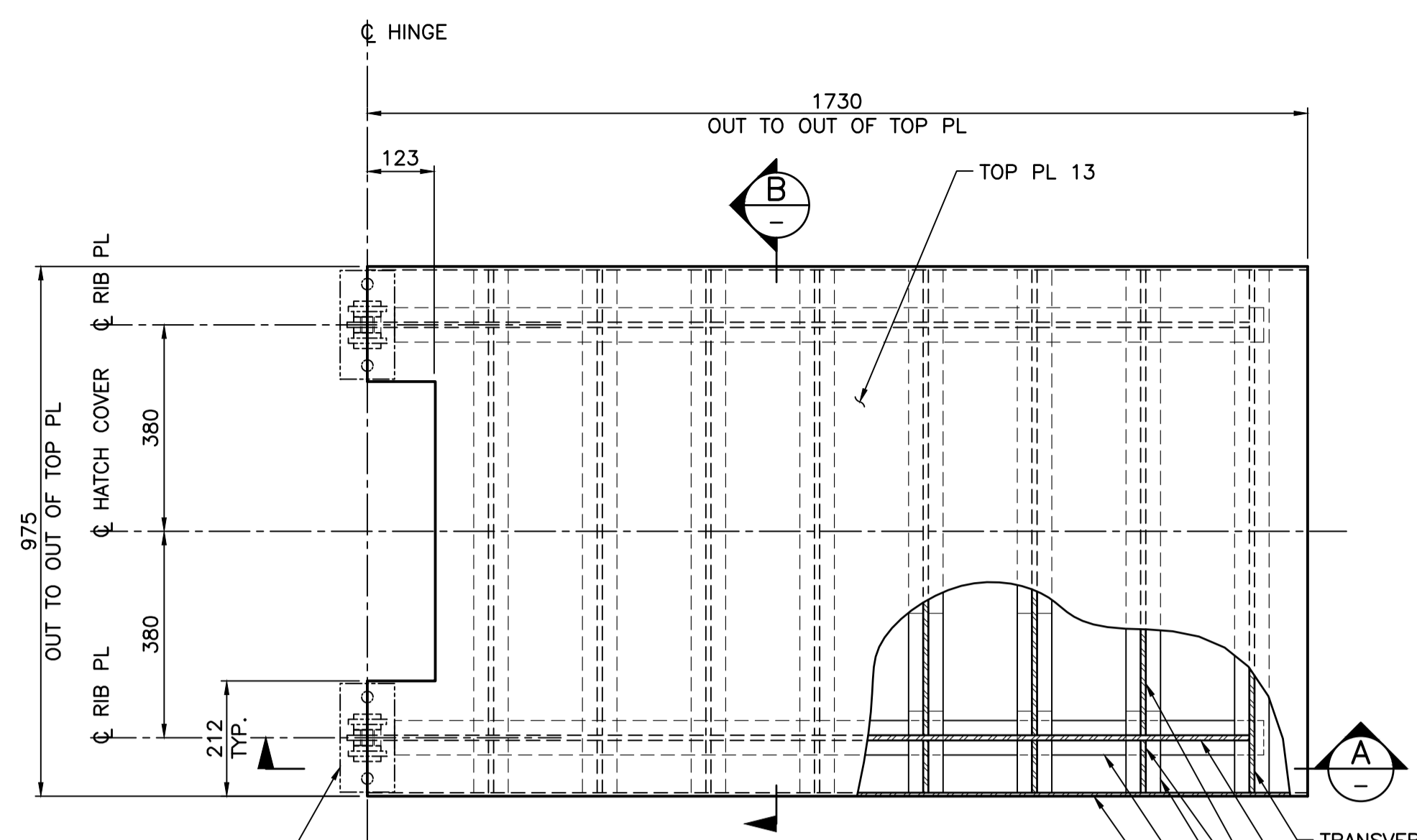
Project title/Titre du projet
**ESQUIMALT GRAVING DOCK
825 ADMIRALS ROAD, VICTORIA, BC**

**ESQUIMALT GRAVING DOCK
EAST END EXTENSION AND
SECTION 3 DOCK FLOOR
AND WALL REFURBISHMENT**

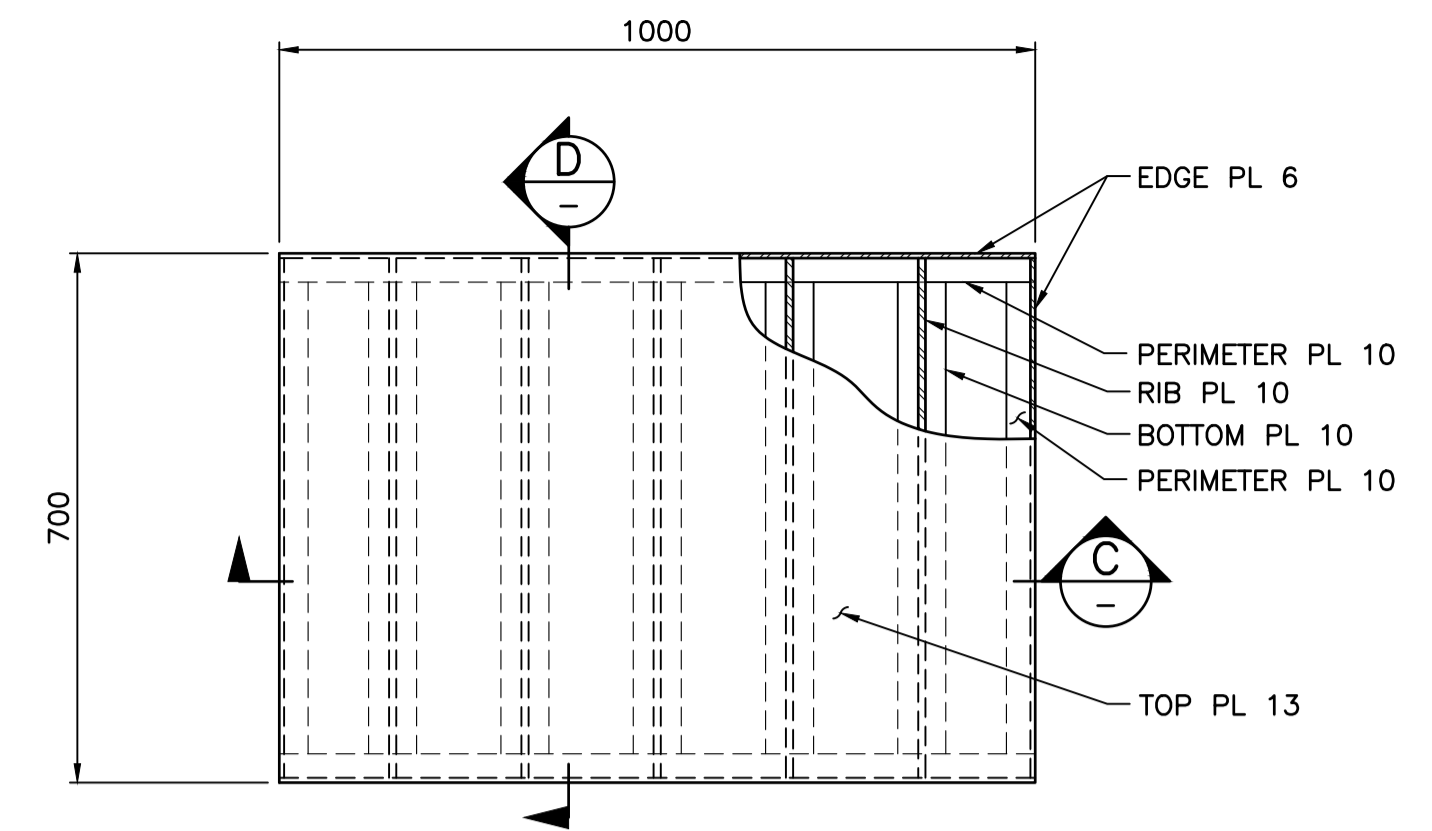
Consultant Signature Only
Designed by/Concept par
KU / MGCS
Drawn by/Dessiné par
JJMC
PWGSC Project Manager/Administrateur de Projets TPSGC
EUGENE YEUNG
Regional Manager, Architectural and Engineering Services
Regional Manager, Environmental Services
PREETIPAL FAUL

Drawing title/Titre du dessin
ACCESS CHAMBER SHIP LADDER

Project No./No. du projet R.096320.002	Sheet/Fauille S302	Revision no./La Révision no. C
--	------------------------------	--

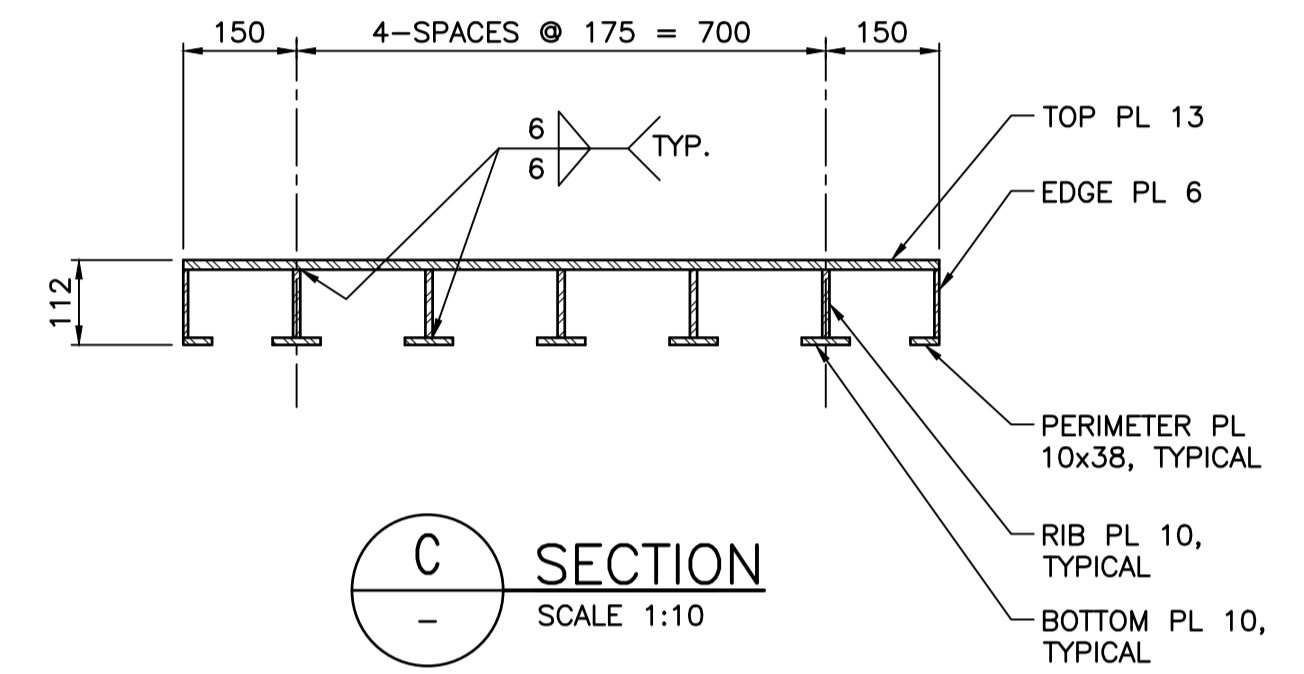


PLAN - LADDER OPENING COVER
SCALE 1:10

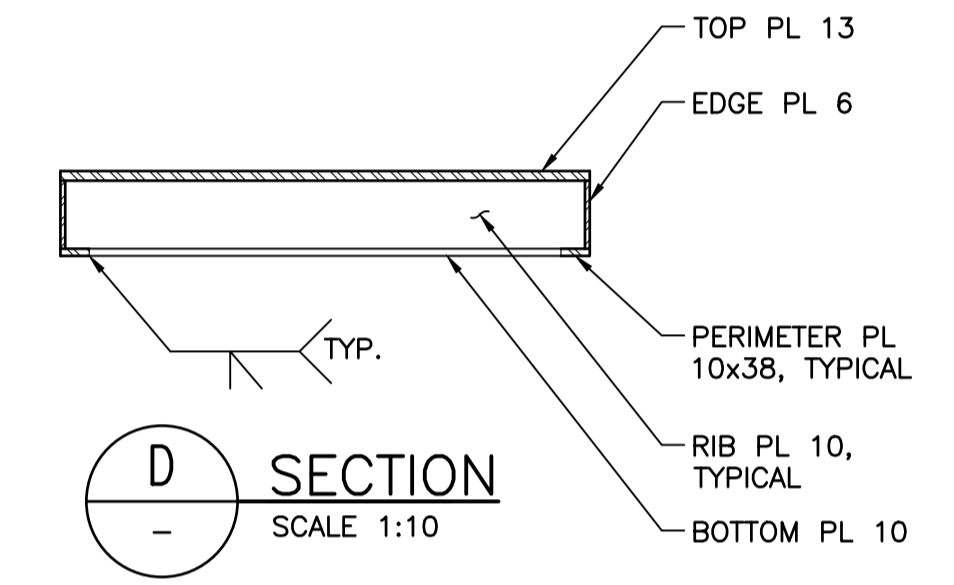


PLAN - HATCH COVER
SCALE 1:10

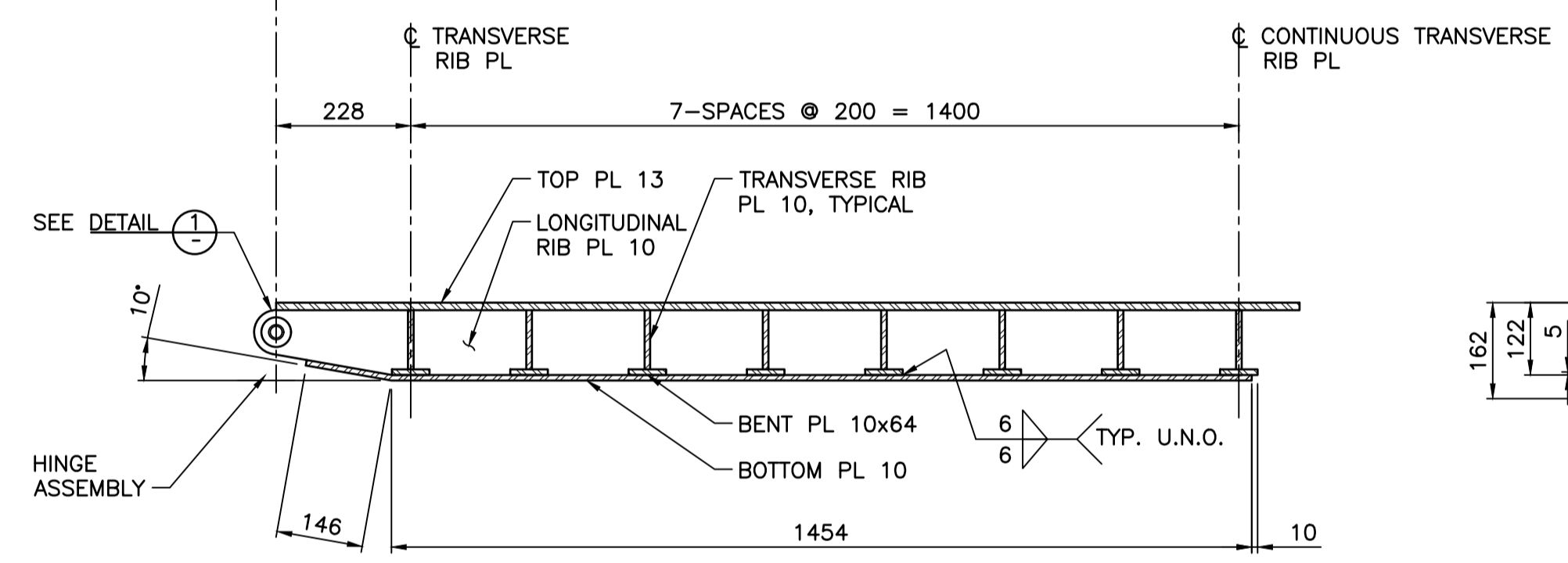
NOTE: REQUIRED OPENING SIZE TO BE CONFIRMED PRIOR TO CONSTRUCTION OF SUMP ROOF SLAB AND FABRICATION OF HATCH AND GRATE



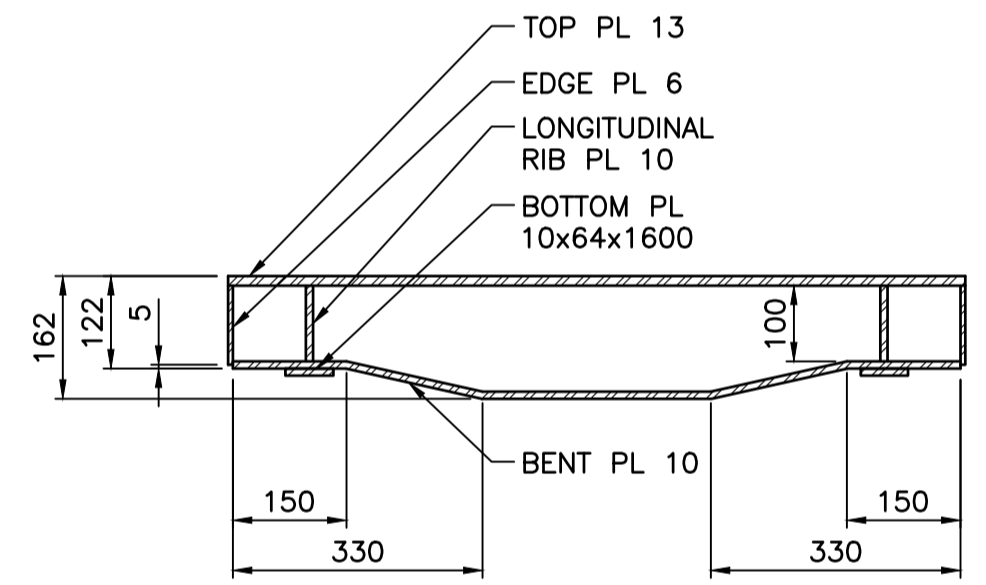
C SECTION
SCALE 1:10



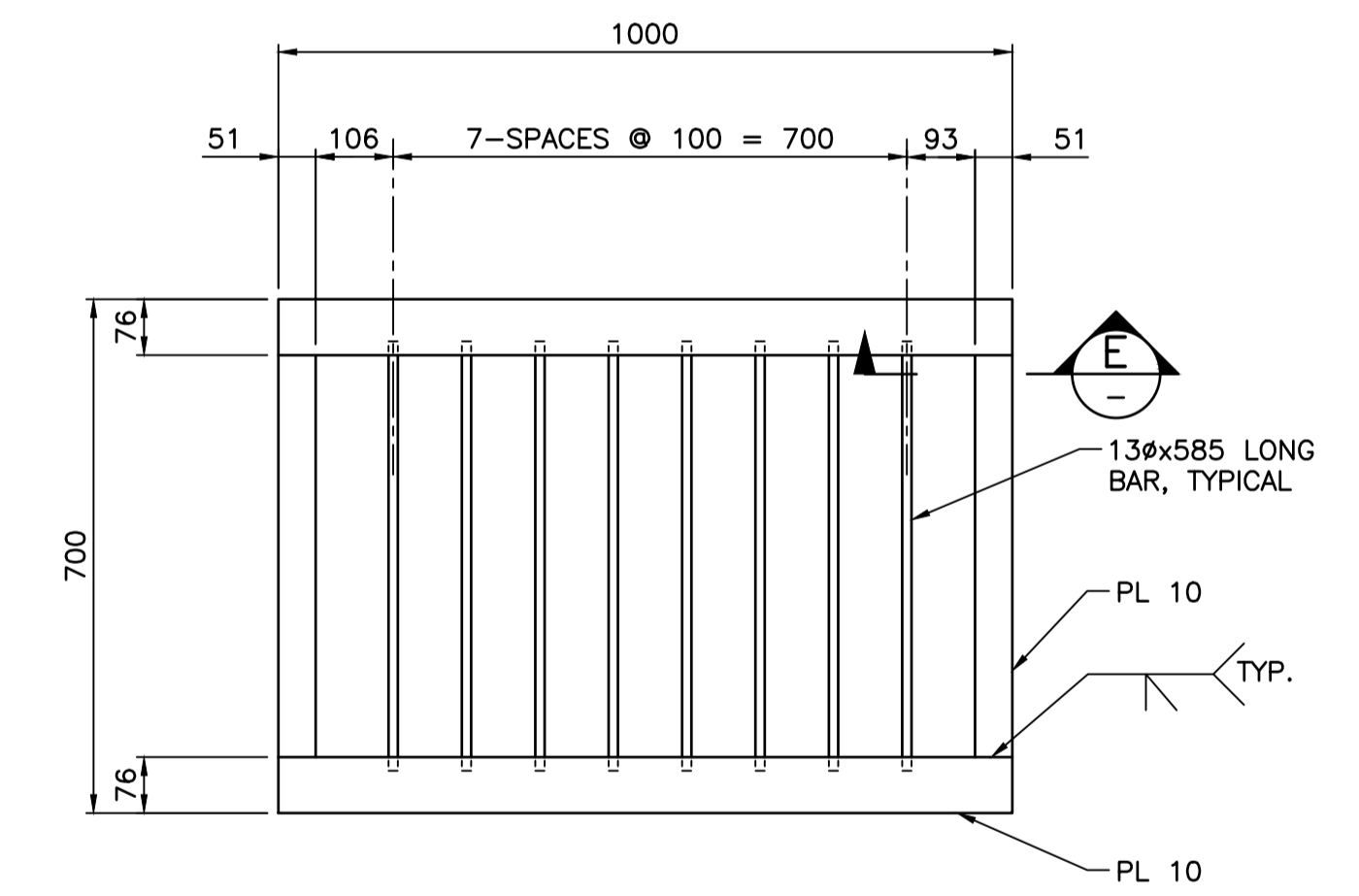
D SECTION
SCALE 1:10



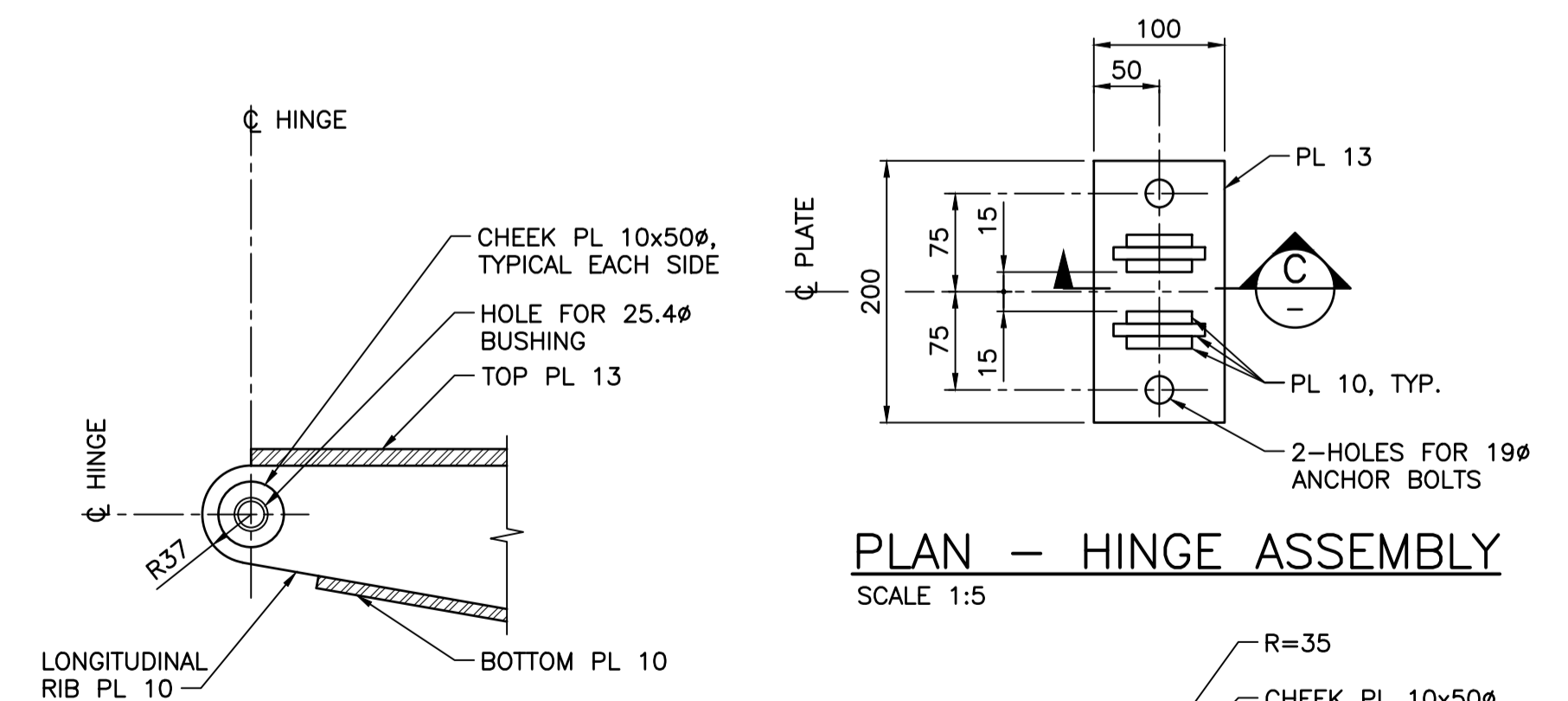
A SECTION
SCALE 1:10



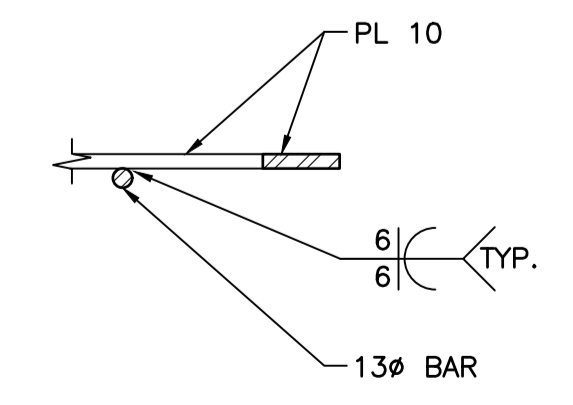
B SECTION
SCALE 1:10



PLAN - HATCH GRATE
SCALE 1:10

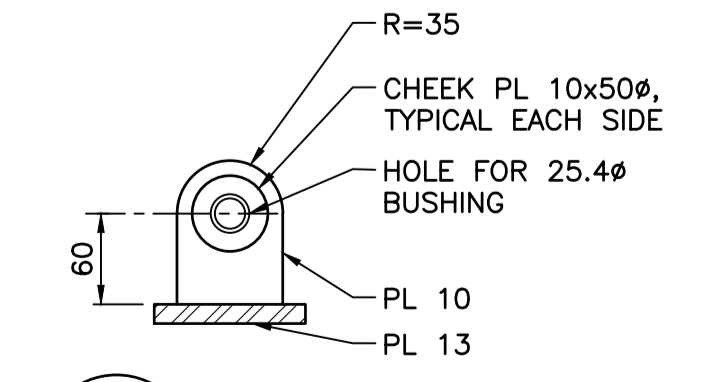


PLAN - HINGE ASSEMBLY
SCALE 1:5



E SECTION
SCALE 1:5

1 DETAIL
SCALE 1:5



C SECTION
SCALE 1:5

NOTES:

- FOR GENERAL NOTES SEE DWG. S001.
- ALL FABRICATED STEEL SHALL BE HOT DIP GALVANIZED.
- COVERS ARE DESIGNED FOR APRON LIVE LOADS AS SPECIFIED ON DWG S001 EXCEPT MOBILE CRANE OUTRIGGER LOADING.

Revision/Revision	Description/Description	Date/Date
A	TENDER	2021.01.07

Client/client
PUBLIC WORKS AND GOVERNMENT SERVICES CANADA

Project title/Titre du projet
**ESQUIMALT GRAVING DOCK
825 ADMIRALS ROAD, VICTORIA, BC**

**ESQUIMALT GRAVING DOCK
EAST END EXTENSION AND
SECTION 3 DOCK FLOOR
AND WALL REFURBISHMENT**

Consultant Signature Only

Designed by/Concept par
KU / MGCS

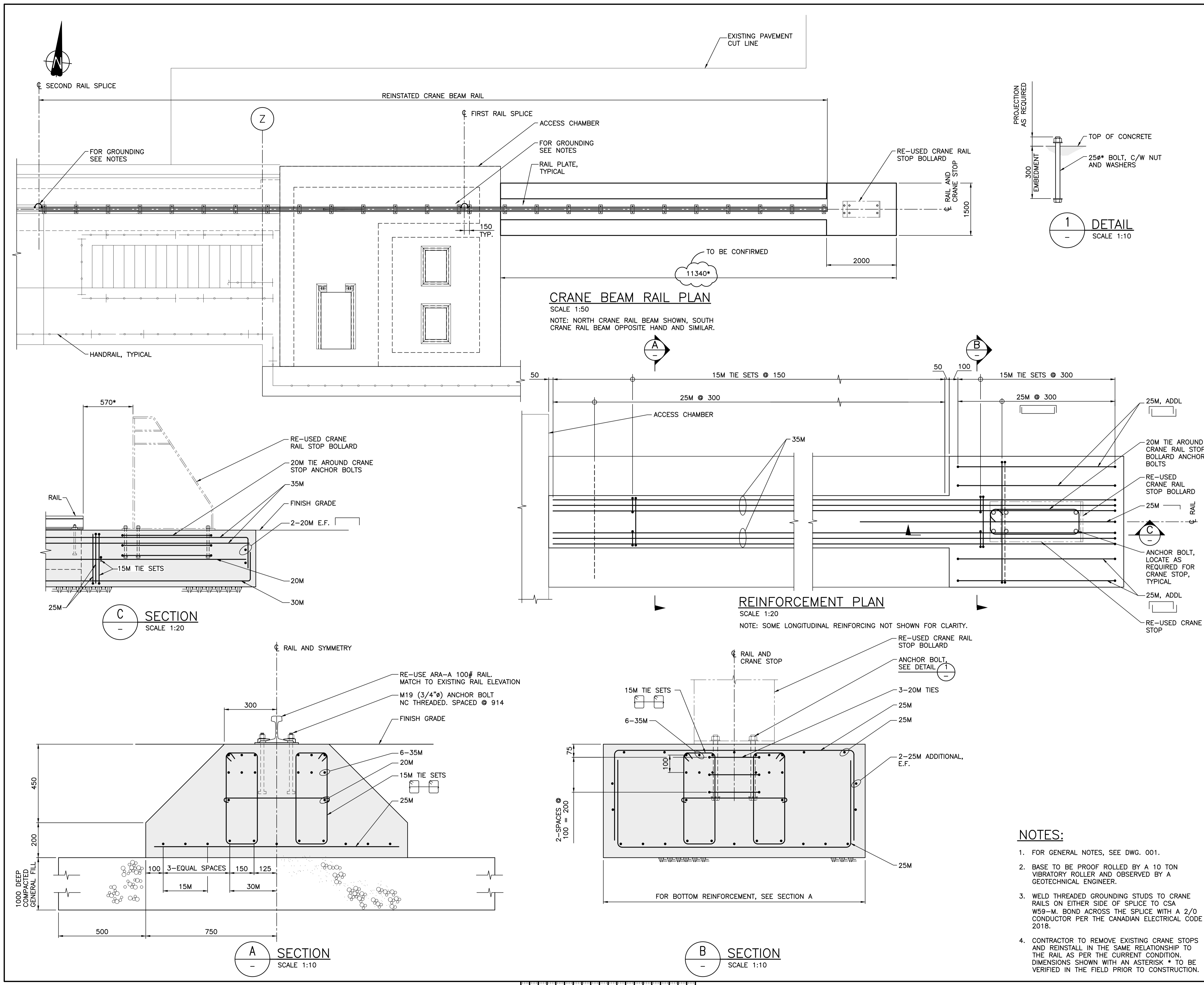
Drawn by/Dessiné par
JJMC

PWGC Project Manager/Administrateur de Projets TPSCG
EUGENE YEUNG

Regional Manager, Architectural and Engineering Services
Regional Manager, Environmental Services
PREETIPAL FAUL

Drawing title/Titre du dessin
**ACCESS CHAMBER -
LADDER OPENING COVER,
HATCH COVER AND
HATCH GRATE**

Project No./No. du projet	Sheet/Fauille	Revision no./La Révision no.
R.096320.002	S303	A



Revision/	Description/Description	Date/Date
C	TENDER	2021.01.07
B	95% REVIEW	2020.07.10
A	75% REVIEW	2020.05.20

Client/client
PUBLIC WORKS AND GOVERNMENT SERVICES CANADA

Project title/Titre du projet
**ESQUIMALT GRAVING DOCK
825 ADMIRALS ROAD, VICTORIA, BC**

**ESQUIMALT GRAVING DOCK
EAST END EXTENSION AND
SECTION 3 DOCK FLOOR
AND WALL REFURBISHMENT**

Consultant Signature Only

Designed by/Concept par
KU / MGCS

Drawn by/Dessiné par
JJMC

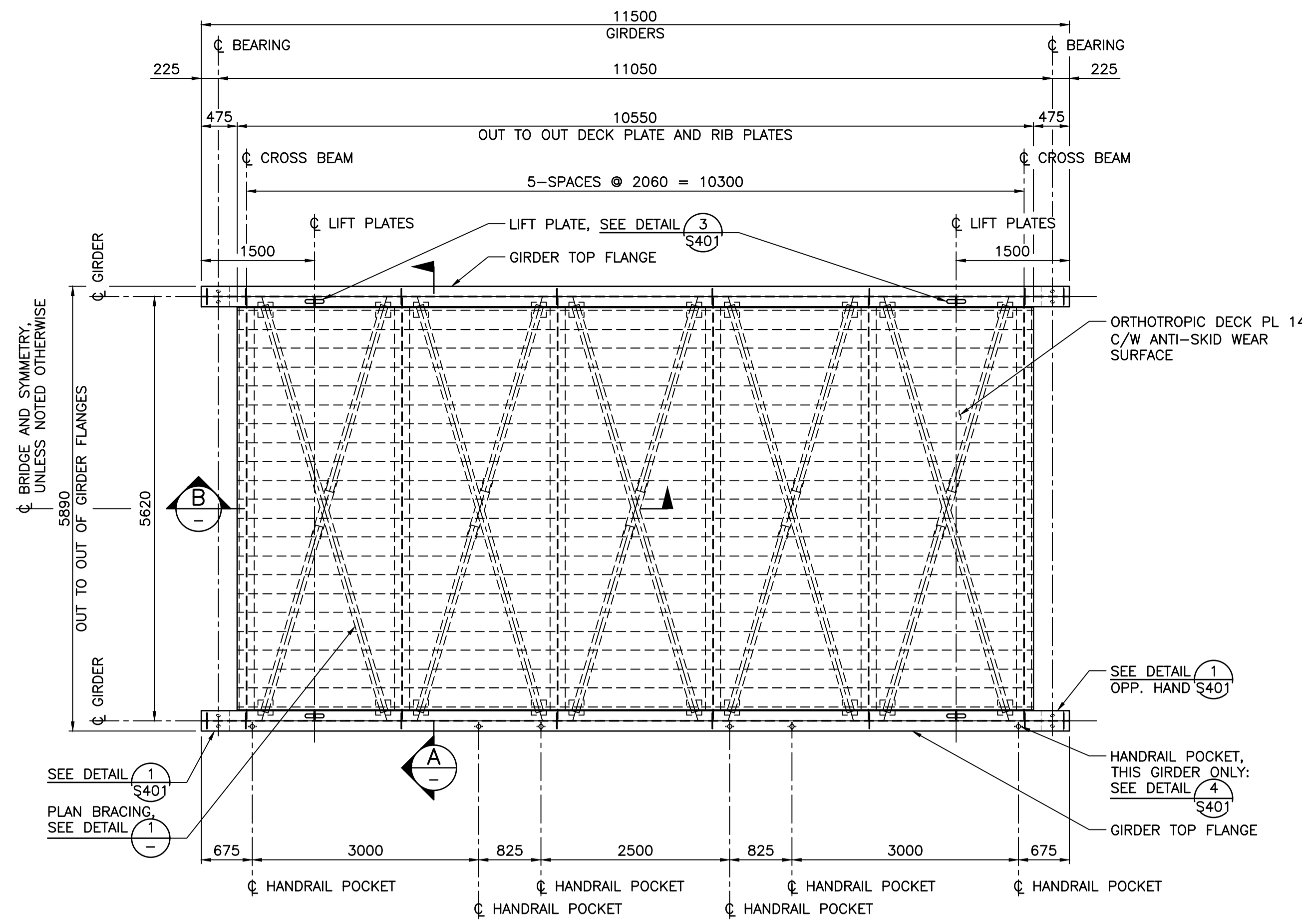
PWGC Project Manager/Administrateur de Projets TPSCG
EUGENE YEUNG

Regional Manager, Architectural and Engineering Services
Regional Manager, Environmental Services
PREETIPAL PAUL

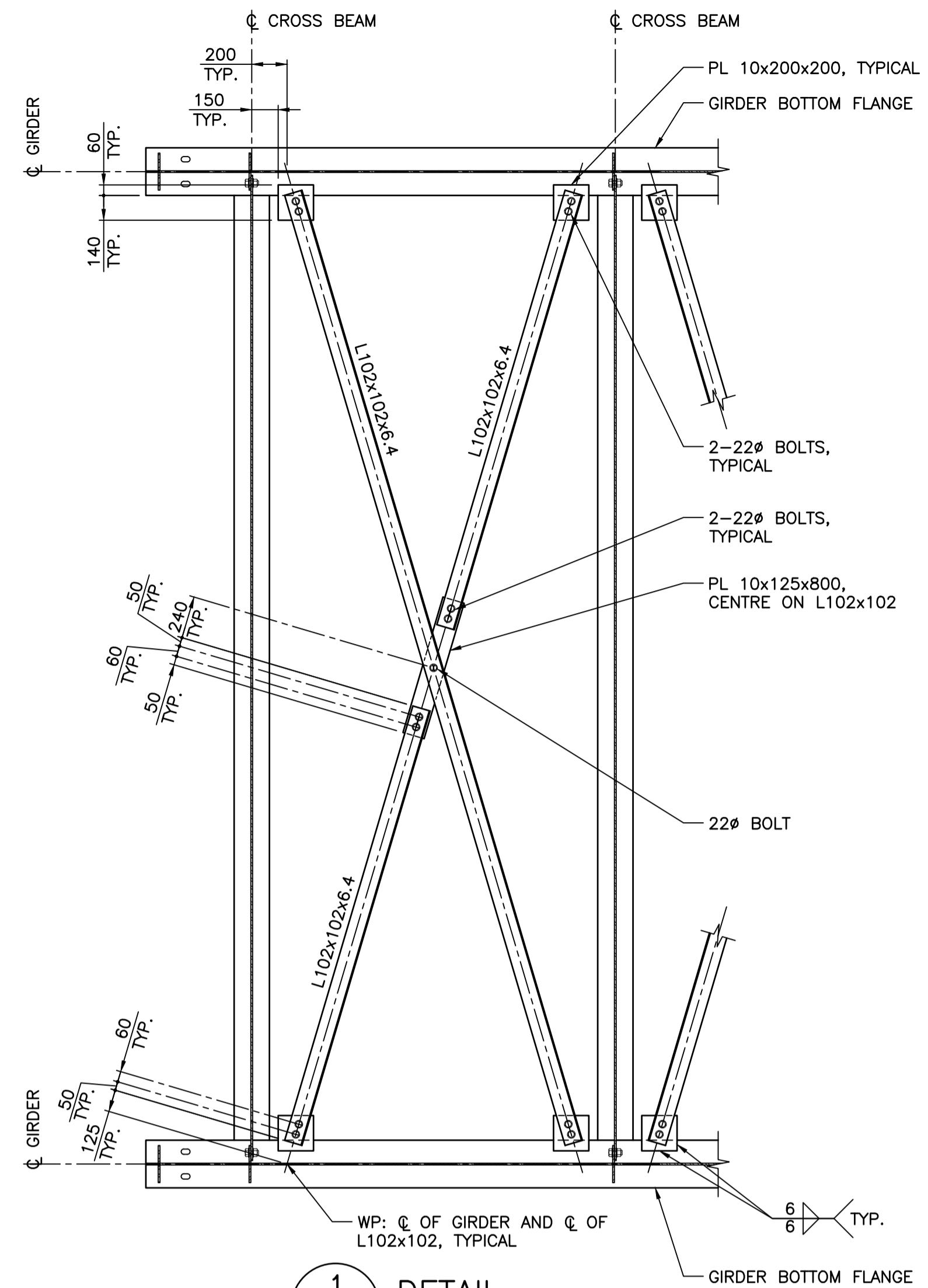
Drawing title/Titre du dessin
CRANE RAIL AND BEAM

Project No./No. du projet	Sheet/Fauille	Revision no./ La Révision no.
R.096320.002	S304	C

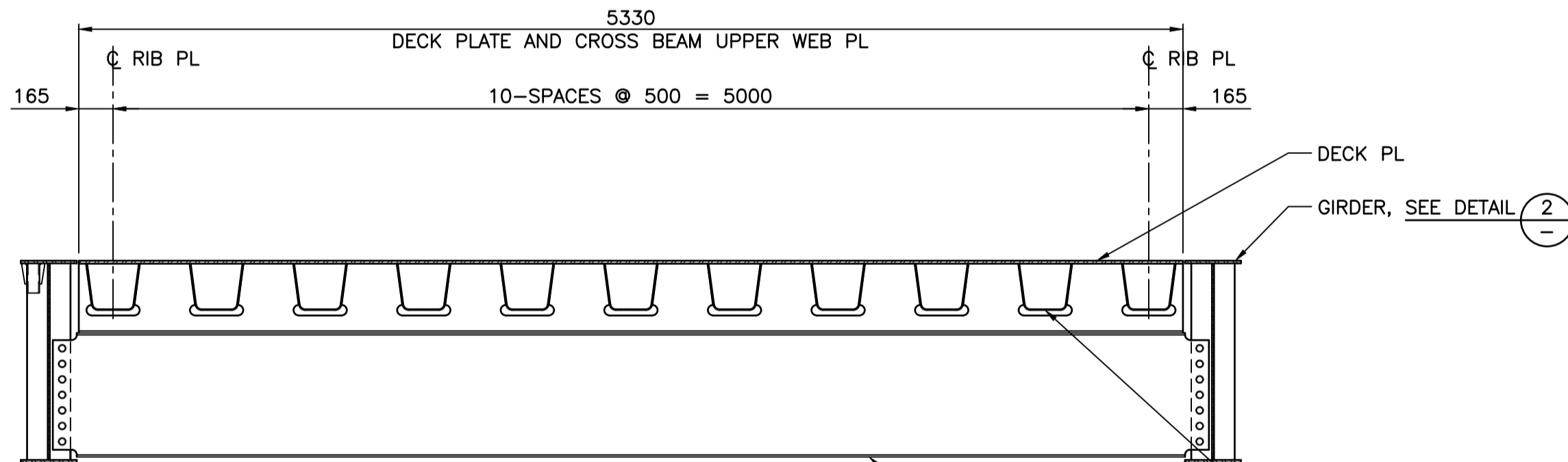
- NOTES:**
- FOR GENERAL NOTES, SEE DWG. 001.
 - BASE TO BE PROOF ROLLED BY A 10 TON VIBRATORY ROLLER AND OBSERVED BY A GEOTECHNICAL ENGINEER.
 - WELD THREADED GROUNDING STUDS TO CRANE RAILS ON EITHER SIDE OF SPLICE TO CSA W59-M. BOND ACROSS THE SPLICE WITH A 2/0 CONDUCTOR PER THE CANADIAN ELECTRICAL CODE 2018.
 - CONTRACTOR TO REMOVE EXISTING CRANE STOPS AND REINSTALL IN THE SAME RELATIONSHIP TO THE RAIL AS PER THE CURRENT CONDITION. DIMENSIONS SHOWN WITH AN ASTERISK * TO BE VERIFIED IN THE FIELD PRIOR TO CONSTRUCTION.



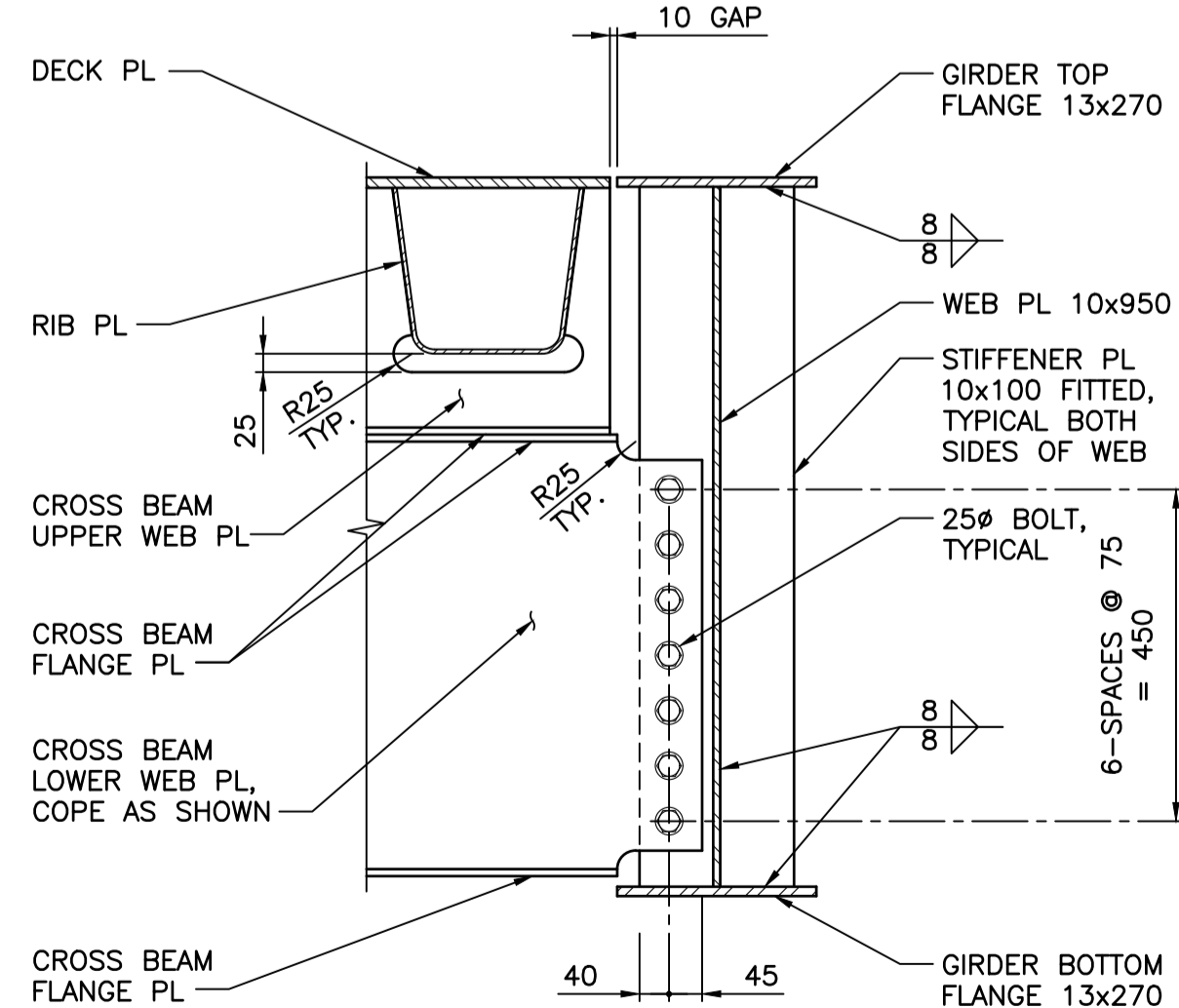
PLAN
SCALE 1:50
NOTE: APPROXIMATE BRIDGE WEIGHT: 17 TONNES.



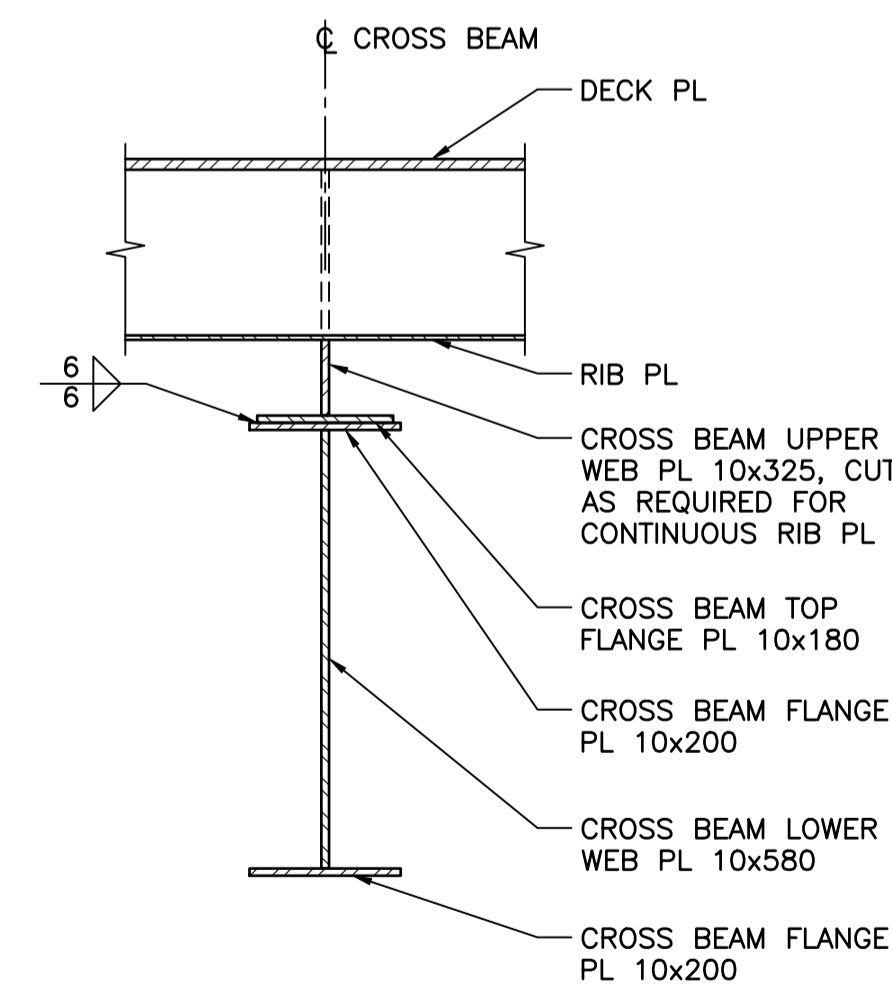
1 DETAIL
SCALE 1:25
NOTE: 5-LOCATIONS, TYPICAL.



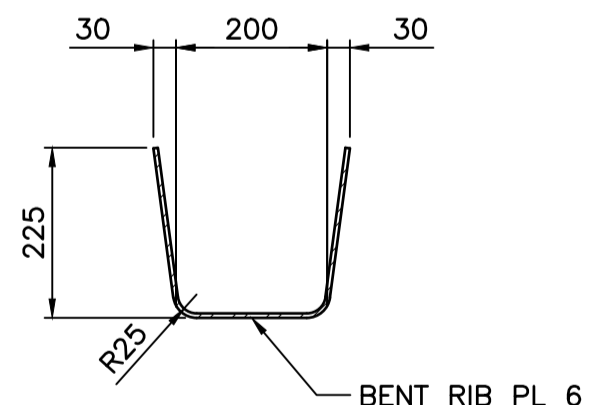
A SECTION
SCALE 1:25
NOTE: PLAN BRACING NOT SHOWN.



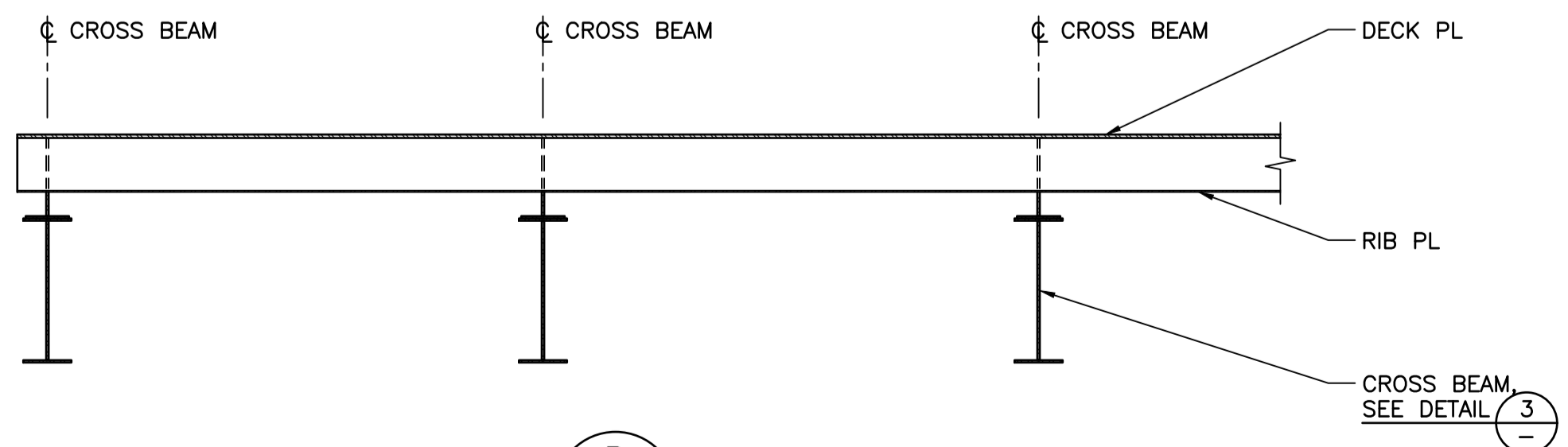
2 DETAIL
SCALE 1:10



3 DETAIL
SCALE 1:10



4 DETAIL
SCALE 1:10



B SECTION
SCALE 1:25
NOTE: PLAN BRACING NOT SHOWN.

Revision/	Description/Description	Date/Date
C	TENDER	2021.01.07
B	95% REVIEW	2020.07.10
A	75% REVIEW	2020.05.20

Client/client

PUBLIC WORKS AND GOVERNMENT SERVICES CANADA

Project title/Titre du projet
**ESQUIMALT GRAVING DOCK
825 ADMIRALS ROAD, VICTORIA, BC**

**ESQUIMALT GRAVING DOCK
EAST END EXTENSION AND
SECTION 3 DOCK FLOOR
AND WALL REFURBISHMENT**

Consultant Signature Only

Designed by/Concept par
KU / MGCS

Drawn by/Dessiné par
JJMC

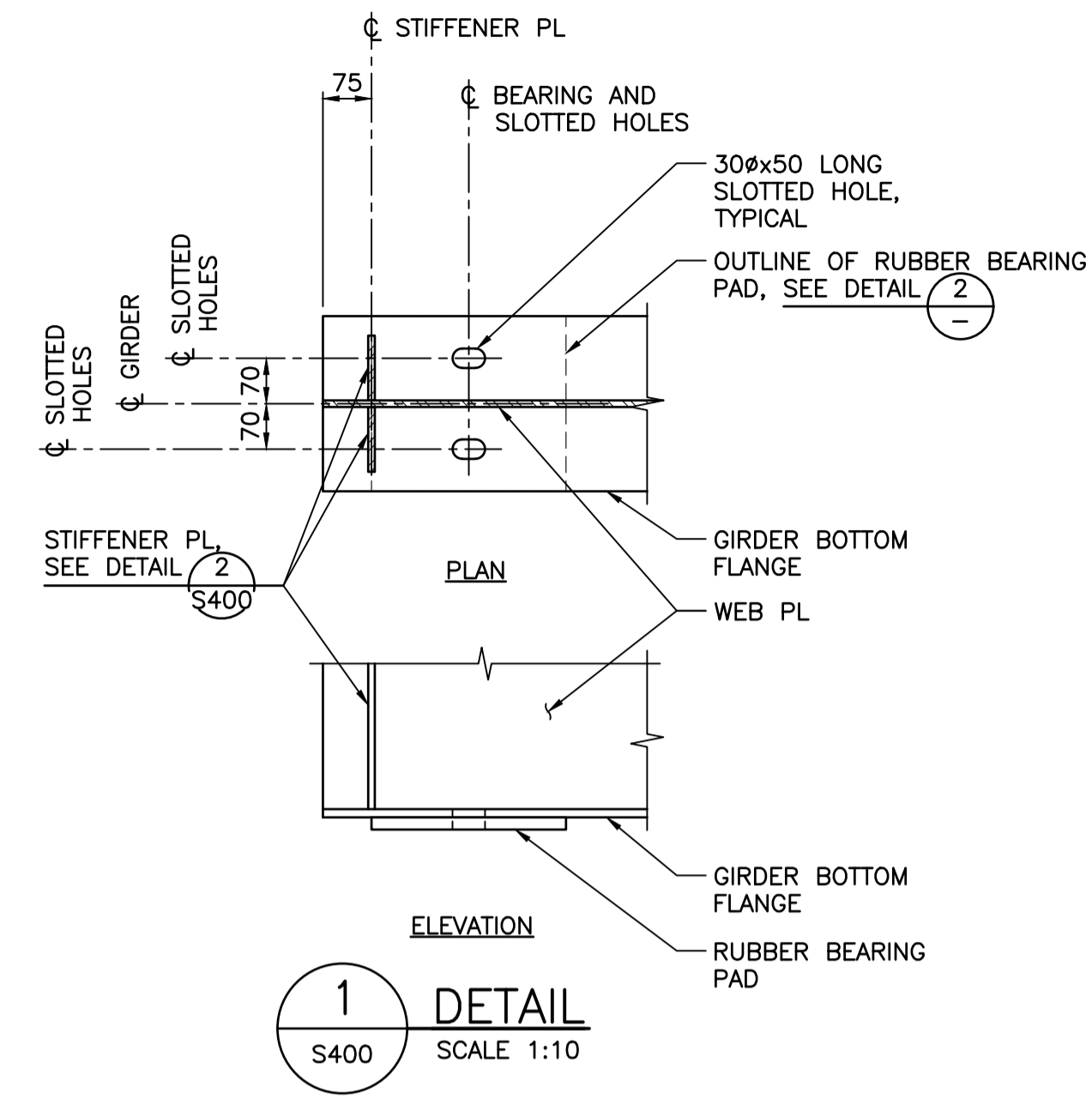
PWGC Project Manager/Administrateur de Projets TPSCG
EUGENE YEUNG

Regional Manager, Architectural and Engineering Services
Regional Manager, Environmental Services
PREETIPAL PAUL

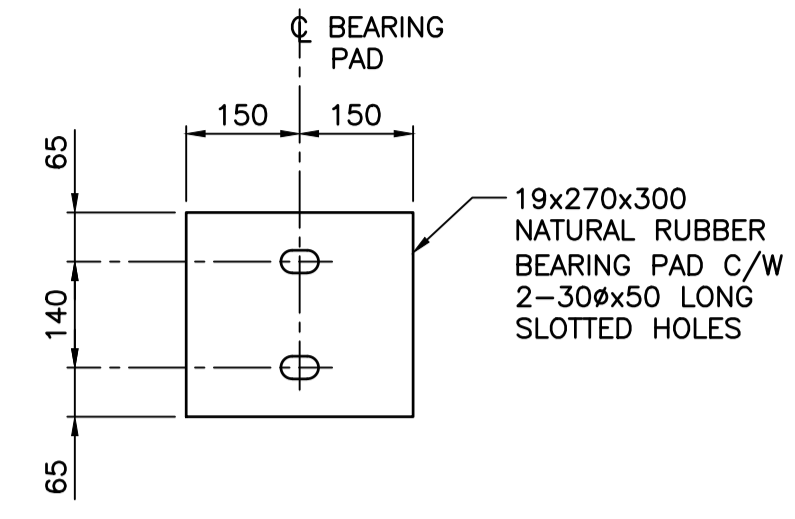
Drawing title/Titre du dessin
REMOVABLE BRIDGE - SHEET 1

Project No./No. du projet	Sheet/Fauille	Revision no./La Révision no.
R.096320.002	S400	C

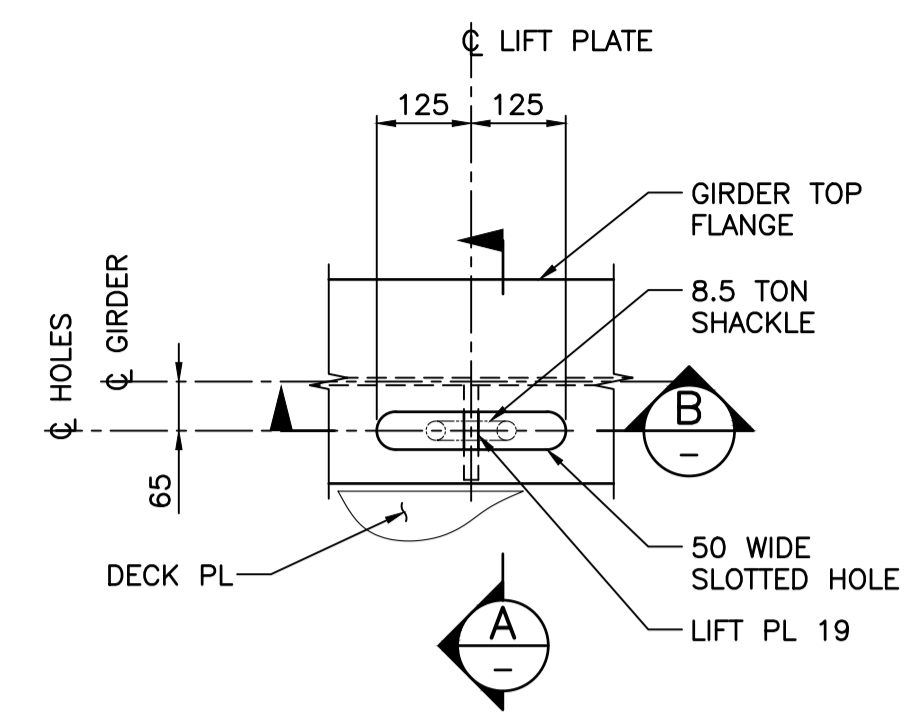
NOTES:
1. FOR GENERAL NOTES, SEE DWG. S01.



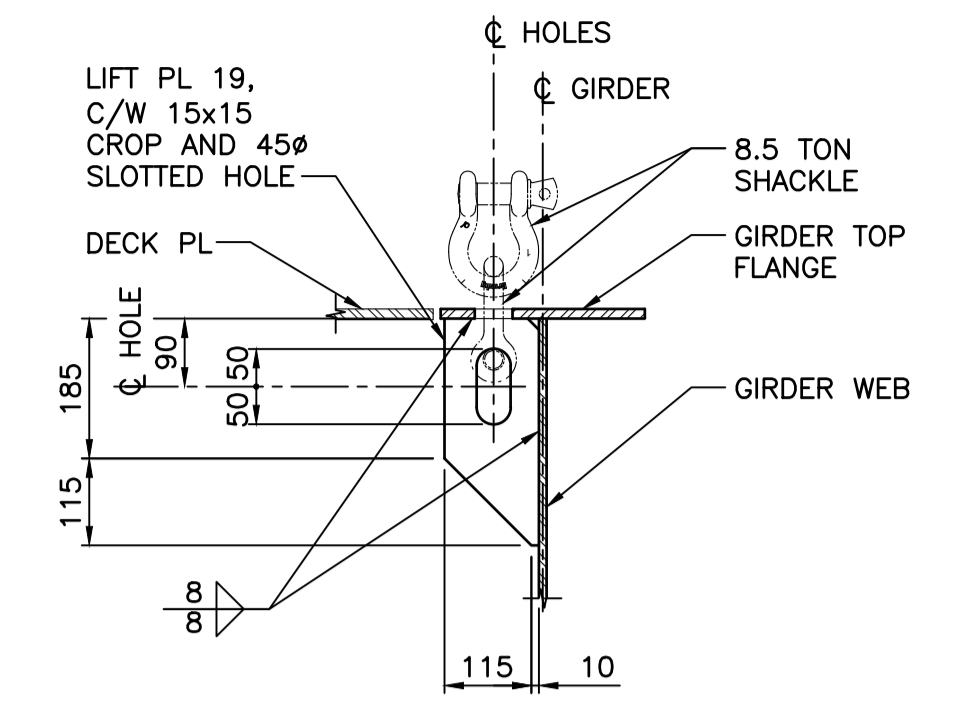
1 DETAIL
S400 SCALE 1:10



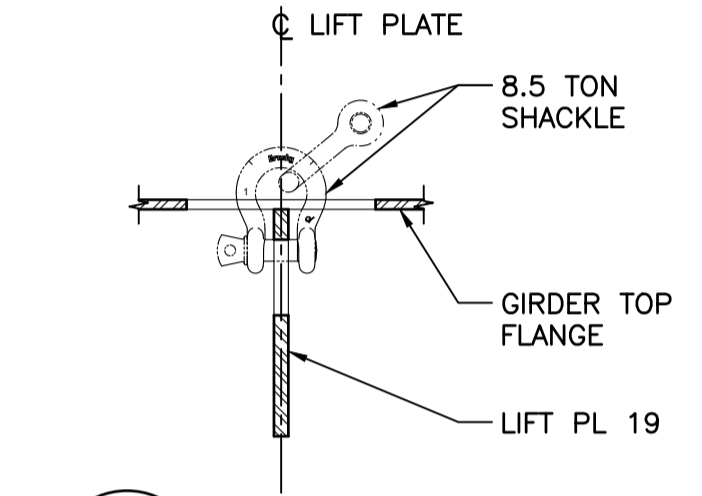
2 DETAIL
SCALE 1:10
NOTE: 4--REQUIRED.



3 DETAIL
S400 SCALE 1:10

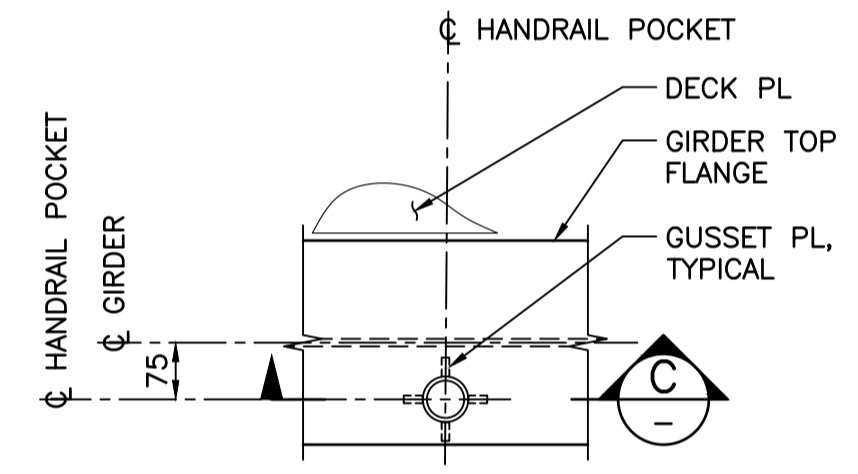


A SECTION
SCALE 1:10

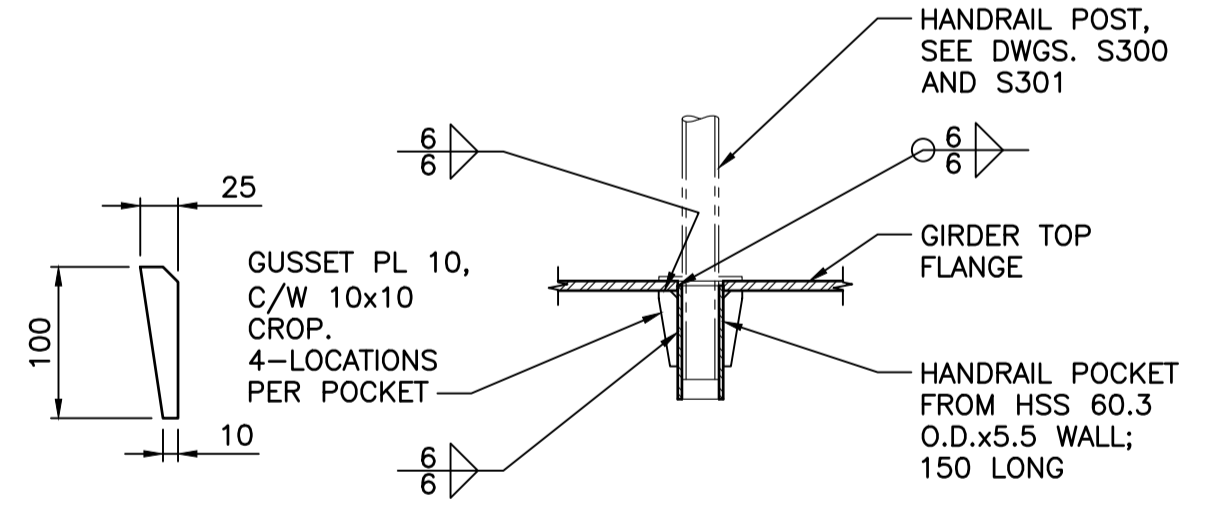


B SECTION
SCALE 1:10

CONTRACTOR IS RESPONSIBLE FOR FIT COMPATIBILITY OF ALL CHAINS, FITTINGS AND METAL FABRICATIONS.



4 DETAIL
S400 SCALE 1:10



C SECTION
SCALE 1:10



Revision/	Description/Description	Date/Date
A	TENDER	2021.01.07

Client/client
PUBLIC WORKS AND GOVERNMENT SERVICES CANADA

Project title/Titre du projet
**ESQUIMALT GRAVING DOCK
825 ADMIRALS ROAD, VICTORIA, BC**

**ESQUIMALT GRAVING DOCK
EAST END EXTENSION AND
SECTION 3 DOCK FLOOR
AND WALL REFURBISHMENT**

Consultant Signature Only

Designed by/Concept par
KU / MGCS

Drawn by/Dessiné par
JJMC

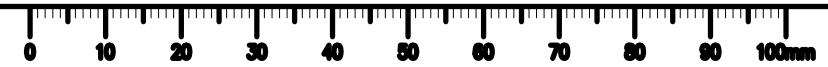
PWGSC Project Manager/Administrateur de Projets TPSGC
EUGENE YEUNG

Regional Manager, Architectural and Engineering Services
Regional Manager, Environmental Services
PREETIPAL FAUL

Drawing title/Titre du dessin
**REMOVABLE BRIDGE -
SHEET 2**

Project No./No. du projet	Sheet/Feuille	Revision no./La Révision no.
R.096320.002	S401	A

NOTES:
1. FOR GENERAL NOTES, SEE DWG. S01.





Revision/Revision	Description/Description	Date/Date
C	TENDER	2021.01.07
B	90% REVIEW	2020.07.10
A	75% REVIEW	2020.05.20

Client/client
PUBLIC WORKS AND GOVERNMENT SERVICES CANADA

Project title/Titre du projet
**ESQUIMALT GRAVING DOCK
 825 ADMIRALS ROAD, VICTORIA, BC**

**ESQUIMALT GRAVING DOCK
 EAST END EXTENSION AND
 SECTION 3 DOCK FLOOR
 AND WALL REFURBISHMENT**

Consultant Signature Only

Designed by/Concept par
 CTA

Drawn by/Dessiné par
 ADS/JJMC

PWGSC Project Manager/Administrateur de Projets TPSGC
 EUGENE YEUNG

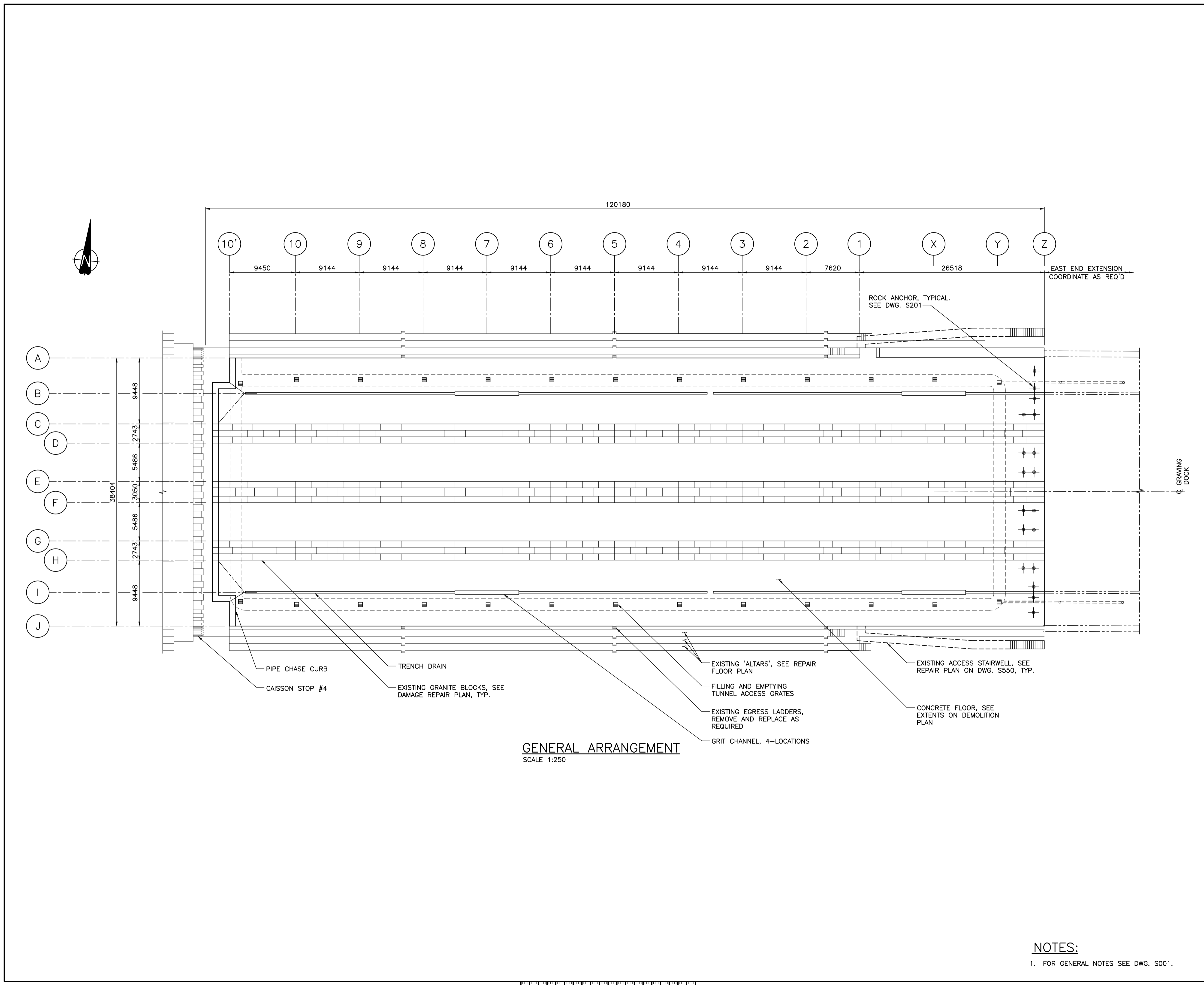
Regional Manager, Architectural and Engineering Services
 Regional Manager, Environmental Services
 PREETIPAL PAUL

Drawing title/Titre du dessin

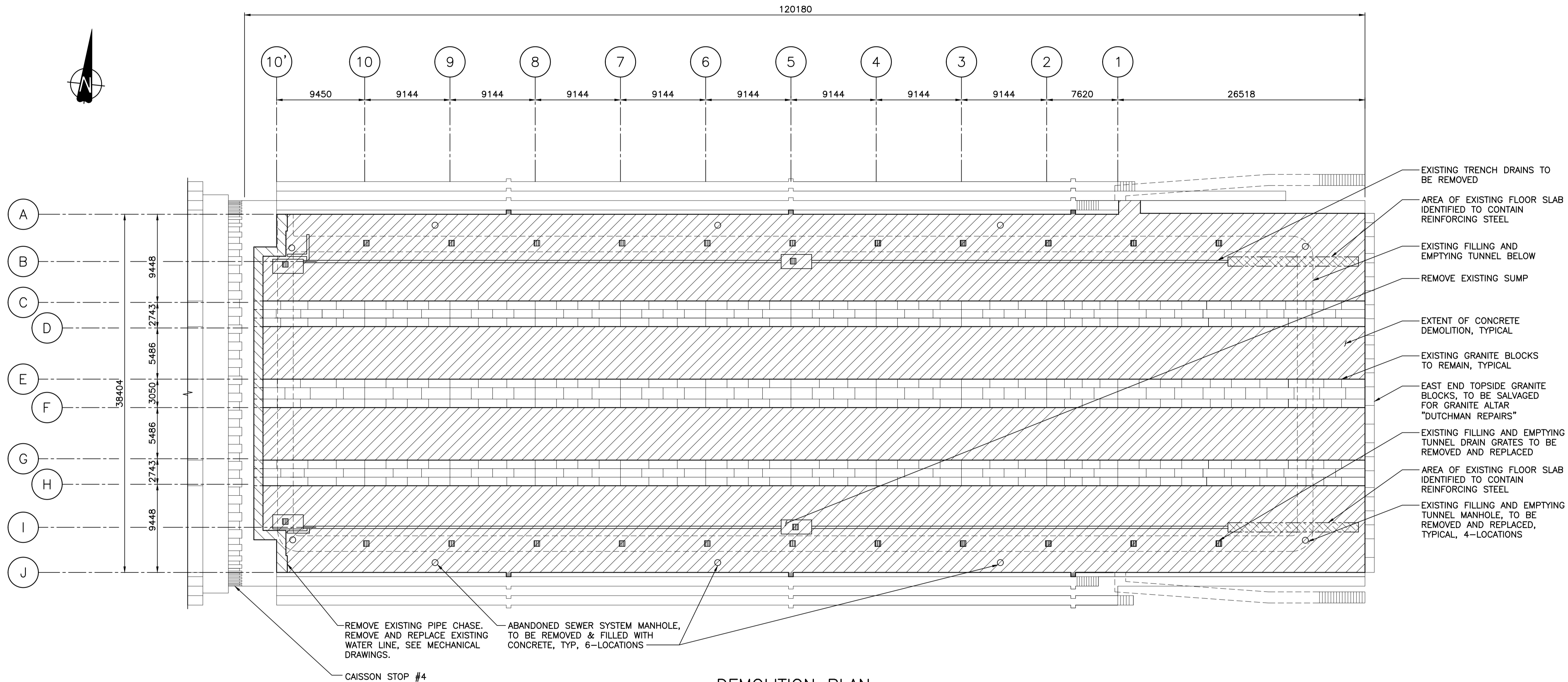
**CONCRETE REFURBISHMENT -
 GENERAL ARRANGEMENT**

Project No./No. du projet	Sheet/Feuille	Revision no./La Révision no.
R.096320.002	S500	C

NOTES:
 1. FOR GENERAL NOTES SEE DWG. S001.



GENERAL ARRANGEMENT
 SCALE 1:250



- EXISTING TRENCH DRAINS TO BE REMOVED
- AREA OF EXISTING FLOOR SLAB IDENTIFIED TO CONTAIN REINFORCING STEEL
- EXISTING FILLING AND EMPTYING TUNNEL BELOW
- REMOVE EXISTING SUMP
- EXTENT OF CONCRETE DEMOLITION, TYPICAL
- EXISTING GRANITE BLOCKS TO REMAIN, TYPICAL
- EAST END TOPSIDE GRANITE BLOCKS, TO BE SALVAGED FOR GRANITE ALTAR "DUTCHMAN REPAIRS"
- EXISTING FILLING AND EMPTYING TUNNEL DRAIN GRATES TO BE REMOVED AND REPLACED
- AREA OF EXISTING FLOOR SLAB IDENTIFIED TO CONTAIN REINFORCING STEEL
- EXISTING FILLING AND EMPTYING TUNNEL MANHOLE, TO BE REMOVED AND REPLACED, TYPICAL, 4-LOCATIONS

- REMOVE EXISTING PIPE CHASE. REMOVE AND REPLACE EXISTING WATER LINE, SEE MECHANICAL DRAWINGS.
- CAISSON STOP #4
- ABANDONED SEWER SYSTEM MANHOLE, TO BE REMOVED & FILLED WITH CONCRETE, TYP, 6-LOCATIONS

DEMOLITION PLAN
SCALE 1:250



Revision/	Description/Description	Date/Date
B	90% REVIEW	2021.01.07
A	75% REVIEW	2020.05.20

Client/client
PUBLIC WORKS AND GOVERNMENT SERVICES CANADA

Project title/Titre du projet
**ESQUIMALT GRAVING DOCK
825 ADMIRALS ROAD, VICTORIA, BC**

**ESQUIMALT GRAVING DOCK
EAST END EXTENSION AND
SECTION 3 DOCK FLOOR
AND WALL REFURBISHMENT**

Consultant Signature Only

Designed by/Concept par
CTA

Drawn by/Dessiné par
ADS/JJMC

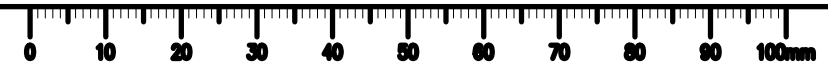
PWGSC Project Manager/Administrateur de Projets TPSGC
EUGENE YEUNG

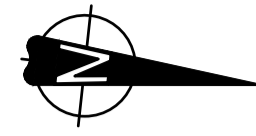
Regional Manager, Architectural and Engineering Services
Regional Manager, Environmental Services
PREETIPAL FAUL

Drawing title/Titre du dessin
**CONCRETE REFURBISHMENT
DEMOLITION PLAN**

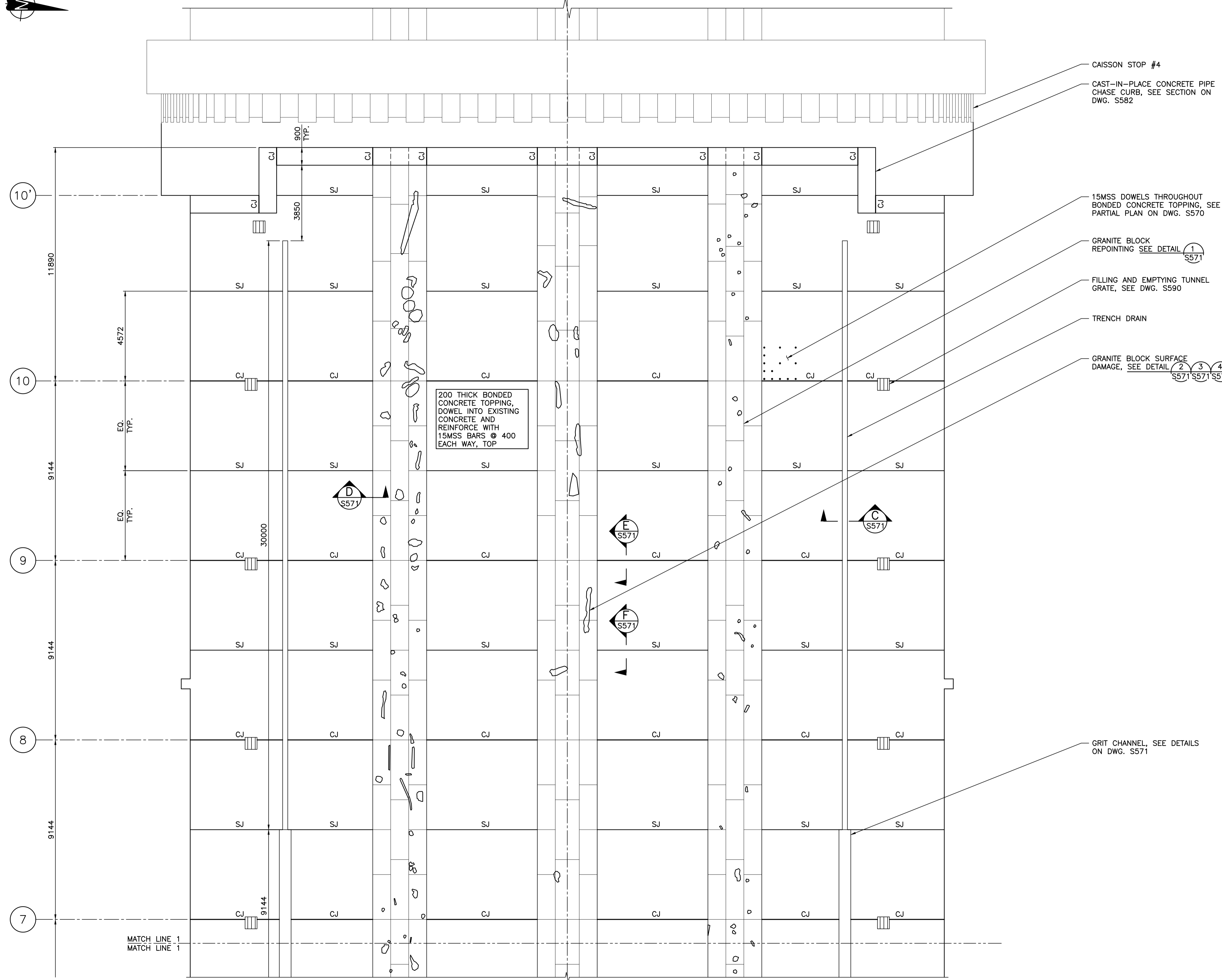
Project No./No. du projet	Sheet/Feuille	Revision no./La Révision no.
R.096320.002	S510	B

NOTES:
1. FOR GENERAL NOTES SEE DWG. S001.





GRAVING DOCK



200 THICK BONDED CONCRETE TOPPING, DOWEL INTO EXISTING CONCRETE AND REINFORCE WITH 15MSS BARS @ 400 EACH WAY, TOP

CAISSON STOP #4
CAST-IN-PLACE CONCRETE PIPE CHASE CURB, SEE SECTION ON DWG. S582

15MSS DOWELS THROUGHOUT BONDED CONCRETE TOPPING, SEE PARTIAL PLAN ON DWG. S570

GRANITE BLOCK REPOINTING SEE DETAIL 1 S571

FILLING AND EMPTYING TUNNEL GRATE, SEE DWG. S590

TRENCH DRAIN

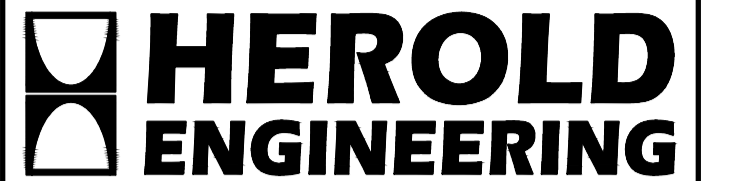
GRANITE BLOCK SURFACE DAMAGE, SEE DETAIL 2 3 4 S571 S571 S571

GRIT CHANNEL, SEE DETAILS ON DWG. S571

MATCH LINE 1
MATCH LINE 1

PARTIAL REPAIR PLAN - WEST END TO MARKER 7
SCALE 1:100

NOTES:
1. FOR GENERAL NOTES SEE DWG. S001.



HEL JOB FILE: 3191-017



Revision/	Description/Description	Date/Date
C	TENDER	2021.01.07
B	90% REVIEW	2020.07.10
A	75% REVIEW	2020.05.20

Client/client
PUBLIC WORKS AND GOVERNMENT SERVICES CANADA

Project title/Titre du projet
**ESQUIMALT GRAVING DOCK
825 ADMIRALS ROAD, VICTORIA, BC**

**ESQUIMALT GRAVING DOCK
EAST END EXTENSION AND
SECTION 3 DOCK FLOOR
AND WALL REFURBISHMENT**

Consultant Signature Only

Designed by/Concept par
CTA

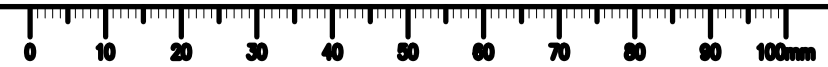
Drawn by/Dessiné par
ADS/JJMC

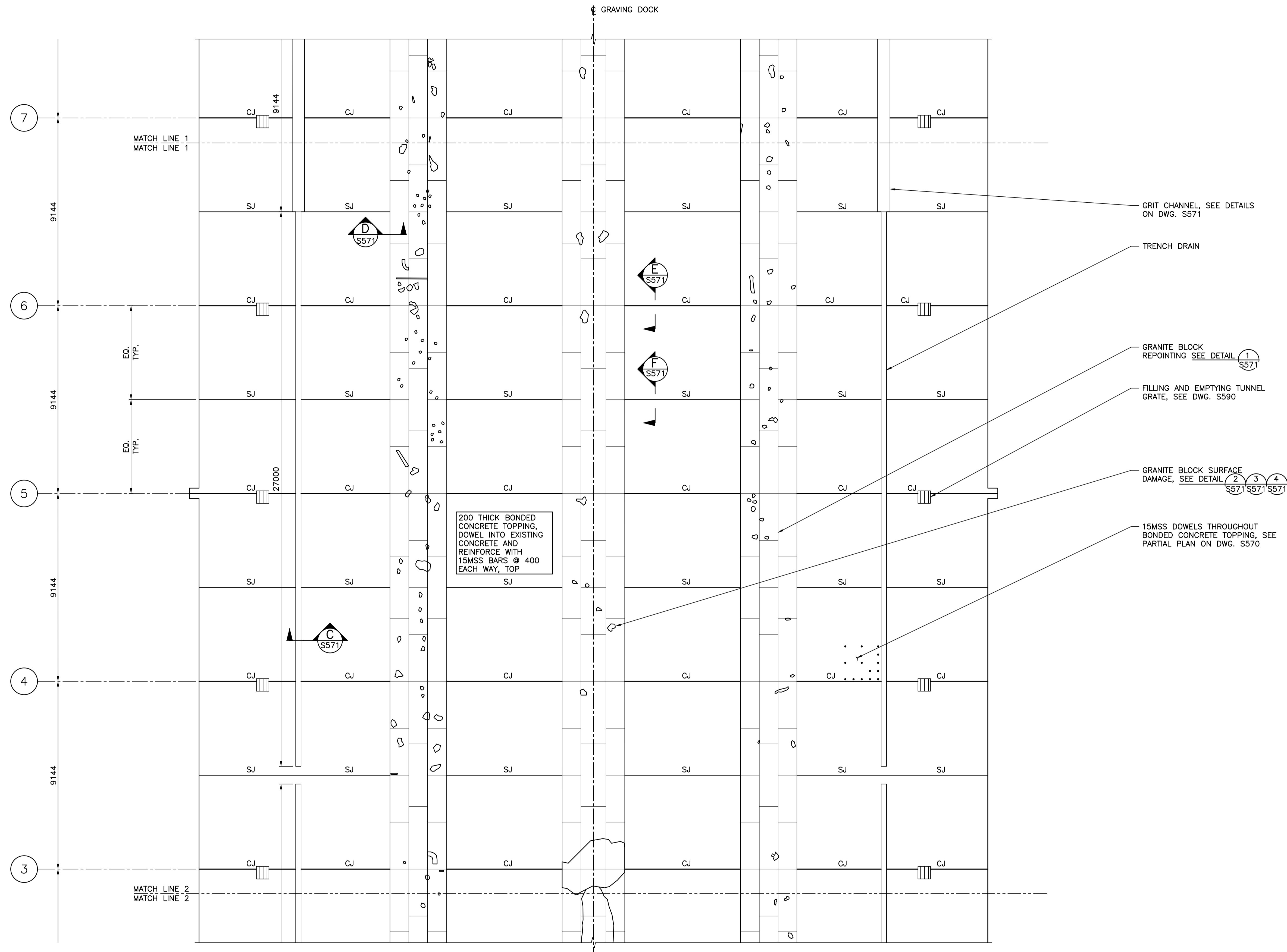
PWGC Project Manager/Administrateur de Projets TPSCG
EUGENE YEUNG

Regional Manager, Architectural and Engineering Services
Regional Manager, Environmental Services
PREETIPAL PAUL

Drawing title/Titre du dessin
FLOOR REPAIR PLAN - SHEET 1

Project No./No. du projet R.096320.002	Sheet/Feuille S520	Revision no./ La Révision no. C
--	------------------------------	--





PARTIAL REPAIR PLAN – MARKER 7 TO MARKER 3
SCALE 1:100

NOTES:
1. FOR GENERAL NOTES SEE DWG. S001.

Revision/	Description/Description	Date/Date
C	TENDER	2021.01.07
B	90% REVIEW	2020.07.10
A	75% REVIEW	2020.05.20

Client/client
PUBLIC WORKS AND GOVERNMENT SERVICES CANADA

Project title/Titre du projet
**ESQUIMALT GRAVING DOCK
825 ADMIRALS ROAD, VICTORIA, BC**

**ESQUIMALT GRAVING DOCK
EAST END EXTENSION AND
SECTION 3 DOCK FLOOR
AND WALL REFURBISHMENT**

Consultant Signature Only

Designed by/Concept par
CTA

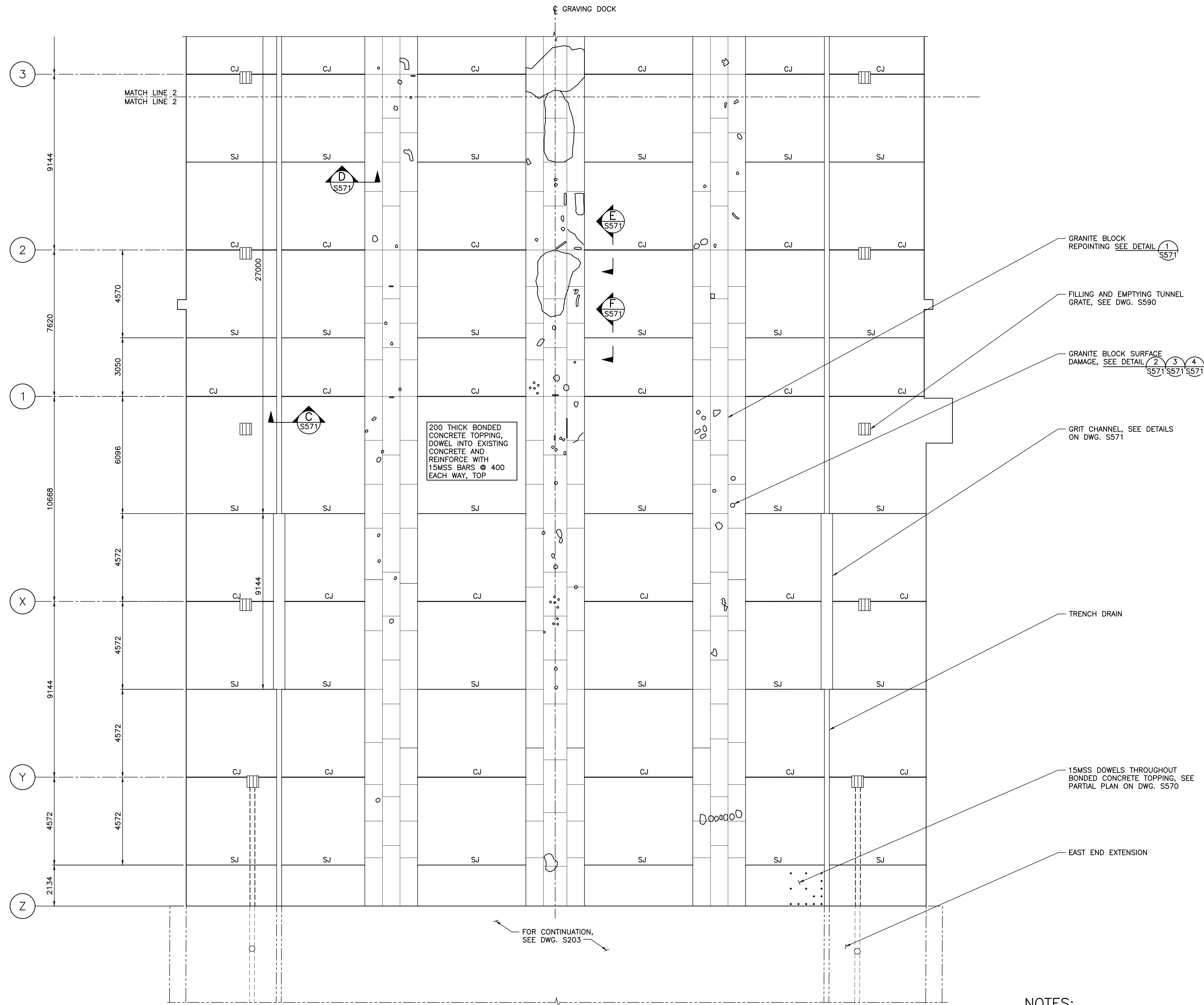
Drawn by/Dessiné par
ADS/JJMC

PWGC Project Manager/Administrateur de Projets TPSGC
EUGENE YEUNG

Regional Manager, Architectural and Engineering Services
Regional Manager, Environmental Services
PREETIPAL PAUL

Drawing title/Titre du dessin
FLOOR REPAIR PLAN - SHEET 2

Project No./No. du projet R.096320.002	Sheet/Feuille S521	Revision no./La Révision no. C
--	------------------------------	--



PARTIAL REPAIR PLAN - MARKER 7 TO EAST END
SCALE 1:100

NOTES:
1. FOR GENERAL NOTES SEE DWG. S001.



Revision/	Description/Description	Date/Date
C	TENDER	2021.01.07
B	90% REVIEW	2020.07.10
A	75% REVIEW	2020.05.20

Client/client
PUBLIC WORKS AND GOVERNMENT SERVICES CANADA

Project title/Titre du projet
**ESQUIMALT GRAVING DOCK
825 ADMIRALS ROAD, VICTORIA, BC**

**ESQUIMALT GRAVING DOCK
EAST END EXTENSION AND
SECTION 3 DOCK FLOOR
AND WALL REFURBISHMENT**

Consultant Signature Only

Designed by/Concept par
CTA

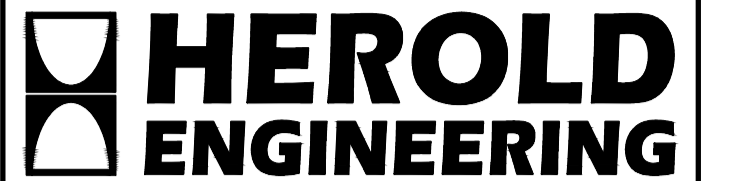
Drawn by/Dessiné par
ADS/JJM

PWGC Project Manager/Administrateur de Projets TPSGC
EUGENE YEUNG

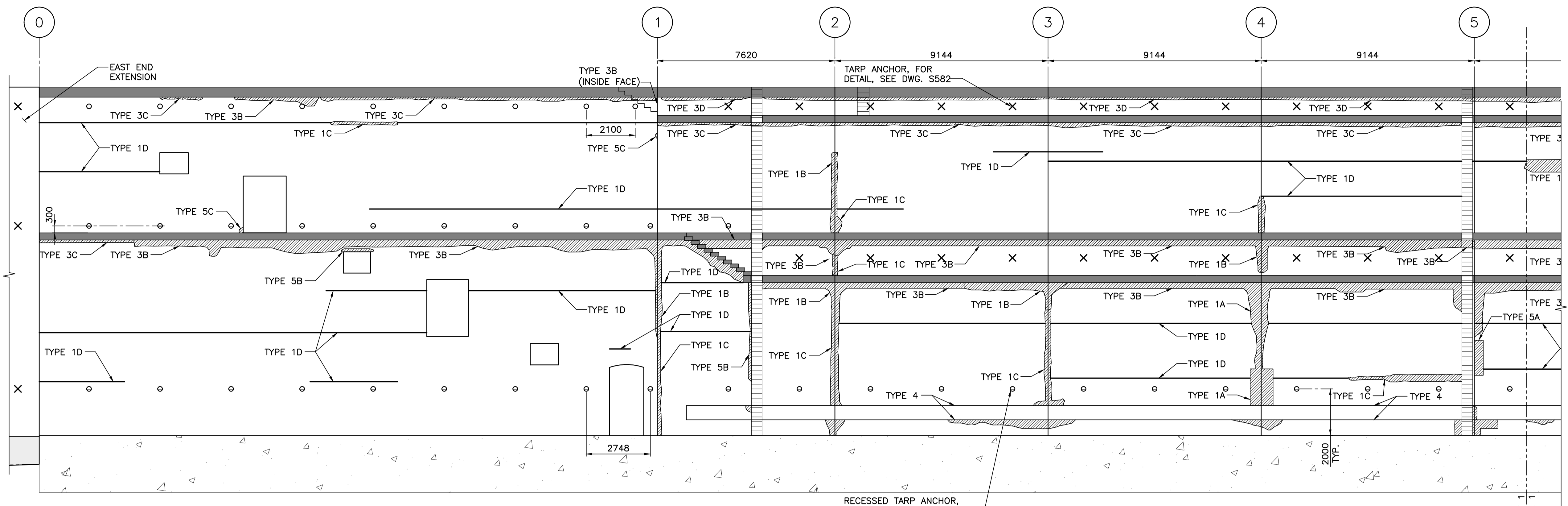
Regional Manager, Architectural and Engineering Services
Regional Manager, Environmental Services
PREETIPAL PAUL

Drawing title/Titre du dessin
FLOOR REPAIR PLAN - SHEET 3

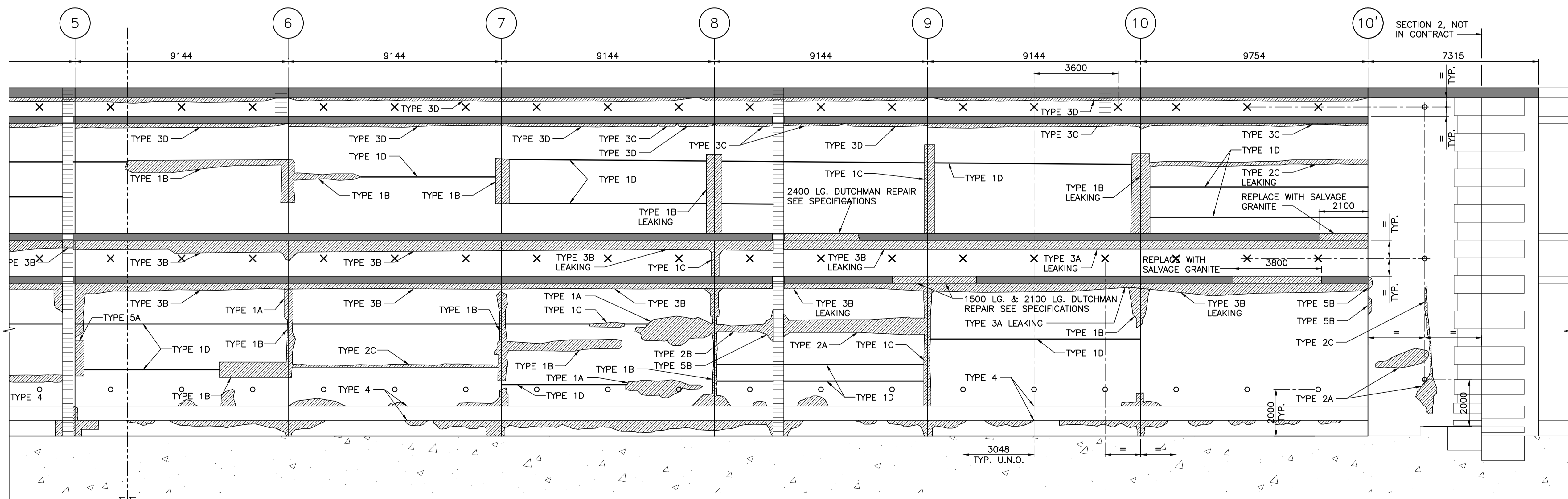
Project No./No. du projet R.096320.002	Sheet/Feuille S522	Revision no./ La Révision no. C
--	------------------------------	--



HEL JOB FILE: 3191-017



PARTIAL ELEVATION - SECTION 3 SOUTH WALL
SCALE 1:100



PARTIAL ELEVATION - SECTION 3 SOUTH WALL
SCALE 1:100



Revision/	Description/Description	Date/Date
C	TENDER	2021.01.07
B	90% REVIEW	2020.07.10
A	75% REVIEW	2020.05.20

Client/client
PUBLIC WORKS AND GOVERNMENT SERVICES CANADA

Project title/Titre du projet
**ESQUIMALT GRAVING DOCK
825 ADMIRALS ROAD, VICTORIA, BC**

**ESQUIMALT GRAVING DOCK
EAST END EXTENSION AND
SECTION 3 DOCK FLOOR
AND WALL REFURBISHMENT**

Consultant Signature Only

Designed by/Conçue par
CTA

Drawn by/Dessiné par
ADS/JJM

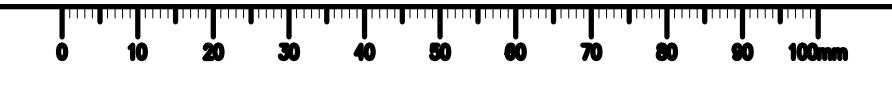
PWGC Project Manager/Administrateur de Projets TPSC
EUGENE YEUNG

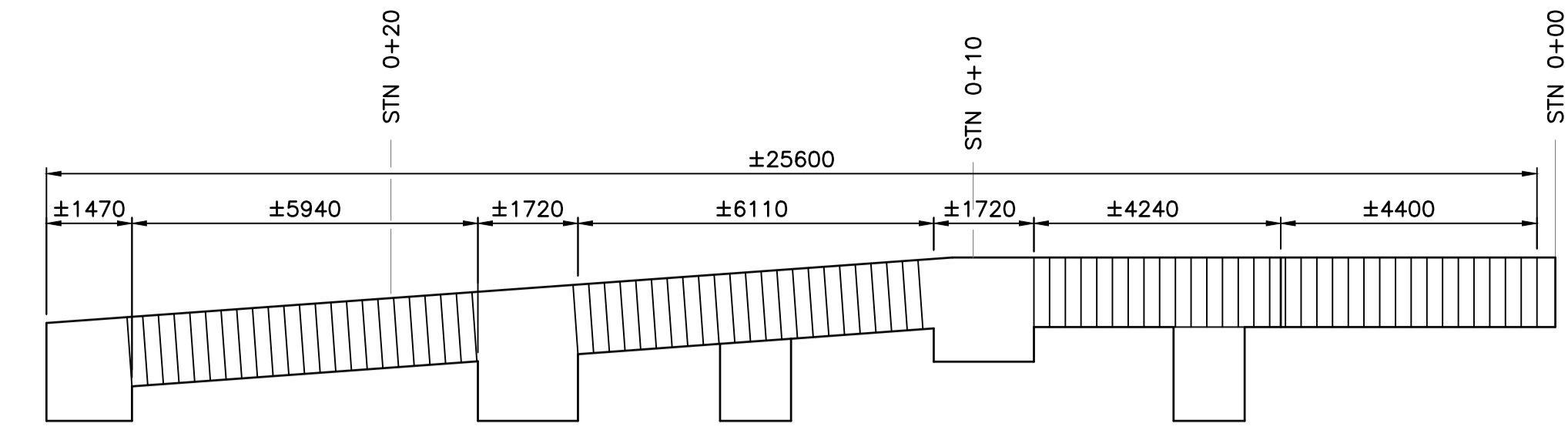
Regional Manager, Architectural and Engineering Services
Regional Manager, Environmental Services
PREETIPAL PAUL

Drawing title/Titre du dessin
SOUTH WALL REPAIR

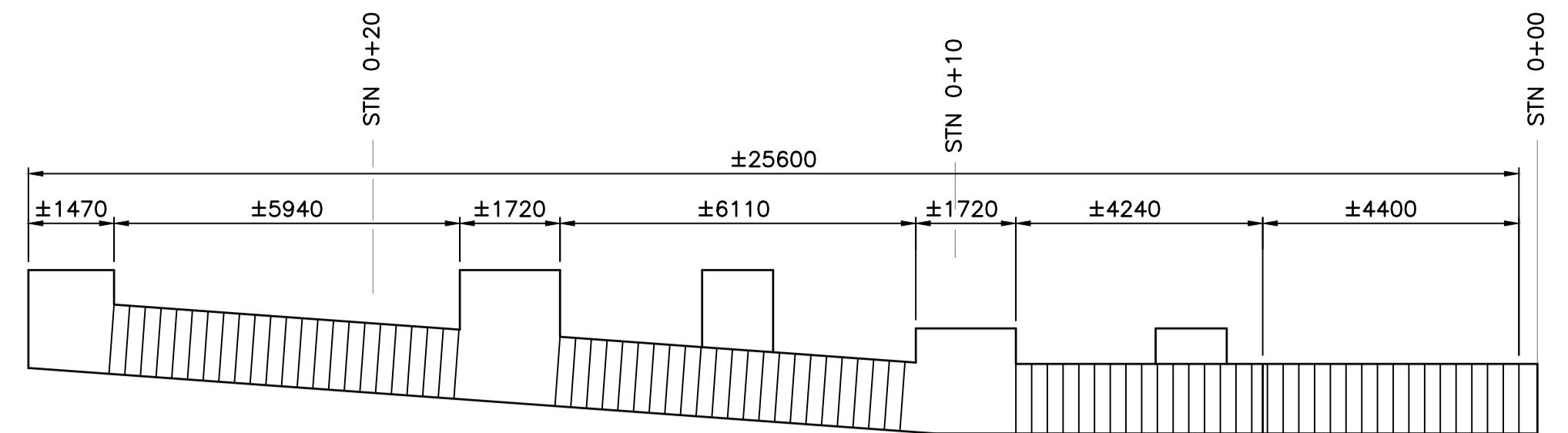
Project No./No. du projet	Sheet/Fauille	Revision no./La Révision no.
R.096320.002	S540	C

NOTES:
1. FOR GENERAL NOTES SEE DWG. S001.

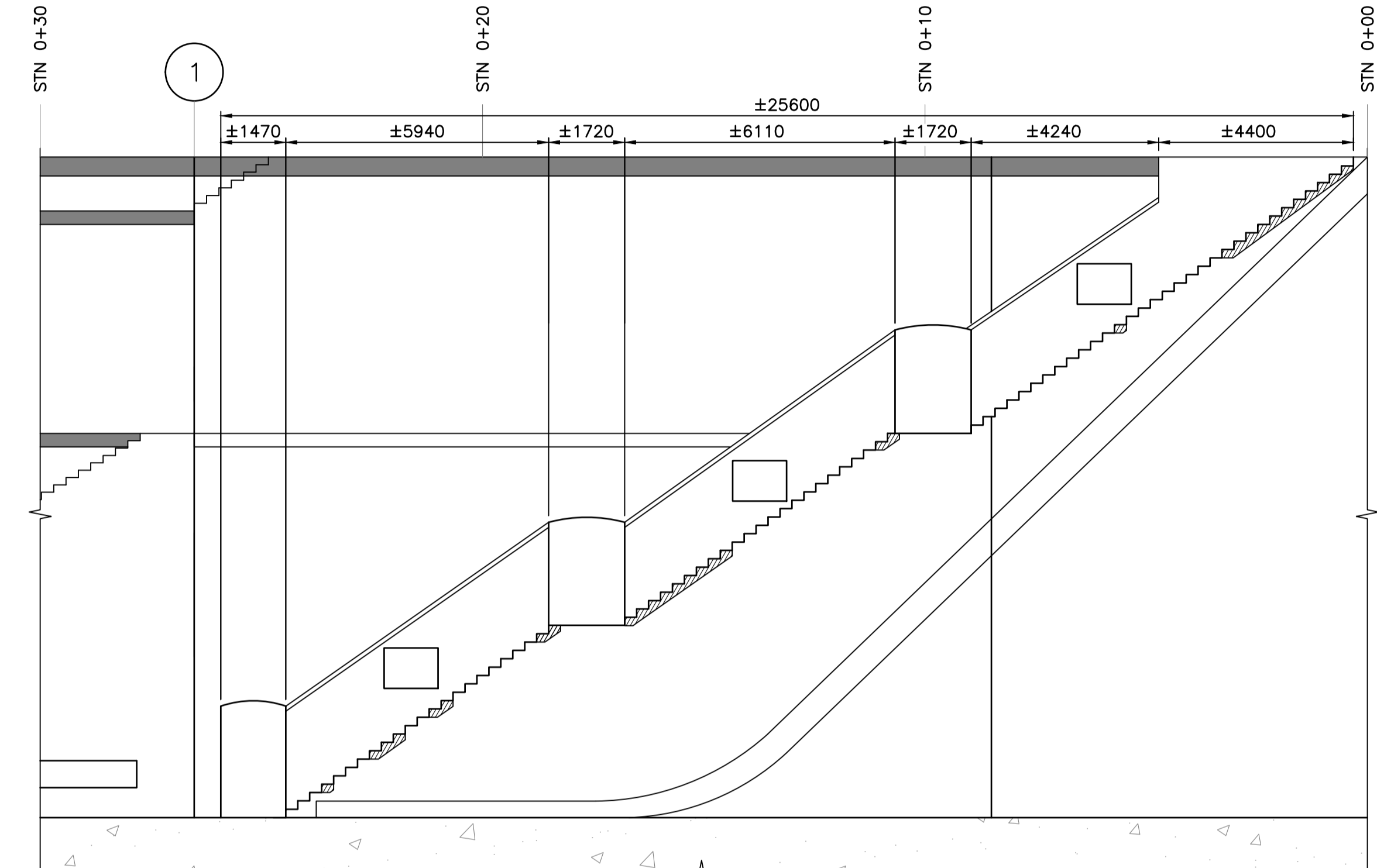




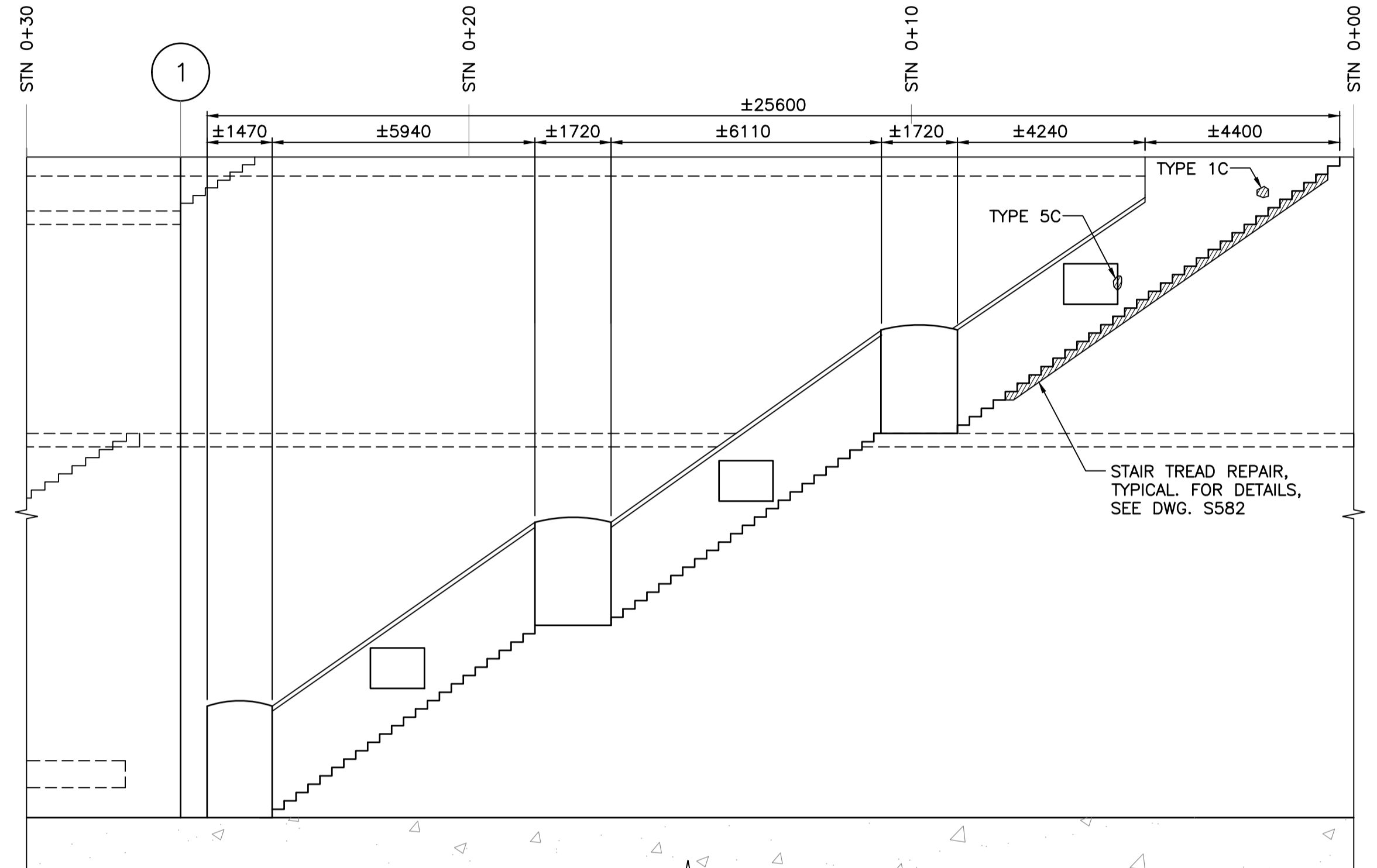
PLAN - SECTION 3 NORTH STAIRWELL
SCALE 1:100



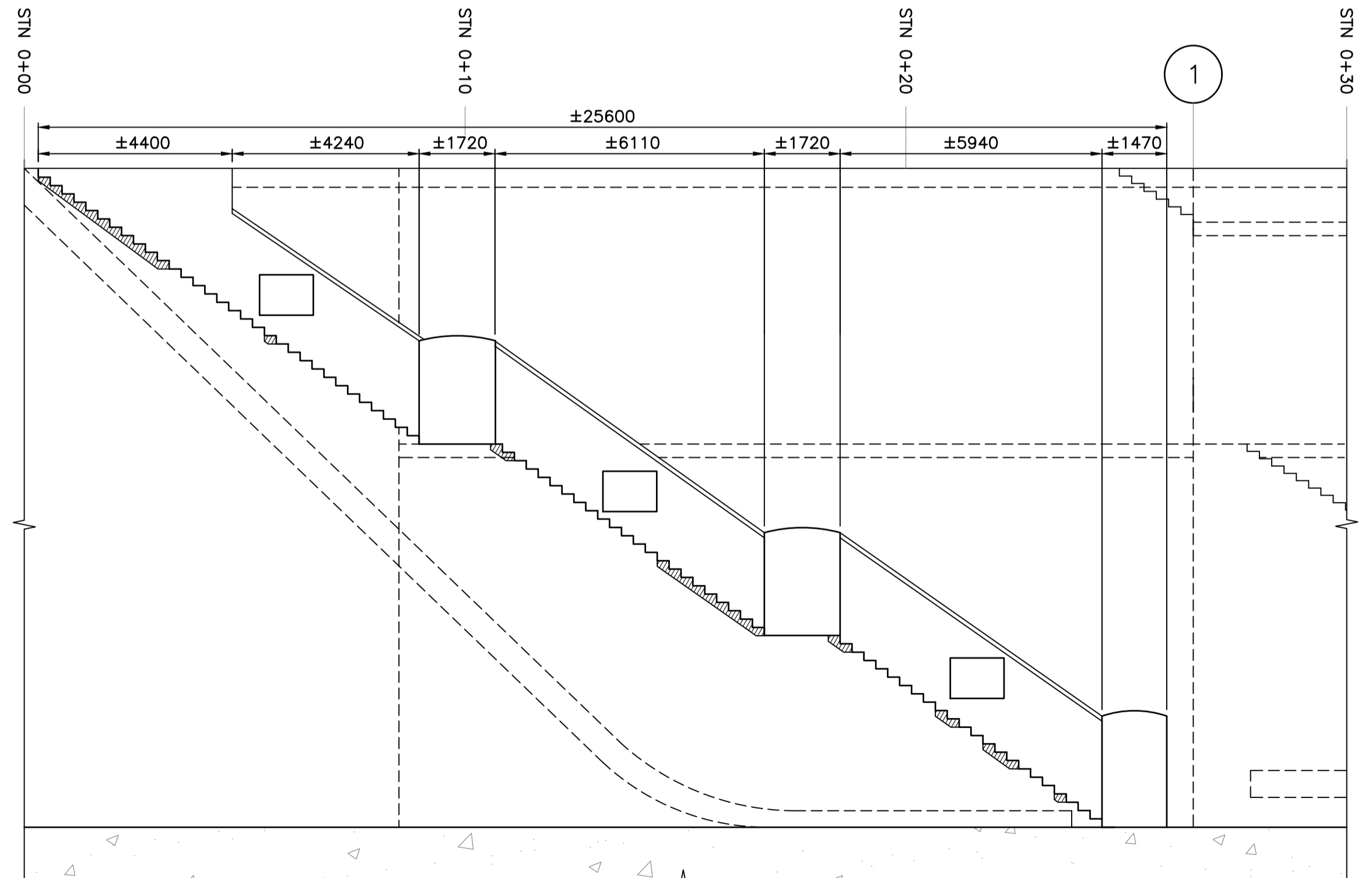
PLAN - SECTION 3 SOUTH STAIRWELL
SCALE 1:100



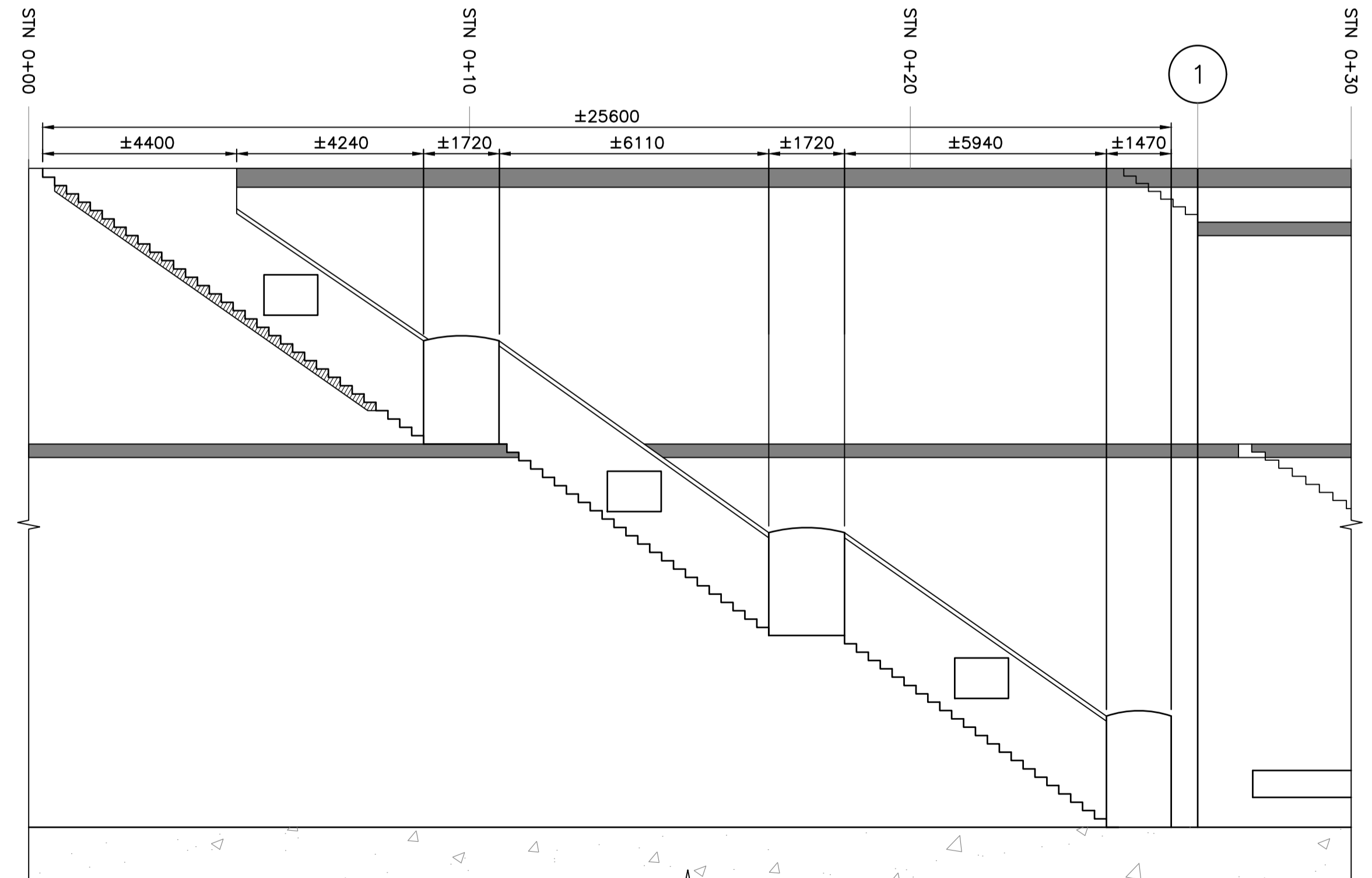
ELEVATION - SECTION 3 NORTH STAIRWELL NORTH WALL
SCALE 1:100



ELEVATION - SECTION 3 SOUTH STAIRWELL NORTH WALL
SCALE 1:100



ELEVATION - SECTION 3 NORTH STAIRWELL SOUTH WALL
SCALE 1:100



ELEVATION - SECTION 3 SOUTH STAIRWELL SOUTH WALL
SCALE 1:100



Revision/	Description/Description	Date/Date
C	TENDER	2021.01.07
B	99% REVIEW	2020.07.10
A	75% REVIEW	2020.05.20

Client/client
PUBLIC WORKS AND GOVERNMENT SERVICES CANADA

Project title/Titre du projet
825 ADMIRALS ROAD, VICTORIA, BC

ESQUIMALT GRAVING DOCK EAST END EXTENSION AND SECTION 3 DOCK FLOOR AND WALL REFURBISHMENT

Consultant Signature Only

Designed by/Concept par
CTA

Drawn by/Dessiné par
ADS

PWGSC Project Manager/Administrateur de Projets TPSGC
EUGENE YEUNG

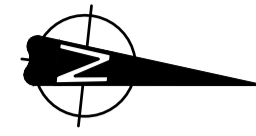
Regional Manager, Architectural and Engineering Services
Regional Manager, Environmental Services
PREETIPAL PAUL

Drawing title/Titre du dessin
STAIRWELL REPAIR

Project No./No. du projet	Sheet/Feuille	Revision no./La Révision no.
R.096320.002	S550	C

NOTES:
1. FOR GENERAL NOTES SEE DWG. S001.





GRAVING DOCK

CAISSON STOP #4

10'

10

9

8

7

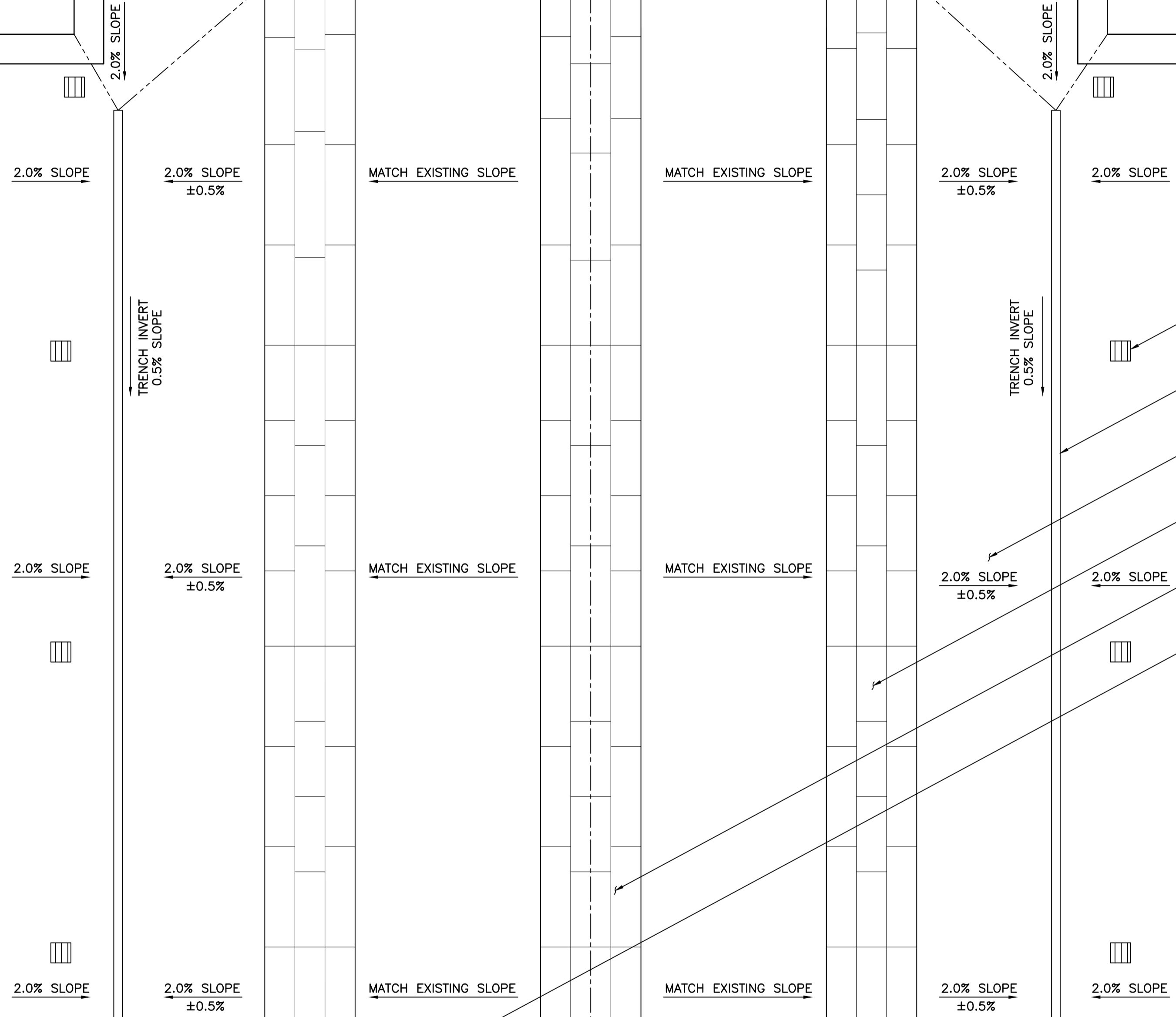
11890

9144

9144

9144

MATCH LINE 1
MATCH LINE 1



- FILLING AND EMPTYING TUNNEL GRATE, TYPICAL
- TRENCH DRAIN
- CONCRETE DOCK FLOOR
- EXISTING GRANITE BILGE BLOCKS
- EXISTING GRANITE KEEL BLOCKS
- EXISTING GRANITE BILGE BLOCKS



Revision/Revision	Description/Description	Date/Date
C	TENDER	2021.01.07
B	90% REVIEW	2020.07.10
A	70% REVIEW	2020.05.20

PUBLIC WORKS AND GOVERNMENT SERVICES CANADA

Project title/Titre du projet
**ESQUIMALT GRAVING DOCK
825 ADMIRALS ROAD, VICTORIA, BC**

**ESQUIMALT GRAVING DOCK
EAST END EXTENSION AND
SECTION 3 DOCK FLOOR
AND WALL REFURBISHMENT**

Consultant Signature Only

Designed by/Concept par
CTA

Drawn by/Dessiné par
ADS/JJMC

PWGC Project Manager/Administrateur de Projets TPSCG
EUGENE YEUNG

Regional Manager, Architectural and Engineering Services
Regional Manager, Environmental Services
PREETIPAL FAUL

Drawing title/Titre du dessin

**FLOOR REPAIR GRADING PLAN -
SHEET 1**

Project No./No. du projet
R.096320.002

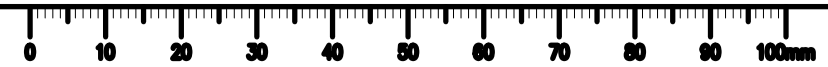
Sheet/Feuille
S560

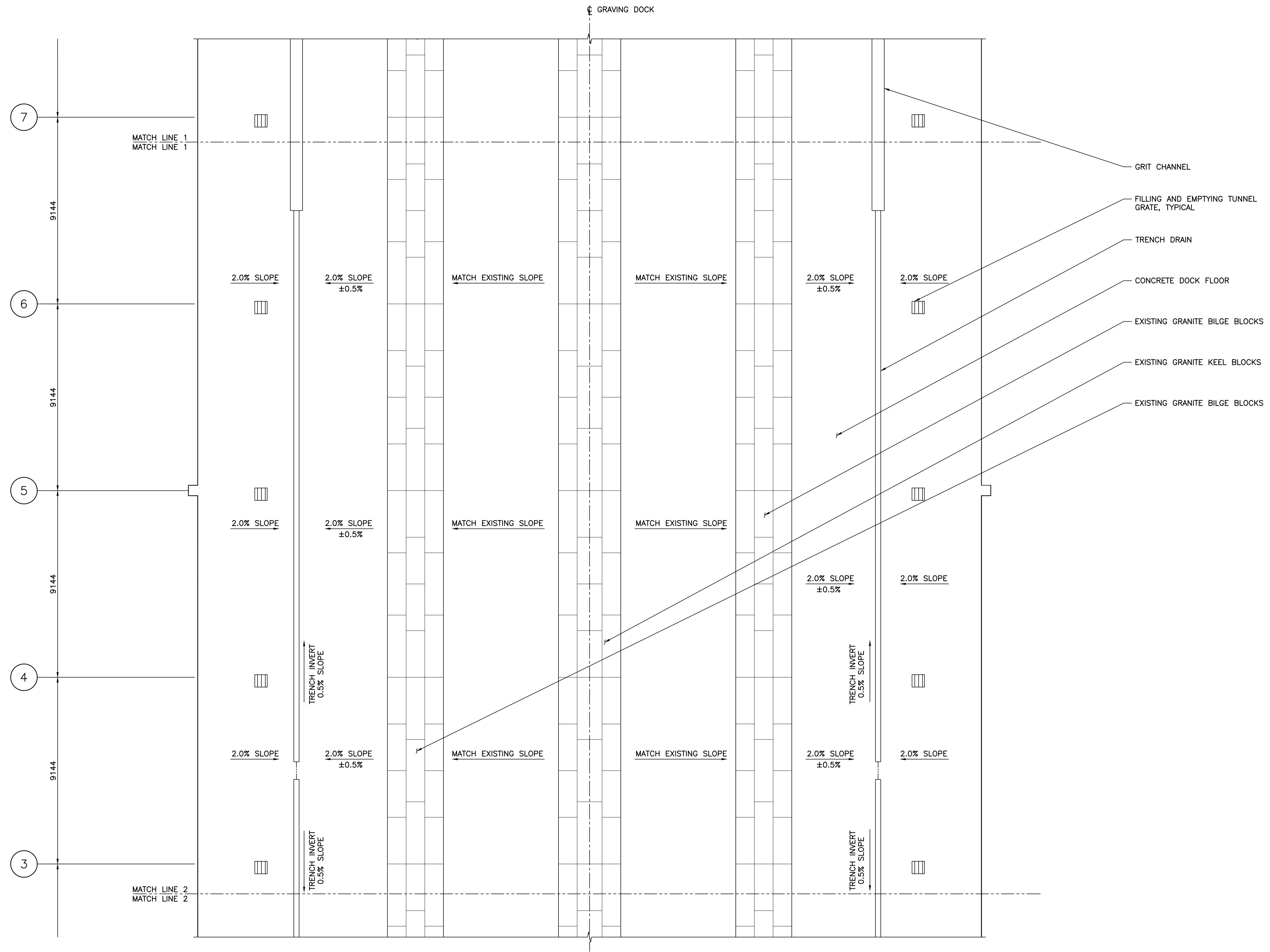
Revision no./
La Révision no.
C

PARTIAL GRADING PLAN - WEST END TO MARKER 7
SCALE 1:100

NOTES:

1. FOR GENERAL NOTES SEE DWG. S001.





- GRIT CHANNEL
- FILLING AND EMPTYING TUNNEL GRATE, TYPICAL
- TRENCH DRAIN
- CONCRETE DOCK FLOOR
- EXISTING GRANITE BILGE BLOCKS
- EXISTING GRANITE KEEL BLOCKS
- EXISTING GRANITE BILGE BLOCKS

PARTIAL GRADING PLAN – MARKER 7 TO MARKER 3
SCALE 1:100



Revision/	Description/Description	Date/Date
C	TENDER	2021.01.07
B	90% REVIEW	2020.07.10
A	70% REVIEW	2020.05.20

Client/client
PUBLIC WORKS AND GOVERNMENT SERVICES CANADA

Project title/Titre du projet
**ESQUIMALT GRAVING DOCK
825 ADMIRALS ROAD, VICTORIA, BC**

**ESQUIMALT GRAVING DOCK
EAST END EXTENSION AND
SECTION 3 DOCK FLOOR
AND WALL REFURBISHMENT**

Designed by/Concept par
CTA

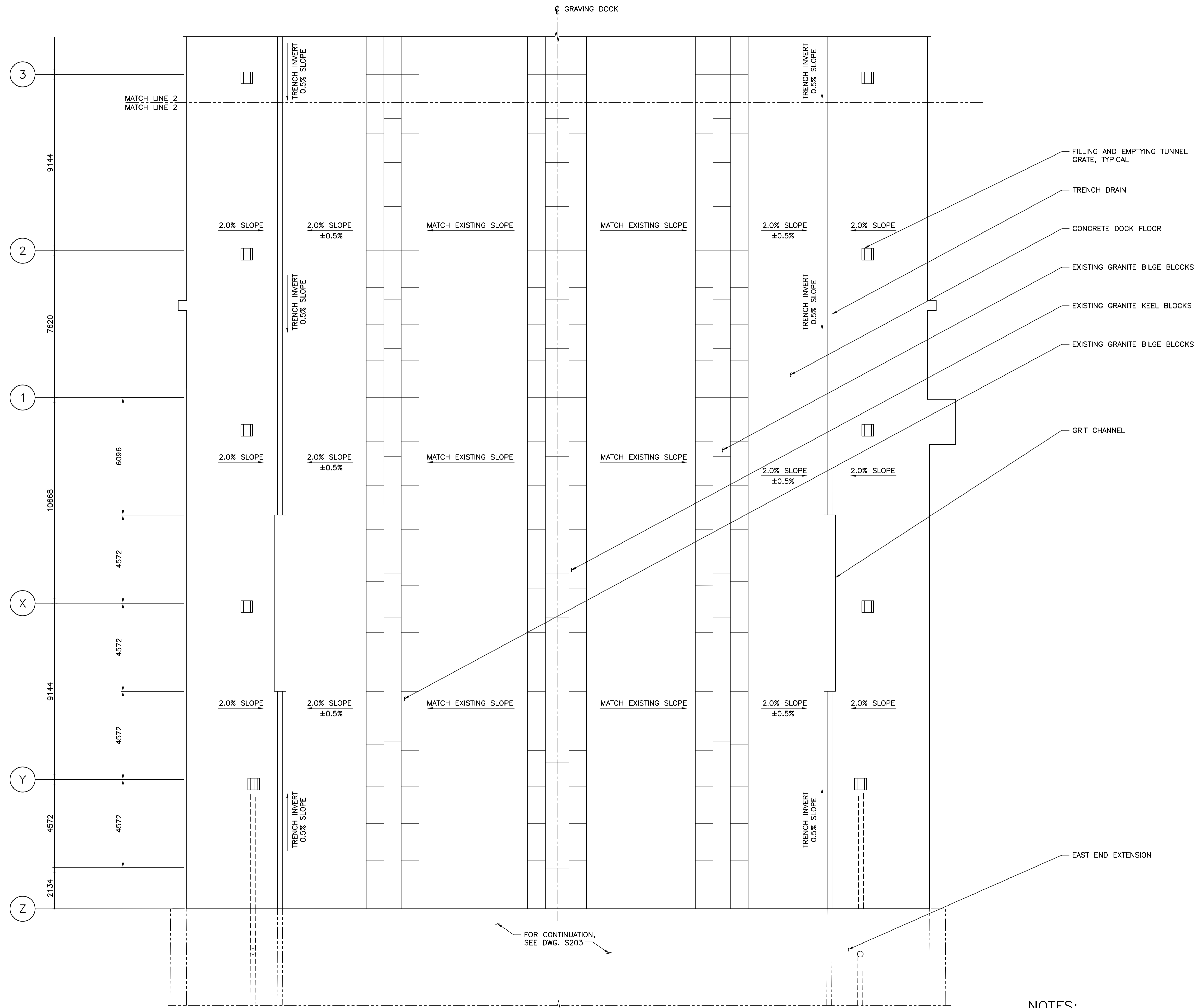
Drawn by/Dessiné par
ADS/JJMC
PWSC Project Manager/Administrateur de Projets TPSCG
EUGENE YEUNG

Regional Manager, Architectural and Engineering Services
Regional Manager, Environmental Services
PREETIPAL FAUL

Drawing title/Titre du dessin
FLOOR REPAIR GRADING PLAN - SHEET 2

Project No./No. du projet	Sheet/Feuille	Revision no./La Révision no.
R.096320.002	S561	C

NOTES:
1. FOR GENERAL NOTES SEE DWG. S001.



- FILLING AND EMPTYING TUNNEL GRATE, TYPICAL
- TRENCH DRAIN
- CONCRETE DOCK FLOOR
- EXISTING GRANITE BILGE BLOCKS
- EXISTING GRANITE KEEL BLOCKS
- EXISTING GRANITE BILGE BLOCKS
- GRIT CHANNEL



Revision/	Description/Description	Date/Date
C	TENDER	2021.01.07
B	90% REVIEW	2020.07.10
A	75% REVIEW	2020.05.20

Client/client
PUBLIC WORKS AND GOVERNMENT SERVICES CANADA

Project title/Titre du projet
**ESQUIMALT GRAVING DOCK
 825 ADMIRALS ROAD, VICTORIA, BC**

**ESQUIMALT GRAVING DOCK
 EAST END EXTENSION AND
 SECTION 3 DOCK FLOOR
 AND WALL REFURBISHMENT**

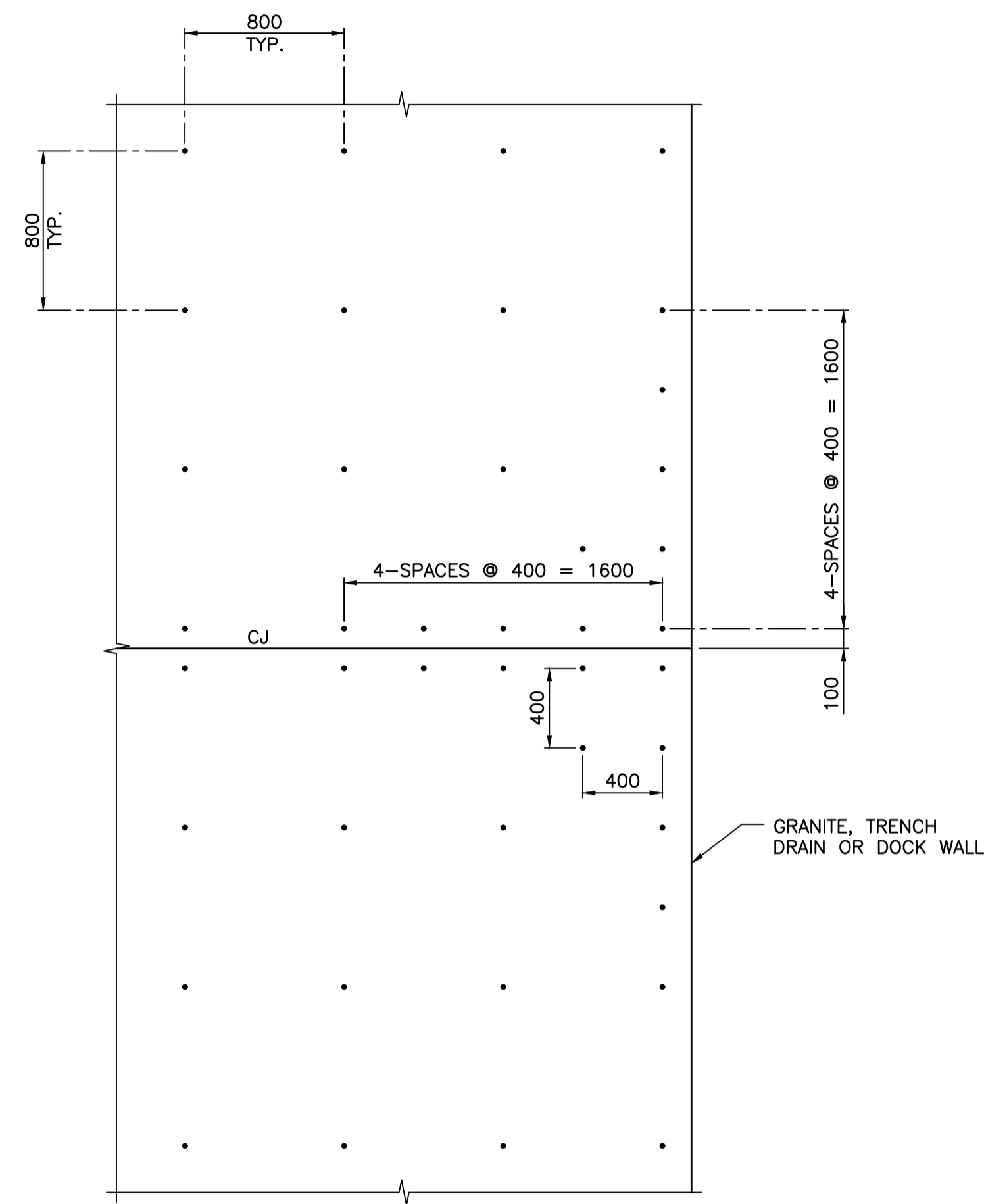
Consultant Signature Only
 Designed by/Concept par
 CTA
 Drawn by/Dessiné par
 ADS/JJMC
 PWGSC Project Manager/Administrateur de Projets TPSGC
 EUGENE YEUNG
 Regional Manager, Architectural and Engineering Services
 Regional Manager, Environmental Services
 PREETIPAL PAUL

Drawing title/Titre du dessin
FLOOR REPAIR GRADING PLAN - SHEET 3

Project No./No. du projet R.096320.002	Sheet/Feuille S562	Revision no./ La Révision no. C
--	------------------------------	--

PARTIAL GRADING PLAN - MARKER 7 TO EAST END
 SCALE 1:100

NOTES:
 1. FOR GENERAL NOTES SEE DWG. S001.



PARTIAL PLAN – TYPICAL DOWEL LAYOUT

SCALE 1:25

NOTE: DOWEL LAYOUT IS TYPICAL FOR ENTIRE BONDED CONCRETE TOPPING. FOR EMBEDMENT AND DOWEL DETAILS, SEE DWG. S571.



Revision/	Description/Description	Date/Date
C	TENDER	2021.01.07
B	90% REVIEW	2020.07.10
A	75% REVIEW	2020.05.20

Client/client
PUBLIC WORKS AND GOVERNMENT SERVICES CANADA

Project title/Titre du projet
**ESQUIMALT GRAVING DOCK
825 ADMIRALS ROAD, VICTORIA, BC**

**ESQUIMALT GRAVING DOCK
EAST END EXTENSION AND
SECTION 3 DOCK FLOOR
AND WALL REFURBISHMENT**

Consultant Signature Only

Designed by/Concept par
CTA

Drawn by/Dessiné par
ADS/JJMC

PWGC Project Manager/Administrateur de Projets TPSGC
EUGENE YEUNG

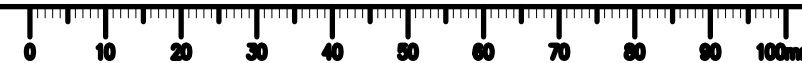
Regional Manager, Architectural and Engineering Services
Regional Manager, Environmental Services
PREETIPAL FAUL

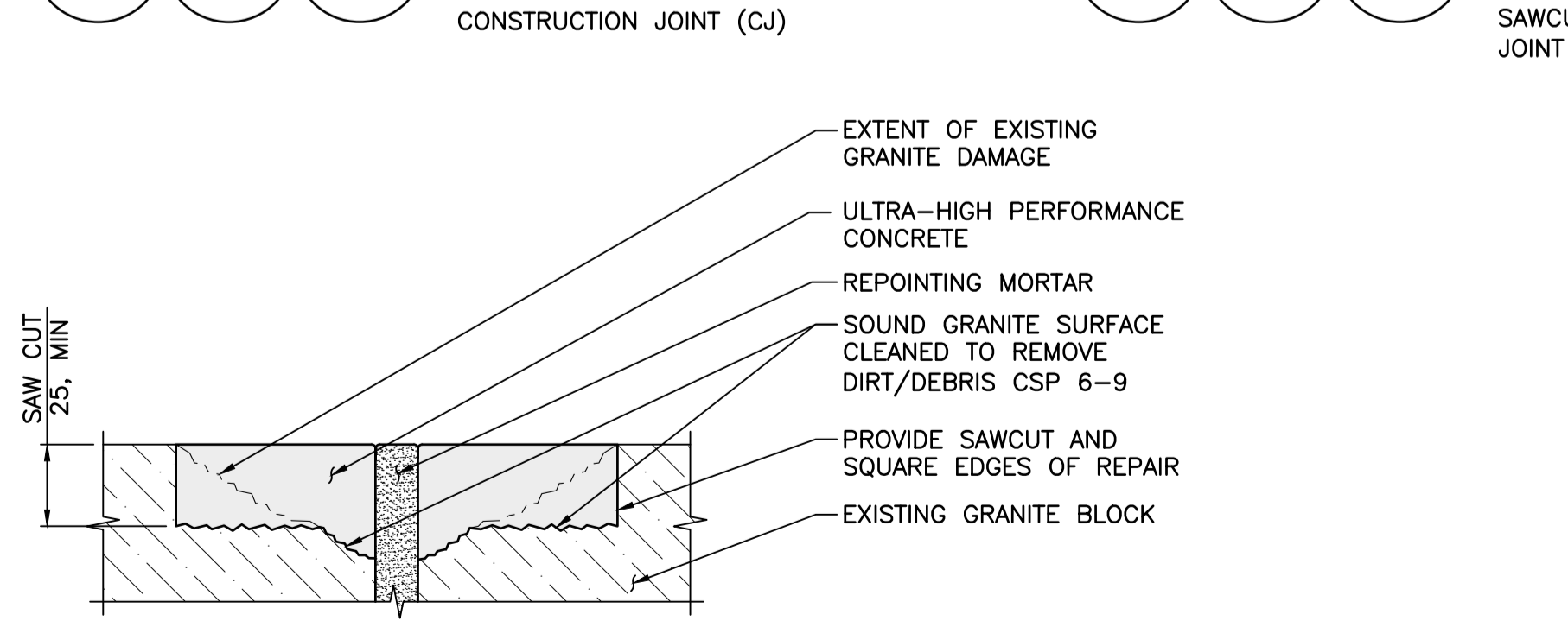
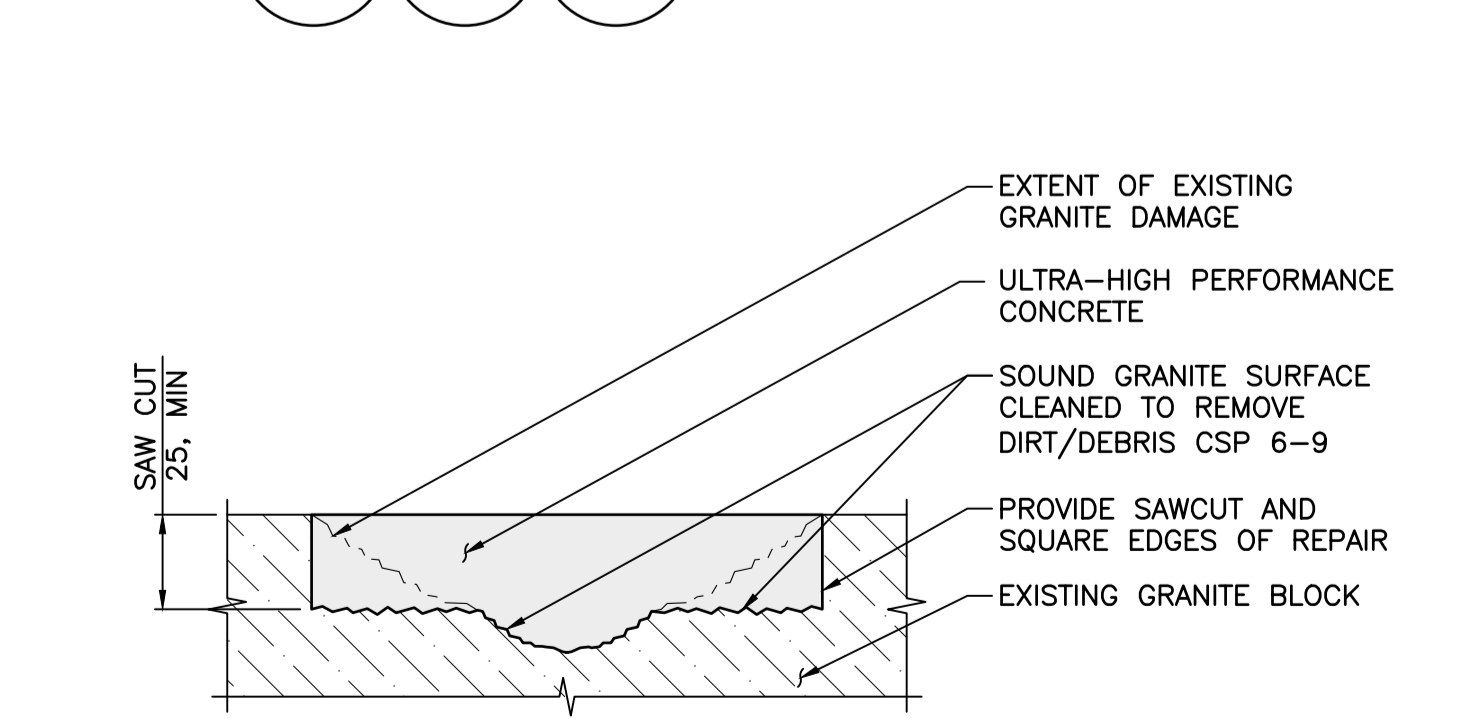
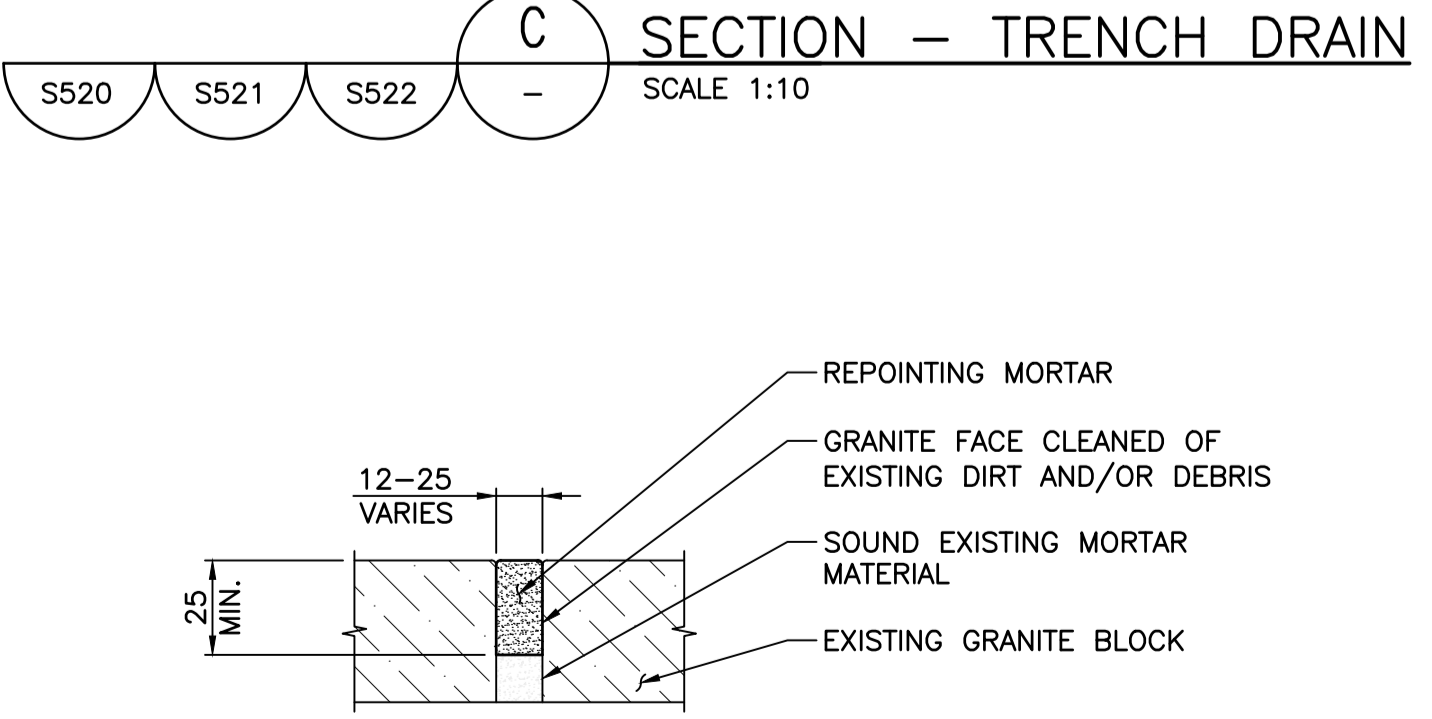
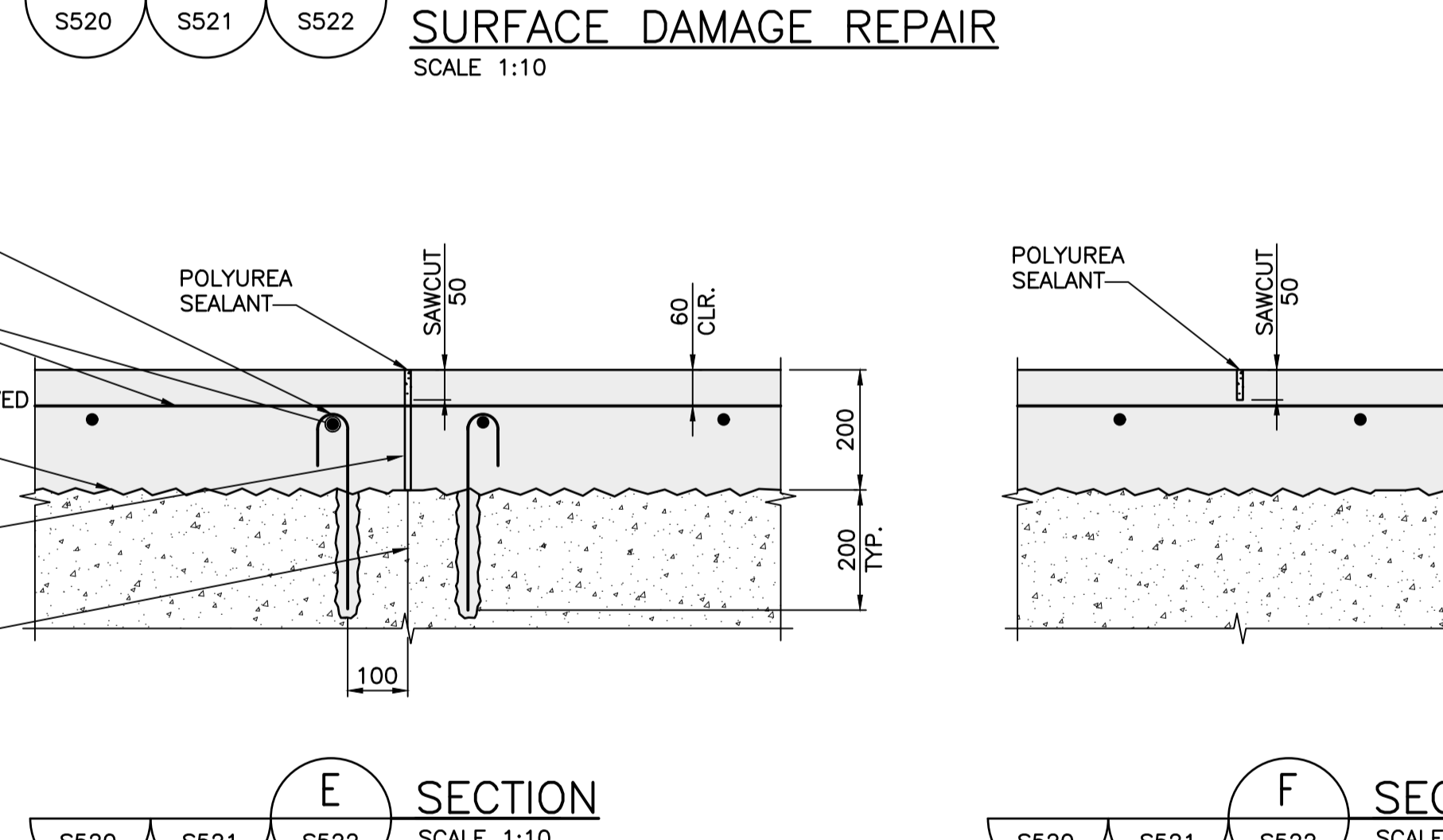
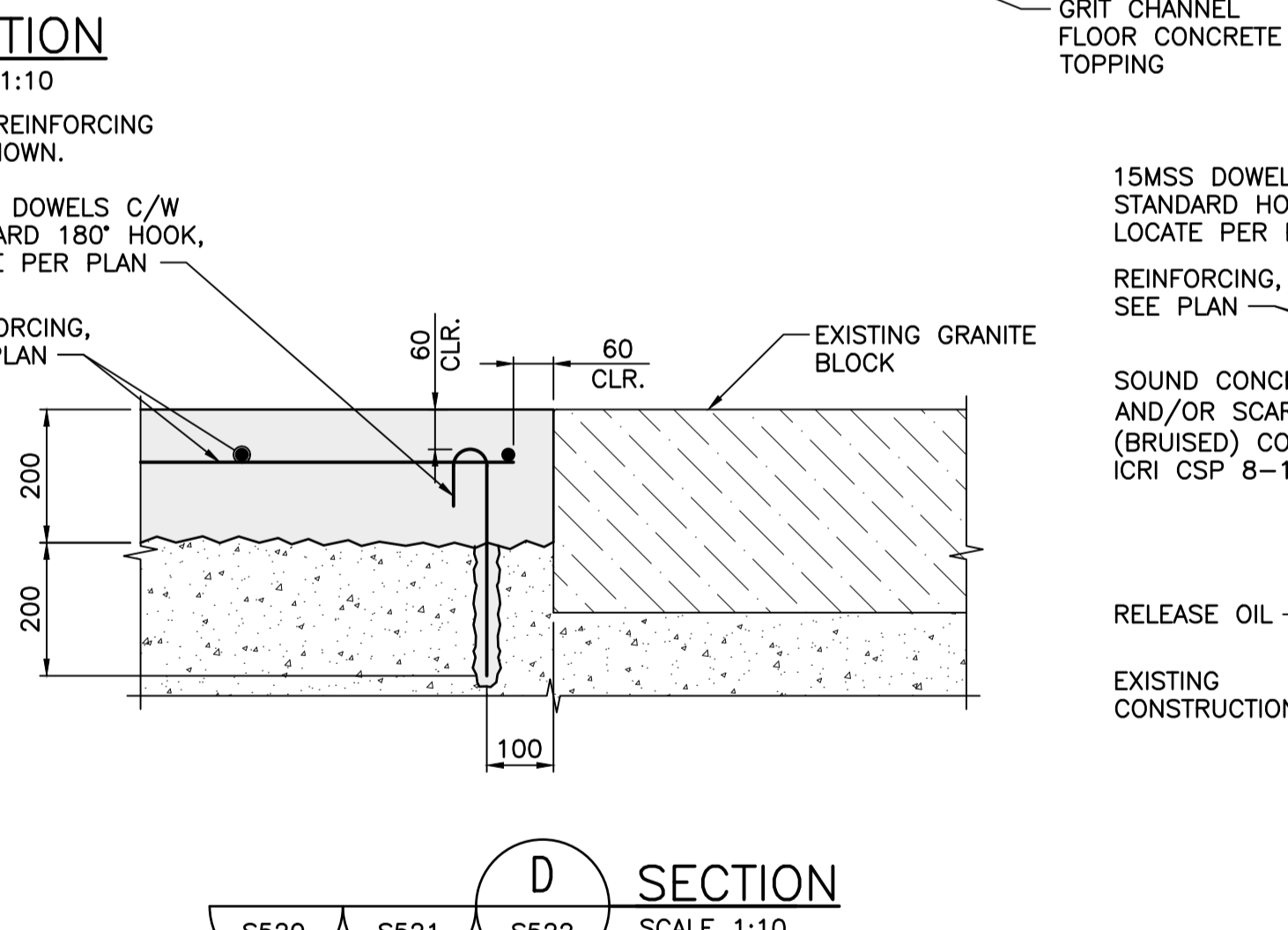
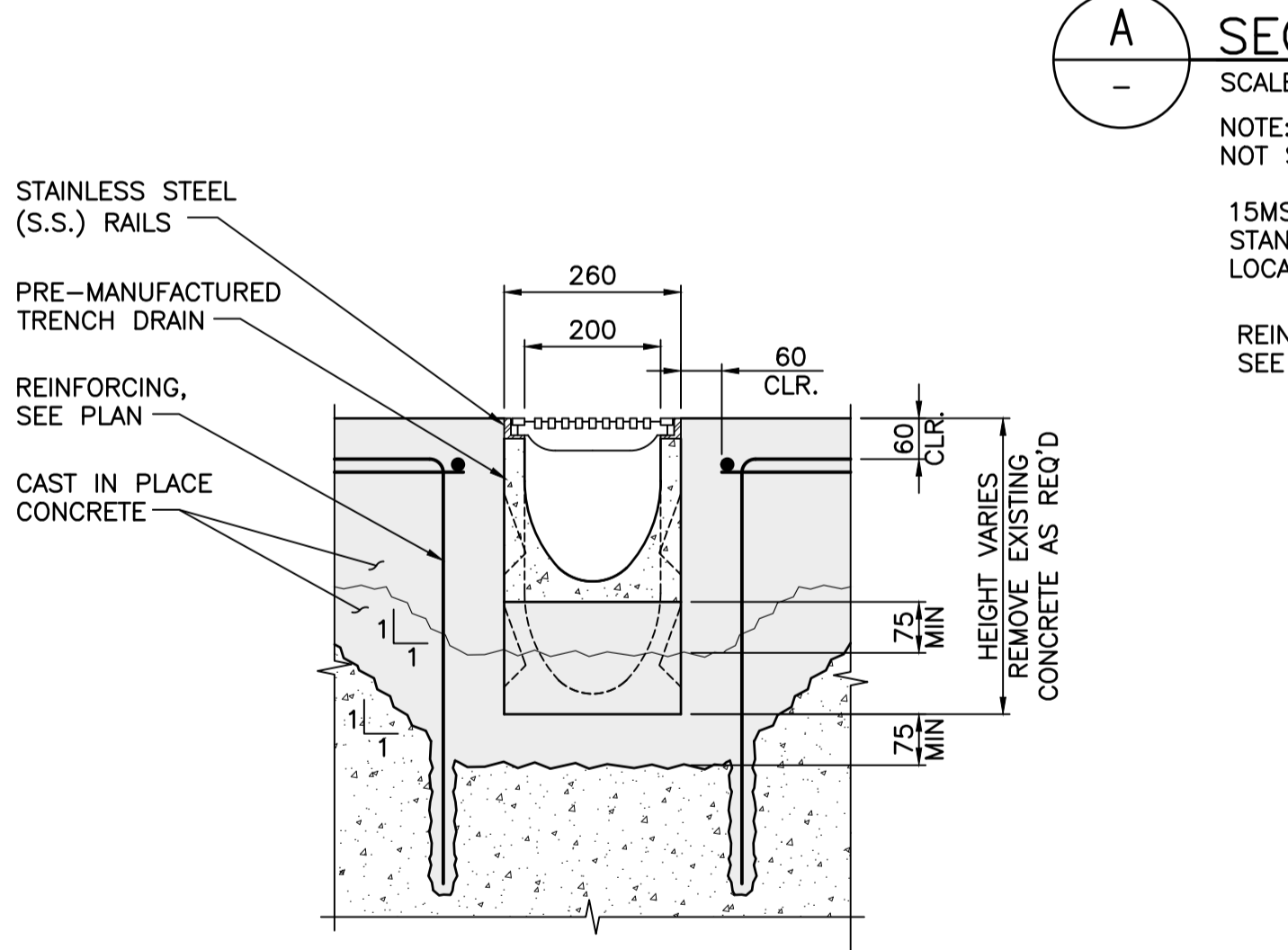
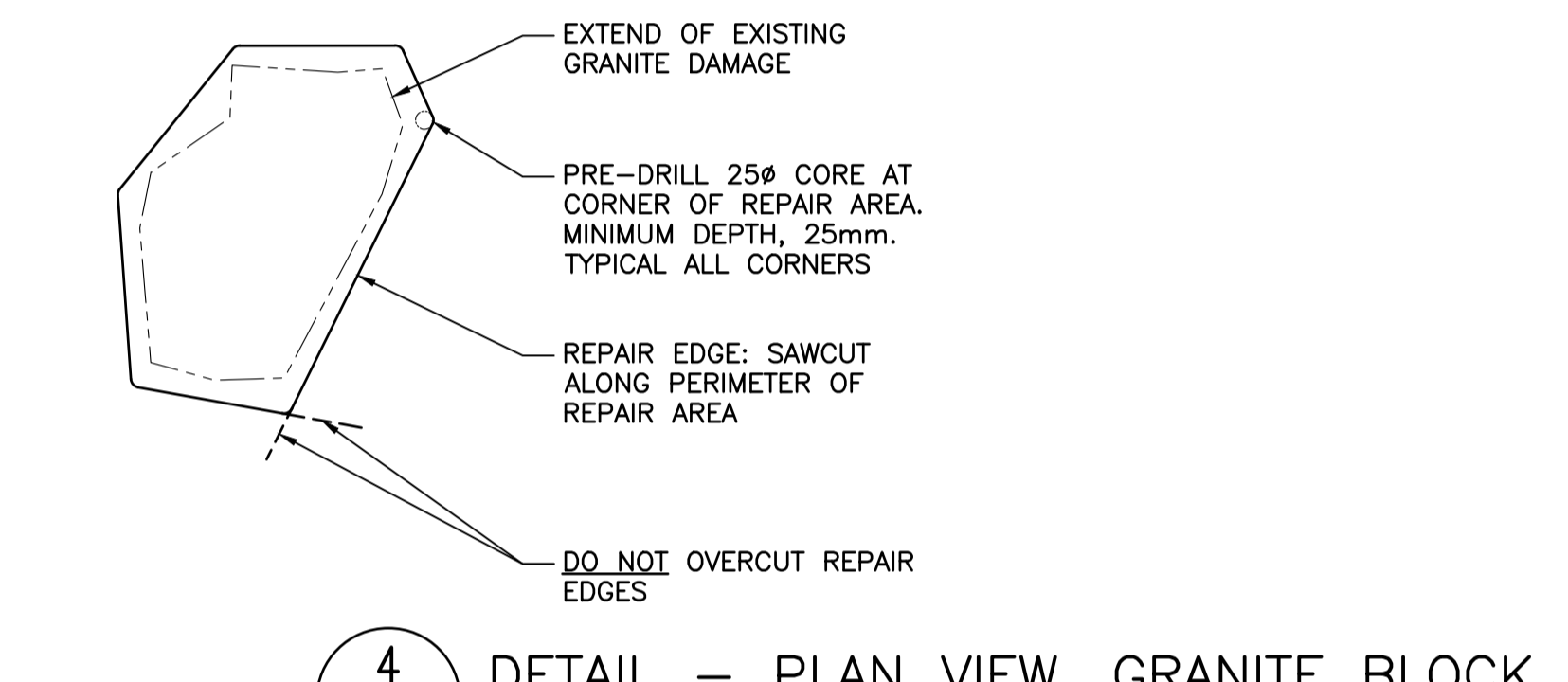
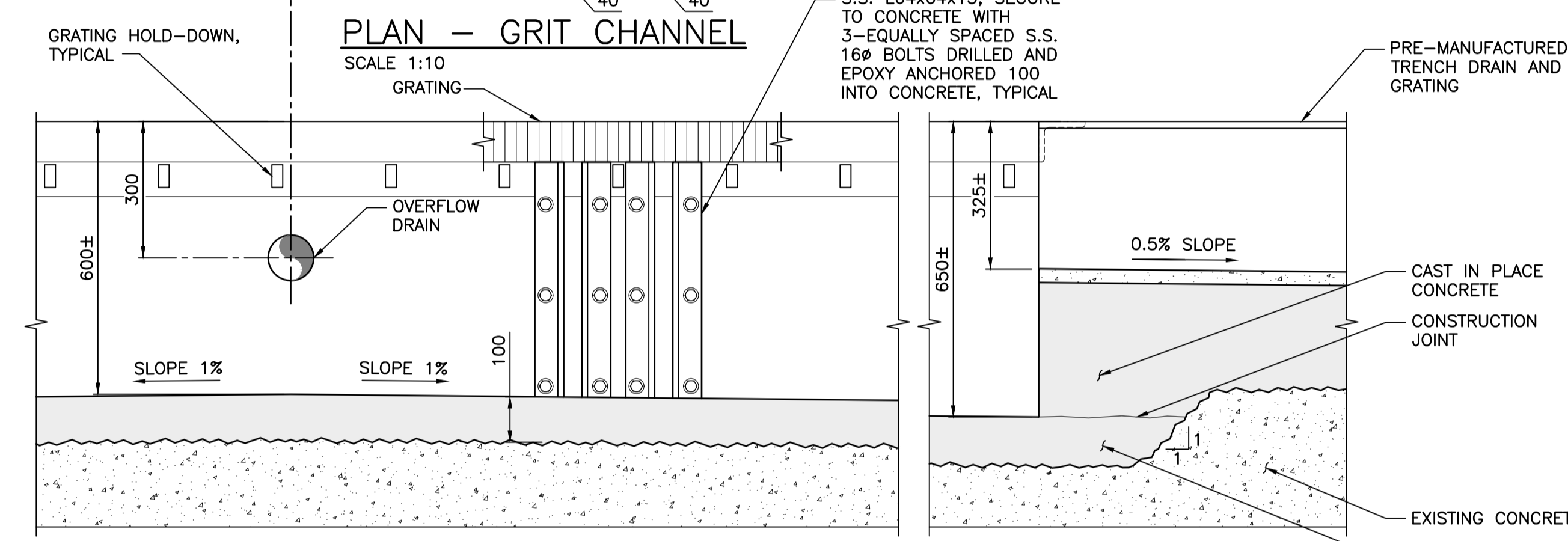
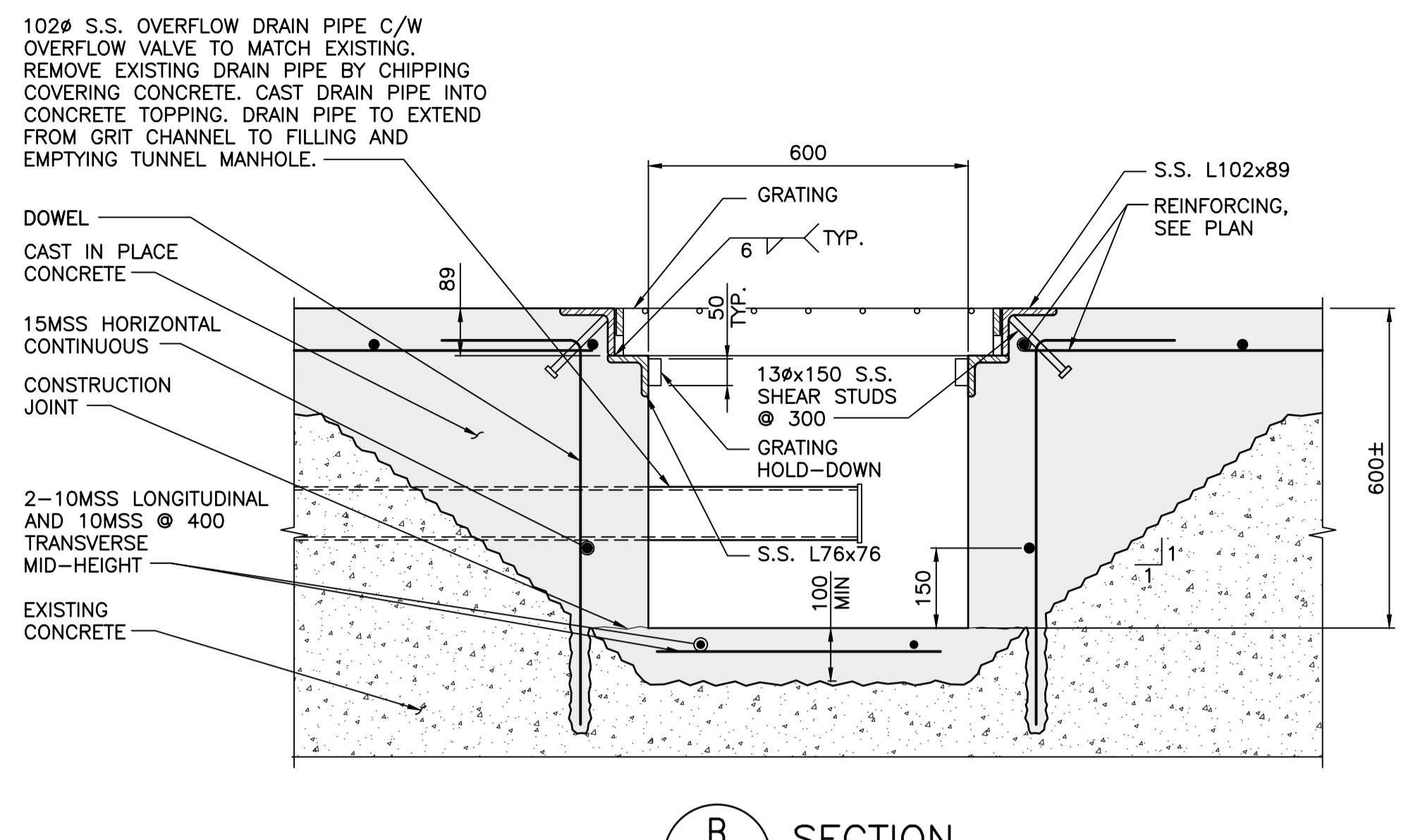
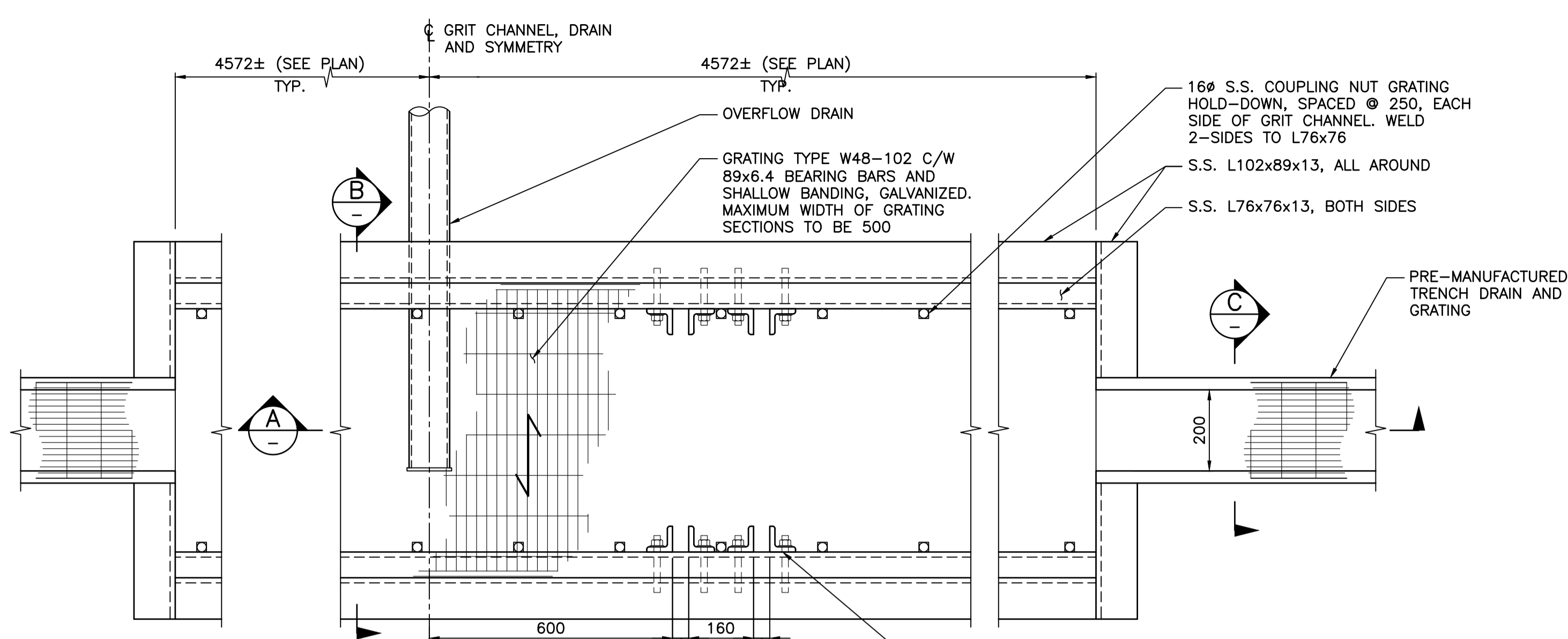
Drawing title/Titre du dessin
**FLOOR AND SERVICE SILL REPAIR
DETAILS - SHEET 1**

Project No./No. du projet	Sheet/Feuille	Revision no./La Révision no.
R.096320.002	S570	C

NOTES:

1. FOR GENERAL NOTES SEE DWG. S001.





1 DETAIL - GRANITE BLOCK REPOINTING SCALE 1:2

2 DETAIL - SECTION AT GRANITE BLOCK, SURFACE DAMAGE REPAIR SCALE 1:2

3 DETAIL - SECTION AT GRANITE BLOCK EDGE, SURFACE DAMAGE REPAIR SCALE 1:2

1. FOR GENERAL NOTES SEE DWG. S001.

Revision/	Description/Description	Date/Date
C	TENDER	2021.01.07
B	90% REVIEW	2020.07.10
A	75% REVIEW	2020.05.20

Client/Client
PUBLIC WORKS AND GOVERNMENT SERVICES CANADA

Project title/Titre du projet
**ESQUIMALT GRAVING DOCK
825 ADMIRALS ROAD, VICTORIA, BC**

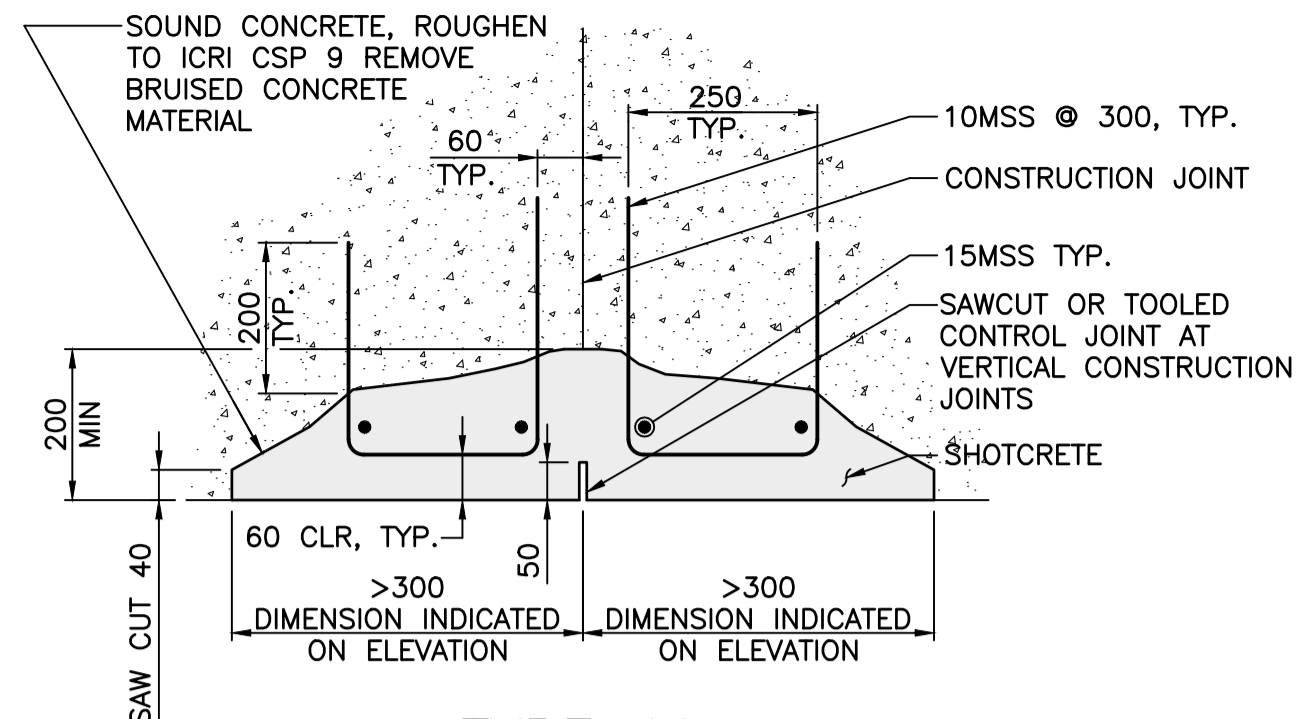
**ESQUIMALT GRAVING DOCK
EAST END EXTENSION AND
SECTION 3 DOCK FLOOR
AND WALL REFURBISHMENT**

Consultant Signature Only

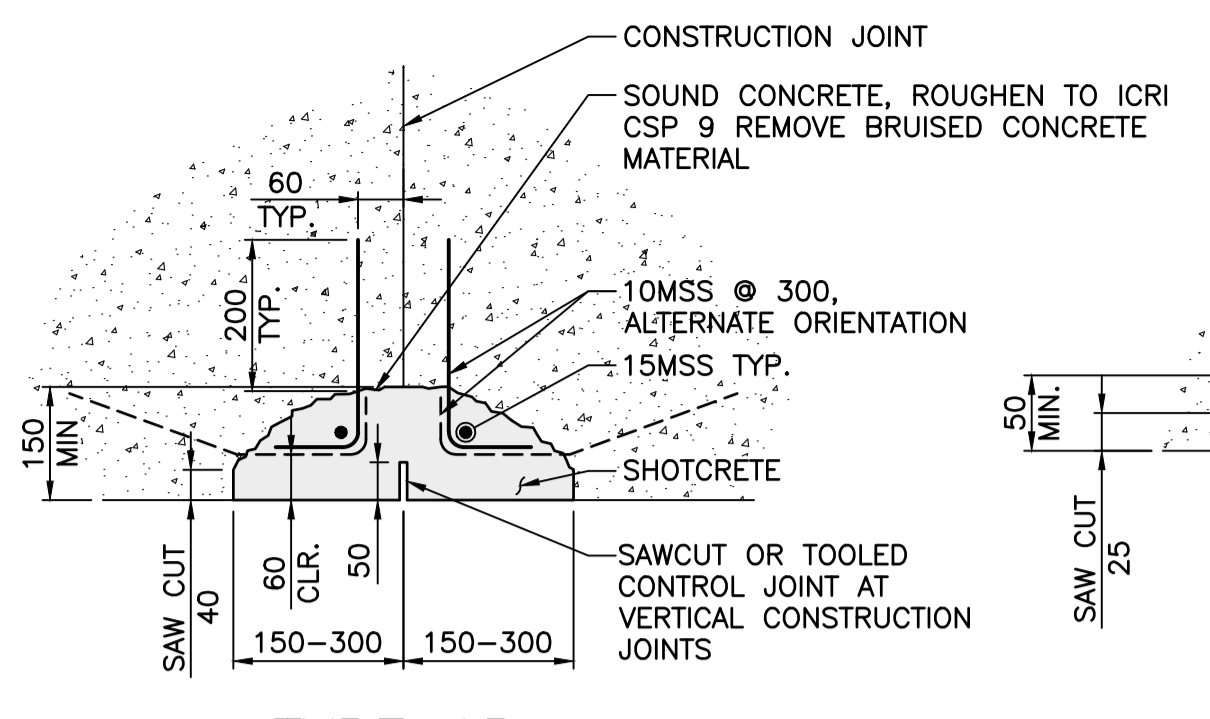
Designed by/Concept par
CTA
Drawn by/Dessiné par
ADS/JJMC
PWGSC Project Manager/Administrateur de Projets TPSGC
EUGENE YEUNG
Regional Manager, Architectural and Engineering Services
Regional Manager, Environmental Services
PREETIPAL PAUL

Drawing title/Titre du dessin
**FLOOR AND SERVICE SILL REPAIR
DETAILS - SHEET 2**

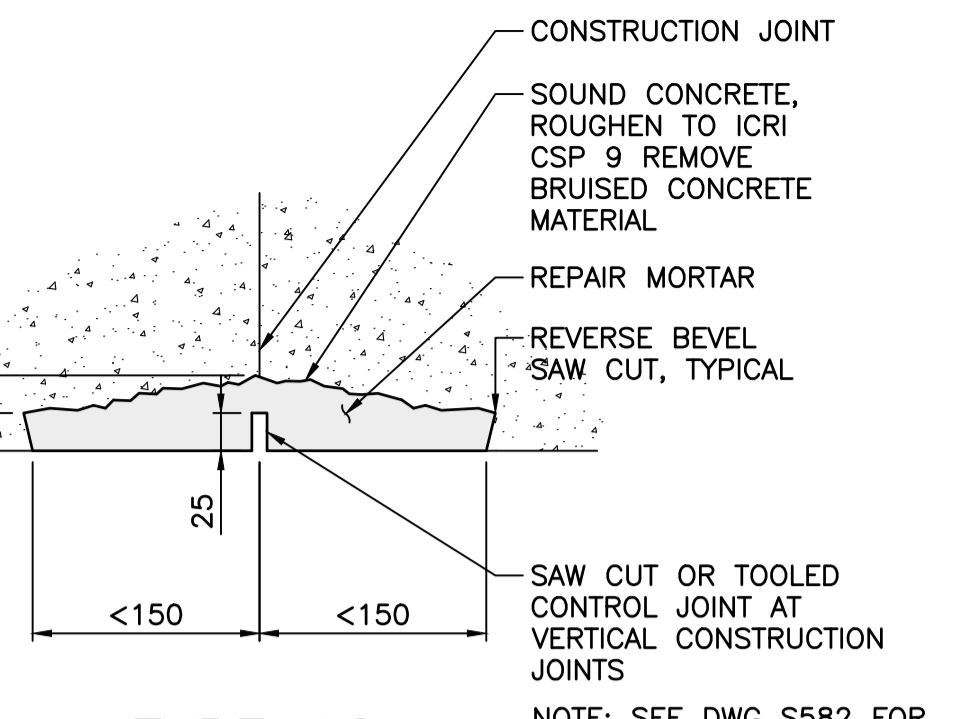
Project No./No. du projet R.096320.002	Sheet/Fauille S571	Revision no./ no. de Révision C
--	------------------------------	--



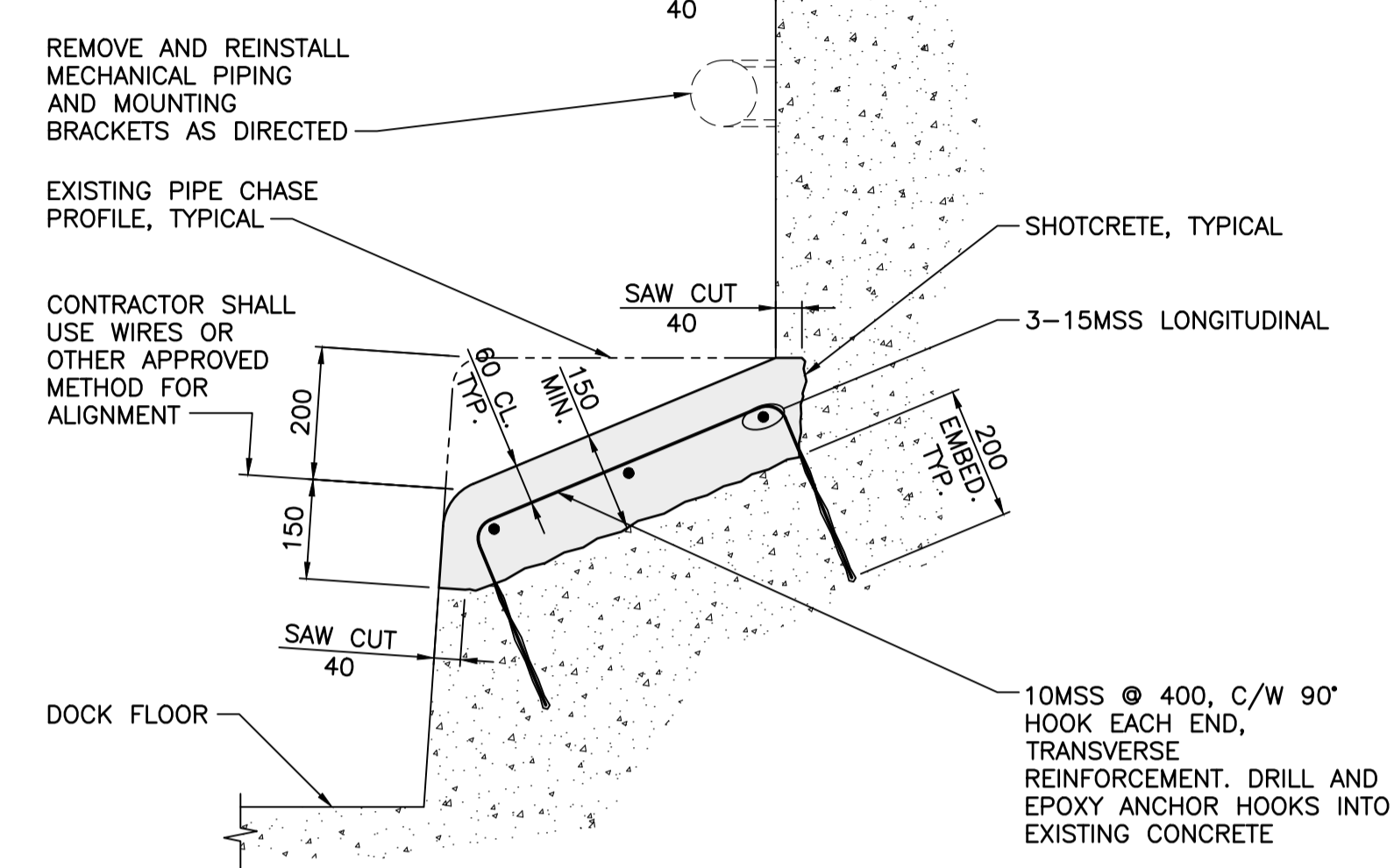
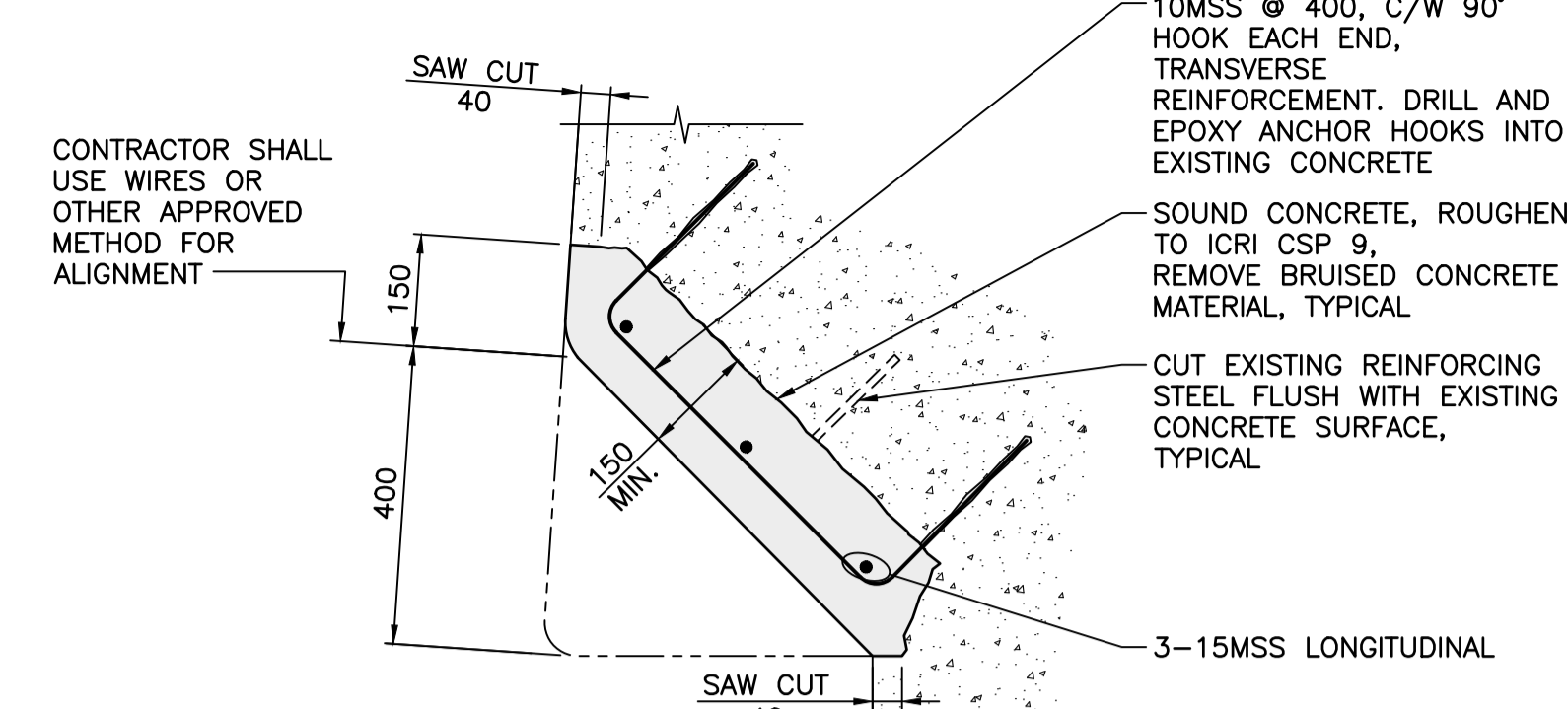
TYPE 1A
SCALE 1:10



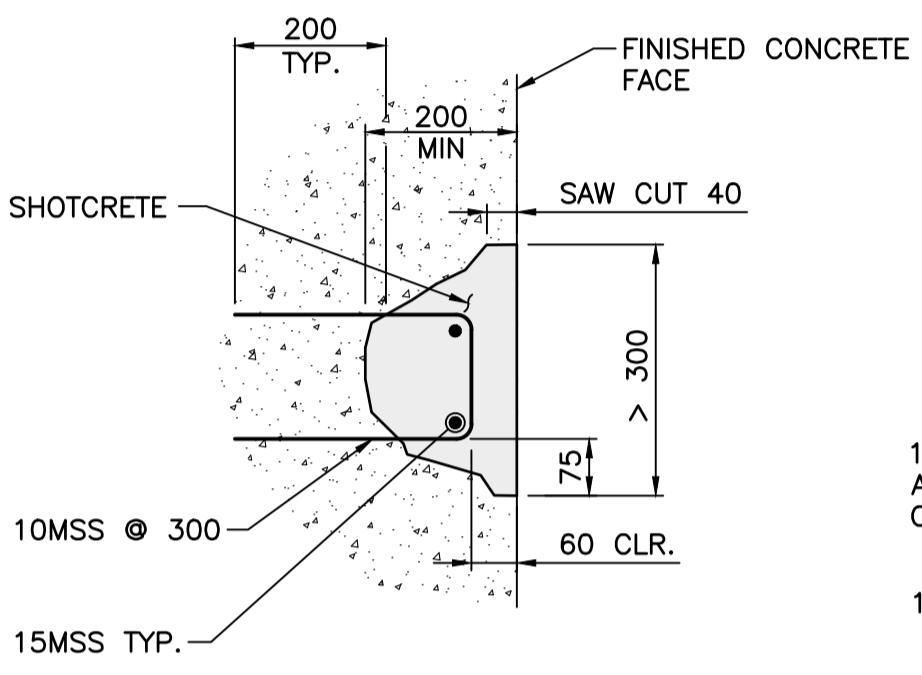
TYPE 1B
SCALE 1:10



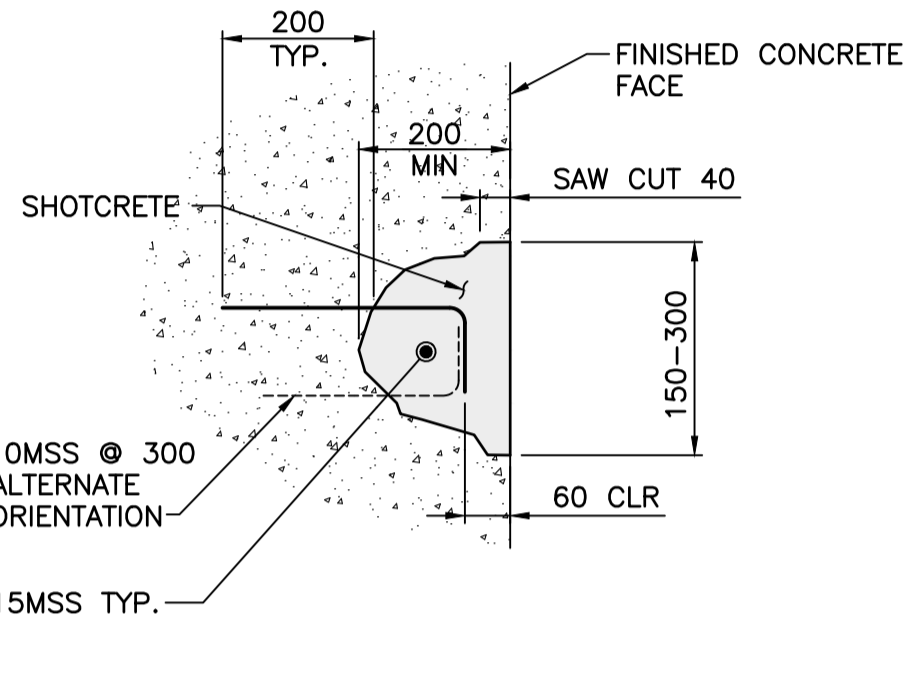
TYPE 1C
SCALE 1:5



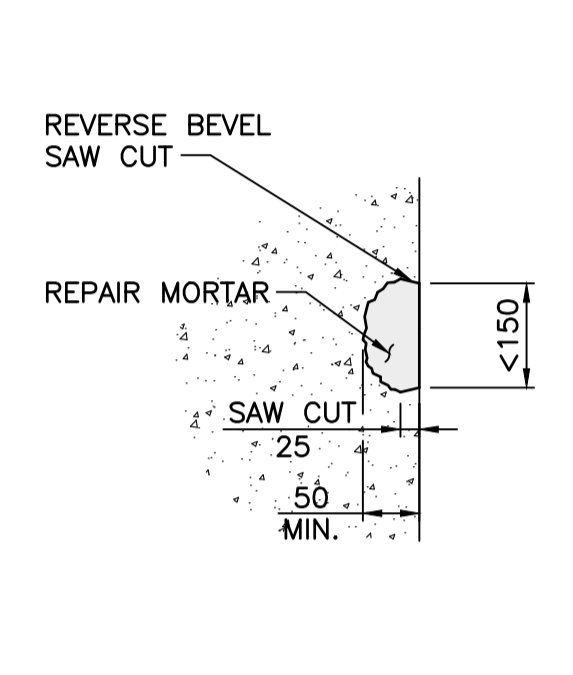
TYPE 4 - SECTION, PIPE CHASE CONCRETE REPAIR
SCALE 1:10



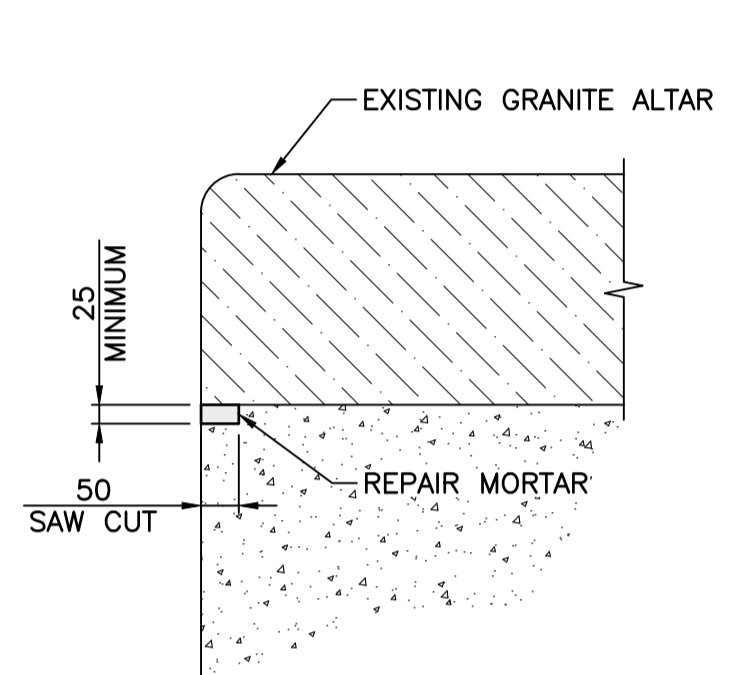
TYPE 2A
SCALE 1:10



TYPE 2B
SCALE 1:10

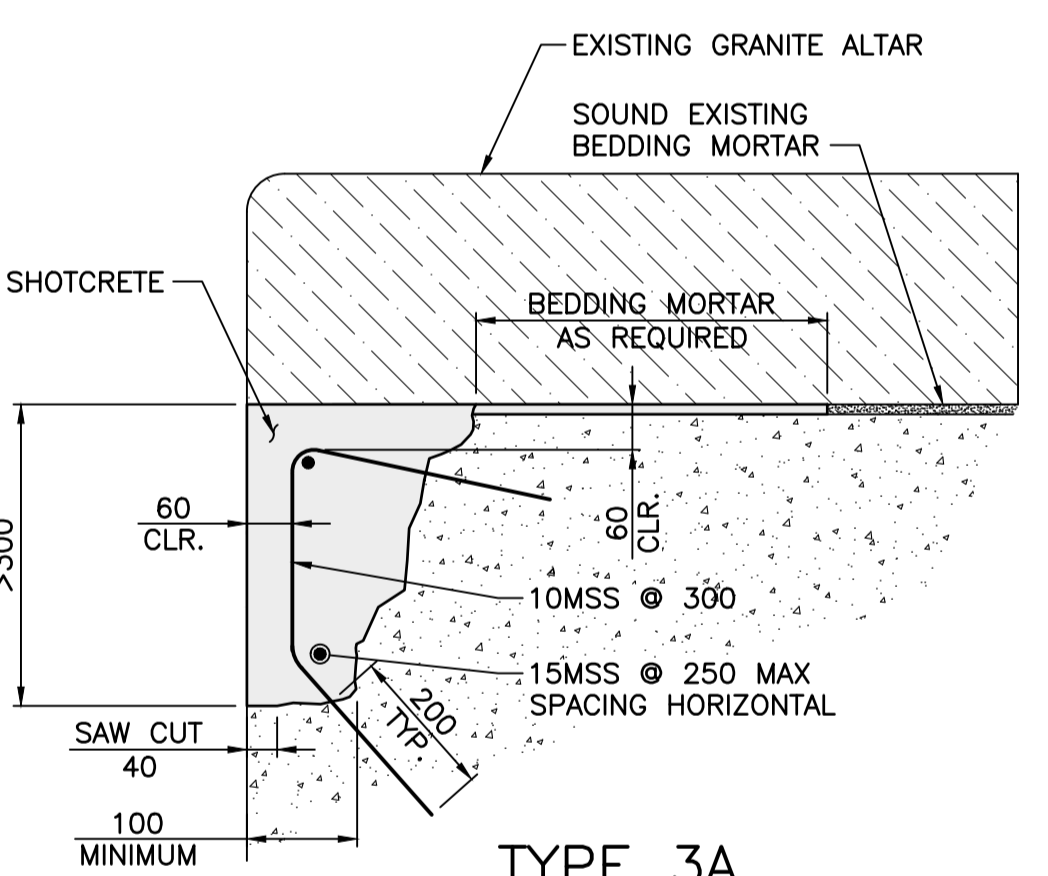


TYPE 2C
SCALE 1:10

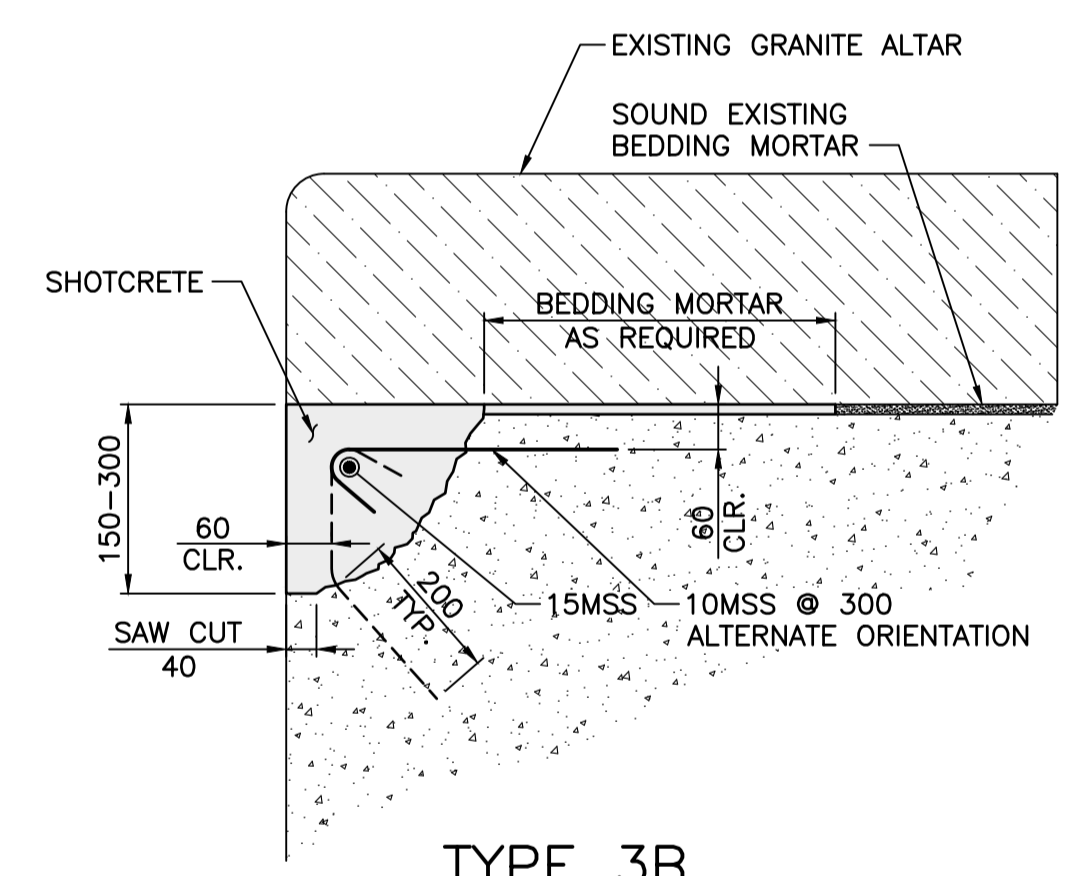


TYPE 3D
SCALE 1:10

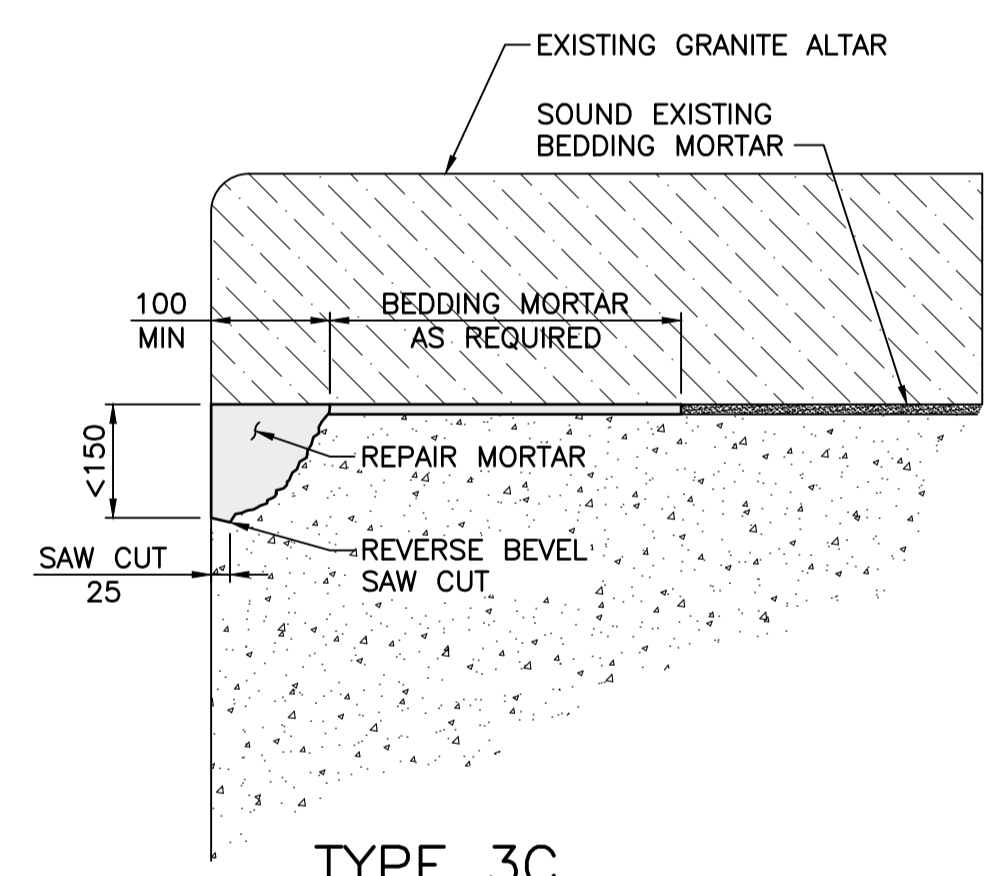
TYPE 2 - VERTICAL/HORIZONTAL CONCRETE REPAIR AT NO CONSTRUCTION JOINT



TYPE 3A
SCALE 1:10

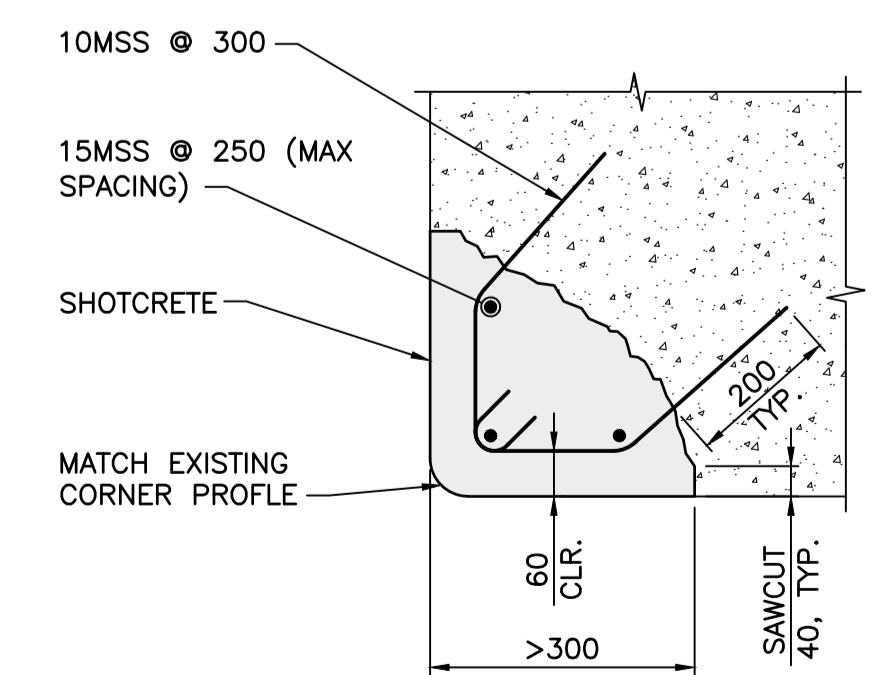


TYPE 3B
SCALE 1:10

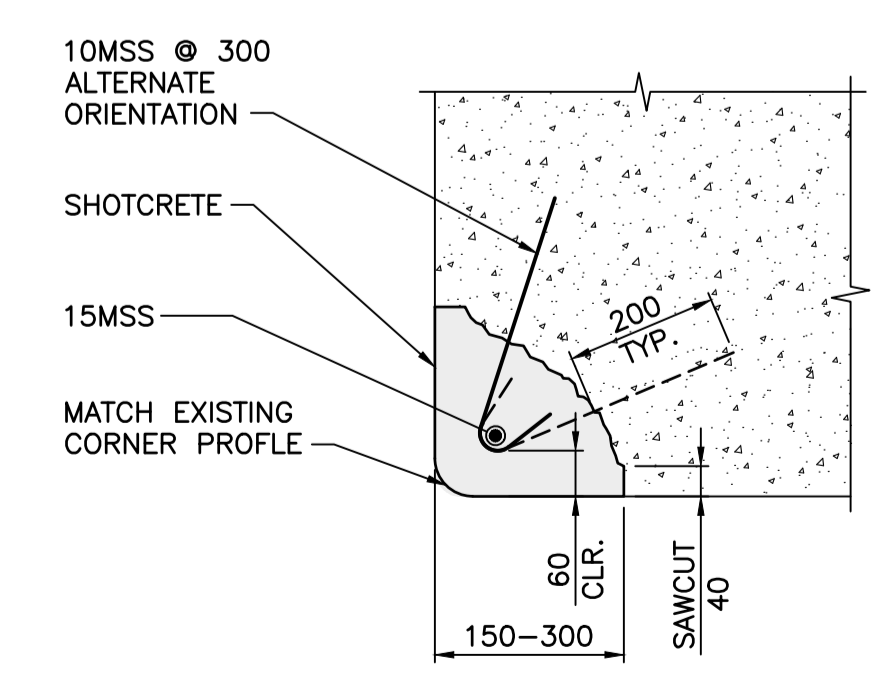


TYPE 3C
SCALE 1:10

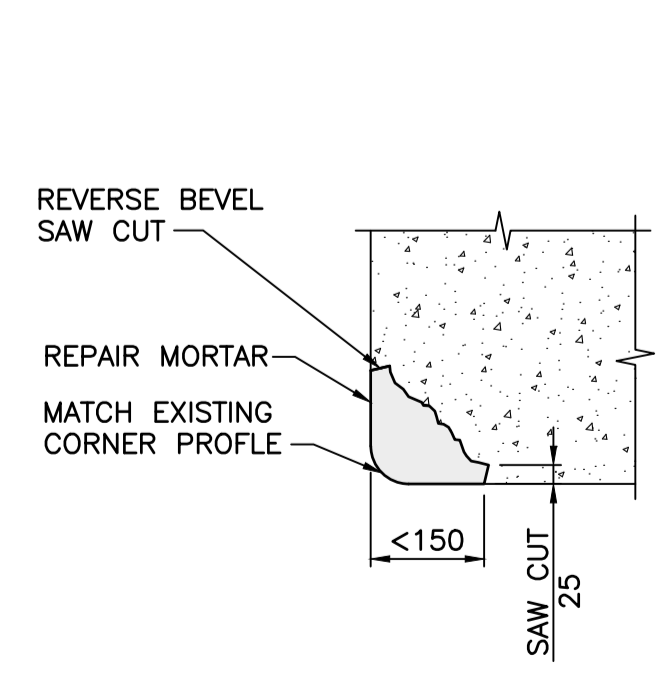
TYPE 3 - ALTAR CONCRETE REPAIR



TYPE 5A
SCALE 1:10

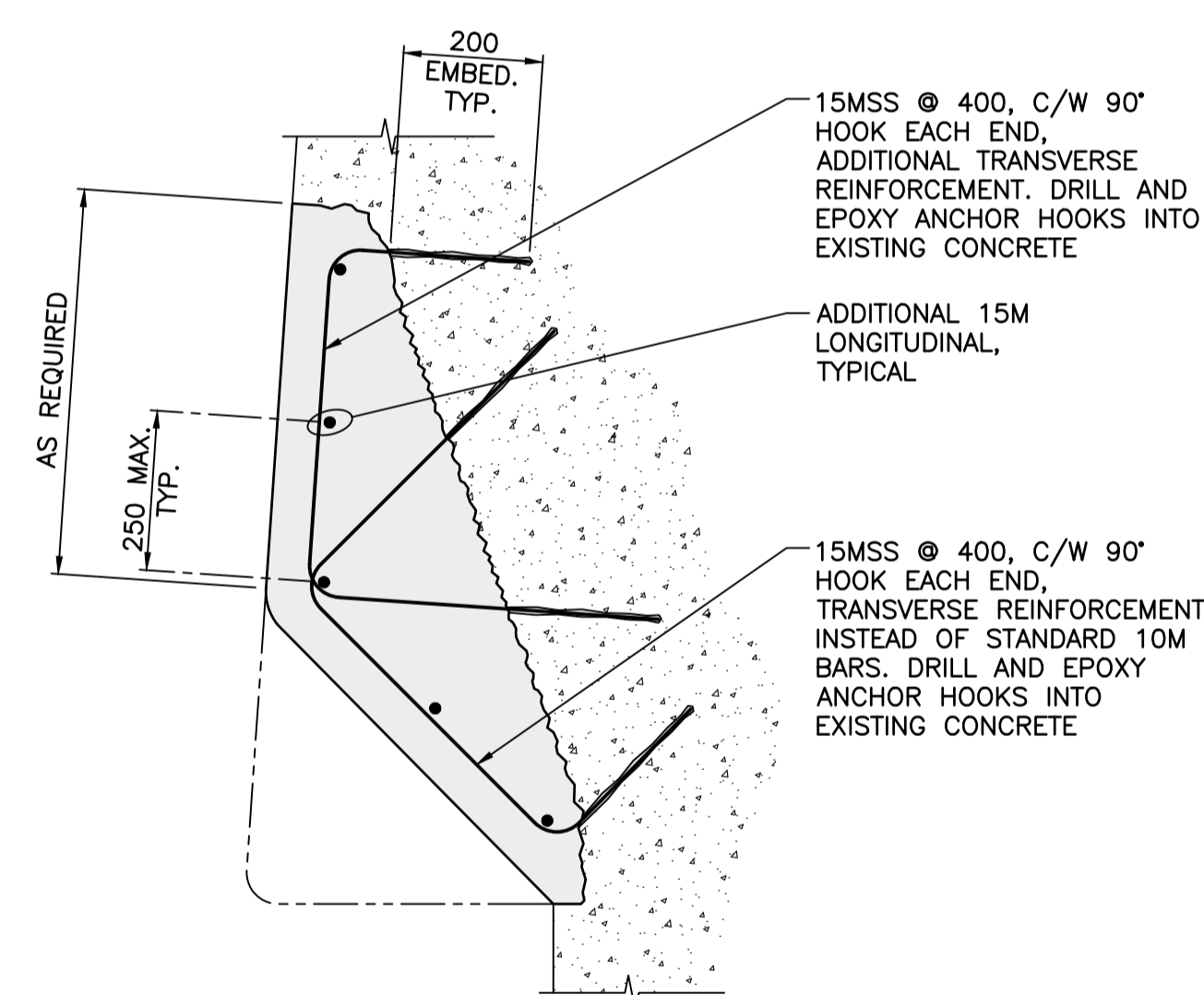


TYPE 5B
SCALE 1:10



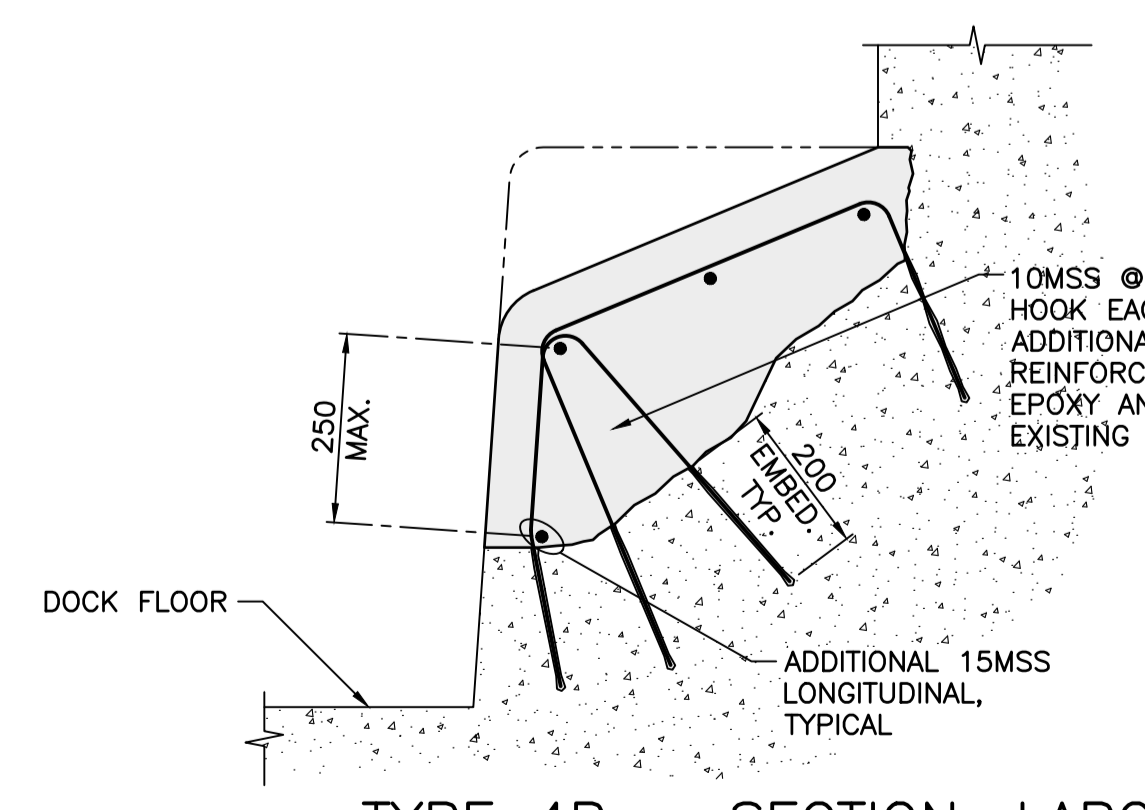
TYPE 5C
SCALE 1:10

TYPE 5 - CORNER CONCRETE REPAIR



TYPE 4T - SECTION, LARGE TOP PIPE CHASE REPAIR

SCALE 1:10
NOTE: SIMILAR TO TYPE 4 REPAIR, UNLESS NOTED OTHERWISE.



TYPE 4B - SECTION, LARGE BOTTOM PIPE CHASE REPAIR

SCALE 1:10
NOTE: SIMILAR TO TYPE 4 REPAIR, UNLESS NOTED OTHERWISE.

- NOTES:**
- FOR GENERAL NOTES SEE DWG. S001.
 - REVERSE BEVEL SAW CUT, SEE DWG. S581.



Revision/Revision	Description/Description	Date/Date
C	TENDER	2021.01.07
B	90% REVIEW	2020.07.10
A	75% REVIEW	2020.05.20

PUBLIC WORKS AND GOVERNMENT SERVICES CANADA

Project title/Titre du projet
ESQUIMALT GRAVING DOCK
825 ADMIRALS ROAD, VICTORIA, BC

ESQUIMALT GRAVING DOCK EAST END EXTENSION AND SECTION 3 DOCK FLOOR AND WALL REFURBISHMENT

Consultant Signature Only

Designed by/Concept par
CTA

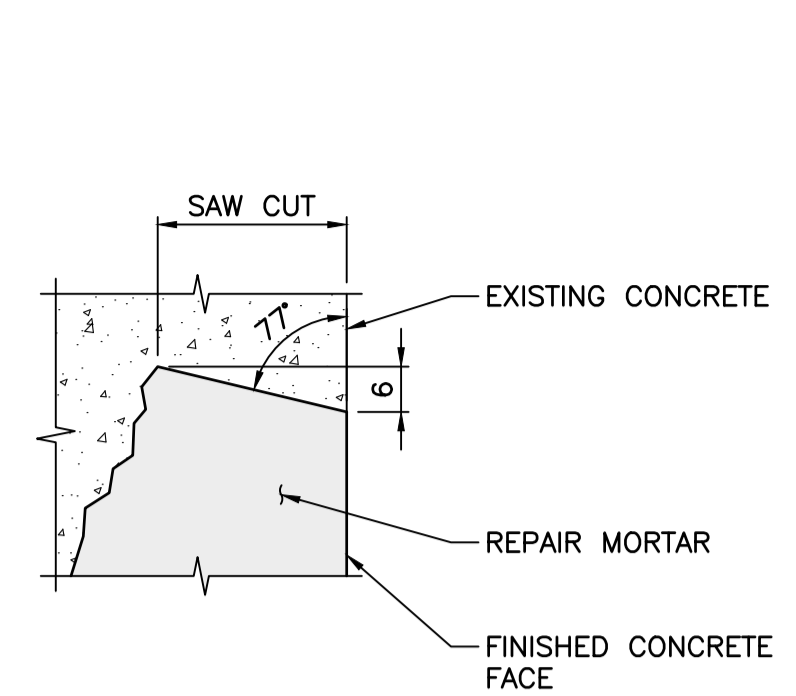
Drawn by/Dessiné par
ADS/JJMC

PWGSC Project Manager/Administrateur de Projets TPSCG
EUGENE YEUNG

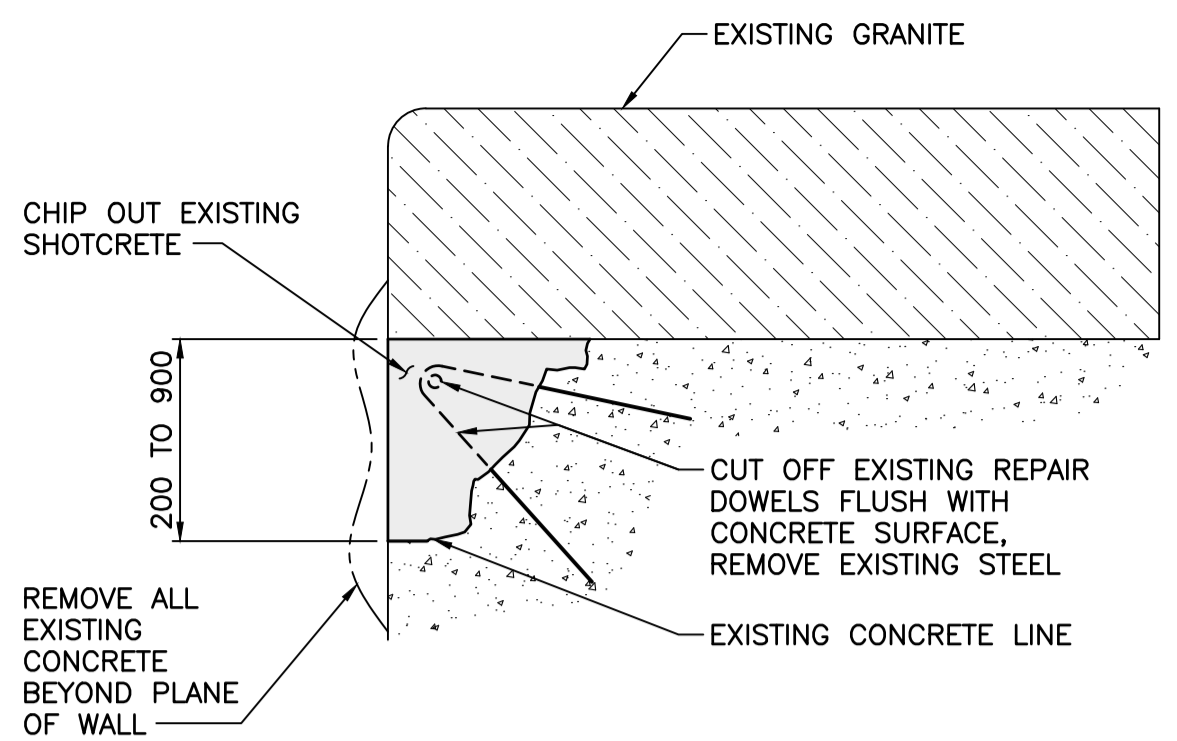
Regional Manager, Architectural and Engineering Services
Regional Manager, Environmental Services
PREETIPAL PAUL

Drawing title/Titre du dessin
WALL AND STAIR REPAIR DETAILS - SHEET 1

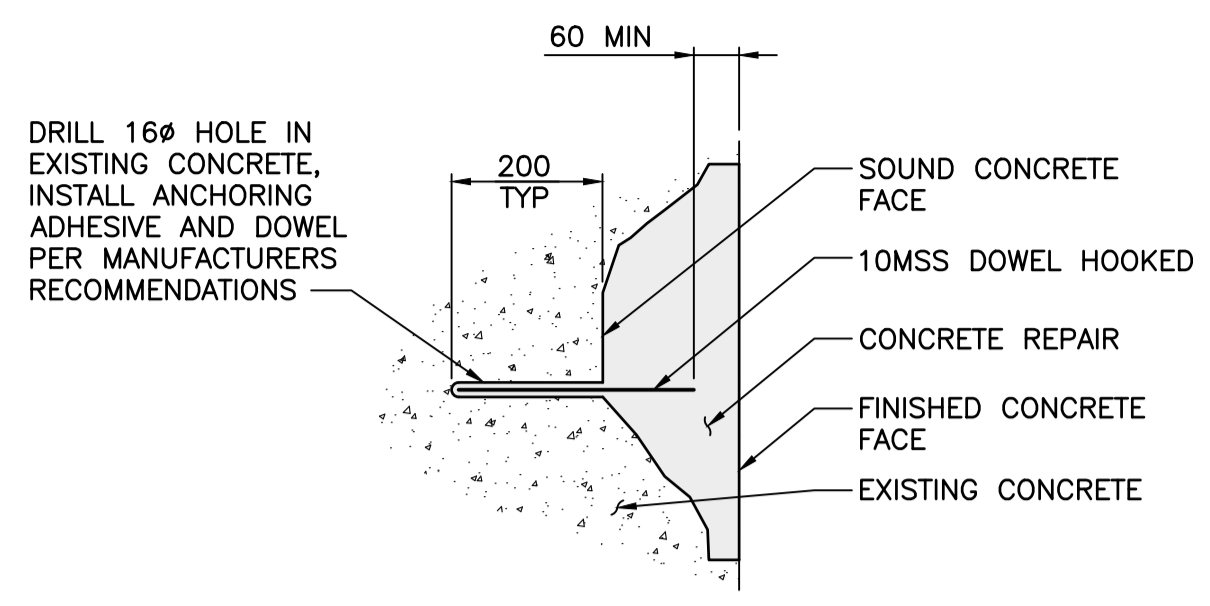
Project No./No. du projet R.096320.002	Sheet/Fauille S580	Revision no./Révision no. C
--	------------------------------	---------------------------------------



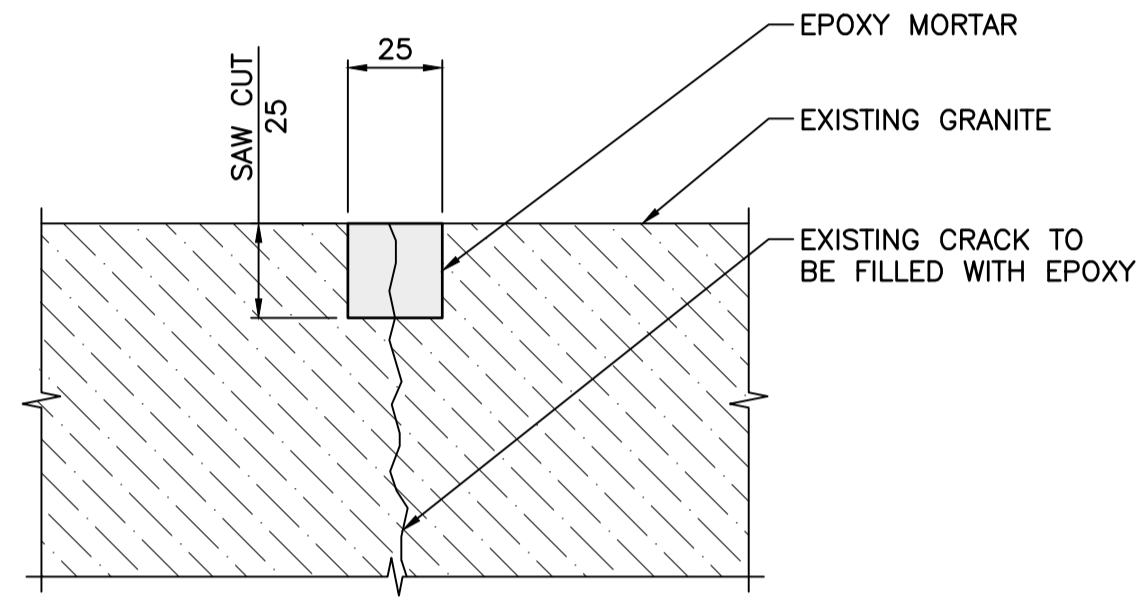
DETAIL - REVERSE BEVEL SAW CUT
SCALE 1:1



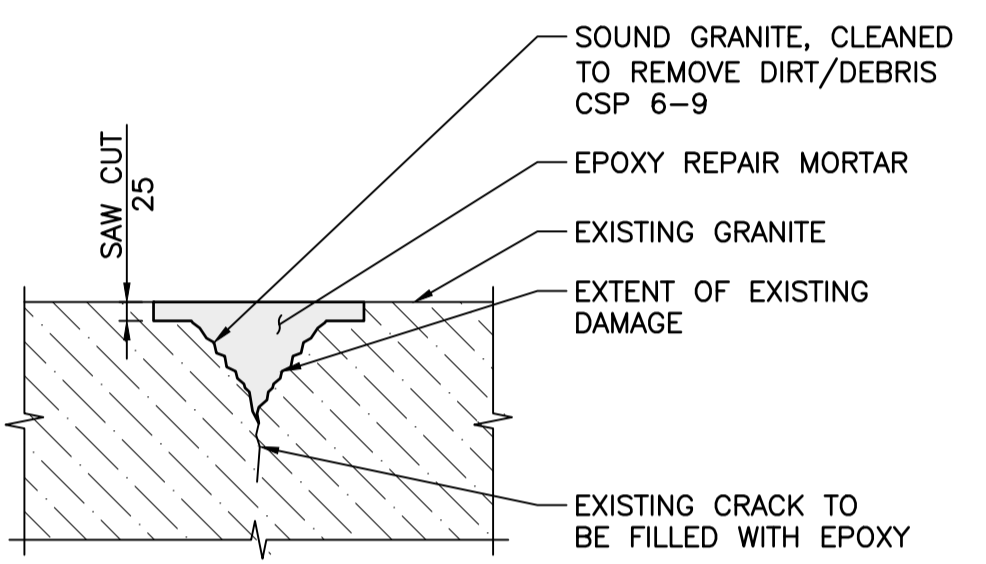
SECTION - CONCRETE DEMO AT ALTAR
SCALE 1:10



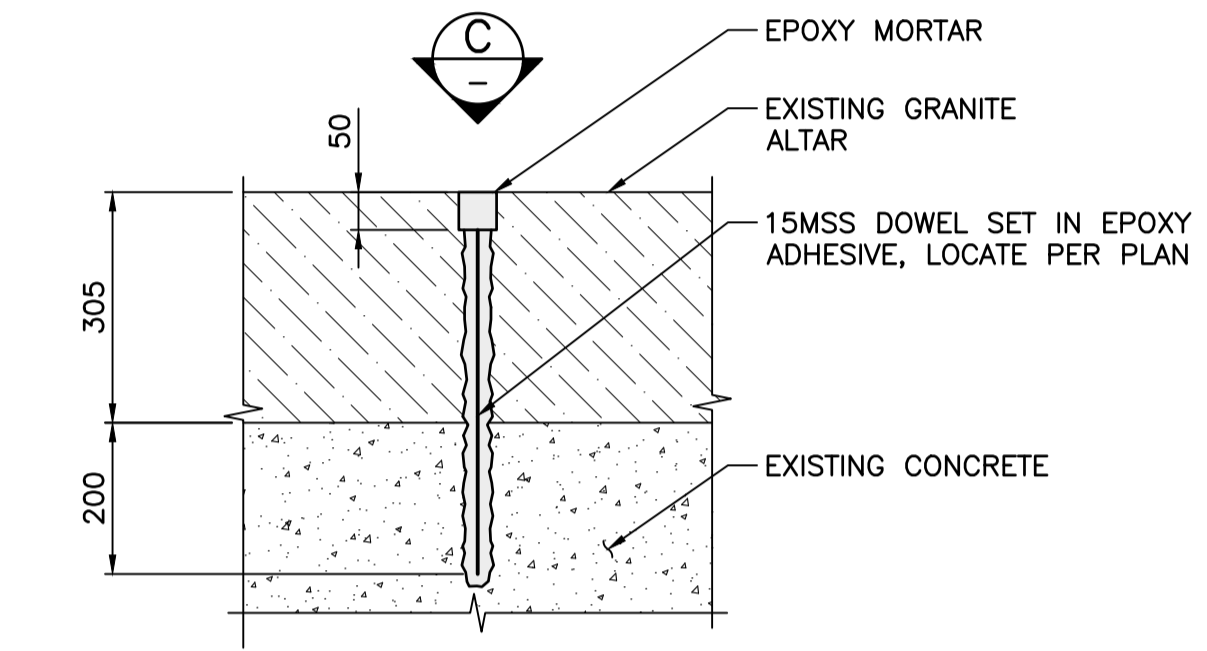
SECTION - TYPICAL DOWEL
SCALE 1:10



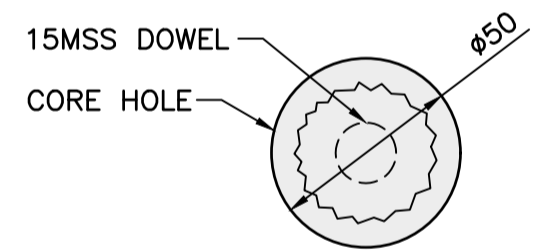
SMALL CRACK REPAIR <25MM WIDE
SCALE 1:2



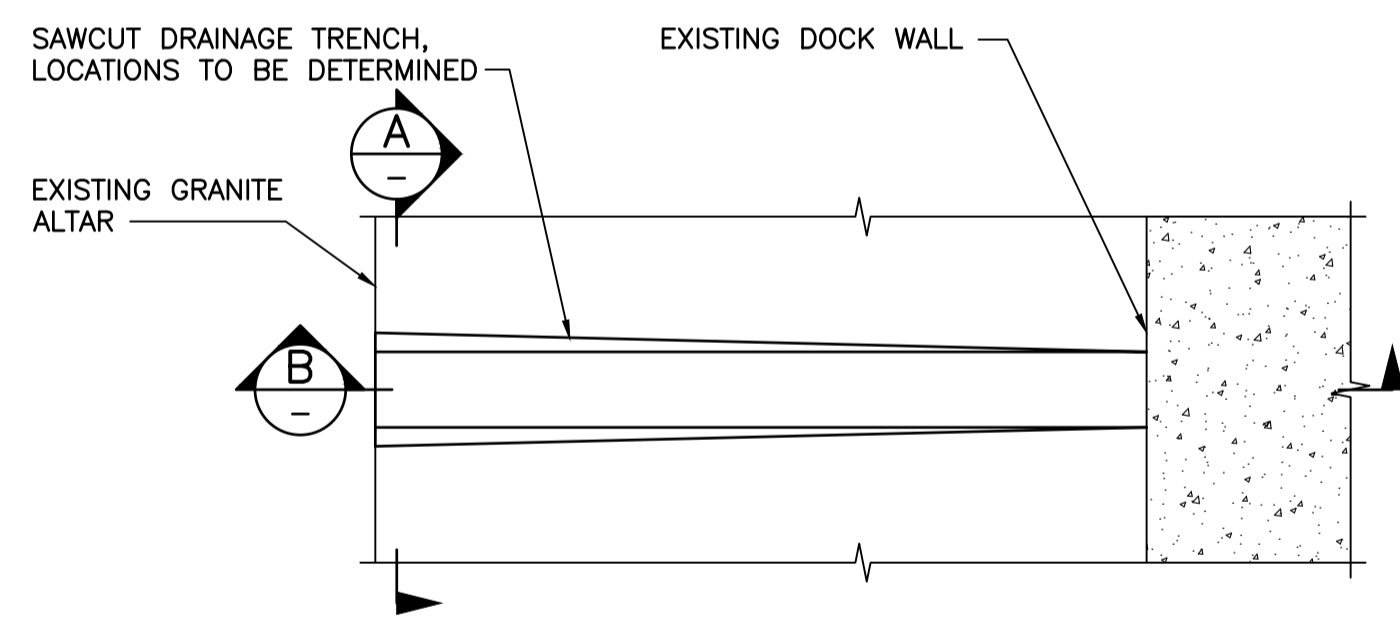
LARGE CRACK REPAIR >25MM WIDE
SCALE 1:10



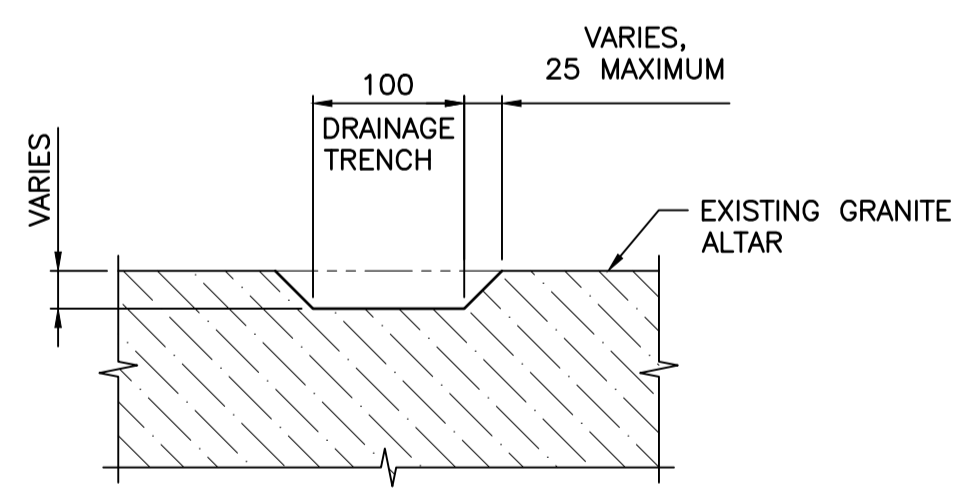
1 DETAIL - GRANITE ALTAR ANCHOR
SCALE 1:10



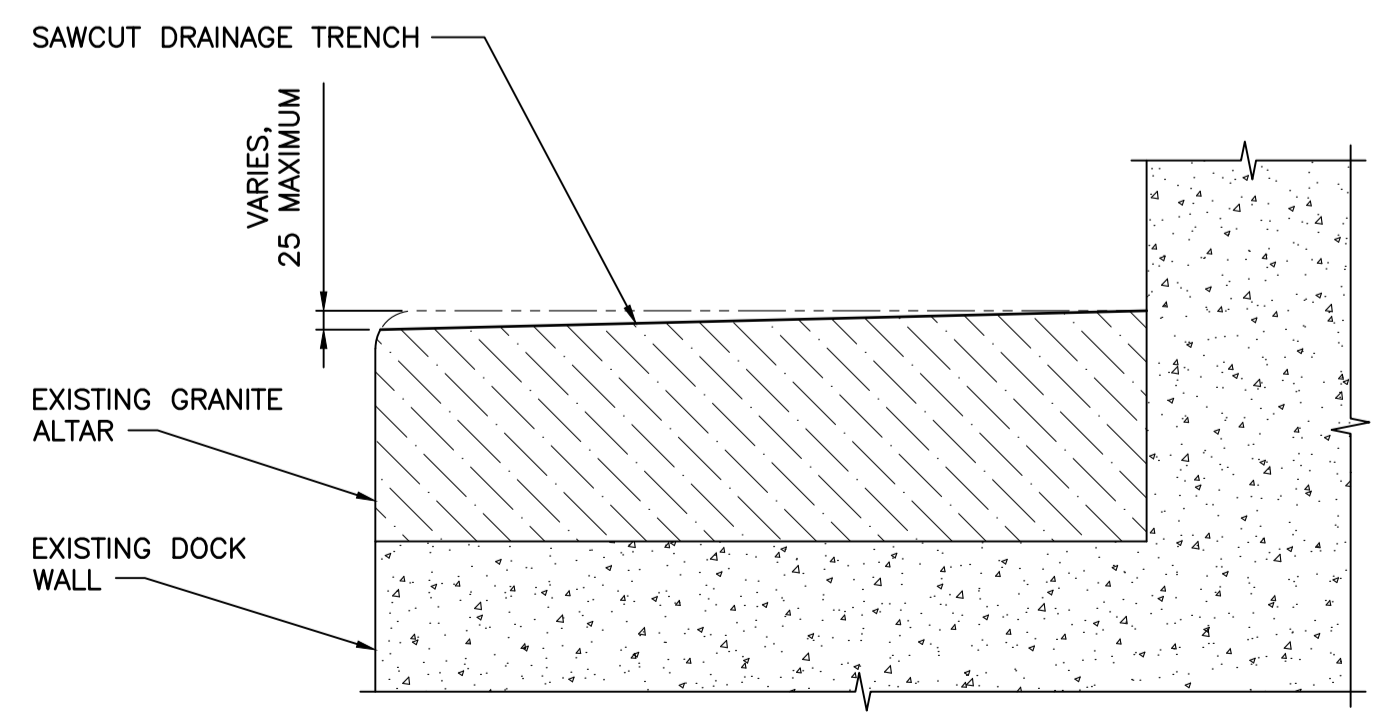
C VIEW
SCALE 1:2



PLAN - GRANITE ALTAR DRAINAGE SLOT
SCALE 1:10



A SECTION
SCALE 1:5



B SECTION
SCALE 1:10

NOTES:
1. FOR GENERAL NOTES SEE DWG. S001.

Revision/Revision	Description/Description	Date/Date
C	TENDER	2021.01.07
B	90% REVIEW	2020.07.10
A	75% REVIEW	2020.05.20

PUBLIC WORKS AND GOVERNMENT SERVICES CANADA

Project title/Titre du projet
**ESQUIMALT GRAVING DOCK
825 ADMIRALS ROAD, VICTORIA, BC**

**ESQUIMALT GRAVING DOCK
EAST END EXTENSION AND
SECTION 3 DOCK FLOOR
AND WALL REFURBISHMENT**

Consultant Signature Only

Designed by/Concept par
CTA

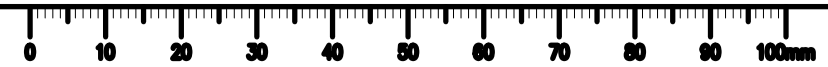
Drawn by/Dessiné par
ADS/JJMC

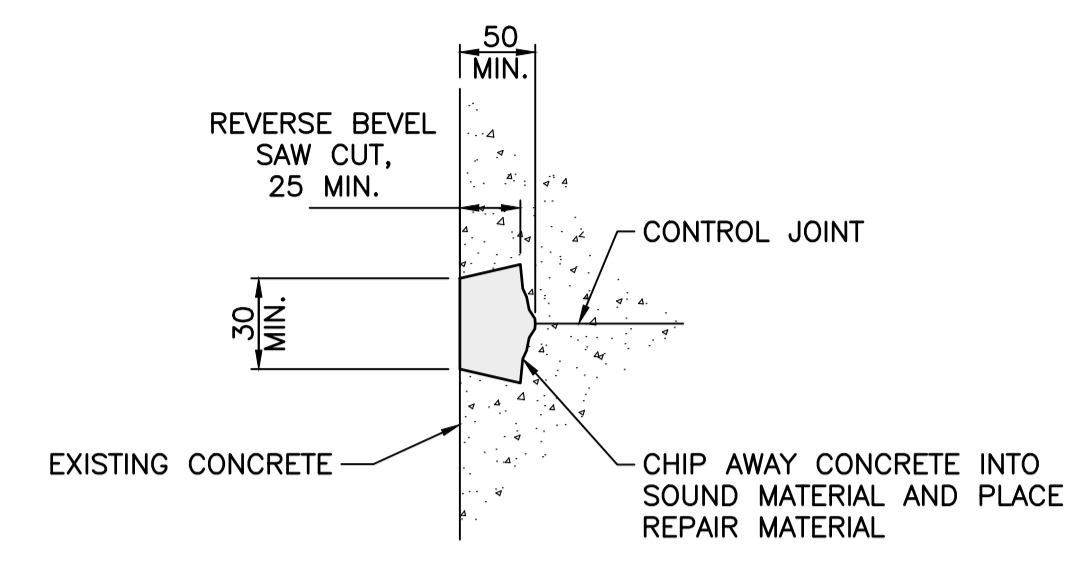
PWGC Project Manager/Administrateur de Projets TPSCG
EUGENE YEUNG

Regional Manager, Architectural and Engineering Services
Regional Manager, Environmental Services
PREETIPAL PAUL

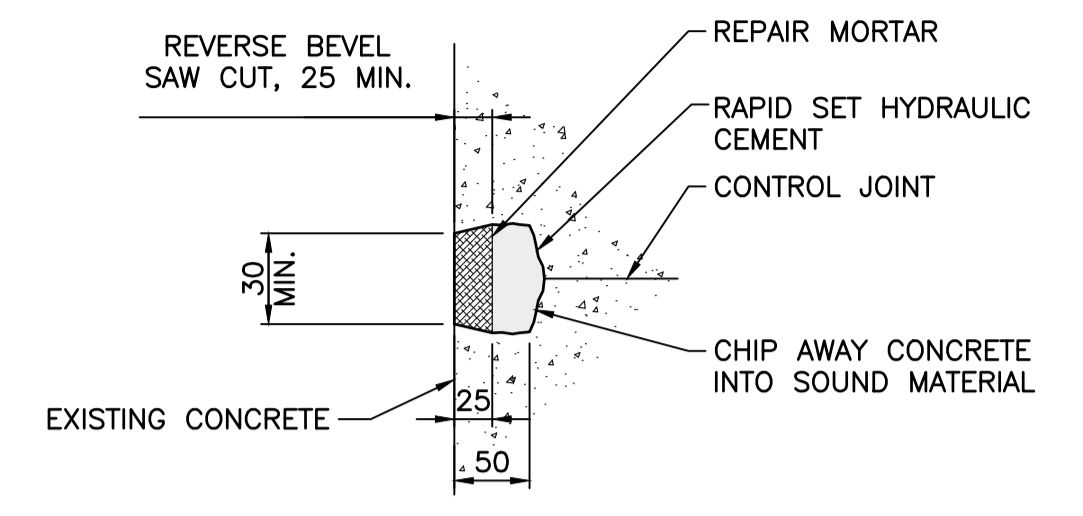
Drawing title/Titre du dessin
**WALL AND STAIR REPAIR
DETAILS - SHEET 2**

Project No./No. du projet	Sheet/Feuille	Revision no./La Révision no.
R.096320.002	S581	C

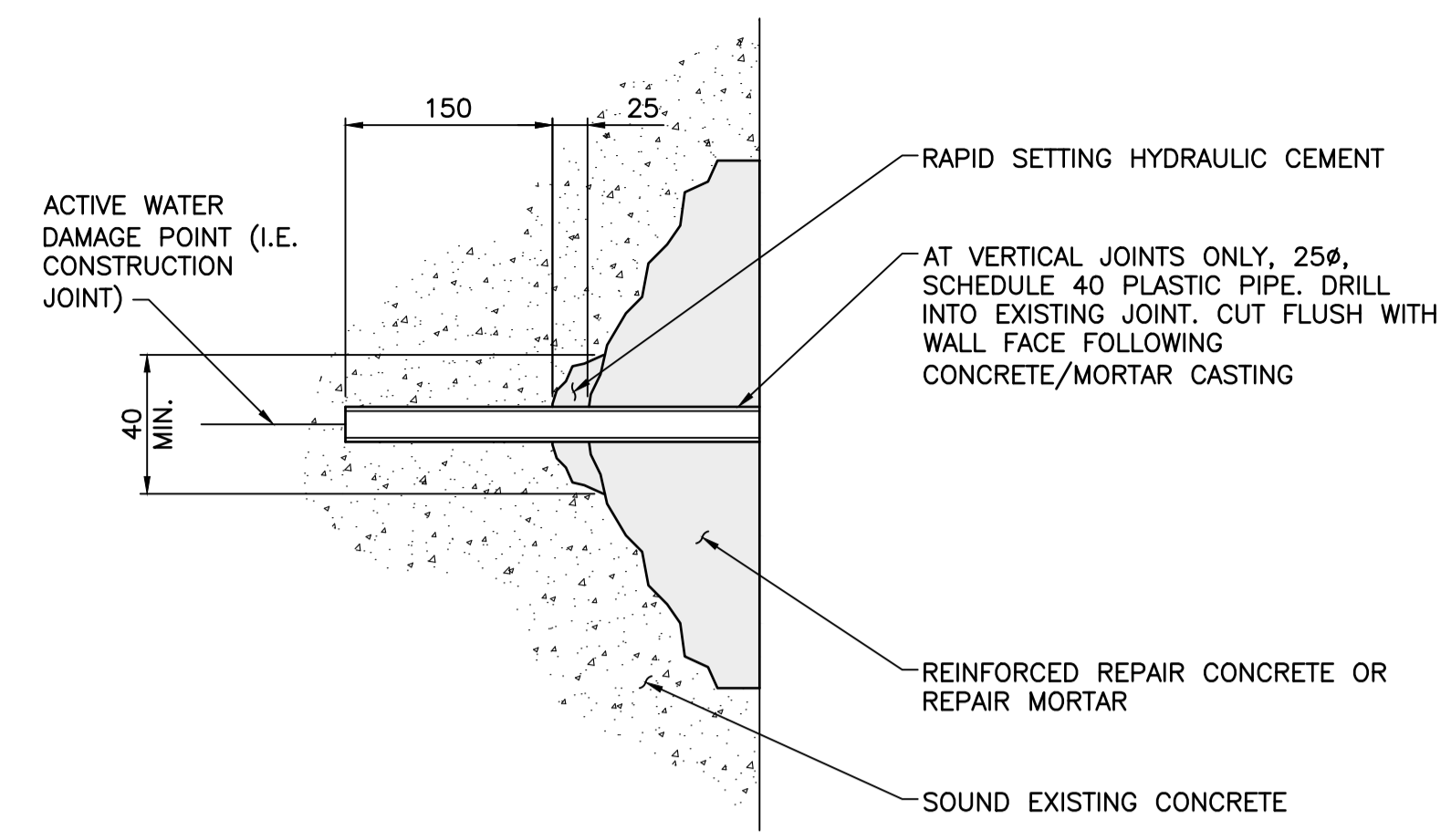




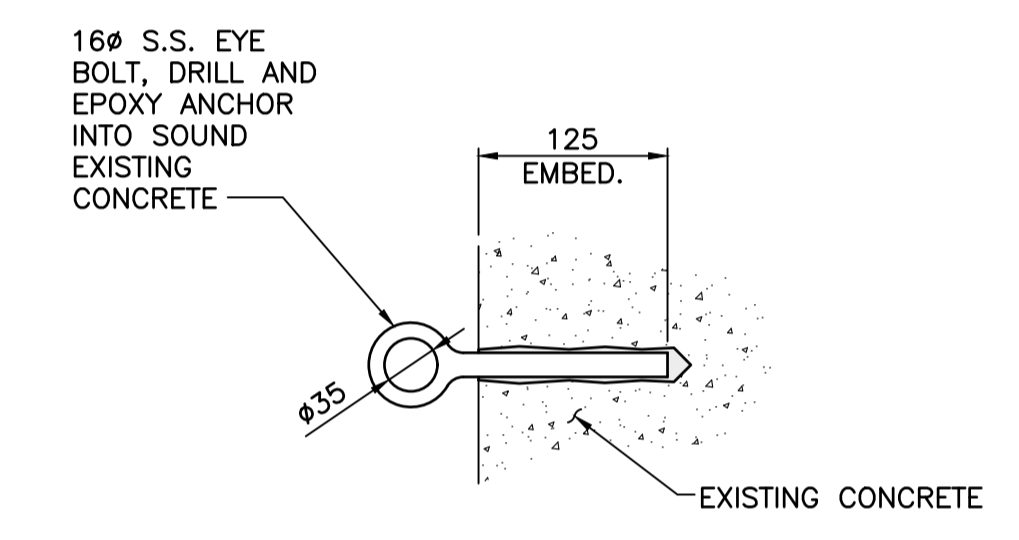
SECTION - REPAIR TYPE 1D
SCALE 1:5
NOTE: INCREASE WIDTH OF REPAIR TO SUIT DAMAGE AT COLD JOINT INTERSECTION



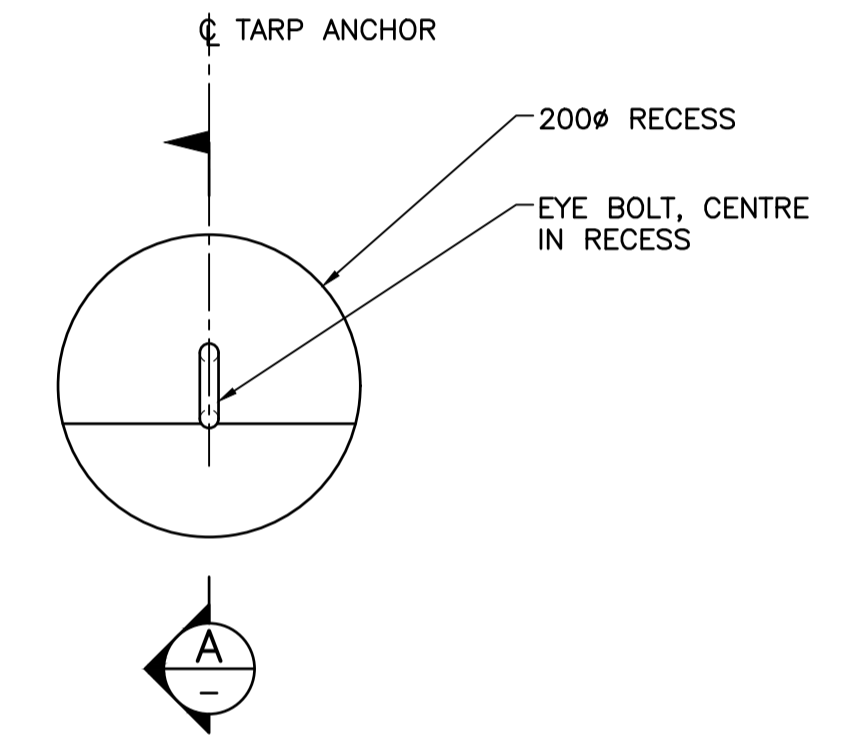
SECTION - REPAIR TYPE 1D LEAKING
SCALE 1:5



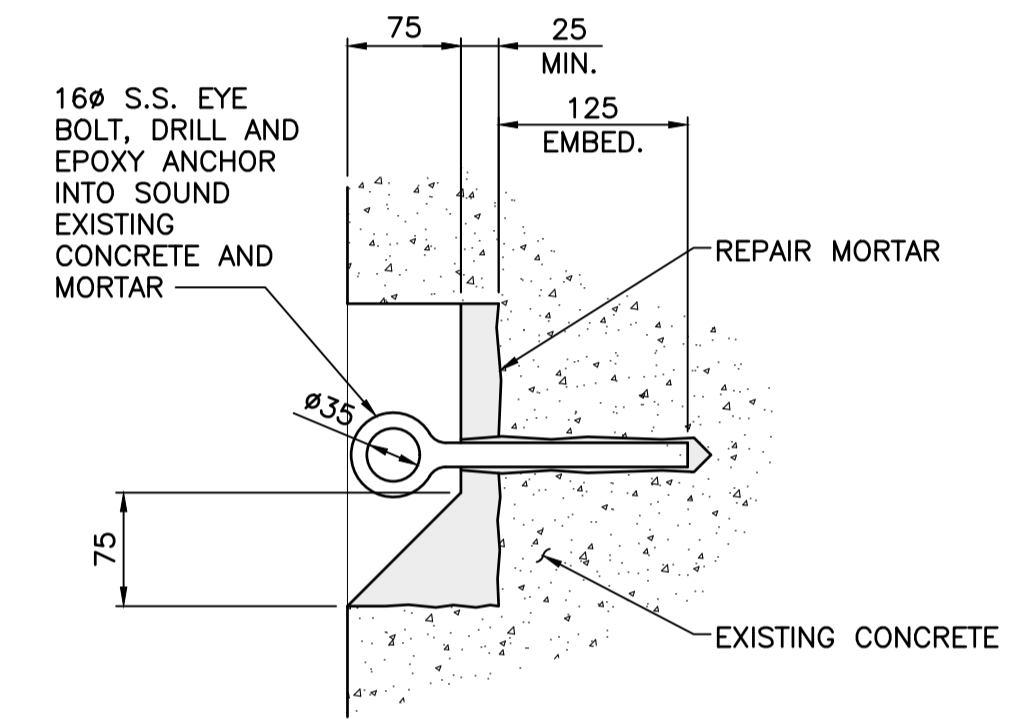
SECTION - LEAKING JOINT REPAIR
SCALE 1:5



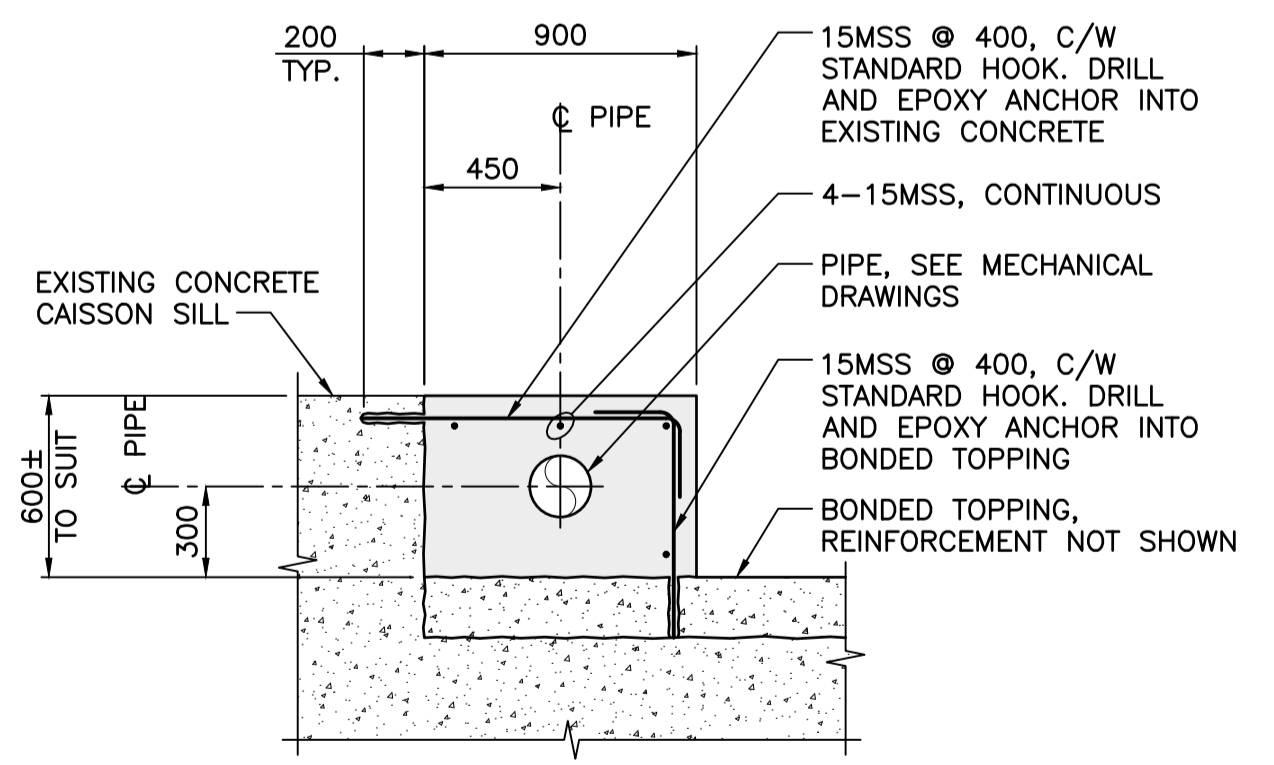
SECTION - TARP ANCHOR
SCALE 1:5



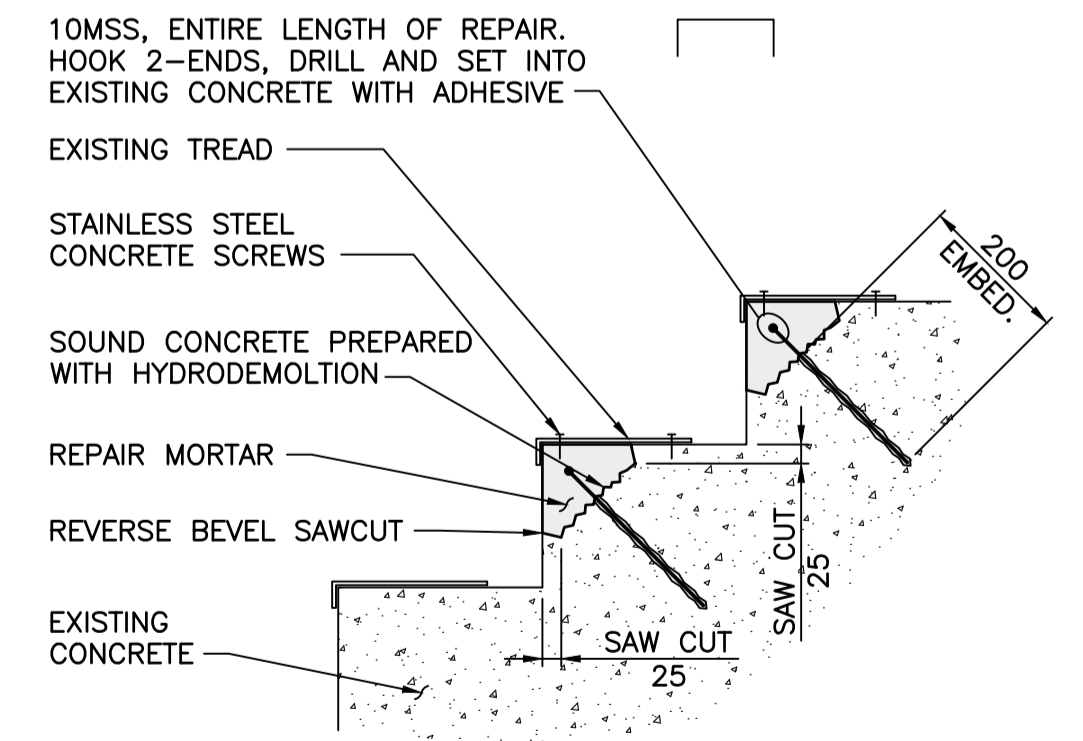
ELEVATION - RECESSED TARP ANCHOR
SCALE 1:5



A SECTION
SCALE 1:5



SECTION - PIPE CHASE CURB
SCALE 1:25



SECTION - STAIR TREAD REPAIR
SCALE 1:10



Revision/	Description/Description	Date/Date
C	TENDER	2021.01.07
B	90% REVIEW	2020.07.10
A	70% REVIEW	2020.05.20

Client/client
PUBLIC WORKS AND GOVERNMENT SERVICES CANADA

Project title/Titre du projet
**ESQUIMALT GRAVING DOCK
825 ADMIRALS ROAD, VICTORIA, BC**

**ESQUIMALT GRAVING DOCK
EAST END EXTENSION AND
SECTION 3 DOCK FLOOR
AND WALL REFURBISHMENT**

Consultant Signature Only

Designed by/Concept par
CTA

Drawn by/Dessiné par
ADS/JJMC

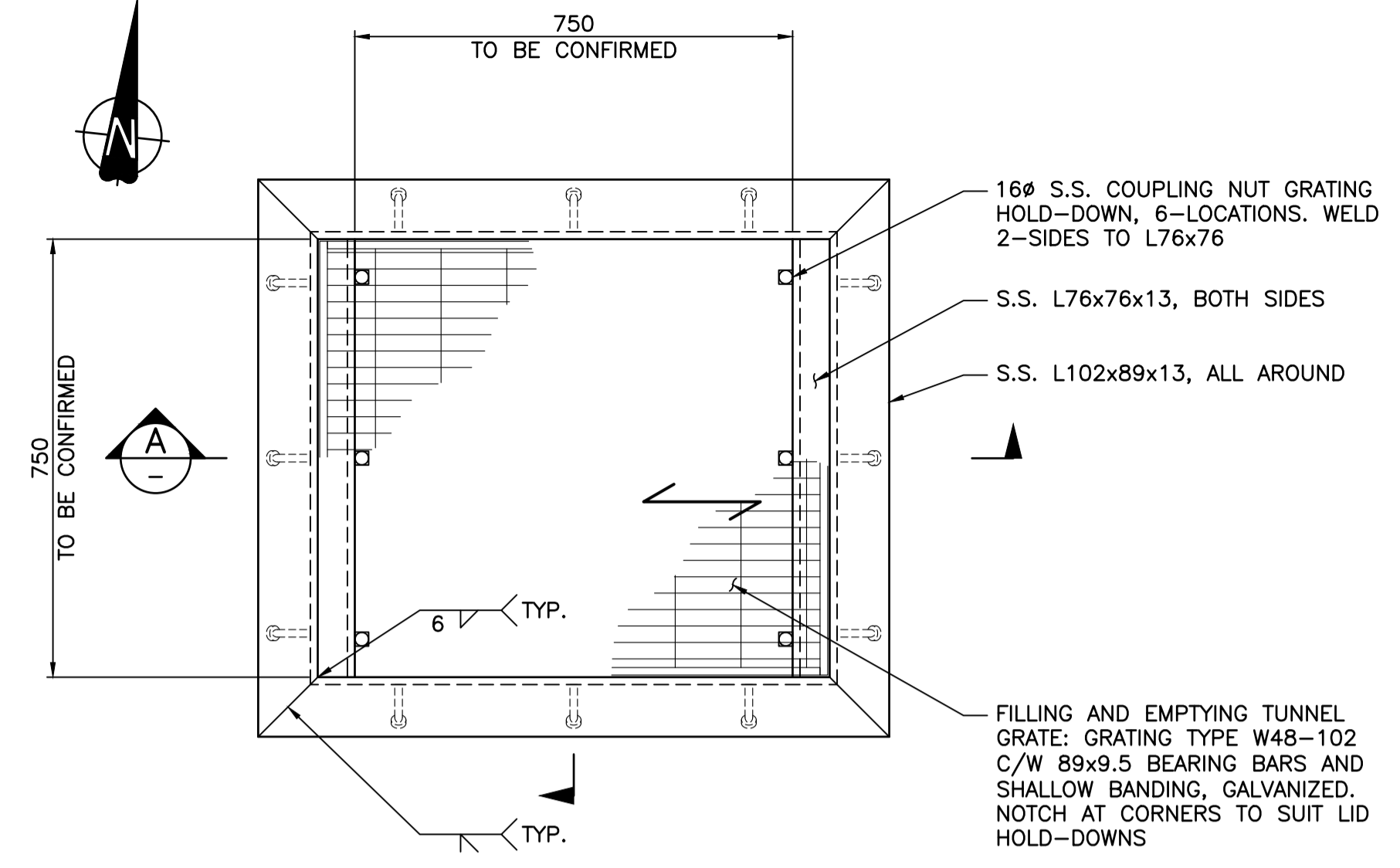
PWGC Project Manager/Administrateur de Projets TPSCG
EUGENE YEUNG

Regional Manager, Architectural and Engineering Services
Regional Manager, Environmental Services
PREETIPAL PAUL

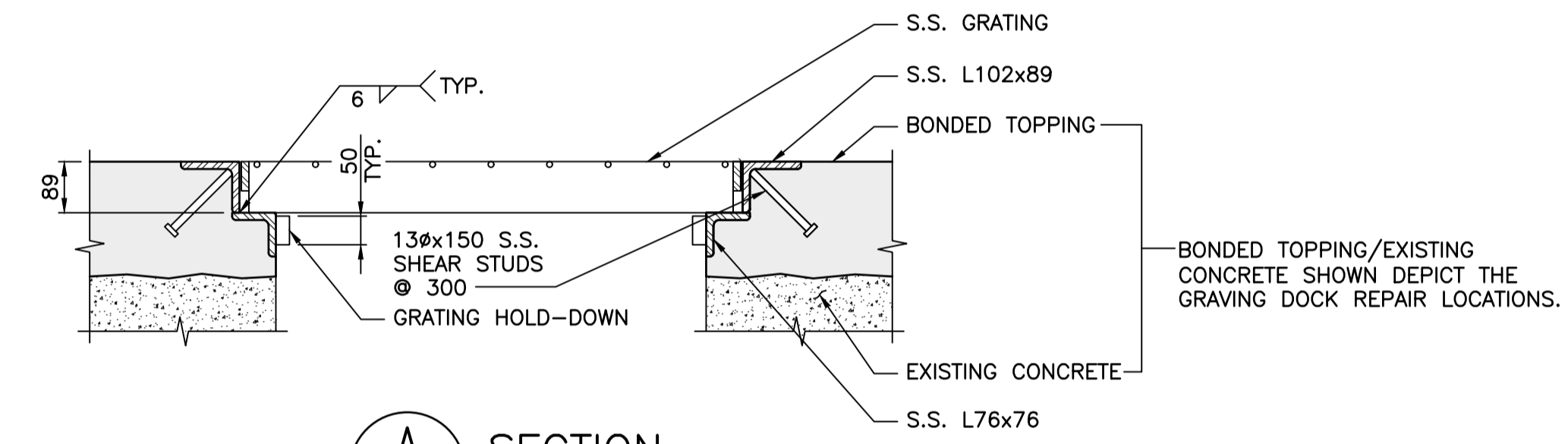
Drawing title/Titre du dessin
**WALL AND STAIR REPAIR
DETAILS - SHEET 3**

Project No./No. du projet	Sheet/Feuille	Revision no./La Révision no.
R.096320.002	S582	C

- NOTES:**
- FOR GENERAL NOTES SEE DWG. S001.
 - REVERSE BEVEL SAW CUT, SEE DWG. S581.



PLAN – FILLING AND EMPTYING TUNNEL FRAME AND GRATING
SCALE 1:10



A SECTION
SCALE 1:10
NOTE: REINFORCEMENT NOT SHOWN.
NOTE: SECTION DEPICTS FILLING AND EMPTYING TUNNEL FRAME AND GRATING AT GRAVING DOCK REPAIR LOCATIONS. THOSE WITHIN EAST END EXTENSION ARE SIMILAR.



Revision/	Description/Description	Date/Date
C	TENDER	2021.01.07
B	90% REVIEW	2020.07.10
A	75% REVIEW	2020.05.20

Client/client
PUBLIC WORKS AND GOVERNMENT SERVICES CANADA

Project title/Titre du projet
**ESQUIMALT GRAVING DOCK
825 ADMIRALS ROAD, VICTORIA, BC**

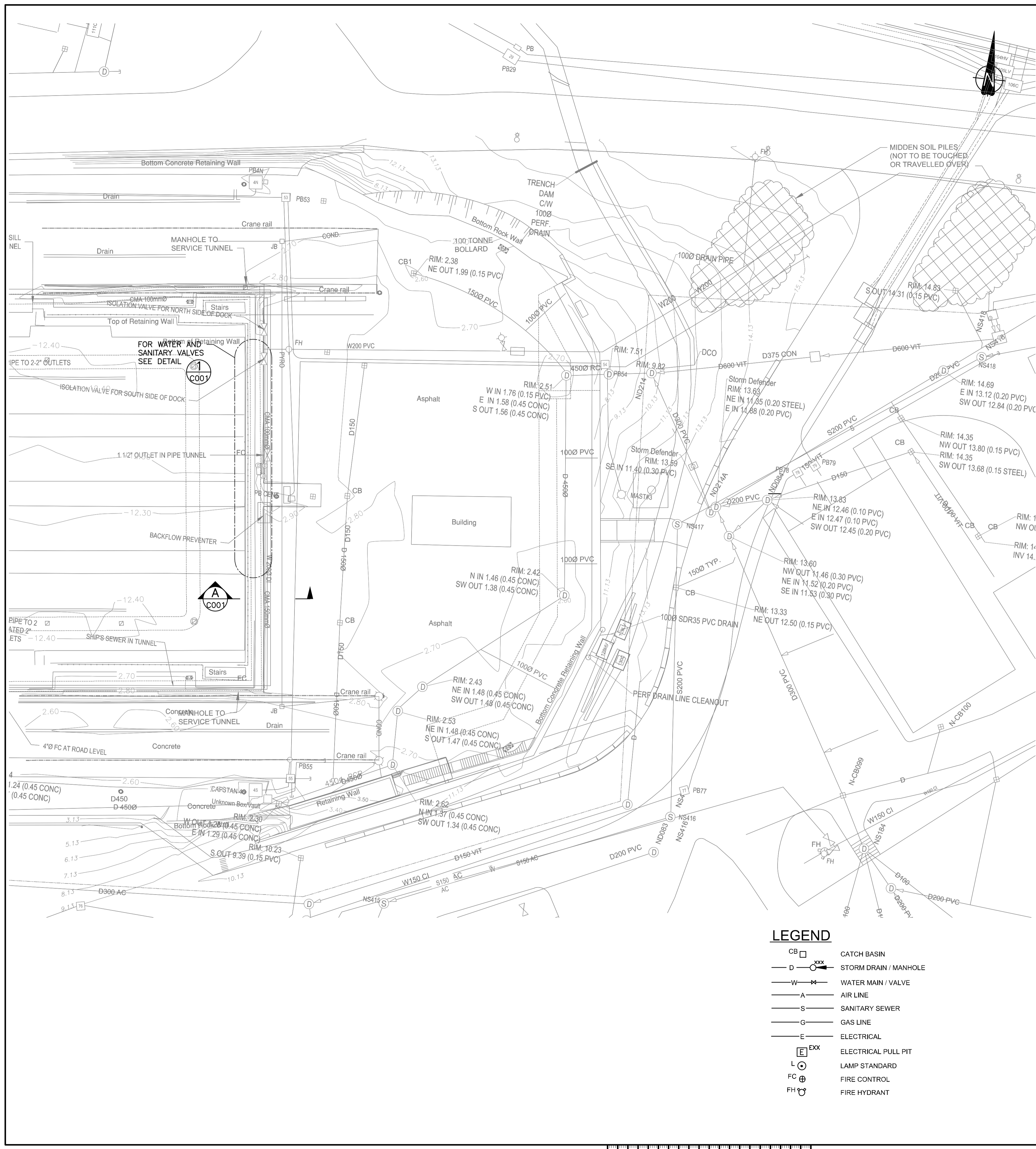
ESQUIMALT GRAVING DOCK EAST END EXTENSION AND SECTION 3 DOCK FLOOR AND WALL REFURBISHMENT

Consultant Signature Only
Designed by/Concept par
CTA
Drawn by/Dessiné par
JJMC
PWGSC Project Manager/Administrateur de Projets TPSGC
EUGENE YEUNG
Regional Manager, Architectural and Engineering Services
Regional Manager, Environmental Services
PREETIPAL PAUL

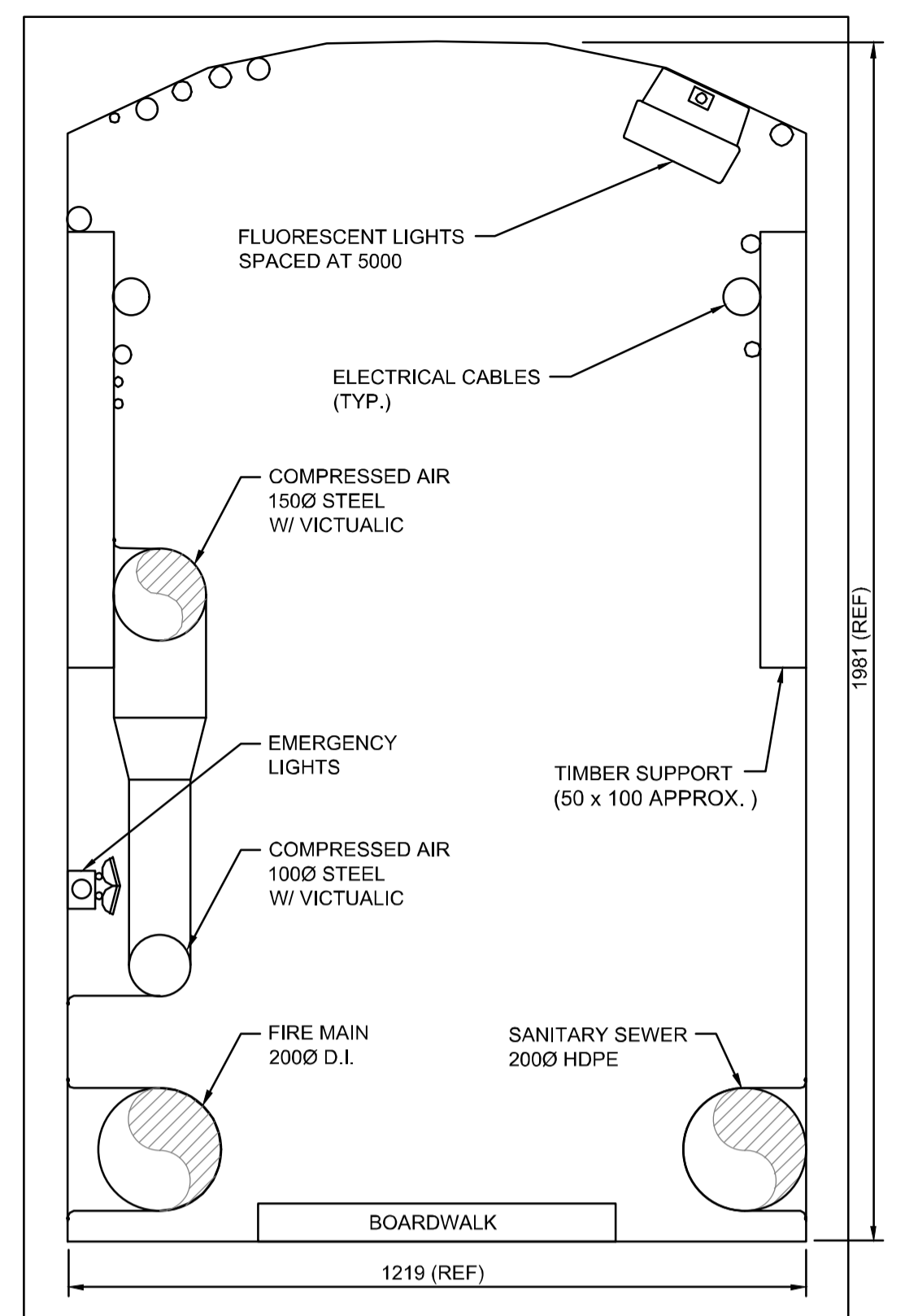
Drawing title/Titre du dessin
STEEL DETAILS

Project No./No. du projet	Sheet/Feuille	Revision no./La Révision no.
R.096320.002	S590	C

NOTES:
1. FOR GENERAL NOTES SEE DWG. S001.

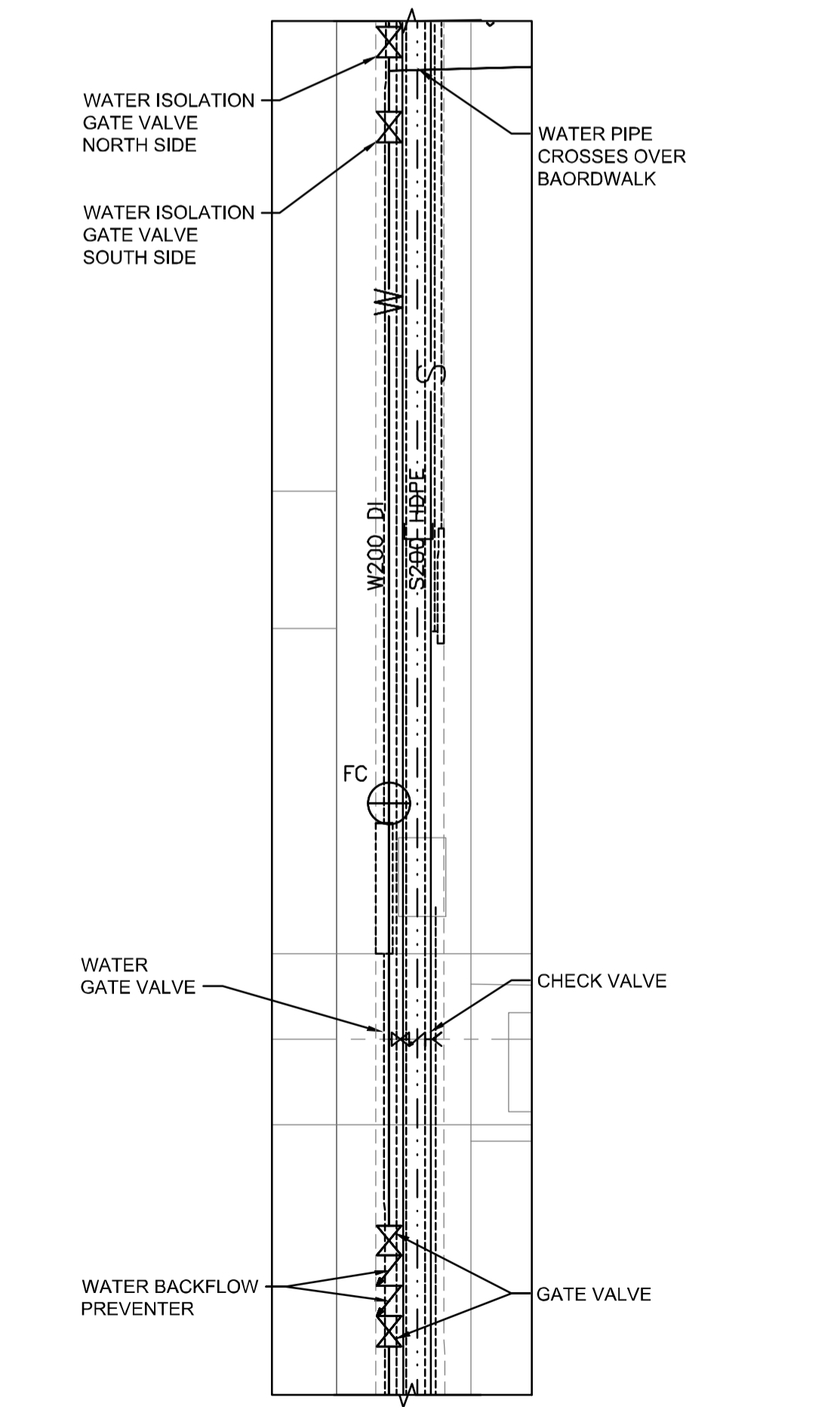


- LEGEND**
- CB □ CATCH BASIN
 - D ○ STORM DRAIN / MANHOLE
 - W — WATER MAIN / VALVE
 - A — AIR LINE
 - S — SANITARY SEWER
 - G — GAS LINE
 - E — ELECTRICAL
 - E^{EXX} — ELECTRICAL PULL PIT
 - L ○ LAMP STANDARD
 - FC ⊕ FIRE CONTROL
 - FH ⊕ FIRE HYDRANT



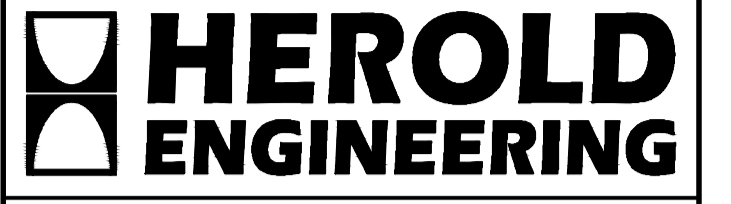
A SECTION A
C001 SCALE 1:10

TYPICAL SERVICE TUNNEL SECTION
SEE NOTE 2.



1 DETAIL
C001 SCALE 1:100

PLAN VIEW INSIDE SERVICE TUNNEL



HEL JOB FILE: 3191-017



Revision/	Description/Description	Date/Date
D	ISSUED FOR TENDER	2021.01.07
C	99% REVIEW	2020.07.10
B	REVIEW	2020.07.03
A	75% REVIEW	2020.05.20

Client/client
PUBLIC WORKS AND GOVERNMENT SERVICES CANADA

Project title/Titre du projet
ESQUIMALT GRAVING DOCK
825 ADMIRALS ROAD, VICTORIA, BC

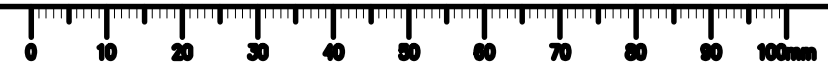
ESQUIMALT GRAVING DOCK
EAST END EXTENSION AND
SECTION 3 DOCK FLOOR AND
WALL REFURBISHMENT

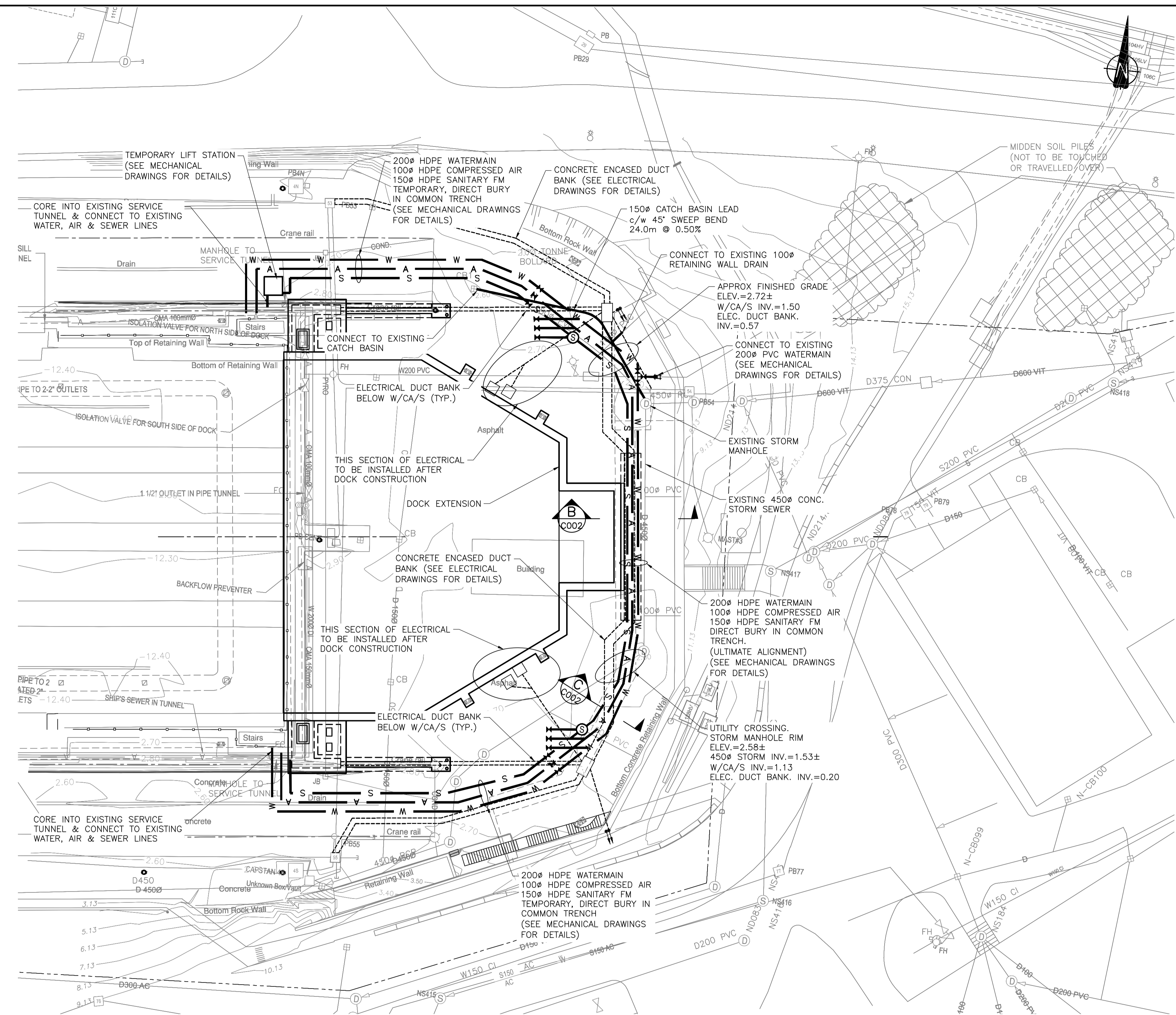
Consultant Signature Only
 Designed by/Concept par
PGR
 Drawn by/Dessiné par
IEB
 PWGSC Project Manager/Administrateur de Projets TPSGC

Regional Manager, Architectural and Engineering Services
 Regional Manager, Environmental Services
PREETIPAL PAUL

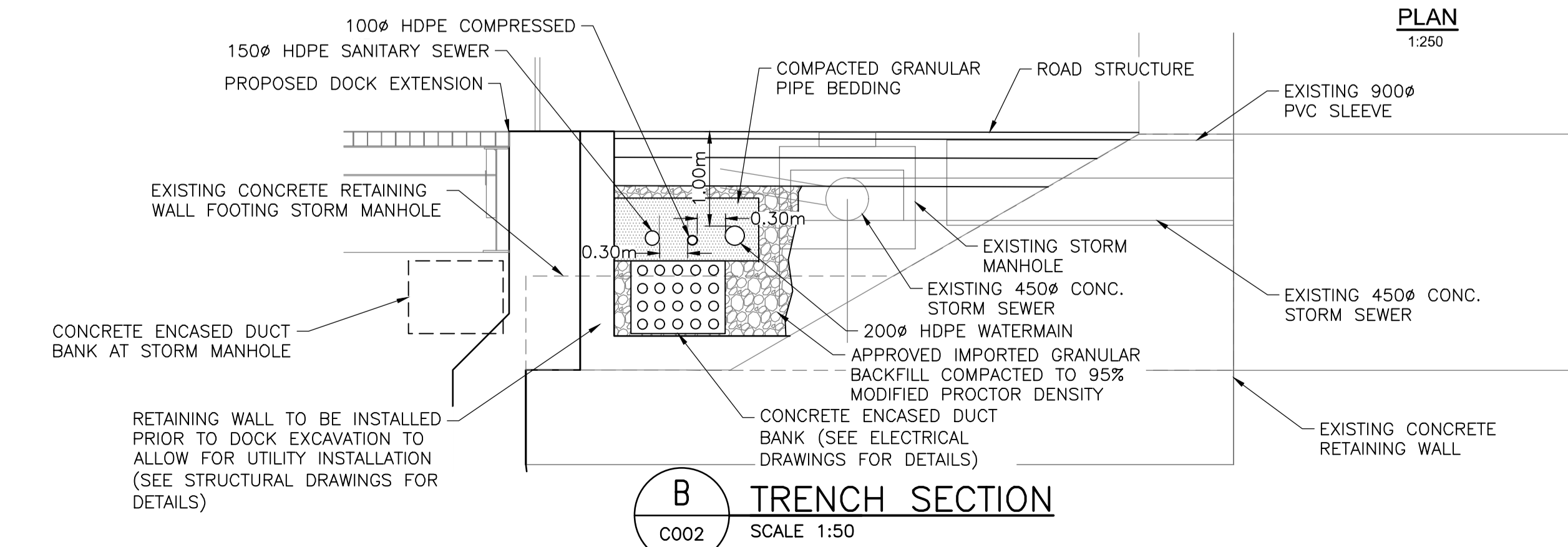
Drawing title/Titre du dessin
EXISTING SERVICES

Project No./No. du projet	Sheet/Feuille	Revision no./Révision no.
R.096320.001	C001	D

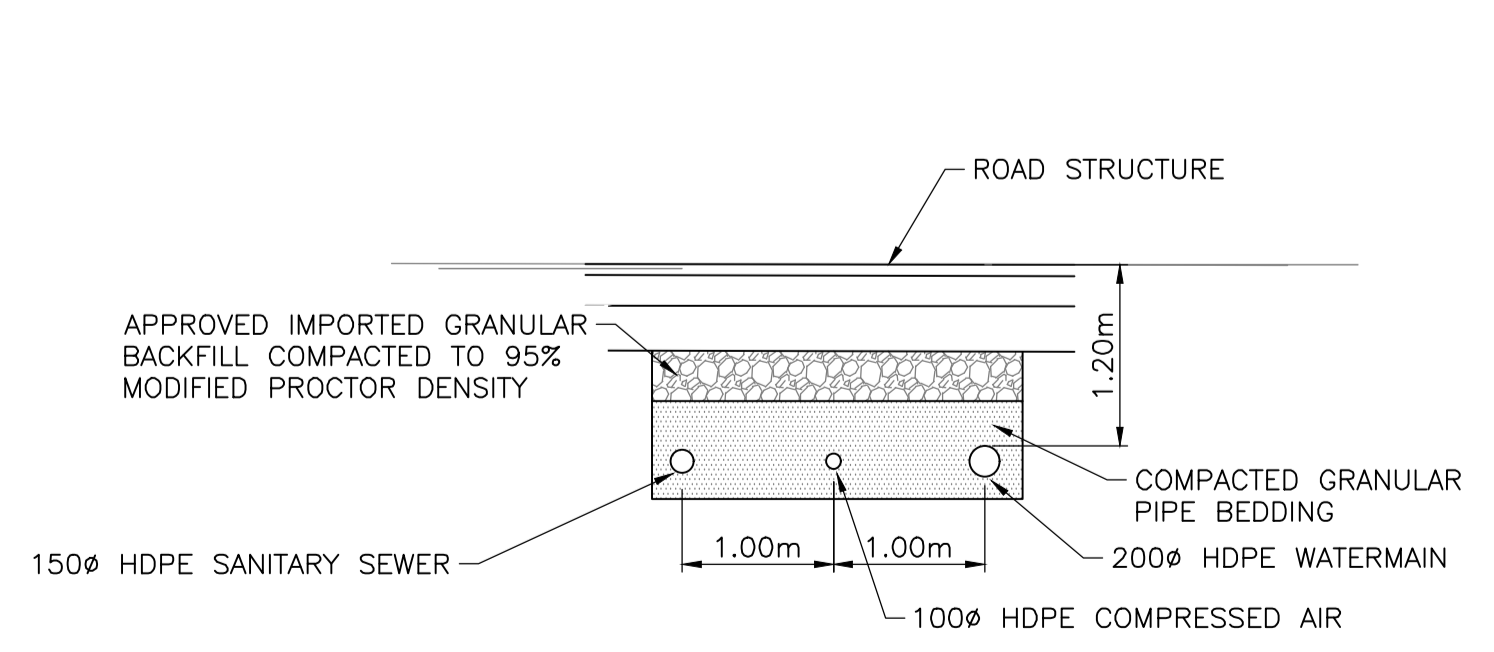




PLAN
1:250



B TRENCH SECTION
SCALE 1:50



C TRENCH SECTION
SCALE 1:50

TO BE READ IN CONJUNCTION WITH BURIED PIPE DETAIL, MECHANICAL DRAWING M301

Revision/	Description/Description	Date/Date
D	ISSUED FOR TENDER	2021.01.07
C	99% REVIEW	2020.07.10
B	REVIEW	2020.07.03
A	75% REVIEW	2020.05.20

Client/client
PUBLIC WORKS AND GOVERNMENT SERVICES CANADA

Project title/Titre du projet
**ESQUIMALT GRAVING DOCK
825 ADMIRALS ROAD, VICTORIA, BC**

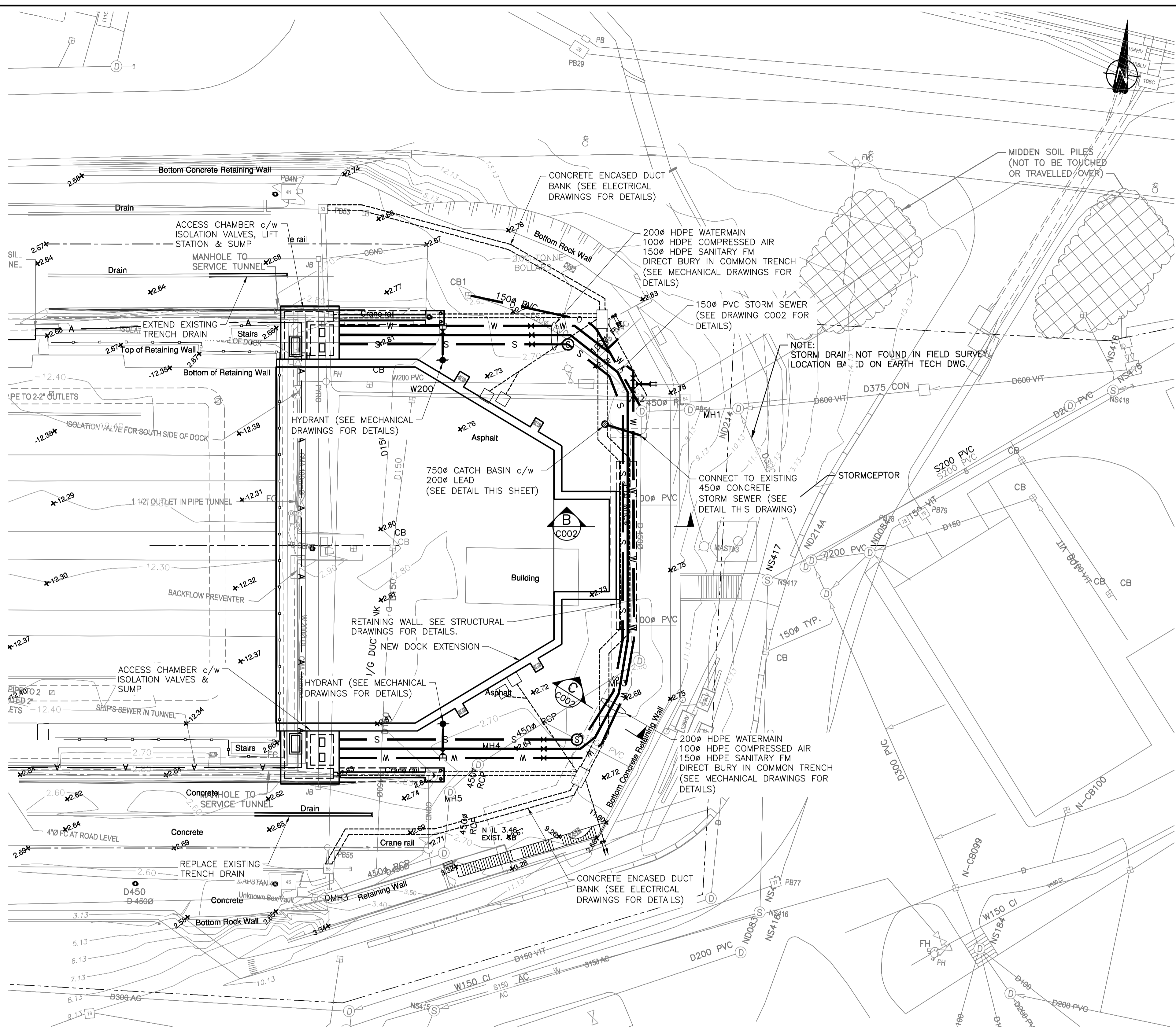
**ESQUIMALT GRAVING DOCK
EAST END EXTENSION AND
SECTION 3 DOCK FLOOR AND
WALL REFURBISHMENT**

Consultant Signature Only
Designed by/Concept par
PGR
Drawn by/Dessiné par
IEB
PWGSC Project Manager/Administrateur de Projets TPSGC

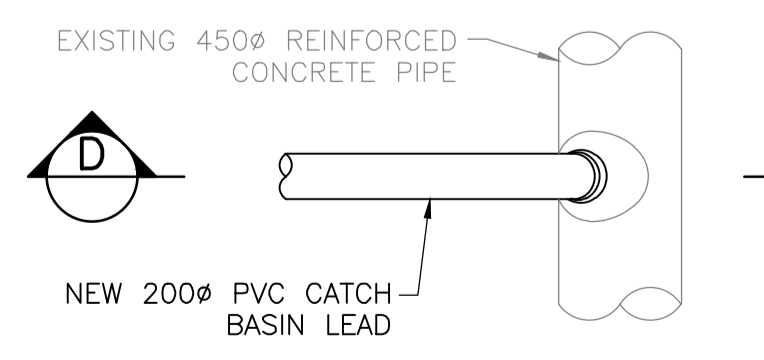
Regional Manager, Architectural and Engineering Services
Regional Manager, Environmental Services
PREETIPAL PAUL

Drawing title/Titre du dessin
TEMPORARY SERVICES

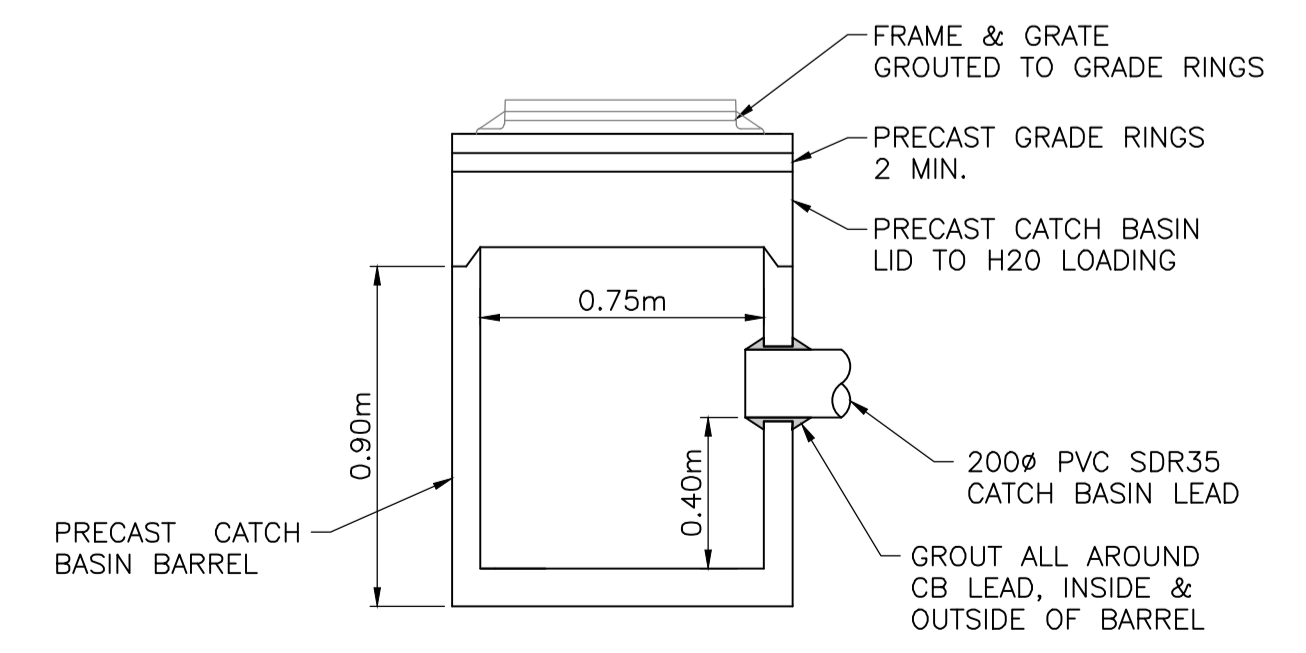
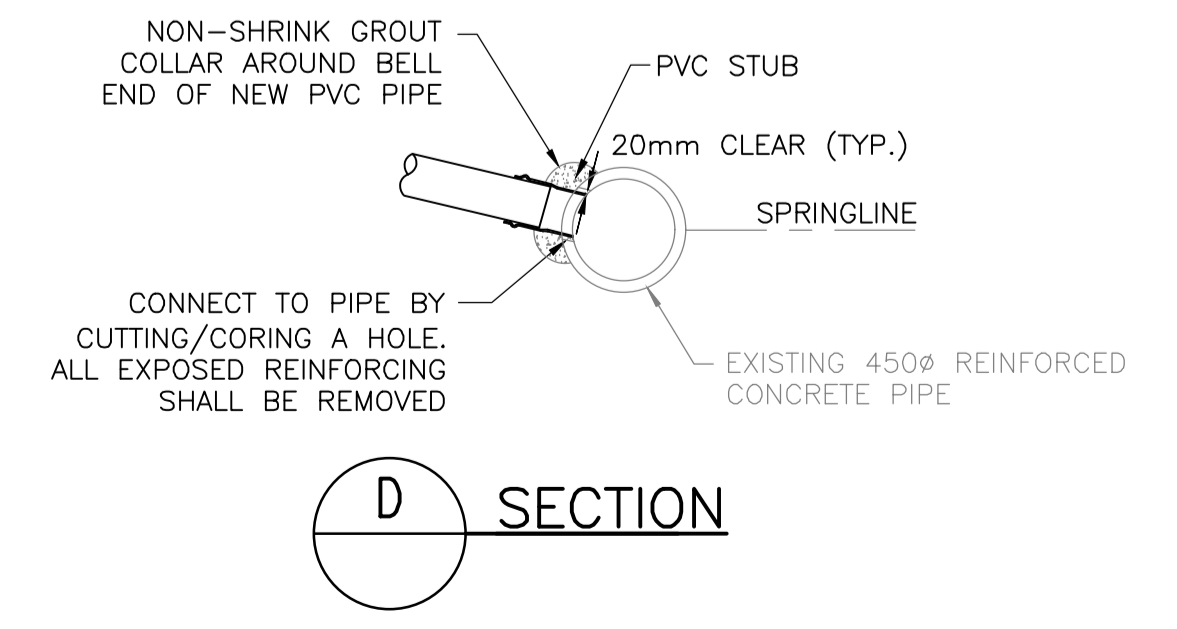
Project No./No. du projet R.096320.001	Sheet/Feuille C002	Revision no./ La Révision no. D
--	------------------------------	--



PLAN 1:250



CATCH BASIN LEAD CONNECTION DETAIL



750 CATCH BASIN DETAIL

Revision/	Description/Description	Date/Date
D	ISSUED FOR TENDER	2021.01.07
C	99% REVIEW	2020.07.10
B	REVIEW	2020.07.03
A	75% REVIEW	2020.05.20

Client/client
PUBLIC WORKS AND GOVERNMENT SERVICES CANADA

Project title/Titre du projet
**ESQUIMALT GRAVING DOCK
 825 ADMIRALS ROAD, VICTORIA, BC**

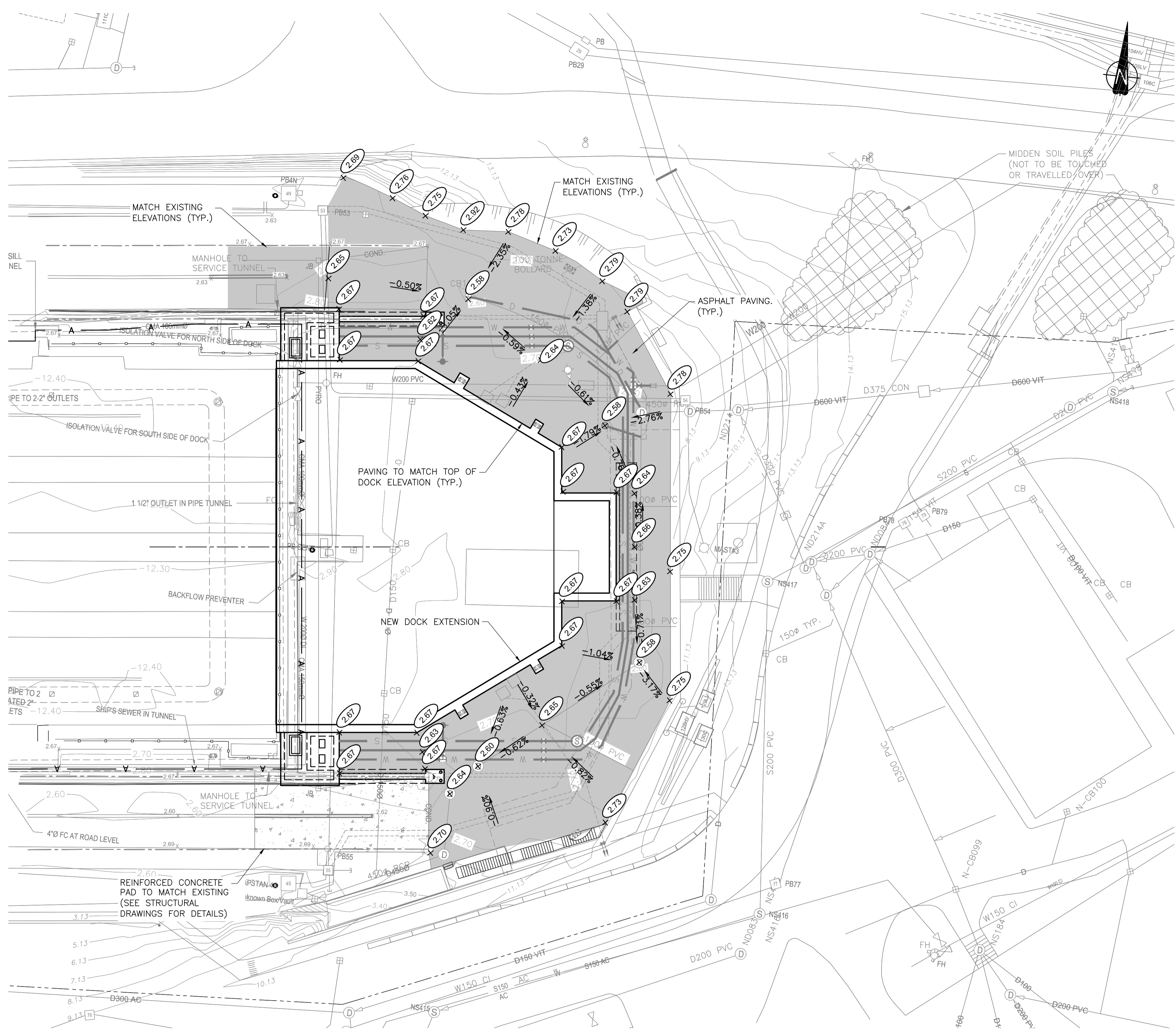
**ESQUIMALT GRAVING DOCK
 EAST END EXTENSION AND
 SECTION 3 DOCK FLOOR AND
 WALL REFURBISHMENT**

Consultant Signature Only
 Designed by/Concept par
PGR
 Drawn by/Dessiné par
IEB
 PWGSC Project Manager/Administrateur de Projets TPSGC

Regional Manager, Architectural and Engineering Services
 Regional Manager, Environmental Services
PREETIPAL PAUL

Drawing title/Titre du dessin
NEW SERVICES

Project No./No. du projet R.096320.001	Sheet/Feuille C003	Revision no./ La Révision no. D
--	------------------------------	--



PLAN
1:250

LEGEND

ASPHALT PAVING
DEMOLISHED PAVING MATERIALS ARE TO BE REPLACED IN-KIND.

ROAD STRUCTURE AS FOLLOWS:

- 75mm ASPHALT
- 200mm OF GRADED STONE BASE
- 300mm OF GRANULAR SUBBASE

PLACED ON SUBGRADE APPROVED BY GEOTECHNICAL ENGINEER.

SEE WSP TECHNICAL MEMO #1, DATED 2020.09.09 FOR FURTHER INFORMATION

Revision/	Description/Description	Date/Date
C	ISSUED FOR TENDER	2021.01.07
B	99% REVIEW	2020.07.10
A	REVIEW	2020.07.03

Client/client
PUBLIC WORKS AND GOVERNMENT SERVICES CANADA

Project title/Titre du projet
**ESQUIMALT GRAVING DOCK
825 ADMIRALS ROAD, VICTORIA, BC**

**ESQUIMALT GRAVING DOCK
EAST END EXTENSION AND
SECTION 3 DOCK FLOOR AND
WALL REFURBISHMENT**

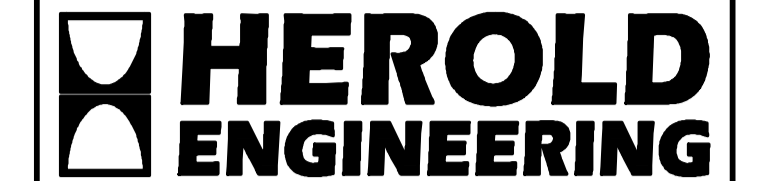
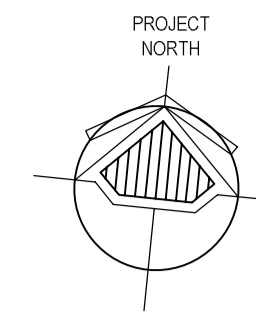
Consultant Signature Only

Designed by/Concept par
PGR
Drawn by/Dessiné par
IEB
PWGSC Project Manager/Administrateur de Projets TPSGC

Regional Manager, Architectural and Engineering Services
Regional Manager, Environmental Services
PREETIPAL PAUL

Drawing title/Titre du dessin
SITE GRADING

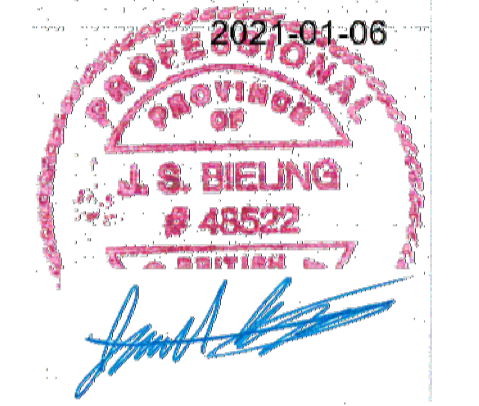
Project No./No. du projet	Sheet/Feuille	Revision no./ La Révision no.
R.096320.001	C004	C



HEL JOB FILE: 3191-017



AES PROJECT #1-19-062



REFER TO E200 FOR SITE CONNECTION DETAILS

- EXISTING DUCT BANK CABLES
- 50C-(CAPSTAN-CENTRE)
- 50C-(CAPSTAN #1S)
- 50C-(CAPSTAN #2S)
- 50C-(CAPSTAN #3S)
- 50C-(CAPSTAN #4S)
- 50C-FIA PULL STATION

REFER TO E200 FOR SITE CONNECTION DETAILS

- EXISTING TUNNEL MOUNTED CABLES:
- 2c#14 TECK FIA CONNECTIONS, EAST END CENTER
- 2c#14 TECK FIA CONNECTIONS, EAST END CENTER
- 2c#14 TECK FIA CONNECTIONS, EAST END CENTER
- 3c#12 TECK TUNNEL LIGHTING
- 100 PAIR CAT#3 DEMARC TO OLD SSS
- 100 PAIR CAT#3 DEMARC TO SSSR
- 125MM FIBER FROM VSL OFFICES TO DOCK END
- 245MM BETWEEN SSS WATER METERS AND PH PATCH PANELS
- 2c#18 TECK GRAY - ABANDONED FIA CABLES
- 2c#18 TECK GRAY - TECK GRAY SCADA RS485 WATER METER LOOP
- 2c#12 TECK FROM PH TO EAST END EMERGENCY STROBE
- 245MM FIBER FROM DEMARC TO OLD SSS
- 125MM FIBER PUMPHOUSE TO OLD SSS P/A & CAMERAS

125MM FIBER FROM VSL OFFICES TO DOCK END

3c#10 & 10c#16 - CAPSTAN-CENTRE TO BE DEMOLISHED DURING DOC EXTENSION AND NOT REBUILT. EXISTING FEEDERS ARE TO BE REMOVED AND MCC CELL TO BE MARKED AS SPARE

EXISTING TUNNEL LIGHT FIXTURES, TECK CABLES, SPLICE BOXES AND PYROTEX FEEDERS TO BE REMOVED AND DEMOLISHED IN DOCK END TUNNEL ONLY

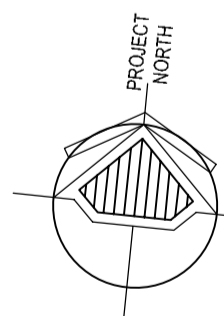
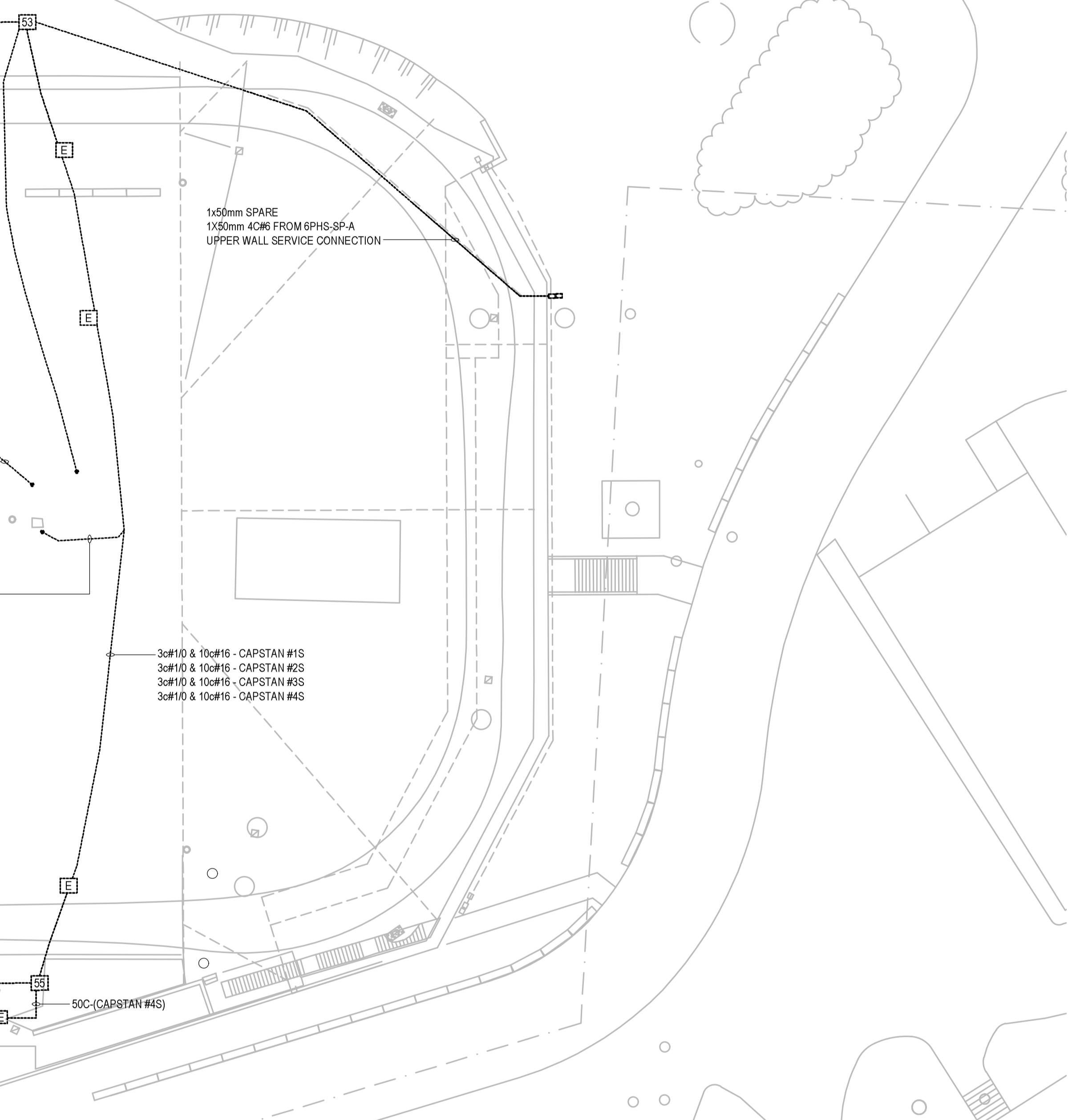
EXISTING TUNNEL MOUNTED BASKET CABLE TRAY TO BE DISMOUNTED AND TURNED OVER TO EGD FOR OTHER USES

REFER TO E200 FOR SITE CONNECTION DETAILS

- 50C-(CAPSTAN #3S)
- 50C-(CAPSTAN #2S)
- 50C-(CAPSTAN #1S)

REFER TO E200 FOR SITE CONNECTION DETAILS

- 50C-(CAPSTAN #3S)
- 50C-(CAPSTAN #2S)
- 50C-(CAPSTAN #1S)



1 EXISTING SITE PLAN
E100

ELECTRICAL SYMBOL LEGEND	
ABBREVIATIONS	
FIA	FIRE ALARM
SSM	STAND SINGLE MODE OPTICAL FIBER
SMM	STRAND MULTI MODE OPTICAL FIBER
WP	DENOTES WEATHER PROOF DEVICE
POWER	
⊕	JUNCTION BOX
⊕	MECHANICAL EQUIPMENT CONNECTION
—	PILASTER
—	EQUIPMENT CONTROL PANEL

GENERAL NOTES

- ALL CABLES SHOWN AS EXISTING ON THIS SHEET ARE TO BE DISCONNECTED AND DEMOLISHED UNLESS OTHERWISE INDICATED. ALL COSTS FOR DISMOUNTING, REMOVAL AND DISPOSAL OF ALL CABLES IS TO BE INCLUDED IN BASE BID.
- ALL REPLACEMENT CABLES ARE TO BE INSTALLED IN NEW END OF DOCK DUCT BANK AND PULLED AND INSTALLED TO THEIR APPROPRIATE LOCATIONS AFTER EAST END EXTENSION DUCT BANK IS INSTALLED. THIS WILL PUT THE EXISTING SOUTH SIDE CAPSTANS OFFLINE UNTIL THE NEW DUCT BANK IS INSTALLED.
- DUE TO THE LENGTH OF THIS OUTAGE, ALL EXISTING COMMUNICATIONS CABLES ARE TO BE RE-ROUTED AROUND THE SOUTH JETTY SERVICE DUCT BANK WHICH IS LOCATED OUTSIDE THE PROJECT FOOTPRINT, WILL NOT BE DISTURBED BY THE DEMOLITION UNDER THIS PROJECT, AND IS ALREADY IN PLACE.
- ALL SERVICE INTERRUPTIONS ARE TO BE COORDINATED THROUGH EGD FOR ALL EGD FACILITY AND TENANT INTERRUPTIONS. CONTRACTOR WILL BE RESPONSIBLE FOR COORDINATING ALL THESE SHUT DOWNS, AND SHALL ASSUME ALL FINAL SWITCHOVER SHALL BE PERFORMED DURING OFF HOURS.
- EXISTING TUNNEL LIGHTING CIRCUITS AND LIGHTS INSIDE EAST END TUNNEL PORTION AFFECTED BY THE EXTENSION ARE TO BE DEMOLISHED. ALL EQUIPMENT IN TUNNEL PORTIONS NOT AFFECT BY THE WORK ARE TO REMAIN.
- EXISTING CIRCUIT FROM PH TO UPPER WALL PANEL TO BE DEMOLISHED. NEW SERVICE TO BE INSTALLED TO THIS PANEL FROM SES, COORDINATE WITH EGD FOR OUTAGE AND SERVICE SWITCHOVER.
- REFER TO SHEET E300 FOR RECONNECTION DETAILS.

Revision/	Description/Description	Date/Date
3	ISSUED FOR TENDER	07/01/21
2	ISSUED FOR 99% REVIEW	10/07/20
1	ISSUED FOR 75% REVIEW	20/05/20

Client/client
PUBLIC WORKS AND GOVERNMENT SERVICES CANADA

Project title/Titre du projet
**ESQUIMALT GRAVING DOCK
825 ADMIRALS ROAD, VICTORIA, BC**

**ESQUIMALT GRAVING DOCK
EAST END EXTENSION
AND SECTION 3 DOCK FLOOR
AND WALL REFURBISHMENT**

Consultant Signature Only

Designed by/Concept par
JACOB BIELING

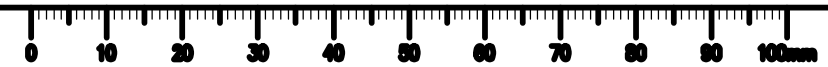
Drawn by/Dessiné par
GINA LECLAIR, RACHEL SHIN

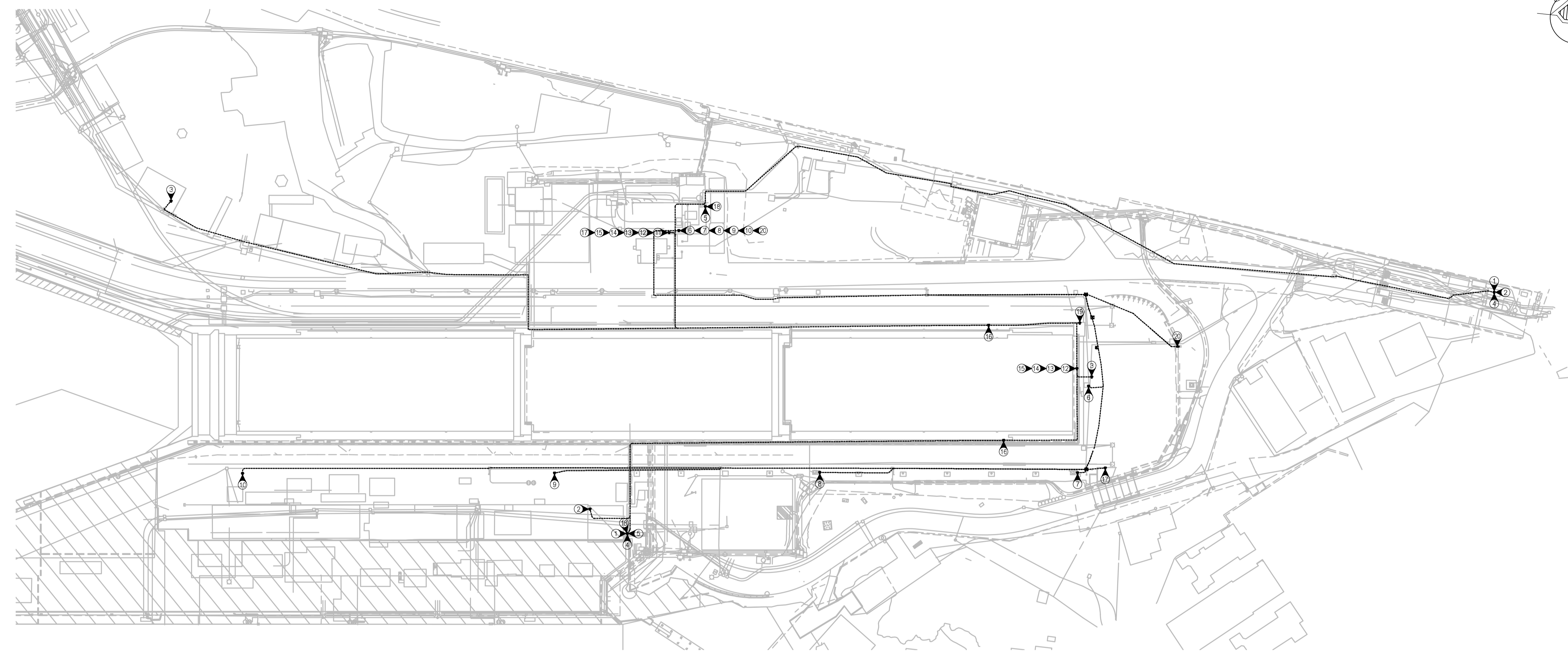
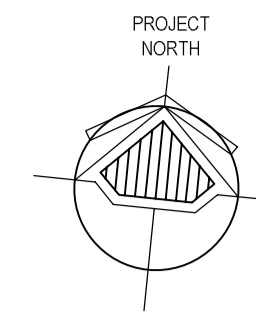
PWGC Project Manager/Administrateur de Projets TPSGC
EUGENE YOUNG

Regional Manager, Architectural and Engineering Services
Regional Manager, Environmental Services
PREETIPAL PAUL

Drawing title/Titre du dessin
**LEGEND, AND EXISTING
SITE PLAN NEAR DOCK END**

Project No./No. du projet	Sheet/Feuille	Revision no./La Révision no.
R.096320.002	E100	3





1 EXISTING SITE CONNECTION PLAN
E200

KEYNOTES - SHOWING END TO END CONNECTION POINTS

1. 100 PAIR CAT#3 DEMARC TO OLD SSS VIA EXISTING DUCT BANK, TO PUMPHOUSE AND THEN INTO EXISTING SERVICE TUNNEL. ALL EXISTING INSTALLED CONDUCTOR IN TUNNELS, BUILDINGS, AND DUCTS BANKS TO BE REMOVED AND DISPOSED OF.
2. 100 PAIR CAT#3 DEMARC TO SSSR VIA EXISTING DUCT BANK, TO PUMPHOUSE AND THEN INTO EXISTING SERVICE TUNNEL. ALL EXISTING INSTALLED CONDUCTOR IN TUNNELS, BUILDINGS, AND DUCTS BANKS TO BE REMOVED AND DISPOSED OF.
3. 12SMM FIBER FROM VSL OFFICES TO DOCK END. PULL BACK ALL SLACK AND SPOOL IN TUNNEL JUST BEFORE NEW DUCT BANK ENTRY POINT. CLEARLY MARK AND RETAIN FOR FUTURE USE BY OTHERS.
4. 24SMM FIBER FROM DEMARC TO OLD SSS VIA EXISTING DUCT BANK, TO PUMPHOUSE AND THEN INTO EXISTING SERVICE TUNNEL. ALL EXISTING INSTALLED CONDUCTOR IN TUNNELS, BUILDINGS, AND DUCTS BANKS TO BE REMOVED AND DISPOSED OF.
5. 12SMM FIBER FROM PUMPHOUSE TO OLD SSS, ALL EXISTING INSTALLED CONDUCTOR IN TUNNELS, AND BUILDINGS TO BE REMOVED AND DISPOSED OF.
6. 3c#1/0 & 10c#16 INSTRUMENTATION CABLE - CAPSTAN-CENTER
7. 3c#1/0 & 10c#16 INSTRUMENTATION CABLE - CAPSTAN #4S
8. 3c#1/0 & 10c#16 INSTRUMENTATION CABLE - CAPSTAN #3S
9. 3c#1/0 & 10c#16 INSTRUMENTATION CABLE - CAPSTAN #2S
10. 3c#1/0 & 10c#16 INSTRUMENTATION CABLE - CAPSTAN #1S
11. PUMPHOUSE FIRE ALARM PANEL (INFORMATION ONLY)
12. 2c#14 TECK F/A CONNECTIONS, EAST END CENTER
13. 2c#14 TECK F/A CONNECTIONS, EAST END CENTER
14. 2c#14 TECK F/A CONNECTIONS, EAST END CENTER
15. 2c#18 TECK GRAY - ABANDONED F/A CABLES
16. 2c#18 TECK GRAY - TECK GRAY SCADA RS485 WATER METER LOOP. EXISTING TUNNEL LOOP IS TO BE BROKEN, AND SPLIT BETWEEN RMSNS AND SSSR FOR REVISED CONNECTION. REFER TO SHEET E400.
17. 2c#14 TECK F/A CONNECTIONS, TO F/A PULL STATION NEAR FUEL STORAGE STATION ALONG SOUTH ROCK WALL.
18. 24SSM FIBER FROM PUMPHOUSE TO OLD SSS WATER METERS, ALL EXISTING INSTALLED CONDUCTOR IN TUNNELS, AND BUILDINGS TO BE REMOVED AND DISPOSED OF.
19. 2c#12 CONNECTION TO EAST END STROBE LIGHT. TO BE RETAINED AND KEPT IN SERVICE.
20. 4C#6 - EXISTING WALL PANEL SERVICE FROM 6PHS-SP-A TO BE DEMOLISHED.

GENERAL NOTES

1. ALL CABLES SHOWN AS EXISTING ON THIS SHEET ARE TO BE DISCONNECTED AND DEMOLISHED UNLESS OTHERWISE INDICATED. ALL COSTS FOR DISMOUNTING, REMOVAL AND DISPOSAL OF ALL CABLES IS TO BE INCLUDED IN BASE BID.
2. ALL REPLACEMENT CABLES ARE TO BE INSTALLED IN NEW END OF DOCK DUCT BANK AND PULLED AND INSTALLED TO THEIR APPROPRIATE LOCATIONS PRIOR TO DISCONNECT AND DEMOLITION OF EXISTING SERVICES.
3. ALL SERVICE INTERRUPTIONS ARE TO BE COORDINATED THROUGH EGD FOR ALL EGD FACILITY AND TENANT INTERRUPTIONS. CONTRACTOR WILL BE RESPONSIBLE FOR COORDINATING ALL THESE SHUT DOWNS, AND SHALL ASSUME ALL FINAL SWITCHOVER SHALL BE PERFORMED DURING OFF HOURS.
4. REFER TO SITE E300 & E400 FOR CONNECTION DETAILS.

Revision/	Description/Description	Date/Date
3	ISSUED FOR TENDER	07/01/21
2	ISSUED FOR 99% REVIEW	10/07/20
1	ISSUED FOR 75% REVIEW	20/05/20

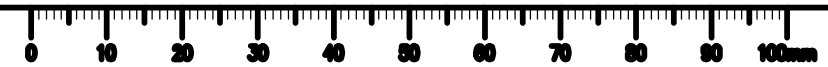
Client/client
PUBLIC WORKS AND GOVERNMENT SERVICES CANADA

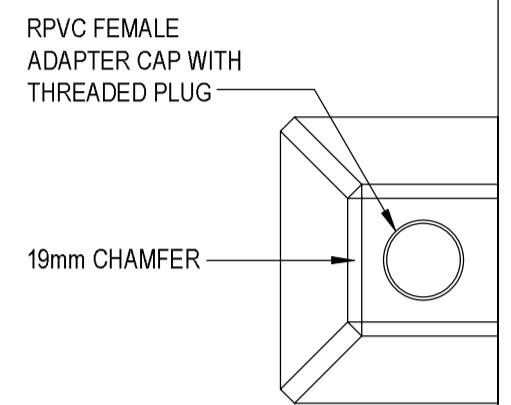
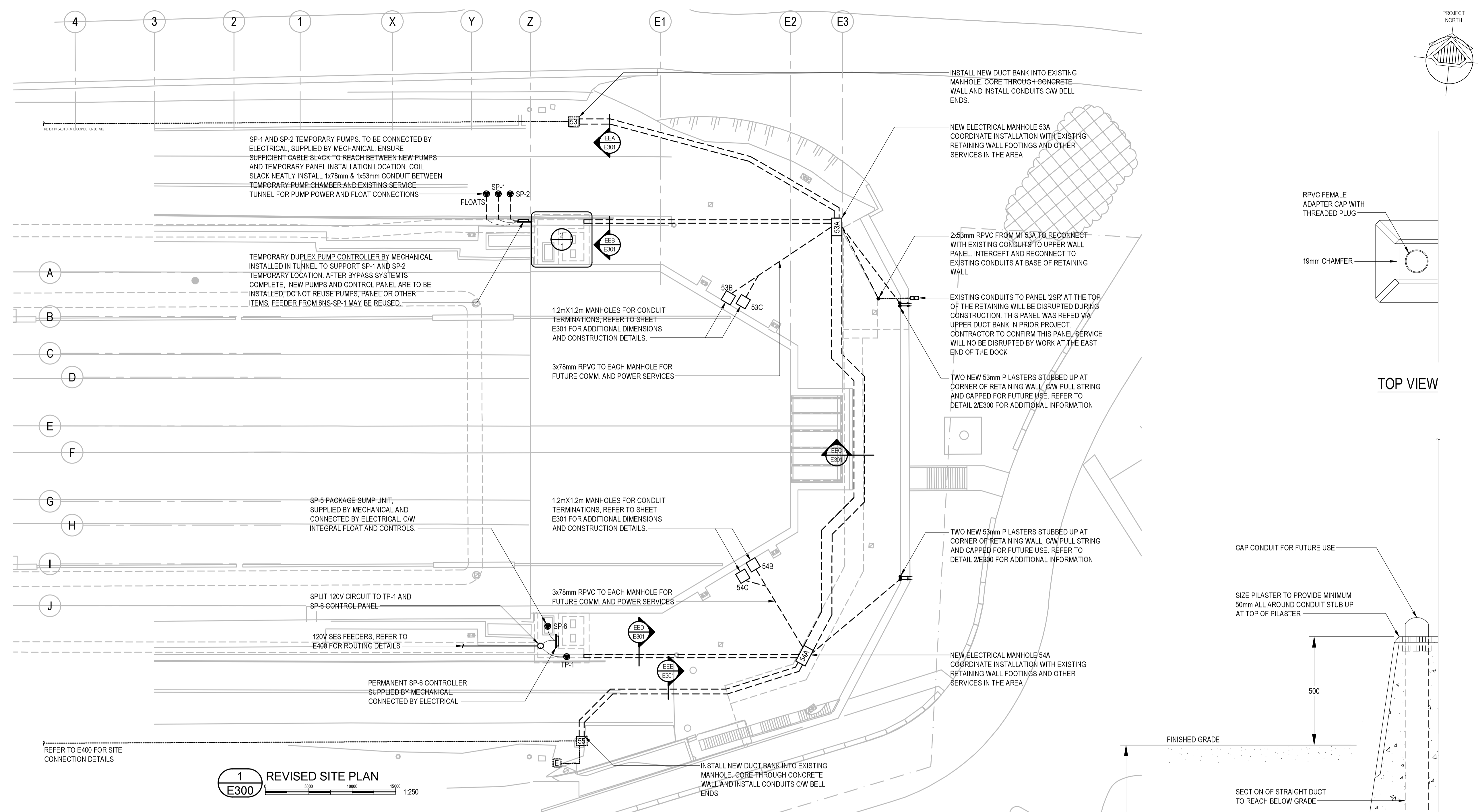
Project title/Titre du projet
**ESQUIMALT GRAVING DOCK
825 ADMIRALS ROAD, VICTORIA, BC
ESQUIMALT GRAVING DOCK
EAST END EXTENSION
AND SECTION 3 DOCK FLOOR
AND WALL REFURBISHMENT**

Consultant Signature Only
-
Designed by/Concept par
JACOB BIELING
Drawn by/Dessiné par
GINA LECLAIR, RACHEL SHIN
PWSC Project Manager/Administrateur de Projets TPSGC
EUGENE YOUNG
Regional Manager, Architectural and Engineering Services
Regional Manager, Environmental Services
PREETIPAL PAUL

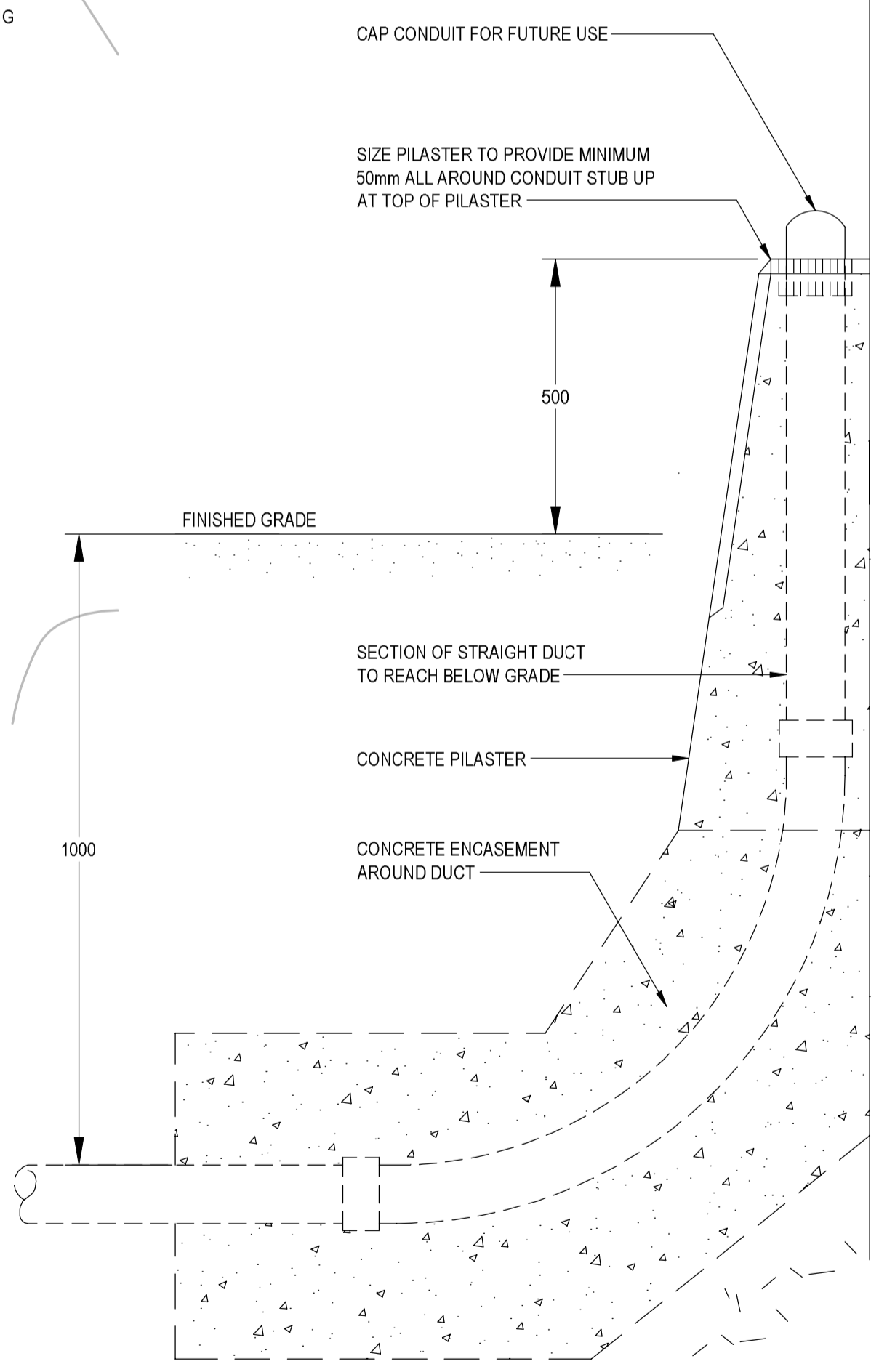
Drawing title/Titre du dessin
**EXISTING SITE PLAN
POWER AND DATA END TO END
CONNECTIONS ROUTING**

Project No./No. du projet	Sheet/Feuille	Revision no./La Révision no.
R.096320.002	E200	3



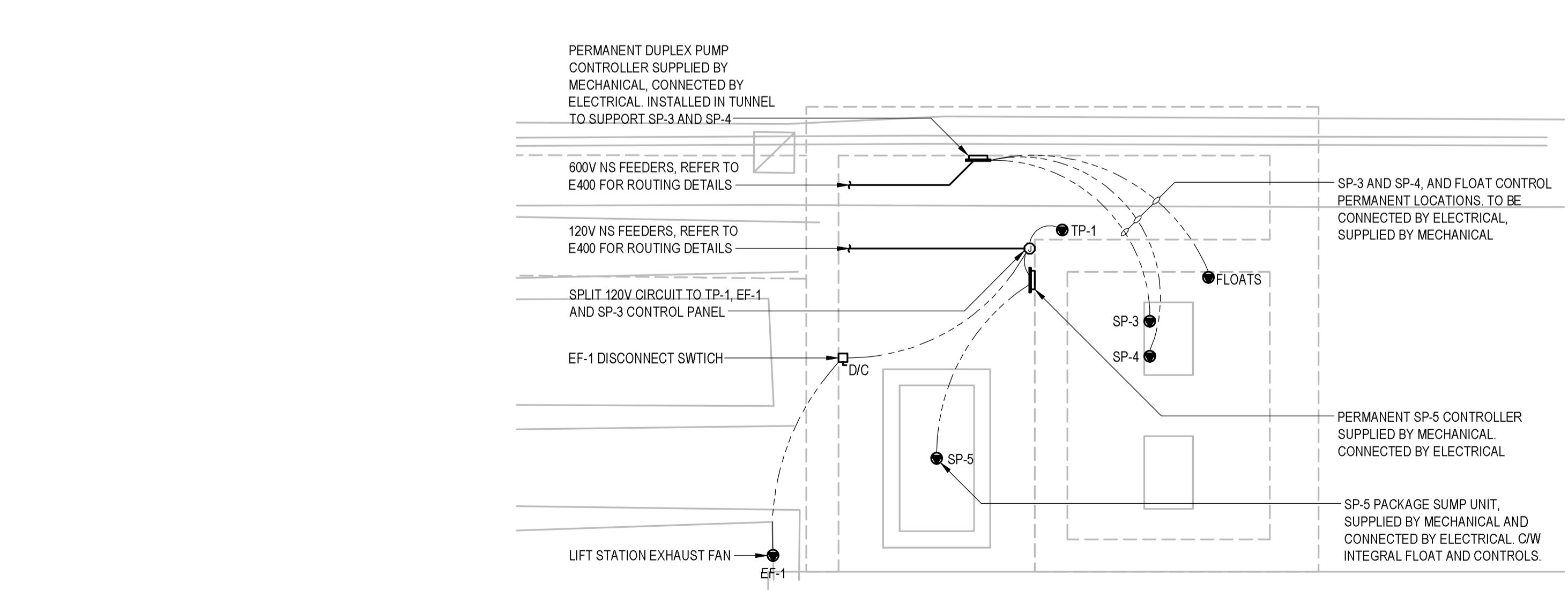


TOP VIEW



SIDE VIEW

3 PILASTER DETAILS
E300 NOT TO SCALE



2 PUMP CONNECTION PLAN
E300

1 REVISED SITE PLAN
E300

Revision/	Description/Description	Date/Date
3	ISSUED FOR TENDER	07/01/21
2	ISSUED FOR 99% REVIEW	10/07/20
1	ISSUED FOR 75% REVIEW	20/05/20

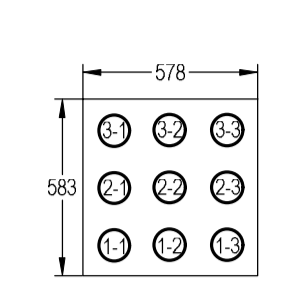
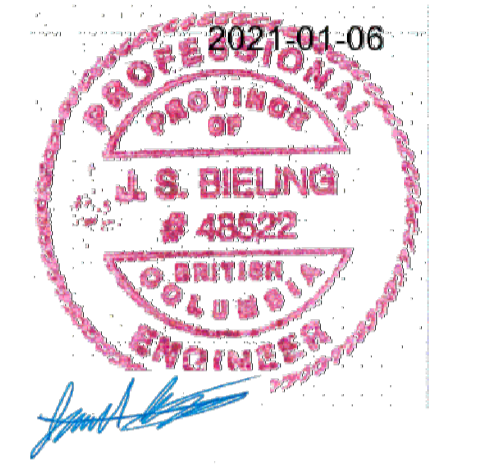
Client/client
PUBLIC WORKS AND GOVERNMENT SERVICES CANADA

Project title/Titre du projet
**ESQUIMALT GRAVING DOCK
825 ADMIRALS ROAD, VICTORIA, BC
ESQUIMALT GRAVING DOCK
EAST END EXTENSION
AND SECTION 3 DOCK FLOOR
AND WALL REFURBISHMENT**

Consultant Signature Only
Designed by/Concept par
JACOB BIELING
Drawn by/Dessiné par
GINA LECLAIR, RACHEL SHIN
PWGSC Project Manager/Administrateur de Projets TPSGC
EUGENE YOUNG
Regional Manager, Architectural and Engineering Services
Regional Manager, Environmental Services
PREETIPAL PAUL

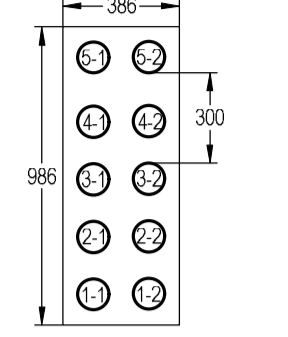
Drawing title/Titre du dessin
**REVISED SITE PLAN EAST END
DUCT BANK RECONNECTIONS**

Project No./No. du projet R.096320.002	Sheet/Feuille E300	Revision no./La Révision no. 3
---	-----------------------	-----------------------------------



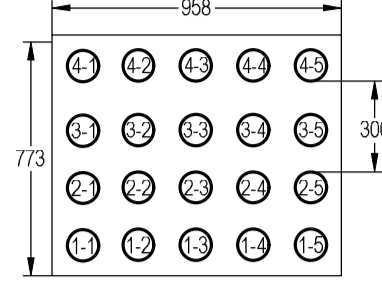
CONDUIT AND CABLE SCHEDULE			
CONDUIT ROUTE	CONDUIT ID	SIZE (mm)	CABLE ID
MH 53 TO MH53A POWER	1-1	103	CAP#1S
	1-2	103	CAP#2S
	1-3	103	CAP#3S
	2-1	103	CAP#4S
	2-2	103	SPARE POWER
	2-3	103	SPARE POWER
	3-1	103	SPARE POWER
	3-2	103	SPARE POWER
	3-3	103	SPARE POWER

EEA DUCT BANK SECTION
E301



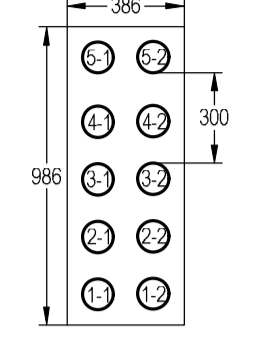
CONDUIT AND CABLE SCHEDULE			
CONDUIT ROUTE	CONDUIT ID	SIZE (mm)	CABLE ID
NORTH TUNNEL TO MH53A	1-1	103	SPARE POWER
	1-2	103	SPARE POWER
	2-1	103	SPARE POWER
	2-2	103	SPARE POWER
	3-1	103	SPARE POWER
	3-2	103	SPARE POWER
NORTH TUNNEL TO MH53A	4-1	103	SPARE COMM (FIBER)
	4-2	103	SPARE COMM (FIBER)
	5-1	103	SPARE COMM (COPPER)
	5-2	103	SPARE COMM (COPPER)

EEB DUCT BANK SECTION
E301



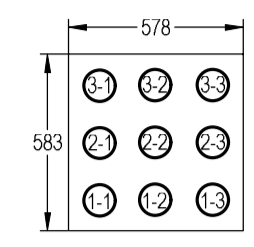
CONDUIT AND CABLE SCHEDULE			
CONDUIT ROUTE	CONDUIT ID	SIZE (mm)	CABLE ID
MH 53 TO MH53A POWER	1-1	103	CAP#1S
	1-2	103	CAP#2S
	1-3	103	CAP#3S
	1-4	103	CAP#4S
	1-5	103	SPARE POWER
	2-1	103	SPARE POWER
	2-2	103	SPARE POWER
	2-3	103	SPARE POWER
	2-4	103	SPARE POWER
	2-5	103	SPARE POWER
	3-1	103	SPARE COMM (FIBER)
	3-2	103	SPARE COMM (FIBER)
	3-3	103	SPARE COMM (FIBER)
	3-4	103	SPARE COMM (FIBER)
	3-5	103	SPARE COMM (FIBER)
4-1	103	SPARE COMM (COPPER)	
4-2	103	SPARE COMM (COPPER)	
4-3	103	SPARE COMM (COPPER)	
4-4	103	SPARE COMM (COPPER)	
4-5	103	SPARE COMM (COPPER)	

EEC DUCT BANK SECTION
E301



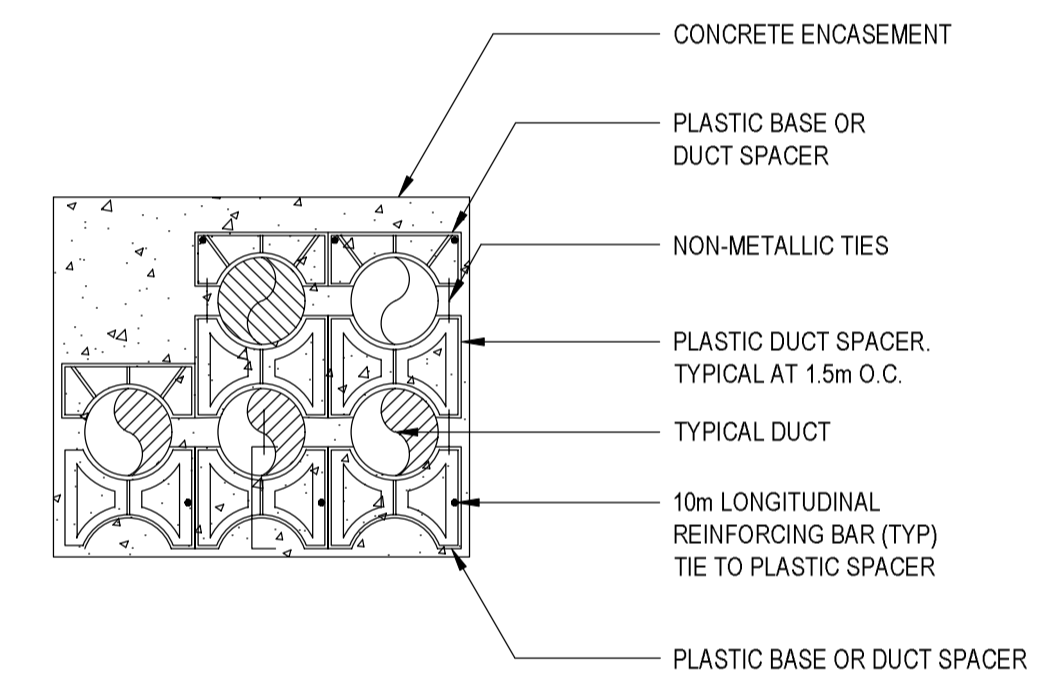
CONDUIT AND CABLE SCHEDULE			
CONDUIT ROUTE	CONDUIT ID	SIZE (mm)	CABLE ID
NORTH TUNNEL TO MH53A	1-1	103	SPARE POWER
	1-2	103	SPARE POWER
	2-1	103	SPARE POWER
	2-2	103	SPARE POWER
	3-1	103	SPARE POWER
	3-2	103	SPARE POWER
NORTH TUNNEL TO MH53A	4-1	103	SPARE COMM (FIBER)
	4-2	103	SPARE COMM (FIBER)
	5-1	103	FA-FUEL
	5-2	103	SPARE COMM (COPPER)

EED DUCT BANK SECTION
E301



CONDUIT AND CABLE SCHEDULE			
CONDUIT ROUTE	CONDUIT ID	SIZE (mm)	CABLE ID
MH 53 TO MH53A POWER	1-1	103	CAP#1S
	1-2	103	CAP#2S
	1-3	103	CAP#3S
	2-1	103	CAP#4S
	2-2	103	SPARE POWER
	2-3	103	SPARE POWER
	3-1	103	SPARE POWER
	3-2	103	SPARE POWER
	3-3	103	SPARE POWER

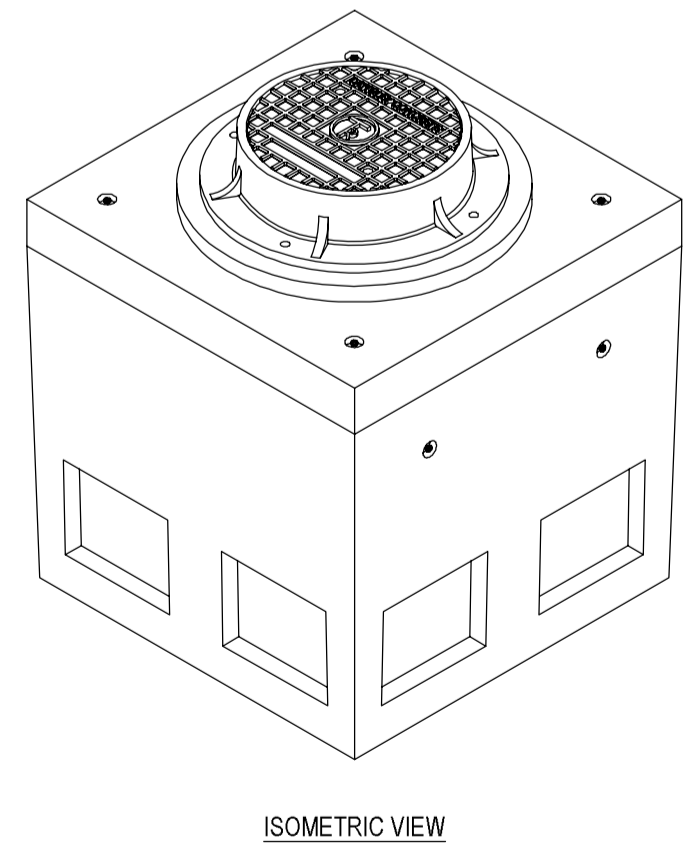
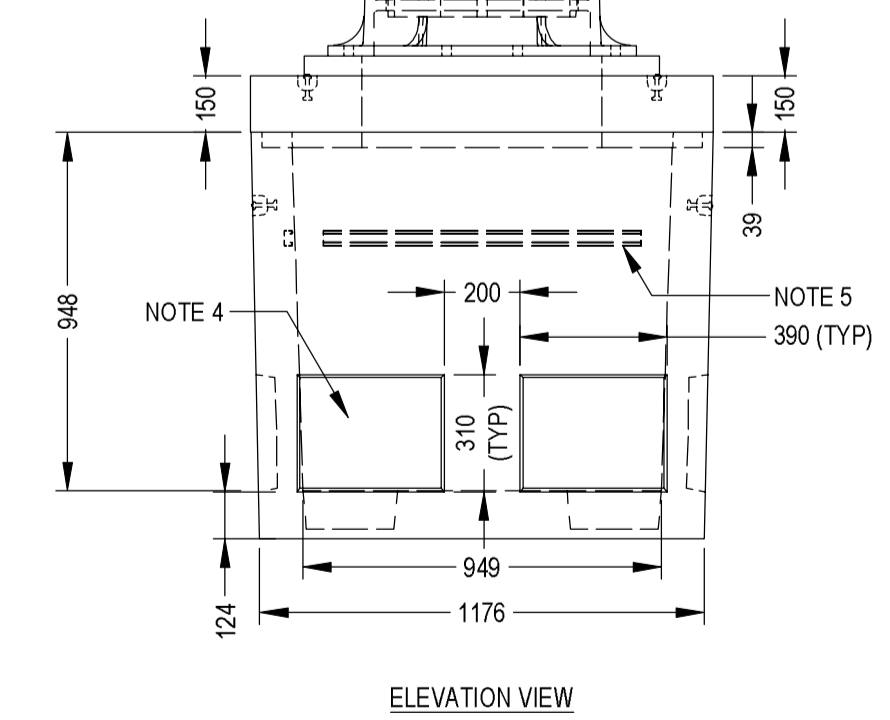
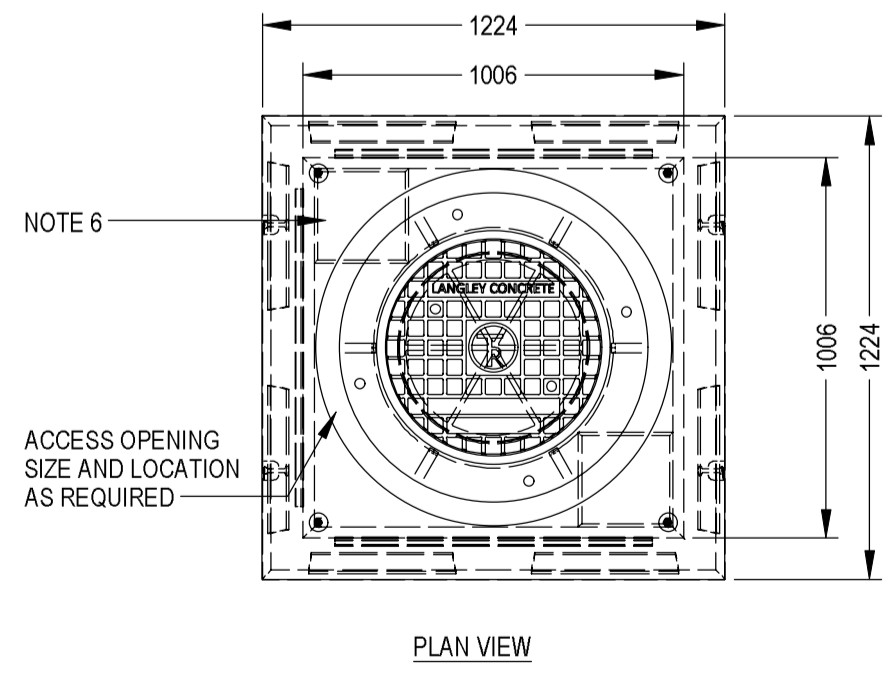
EEE DUCT BANK SECTION
E301



1 DUCT SPACER INSTALLATION
E301

CABLE SCHEDULE EAST END DUCT BANK				
SERVICE	TYPE	VOLTAGE	CONDUCTORS	ID
CAPSTAN #1 SOUTH	LV	600V	3c#10 RW & 10c#16 INSTRUMENTATION CABLE	CAP#1S
CAPSTAN #2 SOUTH	LV	600V	3c#10 RW & 10c#16 INSTRUMENTATION CABLE	CAP#2S
CAPSTAN #3 SOUTH	LV	600V	3c#10 RW & 10c#16 INSTRUMENTATION CABLE	CAP#3S
CAPSTAN #4 SOUTH	LV	600V	3c#10 RW & 10c#16 INSTRUMENTATION CABLE	CAP#4S
FUEL STATION PULL STATION	COMM	N/A	RED 2c#14 TECK	FA-FUEL

- NOTES:
- 1.2 x 1.2 VAULT IS BUILT AS SHOWN.
 - UNIT DESIGNED TO WITHSTAND THE FOLLOWING LOADS:
 - 1 H2O
 - 2 CL625
 - 3 51 KN DISTRIBUTED OVER A SINGLE 25M X 25M WHEEL PATCH
 - 4 70 KN DISTRIBUTED OVER A SINGLE 25M X 6M WHEEL PATCH
 - 5 135 KN DISTRIBUTED OVER A SINGLE 35M X 75M WHEEL PATCH
 - CONCRETE VAULT DESIGNED FOR THE FOLLOWING EARTH COVERS:
 - MINIMUM: 0 M.
 - MAXIMUM: 2.5 M.
 - UNIT SUPPLIED WITH 4 x 0.39 x 0.31m KNOCKOUT CORES AS SHOWN.
 - UNIT SUPPLIED WITH 4 x UNISTRUT P3370 AS SHOWN. 6 UNIT SUPPLIED WITH 2 - 250mm X 250mm SUMP AS SHOWN.
 - LID SUPPLIED WITH OPENING FOR ACCESS AS REQUIRED.
 - UNIT SUPPLIED WITH LIFTING INSERT AS REQUIRED.
 - MINIMUM REBAR YIELD STRENGTH: 414 MPA.
 - MINIMUM CONCRETE STRENGTH: 35 MPA.
 - ALL DIMENSIONS ARE IN MILLIMETERS.



2 PROPOSED DOCKSIDE MANHOLE DETAILS
E301 NOT TO SCALE

Revision/	Description/Description	Date/Date
3	ISSUED FOR TENDER	07/01/21
2	ISSUED FOR 99% REVIEW	10/07/20
1	ISSUED FOR 75% REVIEW	20/05/20

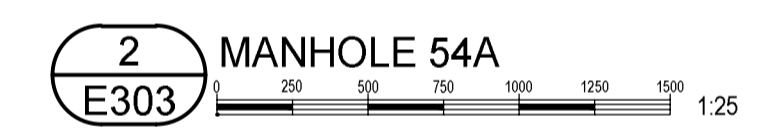
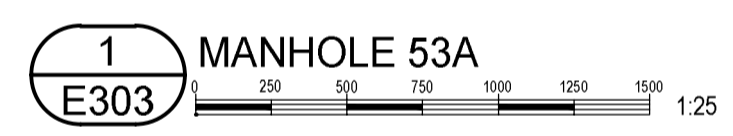
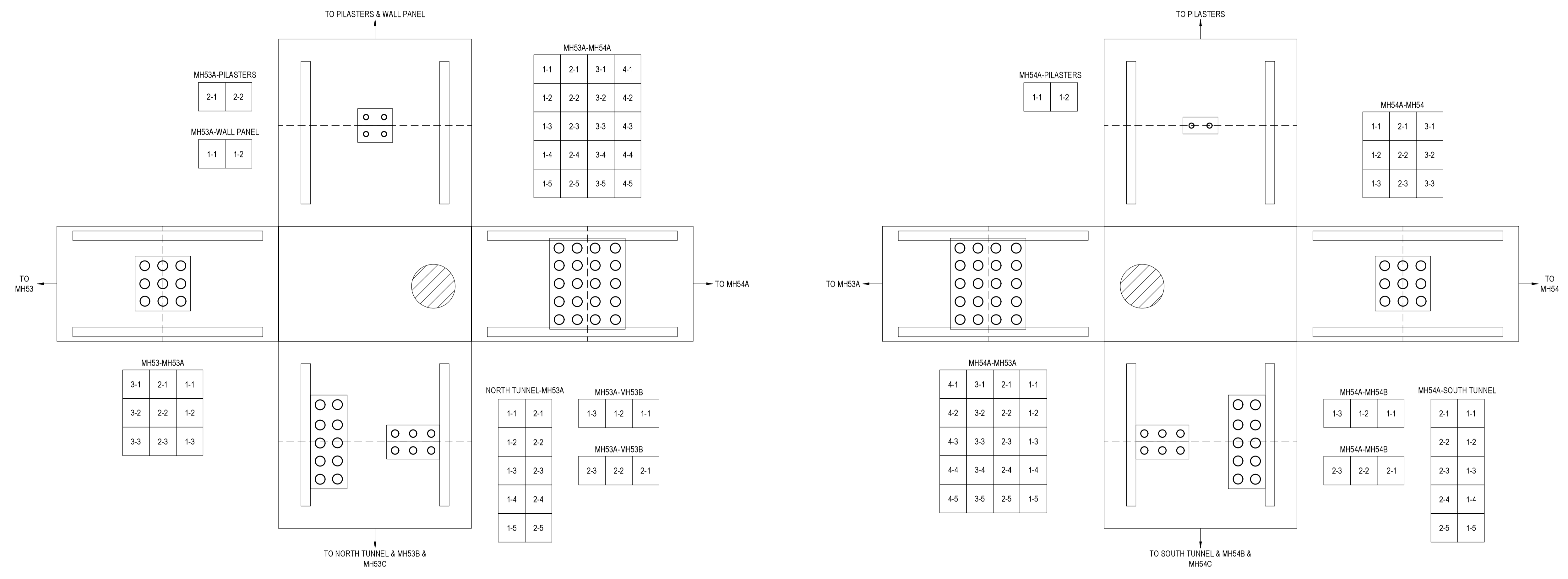
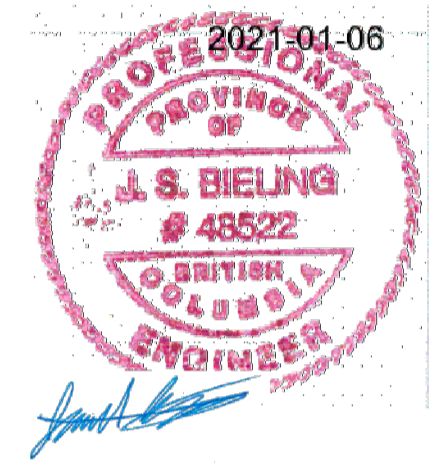
Client/client
PUBLIC WORKS AND GOVERNMENT SERVICES CANADA

Project title/Titre du projet
ESQUIMALT GRAVING DOCK 825 ADMIRALS ROAD, VICTORIA, BC
ESQUIMALT GRAVING DOCK EAST END EXTENSION AND SECTION 3 DOCK FLOOR AND WALL REFURBISHMENT

Consultant Signature Only
-
Designed by/Concept par
JACOB BIELING
Drawn by/Dessiné par
GINA LECLAIR, RACHEL SHIN
PWSC Project Manager/Administrateur de Projets TPSGC
EUGENE YOUNG
Regional Manager, Architectural and Engineering Services
Regional Manager, Environmental Services
PREETIPAL PAUL

Drawing title/Titre du dessin
DUCT BANK SECTIONS DETAILS

Project No./No. du projet	Sheet/Fauille	Revision no./La Révision no.
R.096320.002	E301	3



- GENERAL NOTES:**
- IDENTIFY ALL FEEDER CABLES WITH COLOURED TAGS HAVING 4 SLOTTED TIE HOLES AND SECURED WITH TWO PLASTIC TAG TIES.
 - ALL MANHOLES SHALL BE EQUIPPED WITH CONDUIT DIRECTORIES. EACH WALL OF THE MANHOLE WITH CONDUIT ENTRY SHALL HAVE A DIRECTORY. SEE SPECIFICATION FOR DIRECTORY DETAILS.
 - ALL MANHOLE COVERS SHALL HAVE ASSIGNED MANHOLE NUMBER WELDED ONTO EXTERIOR OF LID.

Revision/	Description/	Date/
Revisión/	Descripción/	Fecha/
3	ISSUED FOR TENDER	07/01/21
2	ISSUED FOR 99% REVIEW	10/07/20
1	ISSUED FOR 75% REVIEW	20/05/20

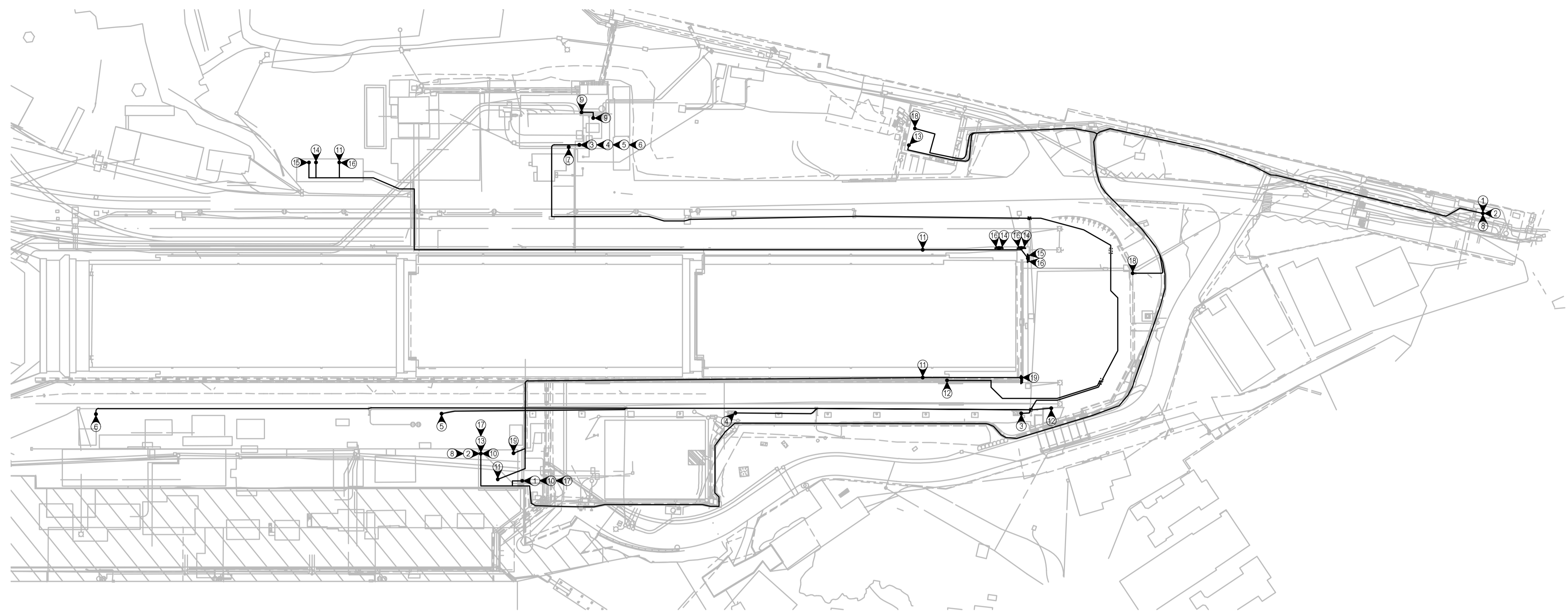
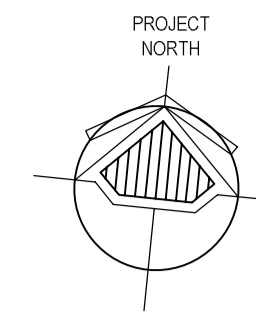
Client/client: **PUBLIC WORKS AND GOVERNMENT SERVICES CANADA**

Project title/Titre du projet:
**ESQUIMALT GRAVING DOCK
 825 ADMIRALS ROAD, VICTORIA, BC
 ESQUIMALT GRAVING DOCK
 EAST END EXTENSION
 AND SECTION 3 DOCK FLOOR
 AND WALL REFURBISHMENT**

Consultant Signature Only:
 -
 Designed by/Concept par:
 JACOB BIELING
 Drawn by/Dessiné par:
 GINA LECLAIR, RACHEL SHIN
 PWGSC Project Manager/Administrateur de Projets TPSGC:
 EUGENE YOUNG
 Regional Manager, Architectural and Engineering Services
 Regional Manager, Environmental Services:
 PREETIPAL PAUL

Drawing title/Titre du dessin:
EXPLODED MANHOLE DETAILS

Project No./No. du projet	Sheet/Feuille	Revision no./La Révision no.
R.096320.002	E303	3



1 REVISED SITE CONNECTION PLAN
E400

KEYNOTES - SHOWING NEW END TO END CONNECTION POINTS

- NEW 100 PAIR CAT#3 DEMARC TO OLD SSS VIA DUCT BANK SYSTEM INSTALLED TO CONNECT SOUTH JETTY. CROSS CONNECTIONS BETWEEN NEW AND EXISTING COPPER BY CONTRACTOR FORCES AND COORDINATED WITH EGD TO ENSURE EXISTING CONNECTIONS ARE CORRECTLY SPLICED TO NEW BIX LOCATIONS.
- NEW 100 PAIR CAT#3 DEMARC TO SSSR VIA DUCT BANK SYSTEM INSTALLED TO CONNECT SOUTH JETTY. CROSS CONNECTIONS BETWEEN NEW AND EXISTING COPPER BY CONTRACTOR FORCES AND COORDINATED WITH EGD TO ENSURE EXISTING CONNECTIONS ARE CORRECTLY SPLICED TO NEW BIX LOCATIONS.
- NEW 3c#1/0 RW90 & 10c#16 INSTRUMENTATION CABLE TO RECONNECT CAPSTAN #4S.
- NEW 3c#1/0 RW90 & 10c#16 INSTRUMENTATION CABLE TO RECONNECT CAPSTAN #3S.
- NEW 3c#1/0 RW90 & 10c#16 INSTRUMENTATION CABLE TO RECONNECT CAPSTAN #2S.
- NEW 3c#1/0 RW90 & 10c#16 INSTRUMENTATION CABLE TO RECONNECT CAPSTAN #1S.
- AFTER DEMOLITION OF REMOVED FIRE ALARM CONNECTIONS AT THE END OF THE DOCK AND IN THE EXISTING TUNNELS PERFORM FIRE ALARM VERIFICATION TEST.
- NEW 24 PAIR 50/125µm MULTIMODE FIBER FOR INTERCONNECT BETWEEN DEMARC AND SSSR FIBER SYSTEMS. PROVIDE FIBER PATCH PANELS AND TEST AND TERMINATE NEW FIBER. CROSS CONNECTIONS BETWEEN NEW AND EXISTING FIBER BY CONTRACTOR FORCES AND COORDINATED WITH EGD TO ENSURE EXISTING FIBER IS CORRECTLY PORTED TO NEW PATCH LOCATIONS. REFER TO E400 FOR CONNECTION DETAILS.
- NEW 12 PAIR 50/125µm MULTIMODE & 12 PAIR 9/125µm SINGLEMODE FIBER FROM PUMPHOUSE VIA EXISTING WALL PENETRATIONS AND CABLE TRAY TO PHS FIRST FLOOR COMMS ROOM. FOR INTERCONNECT BETWEEN PHS AND PH FIBER SYSTEMS. PROVIDE FIBER PATCH PANELS AND TEST AND TERMINATE NEW FIBER. CROSS CONNECTIONS BETWEEN NEW AND EXISTING FIBER BY CONTRACTOR FORCES AND COORDINATED WITH EGD TO ENSURE EXISTING FIBER IS CORRECTLY PORTED TO NEW PATCH LOCATIONS. REFER TO E400 FOR CONNECTION DETAILS.
- NEW 12 PAIR 50/125µm MULTIMODE FIBER FROM SSSR COMM ROOM TO EXISTING SSS PA & CAMERA VIA EXISTING WALL PENETRATIONS AND CABLE TRAY. PROVIDE FIBER PATCH PANELS AND TEST AND TERMINATE NEW FIBER. CROSS CONNECTIONS BETWEEN NEW AND EXISTING FIBER BY CONTRACTOR FORCES AND COORDINATED WITH EGD TO ENSURE EXISTING FIBER IS CORRECTLY PORTED TO NEW PATCH LOCATIONS. THE INTENT OF THIS PATCH IS TO REPLACE THE EXISTING CONNECTION BETWEEN PH AND SSS THAT WILL BE REMOVED DURING DOCK EAST END TUNNEL DEMOLITION. WITH THE CONNECTION BETWEEN SSSR <-> SSS AND PH <-> PHS, THE NEW FIBER SYSTEM WILL NEED TO BE CONFIGURED TO ENSURE THE OLD CONNECTION IS REPLACED. REFER TO E400 FOR CONNECTION DETAILS.
- RS485 WATER METER DATA LOOP. NEW CABLES TO BE INSTALLED IN EXISTING NORTH AND SOUTH TUNNELS TO RECONNECT TO EXISTING METERS IN RMSNS AND SSSR SCADA CABINETS. INCLUDE COSTS TO TEST NEW CABLES AND EXISTING LOOP INTEGRITY.
- NEW RED 2c#14 TECK F/A CONNECTIONS, TO F/A PULL STATION NEAR FUEL STORAGE STATION ALONG SOUTH ROCK WALL, CONNECT OFF OF EXISTING FIRE ALARM CONNECTION POINT IN SECTION#3, EASTERN DOCKSIDE SERVICE ASSEMBLY. INCLUDE COST FOR AN ADDRESSABLE CONNECTION CARD TO BE INSTALLED AND CONNECTED. INCLUDE COSTS TO REPROGRAM FIRE ALARM SYSTEM TO MOVE FUEL STATION ALARM FROM PUMPHOUSE TO SOUTH SIDE SUBSTATION FIRE ALARM SYSTEM. INSTALL TECK VIA EXISTING SERVICE TUNNEL, NEW DUCT BANK TO MH54A AND BACK TO MH54 AND TO EXISTING PULL STATION WHICH WILL REMAIN.
- NEW 12 PAIR 50/125µm MULTIMODE & 12 PAIR 9/125µm SINGLEMODE FIBER FROM SES COMM ROOM TO EXISTING SSSR COMM ROOM VIA EXISTING DUCT BANK SYSTEM INSTALLED TO CONNECT SOUTH JETTY SUBSTATION. PROVIDE FIBER PATCH PANELS AND TEST AND TERMINATE NEW FIBER. CROSS CONNECTIONS BETWEEN NEW AND EXISTING FIBER BY CONTRACTOR FORCES AND COORDINATED WITH EGD TO ENSURE EXISTING FIBER IS CORRECTLY PORTED TO NEW PATCH LOCATIONS.
- 3c#8 600V TECK CABLES FROM NS TO NEW TEMPORARY AND PERMANENT LIFT STATION CONTROL PANELS. INCLUDE SUFFICIENT SLACK IN THIS CABLE TO CONNECT TO BOTH THE TEMPORARY AND FINAL CONTROL PANEL LOCATIONS. NEATLY COIL ALL SLACK DURING TEMPORARY INSULATION BELOW CONTROL PANEL. INCLUDE COSTS FOR A NEW 15A, 3P BREAKER INSTALLED IN 6NS-SP-1 PANEL, 42kA RATED. COORDINATE ALL OUTAGES REQUIRED TO SWITCH BETWEEN TEMPORARY AND NEW PUMP CONNECTIONS WITH OWNER, AND INCLUDE COSTS IS BASE BID.
- 3c#2 240V TECK CABLES FROM NS TO NEW JB IN NEW MECHANICAL CHAMBER, TO SPLIT CIRCUIT TO SP-3 AND TP-1. INCLUDE COSTS FOR A NEW 15A, 3P BREAKER INSTALLED IN 2NS-SP-1 PANEL, 10kA RATED.
- 16c#12 INSTRUMENTATION CABLE TO BE INSTALLED BETWEEN NS SCADA CABINET AND NEW MECHANICAL CHAMBER. INCLUDE COSTS TO CONNECT TEMPORARY AND PERMANENT SP-1, SP-2, SP-3, SP-4 AND SP-3 PUMP CONTROLLER ALARMS FOR FAULT, HIGH, AND LOW LEVEL ALARMS. INCLUDE COSTS TO INSTALL A NEW INPUT CARD IN EXISTING NS SCADA CABINET C/W MODBUS OUTPUT AND SUPPLY CAT5E CABLE TO CONNECT INTO NS SCADA NETWORK. INCLUDE COSTS TO PROGRAM AND UPDATE SCADA INTERFACE FOR ALARMING OF THE CAPTURED FAULTS TO EGD OPERATORS.
- NEW 24 PAIR 9/125µm SINGLEMODE FIBER FROM SSSR COMM ROOM TO EXISTING SSS WATER METERS VIA EXISTING WALL PENETRATIONS AND CABLE TRAY. PROVIDE FIBER PATCH PANELS AND TEST AND TERMINATE NEW FIBER. CROSS CONNECTIONS BETWEEN NEW AND EXISTING FIBER BY CONTRACTOR FORCES AND COORDINATED WITH EGD TO ENSURE EXISTING FIBER IS CORRECTLY PORTED TO NEW PATCH LOCATIONS. THE INTENT OF THIS PATCH IS TO REPLACE THE EXISTING CONNECTION BETWEEN PH AND SSS THAT WILL BE REMOVED DURING DOCK EAST END TUNNEL DEMOLITION. WITH THE CONNECTION BETWEEN SSSR <-> SSS AND PH <-> PHS, THE NEW FIBER SYSTEM WILL NEED TO BE CONFIGURED TO ENSURE THE OLD CONNECTION IS REPLACED.
- NEW 4c#6 BETWEEN 6SES-SP-1 AND THE EXISTING WALL PANEL DISTRIBUTION. INCLUDE COSTS FOR A NEW 50A, 3P BREAKER INSTALLED IN 6SES-SP-1 PANEL, 42kA RATED. COORDINATE ALL OUTAGES REQUIRED TO SWITCH BETWEEN TEMPORARY AND NEW PUMP CONNECTIONS WITH OWNER, AND INCLUDE COSTS IS BASE BID. REVIEW EXISTING BREAKER SIZE ON SIZE AND REVISE AS REQUIRED
- 3c#2 240V TECK CABLES FROM SES TO NEW JB IN SOUTH SIDE MECHANICAL CHAMBER, TO SPLIT CIRCUIT TO SP-6 AND TP-1. INCLUDE COSTS FOR A NEW 15A, 3P BREAKER INSTALLED IN 2NS-SP-1 PANEL, 10kA RATED.

MECHANICAL EQUIPMENT SCHEDULE

C#	DESCRIPTION	EQUIPMENT LOCATION	LOAD			VOLTS	PHASE	UNIT		STARTER		DISC.		CONTROL		SUPPLY PANEL				WIRE & CONDUIT			NOTE				
			MCA	KW	HP			SUPPLY	MOUNT	SUPPLY	MOUNT	SUPPLY	MOUNT	SUPPLY	MOUNT	TYPE	FIBER ALARM PANEL #	PANEL LOCATION	AMPS	P	CCT NO'S	WIRE SIZE		CONDUIT SIZE (mm)	TOTAL AMPS		
SP-1	SUMP PUMP	TEMP SUMP PIT	-	-	5	600	3	M	M	M	M	M	M	M	M	M	CP	-	-	NORTH SUBSTATION	15	3	-	-	-	-	23.7
SP-2	SUMP PUMP	TEMP SUMP PIT	-	-	5	600	3	M	M	M	M	M	M	M	M	M	CP	-	-	NORTH SUBSTATION	15	3	-	-	-	-	23.7
SP-3	SUMP PUMP	NE TUNNEL SUMP	-	-	5	600	3	M	M	M	M	M	M	M	M	M	CP	-	-	NORTH SUBSTATION	15	3	-	-	-	-	34.7
SP-4	SUMP PUMP	NE TUNNEL SUMP	-	-	5	600	3	M	M	M	M	M	M	M	M	M	CP	-	-	NORTH SUBSTATION	15	3	-	-	-	-	34.7
SP-5	SUMP PUMP	NE TUNNEL SUMP	-	-	0.4	120	1	M	M	M	M	M	M	M	M	M	CP	-	-	NORTH SUBSTATION	15	1	-	-	-	-	5.6.7
SP-6	SUMP PUMP	SE TUNNEL SUMP	-	-	0.4	120	1	M	M	M	M	M	M	M	M	M	CP	-	-	SOUTH SUBSTATION	15	1	-	-	-	-	5.7
TP-1	TRAP PRIMER BOX	NE TUNNEL VAULT	-	-	FRAC	120	1	M	M	M	M	M	M	M	M	M	INT	-	-	NORTH SUBSTATION	15	1	-	-	-	-	6.7
EF-1	TRAP PRIMER BOX	NE TUNNEL VAULT	-	-	FRAC	120	1	M	M	M	M	M	M	M	M	M	INT	-	-	NORTH SUBSTATION	15	1	-	-	-	-	6.7

LEGEND
M = DENOTES BY MECHANICAL CONTRACTOR
E = DENOTES BY ELECTRICAL CONTRACTOR
C.P = CONTROL PANEL
INT = INTEGRAL WITH UNIT

NOTES
1. ALL VARIABLE SPEED DRIVES TO HAVE A DEDICATED COPPER GROUND CONDUCTOR SIZED TO MATCH PHASE CONDUCTOR.
2. SP-1 AND SP-2 PUMP CONTROL PANEL SUPPLIED BY SINGLE CIRCUIT FROM 6NS-SP-1.
3. SP-3, SP-4 PUMP CONTROL PANEL SUPPLIED BY SINGLE CIRCUIT FROM 6NS-SP-1. REUSE THE FEEDER FROM THE SP-1 & SP-2 SERVICE
4. WIRE FROM EXTERNAL CONTROL PANEL TO PUMPS IN SUMP.
5. INTEGRAL FLOAT SWITCH IN SUMP.
6. TP-1, SP-5 AND EF-1 SUPPLIED BY SINGLE CIRCUIT FROM 2NS-SP-1
7. ALL DISCONNECT SWITCHES, JUNCTION BOXES, CONTROL PANELS AND OTHER ELECTRICAL DEVICES INSTALLED IN TUNNEL TO BE NEMA4X

GENERAL NOTES

- ALL SOUTH SIDE CAPSTANS TO BE RECONNECTED TO EXISTING MCC IN THE PUMPHOUSE USING NEW FEEDERS INSTALLED IN EXISTING AND NEW EAST END DUCT BANKS.
- FOR PATCH PANEL DETAILS, REFER TO E401.

Revision/	Description/Description	Date/Date
3	ISSUED FOR TENDER	07/01/21
2	ISSUED FOR 99% REVIEW	10/07/20
1	ISSUED FOR 75% REVIEW	20/05/20

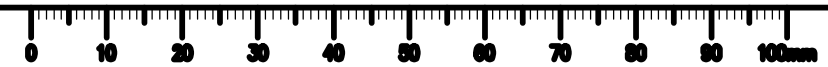
PUBLIC WORKS AND GOVERNMENT SERVICES CANADA

Project title/Titre du projet
ESQUIMALT GRAVING DOCK
825 ADMIRALS ROAD, VICTORIA, BC
ESQUIMALT GRAVING DOCK EAST END EXTENSION AND SECTION 3 DOCK FLOOR AND WALL REFURBISHMENT

Consultant Signature Only
Designed by/Concept par
JACOB BIELING
Drawn by/Dessiné par
GINA LECLAIR, RACHEL SHIN
PWSC Project Manager/Administrateur de Projets TPSGC
EUGENE YOUNG
Regional Manager, Architectural and Engineering Services
Regional Manager, Environmental Services
PREETIPAL PAUL

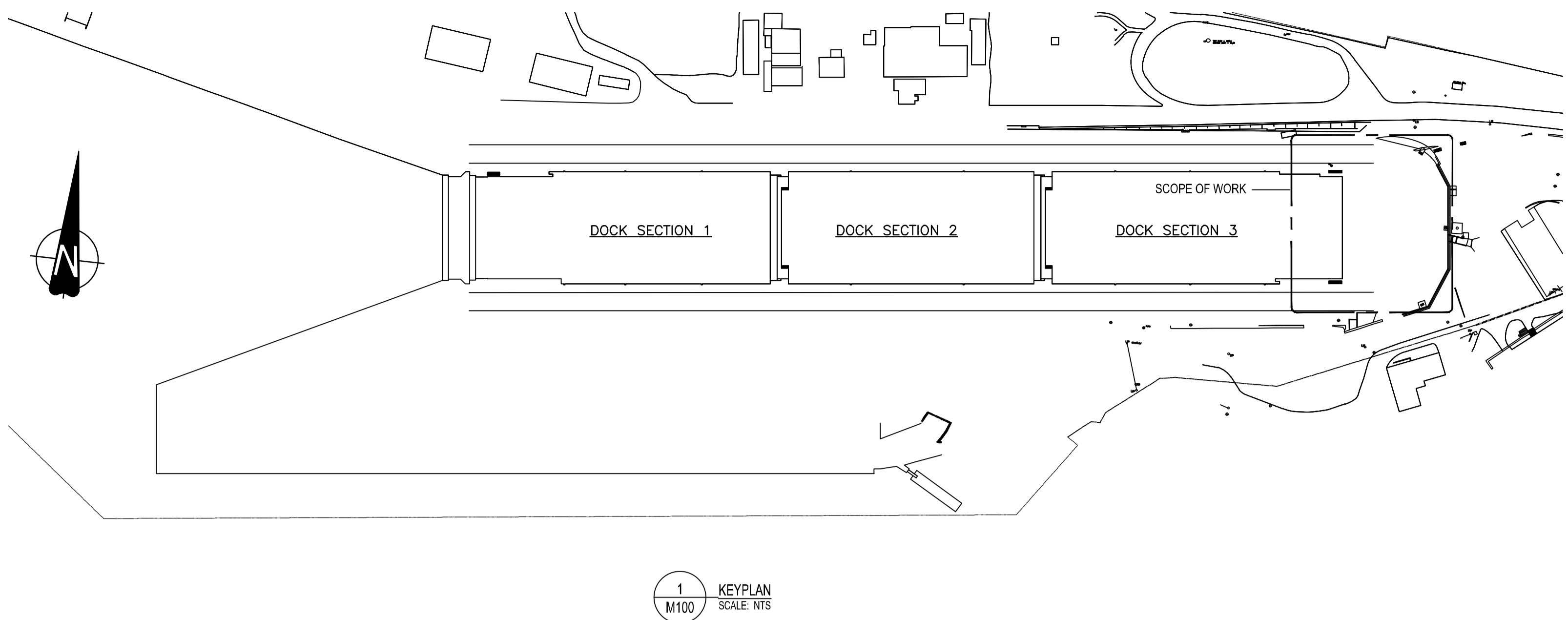
Drawing title/Titre du dessin
REVISED SITE PLAN
POWER AND DATA END TO END CONNECTIONS ROUTING

Project No./No. du projet	Sheet/Fauille	Revision no./La Révision no.
R.096320.002	E400	3



SYMBOL SCHEDULE			
	BALL VALVE		GLOBE VALVE
	EQUIPMENT TAG		2-WAY CONTROL VALVE ELECTRONIC
	COMBINED DOMESTIC COLD WATER & FIRE WATER		3-WAY CONTROL VALVE ELECTRONIC
	PUMPED SANITARY MAIN (PRESSURE PIPE)		BACKFLOW PREVENTOR
	STORM		PUMP
	VENT		PRESSURE GAUGE C/W GAUGE COCK
	COMPRESSED AIR		FLOOR DRAIN
	DIRECTION OF FLOW		FUNNEL FLOOR DRAIN
	PIPE BREAK AND CAP-OFF		AREA DRAIN
	PIPING DROP / RISE		FUNNEL DRAIN
	CONNECT INTO EXISTING		SANITARY PIPE CLEAN-OUT AT END OF PIPE
	STRAINER		P-TRAP
	CIRCUIT BALANCING VALVE		HOSE BIB
	UNION		VENT THROUGH ROOF / VENT TO ABOVE
	CHECK VALVE		HEAT TRACING
	PRESSURE RELIEF VALVE		FLEXIBLE CONNECTION
	PRESSURE REDUCING VALVE		DRAWING DETAIL CALLOUT
	ISOLATION VALVE		GENERAL NOTE
	NORMALLY CLOSED VALVE		

ABBREVIATION LIST	
CIE	CONNECT INTO EXISTING
C/W	COMPLETE WITH



PUMP SCHEDULE												
UNIT NUMBER	MANUFACTURER	TYPE	MODEL	SERVICE	FLOW L/s (GPM)	HD FT (kPa)	MOTOR (POWER)	SPEED (RPM)	ELECTRICAL (V/Ph/Hz)	UNIT WEIGHT (kg)	CONTROLS	NOTES
SP-1	PENTAIR/MYERS	150mm SOLIDS HANDLING	6VCX - 8.375" IMPELLER	SEWAGE	36.8 (583)	13 (38)	5 HP	1150	575/3/60	-	PANEL	1,2,3,4
SP-2	PENTAIR/MYERS	150mm SOLIDS HANDLING	6VCX - 8.375" IMPELLER	SEWAGE	36.8 (583)	13 (38)	5 HP	1150	575/3/60	-	PANEL	1,2,3,4
SP-3	PENTAIR/MYERS	150mm SOLIDS HANDLING	6VCX - 8.375" IMPELLER	SEWAGE	36.8 (583)	13 (38)	5 HP	1150	575/3/60	-	PANEL	1,2,3,4
SP-4	PENTAIR/MYERS	150mm SOLIDS HANDLING	6VCX - 8.375" IMPELLER	SEWAGE	36.8 (583)	13 (38)	5 HP	1150	575/3/60	-	PANEL	1,2,3,4
SP-5	LIBERTY PUMPS	SUMP AND PUMP	XFL50	SEWAGE	3.2 (50)	24 (71)	0.5 HP	-	120/1/60	-	PANEL	4,5,6
SP-6	LIBERTY PUMPS	SUMP AND PUMP	XFL50	SEWAGE	3.2 (50)	24 (71)	0.5 HP	-	120/1/60	-	PANEL	4,5,6

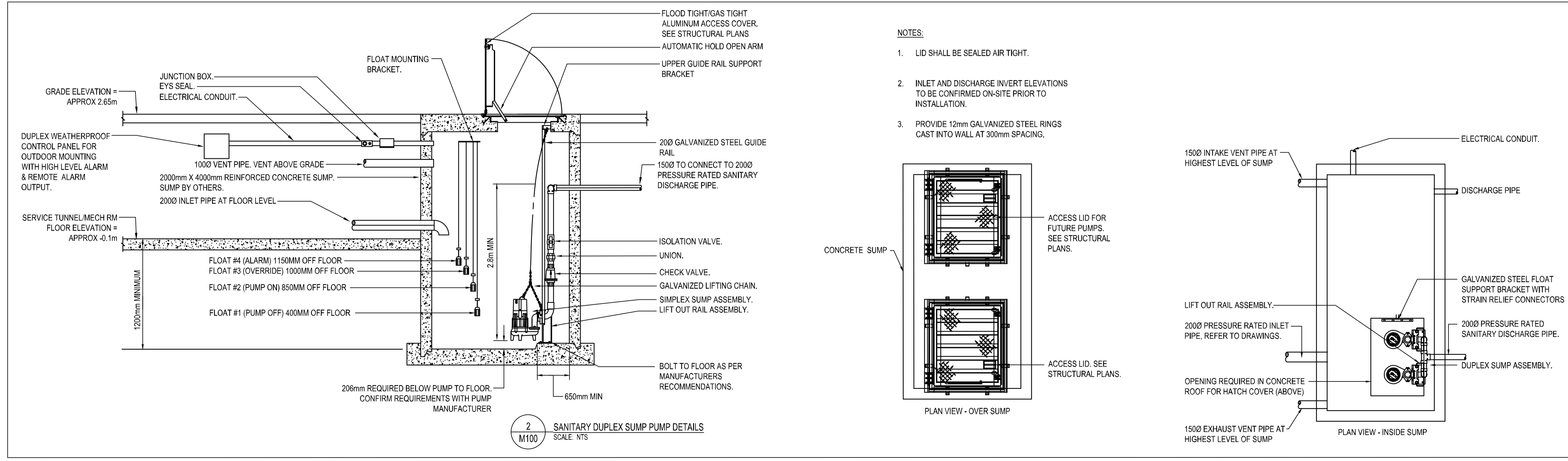
NOTES:
 1. SUMP AND PUMP TO BE C/W INTRINSICALLY SAFE NEMA 4X WEATHER PROOF DUPLEX CONTROL PANEL, FLOAT SWITCHES, AND ENOUGH WIRING TO GO FROM PUMPS TO CONTROL PANEL. CONFIRM LENGTH REQUIRED PRIOR TO ORDERING. PANEL TO HAVE CONTACTS FOR SCADA ALARM CONNECTION, AND ALSO AN AUDIBLE AND VISUAL ALARM. ALARM TO TRIGGER ON INDICATION OF HIGH LEVEL OR PUMP FAILURE.
 2. PROVIDE A SECOND CONTROL PANEL AND WIRING TO ALLOW PANEL ROUGH IN FOR PERMANENT PUMP LOCATIONS WHILE TEMPORARY PUMPS ARE STILL OPERATIONAL.
 3. PUMP C/W FLOATS AND LIFT OUT RAIL AS PER DETAIL 2/M100.
 4. EXPLOSION PROOF PUMPS
 5. SIMPLEX SEWAGE SUMP AND PUMP SYSTEM, 600 X 1200 SUMP, FIBERGLASS SLIP PROOF COVER, 500 VENT CONNECTION, 500 DISCHARGE CONNECTION, 1200MM DEEP, POLYETHYLENE BASIN. PROVIDE STAINLESS STEEL GUIDE RAIL ASSEMBLY & LIFTING CHAIN, SIDE INLET/OUTLET & VENT TO SUMP. C/W MISCELLANEOUS HARDWARE AND PLUMBING, INCLUDING PVC BALL VALVE, PVC CHECK VALVE, FLOAT BRACKET, PVC SCH 80 DISCHARGE PIPE
 6. SUMP AND PUMP TO BE C/W INTRINSICALLY SAFE NEMA 4X WEATHER PROOF SIMLEX CONTROL PANEL, FLOAT SWITCHES, AND ENOUGH WIRING TO GO FROM PUMPS TO CONTROL PANEL. CONFIRM LENGTH REQUIRED PRIOR TO ORDERING. PANEL TO HAVE CONTACTS FOR SCADA ALARM CONNECTION, AND ALSO AN AUDIBLE AND VISUAL ALARM. ALARM TO TRIGGER ON INDICATION OF HIGH LEVEL OR PUMP FAILURE.

PLUMBING FIXTURES												
FD-1: FLOOR DRAIN TO BE WATTS FD-100-D, 750 ROUND FLOOR DRAIN, HEAVY DUTY NICKEL BRONZE STRAINER, PRIMARY & SECONDARY WEEPHOLES, TRAP PRIMER TAPPING. TP-1: TRAP PRIMER BOX: EQUAL TO PRECISION PLUMBING PRODUCTS, MPB-500-115V, MINI-PRIME ELECTRONIC TRAP PRIMING MANIFOLD, WITH INTEGRAL AIR GAP, 150 WATER CONNECTION, 120V/1/60, C/W TIMER TO ALLOW TRAP TO BE PRIMED FOR 12 SECONDS EVERY 24HRS. C/W WALL MOUNTED BOX.												

FAN SCHEDULE												
TAG	MANUFACTURER	TYPE	MODEL	SERVICE	FLOW L/s (CFM)	ESP (Pa)	MOTOR (POWER)	SPEED (RPM)	ELECTRICAL (V/Ph/Hz)	UNIT WEIGHT (kg)	CONTROLS	NOTES
EF-1	GREENHECK	WALL MTD SPUN ALUMINUM	CUE-121-B	SUMP	33 (70)	135	1/6	1140	120/1/60	-	CONTINUOUS	1

NOTES:
 1. FAN TO BE SPARK PROOF, C/W CLASS 1, DIVISION 1 EXPLOSION PROOF MOTOR

CARBON FILTER SCHEDULE												
FILTER-1: CARBON FILTER TO BE CYLINDRICAL CARBON FILTERS, WITH 8 CYLINDERS INSIDE A 300x600 HOUSING. PRESSURE DROP TO BE 8 Pa AT 47 L/s. CARBON MEDIA TO BE SUITABLE FOR THE REMOVAL OF SEWAGE GAS. PROVIDE A MERV 8 PREFILTER. ALTERNATE EQUALS: AMERICAN AIR, FILTRATION GROUP, CIRCLE AIR.												



PROFESSIONAL
 I. D. JONES
 # 36636
 2020-12-24

Revision/	Description/Description	Date/Date
1	ISSUED FOR TENDER	2021.07.07

PUBLIC WORKS AND GOVERNMENT SERVICES CANADA

Project title/Titre du projet
ESQUIMALT GRAVING DOCK
 825 ADMIRALS ROAD, VICTORIA, BC

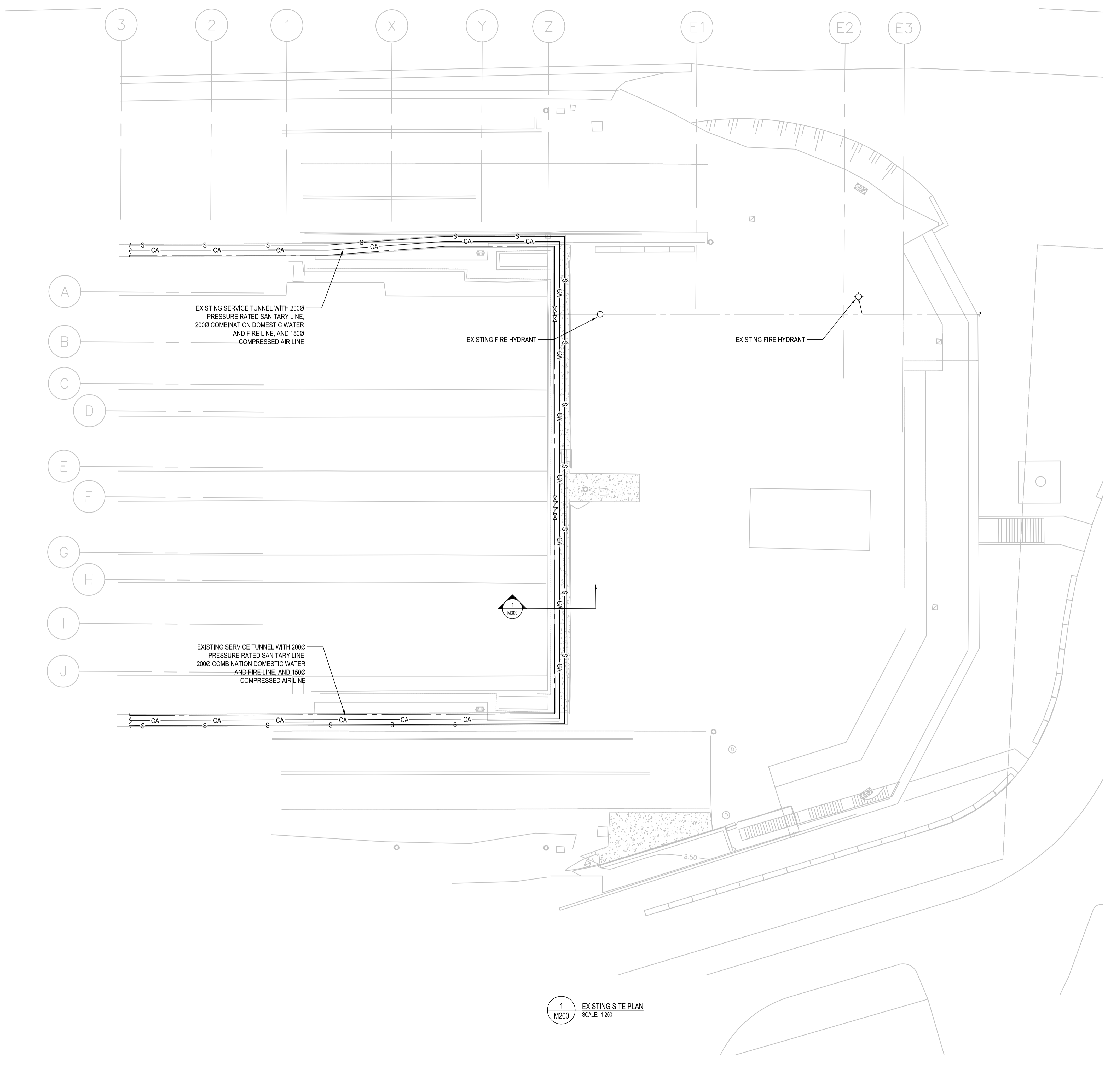
Esquimalt Graving Dock East End Extension & Section 3 Dock Floor & Wall Refurbishment

Consultant Signature Only
 Designed by/Concept par GR/KH
 Drawn by/Dessiné par GR
 PWGSC Project Manager/Administrateur de Projets TPSCG Eugene Yeung
 Regional Manager, Architectural and Engineering Services
 Regional Manager, Environmental Services
 Preestipal Paul

Drawing title/Titre du dessin
COVERSHEET - SANITARY, WATER AND COMPRESSED AIR RENOVATIONS

Project No./No. du projet R.096320.002	Sheet/Feuille M100	Revision no./La révision X
--	------------------------------	--------------------------------------





1	ISSUED FOR TENDER	2021.07.07
---	-------------------	------------

Revision/	Description/Description	Date/Date
-----------	-------------------------	-----------

Client/client
PUBLIC WORKS AND GOVERNMENT SERVICES CANADA

Project title/Titre du projet
**ESQUIMALT GRAVING DOCK
825 ADMIRALS ROAD, VICTORIA, BC**

Esquimalt Graving Dock East End Extension & Section 3 Dock Floor & Wall Refurbishment

Consultant Signature Only

Designed by/Concept par
GR/KH

Drawn by/Dessiné par
GR

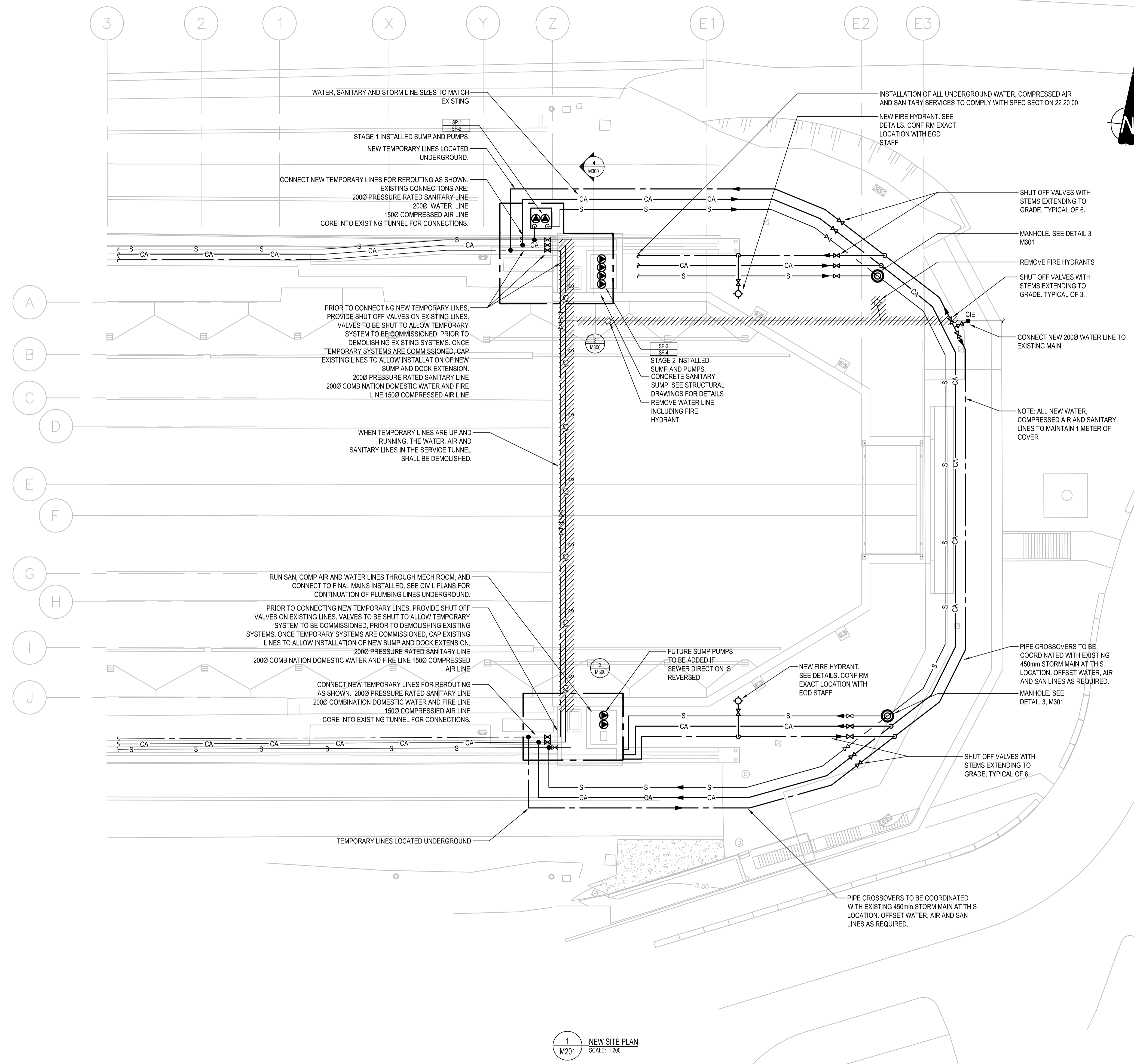
PWGCSC Project Manager/Administrateur de Projets TPSGC
Eugene Yeung

Regional Manager, Architectural and Engineering Services
Regional Manager, Environmental Services
Preestipal Paul

Drawing title/Titre du dessin
**EXISTING SITE PLAN -
SANITARY, WATER AND
COMPRESSED AIR**

Project No./No. du projet R.096320.002	Sheet/Feuille M200	Revision no./La révision X
---	-----------------------	-------------------------------





Revision/	Description/Description	Date/Date
1	ISSUED FOR TENDER	2021.07.07

Client/client
PUBLIC WORKS AND GOVERNMENT SERVICES CANADA

Project title/Titre du projet
**ESQUIMALT GRAVING DOCK
825 ADMIRALS ROAD, VICTORIA, BC**

Esquimalt Graving Dock East Extension & Section 3 Dock Floor & Wall Refurbishment

Consultant Signature Only

Designed by/Concept par
GR/KH

Drawn by/Dessiné par
GR

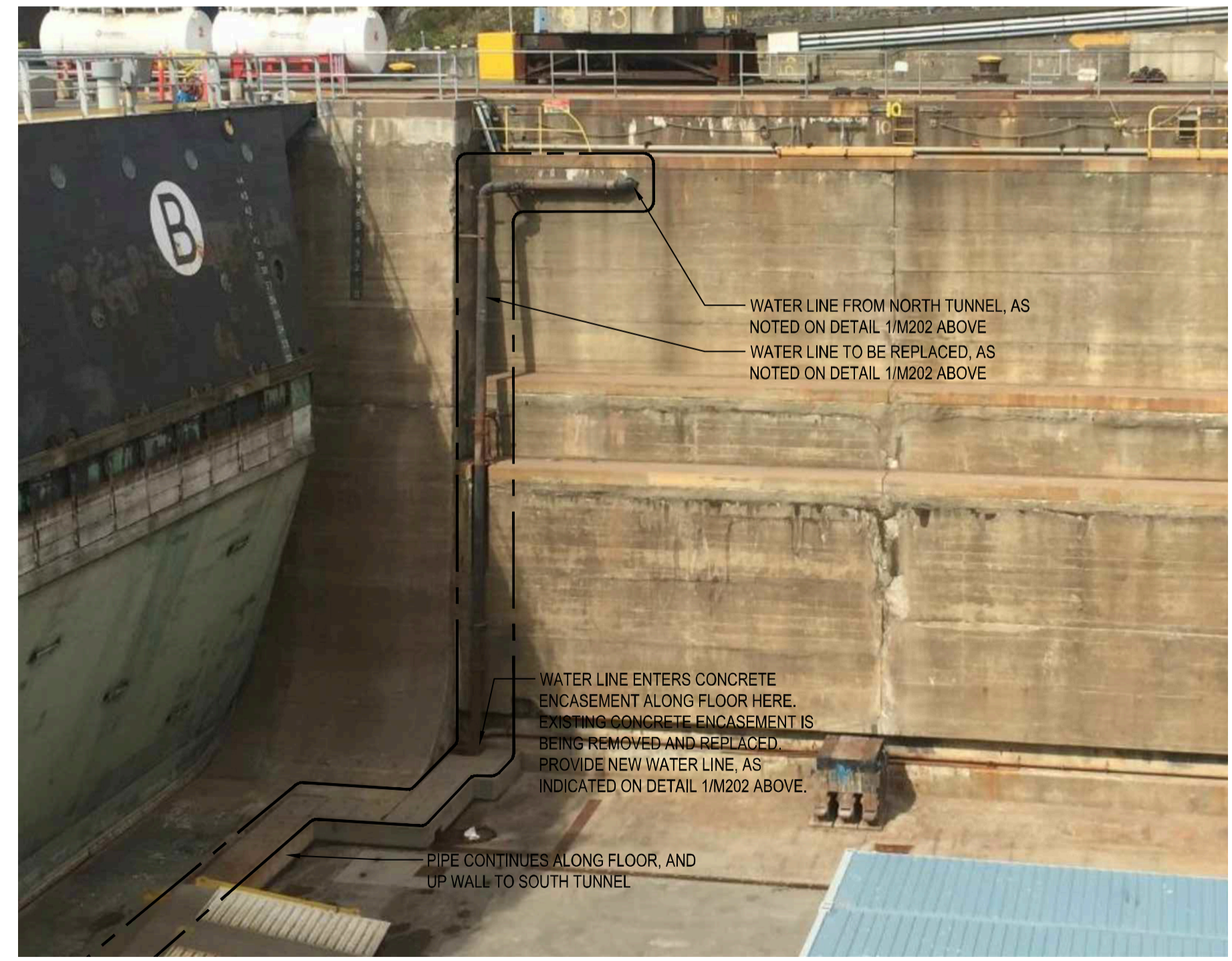
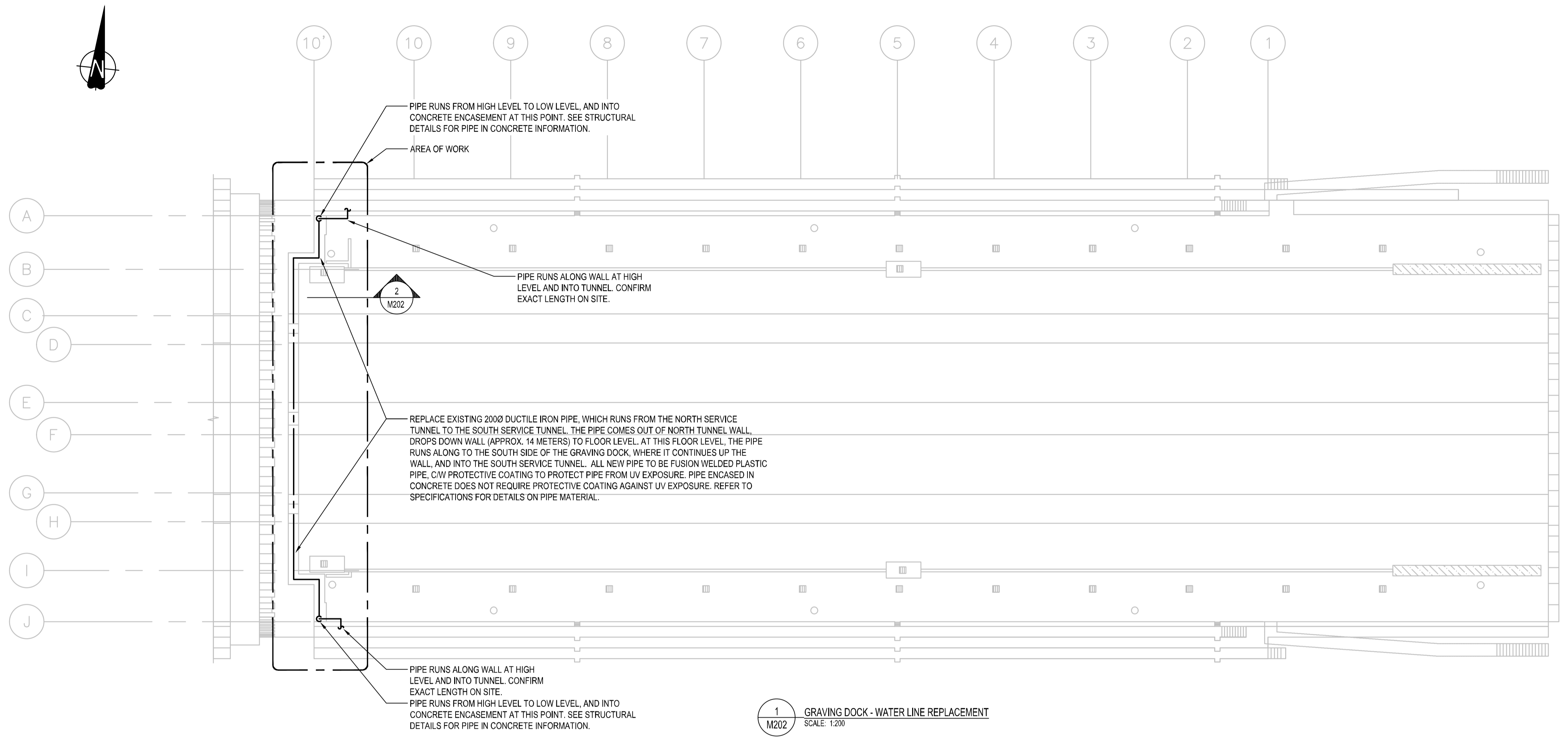
PWSC Project Manager/Administrateur de Projets TPSGC
Eugene Yeung

Regional Manager, Architectural and Engineering Services
Regional Manager, Environmental Services
Preestipal Paul

Drawing title/Titre du dessin
**NEW SITE PLAN -
SANITARY, WATER AND
COMPRESSED AIR RENOVATIONS**

Project No./No. du projet R.096320.002	Sheet/Feuille M201	Revision no./ La révision X
--	------------------------------	--





Revision/Redaction	Description/Description	Date/Date
1	ISSUED FOR TENDER	2021.07.07

Client/client
PUBLIC WORKS AND GOVERNMENT SERVICES CANADA

Project title/Titre du projet
**ESQUIMALT GRAVING DOCK
825 ADMIRALS ROAD, VICTORIA, BC**

Esquimalt Graving Dock East End Extension & Section 3 Dock Floor & Wall Refurbishment

Consultant Signature Only

Designed by/Concept par
GR/KH

Drawn by/Dessiné par
GR

PWGSC Project Manager/Administrateur de Projets TPSGC
Eugene Yeung

Regional Manager, Architectural and Engineering Services
Regional Manager, Environmental Services
Preestipal Paul

Drawing title/Titre du dessin
**GRAVING DOCK -
WATER LINE REPLACEMENT**

Project No./No. du projet R.096320.002	Sheet/Feuille M202	Revision no./La révision X
---	-----------------------	-------------------------------





Revision/	Description/Description	Date/Date
1	ISSUED FOR TENDER	2021.07.07

PUBLIC WORKS AND GOVERNMENT SERVICES CANADA

Project title/Titre du projet
**Esquimalt Graving Dock East
825 ADMIRALS ROAD, VICTORIA, BC**

**Esquimalt Graving Dock East
End Extension & Section 3 Dock
Floor & Wall Refurbishment**

Consultant Signature Only

Designed by/Concept par
GR/KH

Drawn by/Dessiné par
GR

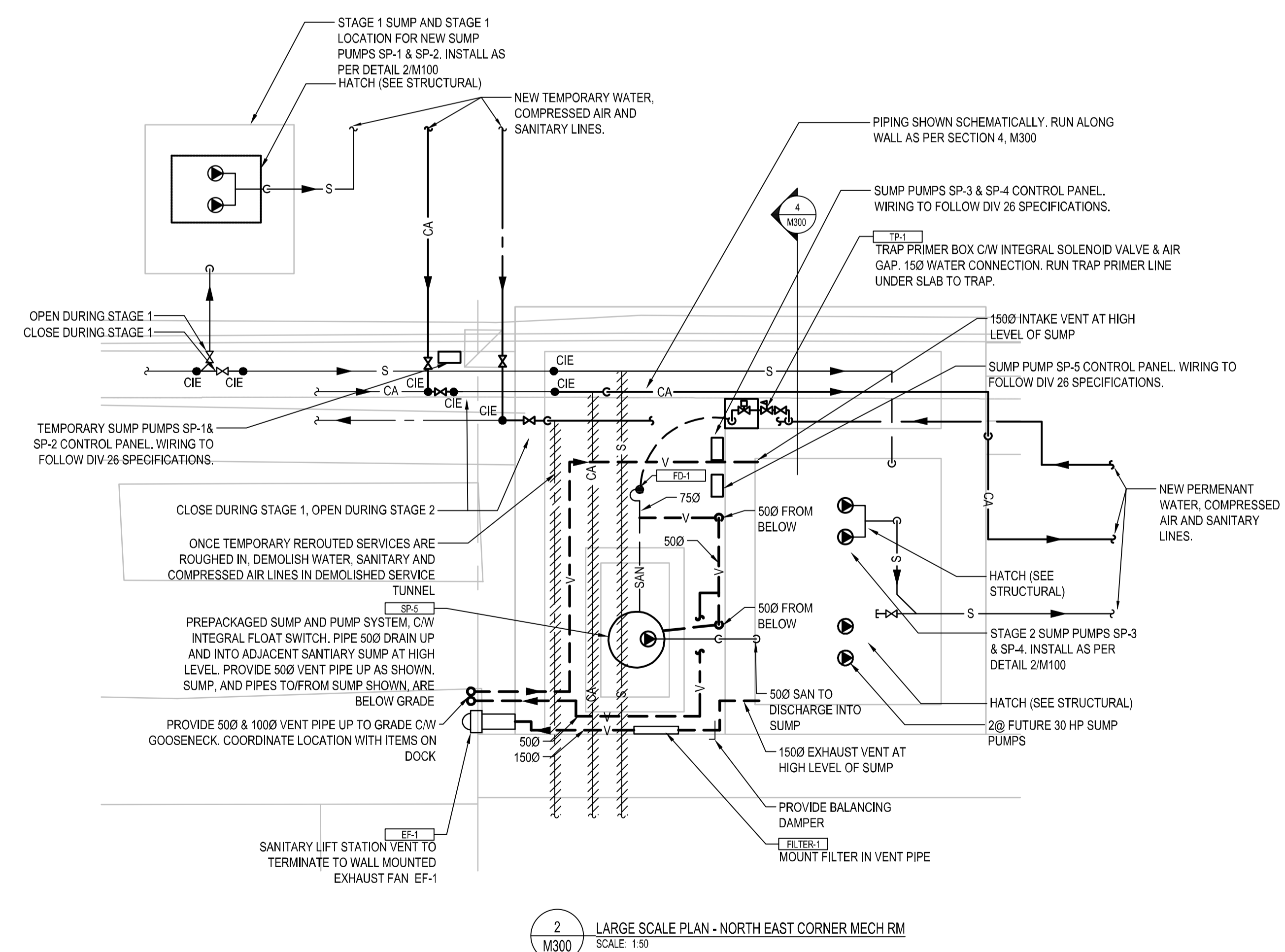
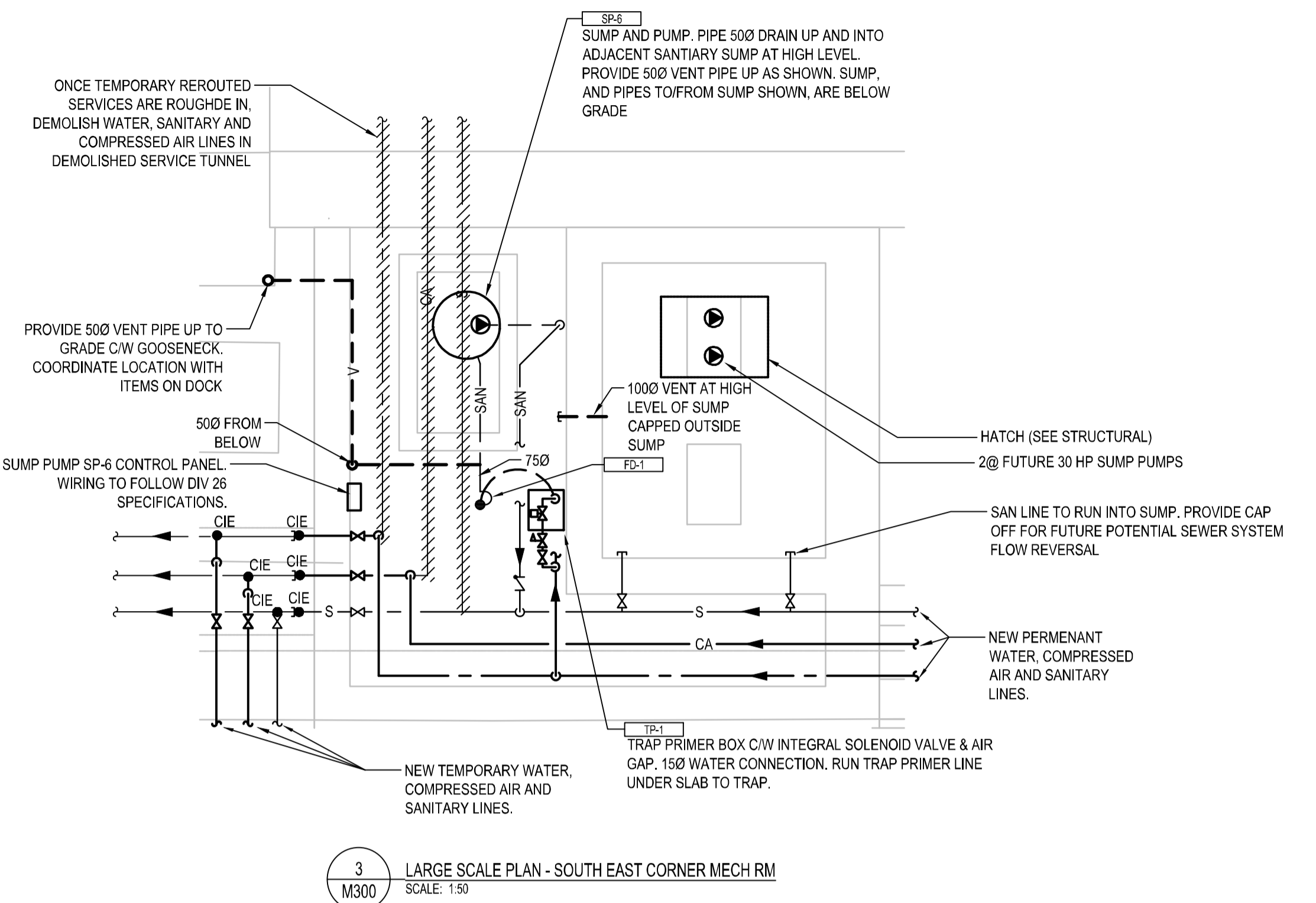
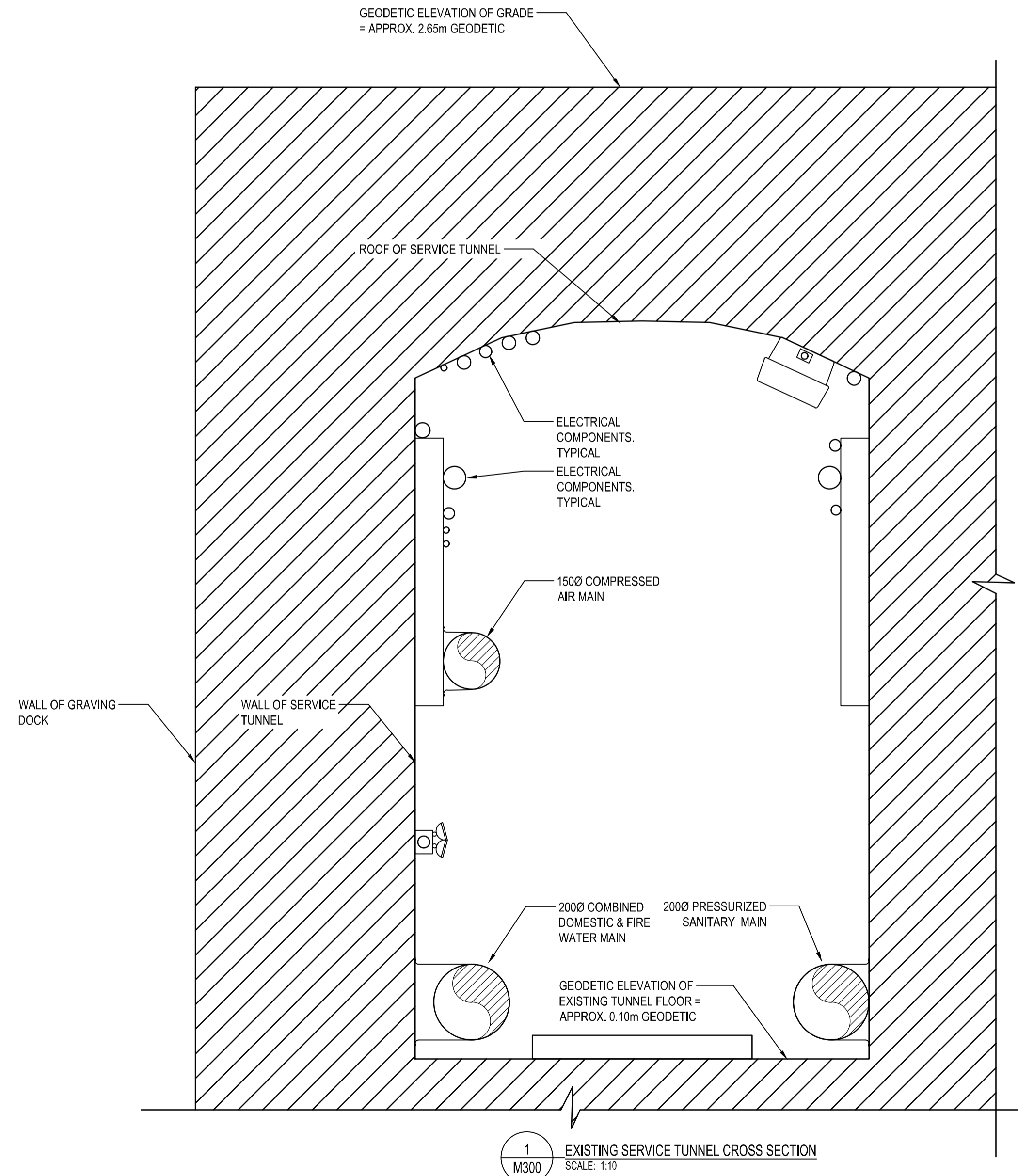
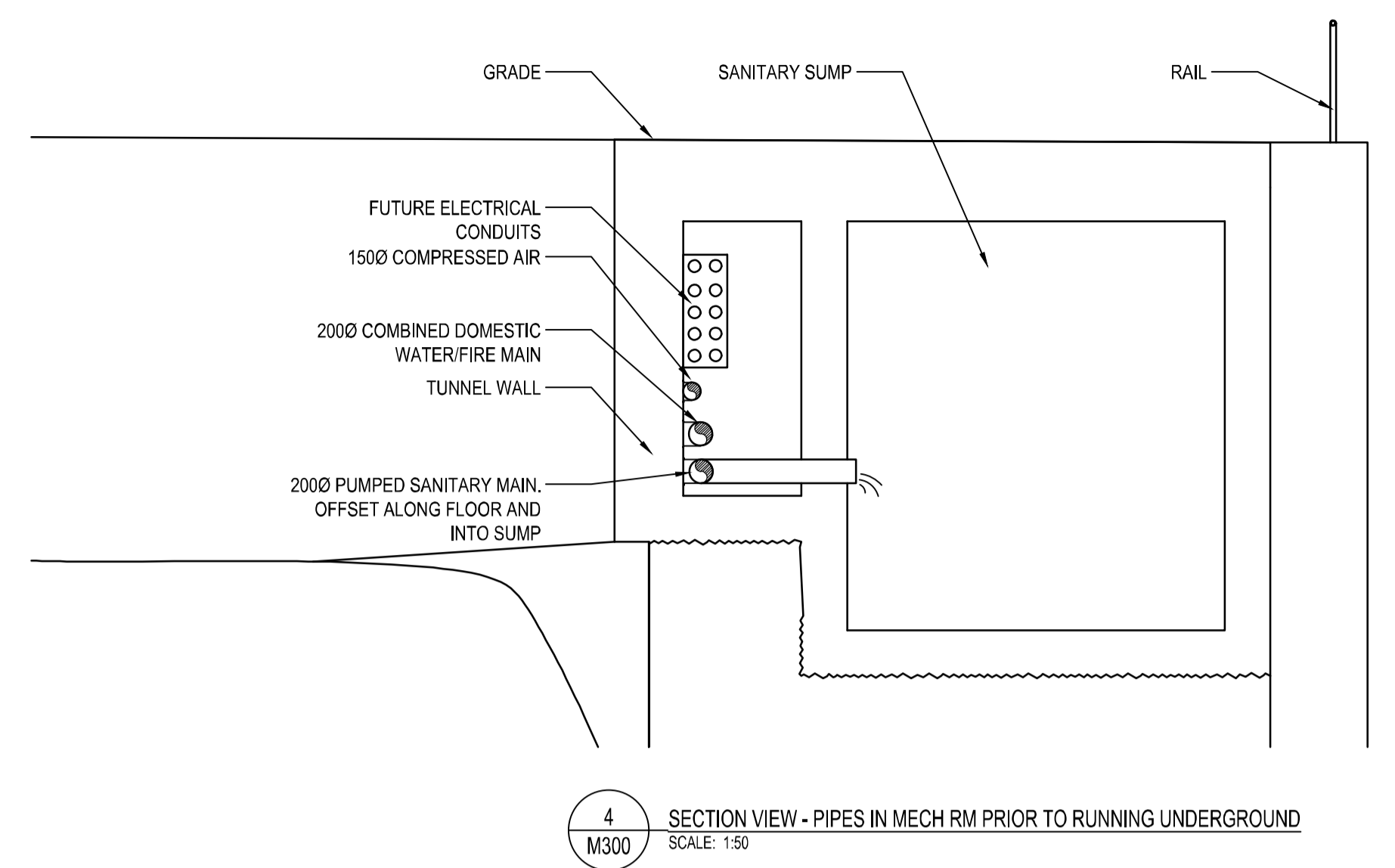
PWSC Project Manager/Administrateur de Projets TPSCG
Eugene Yeung

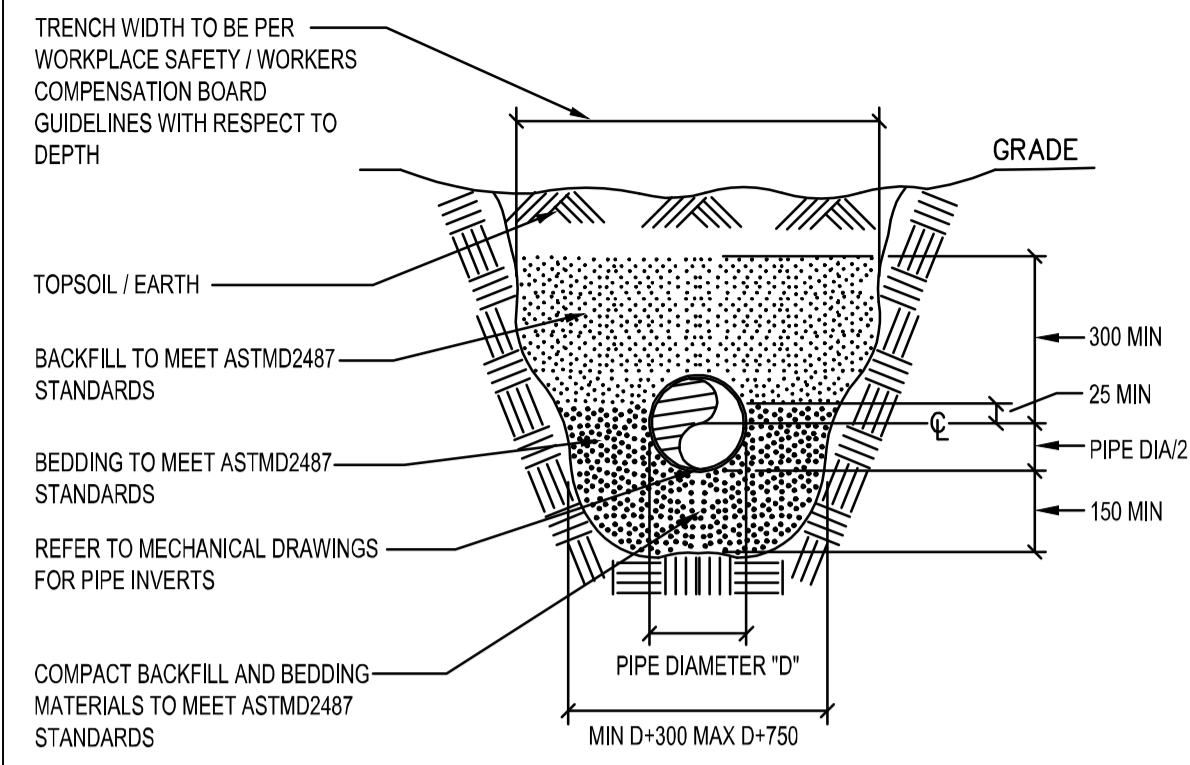
Regional Manager, Architectural and Engineering Services
Regional Manager, Environmental Services
Preestipal Paul

Drawing title/Titre du dessin

**MECHANICAL LARGE SCALE
PLANS AND SECTIONS**

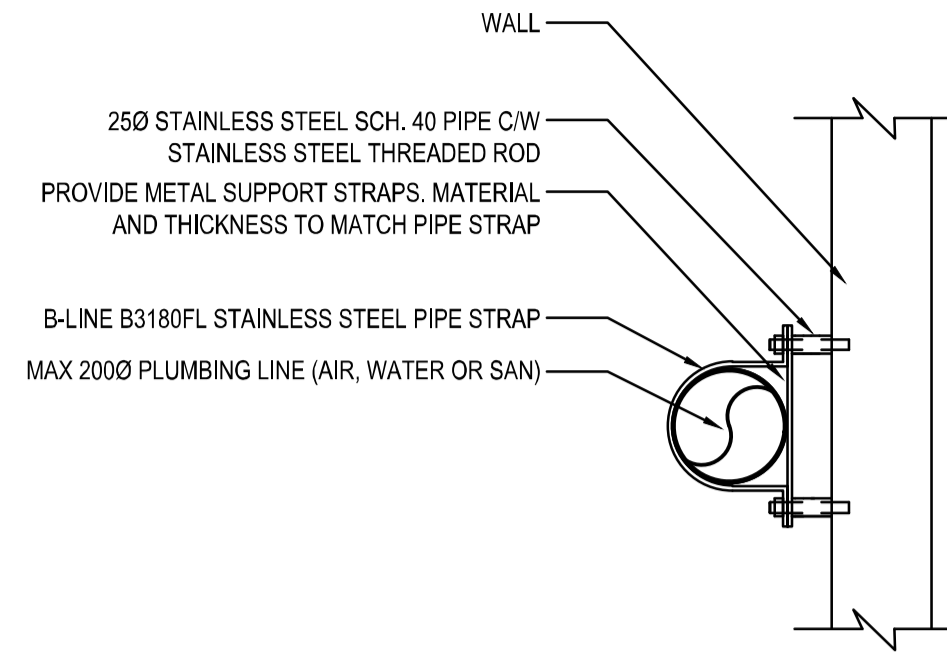
Project No./No. du projet R.096320.002	Sheet/Feuille M300	Revision no./ La Révision X
--	------------------------------	--





MINIMUM 450 COVER FOR ALL BURIED PIPING.
MINIMUM 750 COVER FOR ALL TRAFFIC AREAS.

1 BURIED PIPE DETAIL
SCALE: NTS
M301

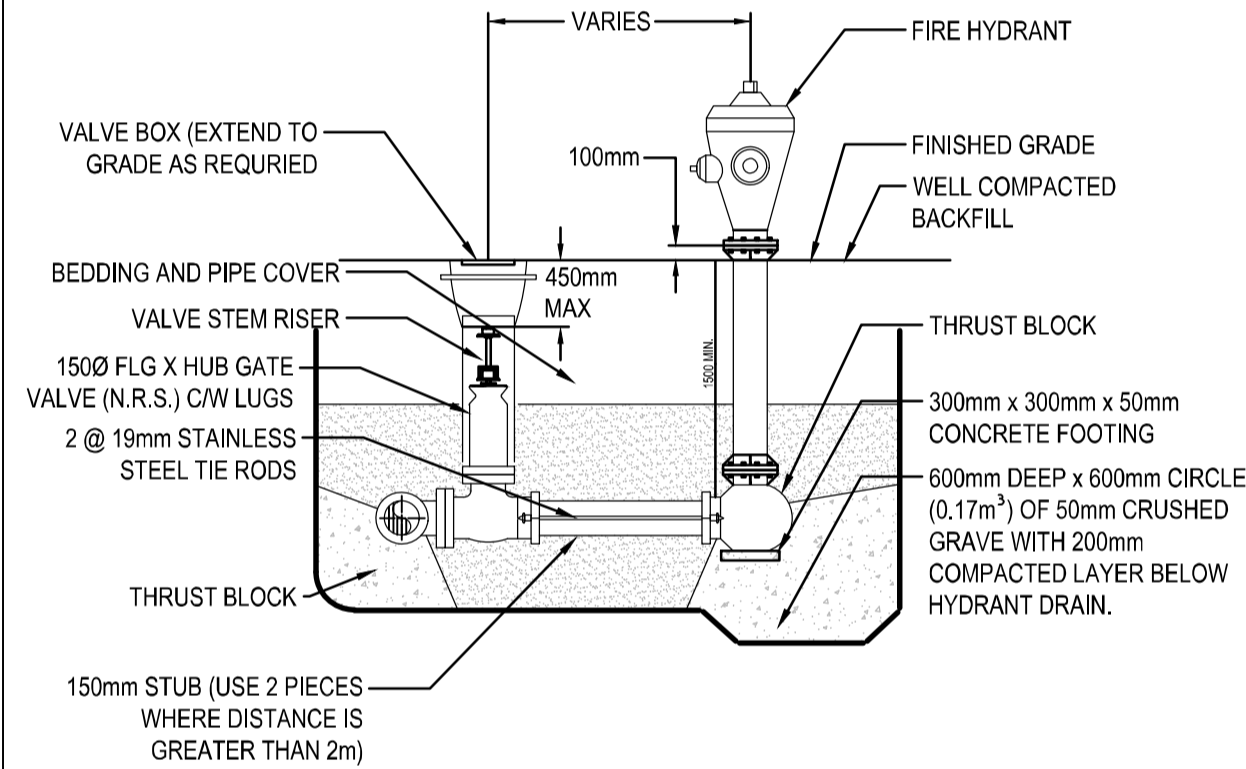
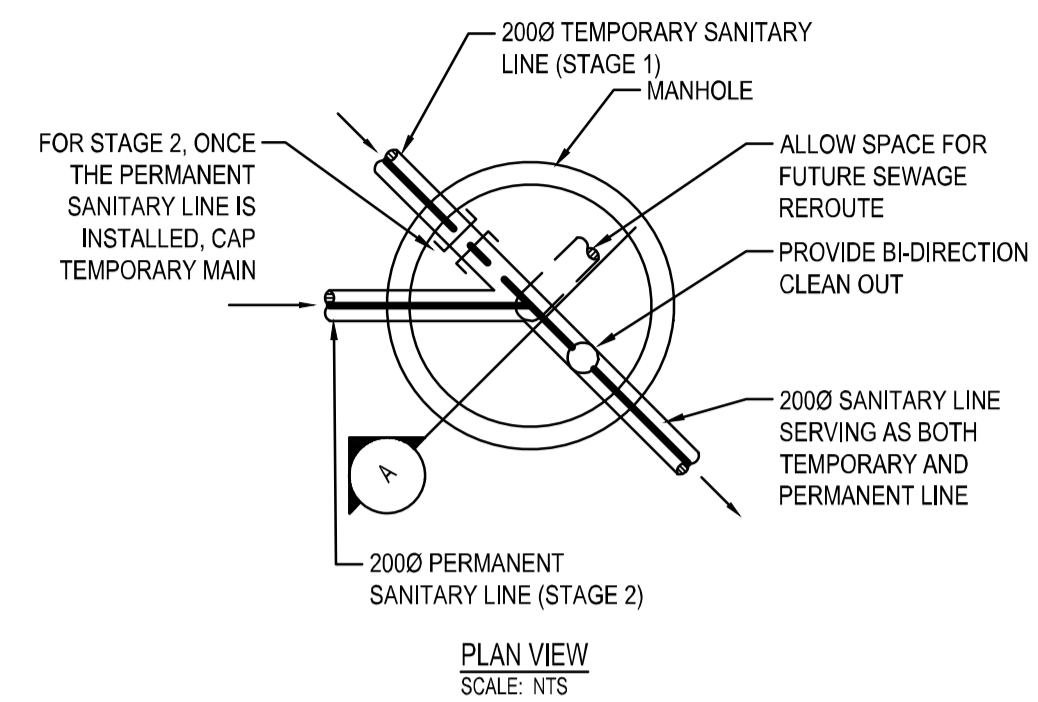
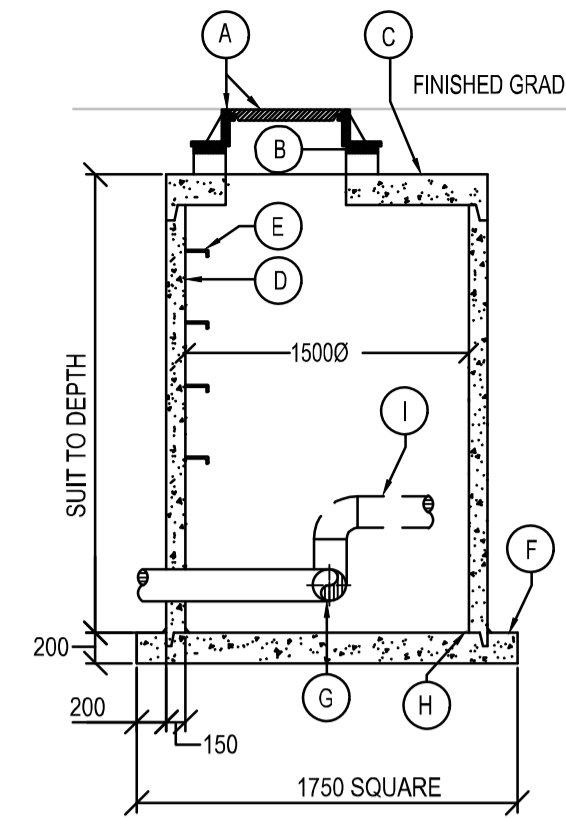


2 WALL MOUNTED PIPE SUPPORT DETAIL
SCALE: NTS
M301

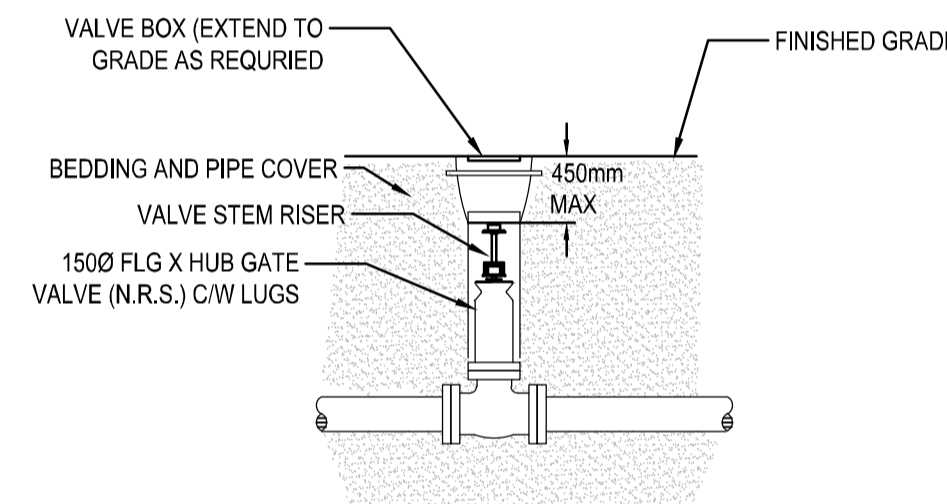
- A WATER TIGHT COVER & FRAME. TO MEET THE FOLLOWING LOAD REQUIREMENTS:
- H20
 - CL825
 - 51 KN DISTRIBUTED OVER A SINGLE .25M X .25M WHEEL PATCH
 - 70 KN DISTRIBUTED OVER A SINGLE .25M X .6M WHEEL PATCH
 - 135 KN DISTRIBUTED OVER A SINGLE .35M X .75M WHEEL PATCH
- B BRICK UP TO SUIT OR PRECAST CONC. SPACER RINGS.
- C PRECAST REINFORCED CONC. LID SUITABLE FOR H-20 HWY. LOADING.
- D PRECAST REINFORCED CONC. MANHOLE SECTIONS SUITABLE FOR H-20 HWY. LOADING.
- E FOR MANHOLES GREATER THAN 1200 MM IN DEPTH, PROVIDE 18 MM GALV. STEEL RINGS AT 300 MM O/C FOR FULL DEPTH.
- F POURED IN PLACE REINFORCED CONC. BASE. PROVIDE SANDFILL UNDER AND AROUND BASE.
- G SANITARY MAIN. SIZE AS SHOWN ON DWGS.
- H GROUT ALL JOINTS.
- I FUTURE SAN LINE

GENERAL NOTES:
1. MANHOLE COVER AND FRAME SHALL BE SET 18 MM ABOVE FINISHED GRADE.

3 SANITARY JUNCTION ACCESS MANHOLE DETAIL
SCALE: NTS
M301



4 FIRE HYDRANT DETAIL
SCALE: NTS
M301



5 UNDERGROUND VALVE DETAIL - WATER OR COMPRESSED AIR
SCALE: NTS
M301



Revision/	Description/Description	Date/Date
1	ISSUED FOR TENDER	2020.08.10

Client/client
PUBLIC WORKS AND GOVERNMENT SERVICES CANADA

Project title/Titre du projet
**ESQUIMALT GRAVING DOCK
825 ADMIRALS ROAD, VICTORIA, BC**

Esquimalt Graving Dock East End Extension & Section 3 Dock Floor & Wall Refurbishment

Consultant Signature Only
Designed by/Concept par GR/KH
Drawn by/Dessiné par GR
PWGSC Project Manager/Administrateur de Projets TPSGC Eugene Yeung
Regional Manager, Architectural and Engineering Services / Regional Manager, Environmental Services / Précepteur Paul

Drawing title/Titre du dessin
MECHANICAL DETAILS

Project No./No. du projet R.096320.002	Sheet/Feuille M301	Revision no./Révision X
---	-----------------------	----------------------------

