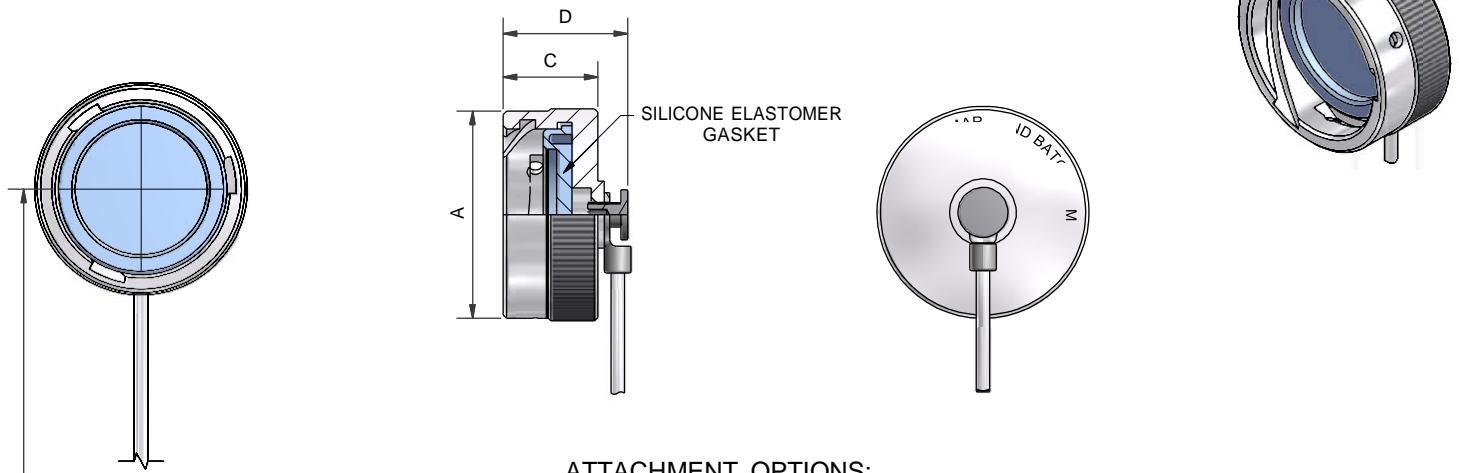
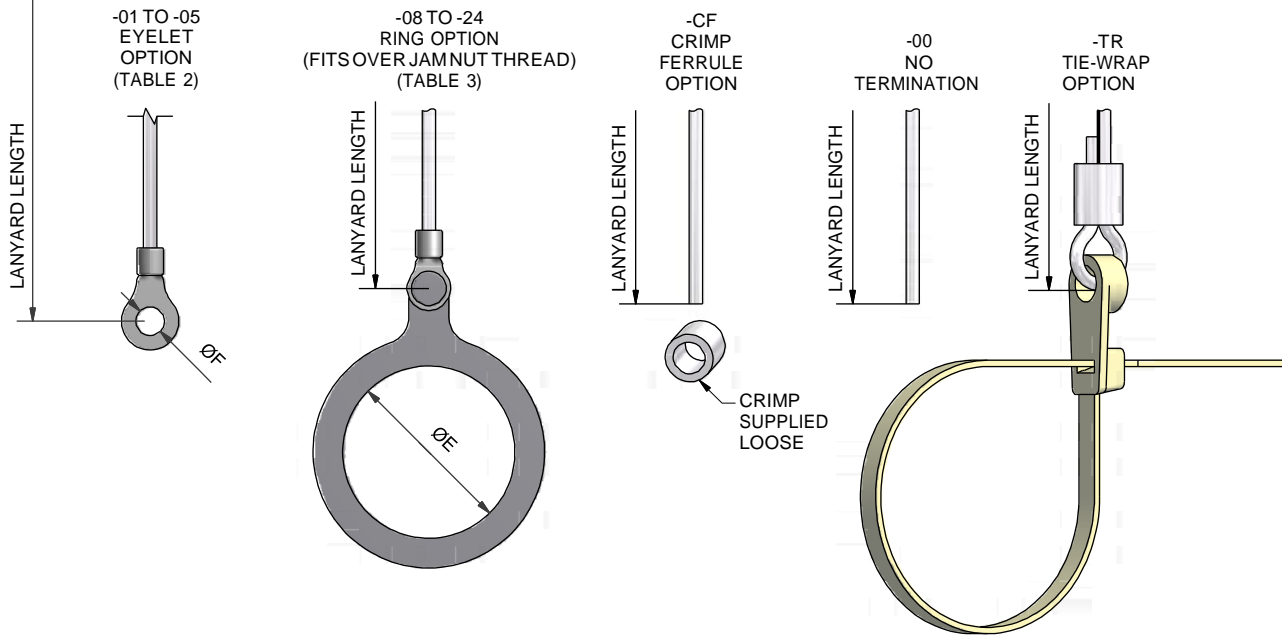


WITH ATTACHMENT



ATTACHMENT OPTIONS:



OMIT FOR NO ATTACHMENT  
(SEE SHEET 2)

PRC3181-16-1-D-NK5-03

SERIES \_\_\_\_\_  
 INSERT R FOR ARCTIC \_\_\_\_\_  
 GRIP VERSION \_\_\_\_\_  
 SHELL SIZE (TABLE 1) \_\_\_\_\_  
 MATERIAL (TABLE 5) \_\_\_\_\_  
 FINISH (TABLE 6) \_\_\_\_\_  
 LANYARD TYPE (TABLE 4) \_\_\_\_\_  
 LANYARD LENGTH (IN INCHES) \_\_\_\_\_  
 +1,0"/-0" TOLERANCE \_\_\_\_\_  
 ATTACHMENT (SEE ABOVE) \_\_\_\_\_

DRAWN	K.WINCZURA		DATE	04/01/2013		 3RD ANGLE PROJECTION NOT TO SCALE	 <b>POLAMCO LTD</b> www.polamco.com	WESTONLOCK LOWER BRISTOL ROAD BATH BA2 1EP	THIS DRAWING IS COPYRIGHTED AND THE PROPERTY OF POLAMCO LTD IT MUST NOT BE COPIED, USED FOR MANUFACTURE OR OTHERWISE DISCLOSED WITHOUT PRIOR WRITTEN CONSENT OF THE COMPANY.
SALES APPR			DATE	04/01/2013					
DESIGN APPR	K.SHEPPARD		DATE	07/01/2013		UNLESS OTHERWISE SPECIFIED ALL DIMENSIONS IN MILLIMETRES GENERAL TOL LINEAR +/-0,25MM ANGULAR +/- 1°	ASSY USED ON: MIL-DTL-26482 SERIES I & II  TITLE: <b>RECEPTACLE PROTECTION COVER</b>		
PROD APPR									
QUAL APPR						MATERIAL SEE TABLE 5	PART NUMBER: <b>PRC3181</b> SERIES	DRAWING NO: <b>P25639</b>	SHT <b>1</b>
ISSUE	REV	DCR							
4	2	5726							
NCAGE CODE U5792		WEIGHT		---					

ARCTIC GRIP VERSION

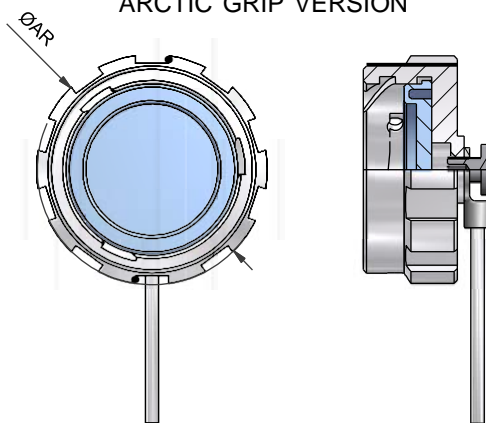


TABLE 1

SHELL SIZE	ØA MAX	ØAR MAX	C MAX	D MAX
08	18,64	21,34	14,27	21,44
10	21,82	24,52	14,27	21,44
12	25,40	28,10	14,27	21,44
14	28,58	31,28	14,27	21,44
16	31,75	34,45	14,27	21,44
18	34,92	37,62	14,27	21,44
20	38,10	40,80	14,27	21,44
22	41,28	43,98	14,27	21,44
24	44,45	47,15	15,29	22,22

TABLE 2

EYELET REF.	ØF
01	3,2
02	3,7
03	4,3
04	5,3
05	6,4

TABLE 3

RING REF.	ØE
08	15,1
10	18,0
12	22,6
14	25,8
16	28,8
18	32,0
20	35,0
22	38,3
24	41,7

TABLE 4

CODE	LANYARD TYPE
WR	NYLON COVERED (CLEAR) STAINLESS STEEL WIRE ROPE
TC	TEFLON COVERED (CLEAR) STAINLESS STEEL WIRE ROPE
WG	TEFLON COVERED (OLIVE DRAB) STAINLESS STEEL WIRE ROPE
WB	TEFLON COVERED (BLACK) STAINLESS STEEL WIRE ROPE
WRB	PVC COVERED (BLACK) STAINLESS STEEL WIRE ROPE
LC	LINK CHAIN
BK	BLACK CORD
VGB	1,5mm BLACK POLYESTER CORD EQV. TO DIN83330-E1,5
B	BEAD CHAIN
R	OLIVE DRAB POLYESTER CORD
NB	OLIVE DRAB NYLON CORD
NK	BLACK NYLON CORD

TABLE 5

CODE	MATERIAL
1	ALUMINIUM
2	NICKEL ALUMINIUM BRONZE
4	STAINLESS STEEL
7	BLACK ACETAL
74	COMPOSITE

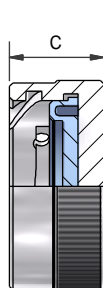
LIST NOT EXHAUSTIVE, SEE MATERIAL TABLE FOR OTHER OPTIONS

TABLE 6

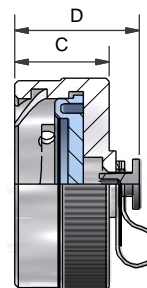
CODE	DESCRIPTION
B	CADMIUM, OLIVE DRAB OVER ELECTROLESS NICKEL
C	ELECTROLESS NICKEL
G	BLACK ANODISE, SULPHURIC
J	PASSIVATE
U	UNPLATED CLEAN FINISH NOT SHOT BLASTED
Z	SHOT BLAST FOR NON-REFLECTIVE FINISH
ZB	ZINC COBALT OLIVE DRAB OVER ELECTROLESS NICKEL
ZN	ZINC NICKEL BLACK PASSIVATE OVER ELECTROLESS NICKEL

LIST NOT EXHAUSTIVE, SEE PLATING TABLE FOR OTHER OPTIONS

WITHOUT ATTACHMENT



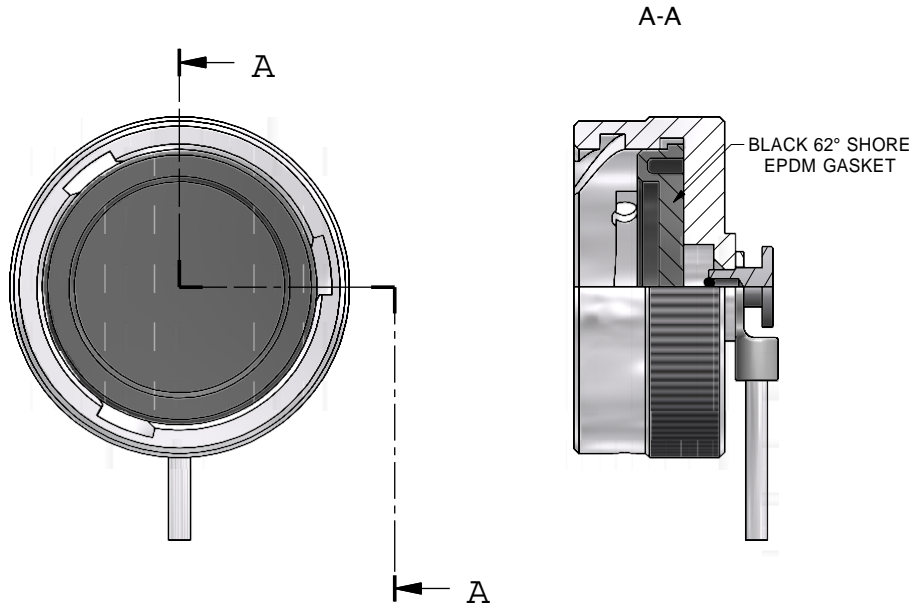
PRC3181-16-1-C  
NO ATTACHMENT VERSION



PRC3181-16-1-C-EO  
EYELET ONLY VERSION  
(NO LANYARD)

DRAWN	K.WINCZURA	DATE	04/01/2013	<p>3RD ANGLE PROJECTION NOT TO SCALE</p>	<p><b>POLAMCO LTD</b> www.polamco.com</p>	<p>WESTON LOCK LOWER BRISTOL ROAD BATH BA2 1EP</p>	<p>THIS DRAWING IS COPYRIGHT AND THE PROPERTY OF POLAMCO LTD IT MUST NOT BE COPIED, USED FOR MANUFACTURE OR OTHERWISE DISCLOSED WITHOUT PRIOR WRITTEN CONSENT OF THE COMPANY.</p>
SALES APPR		04/01/2013					
DESIGN APPR	K.SHEPPARD	07/01/2013		<p>UNLESS OTHERWISE SPECIFIED ALL DIMENSIONS IN MILLIMETRES GENERAL TOL LINEAR +/-0,25MM ANGULAR +/- 1°</p>	<p>ASSY USED ON: MIL-DTL-26482 SERIES I &amp; II</p>	<p>TITLE: <b>RECEPTACLE PROTECTION COVER</b></p>	<p>DRAWING NO: SHT <b>P25639 2</b></p>
PROD APPR							
QUAL APPR				<p>MATERIAL SEE TABLE 5</p>	<p>TITLE: <b>RECEPTACLE PROTECTION COVER</b></p>	<p>PART NUMBER: <b>PRC3181 SERIES</b></p>	<p>DRAWING NO: SHT <b>P25639 2</b></p>
ISSUE	REV	DCR					
4	2	5726		<p>FINISH SEE TABLE 6</p>			
NCAGE CODE U5792		WEIGHT					

OPTIONAL GASKET:



OMIT FOR NO ATTACHMENT  
(SEE SHEET 2)

PRC3181-16-1-D-NK5-03-EPDM

- SERIES \_\_\_\_\_
- INSERT R FOR ARCTIC \_\_\_\_\_
- GRIP VERSION \_\_\_\_\_
- SHELL SIZE (TABLE 1) \_\_\_\_\_
- MATERIAL (TABLE 5) \_\_\_\_\_
- FINISH (TABLE 6) \_\_\_\_\_
- LANYARD TYPE (TABLE 4) \_\_\_\_\_
- LANYARD LENGTH (IN INCHES) \_\_\_\_\_
- +1,0"/-0" TOLERANCE \_\_\_\_\_
- ATTACHMENT (SEE ABOVE) \_\_\_\_\_
- EPDM GASKET \_\_\_\_\_

DRAWN K.WINCZURA		DATE 04/01/2013		 3RD ANGLE PROJECTION NOT TO SCALE	 <b>POLAMCO LTD</b> www.polamco.com	WESTONLOCK LOWER BRISTOL ROAD BATH BA2 1EP		THIS DRAWING IS COPYRIGHT AND THE PROPERTY OF POLAMCO LTD	
SALES APPR		04/01/2013				ASSY USED ON: MIL-DTL-26482 SERIES I & II		IT MUST NOT BE COPIED, USED FOR MANUFACTURE OR OTHERWISE DISCLOSED WITHOUT PRIOR WRITTEN CONSENT OF THE COMPANY.	
DESIGN APPR K.SHEPPARD		07/01/2013		UNLESS OTHERWISE SPECIFIED ALL DIMENSIONS IN MILLIMETRES GENERAL TOL LINEAR +/-0,25MM ANGULAR +/- 1°	TITLE: <b>RECEPTACLE PROTECTION COVER</b>				
PROD APPR					MATERIAL SEE TABLE 5		PART NUMBER: <b>PRC3181 SERIES</b>		DRAWING NO: <b>P25639</b>
ISSUE <b>4</b>	REV <b>2</b>	DCR <b>5726</b>		FINISH SEE TABLE 6					
NCAGE CODE U5792		WEIGHT ---							