

No.	DATE	REVISION	BY
E	2020-12-17	ISSUED FOR TENDER	M.W.
D	2020-10-07	ISSUED FOR 100% REVIEW	M.W.
C	2020-06-26	RE-ISSUED FOR 99% REVIEW	M.W.
B	2020-01-31	ISSUED FOR 99% REVIEW	G.M.
A	2019-03-29	ISSUED FOR 66% REVIEW	V.D.

Do not scale drawings. Verify all dimensions and conditions on site and immediately notify the Departmental Representative of all discrepancies.

Detail No.	Detail Description
A	No. du détail
B	drawing no. - where detail required
C	dessin no. - ou détail exigé

project title
titre du projet
COBOURG CITY
COBOURG SEARCH AND RESCUE STATION

drawing title
titre du dessin
GENERAL MECHANICAL DETAILS

drawn by
dessiné par
H. EL-SABEH

designed by
conçu par
H. EL-SABEH

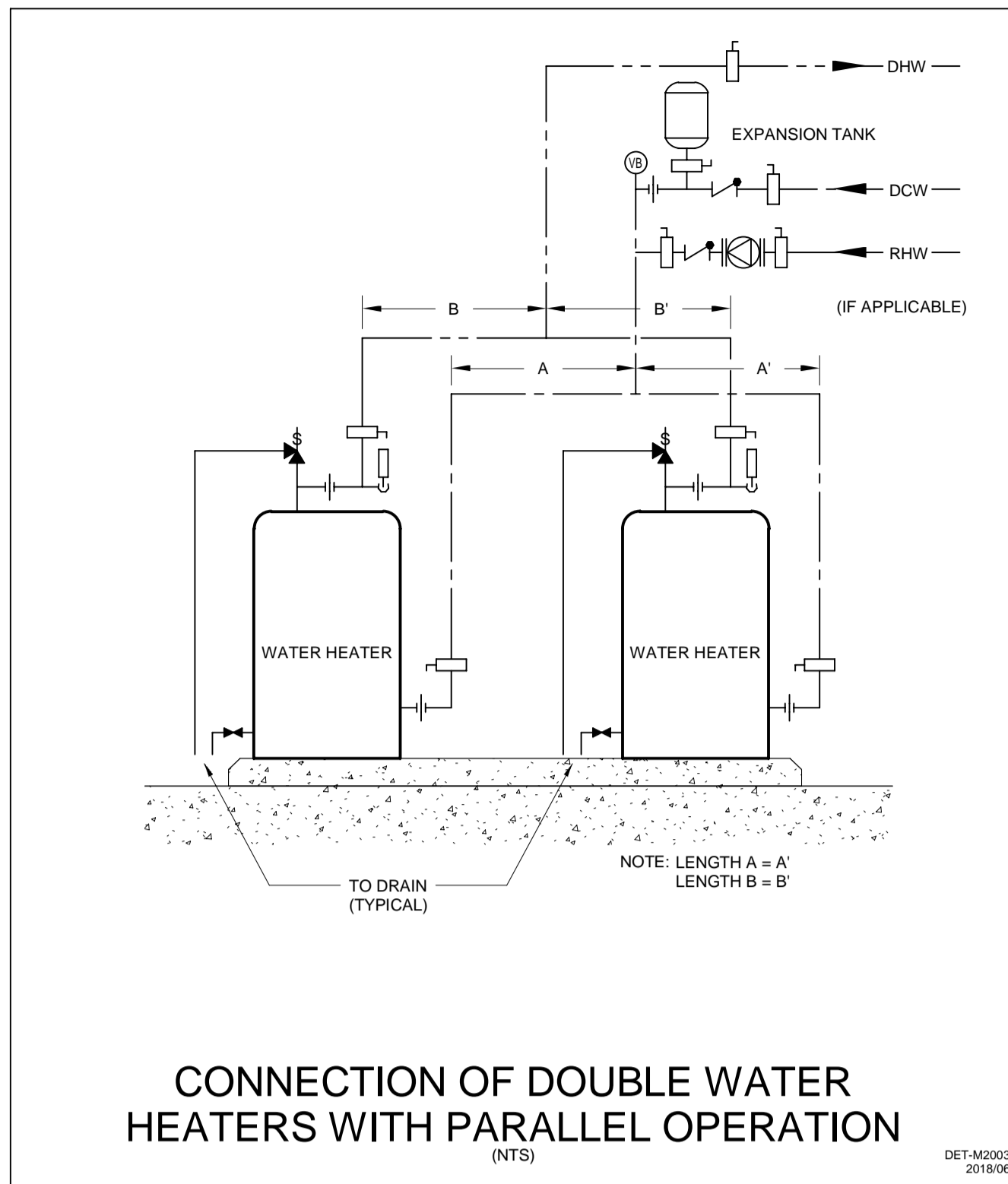
approved by
approuvé par
M. WALLACE

bid offer
offre de soumission
project manager
administrateur de projets

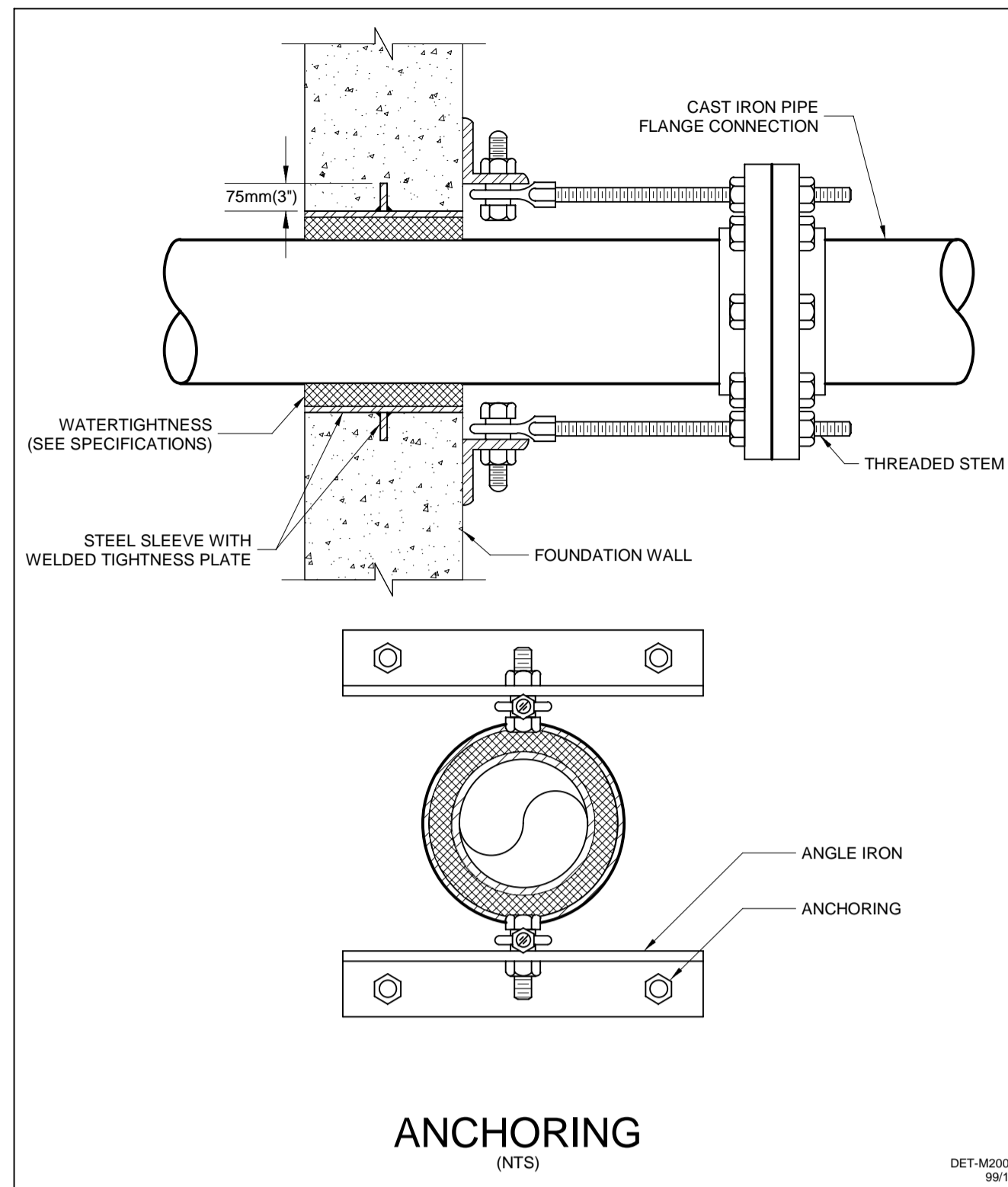
project date
date du projet
2020-06-30

project no.
no. du projet
R.084112.005

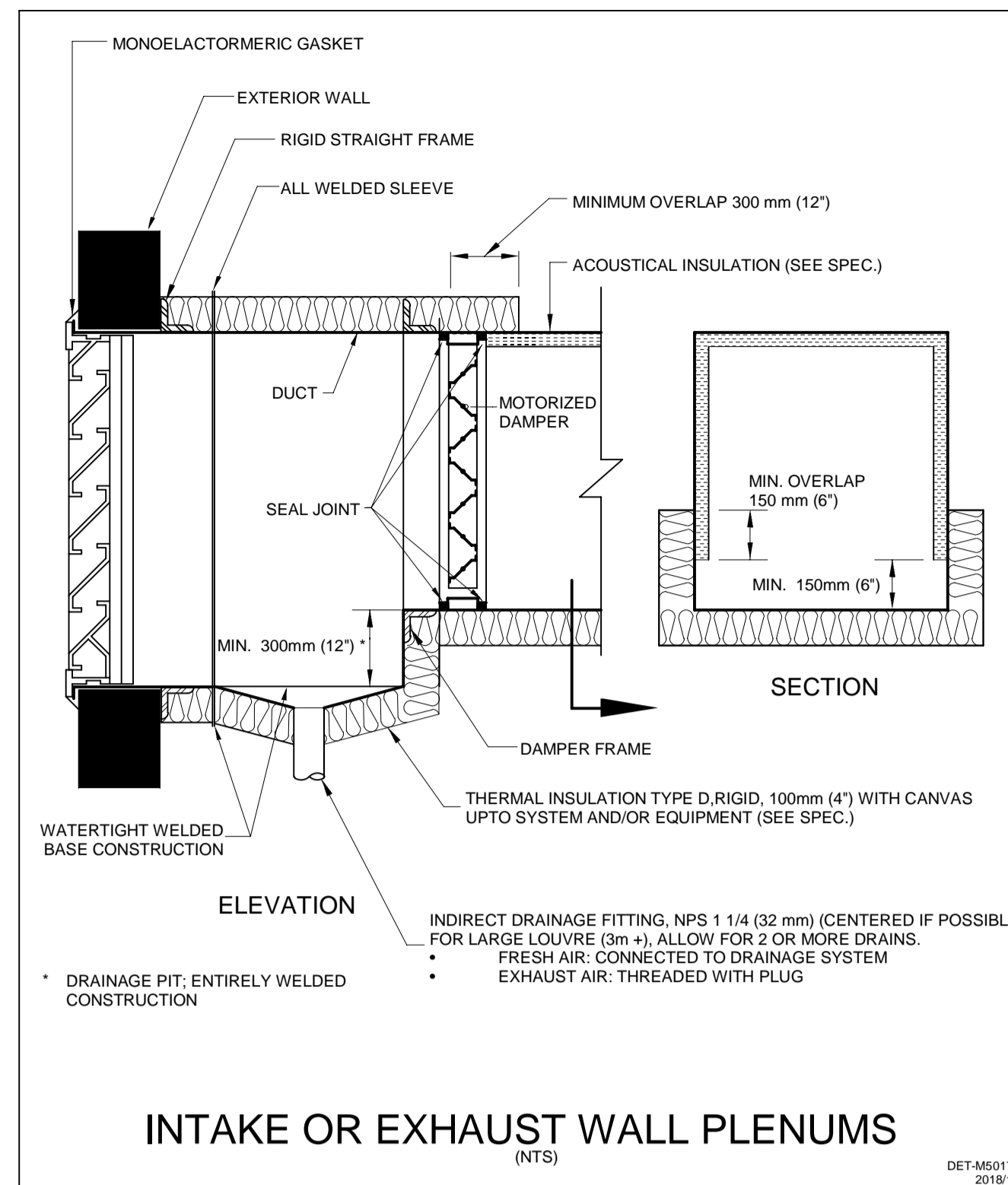
drawing no.
dessiné no.
M001



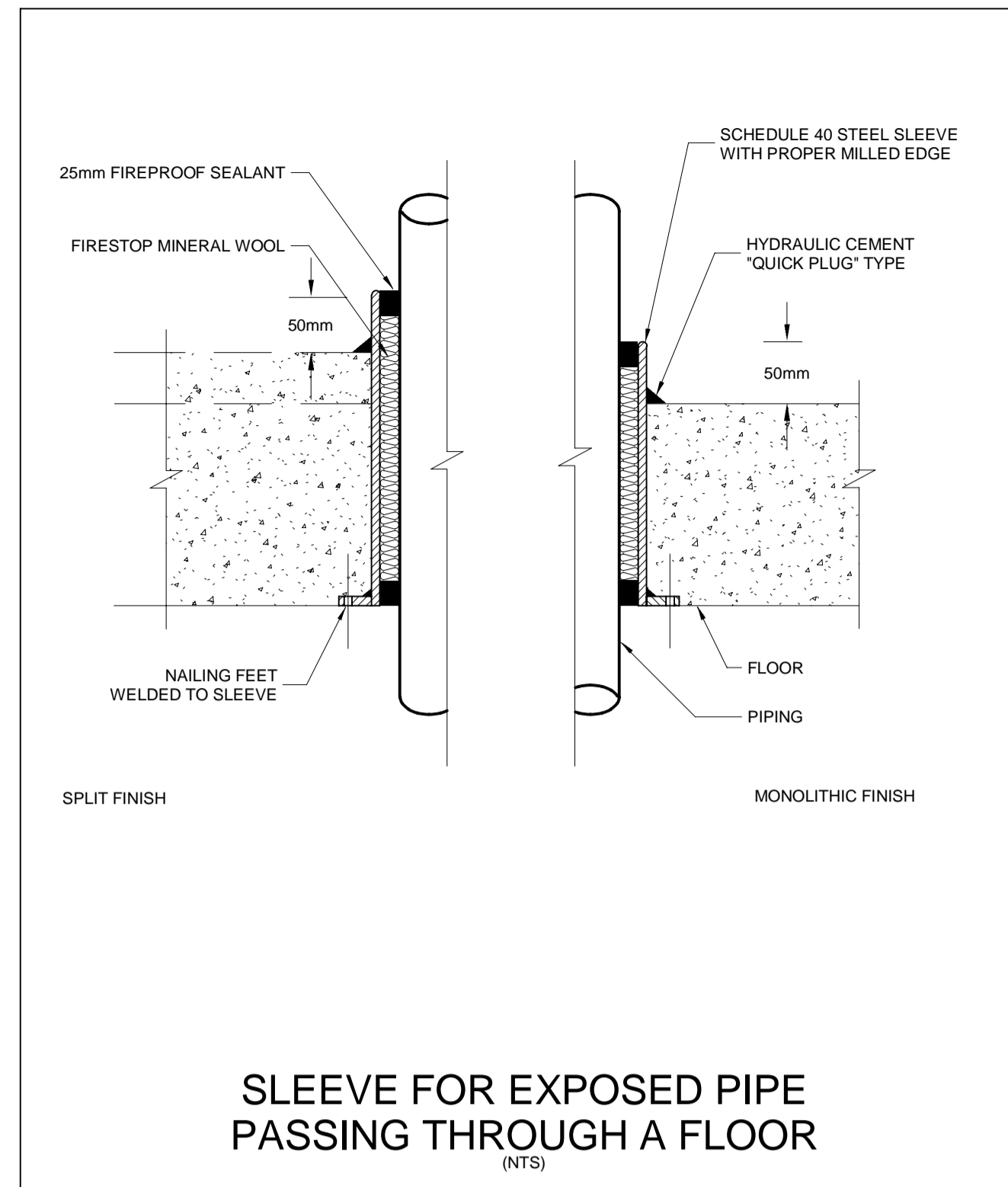
CONNECTION OF DOUBLE WATER HEATERS WITH PARALLEL OPERATION
(NTS)



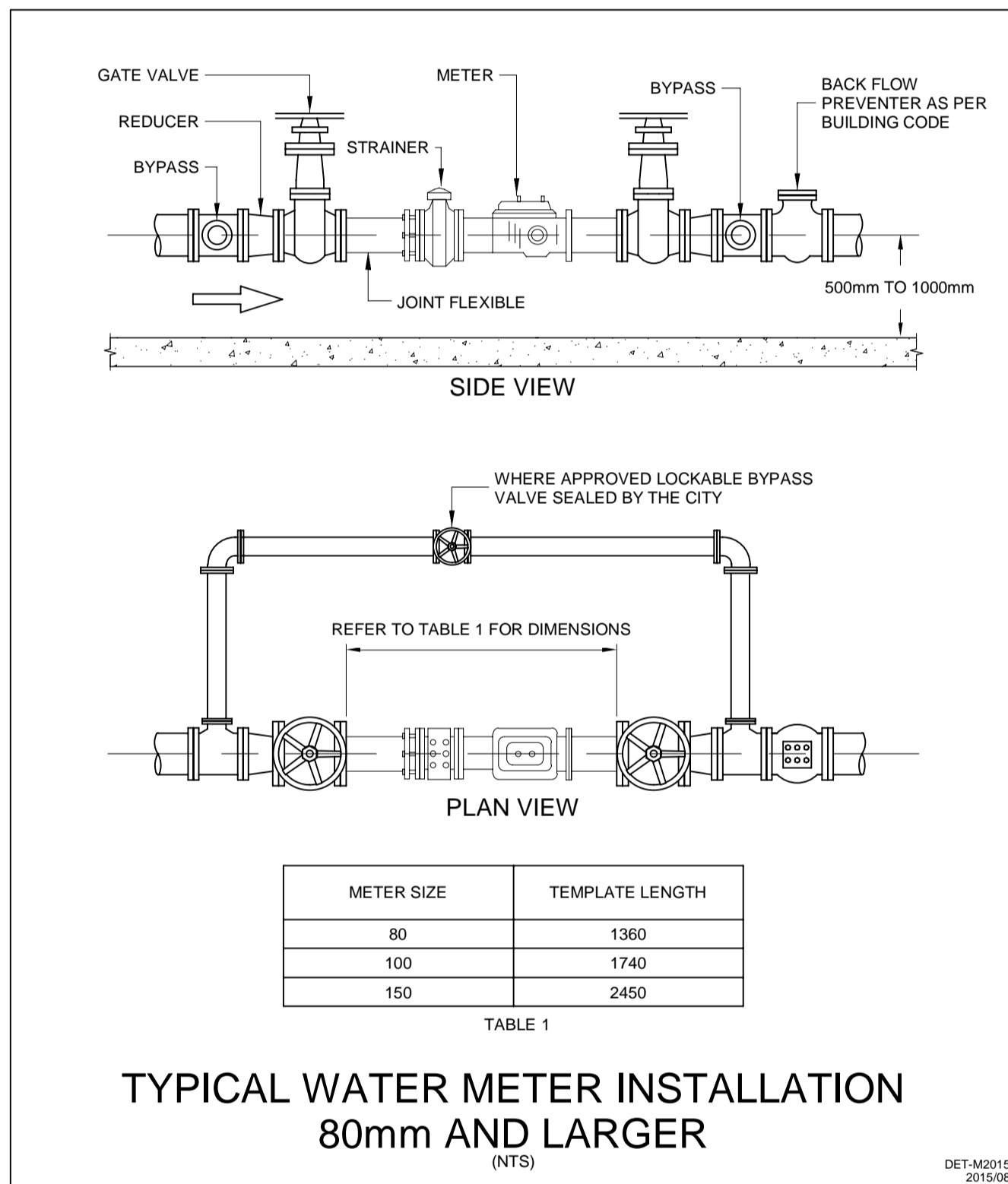
ANCHORING
(NTS)



INTAKE OR EXHAUST WALL PLENUMS
(NTS)



SLEEVE FOR EXPOSED PIPE PASSING THROUGH A FLOOR
(NTS)



TYPICAL WATER METER INSTALLATION 80mm AND LARGER
(NTS)

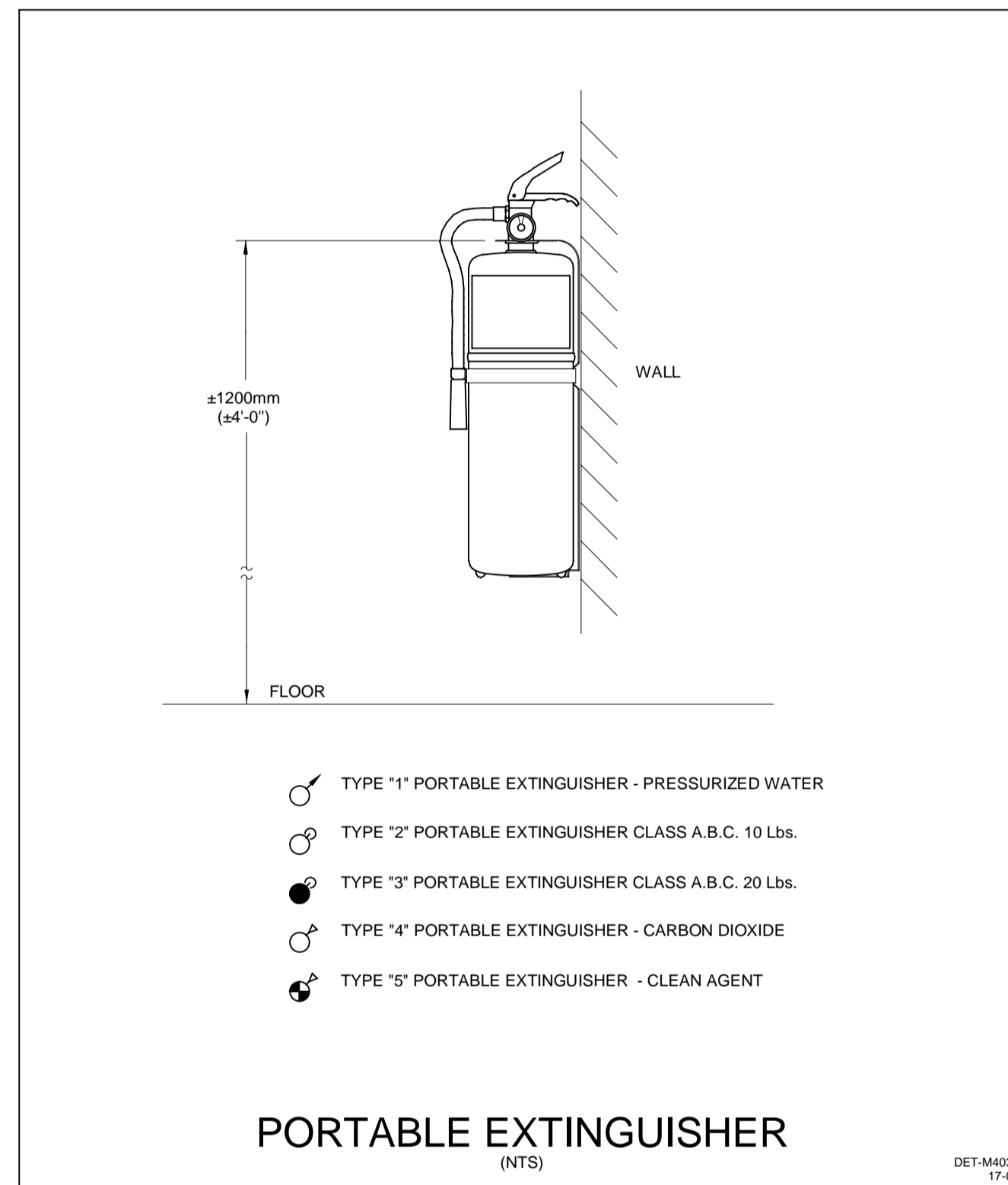
METER SIZE	TEMPLATE LENGTH
80	1360
100	1740
150	2450

TABLE 1

IDENTIFICATION	TYPE	COLD WATER	HOT WATER	DRAIN	VENT	NOTES
SINK	S-X	15 mm	15 mm	40 mm	40 mm	1
LAVATORY	L-X	15 mm	15 mm	40 mm	40 mm	1
WATER CLOSET	WC-X	15 mm	-	80 mm	50 mm	1, 2
URINAL	U-X	20 mm	-	50 mm	40 mm	1
SHOWER	SH-X	15 mm	15 mm	50 mm	40 mm	1
BATH	B-X	15 mm	15 mm	50 mm	40 mm	1
WASHING MACHINE	WM-X	15 mm	15 mm	50 mm	40 mm	1
MOP SINK	MS-X	15 mm	15 mm	80 mm	40 mm	1
FLOOR DRAIN	FD-X FFD-X	-	-	80 mm	-	1, 3

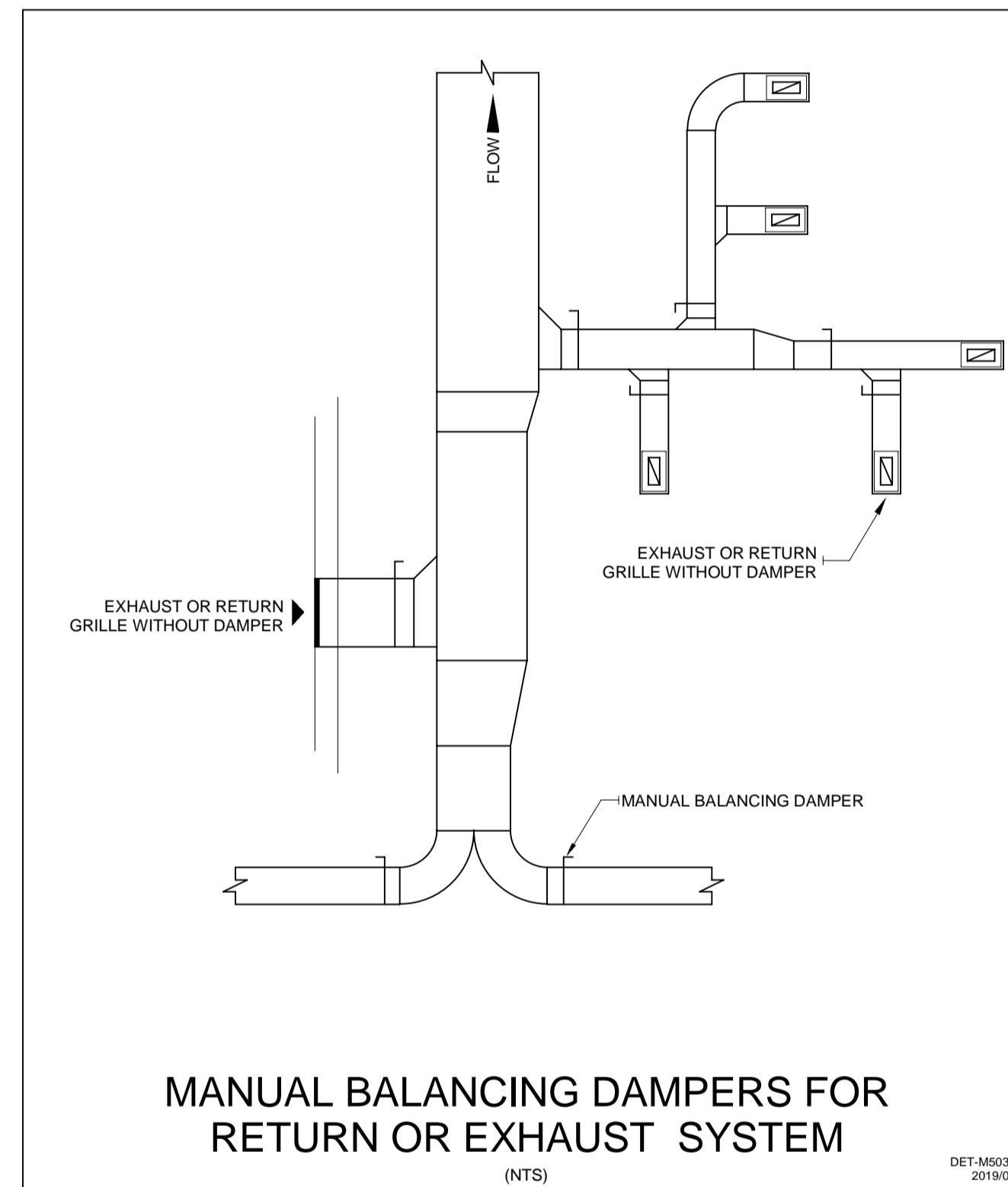
NOTE 1: EXCEPT INDICATED OTHERWISE, ALL FIXTURES MUST BE CONNECTED TO VENT PIPING.
NOTE 2: WATER CLOSET WITH FLUSH TANK
NOTE 3: EXCEPT INDICATED OTHERWISE, ALL FLOOR DRAINS AND OPEN DRAINS REQUIRE A 80 mm TRAP.

PLUMBING FIXTURES CONNECTIONS
(NTS)

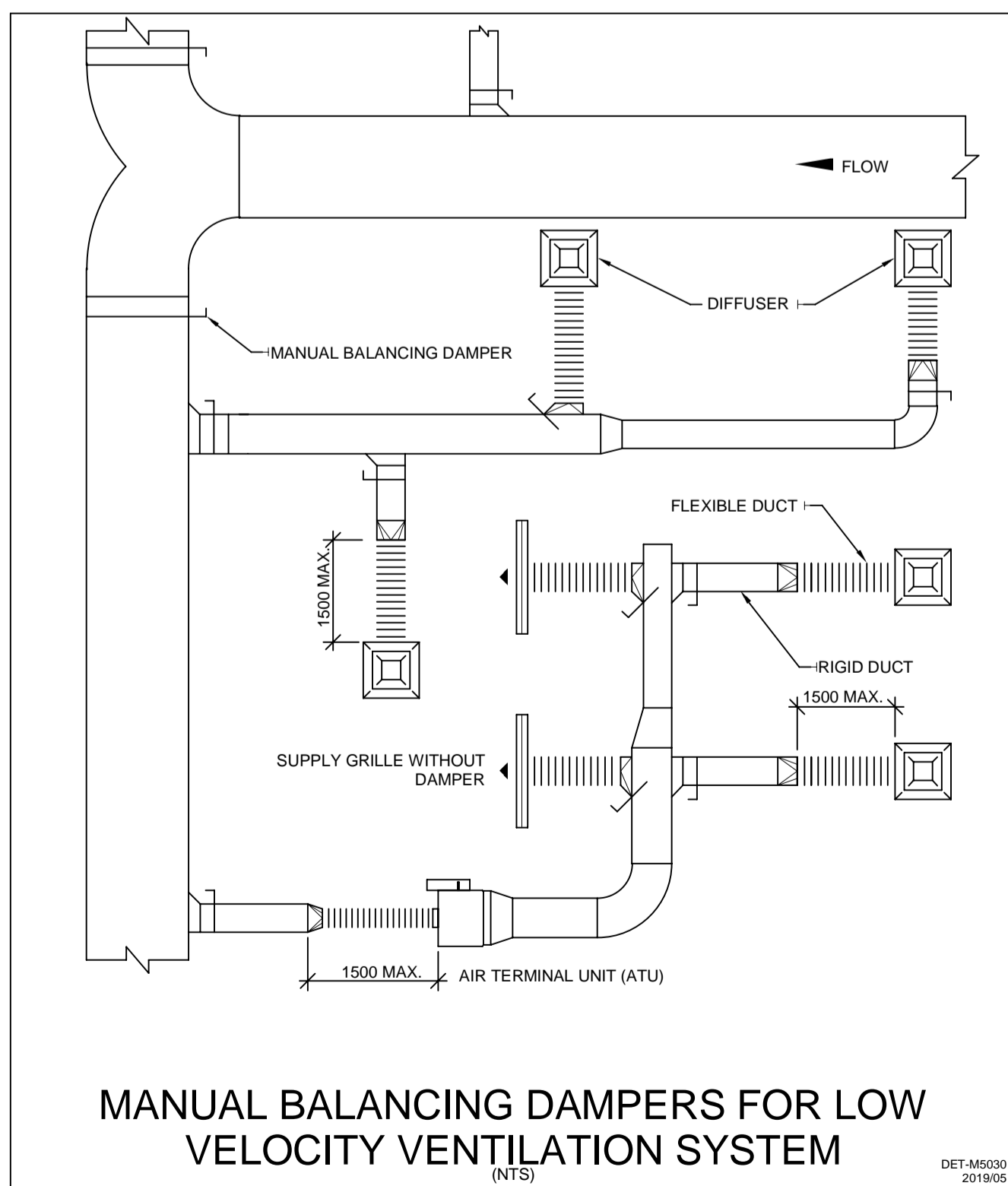


PORTABLE EXTINGUISHER
(NTS)

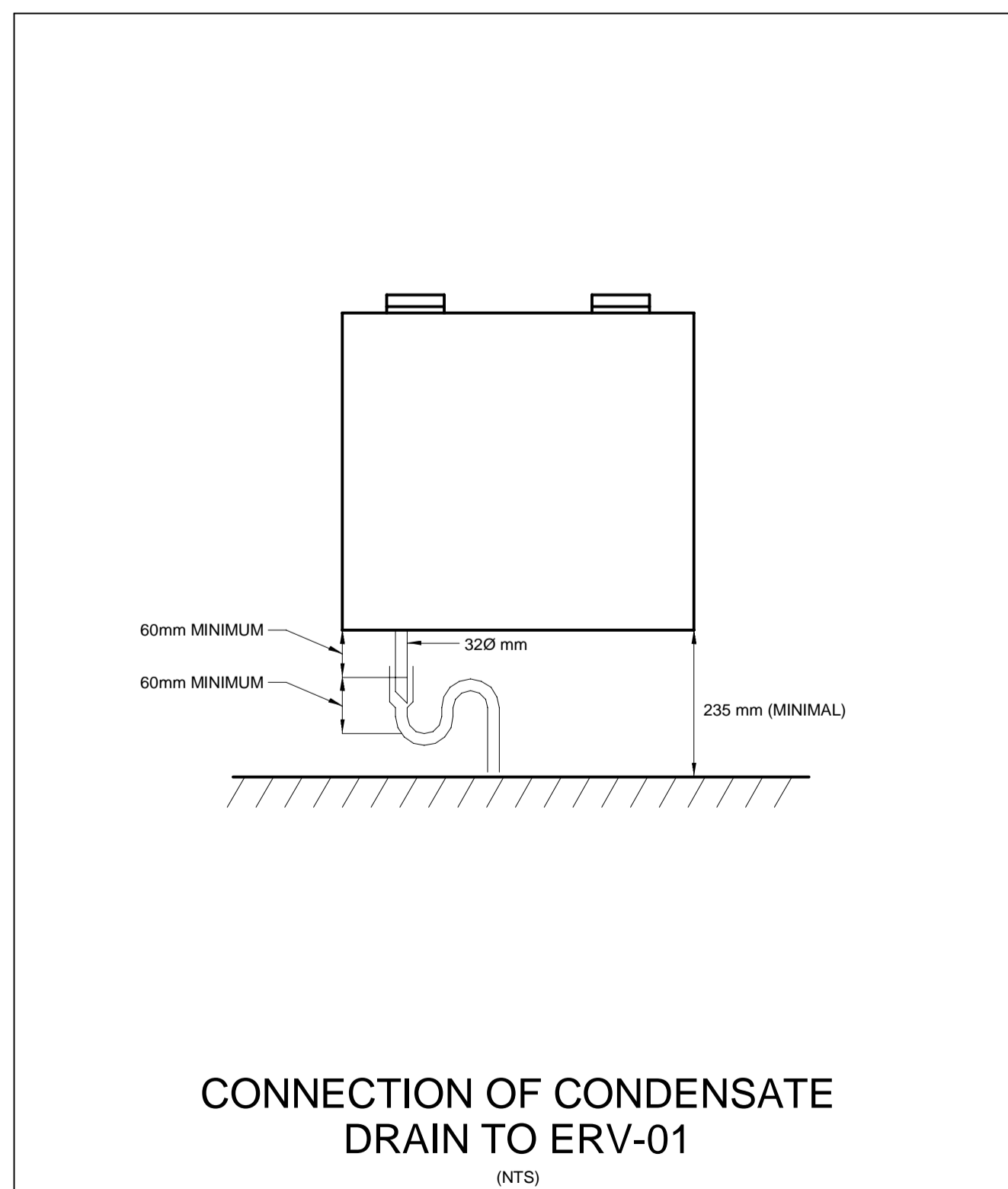
- TYPE "1" PORTABLE EXTINGUISHER - PRESSURIZED WATER
- TYPE "2" PORTABLE EXTINGUISHER CLASS A.B.C. 10 Lbs.
- TYPE "3" PORTABLE EXTINGUISHER CLASS A.B.C. 20 Lbs.
- TYPE "4" PORTABLE EXTINGUISHER - CARBON DIOXIDE
- TYPE "5" PORTABLE EXTINGUISHER - CLEAN AGENT



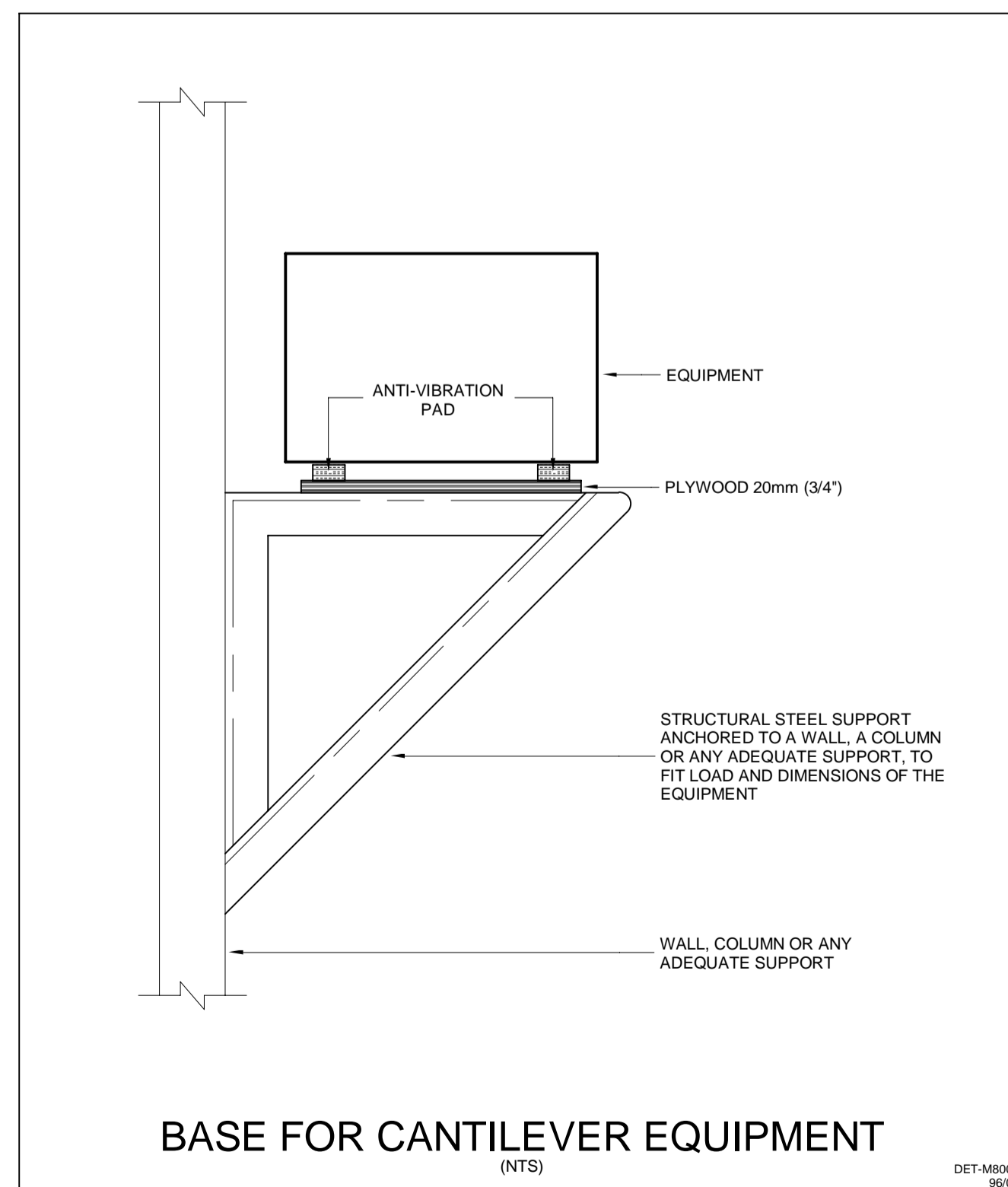
MANUAL BALANCING DAMPERS FOR RETURN OR EXHAUST SYSTEM
(NTS)



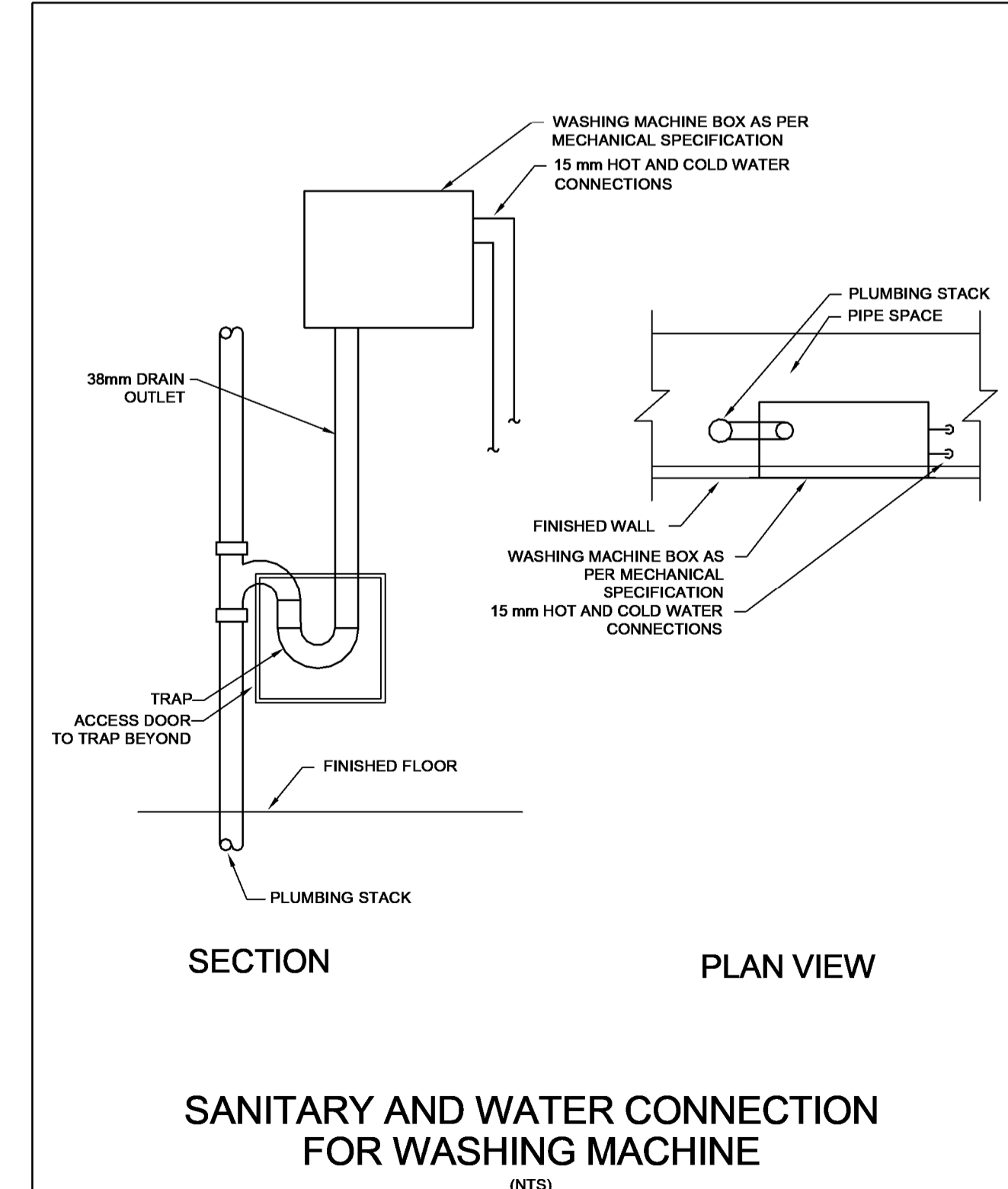
MANUAL BALANCING DAMPERS FOR LOW VELOCITY VENTILATION SYSTEM
(NTS)



CONNECTION OF CONDENSATE DRAIN TO ERV-01
(NTS)



BASE FOR CANTILEVER EQUIPMENT
(NTS)



SANITARY AND WATER CONNECTION FOR WASHING MACHINE
(NTS)