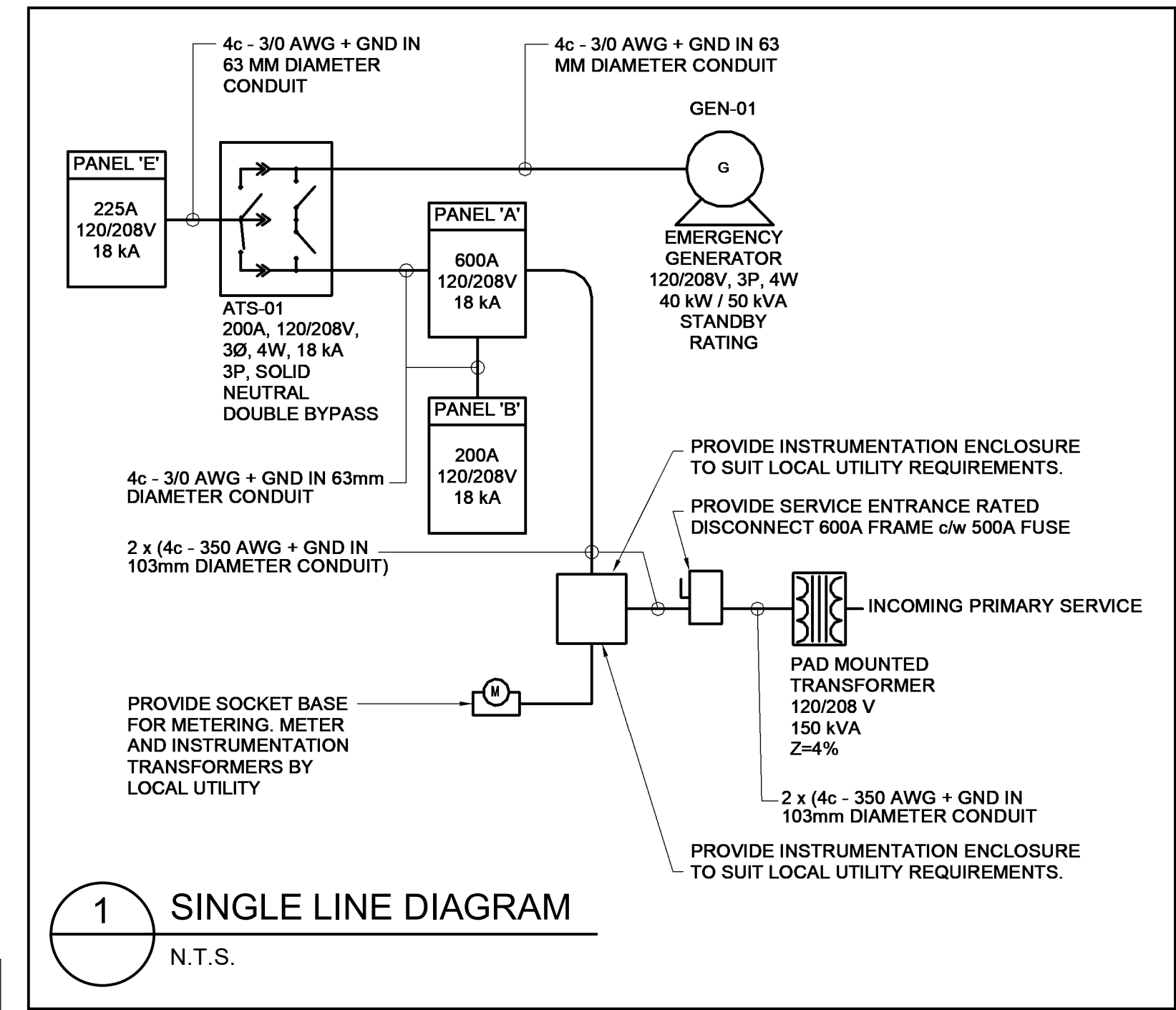


LIGHTING FIXTURE SCHEDULE

Table with columns: TYPE, DESCRIPTION, BASIS OF DESIGN MANUFACTURER, LIGHT SOURCE (TYPE, LUMENS, CRI, CCT), VOLTAGE, WATTAGE, DIMMING, FINISH, MOUNTING, NOTES. Rows include various lighting fixtures like recessed adjustable downlights, hand rail light fixtures, linear luminaires, and adjustable downlights.



1 SINGLE LINE DIAGRAM N.T.S.

Main electrical schedule table with columns: IDENTIFICATION, LOCATION, DESCRIPTION, HP OR KW, FLA, Breaker Ampacity, Voltage and Phase, System, Feeder, Starter (Manual/Magnetic), and Notes. Includes sections for Mechanical Cooling, Heating, and Plumbing.



Revision table with columns: No., DATE, REVISION, BY. Includes entries for 'ISSUED FOR TENDER' and 'ISSUED FOR 100% SUBMISSION'.

Do not scale drawings. Verify all dimensions and conditions on site and immediately notify the Departmental Representative of all discrepancies.

Scale and detail table with columns: A, B, C, Detail No., No. du detail, drawing no., etc.

Project information form including project title (COBourg CITY COBourg SEARCH AND RESCUE STATION), drawing title (ELECTRICAL GENERAL SCHEMATICS AND SCHEDULES), and project date (20-03-2019).