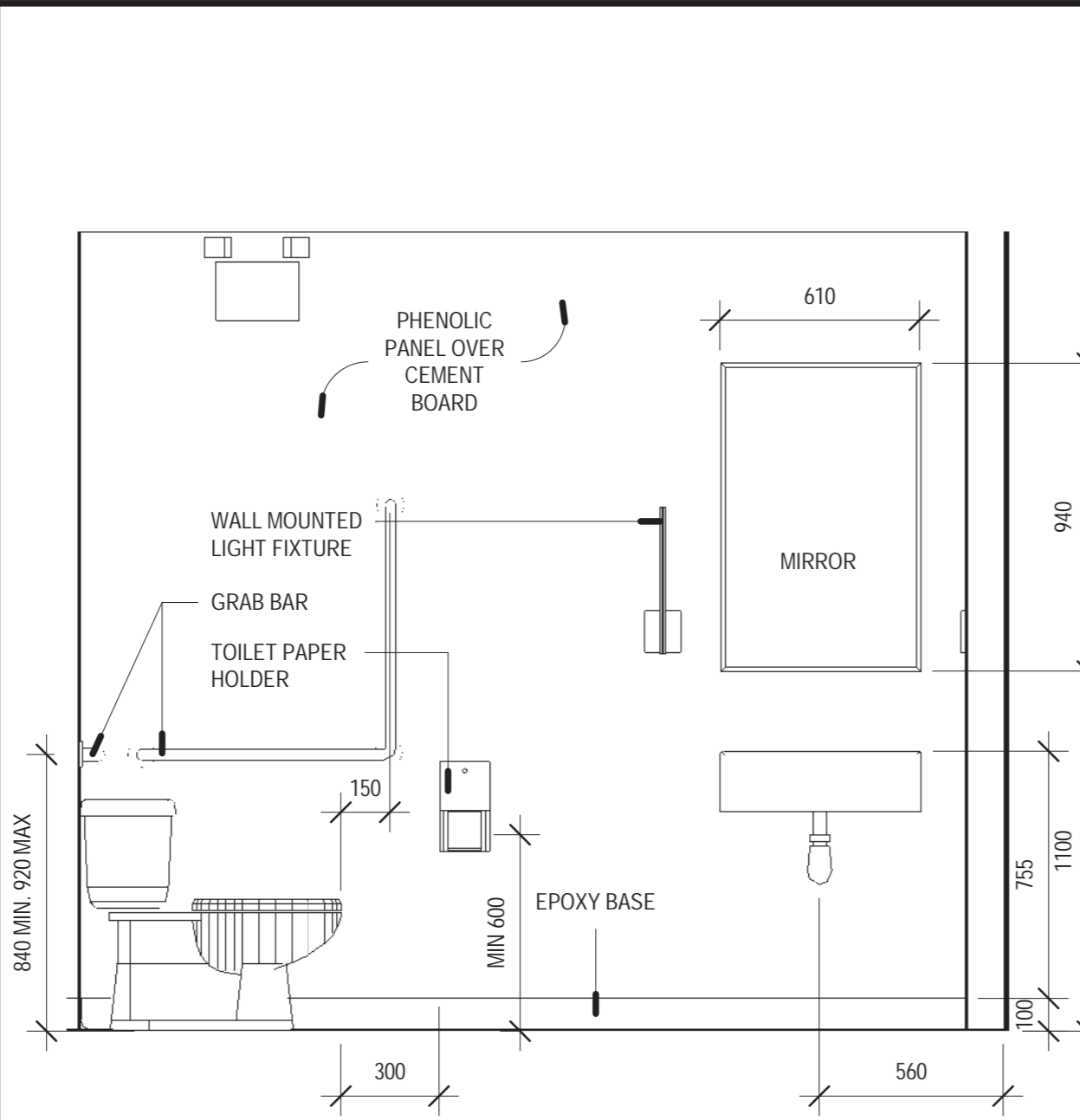
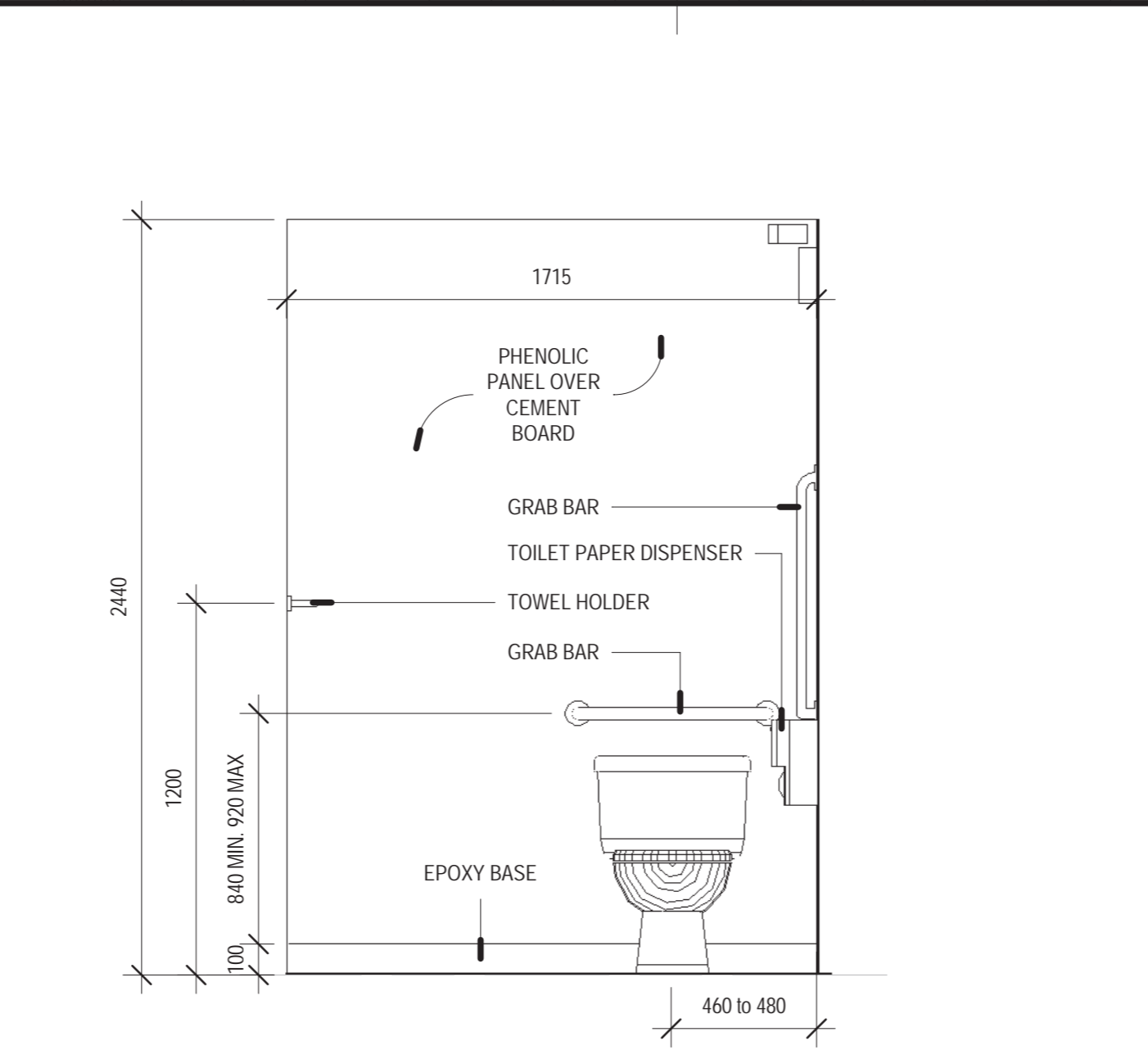


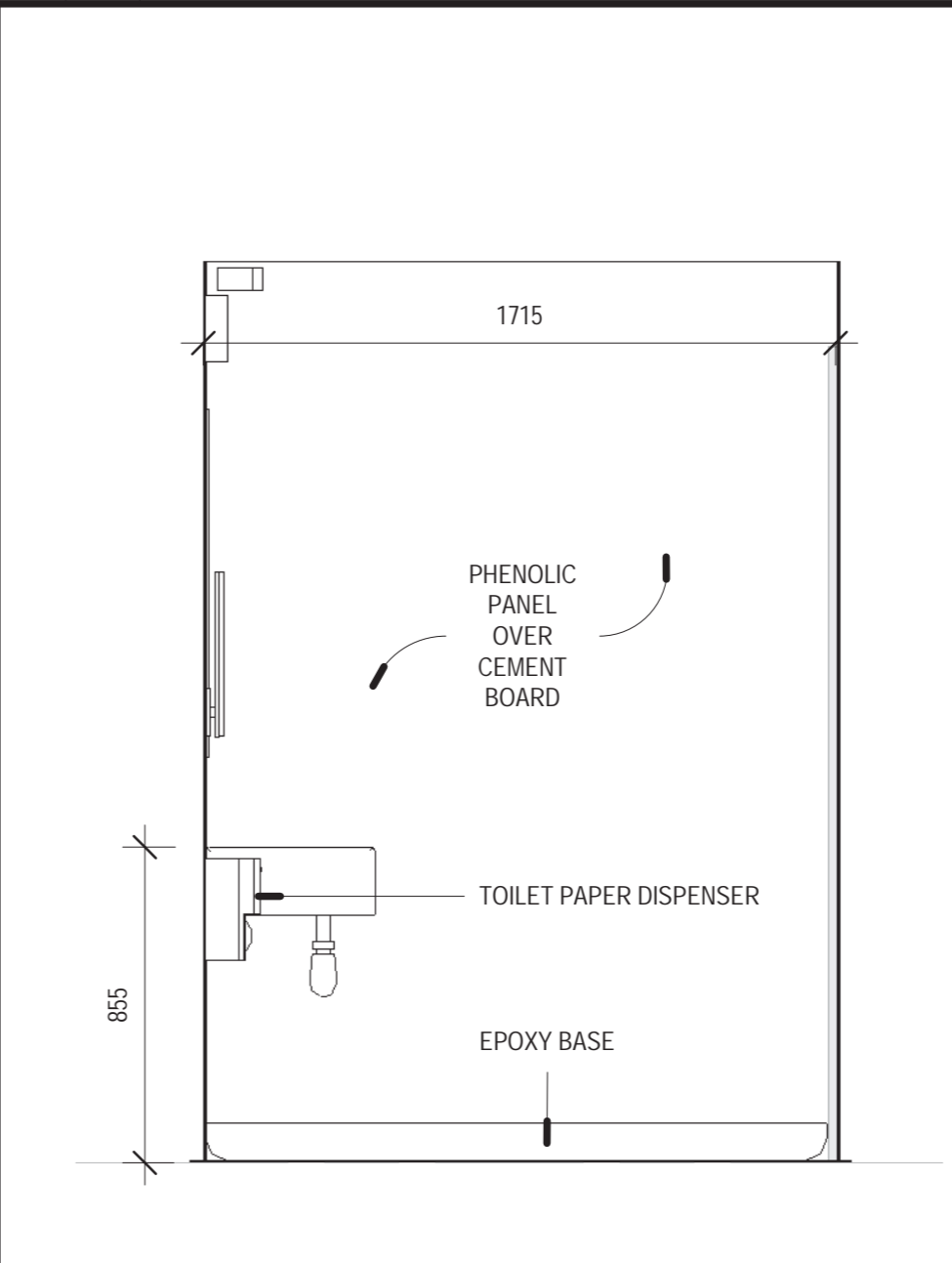
1 WASHROOM 1.07 FLOOR PLAN 1:20



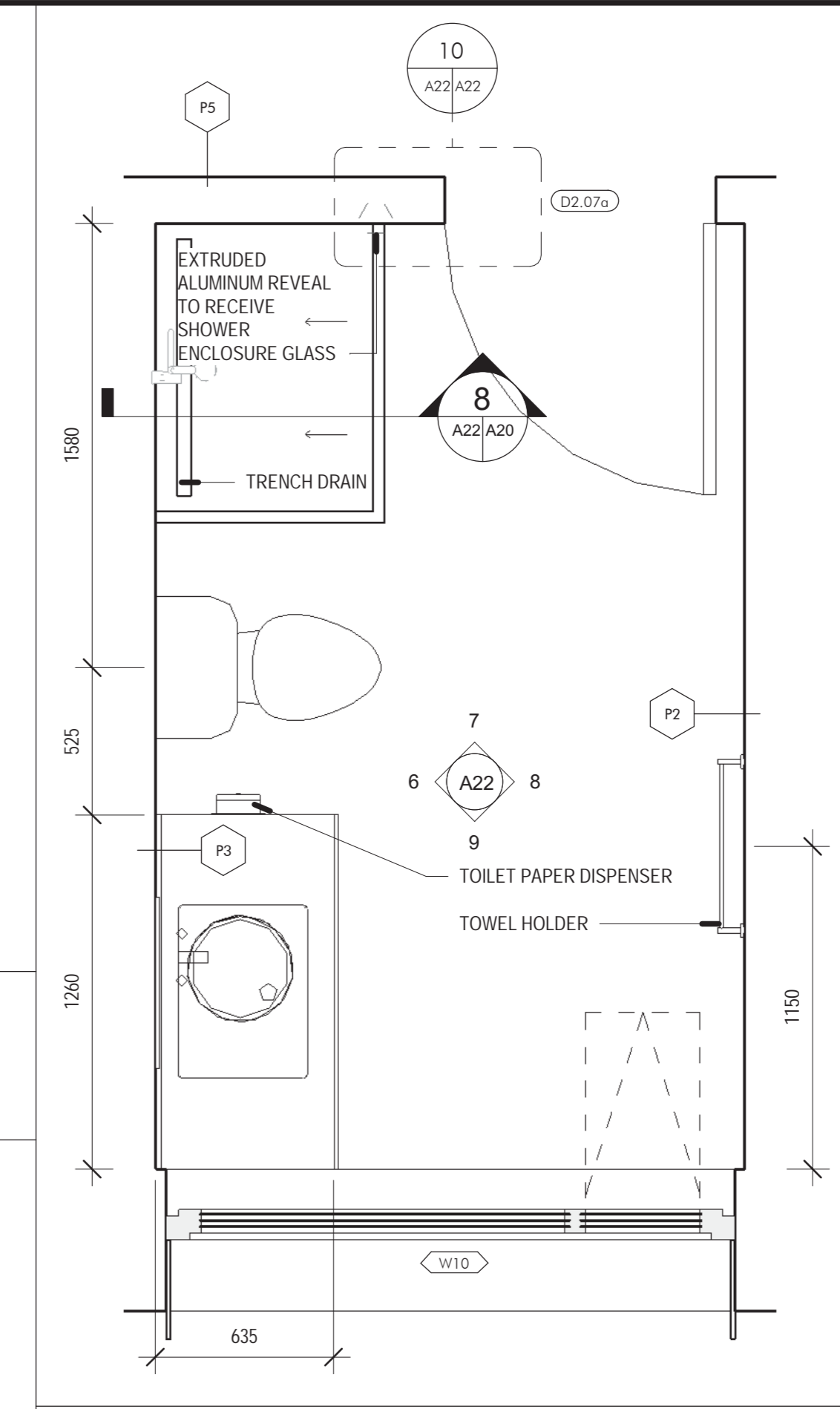
2 WASHROOM 1.07 - ELEV 1 1:20



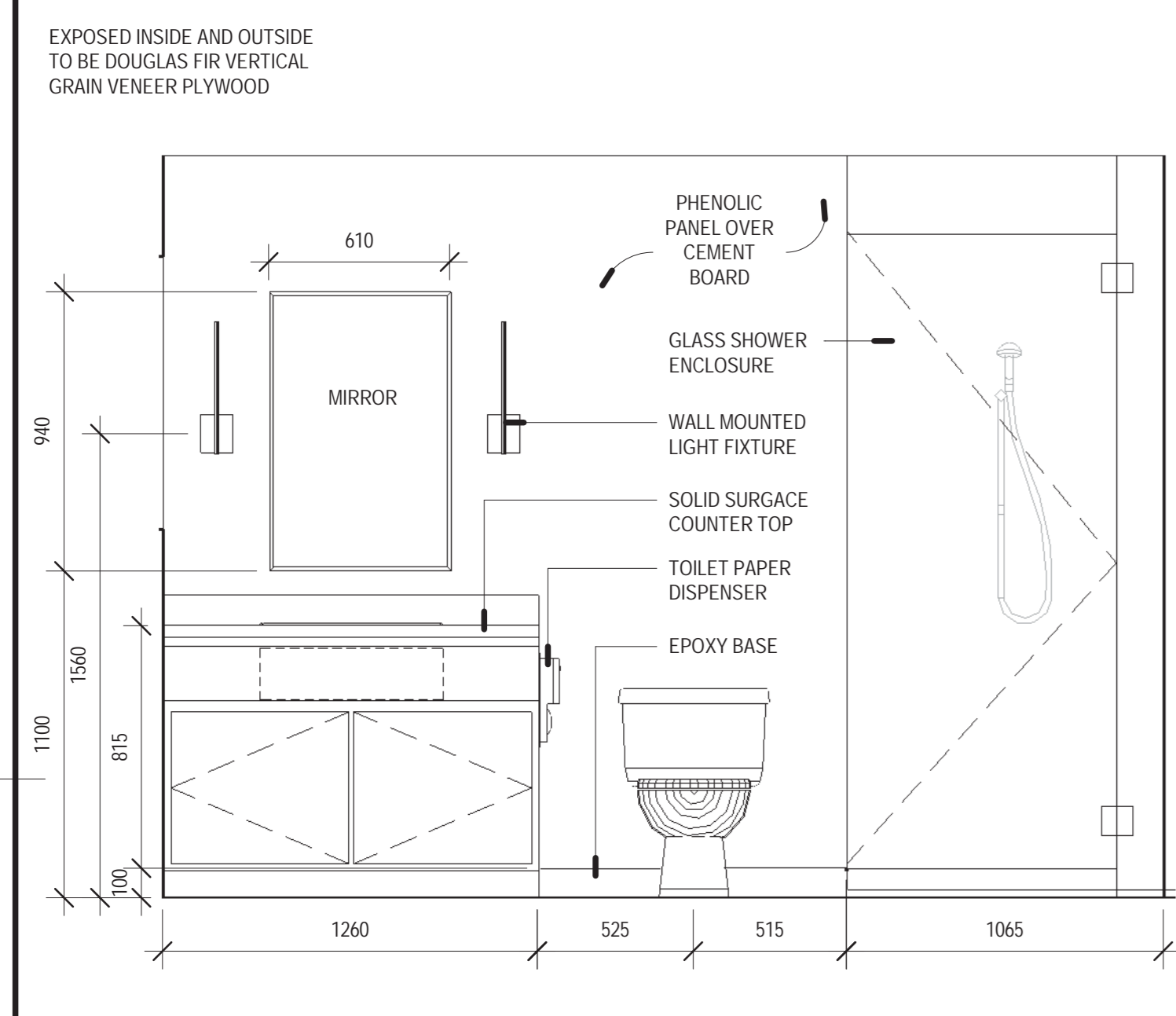
3 WASHROOM 1.07 - ELEV 2 1:20



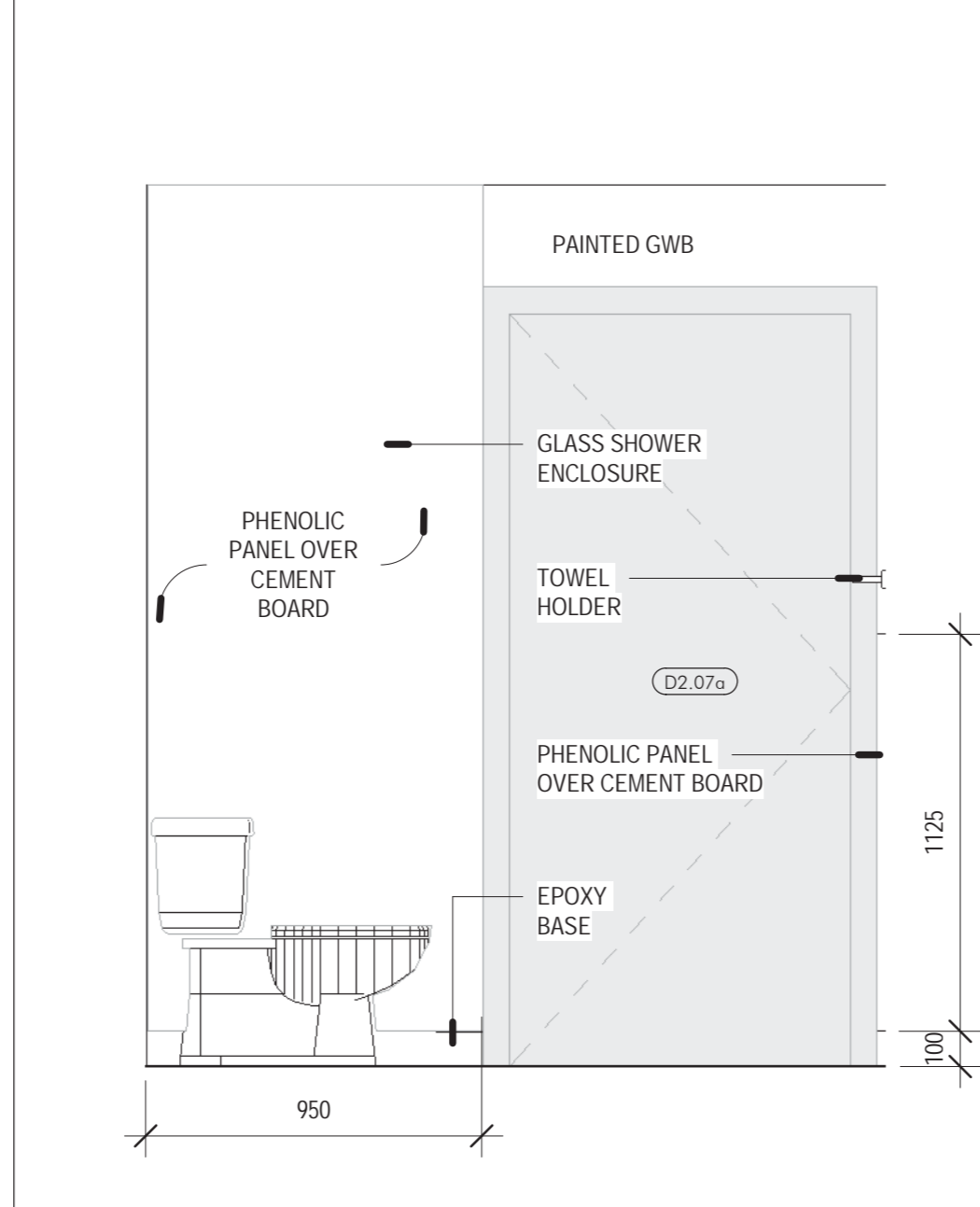
4 WASHROOM 1.07 - ELEV 3 1:20



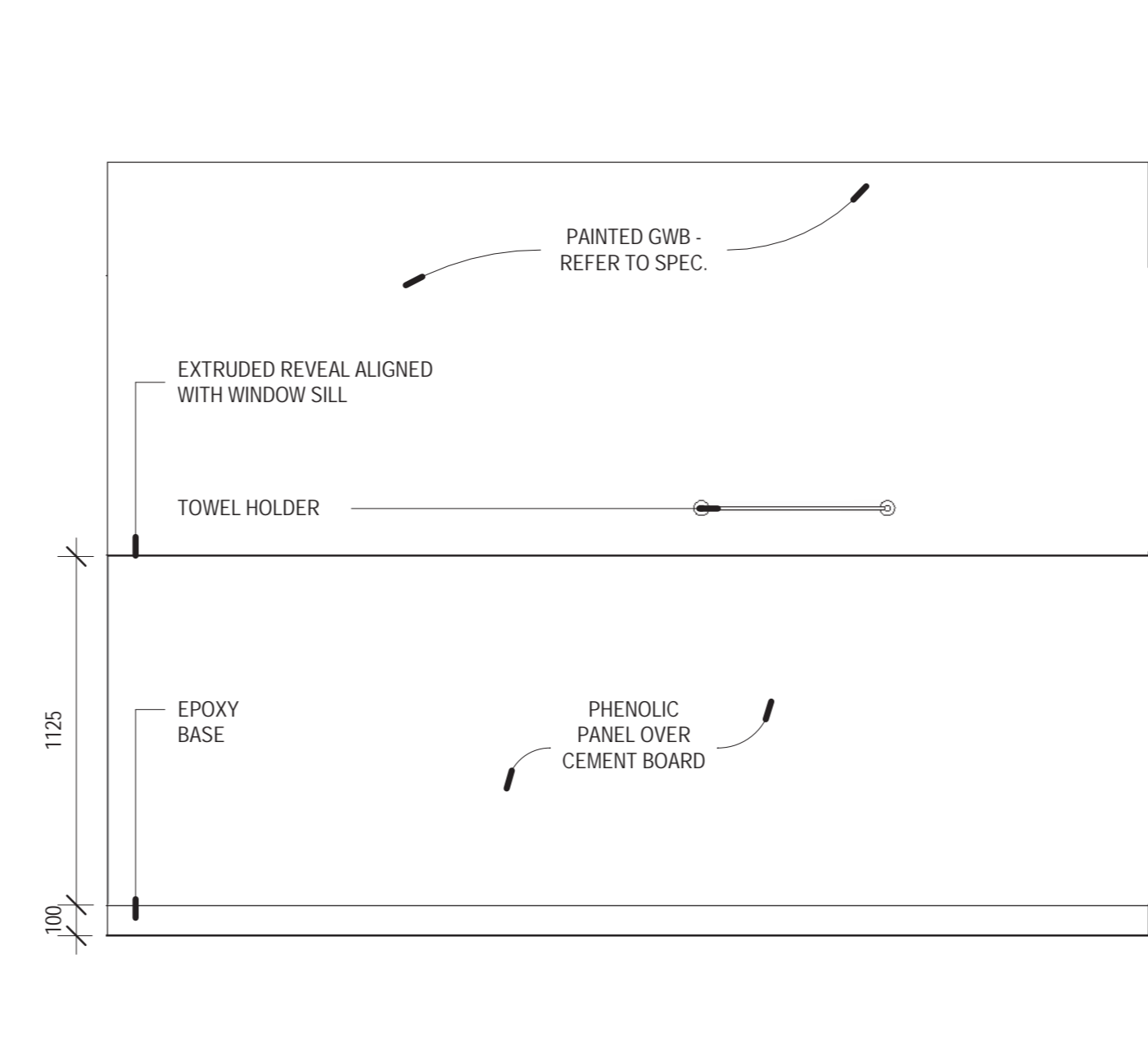
5 WASHROOM 2.07 FLOOR PLAN 1:20



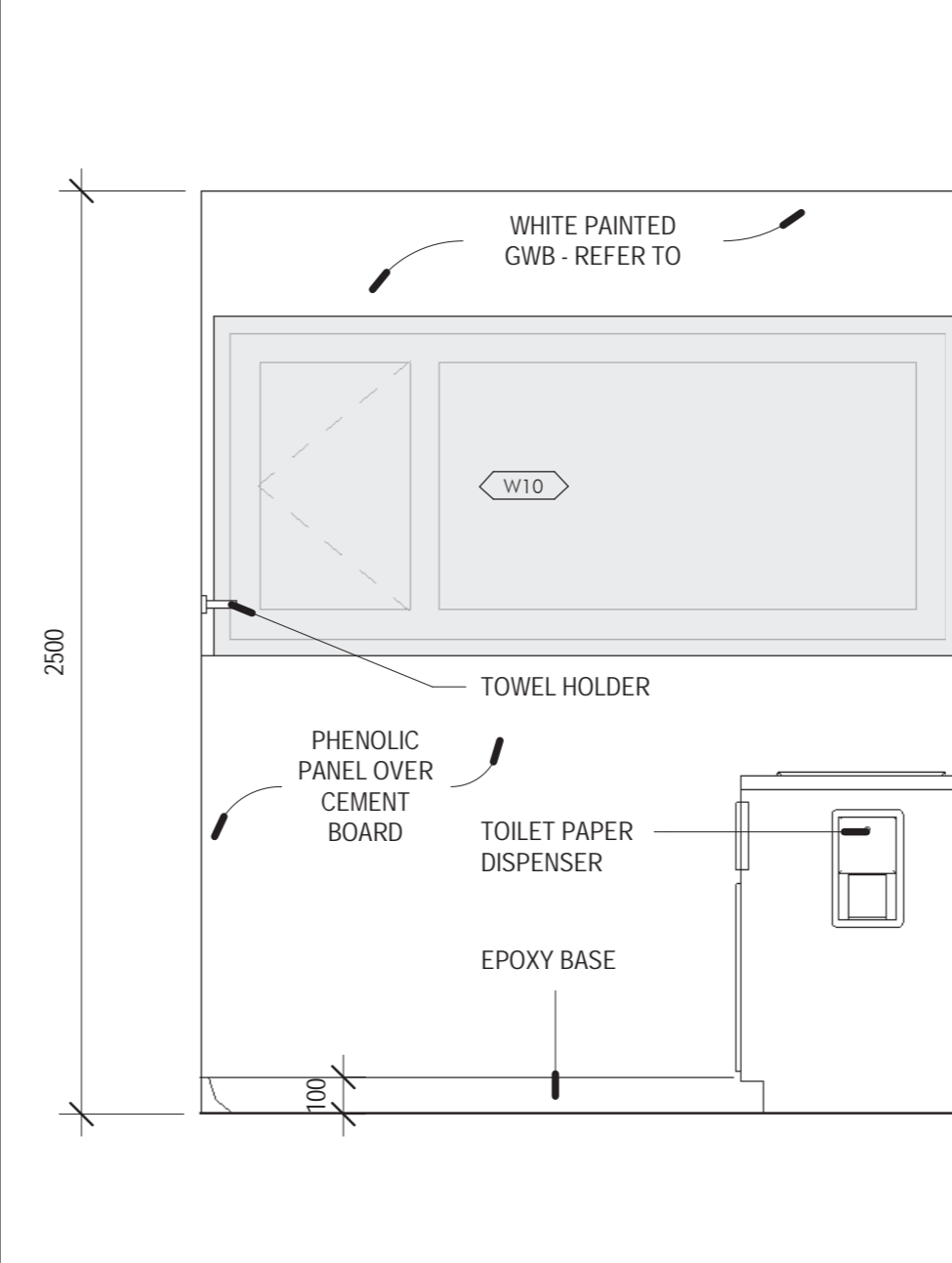
6 WASHROOM 2.07 - ELEV 1 1:20



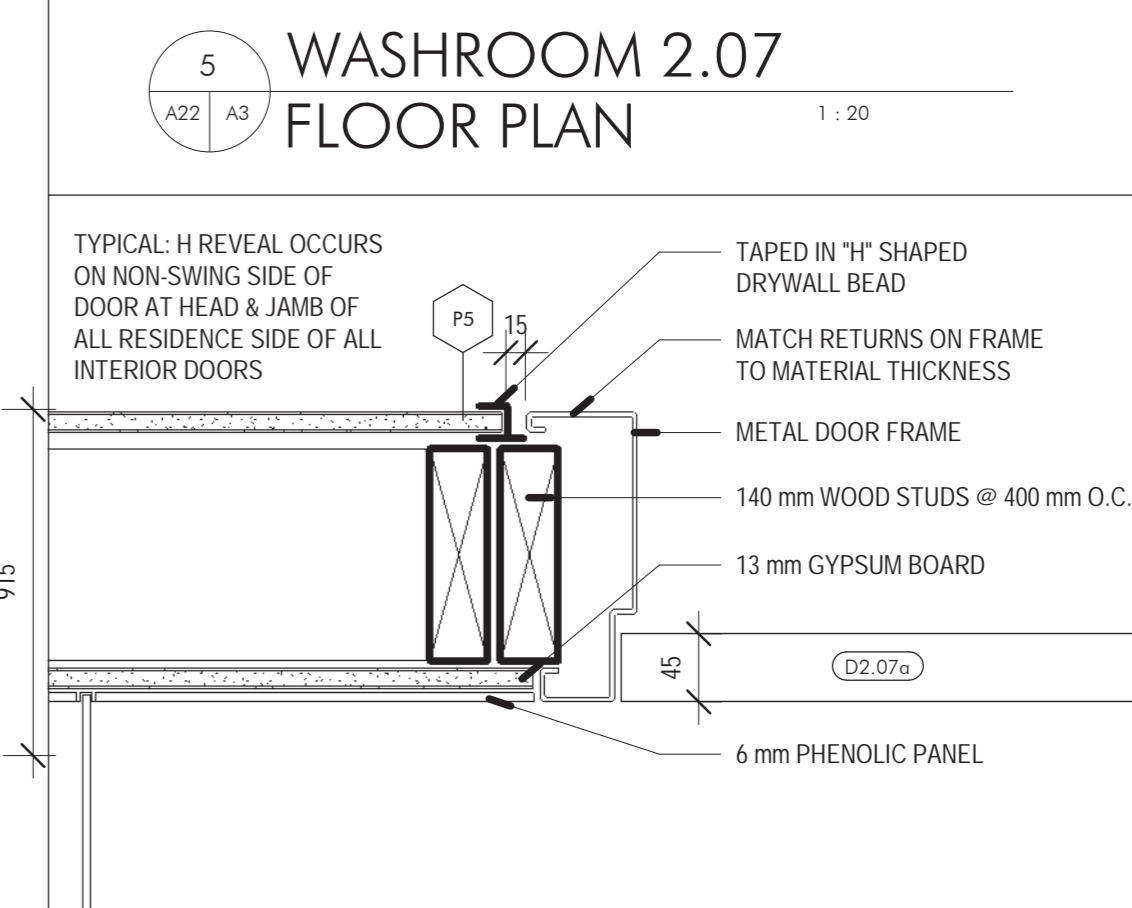
7 WASHROOM 2.07 - ELEV 2 1:20



8 WASHROOM 2.07 - ELEV 3 1:20



9 WASHROOM 2.07 - ELEV 4 1:20



10 INTERIOR DOOR JAMB DETAIL 1:5



5	ISSUED FOR TENDER	17-12-20
4	100% SUBMISSION	07-10-20
3	RE-ISSUED 99% RESUBMISSION	30-06-20
2	99% SUBMISSION	17-03-20
1	66% SUBMISSION	29-03-20

#	Revision Description	Revision Date
---	----------------------	---------------

revision date

Do not scale drawings. Verify all dimensions and conditions on site and immediately notify the Departmental Representative of all discrepancies.

project title  
COBOURG CITY  
COBOURG SEARCH

drawing title  
WASHROOMS, DOORS & WINDOWS ELEVATIONS

drawn by  
KG

designed by  
AT

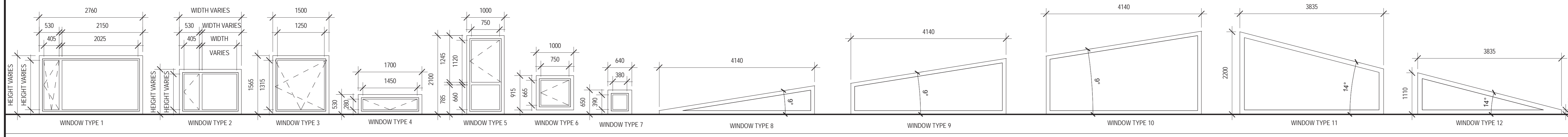
approved by

bid office  
DFO PROJECT MANAGER

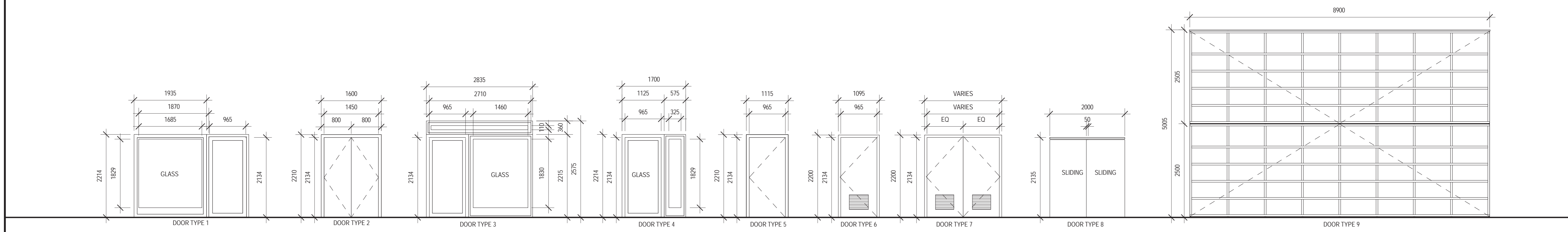
project date  
2020-12-17

project no.  
R.084112.005

drawing no.  
A22



11 WINDOW LEGEND 1:50



12 DOOR AND FRAME LEGEND 1:50