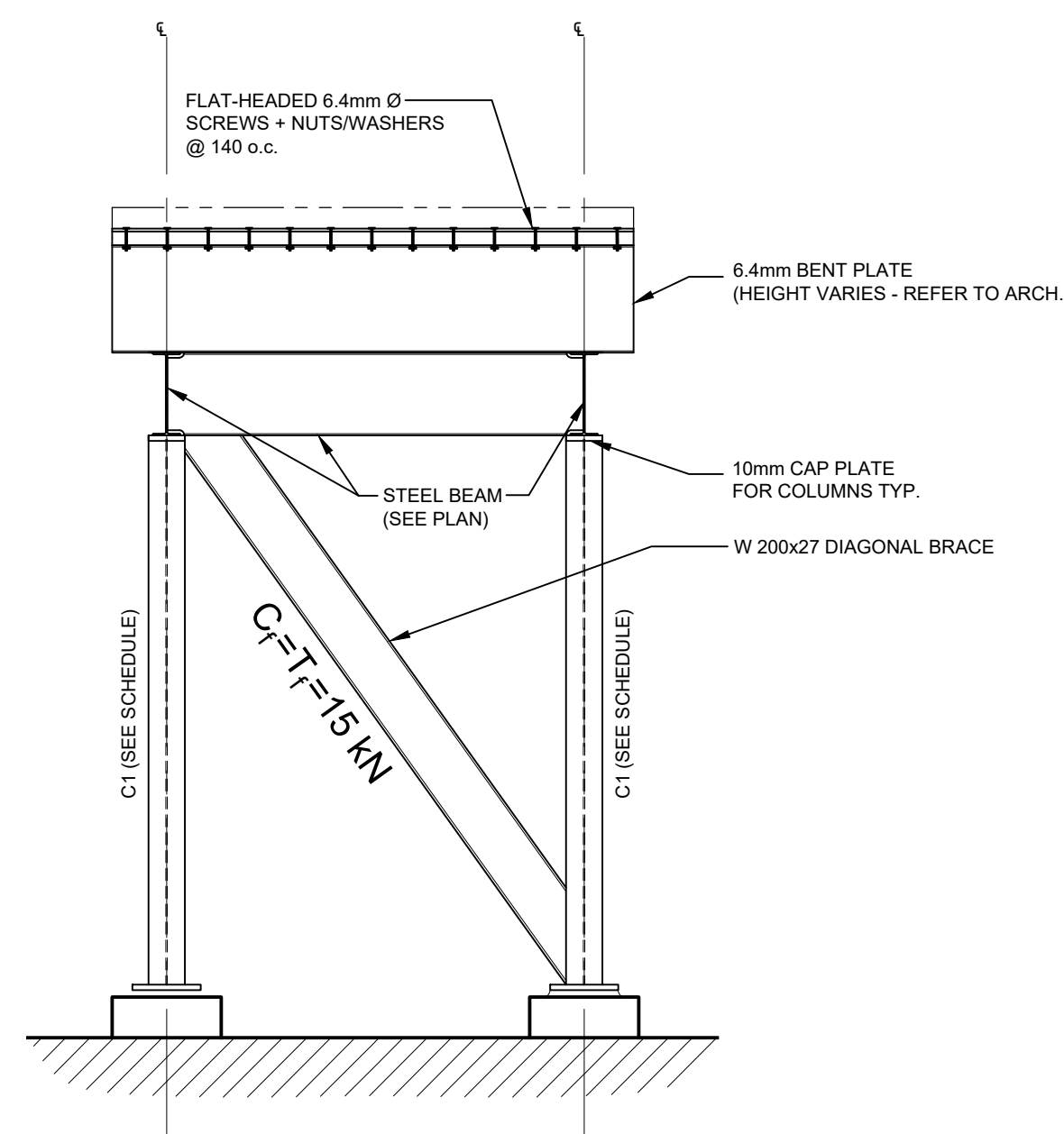
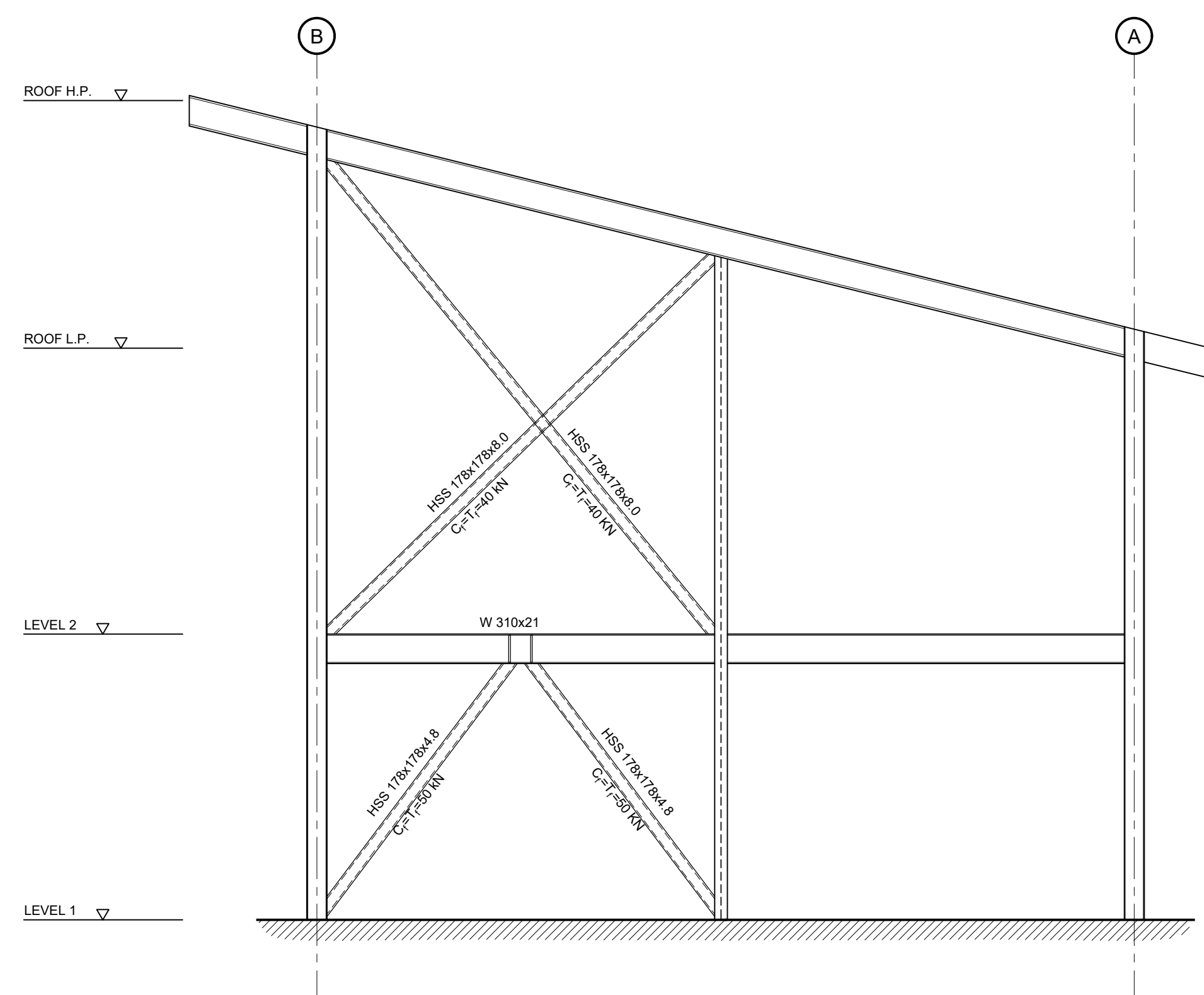


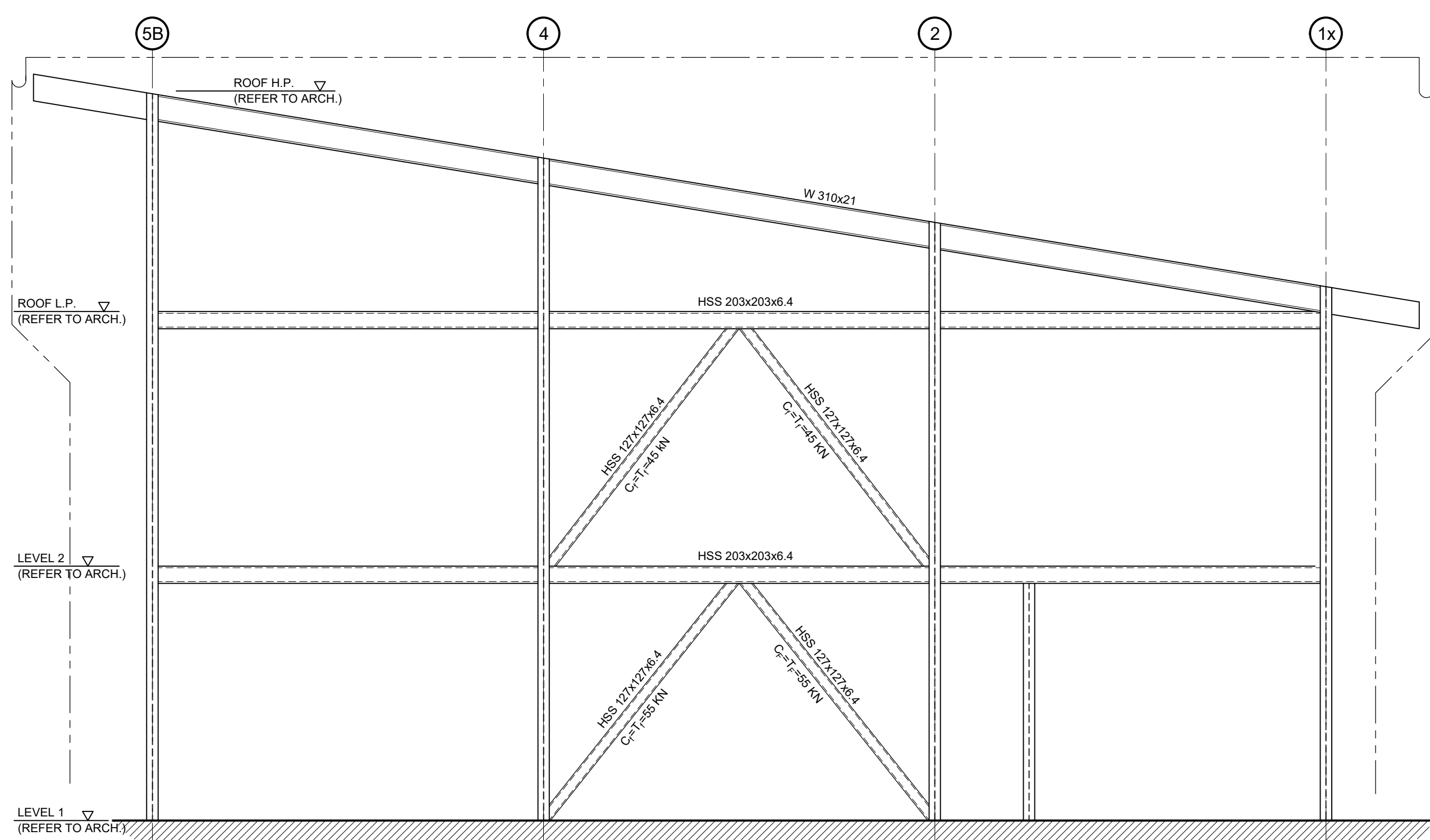
1 WEST ELEVATION: CANOPY - AESS  
S201 1:25



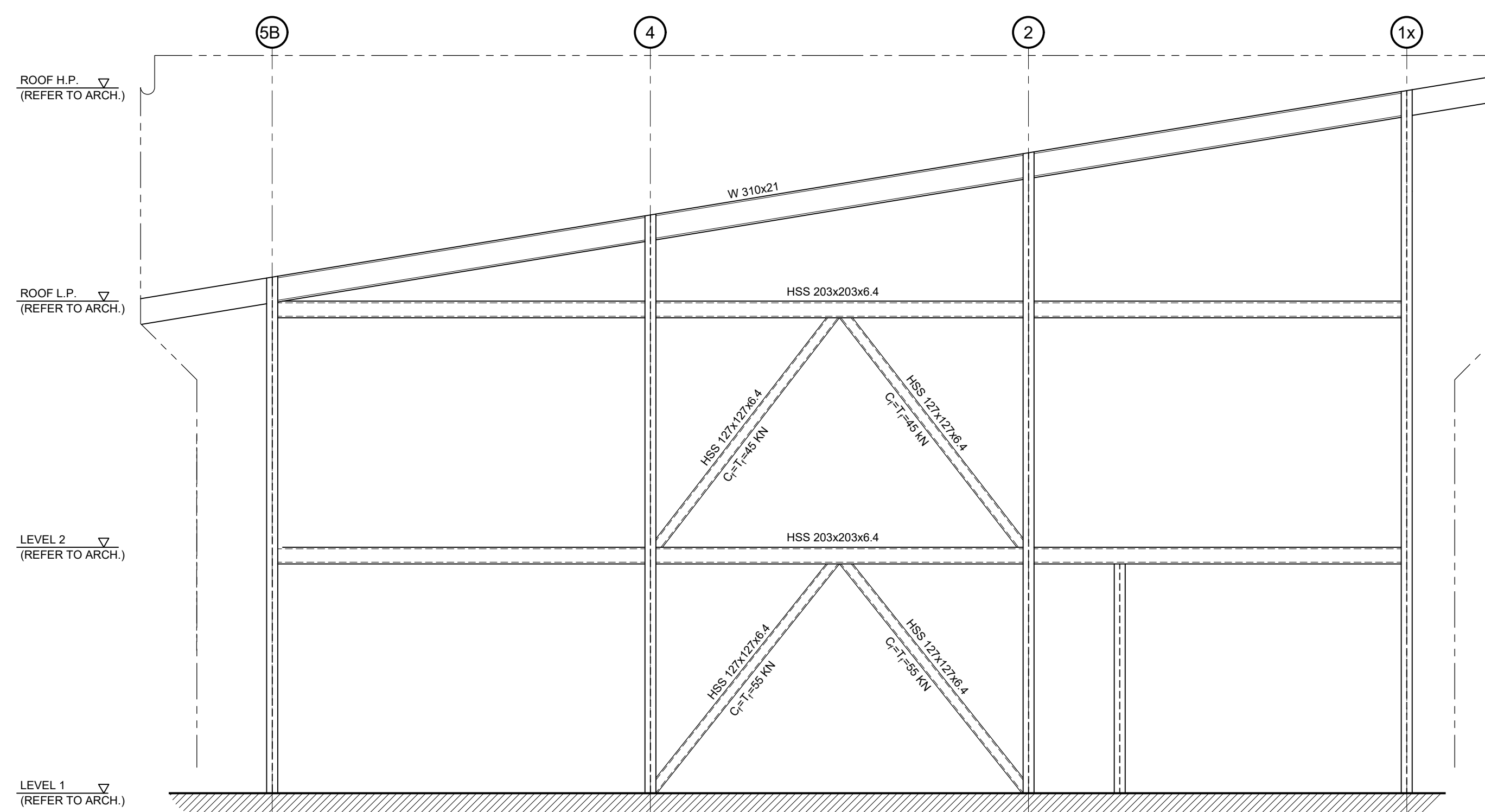
2 NORTH4: ELEVATION: CANOPY - AESS  
S201 1:25



EAST FRAME ELEVATION: BF3 ALONG GRID 1x - AESS  
SCALE: 1:50



NORTH ELEVATION: BF1 ALONG GRID A - AESS  
SCALE: 1:50



SOUTH ELEVATION: BF2 ALONG GRID B - AESS  
SCALE: 1:50

revision	date
05	ISSUED FOR TENDER 17 DEC 2020
04	ISSUED FOR 100% COORDINATION 07 OCT 2020
03	RE-ISSUED FOR 99% COORDINATION 30 JUNE 2020
02	ISSUED FOR 99% COORDINATION 30 January 2020
01	ISSUED FOR 66% COORDINATION 28 March 2019

Do not scale drawings. Verify all dimensions and conditions on site and immediately notify the Departmental Representative of all discrepancies.

Detail No.	No. du détail
A	drawing no. - where detail required
B	dessin no. - ou détail exigé
C	drawing no. - where detailed
	dessin no. - ou détaillé

project title  
titre du projet  
**COBOURG** ON

**COBOURG CITY**

**COBOURG SEARCH AND RESCUE STATION**

drawing title  
titre du dessin  
**BRACE FRAME ELEVATIONS**

drawn by  
dessiné par  
WL

designed by  
conçu par  
JV

approved by  
approuvé par  
JV

bid  
offre  
DFO PROJECT MANAGER

project manager  
administrateur de projets

project date  
date du projet  
05-03-2019

project no.  
no. du projet  
R.084112.005

drawing no.  
dessiné no.  
S201