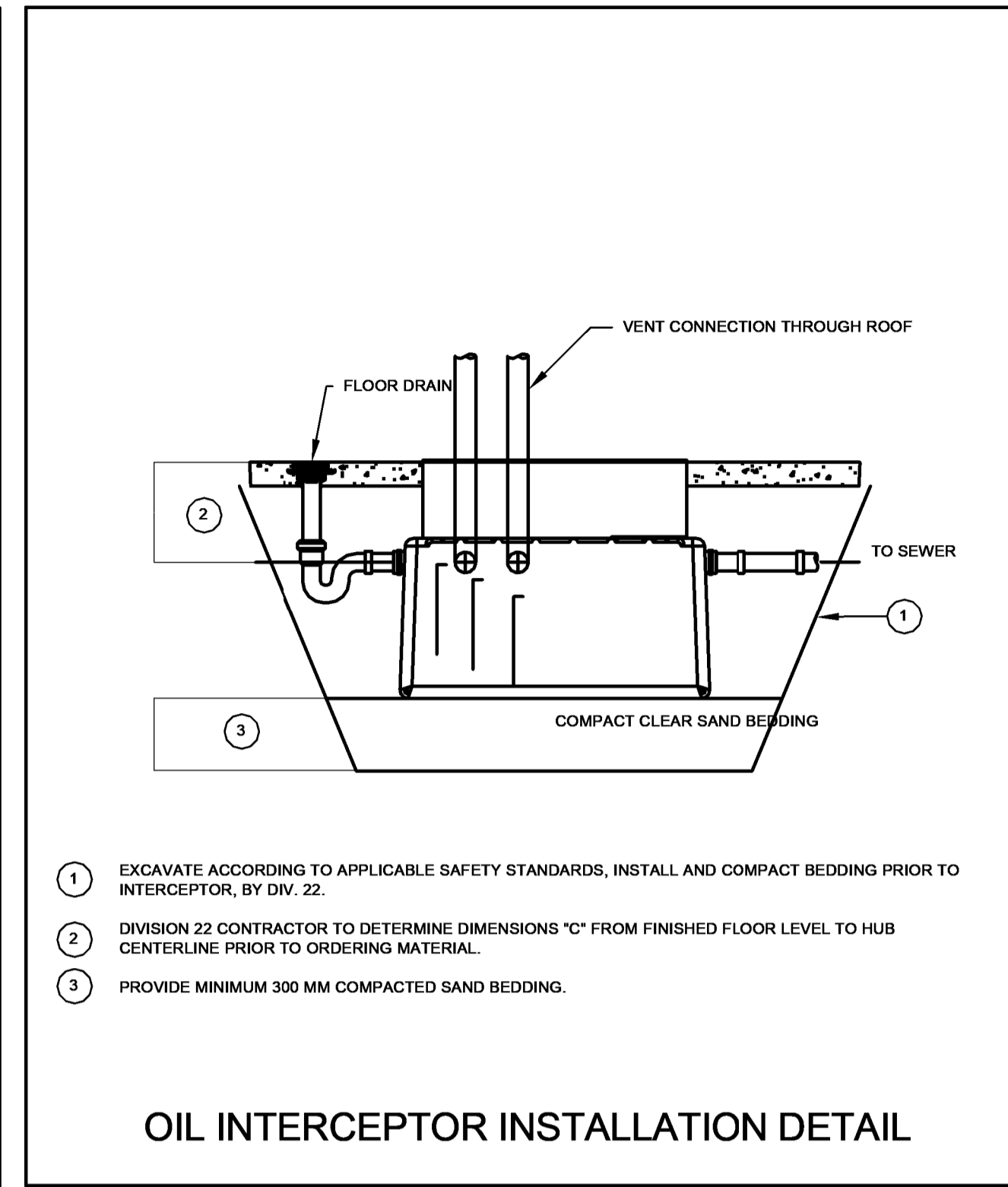


**CONNECTION OF A WATER HEATER
INSTALLED IN CEILING SPACE
(NTS)**



OIL INTERCEPTOR INSTALLATION DETAIL

PLUMBING FIXTURE SCHEDULE

REF. NO	TYPE	MOUNTING	MATERIAL	TRIM			CONNECTIONS			NOTES
				CONTROL	HANDLES	CENTERS	DCW	DHW	SANITARY	
EW-1	EYE WASH STATION	DECKMOUNT	STAINLESS STEEL	THERMOSTATIC			12 mm	12 mm	30 mm	
L-01	LAVATORY	UNDERMOUNT	VITREOUS CHINA	THERMOSTATIC	SINGLE	102 mm	12 mm	12 mm	30 mm	
S-01	DOUBLE BOWL KITCHENETTE SINK	UNDERMOUNT	STAINLESS STEEL	THERMOSTATIC	SINGLE	102 mm	12 mm	12 mm	40 mm	
S-02	SINGLE BOWL KITCHENETTE SINK	UNDERMOUNT	STAINLESS STEEL	THERMOSTATIC	SINGLE	102 mm	12 mm	12 mm	40 mm	
S-03	DOUBLE BOWL LAUNDRY SINK	FREE STANDING	STAINLESS STEEL	THERMOSTATIC	TWO	102 mm	12 mm	12 mm	40 mm	
S-04	SINGLE BOWL LAUNDRY SINK	FREE STANDING	STAINLESS STEEL	THERMOSTATIC	TWO	102 mm	12 mm	12 mm	40 mm	
MS-01	MOP SINK	FLOOR	MOLDED STONE	THERMOSTATIC	TWO	CENTRE	12 mm	12 mm	80 mm	
SH-01	SHOWER			THERMOSTATIC	SINGLE	N/A	12 mm	12 mm	50 mm	
WC-01	WATER CLOSET	WALL	VITREOUS CHINA	MANUAL	N/A	N/A	20 mm	N/A	80 mm	

EXPANSION TANK SCHEDULE

REF. No.	TYPE	APPLICATION	FLUID MEDIUM	CAPACITY				PRESSURE		OPERATING WEIGHT (kg)	NOTES
				MAX. (L)	ACCEPTANCE (L)	DIAMETER (mm)	HEIGHT (mm)	INITIAL PRESSURE ADJUSTMENT (kPa)	MAXIMUM OPERATING PRESSURE (kPa)		
EXP-01	THERMAL	DOMESTIC HEATING	WATER	8	3.6	203	356	38	690	5	
EXP-02	THERMAL	DOMESTIC HEATING	WATER	8	3.6	203	356	38	690	5	

INTERCEPTOR SCHEDULE

REF. No.	TYPE	LOCATION	DIMENSIONS(mm) (L x W x H)	DESIGN FLOW RATE (LPM)	PIPE CONNECTIONS		NOTES
					INLET (MM)	OUTLET (MM)	
OI-1	OIL	WORKSHOP	575X356X346	38	51	51	

WATER HEATER SCHEDULE

REF. No.	TYPE	LOCATION	CAPACITY		CONNECTION SIZES		ELECTRICAL		DIMENSIONS		NOTES
			RECOVERY RATE (L/hr @ 56C RISE)	TANK (L)	DCW (mm)	DHW (mm)	WATTS	VOLTAGE/PHASE	HEIGHT (mm)	DIAMETER (mm)	
HWT-01	ELECTRIC	UTILITY ROOM	227	182	20 mm	20 mm	4.5	208/3/60	1240	560	TOP ENTRY STYLE, FLOOR MOUNTED
HWT-02		UTILITY ROOM	227	182	20 mm	20 mm	4.5	208/3/60	1240	560	TOP ENTRY STYLE, FLOOR MOUNTED
HWT-03		WORKSHOP	76	108	20 mm	20 mm	4.5	208/3/60	790	560	TOP ENTRY STYLE, SUSPENDED FROM WALL

FAN SCHEDULE

REF. NO	FAN TYPE	LOCATION	AREA SERVED	FAN CHARACTERISTICS			ELECTRICAL		NOTES
				AIR FLOW (L/S)	E.S.P. (Pa)	RPM	FAN WATTS	VOLTAGE/P HASE	
EF-01	UPBLAST	WORKSHOP	WORKSHOP	471	113	-	187	120/60	
RH-01	RANGEHOOD	KITCHEN	KITCHEN	212	100	-	325	120/60	
F-01	CEILING	WORKSHOP	WORKSHOP	-	-	325	62	120/60	
F-02	CEILING	WORKSHOP	WORKSHOP	-	-	325	62	120/60	
F-03	CEILING	GYM	GYM	-	-	177	15.6	120/60	

ENERGY RECOVERY VENTILATOR

REF. NO	LOCATION	AREA SERVED	EXHAUST (L/S)	ESP (Pa)	OUTDOOR AIR (L/S)	ESP (Pa)	EFFICIENCY	ELECTRICAL		NOTES
								VOLTAGE/PHASE	FLA	
ERV-01	UTILITY	RESIDENCE	165	115	165	115	95%	208/1/60	12.7	

A	2020-12-17	ISSUED FOR TENDER	M.W.
No.	DATE	REVISION	BY

Do not scale drawings. Verify all dimensions and conditions on site and immediately notify the Departmental Representative of all discrepancies.

A	Detail No.
B	No. du détail
C	drawing no. - where detail required
	dessin no. - ou détail exigé
	drawing no. - where detailed
	dessin no. - ou détaillé

project title
titre du projet

COBOURG CITY

COBOURG SEARCH AND RESCUE STATION

drawing title
titre du dessin
GENERAL MECHANICAL DETAILS & SCHEDULE

drawn by
dessiné par
H. EL-SABEH

designed by
conçue par
H. EL-SABEH

approved by
approuvé par
M. WALLACE

bid office
project manager
administrateur de projets

project date
date du projet
2020-06-30

project no.
no. du projet
R.084112.005

drawing no.
dessiné no.
M002