

PHOTO KT-A3 EXISTING OUTER PERIMETER FENCE

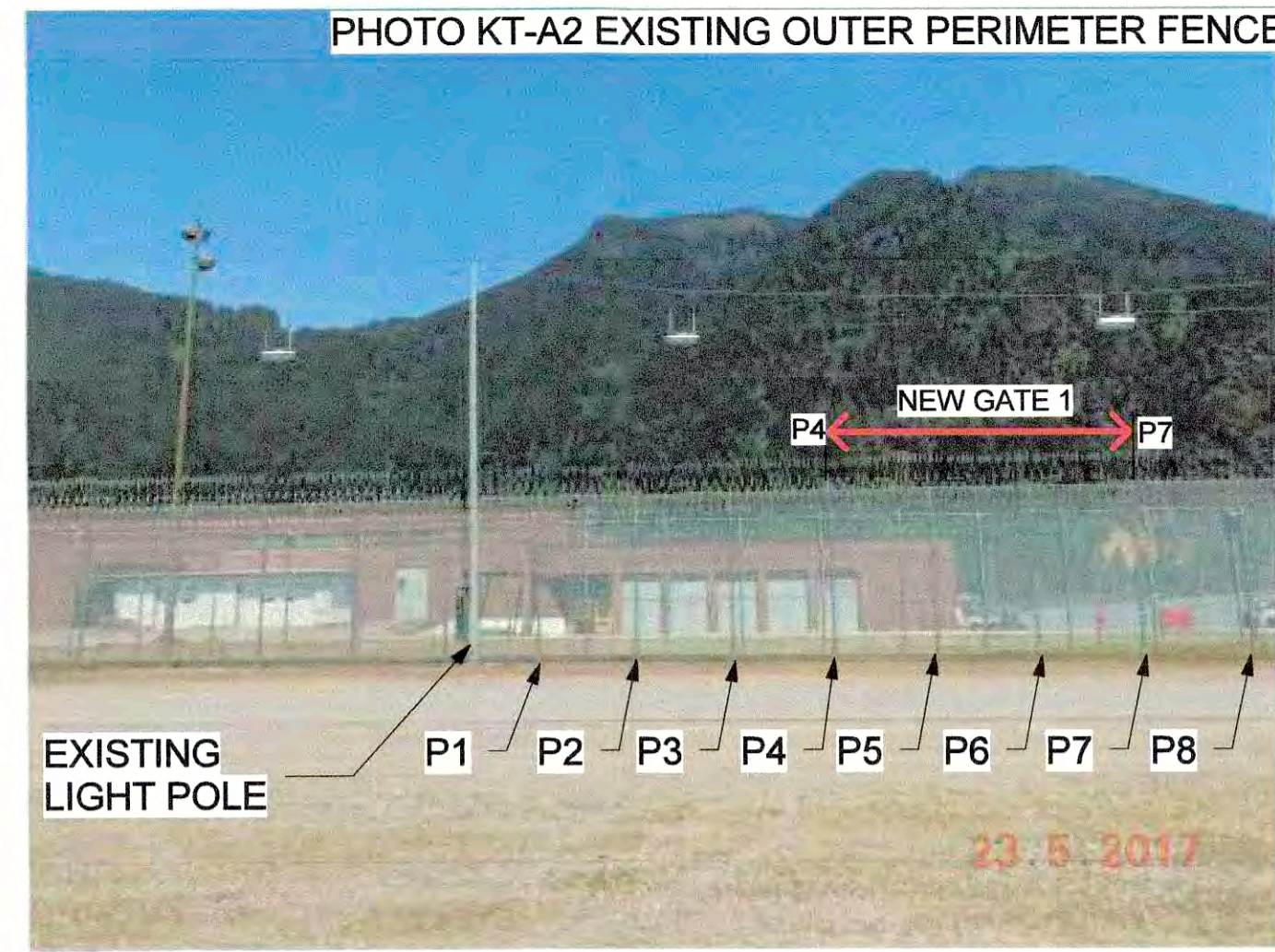


PHOTO KT-A2 EXISTING OUTER PERIMETER FENCE



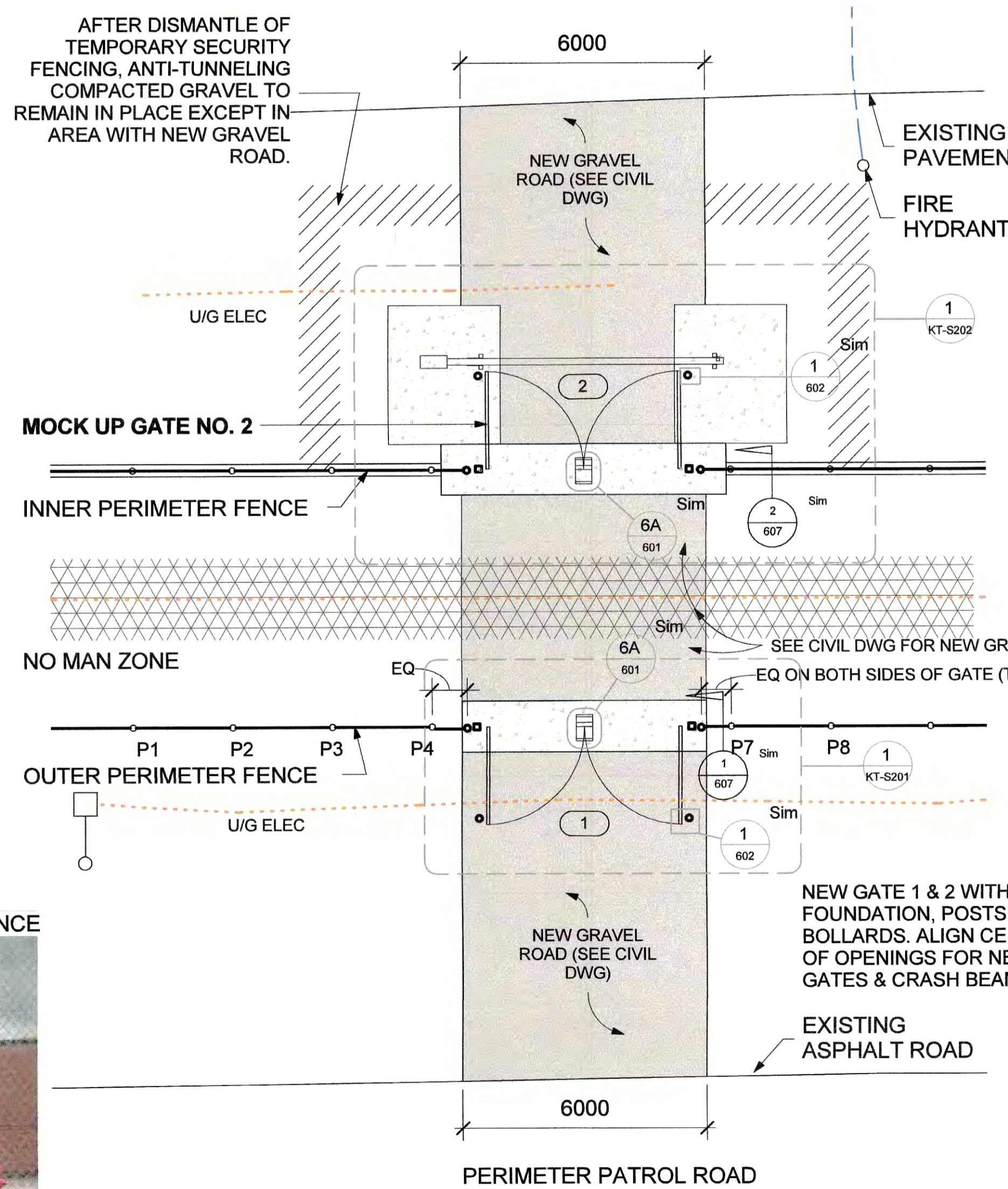
PHOTO KT-A1 EXISTING OUTER PERIMETER FENCE

NOTES

- REFER TO CIVIL DRAWINGS FOR:
 - LOCATION OF UNDERGROUND UTILITIES. VERIFY LOCATIONS ON SITE.
 - NEW CONCRETE FOUNDATION ELEVATIONS
 - NEW ROAD WORK & TOPOGRAPHY
- VERIFY ALL EXISTING POSTS LOCATION ON SITE. MAXIMUM DISTANCE BETWEEN CENTRE OF ALL NEW POSTS IS 2400MM. REFER TO SPECIFICATION.
- SEE DRAWINGS 605 TO 608 FOR TYPICAL TEMPORARY INNER AND OUTER SECURITY FENCING PLANS, ELEVATIONS AND SECTIONS

LEGEND

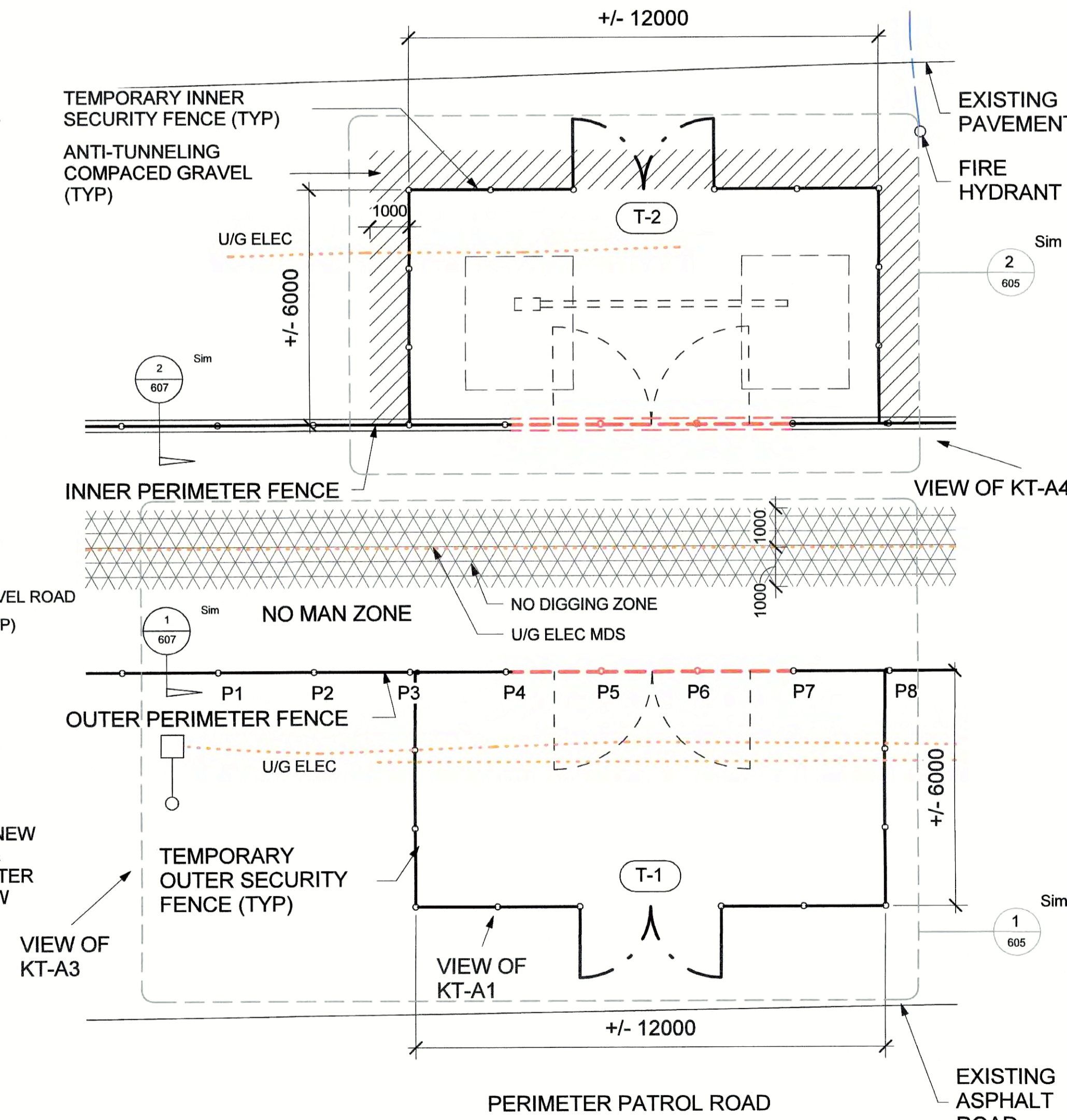
- UNDERGROUND UTILITIES - DRAINAGE
- - - UNDERGROUND UTILITIES - ELECTRICAL
- - - UNDERGROUND UTILITIES - GAS
- - - UNDERGROUND UTILITIES - WATER
- DEMOLITION - GATE, HEADER & RAZOR WIRES
- DEMOLITION - EXISTING POSTS & FENCE MESH INCLUDING BUT NOT LIMITED TO TOP & BOTTOM RAILS, RAZOR WIRES
- POST & FENCE
- EXISTING LIGHT POLE
- EXISTING SIGN
- NO DIGGING ZONE (TYP 1000 MM FROM BOTH SIDES OF MDS)
- ANTI-TUNNELING COMPACTED GRAVEL
- NEW ROAD (GRAVEL OR ASPHALT SEE CIVIL DWG)
- DOOR TAG & NO FOR TEMPORARY AND PERMANENT GATE



2 Gate 1 & 2 - NEW
1:100

GATE SCHEDULE - KENT (KT)

Phase	Location	Gate No.	Gate Type	New Clear W	New Clear H	Existing Opening (W)	Existing Opening (H)	Remark
1	KT	1	E	5000	4627			No existing gate
1	KT	2	E	5000	4627			MOCK UP GATE. No existing gate
1	KT	4	M	2600	2827	4800	4400	Existing: swing gate



1 Gate 1 & 2 - DEMO PLAN
1:100

PROFESSIONAL ENGINEER
L.K.S. LAM
NOV 6, 2020

Revision/Revision	Description/Description	Date/Date
2	ISSUE FOR TENDER	2020/11/06
1	ISSUE FOR TENDER REVIEW	JUN 22, 2020

Client/client
CORRECTIONAL SERVICE CANADA

Project title/Titre du projet
PACIFIC REGION PERIMETER FENCE UPGRADES

Consultant Approval Box Only
Designed by/Concepté par: DD
Drawn by/Dessiné par: DD
PWSSC Project Manager/Administrateur de Projets TPSGC: DARYL SINCLAIR / TONY TANG
PWSSC, Regional Manager, Architectural and Engineering Services/Gestionnaire régionale, Services d'architecture et de génie, TPSGC: PREETIPAL PAUL

Drawing title/Titre du dessin
KENT INSTITUTION GATE 1 & 2 - OVERALL DEMOLITION & NEW PLANS & PHOTOS

Project No./No. du projet	Sheet/ Feuille	Revision no./ La Révision no.
R.071529.001	KT-101	

PROFESSIONAL ENGINEER
L. A. SYLWAN
NOV 6, 2020

2	ISSUE FOR TENDER	2020/11/06
1	ISSUE FOR TENDER REVIEW	JUN 22, 2020
Revision/Revision	Description/Description	Date/Date

CORRECTIONAL SERVICE CANADA

PACIFIC REGION PERIMETER FENCE UPGRADES

Consultant Approval Box Only

Designed by/Concept par DD

Drawn by/Dessine par DD

PWGSC Project Manager/Administrateur de Projets TPSGC
DARYL SINCLAIR / TONY TANG

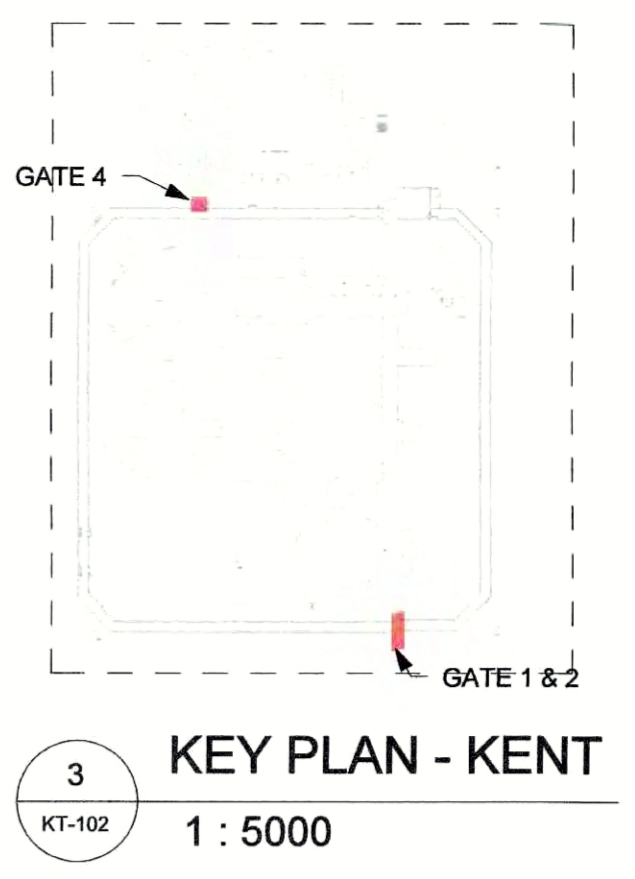
PWGSC, Regional Manager, Architectural and Engineering Services/
Gestionnaire régionale, Services d'architecture et de génie, TPSGC
PREETIPAL PAUL

KENT INSTITUTION GATE 4 - DEMOLLITION & NEW PLANS & PHOTOS

Project No./No. du projet R.071529.001	Sheet/ Feuille KT-102	Revision no./ La Révision no.
--	---------------------------------	-------------------------------

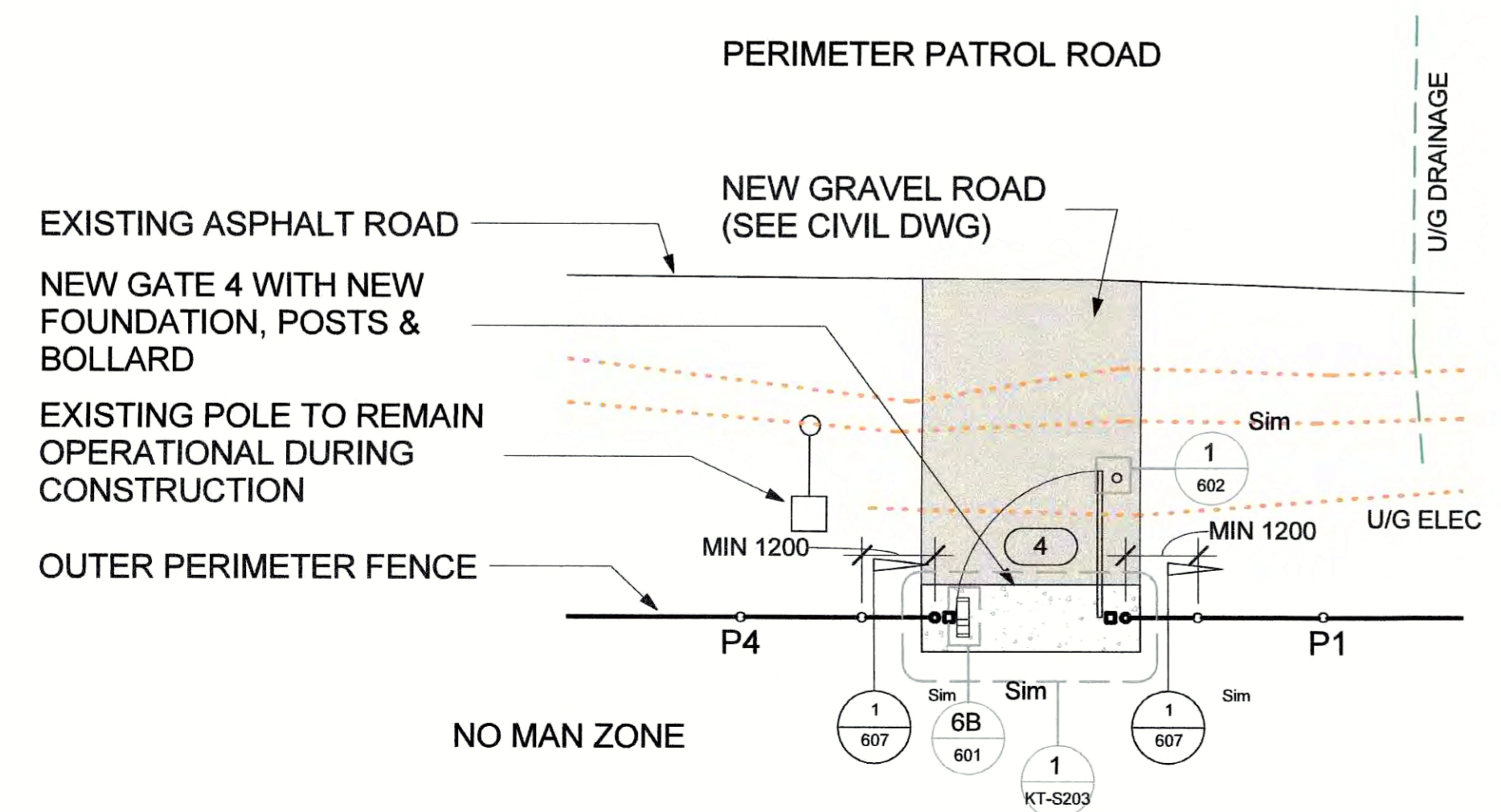
- NOTES**
- REFER TO CIVIL DRAWINGS FOR:
A) LOCATION OF UNDERGROUND UTILITIES. VERIFY LOCATIONS ON SITE.
B) NEW CONCRETE FOUNDATION ELEVATIONS
C) NEW ROAD WORK & TOPOGRAPHY
 - VERIFY ALL EXISTING POSTS LOCATION ON SITE. MAXIMUM DISTANCE BETWEEN CENTRE OF ALL NEW POSTS IS 2400MM. REFER TO SPECIFICATION.
 - SEE DRAWINGS 605 TO 608 FOR TYPICAL TEMPORARY INNER AND OUTER SECURITY FENCING PLANS, ELEVATIONS AND SECTIONS

- LEGEND**
- UNDERGROUND UTILITIES - DRAINAGE
 - UNDERGROUND UTILITIES - ELECTRICAL
 - UNDERGROUND UTILITIES - GAS
 - UNDERGROUND UTILITIES - WATER
 - DEMOLITION - GATE, HEADER & RAZOR WIRES
 - DEMOLITION - EXISTING POSTS & FENCE MESH INCLUDING BUT NOT LIMITED TO TOP & BOTTOM RAILS, RAZOR WIRES
 - POST & FENCE
 - EXISTING LIGHT POLE
 - EXISTING SIGN
 - NO DIGGING ZONE (TYP 1000 MM FROM BOTH SIDES OF MDS)
 - ANTI-TUNNELING COMPACTED GRAVEL
 - NEW ROAD (GRAVEL OR ASPHALT SEE CIVIL DWG)
 - DOOR TAG & NO FOR TEMPORARY AND PERMANENT GATE

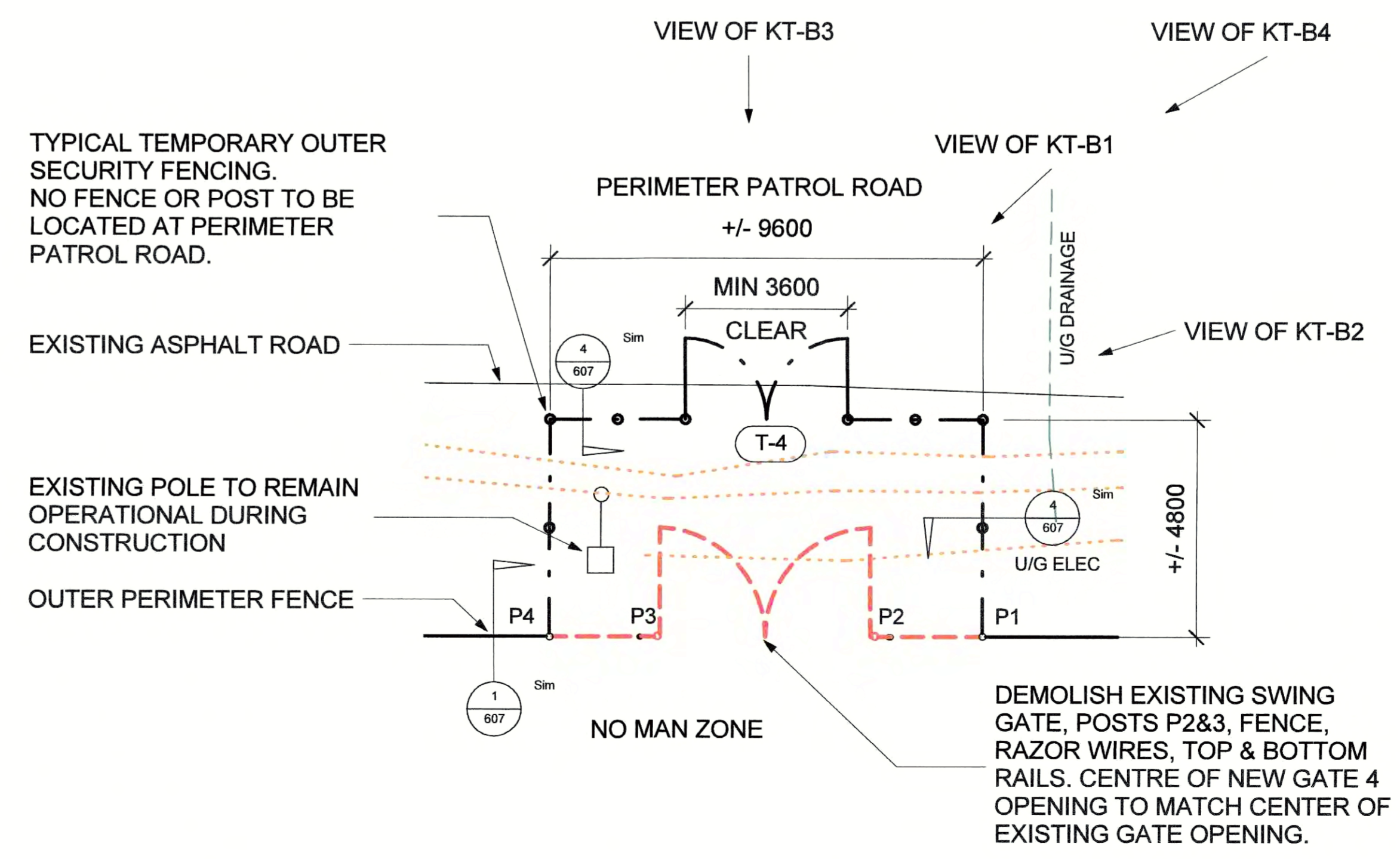


GATE SCHEDULE - KENT (KT)

Phase	Location	Gate No.	Gate Type	New Clear W	New Clear H	Existing Opening (W)	Existing Opening (H)	Remark
1	KT	1	E	5000	4627			No existing gate
1	KT	2	E	5000	4627			MOCK UP GATE. No existing gate
1	KT	4	M	2600	2827	4800	4400	Existing: swing gate



2 Gate 4 - NEW PLAN
KT-102 1:100



1 Gate 4 - DEMO PLAN
KT-102 1:100



PROFESSIONAL ENGINEER
L. K. LAM
Nov 6, 2020

Revision/Revision	Description/Description	Date/Date
2	ISSUE FOR TENDER	2020/11/06
1	ISSUE FOR TENDER REVIEW	2020/06/30

Client/client: CORRECTIONAL SERVICE CANADA

Project title/Titre du projet: PACIFIC REGION PERIMETER FENCE UPGRADES

Consultant Approval Box Only

Designed by/Concept par: L.L.

Drawn by/Dessiné par: CAD

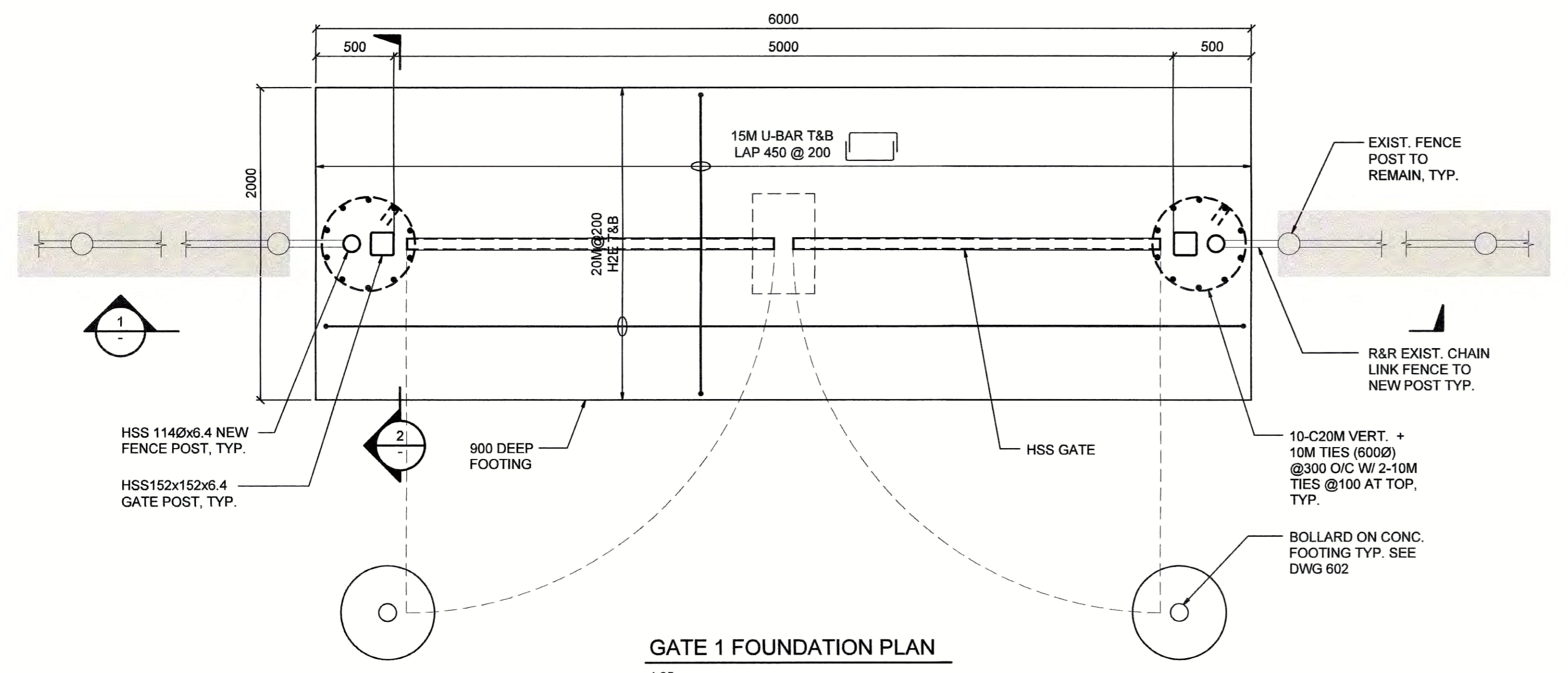
PWGSC Project Manager/Administrateur de Projets TPSCG: DARYL SINCLAIR / TONY TANG

Professional Engineer/Ingénieur professionnel: PREETIPAL PAUL

Drawing title/Titre du dessin: KENT INSTITUTION GATE 1 PLAN & DETAILS

Project No./No. du projet	Sheet/Feuille	Revision no./No. de Révision
R.071529.001	KT-S201	3

12920



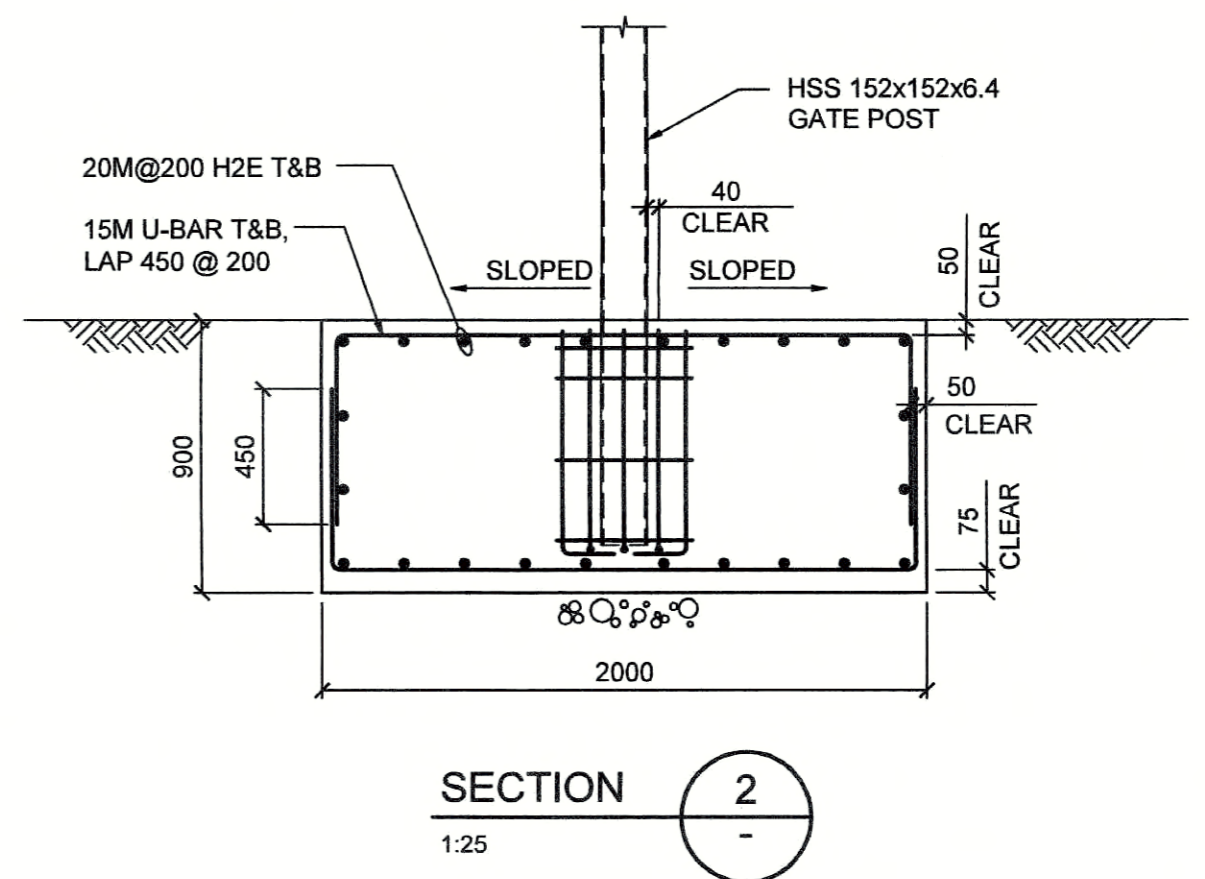
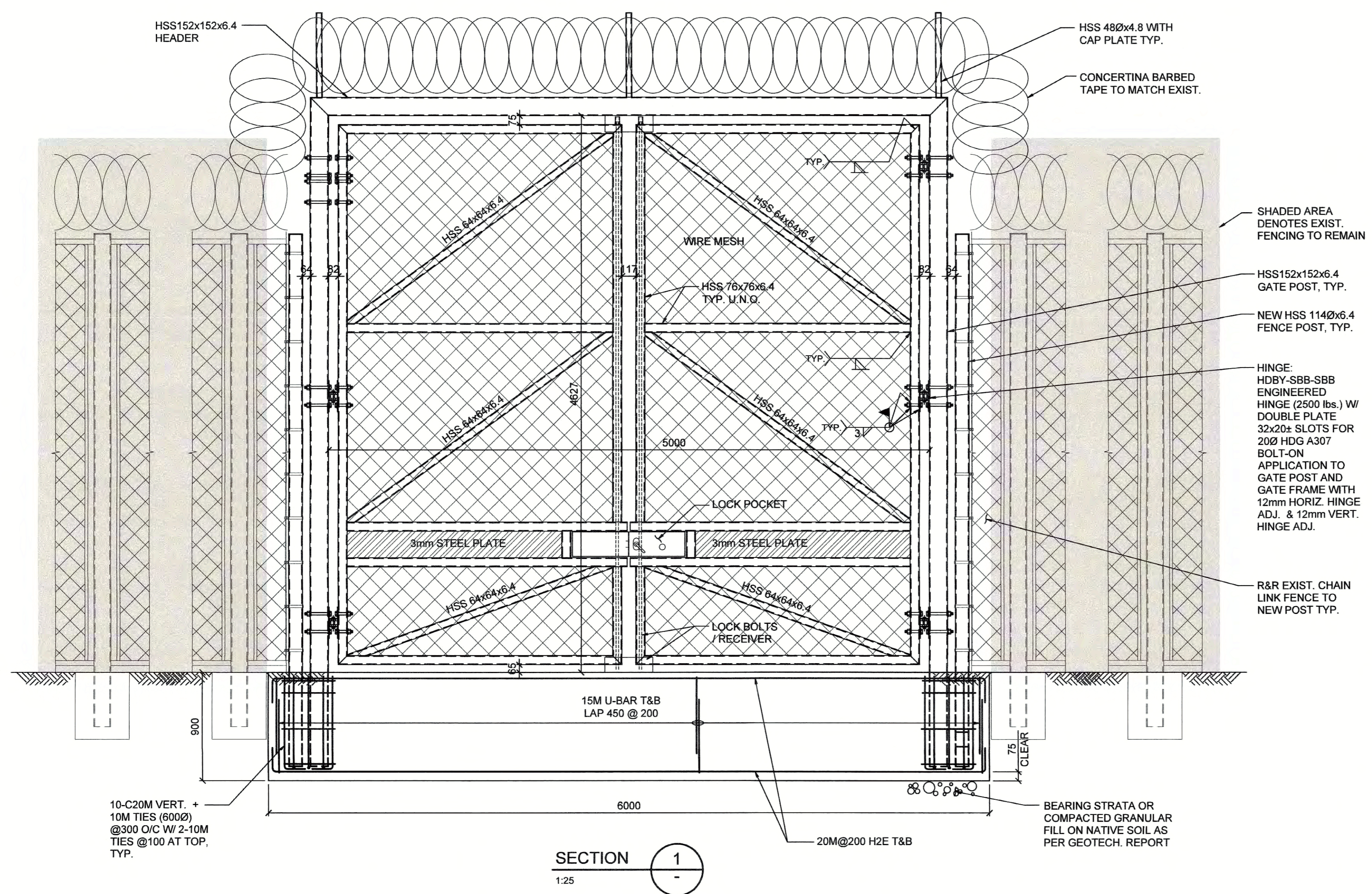
ASSUME SOIL BEARING:
SLS 100 kPa
ULS 150 kPa

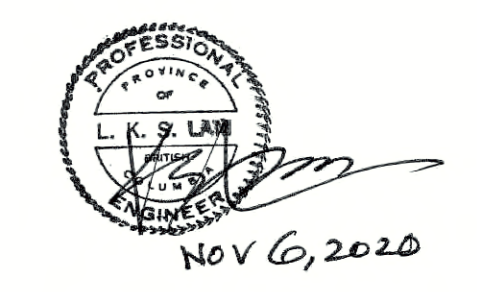
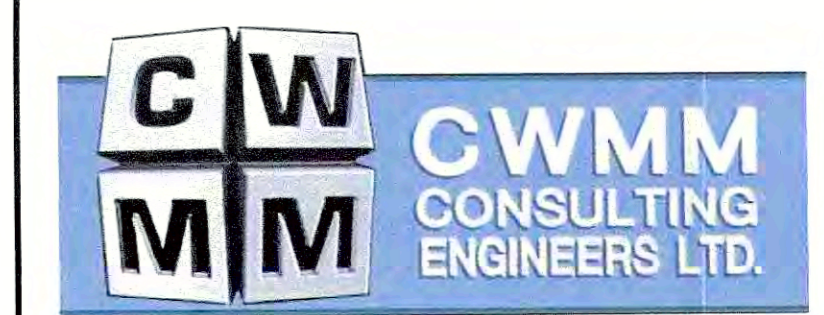
CALL DESIGNATED GEOTECH. CONSULTANT FOR SOIL BEARING CONFIRMATION
SUBGRADE MODULUS = 10000 kN/m³

CONTRACTOR SHALL PAY FOR THE ABOVE SERVICES

CONCRETE GRADE:
f_c' = 40 MPa (CATEGORY C1)

- NOTES:
- ALL HSS MEMBERS, BOLTS & NUTS AND ACCESSORIES SHALL BE HOT DIPPED GALVANIZED TO 600 g/m². "HDG" DENOTES HOT DIPPED GALVANIZED.
 - TOUCH UP ALL FIELD WELDED AREA WITH APPROVED ZINC RICH PAINT.
 - SEE ARCH. FOR GATE LOCK & GATE BOTTOM BOLT RECEIVER DETAILS
 - SEE ARCH. DRAWING 601 TO 603 FOR GATE DIMENSIONS & DETAILS.





ASSUME SOIL BEARING:
SLS 100 kPa
ULS 150 kPa

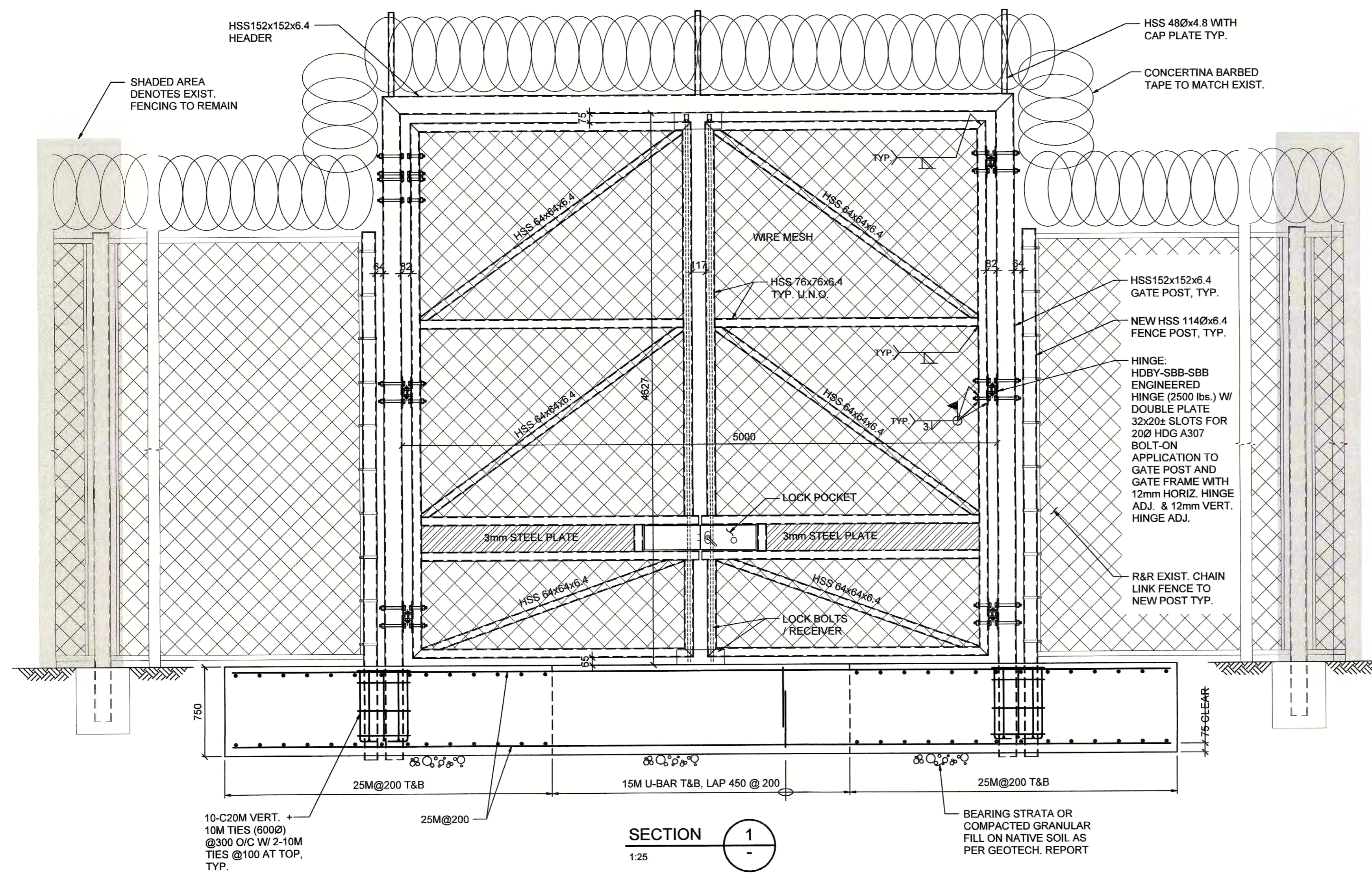
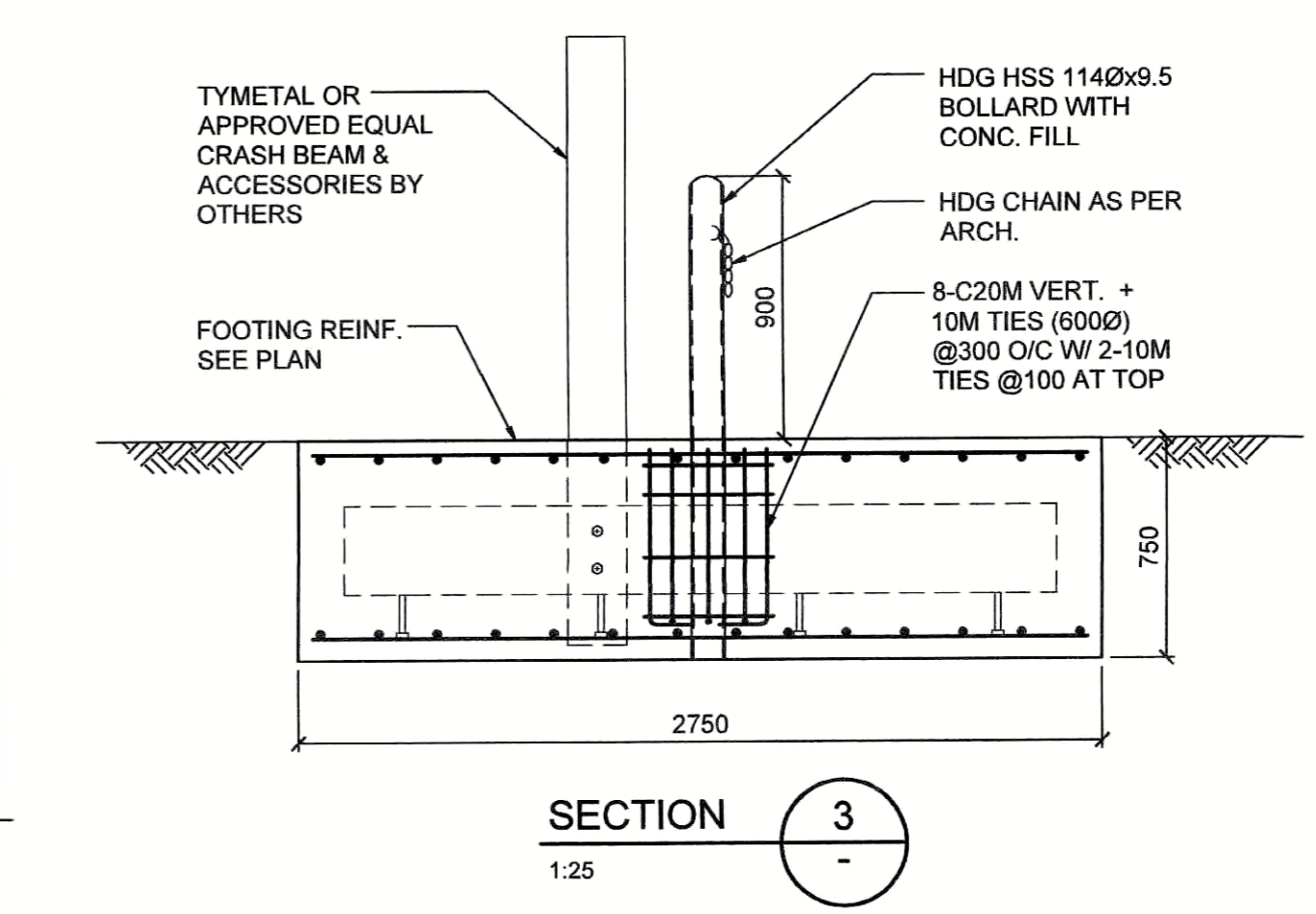
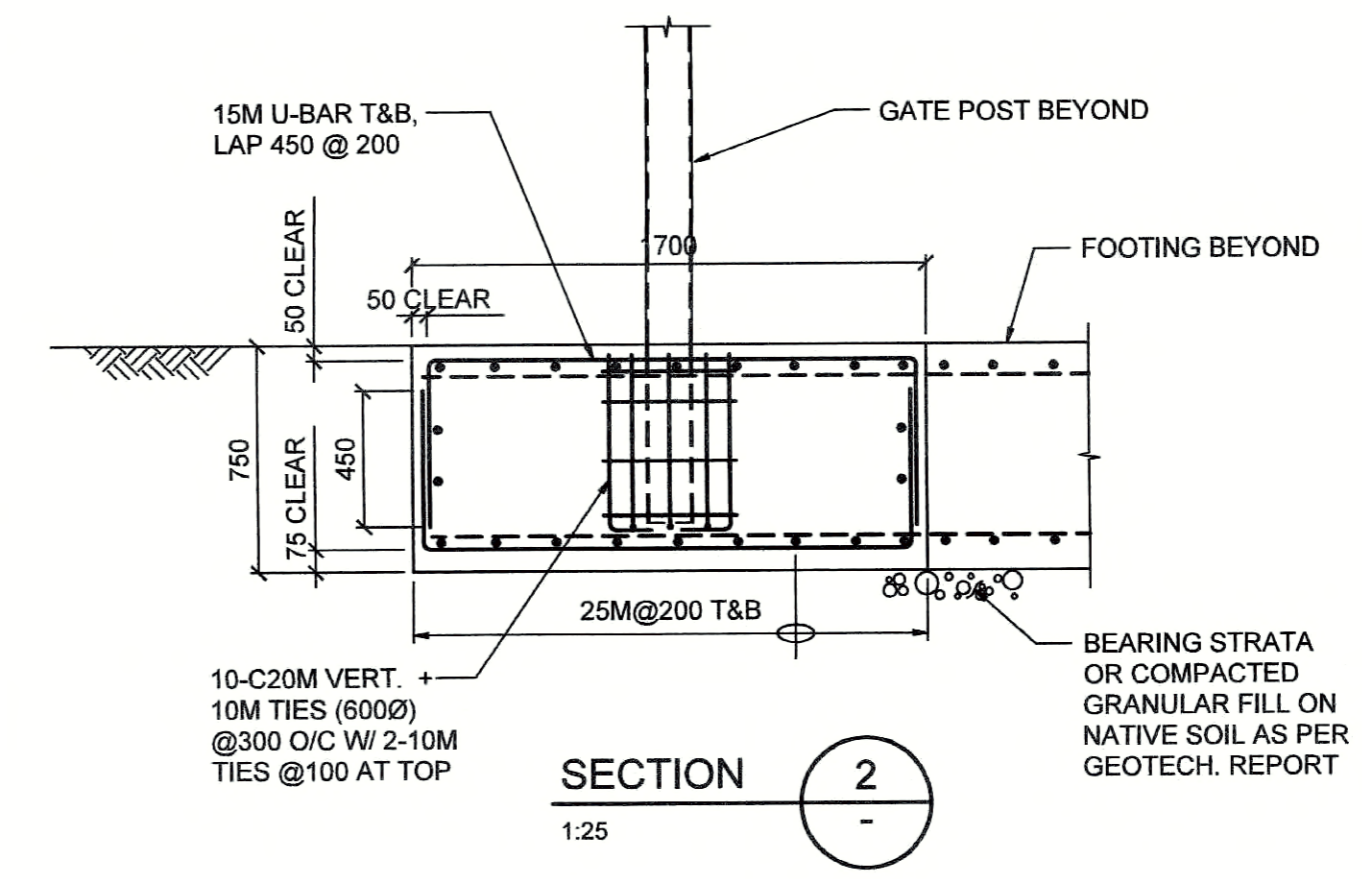
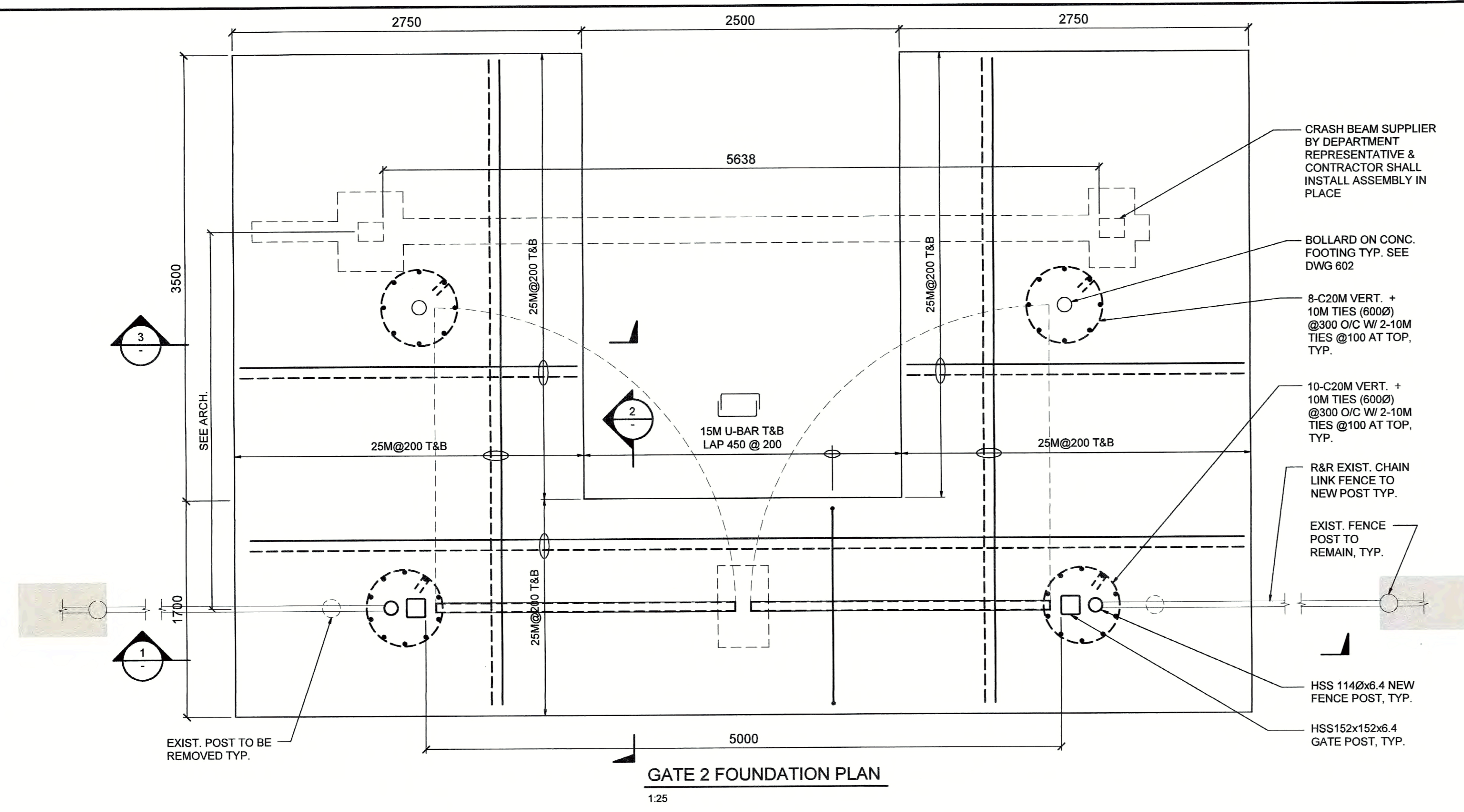
CALL DESIGNATED GEOTECH. CONSULTANT FOR SOIL BEARING CONFIRMATION
SUBGRADE MODULUS = 10000 kN/m³

CONTRACTOR SHALL PAY FOR THE ABOVE SERVICES

CONCRETE GRADE:
f_c' = 40 MPa (CATEGORY C1)

NOTES:

- ALL HSS MEMBERS, BOLTS & NUTS AND ACCESSORIES SHALL BE HOT DIPPED GALVANIZED TO 600 g/m², "HDG" DENOTES HOT DIPPED GALVANIZED.
- TOUCH UP ALL FIELD WELDED AREA WITH APPROVED ZINC RICH PAINT.
- SEE ARCH. FOR GATE LOCK & GATE BOTTOM BOLT RECEIVER DETAILS
- SEE ARCH. DRAWING 601 TO 603 FOR GATE DIMENSIONS & DETAILS.



2	ISSUE FOR TENDER	2020/11/06
1	ISSUE FOR TENDER REVIEW	2020/06/30
Revision/Revision	Description/Description	Date/Date

Client/client

CORRECTIONAL SERVICE CANADA

Project title/Titre du projet

PACIFIC REGION PERIMETER FENCE UPGRADES

Consultant Approval Box Only

Designed by/Concept par
LL

Drawn by/Dessiné par
CAD

PWGSC Project Manager/Administrateur de Projets TPSGC
DARYL SINCLAIR / TONY TANG

Checked by/Contrôlé par
PREETIPAL PAUL

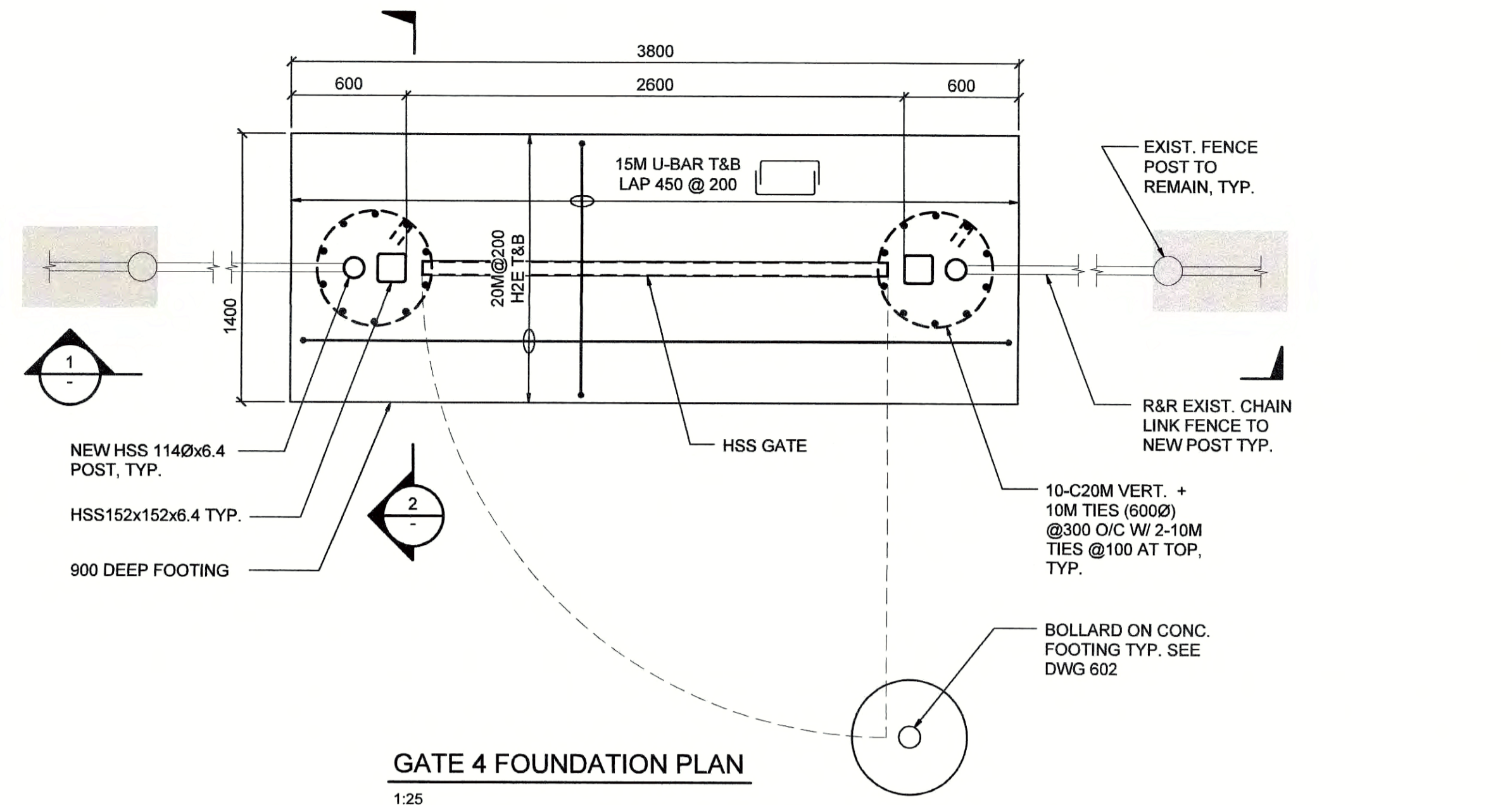
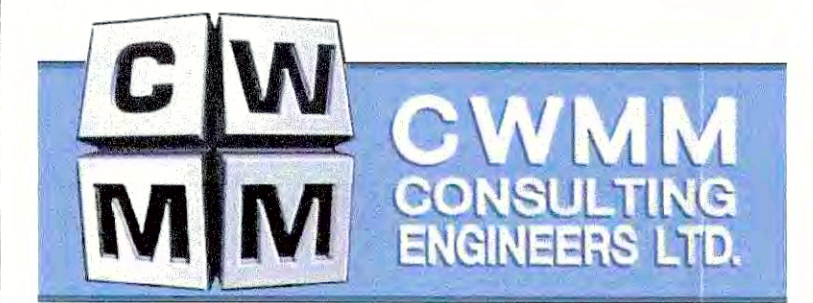
Drawing title/Titre du dessin

KENT INSTITUTION GATE 2 PLAN & DETAILS

Project No./No. du projet	Sheet/Feuille	Revision no./Le Révision no.
R.071529.001	KT-S202	3

12920





GATE 4 FOUNDATION PLAN
1:25

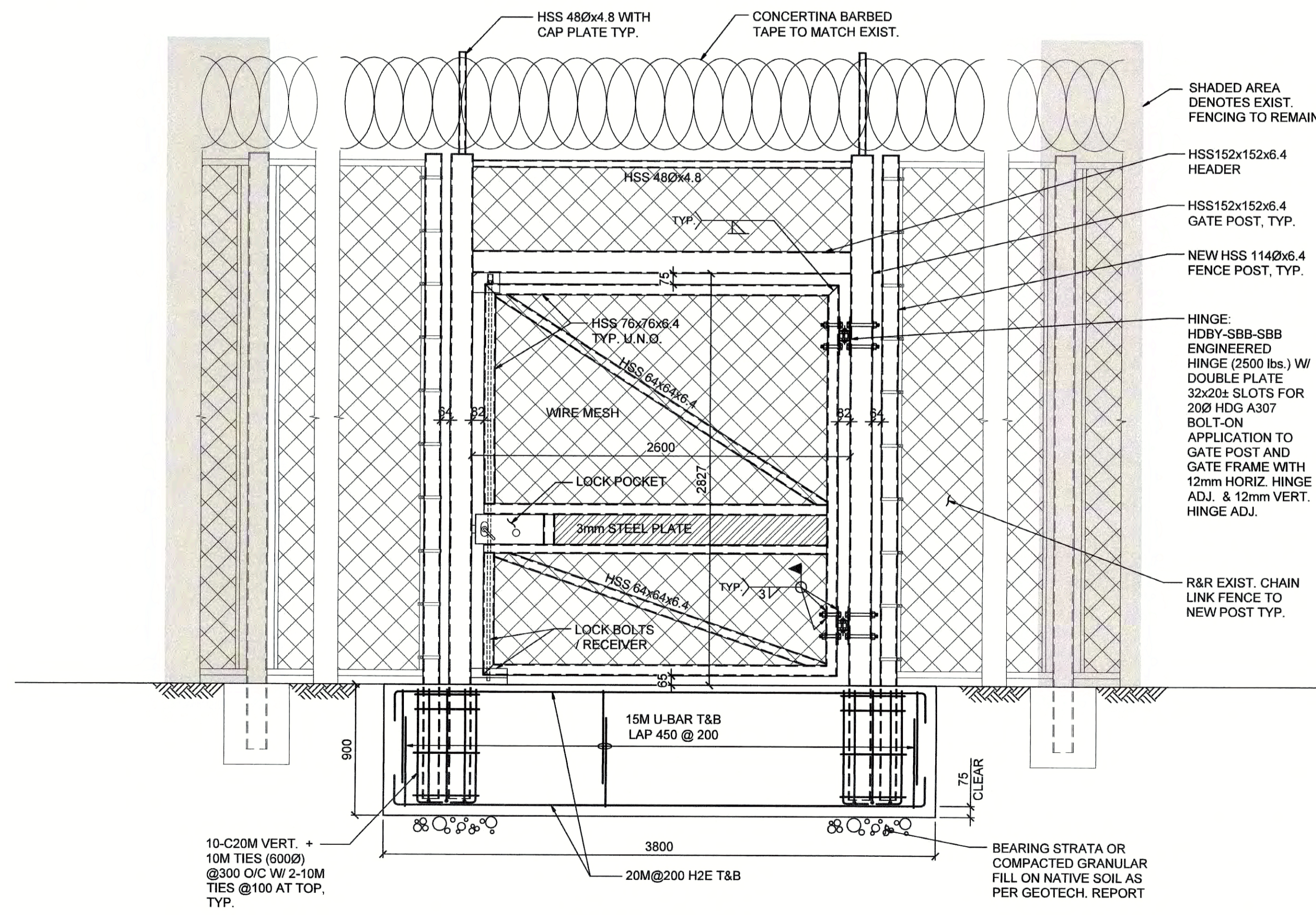
ASSUME SOIL BEARING:
SLS 100 kPa
ULS 150 kPa

CALL DESIGNATED GEOTECH. CONSULTANT FOR SOIL BEARING CONFIRMATION
SUBGRADE MODULUS = 100000 kN/m³

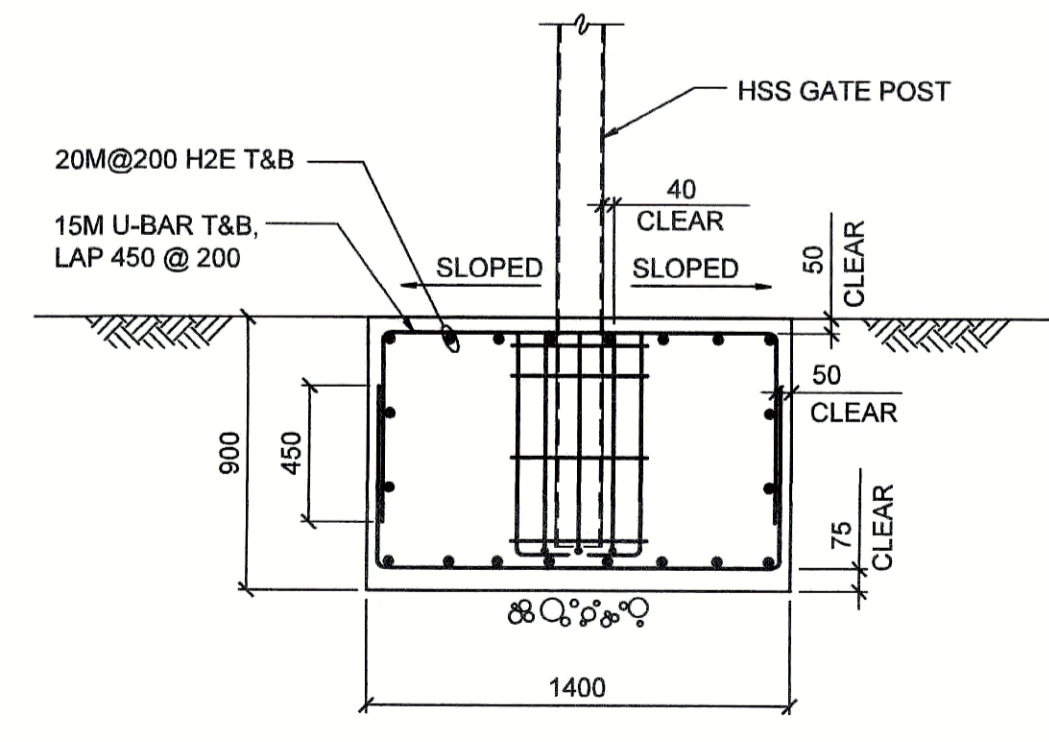
CONTRACTOR SHALL PAY FOR THE ABOVE SERVICES

CONCRETE GRADE:
f_c' = 40 MPa (CATEGORY C1)

NOTES:
1. ALL HSS MEMBERS, BOLTS & NUTS AND ACCESSORIES SHALL BE HOT DIPPED GALVANIZED TO 600 g/m², "HDG" DENOTES HOT DIPPED GALVANIZED.
2. TOUCH UP ALL FIELD WELDED AREA WITH APPROVED ZINC RICH PAINT.
3. SEE ARCH. FOR GATE LOCK & GATE BOTTOM BOLT RECEIVER DETAILS
4. SEE ARCH. DRAWING 601 TO 603 FOR GATE DIMENSIONS & DETAILS.



SECTION 1
1:25



SECTION 2
1:25



Revision/Revision	Description/Description	Date/Date
2	ISSUE FOR TENDER	2020/11/06
1	ISSUE FOR TENDER REVIEW	2020/06/30

Client/client
CORRECTIONAL SERVICE CANADA

Project title/Titre du projet
PACIFIC REGION PERIMETER FENCE UPGRADES

Consultant Approval Box Only
Designed by/Concept par LL
Drawn by/Dessiné par CAD
PWGSC Project Manager/Administrateur de Projets TPSGC
DARYL SINCLAIR / TONY TANG
PWGSC Regional Manager, Architectural and Engineering Services / Gestionnaire régional, Services d'architecture et de génie, TPSGC
PREETIPAL PAUL

Drawing title/Titre du dessin
KENT INSTITUTION GATE 4 PLAN & DETAILS

Project No./No. du projet	Sheet/Feuille	Revision no./La Révision no.
R.071529.001	KT-S203	3



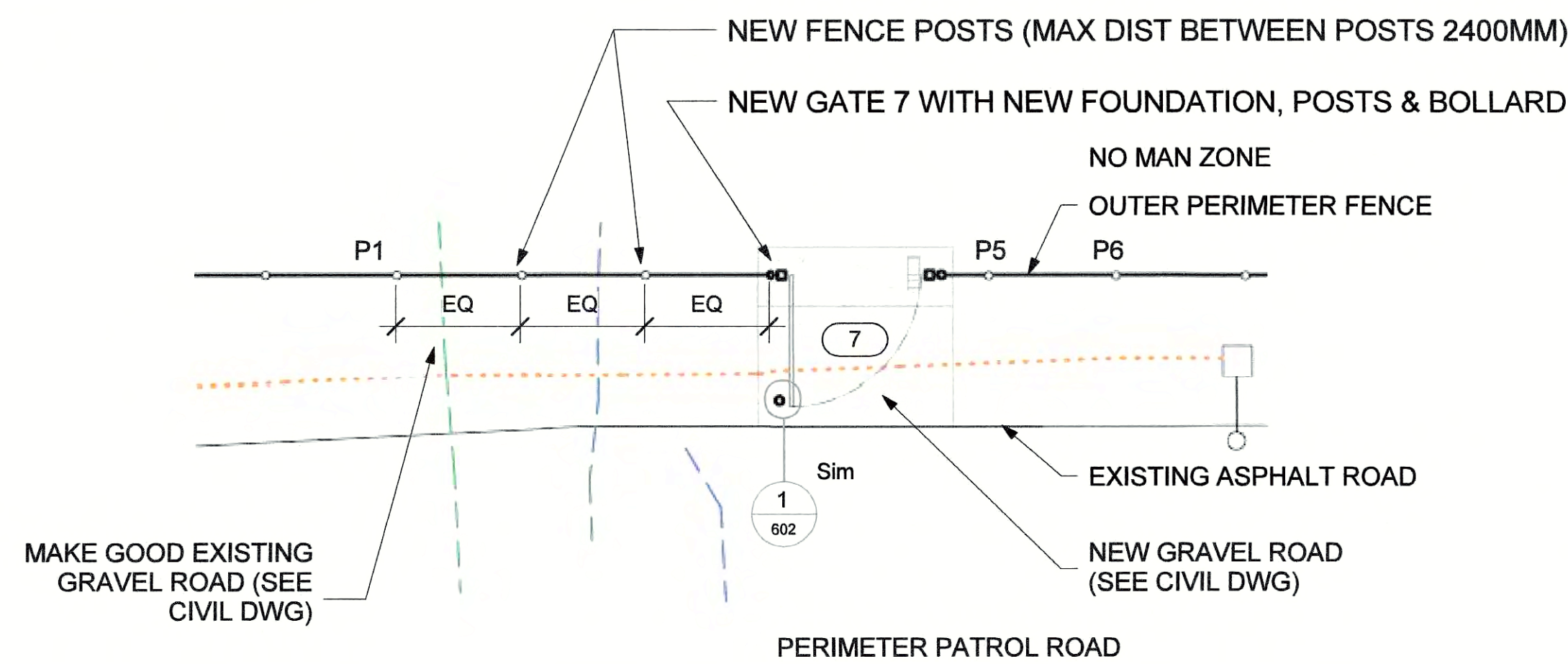
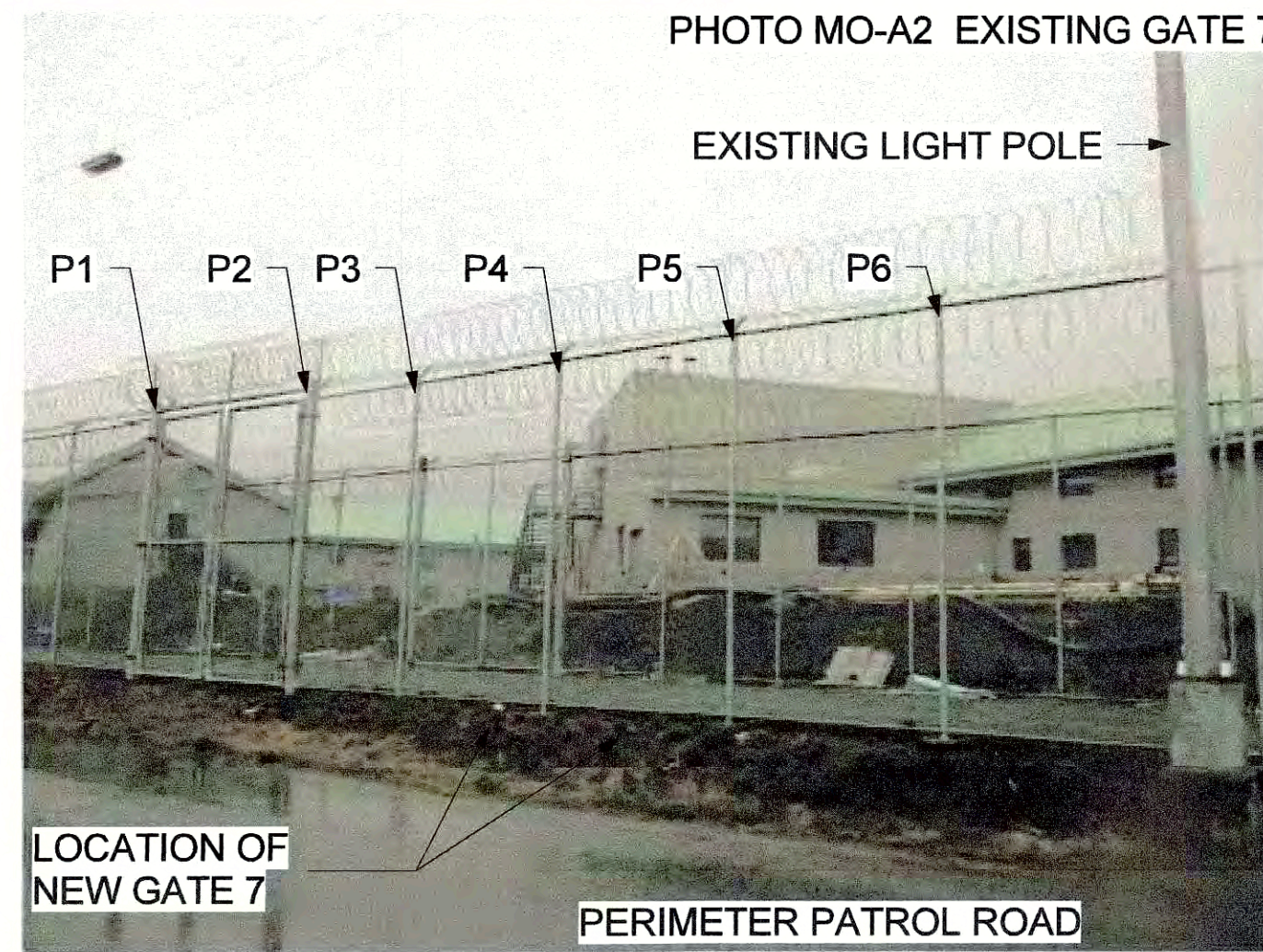
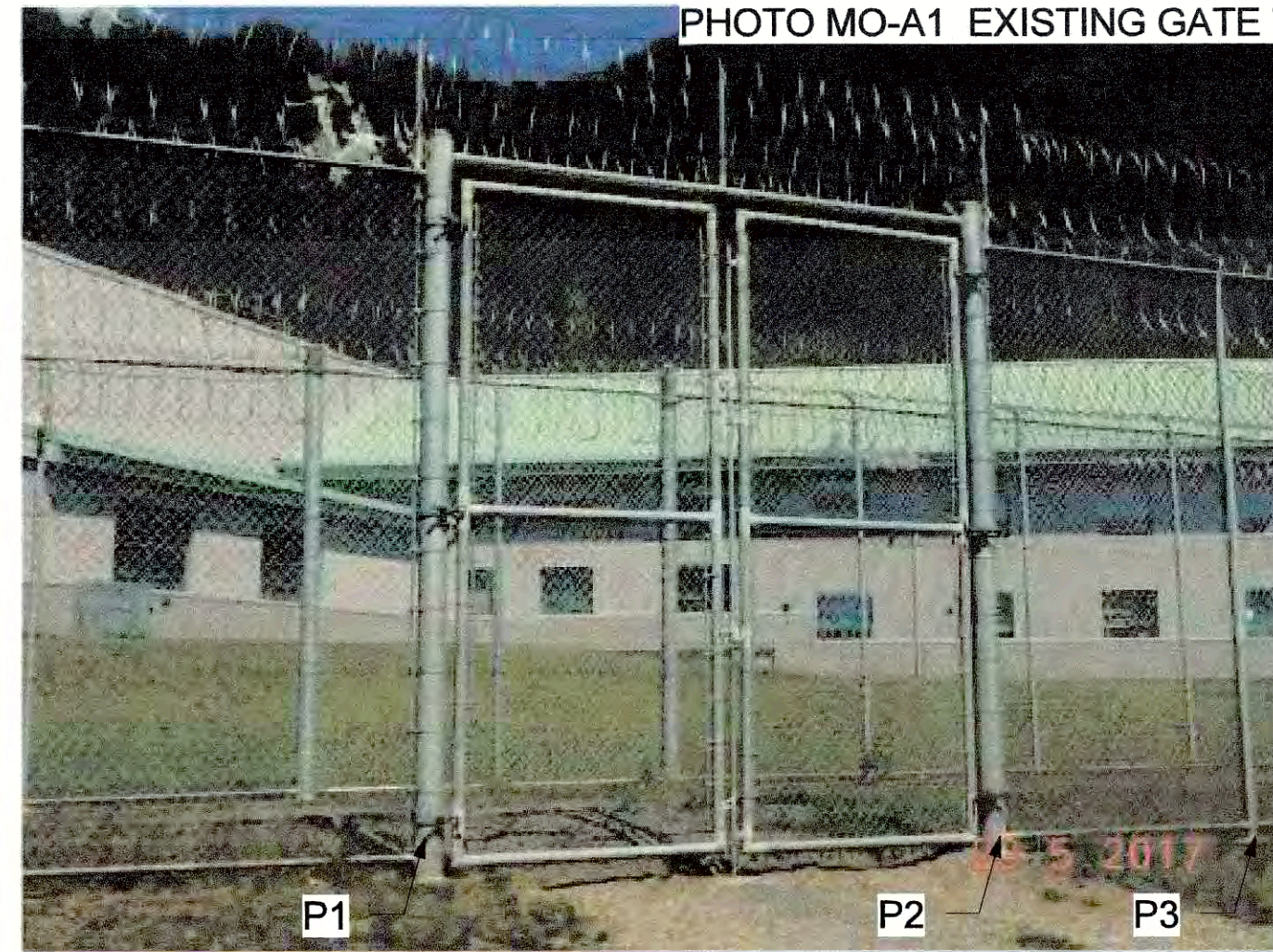
GATE SCHEDULE - MOUNTAIN (MO)							
Phase	Location	Gate No.	Gate Type	New Clear W	New Clear H	Existing Opening (W)	Existing Opening (H)
2	MO	7	M	2600	2827	3670	4430
2	MO	8	M	2600	2827	3100	4350
2	MO	9	E	5000	4627		
2	MO	10	E	5000	4627	5000	

NOTES

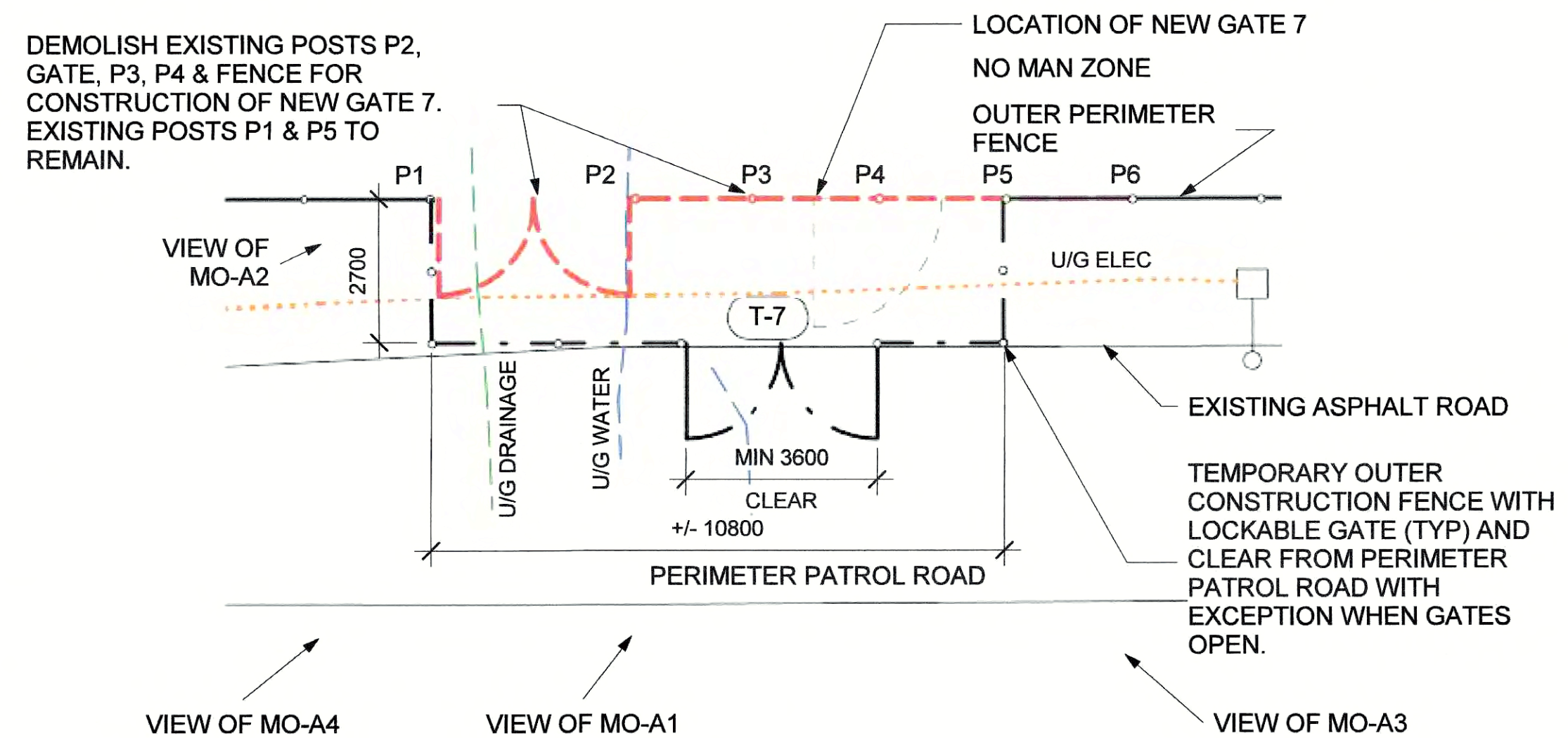
- REFER TO CIVIL DRAWINGS FOR:
 - LOCATION OF UNDERGROUND UTILITIES. VERIFY LOCATIONS ON SITE.
 - NEW CONCRETE FOUNDATION ELEVATIONS
 - NEW ROAD WORK & TOPOGRAPHY
- VERIFY ALL EXISTING POSTS LOCATION ON SITE. MAXIMUM DISTANCE BETWEEN CENTRE OF ALL NEW POSTS IS 2400MM. REFER TO SPECIFICATION.
- SEE DRAWINGS 605 TO 608 FOR TYPICAL TEMPORARY INNER AND OUTER SECURITY FENCING PLANS, ELEVATIONS AND SECTIONS

LEGEND

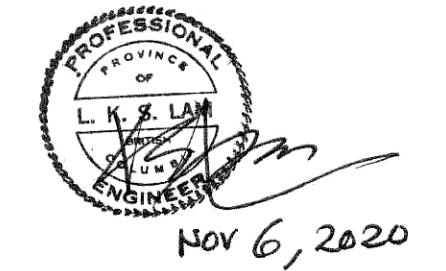
- UNDERGROUND UTILITIES - DRAINAGE
- UNDERGROUND UTILITIES - ELECTRICAL
- UNDERGROUND UTILITIES - GAS
- UNDERGROUND UTILITIES - WATER
- DEMOLITION - GATE, HEADER & RAZOR WIRES
- DEMOLITION - EXISTING POSTS & FENCE MESH INCLUDING BUT NOT LIMITED TO TOP & BOTTOM RAILS, RAZOR WIRES
- POST & FENCE
- EXISTING LIGHT POLE
- EXISTING SIGN
- NO DIGGING ZONE (TYP 1000 MM FROM BOTH SIDES OF MDS)
- ANTI-TUNNELING COMPACTED GRAVEL
- NEW ROAD (GRAVEL OR ASPHALT SEE CIVIL DWG)
- DOOR TAG & NO FOR TEMPORARY AND PERMANENT GATE



2 Gate 7 - NEW PLAN
MO-101 1 : 100



1 Gate 7 - DEMO PLAN
MO-101 1 : 100



Revision/Revision	Description/Description	Date/Date
2	ISSUE FOR TENDER	2020/11/06
1	ISSUE FOR TENDER REVIEW	JUN 22, 2020

Client/client
CORRECTIONAL SERVICE CANADA

Project title/Titre du projet
PACIFIC REGION PERIMETER FENCE UPGRADES

Consultant Approval Box Only
Designed by/Concept par DD
Drawn by/Dessine par DD
PWGSC Project Manager/Administrateur de Projets TPSGC
DARYL SINCLAIR / TONY TANG
PWGSC, Regional Manager, Architectural and Engineering Services/
Gestionnaire régionale, services d'architectural et de génie, TPSGC
PREETIPAL PAUL

Drawing title/Titre du dessin
MOUNTAIN INSTITUTION GATE 7 - DEMOLITION & NEW PLANS & PHOTOS

Project No./No. du projet R.071529.001	Sheet/ Feuille MO-101	Revision no./ La Révision no.
--	---------------------------------	----------------------------------

GATE SCHEDULE - MOUNTAIN (MO)							
Phase	Location	Gate No.	Gate Type	New Clear W	New Clear H	Existing Opening (W)	Existing Opening (H)
2	MO	7	M	2600	2827	3670	4430
2	MO	8	M	2600	2827	3100	4350
2	MO	9	E	5000	4627		
2	MO	10	E	5000	4627	5000	

NOTES

- REFER TO CIVIL DRAWINGS FOR:
A) LOCATION OF UNDERGROUND UTILITIES. VERIFY LOCATIONS ON SITE.
B) NEW CONCRETE FOUNDATION ELEVATIONS
C) NEW ROAD WORK & TOPOGRAPHY
- VERIFY ALL EXISTING POSTS LOCATION ON SITE. MAXIMUM DISTANCE BETWEEN CENTRE OF ALL NEW POSTS IS 2400MM. REFER TO SPECIFICATION.
- SEE DRAWINGS 605 TO 608 FOR TYPICAL TEMPORARY INNER AND OUTER SECURITY FENCING PLANS, ELEVATIONS AND SECTIONS

LEGEND

- UNDERGROUND UTILITIES - DRAINAGE
- UNDERGROUND UTILITIES - ELECTRICAL
- UNDERGROUND UTILITIES - GAS
- UNDERGROUND UTILITIES - WATER
- DEMOLITION - GATE, HEADER & RAZOR WIRES
- DEMOLITION - EXISTING POSTS & FENCE MESH INCLUDING BUT NOT LIMITED TO TOP & BOTTOM RAILS, RAZOR WIRES
- POST & FENCE
- EXISTING LIGHT POLE
- EXISTING SIGN
- NO DIGGING ZONE (TYP 1000 MM FROM BOTH SIDES OF MDS)
- ANTI-TUNNELING COMPACTED GRAVEL
- NEW ROAD (GRAVEL OR ASPHALT SEE CIVIL DWG)
- DOOR TAG & NO FOR TEMPORARY AND PERMANENT GATE

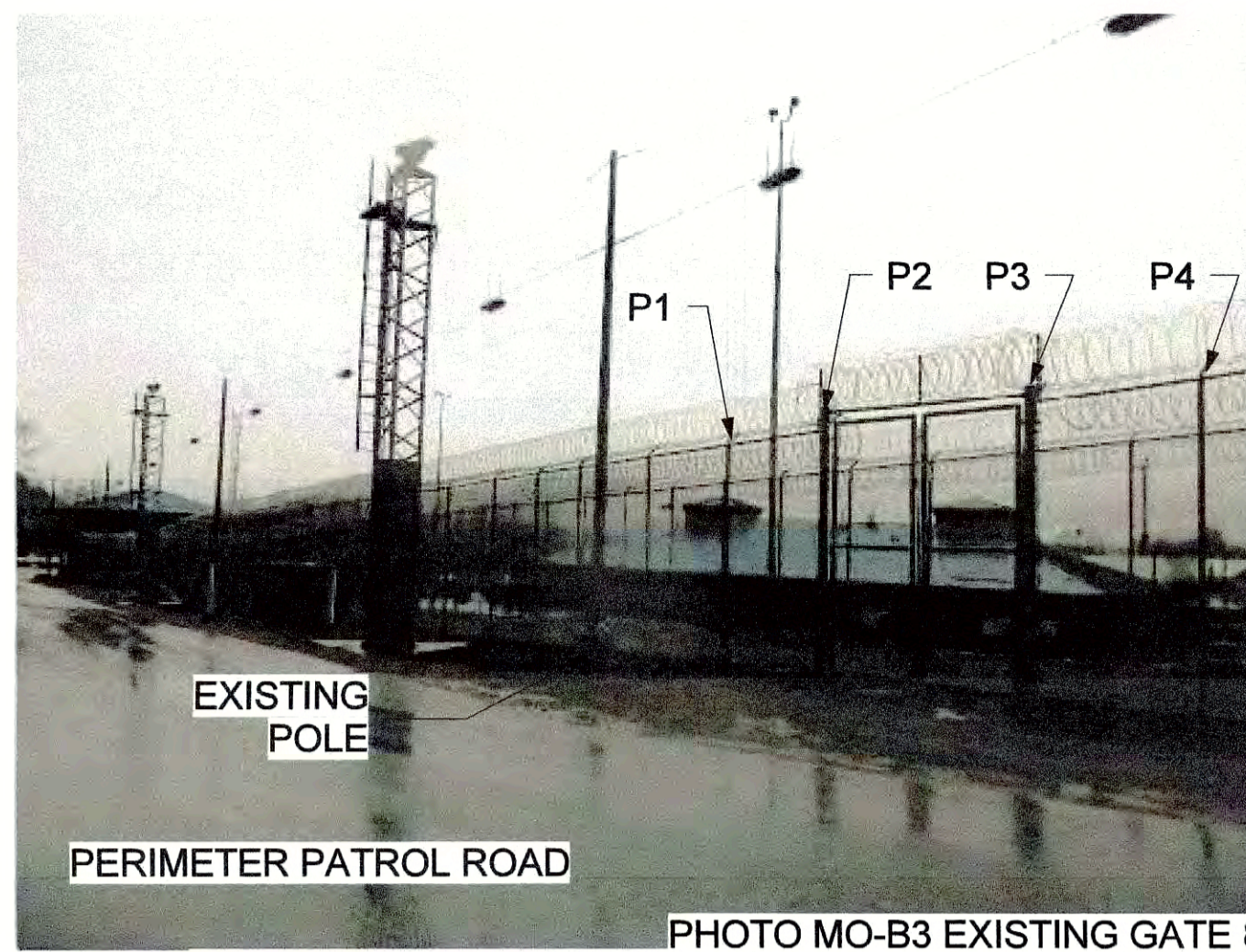


PHOTO MO-B3 EXISTING GATE 8



PHOTO MO-B1 EXISTING GATE 8



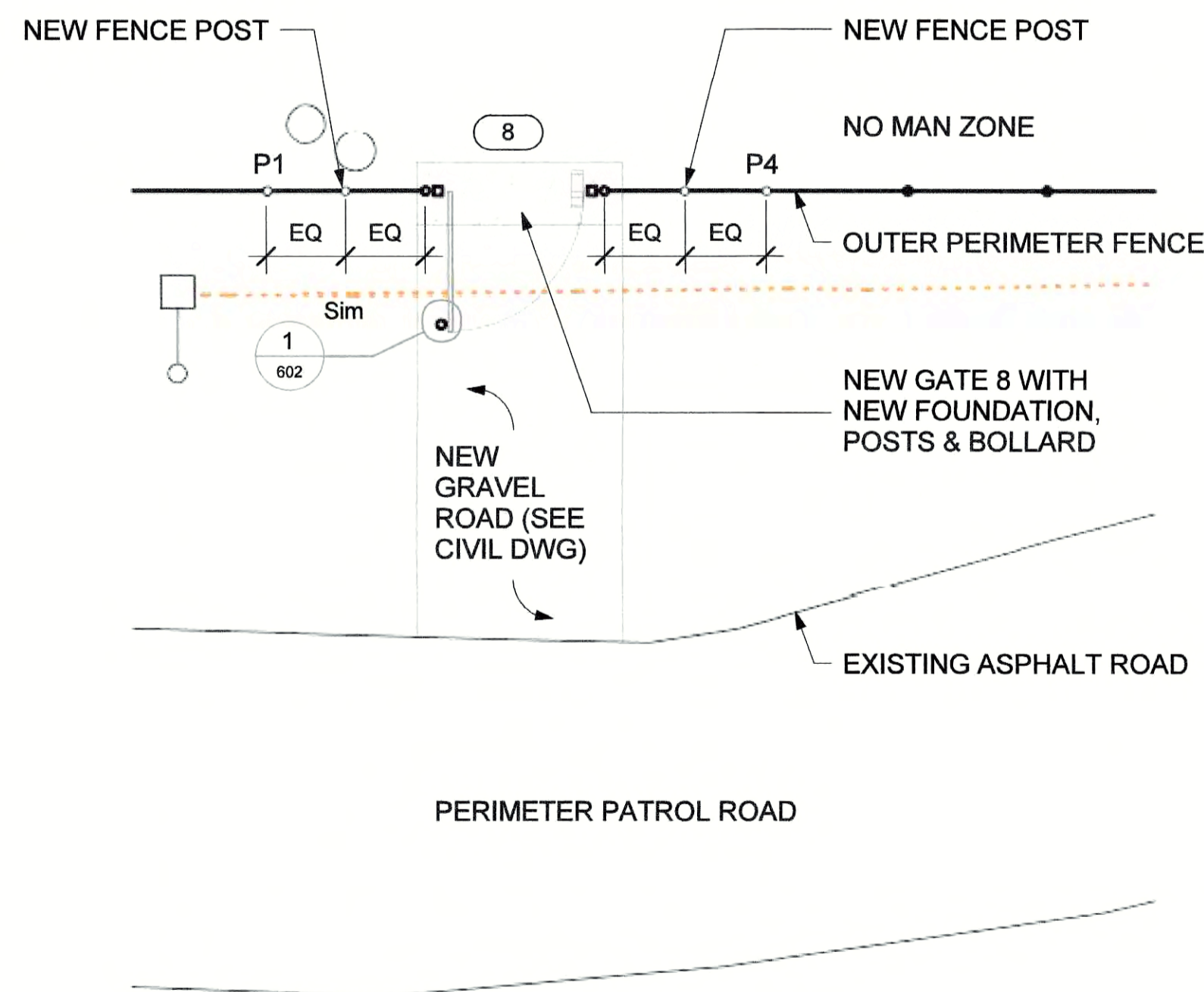
PHOTO MO-B4 EXISTING GATE 8



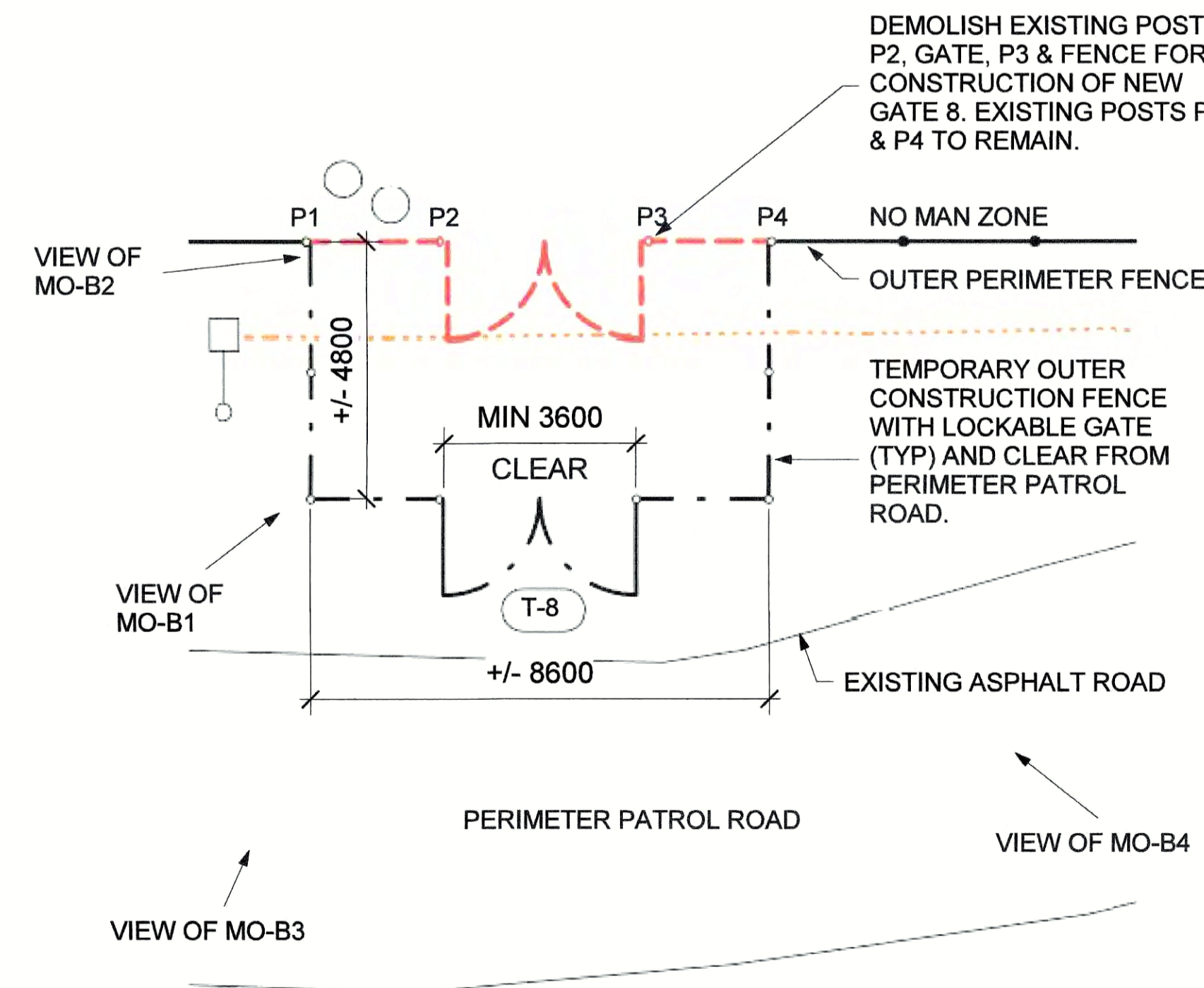
PHOTO MO-B2 EXISTING GATE 8



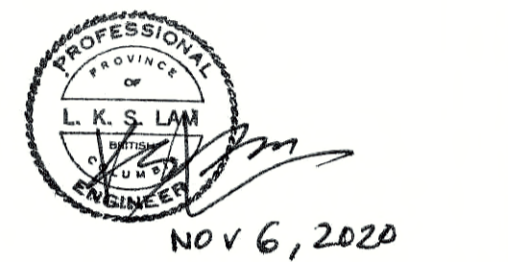
3 MO-102 KEY PLAN - MO
1 : 5000



2 Gate 8 - NEW PLAN
MO-102 1 : 100



1 Gate 8 - DEMO PLAN
MO-102 1 : 100



Revision/Revision	Description/Description	Date/Date
2	ISSUE FOR TENDER	2020/11/08
1	ISSUE FOR TENDER REVIEW	JUN 22, 2020

Client/client

CORRECTIONAL SERVICE CANADA

Project title/Titre du projet

PACIFIC REGION PERIMETER FENCE UPGRADES

Consultant Approval Box Only

Designed by/Concept par DD

Drawn by/Dessiné par DD

PWGSC Project Manager/Administrateur de Projets TPSGC

DARYL SINCLAIR / TONY TANG

PWGSC, Regional Manager, Architectural and Engineering Services/ Gestionnaire régionale, services d'architecture et de génie, TPSGC

PREETIPAL PAUL

Drawing title/Titre du dessin

MOUNTAIN INSTITUTION GATE 8 - DEMOLITION & NEW PLANS & PHOTOS

Project No./No. du projet	Sheet/ Feuille	Revision no./ La Revision no.
R.071529.001	MO-102	

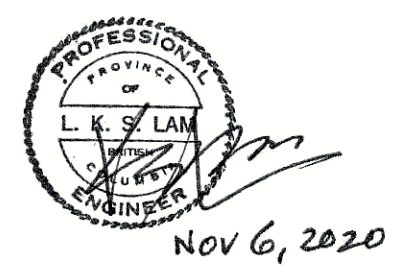


PHOTO MO-C11 EXISTING OUTER PERIMETER FENCE



PHOTO MO-C10 EXISTING NO MAN ZONE



PHOTO MO-C9 EXISTING OUTER PERIMETER FENCE & GATES



EXISTING SLIDING & PEDESTRIAN GATES & FENCE TO BE DEMOLISHED FOR CONSTRUCTION OF GATE 10

PHOTO MO-C8 EXISTING INNER PERIMETER FENCE & CRASH BEAM & NO MAN ZONE



NO EXISTING GATE AT INNER PERIMETER FENCE

PHOTO MO-C7 EXISTING INTERIOR & INNER PERIMETER FENCE



ELECTRICAL MANHOLE

PHOTO MO-C6 EXISTING INNER PERIMETER FENCE & CRASH BEAM



EXISTING CRASH BEAM

PHOTO MO-C5 EXISTING INTERIOR FENCE & GATES



PHOTO MO-4 EXISTING INTERIOR FENCE & GATES



PHOTO MO-C3 EXISTING INTERIOR FENCE & ROAD



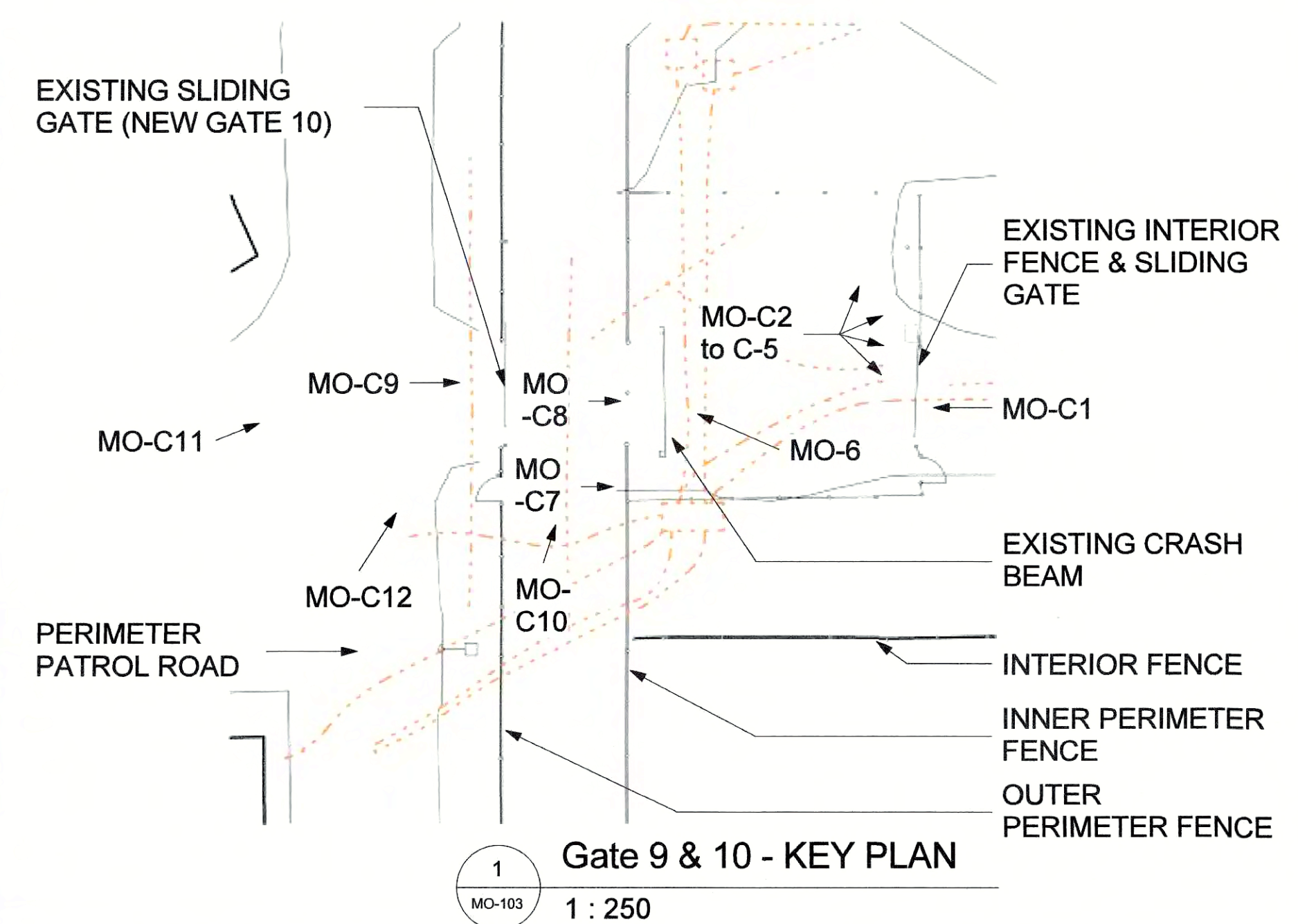
PHOTO MO-C2 EXISTING INTERIOR FENCE & GATES



PHOTO MO-C1 EXISTING INTERIOR FENCE & GATES



EXISTING SLIDING & PEDESTRIAN GATES & FENCE TO BE DEMOLISHED AFTER COMPLETION OF NEW GATE 9 & 10 (SEE DEMO PLAN)



2	ISSUE FOR TENDER	2020/11/08
1	ISSUE FOR TENDER REVIEW	JUN 22, 2020
Revision/Revision	Description/Description	Date/Date

Client/client

CORRECTIONAL SERVICE CANADA

Project title/Titre du projet

PACIFIC REGION PERIMETER FENCE UPGRADES

Consultant Approval Box Only

Designed by/Concept par
DD

Drawn by/Dessiné par
DD

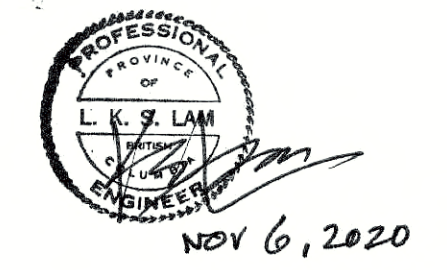
PWGC Project Manager/Administrateur de Projets TPSCG
DARYL SINCLAIR / TONY TANG

PWGC, Regional Manager, Architectural and Engineering Services/
Gestionnaire régionale, Services d'architectural et de génie, TPSCG
PREETIPAL PAUL

Drawing title/Titre du dessin

MOUNTAIN INSTITUTION GATE 9 & 10 - PHOTOS & KEY PLAN

Project No./No. du projet R.071529.001	Sheet/ Feuille MO-103	Revision no./ La Revision no.
--	---------------------------------	--

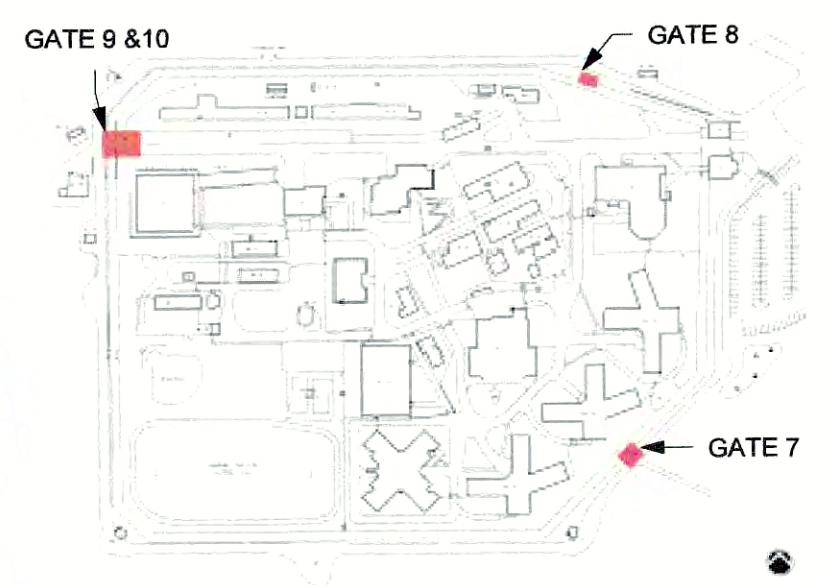


LEGEND

- UNDERGROUND UTILITIES - DRAINAGE
- UNDERGROUND UTILITIES - ELECTRICAL
- UNDERGROUND UTILITIES - GAS
- UNDERGROUND UTILITIES - WATER
- DEMOLITION - GATE, HEADER & RAZOR WIRES
- DEMOLITION - EXISTING POSTS & FENCE MESH INCLUDING BUT NOT LIMITED TO TOP & BOTTOM RAILS, RAZOR WIRES
- POST & FENCE
- EXISTING LIGHT POLE
- EXISTING SIGN
- NO DIGGING ZONE (TYP 1000 MM FROM BOTH SIDES OF MDS)
- ANTI-TUNNELING COMPACTED GRAVEL
- NEW ROAD (GRAVEL OR ASPHALT SEE CIVIL DWG)
- DOOR TAG & NO FOR TEMPORARY AND PERMANENT GATE

NOTES

- REFER TO CIVIL DRAWINGS FOR:
 - LOCATION OF UNDERGROUND UTILITIES. VERIFY LOCATIONS ON SITE.
 - NEW CONCRETE FOUNDATION ELEVATIONS
 - NEW ROAD WORK & TOPOGRAPHY
- VERIFY ALL EXISTING POSTS LOCATION ON SITE. MAXIMUM DISTANCE BETWEEN CENTRE OF ALL NEW POSTS IS 2400MM. REFER TO SPECIFICATION.
- SEE DRAWINGS 605 TO 608 FOR TYPICAL TEMPORARY INNER AND OUTER SECURITY FENCING PLANS, ELEVATIONS AND SECTIONS

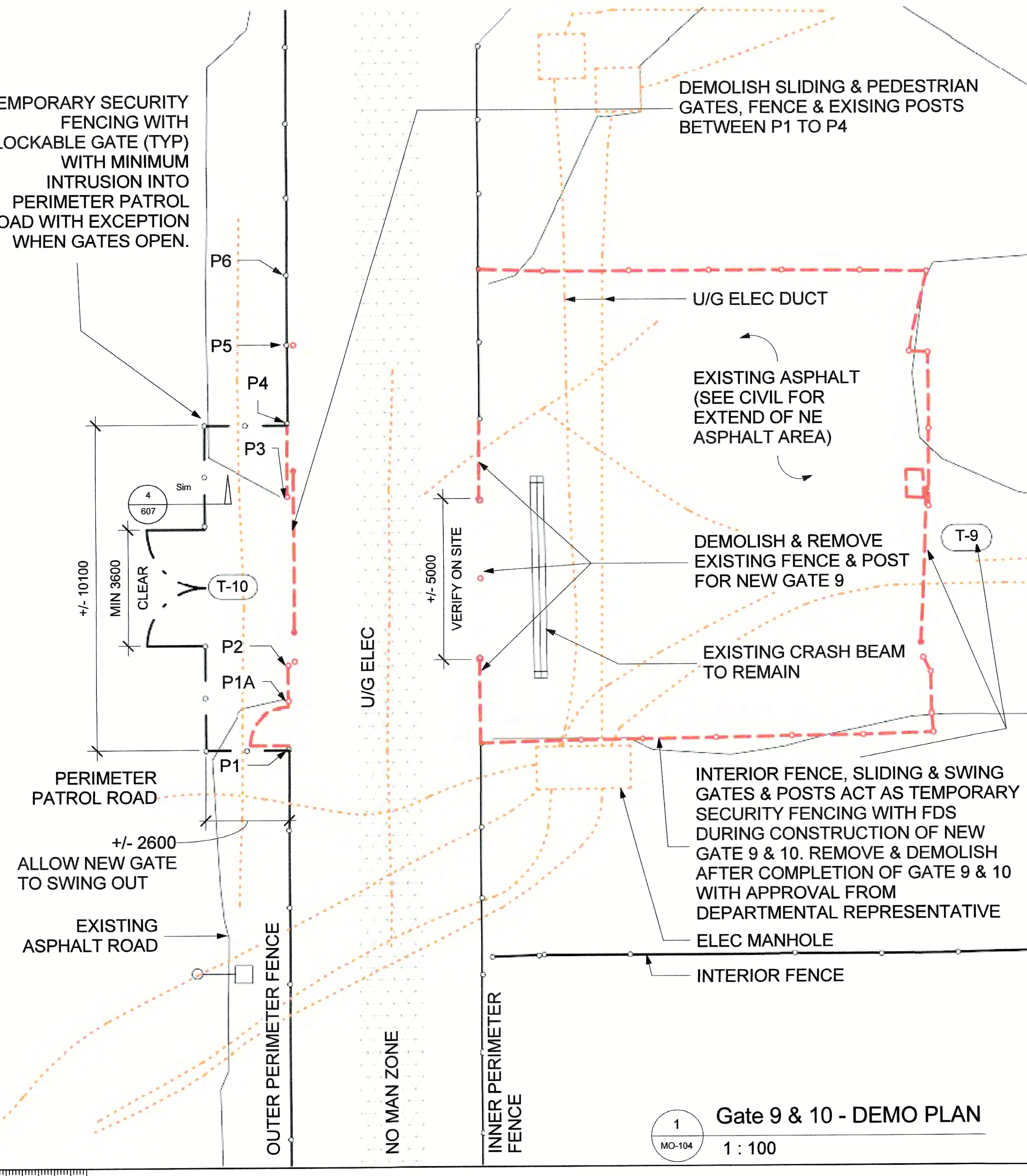
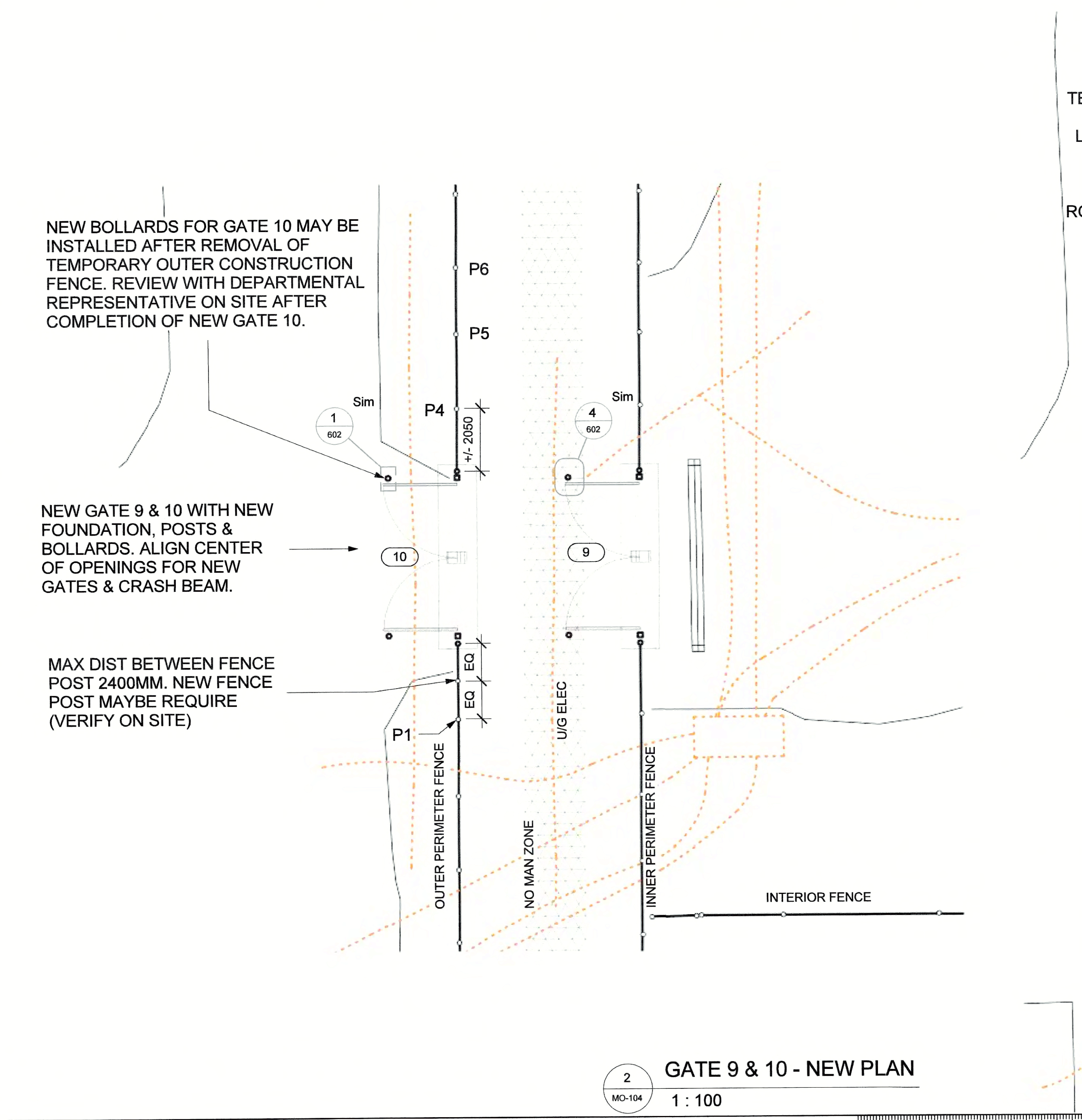


3 KEY PLAN - MO
MO-104 1 : 5000

TEMPORARY OUTER CONSTRUCTION FENCE WITH LOCKABLE GATE (TYP) AND CLEAR FROM PERIMETER PATROL ROAD WITH EXCEPTION WHEN GATES OPEN.

GATE SCHEDULE - MOUNTAIN (MO)

Phase	Location	Gate No.	Gate Type	New Clear W	New Clear H	Existing Opening (W)	Existing Opening (H)
2	MO	7	M	2600	2827	3670	4430
2	MO	8	M	2600	2827	3100	4350
2	MO	9	E	5000	4627		
2	MO	10	E	5000	4627	5000	



Revision/Revision	Description/Description	Date/Date
2	ISSUE FOR TENDER	2020/11/06
1	ISSUE FOR TENDER REVIEW	JUN 22, 2020

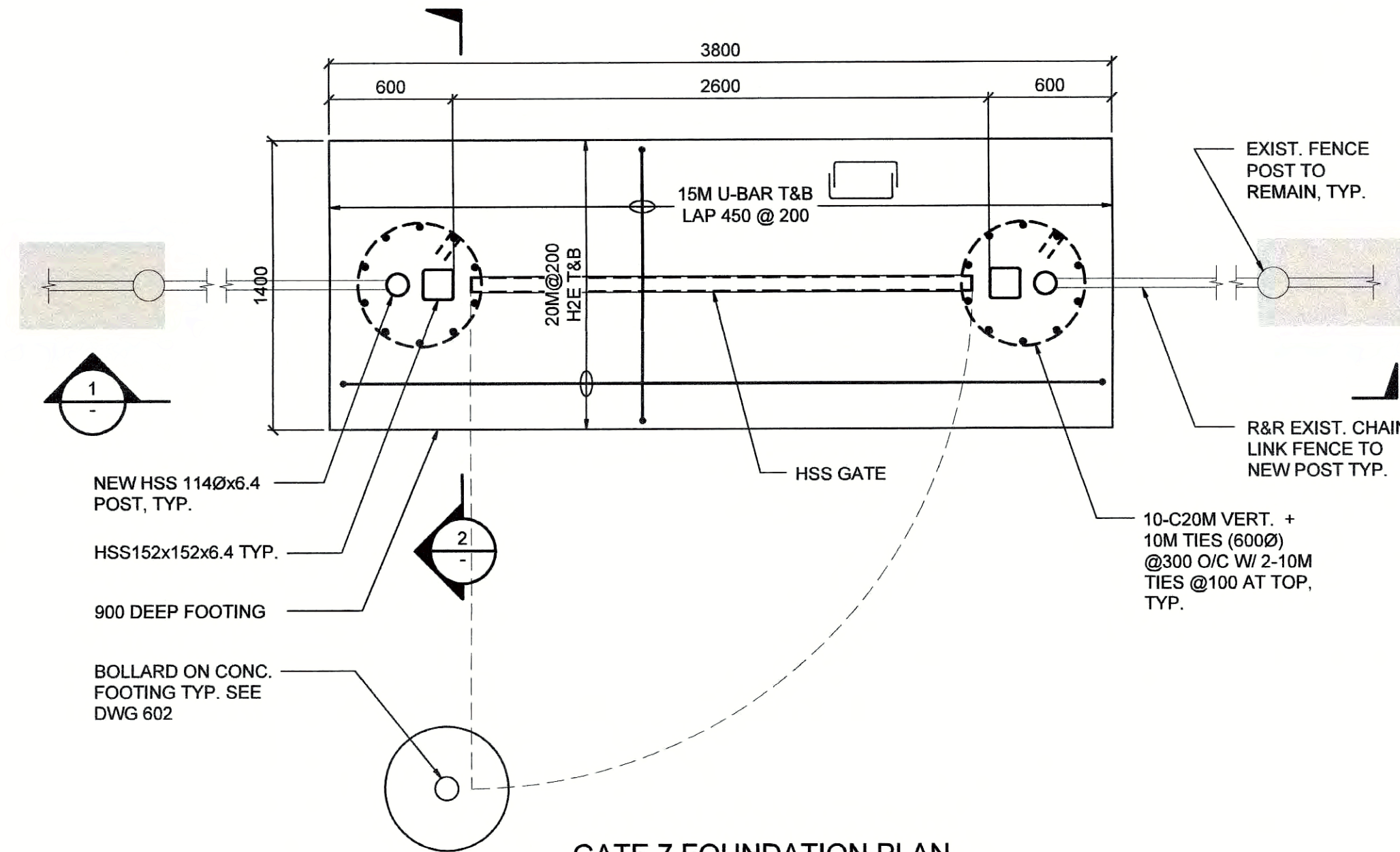
Client/Client: CORRECTIONAL SERVICE CANADA

Project title/Titre du projet: PACIFIC REGION PERIMETER FENCE UPGRADES

Designed by/Concept par: DD
 Drawn by/Dessine par: DD
 PWGSC Project Manager/Administrateur de Projets TPSGC: DARYL SINCLAIR / TONY TANG
 PWGSC, Regional Manager, Architectural and Engineering Services/Gestionnaire régionale, Services d'architectural et de génie, TPSGC: PREETIPAL PAUL

Drawing title/Titre du dessin: MOUNTAIN INSTITUTION GATE 9 & 10 - DEMOLITION & NEW PLANS & PHOTO

Project No./No. du projet: R.071529.001	Sheet/Feuille: MO-104	Revision no./La Révision no.:
---	-----------------------	-------------------------------



GATE 7 FOUNDATION PLAN
1:25

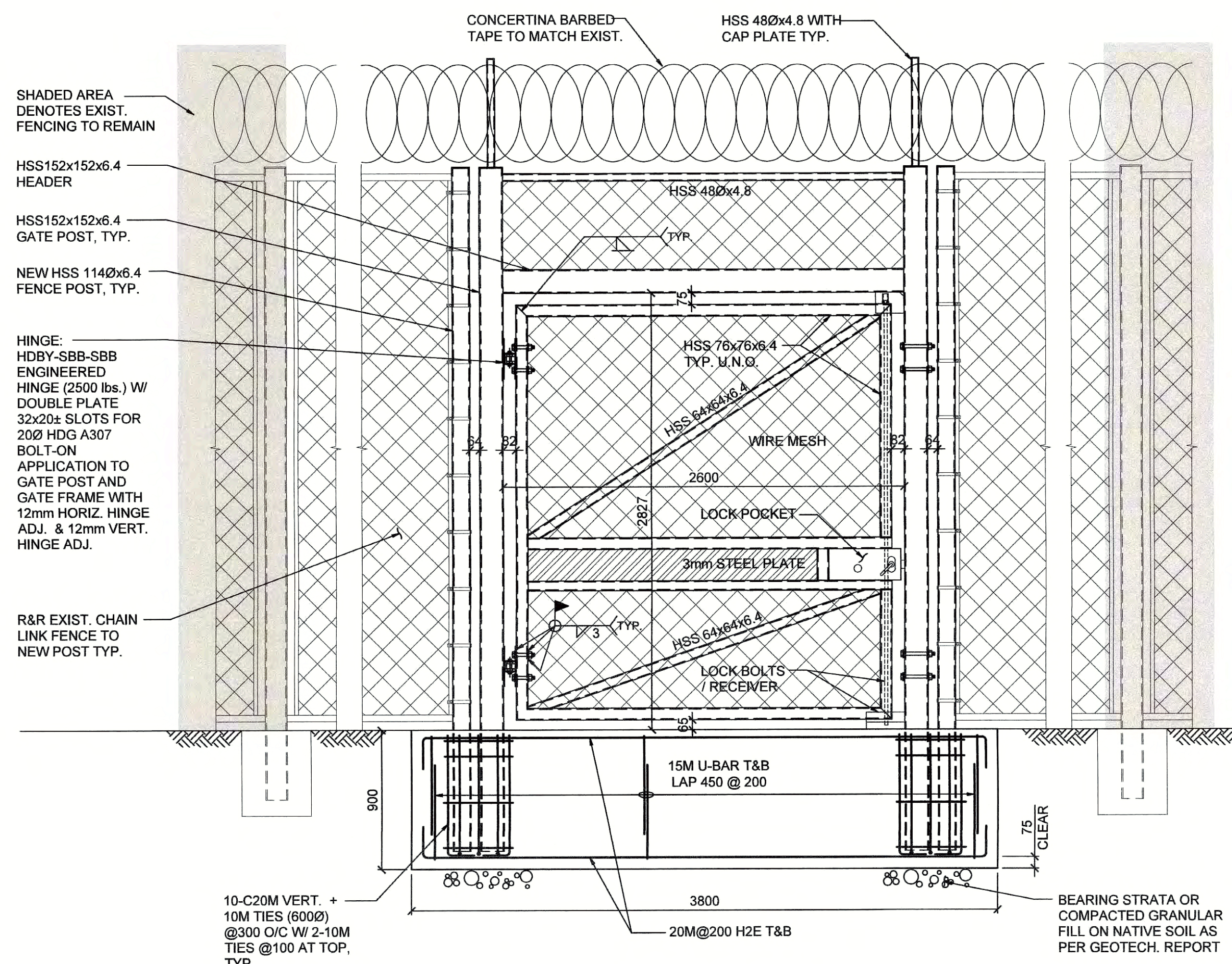
ASSUME SOIL BEARING:
SLS 75 kPa
ULS 120 kPa

CALL DESIGNATED GEOTECH. CONSULTANT FOR SOIL BEARING CONFIRMATION
SUBGRADE MODULUS = 8000 kN/m²

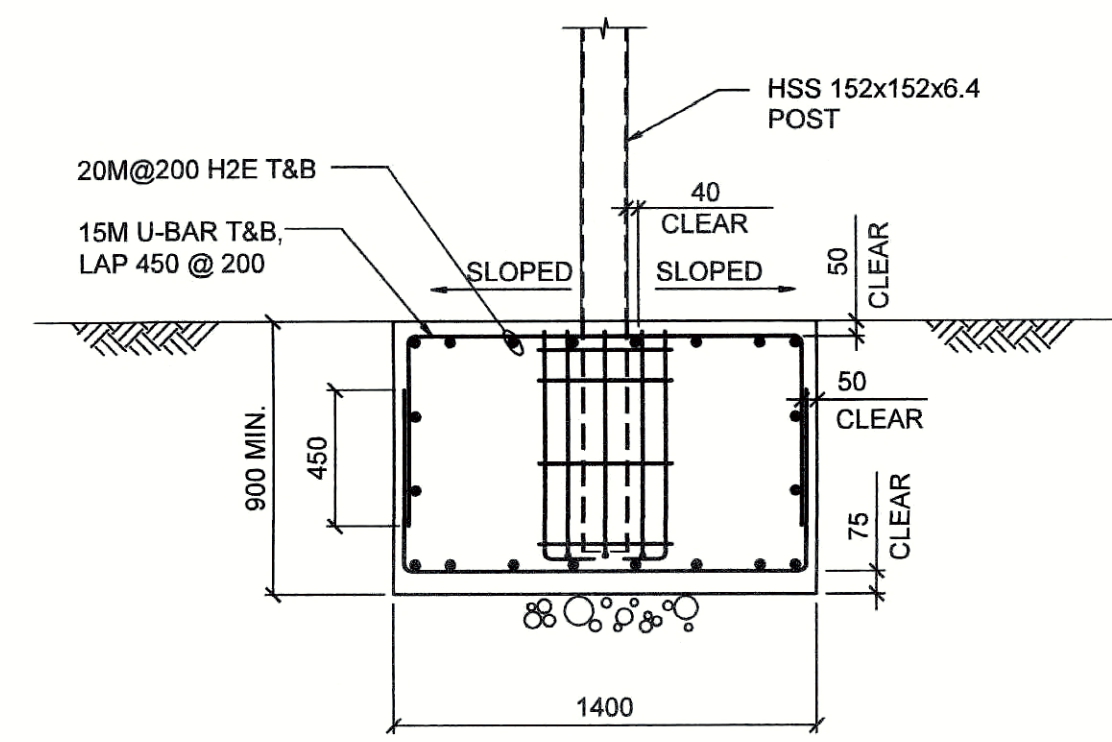
CONTRACTOR SHALL PAY FOR THE ABOVE SERVICES

CONCRETE GRADE:
f_c' = 40 MPa (CATEGORY C1)

- NOTES:
- ALL HSS MEMBERS, BOLTS & NUTS AND ACCESSORIES SHALL BE HOT DIPPED GALVANIZED TO 600 g/m², "HDG" DENOTES HOT DIPPED GALVANIZED.
 - TOUCH UP ALL FIELD WELDED AREA WITH APPROVED ZINC RICH PAINT.
 - SEE ARCH. FOR GATE LOCK & GATE BOTTOM BOLT RECEIVER DETAILS
 - SEE ARCH. DRAWING 601 TO 603 FOR GATE DIMENSIONS & DETAILS.



SECTION 1
1:25



SECTION 2
1:25

Revision/Revision	Description/Description	Date/Date
2	ISSUE FOR TENDER	2020/11/06
1	ISSUE FOR TENDER REVIEW	2020/06/30

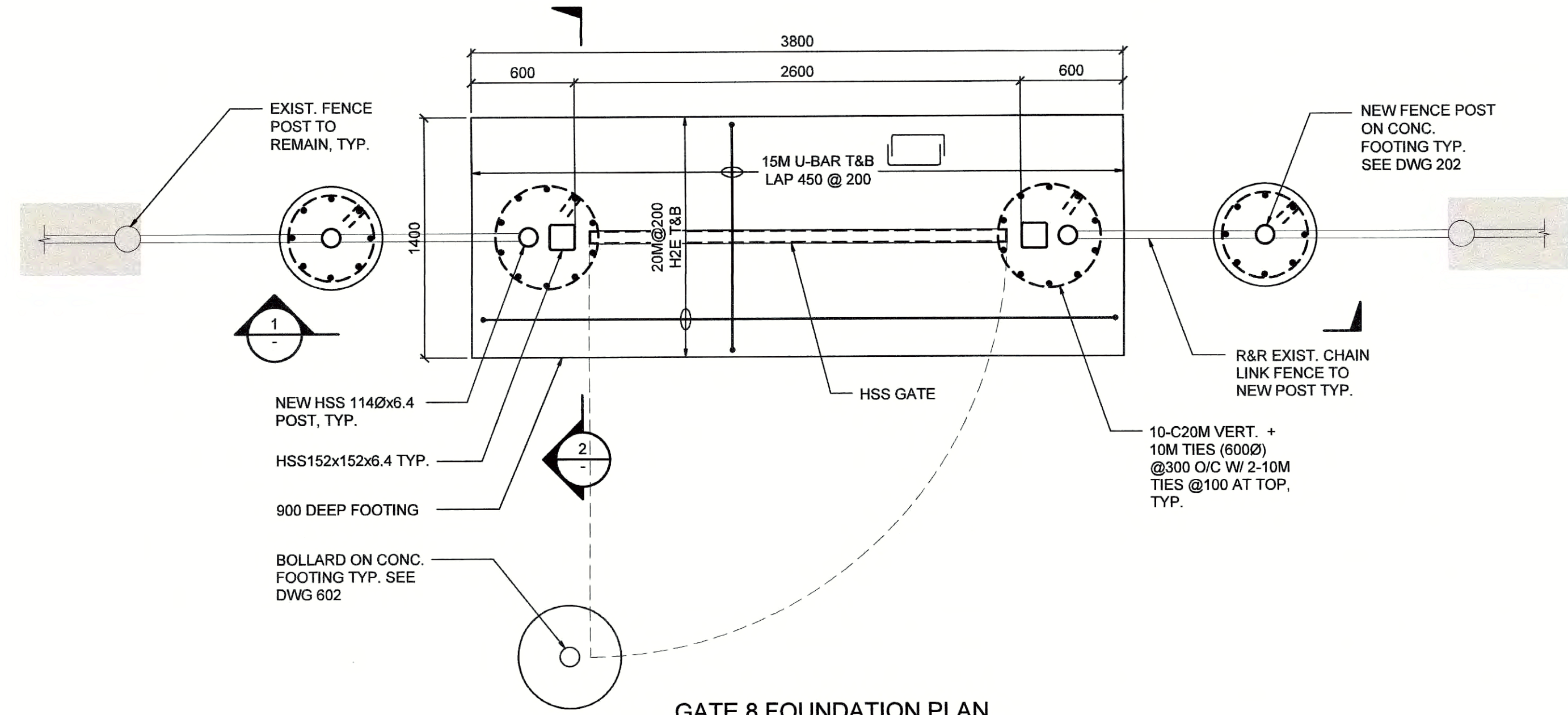
CORRECTIONAL SERVICE CANADA

PACIFIC REGION PERIMETER FENCE UPGRADES

MOUNTAIN INSTITUTION GATE 7 PLAN & DETAILS

Project No./No. du projet	Sheet/Feuille	Revision no./No. de révision
R.071529.001	MO-S201	3





ASSUME SOIL BEARING:
 SLS 75 kPa
 ULS 120 kPa

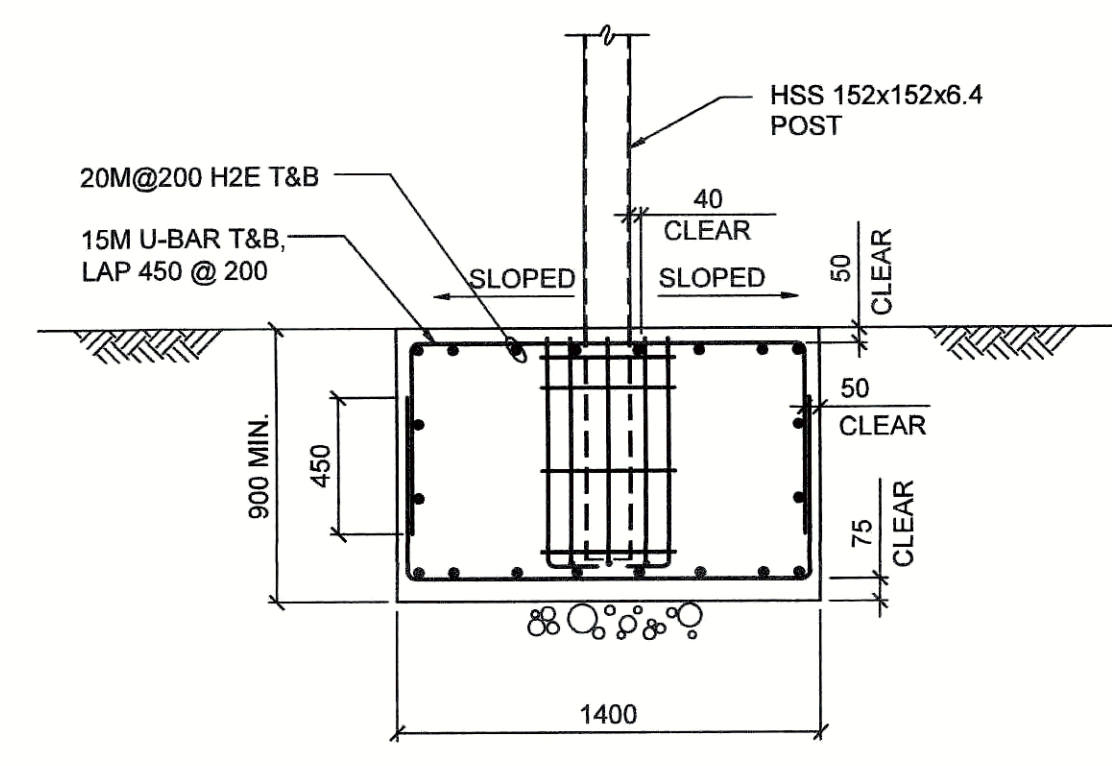
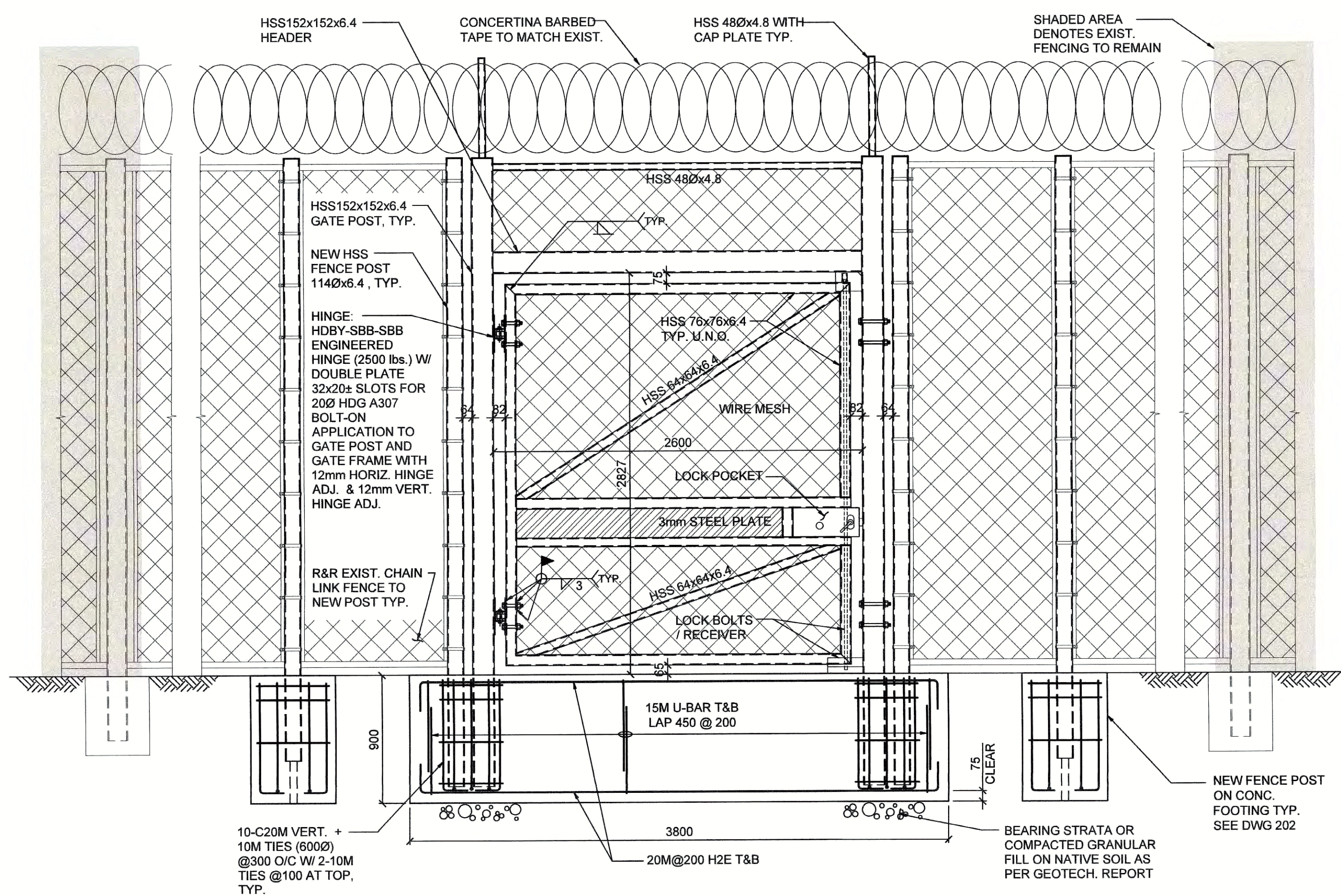
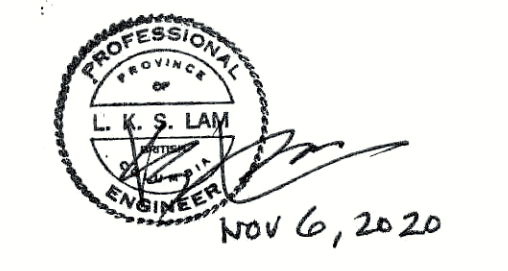
CALL DESIGNATED GEOTECH. CONSULTANT FOR SOIL BEARING CONFIRMATION
 SUBGRADE MODULUS = 8000 kN/m³

CONTRACTOR SHALL PAY FOR THE ABOVE SERVICES

CONCRETE GRADE:
 f_c' = 40 MPa (CATEGORY C1)

- NOTES:
- ALL HSS MEMBERS, BOLTS & NUTS AND ACCESSORIES SHALL BE HOT DIPPED GALVANIZED TO 600 g/m². "HDG" DENOTES HOT DIPPED GALVANIZED.
 - TOUCH UP ALL FIELD WELDED AREA WITH APPROVED ZINC RICH PAINT.
 - SEE ARCH. FOR GATE LOCK & GATE BOTTOM BOLT RECEIVER DETAILS
 - SEE ARCH. DRAWING 601 TO 603 FOR GATE DIMENSIONS & DETAILS.

GATE 8 FOUNDATION PLAN
 1:25



SECTION 1
 1:25

SECTION 2
 1:25

Revision/Revision	Description/Description	Date/Date
2	ISSUE FOR TENDER	2020/11/06
1	ISSUE FOR TENDER REVIEW	2020/06/30

CORRECTIONAL SERVICE CANADA

PACIFIC REGION PERIMETER FENCE UPGRADES

Consultant Approval Box Only

Designed by/Concept par: L.L.

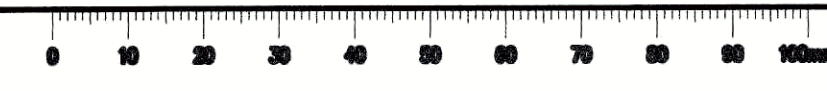
Drawn by/Dessine par: CAD

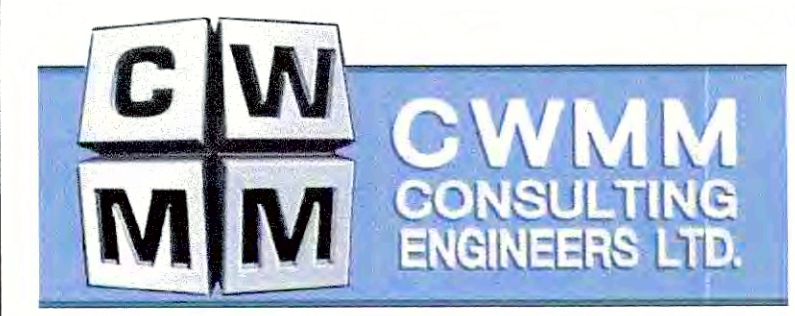
PWGSC Project Manager/Administrateur de Projets TPSGC: DARYL SINCLAIR / TONY TANG

CWMM Consulting Engineers Ltd. 2020/06/30
 Preetipal Paul

MOUNTAIN INSTITUTION GATE 8 PLAN & DETAILS

Project No./No. du projet	Sheet/Feuille	Revision no./La Révision no.
R.071529.001	MO-S202	3





ASSUME SOIL BEARING:
SLS 75 kPa
ULS 120 kPa

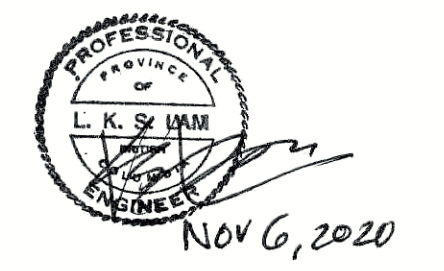
CALL DESIGNATED GEOTECH. CONSULTANT FOR SOIL BEARING CONFIRMATION
SUBGRADE MODULUS = 8000 kN/m²

CONTRACTOR SHALL PAY FOR THE ABOVE SERVICES

CONCRETE GRADE:
f_c' = 40 MPa (CATEGORY C1)

- NOTES:
- ALL HSS MEMBERS, BOLTS & NUTS AND ACCESSORIES SHALL BE HOT DIPPED GALVANIZED TO 600 g/m². "HDG" DENOTES HOT DIPPED GALVANIZED.
 - TOUCH UP ALL FIELD WELDED AREA WITH APPROVED ZINC RICH PAINT.
 - SEE ARCH. FOR GATE LOCK & GATE BOTTOM BOLT RECEIVER DETAILS
SEE ARCH. DRAWING 601 TO 603 FOR GATE DIMENSIONS & DETAILS.

- NOTES FOR UNDERGROUND CONDUIT:
- 50 THK. COMPRESSIBLE MATERIAL INFILL AROUND CONDUIT & CONC. ENCASE DUCT.
 - SEE ELECTRICAL DRAWING FOR ADDITIONAL REQUIREMENT.
 - FOR EXIST. ELECTRICAL CONDUIT LARGER THAN 75mmØ AND CONCRETE ENCASED DUCTS, CONTACT STRUCTURAL ENGINEER IMMEDIATELY AFTER EXPOSING THE EXISTING ELECTRICAL UTILITY FOR REVIEW AND APPROVAL PRIOR TO REINFORCEMENT AND FORMWORK PLACEMENT.
 - ADDITIONAL REINFORCEMENT REQUIREMENT WILL BE REQUIRED AFTER CONFIRMATION OF UNDERGROUND UTILITY SIZE.



Revision/	Description/Description	Date/Date
2	ISSUE FOR TENDER	2020/11/06
1	ISSUE FOR TENDER REVIEW	2020/06/30

CORRECTIONAL SERVICE CANADA

PACIFIC REGION PERIMETER FENCE UPGRADES

Consultant Approval Box Only

Designed by/Concept par
LL

Drawn by/Dessiné par
CAD

PWGSC Project Manager/Administrateur de Projets TPSGC
DARYL SINCLAIR / TONY TANG

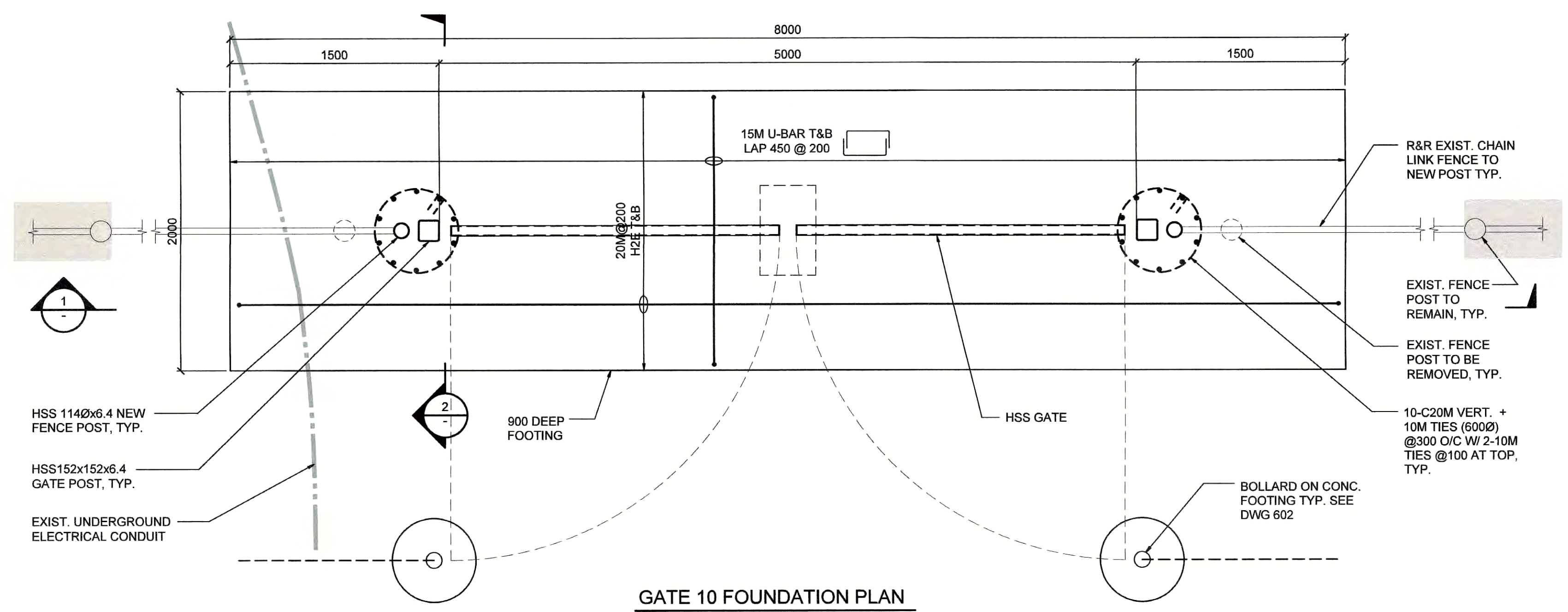
Professional Engineer, Services Consultants et Ingénierie Services / PREEETIPAL PAUL

Drawing title/Titre du dessin

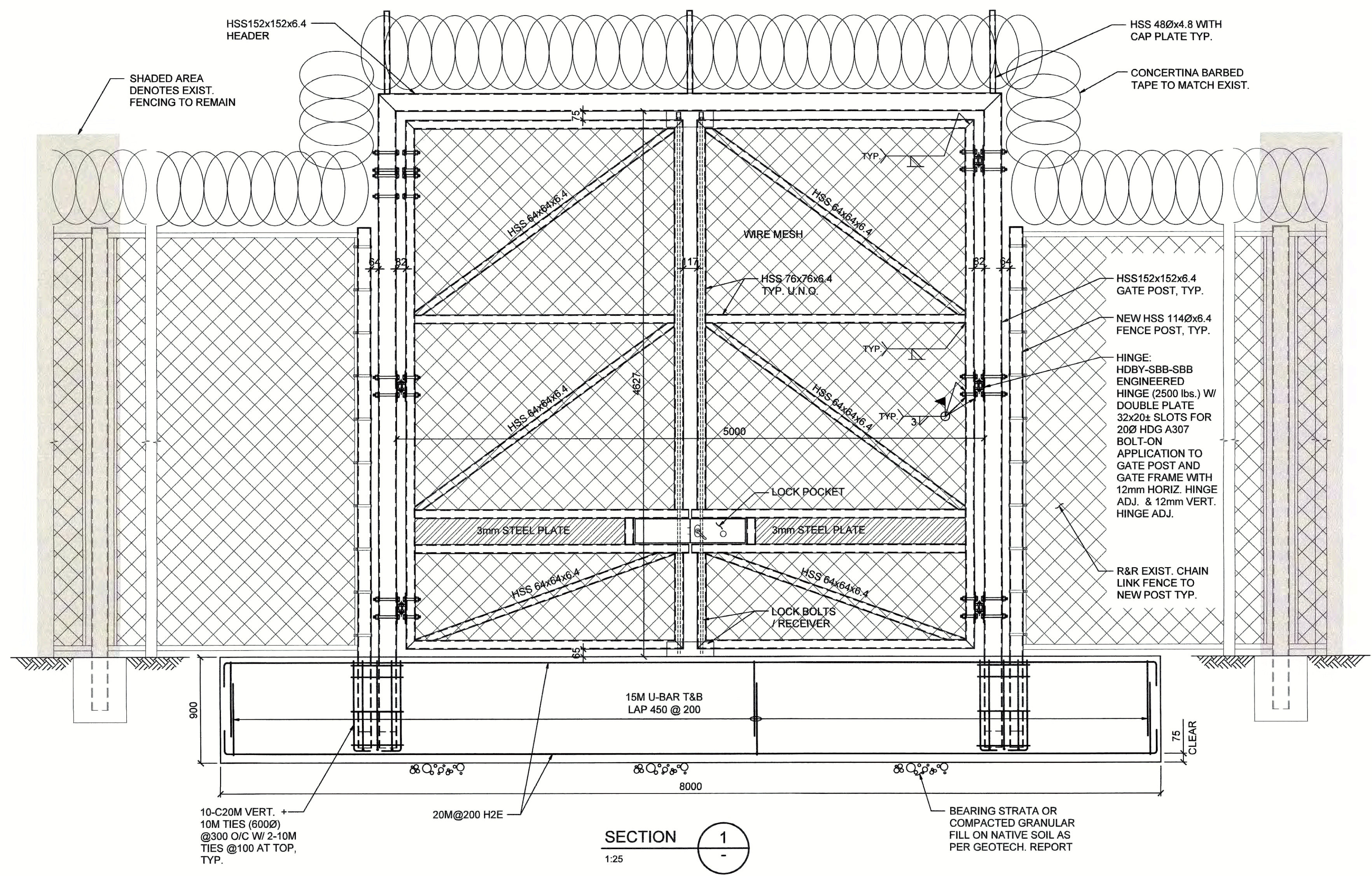
MOUNTAIN INSTITUTION GATE 10 PLAN & DETAILS

Project No./No. du projet	Sheet/Feuille	Section no./ La Division no.
R.071529.001	MO-S204	3

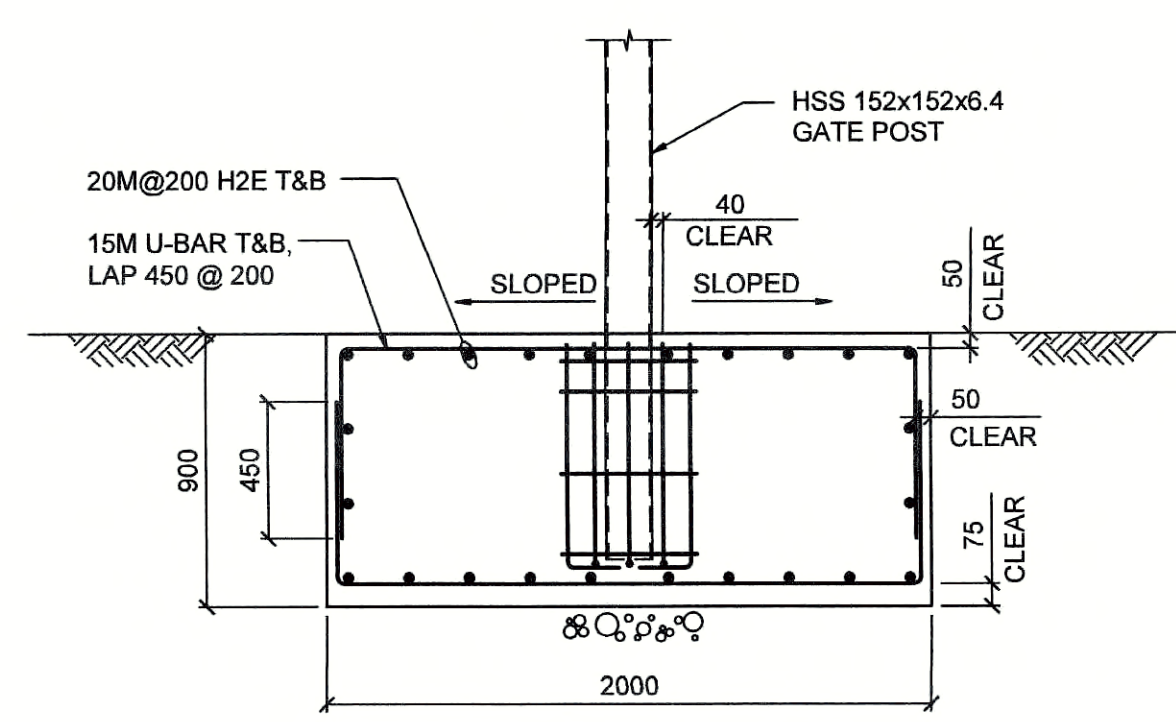
12920



GATE 10 FOUNDATION PLAN
1:25



SECTION 1
1:25



SECTION 2
1:25