



GENERAL DEMOLITION NOTES:
 1. REMOVE CEILING AS REQUIRED, COORDINATE EXTENT OF CEILING REMOVAL WITH MECHANICAL DRAWINGS AND RE-INSTATE.
 2. REMOVE AND RE-INSTATE EXIST. LIGHTING FIXTURES INTO CEILINGS.
 3. CONTRACTOR TO VERIFY DIMENSIONS FOR EXIST. SITE CONDITIONS & NOTIFY DEPARTMENT REPRESENTATIVE OF ANY CONFLICTS.
 4. SEE MECHANICAL DRAWINGS FOR EQUIPMENT LOCATIONS.
 5. SEE STRUCTURAL DRAWINGS FOR SUPPORT DETAILS. PROVIDE STRUCTURAL SCHEDULE-C.

DEMOLITION KEYNOTES:
 (RM) REMOVE EXIST. MECH. UNITS & DUCTS, INCL. FLASHINGS & CURBS. INFILL ROOF ASSEMBLY AFTER AHU REMOVAL. SEE STRUCT. PATCH & MAKE GOOD EXISTING ROOF ASSEMBLY & PIPE PENETRATION TO FOLLOW EXISTING ROOF SLOPE.
 (RF) REMOVE EXIST. EXHAUST FAN. EXIST. ROOF CURB TO BE RE-USED.
 (R) IF REQUIRED, REMOVE & RELOCATE EXIST. CAP SHEET TO ACCOMMODATE FOR MAINTENANCE CIRCULATION WALK.
 (RW) REMOVE EXIST. CONDENSING UNITS & CONCRETE PADS ON INSUL. INFILL EXIST. WALL OPENING WHERE PIPES REMOVED WITH ASSEMBLY TO MATCH ADJACENT EXIST. WALL.

DEMOLITION CEILING LEGEND:
 ACT-EX EXISTING ACOUSTICAL CEILING TILE TO REMAIN IN PLACE
 ACT-DEMO EXIST. ACOUSTICAL CEILING TILE TO BE REMOVED. SUSPENDED T-BAR GRID TO REMAIN AND TO BE RE-USED.
 GWB EXISTING GWB TO REMAIN
 MD EXISTING EXPOSED METAL DECK
 ES EXISTING EXPOSED TO STRUCTURE
 GWB-DEMO EXISTING GWB CEILING TO BE REMOVED
 SOLID HATCH DENOTES AREA NOT IN SCOPE

Revision/Revisión	Description/Description	Date/Date
0	ISSUED FOR TENDER	2020.09.14

Client/client

CORRECTIONAL SERVICE CANADA

Project title/Titre du projet
**MISSION MEDIUM INSTITUTION
 MISSION, BC**

**BUILDINGS A-M, A-W, A-P
 (ADMINISTRATION)
 HVAC REVITALIZATION**

Consultant Signature Box Only

Designed by/Concept par
CG

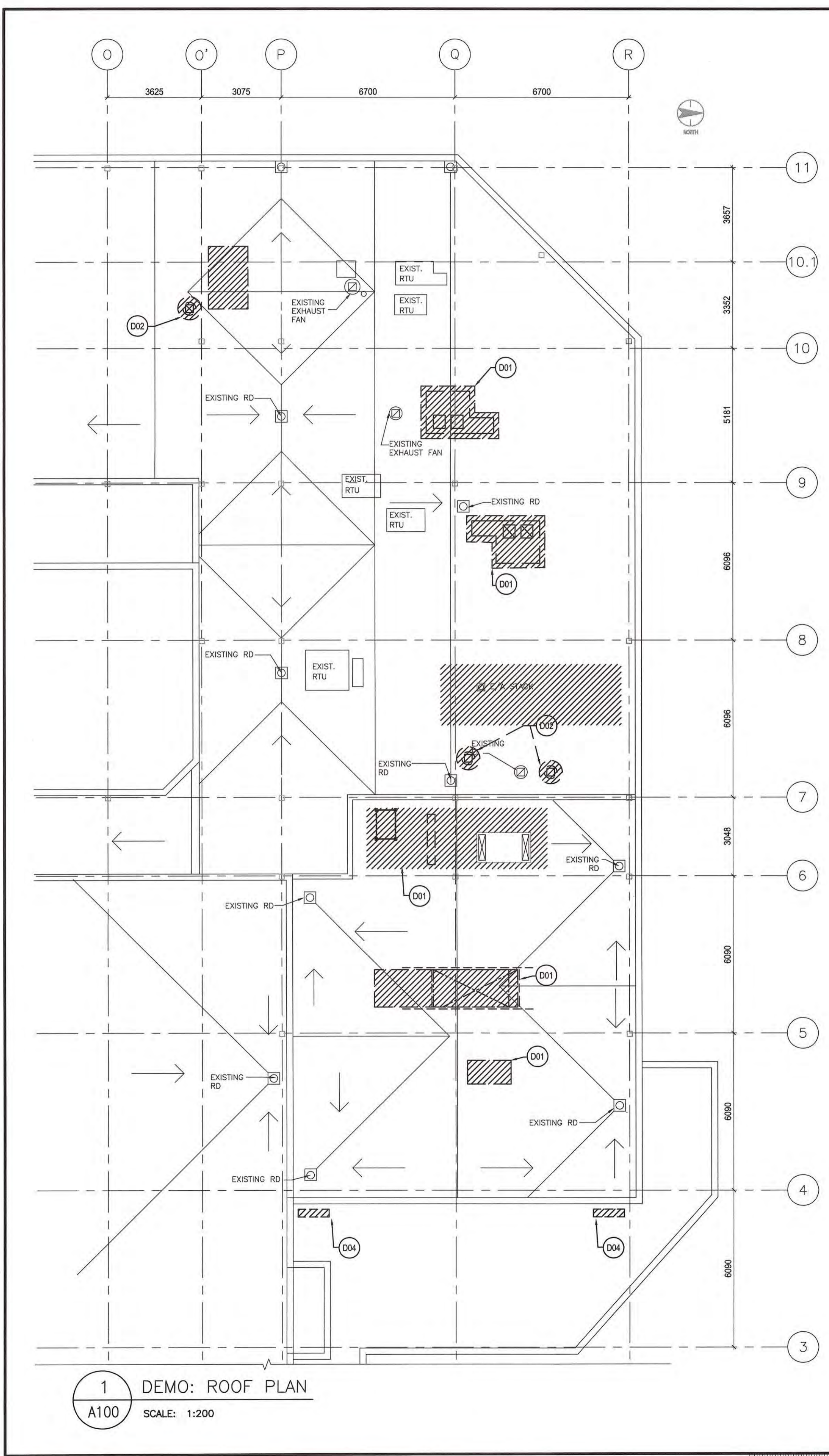
Drawn by/Dessiné par
RLB

PWSC Project Manager/Administrateur de Projets TPSGC
Jimmy Ng

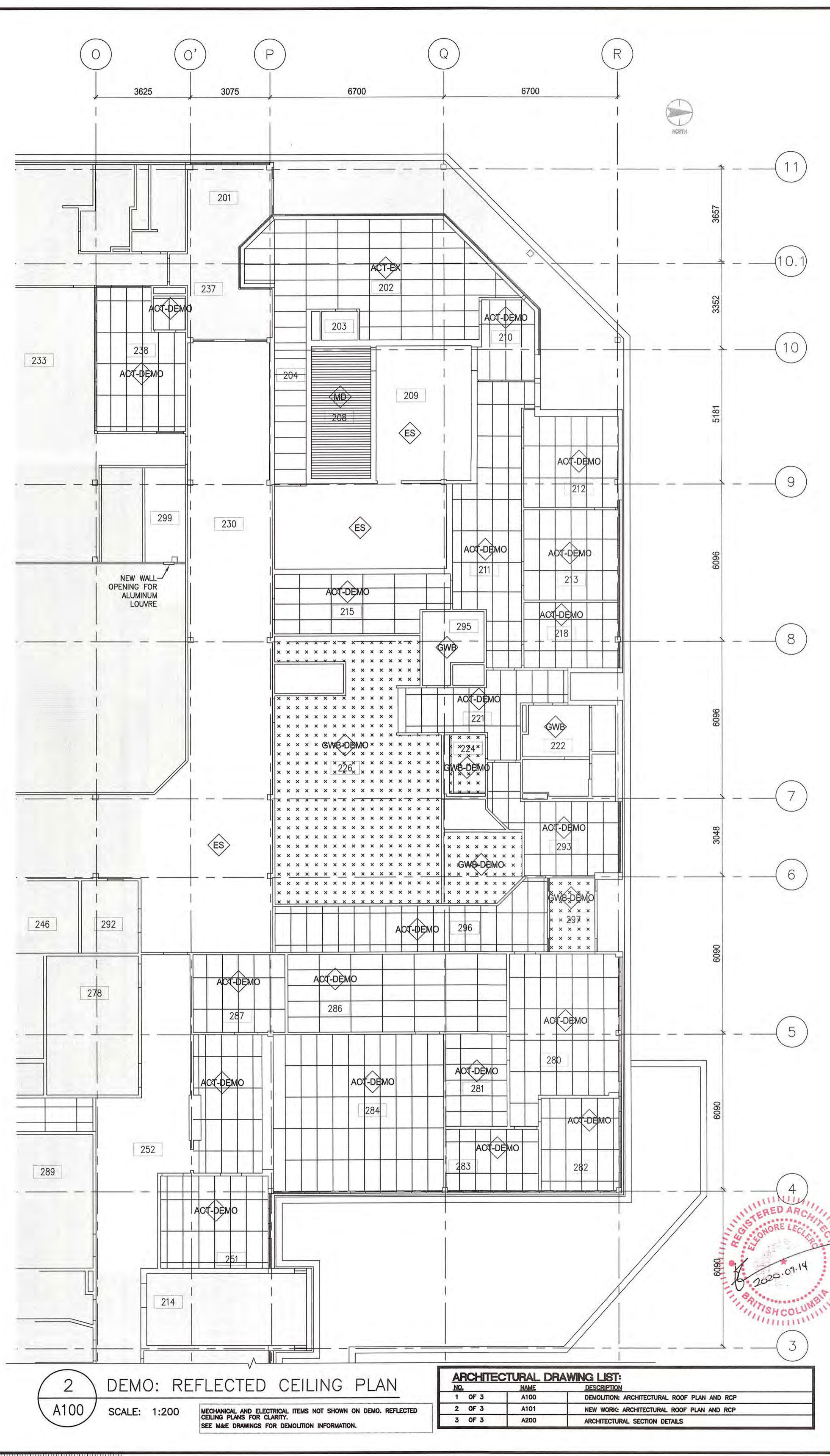
PWSC Regional Manager, Architectural and Engineering Services/
 Gestionnaire régionale, Services d'architectural et de génie, TPSGC
Preetpal Paul

Drawing title/Titre du dessin
 Architectural Demolition work:
 Roof and Reflected Ceiling Plan

Project No./No. du projet	Sheet/Feuille	Revision no./La Révision no.
R.082622.001	A100 1 of 3	0



1 DEMO: ROOF PLAN
 A100 SCALE: 1:200

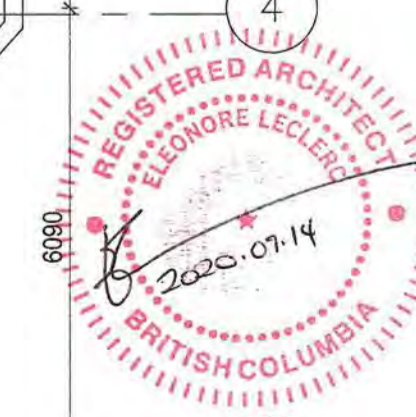


2 DEMO: REFLECTED CEILING PLAN
 A100 SCALE: 1:200

MECHANICAL AND ELECTRICAL ITEMS NOT SHOWN ON DEMO. REFLECTED CEILING PLANS FOR CLARITY. SEE MECH DRAWINGS FOR DEMOLITION INFORMATION.

ARCHITECTURAL DRAWING LIST:

NO.	NAME	DESCRIPTION
1 OF 3	A100	DEMOLITION: ARCHITECTURAL ROOF PLAN AND RCP
2 OF 3	A101	NEW WORK: ARCHITECTURAL ROOF PLAN AND RCP
3 OF 3	A200	ARCHITECTURAL SECTION DETAILS





- GENERAL NEW WORK NOTES:**
- CONTRACTOR TO PROVIDE CLOSE OUT DOCUMENTS:
 - RCABC ROOFING INSPECTIONS
 - LETTER OF ASSURANCE FOR CEILING SEISMIC DESIGN.
 - SEE MECHANICAL DRAWINGS FOR EQUIPMENT LOCATIONS.
 - SEE STRUCTURAL DRAWINGS FOR SUPPORT DETAILS. PROVIDE STRUCTURAL SCHEDULE-C.
 - NEW T-BAR CEILING SYSTEM TO BE RESTRAINED TO MEET SEISMIC REQUIREMENTS.
 - PROVIDE FIRE STOPPING AT ALL NEW WALLS AND CEILING PENETRATIONS AS REQUIRED.
 - REFER TO MECH. DRAWING M100 FOR CONSTRUCTION PHASING PLAN
 - REFER TO MECH. & ELECT. SERVICES. PROVIDE NEW ROOF NEW WORK KEYNOTES:
- NEW GALVANIZED STEEL PIPE SLEEVE FLASHING FOR MECH. & ELECT. SERVICES. PROVIDE NEW ROOF PENETRATION.
 - NEW EXHAUST FAN TO REPLACE EXIST. EXIST. CURBS TO BE REUSED. SEE MECH. DRAWINGS
 - NEW ROOFTOP ENERGY RECOVERY VENTILATOR AND NEW INSULATED SEISMIC ROOF CURB. REFER TO STRUCTURAL FOR NEW ROOF OPENING
 - NEW VRF UNIT. SEE MECH. AND STRUCT. DWG.

- NEW WORK LEGEND:**
- ACT-EX EXISTING ACOUSTICAL CEILING TILE (1220X610mm) TO REMAIN IN PLACE. HEIGHT: + 2400MM ABOVE FINISH FLOOR
 - ACT-NEW NEW ACOUSTICAL CEILING TILE TO MATCH EXISTING (1220X610mm). GRID TO BE REUSED. CEILING AND LIGHT FIXTURES SHALL BE REMOVED AND RE-INSTATED INTO ORIGINAL LOCATIONS. HEIGHT: TO MATCH EXISTING.
 - MD EXPOSED METAL DECK
 - ES EXPOSED TO STRUCTURE
 - GWB-NEW NEW ACOUSTICAL GWB CEILING, STC 50 HEIGHT: + 2400MM ABOVE FINISH FLOOR

Revision/Revisión	Description/Description	Date/Date
0	ISSUED FOR TENDER	2020.08.14

Client/client

CORRECTIONAL SERVICE CANADA

Project title/Titre du projet
MISSION MEDIUM INSTITUTION
MISSION, BC
BUILDINGS A-M, A-W, A-P
(ADMINISTRATION)
HVAC REVITALIZATION

Consultant Signature Box Only

Designed by/Concept par
CG

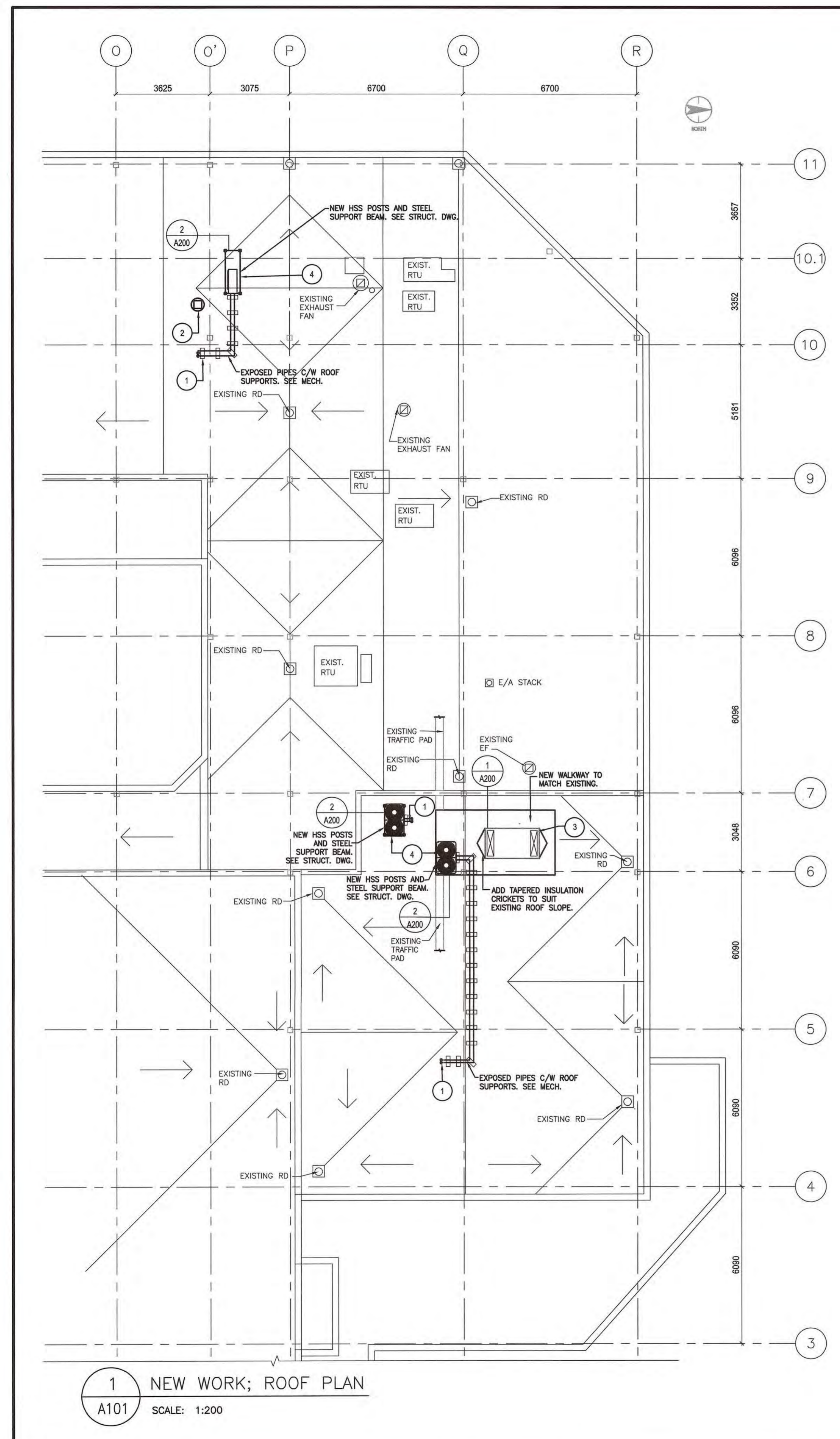
Drawn by/Dessiné par
RLB

PWSSC Project Manager/Administrateur de Projets TPSGC
Jimmy Ng

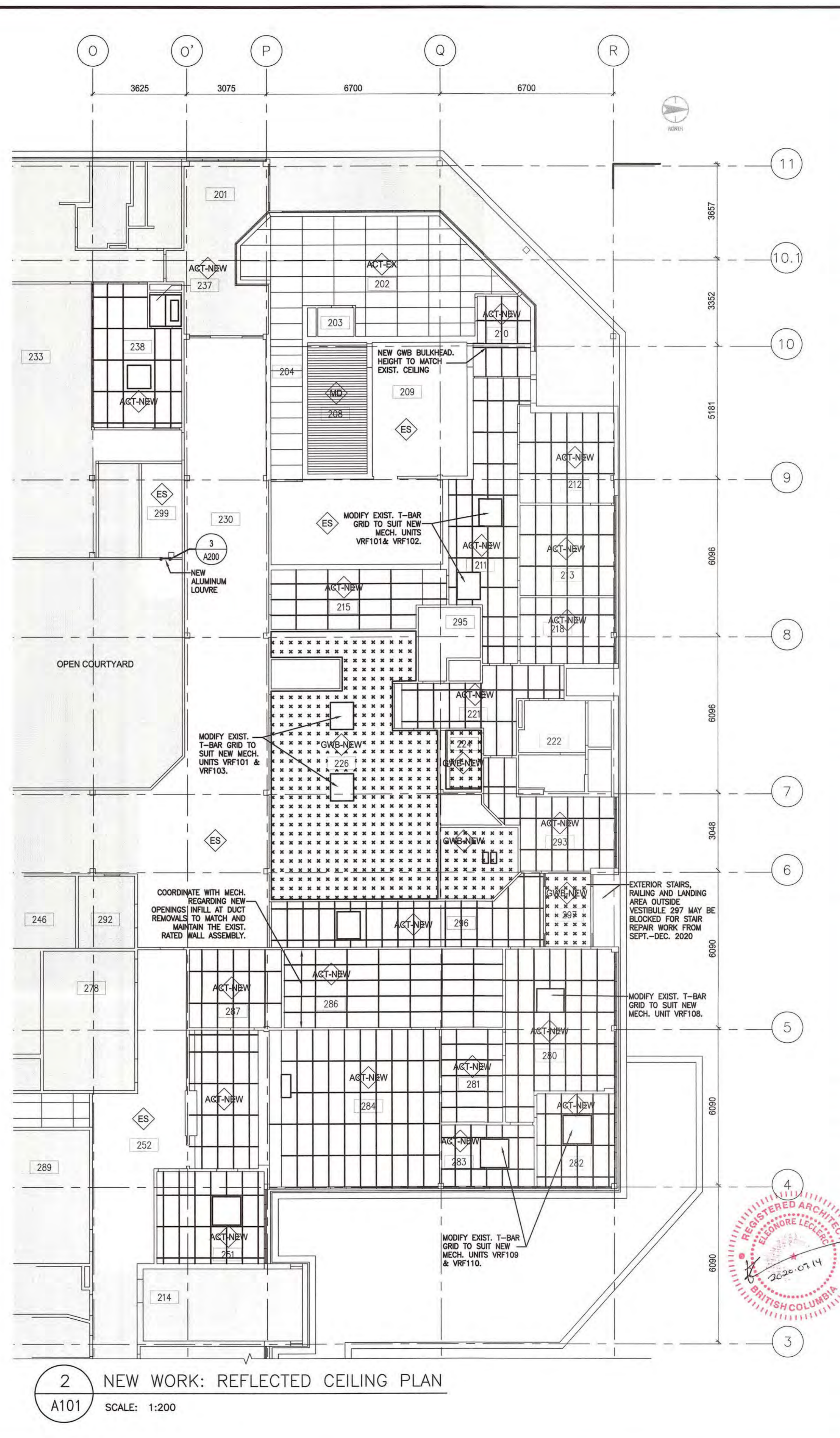
PWSSC Regional Manager, Architectural and Engineering Services/
 Gestionnaire régionale, Services d'architecture et de génie, TPSGC
Preetpal Paul

Drawing title/Titre du dessin
 Architectural
 New Work:
 Roof and Reflected Ceiling Plan

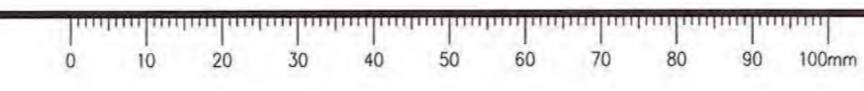
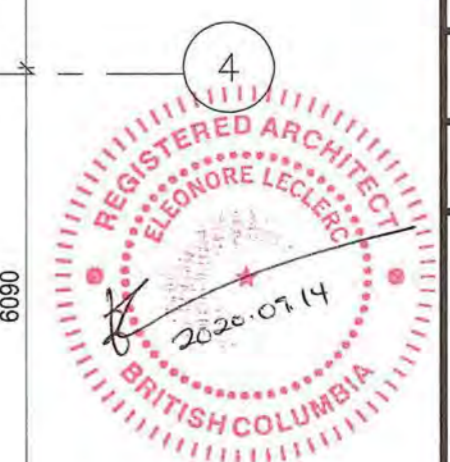
Project No./No. du projet R.082622.001	Sheet/Feuille A101 2 OF 3	Revision no./ La Révision no. 0
--	--	--

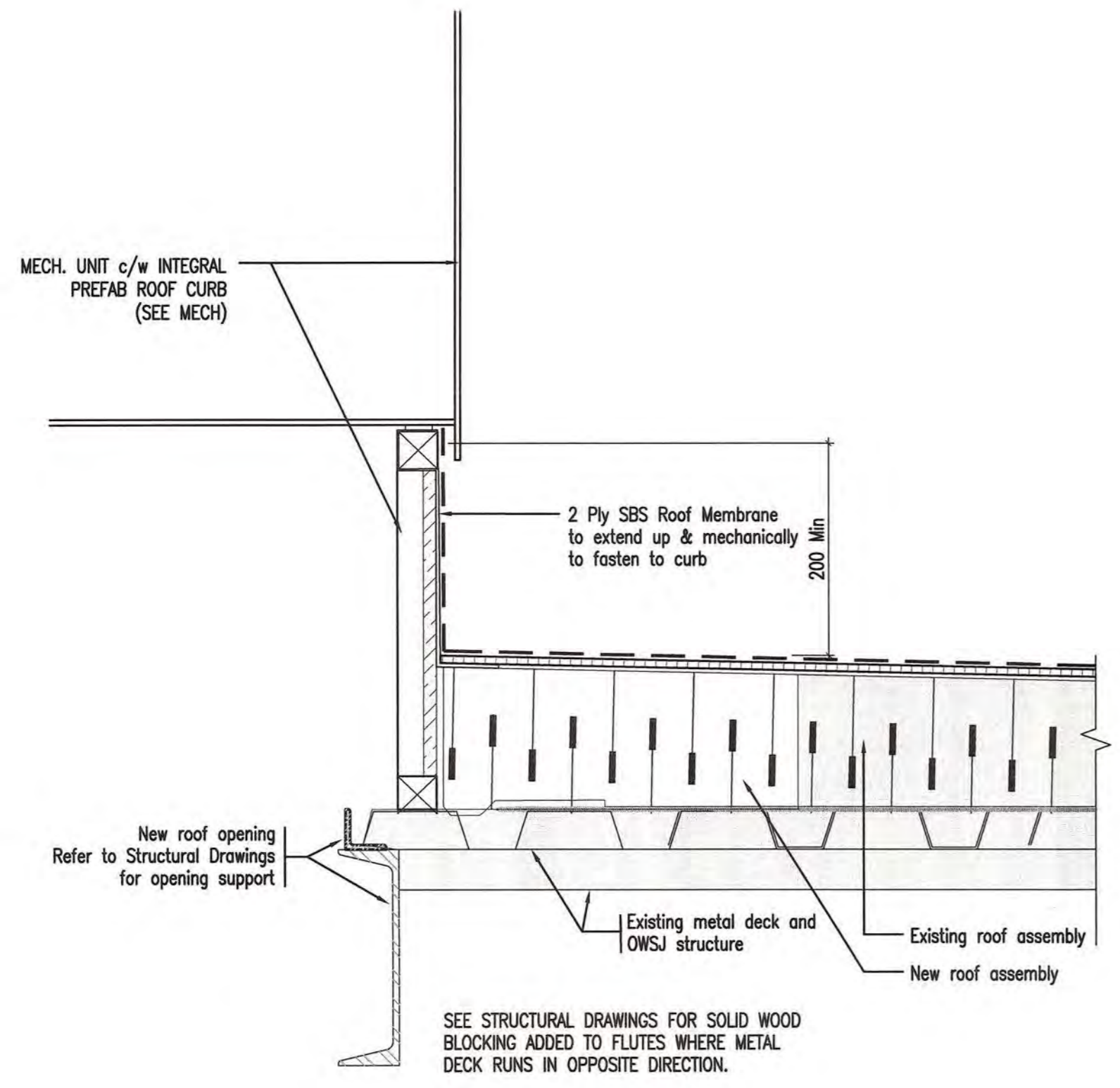


1 NEW WORK; ROOF PLAN
 A101 SCALE: 1:200

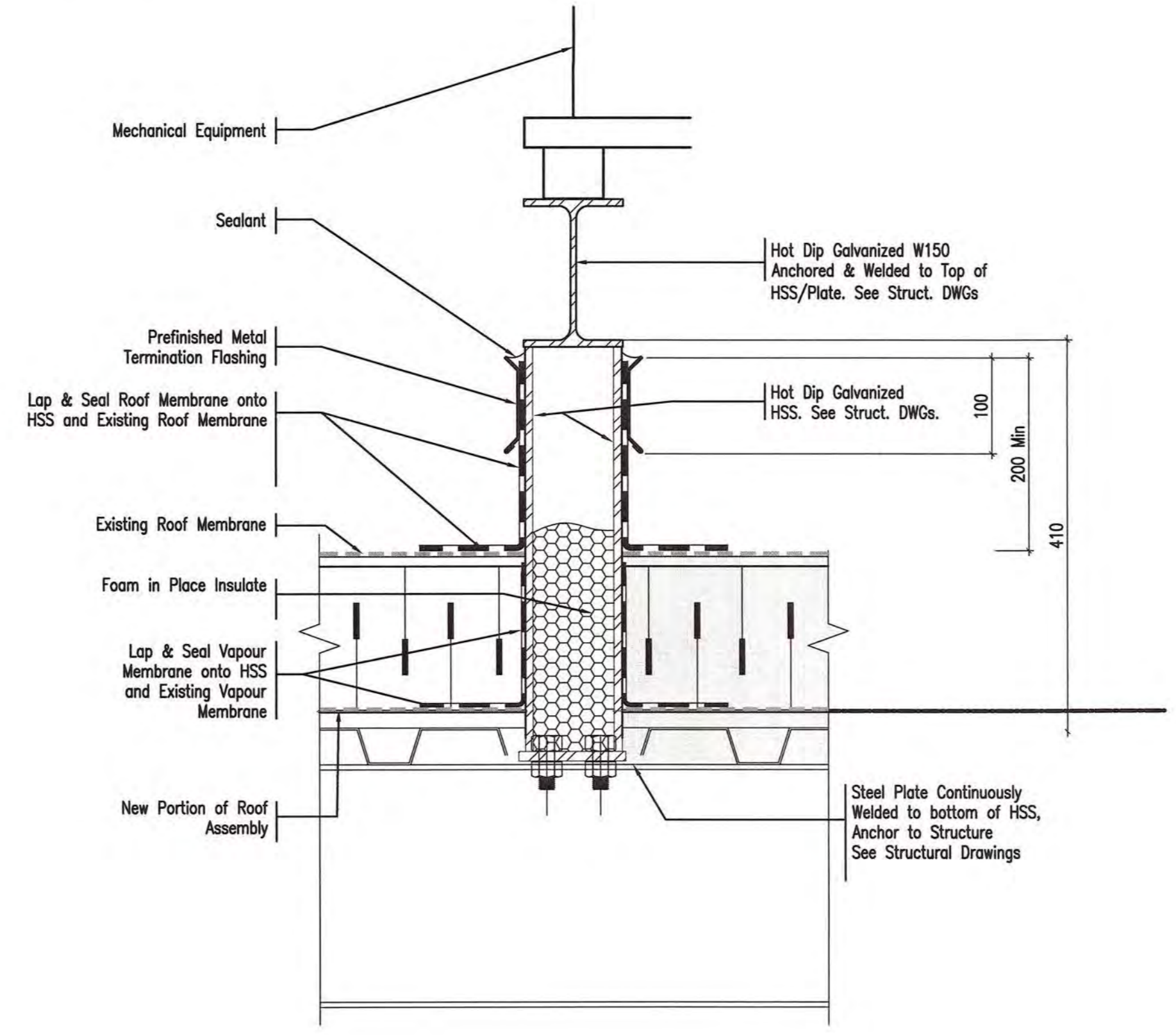


2 NEW WORK: REFLECTED CEILING PLAN
 A101 SCALE: 1:200

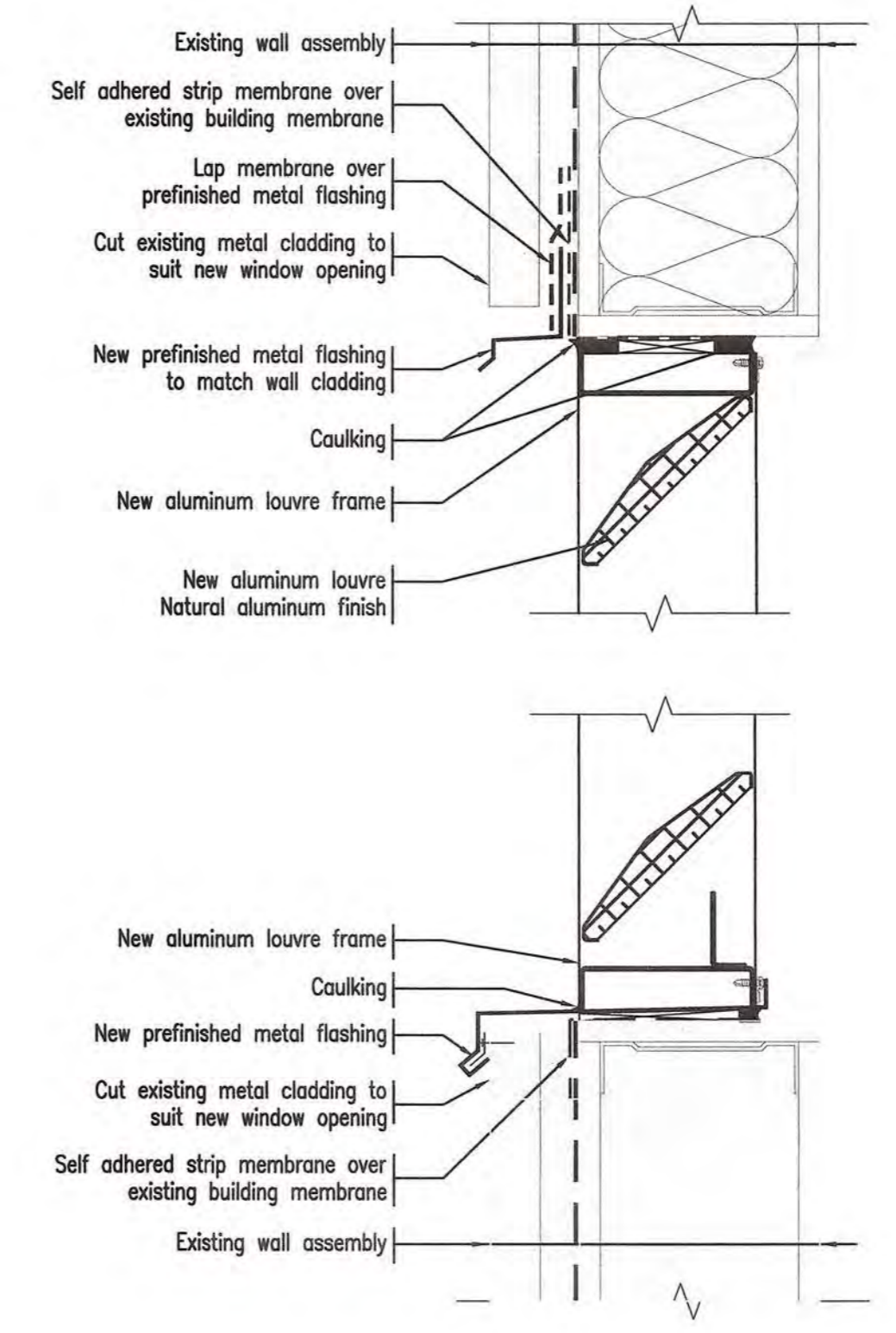




1 MAKE UP AIR CURB DETAIL
A200 SCALE: 1:5



2 RAISED SUPPORT FRAME POST PENETRATION DETAIL
A200 SCALE: 1:5



3 LOUVRE HEAD & SILL SECTION DETAILS
A200 SCALE: 1:5

Legend:
Solid Hatch denotes Existing

0	ISSUED FOR TENDER	2020.06.14
Revision/Revisión	Description/Description	Date/Date

Client/client

CORRECTIONAL SERVICE CANADA

Project title/Titre du projet
MISSION MEDIUM INSTITUTION MISSION, BC
BUILDINGS A-M, A-W, A-P (ADMINISTRATION) HVAC REVITALIZATION

Consultant Signature Box Only

Designed by/Concept par
CG

Drawn by/Dessine par
RLB

PWGSC Project Manager/Administrateur de Projets TPSGC
Jimmy Ng

PWGSC Regional Manager, Architectural and Engineering Services/Gestionnaire régionale, Services d'architecture et de génie, TPSGC
Preetpal Paul

Drawing title/Titre du dessin

Architectural Roof Section Details

Project No./No. du projet R.082622.001	Sheet/Feuille A200 3 OF 3	Revision no./La Révision no. 0
--	--	--

