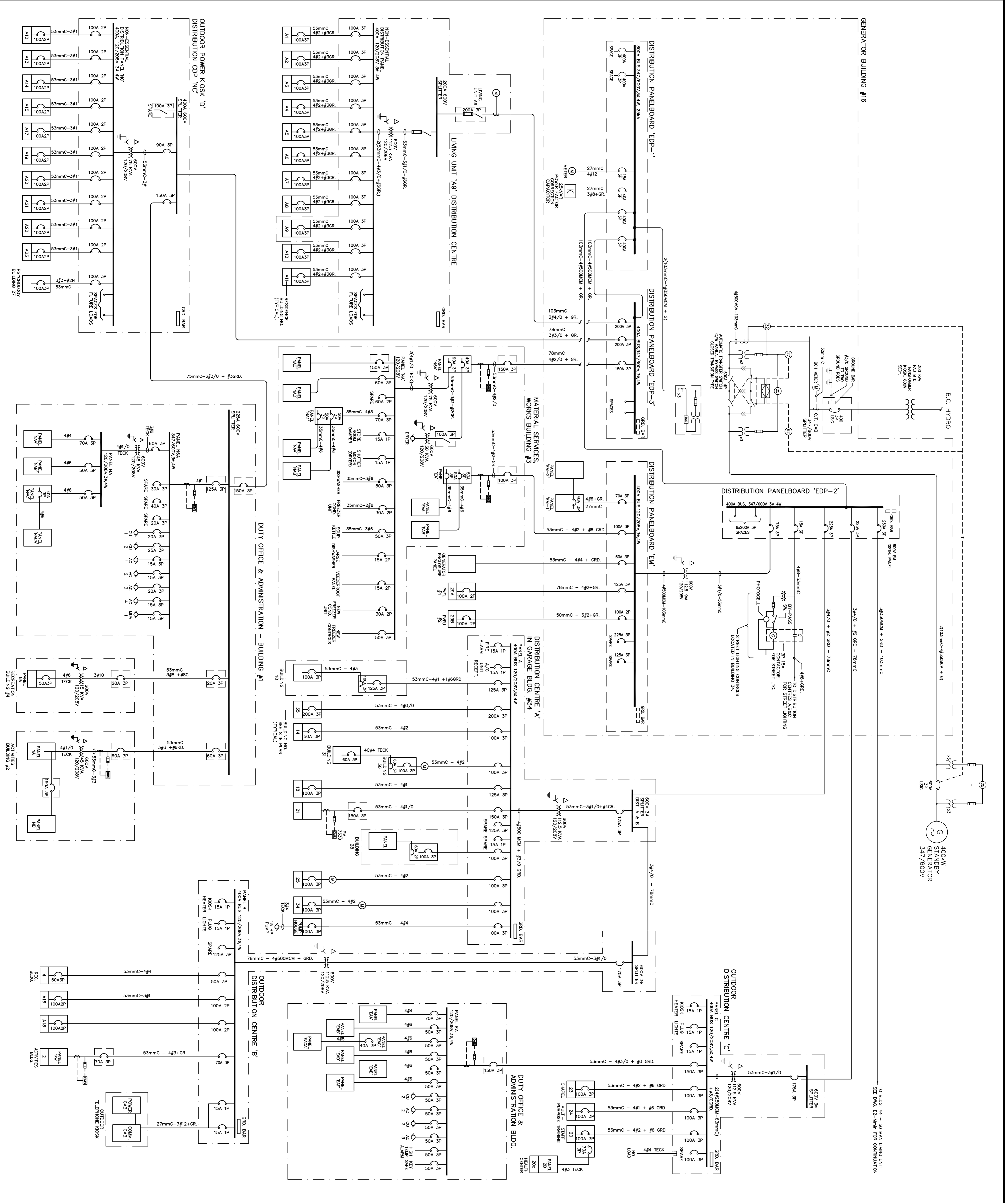
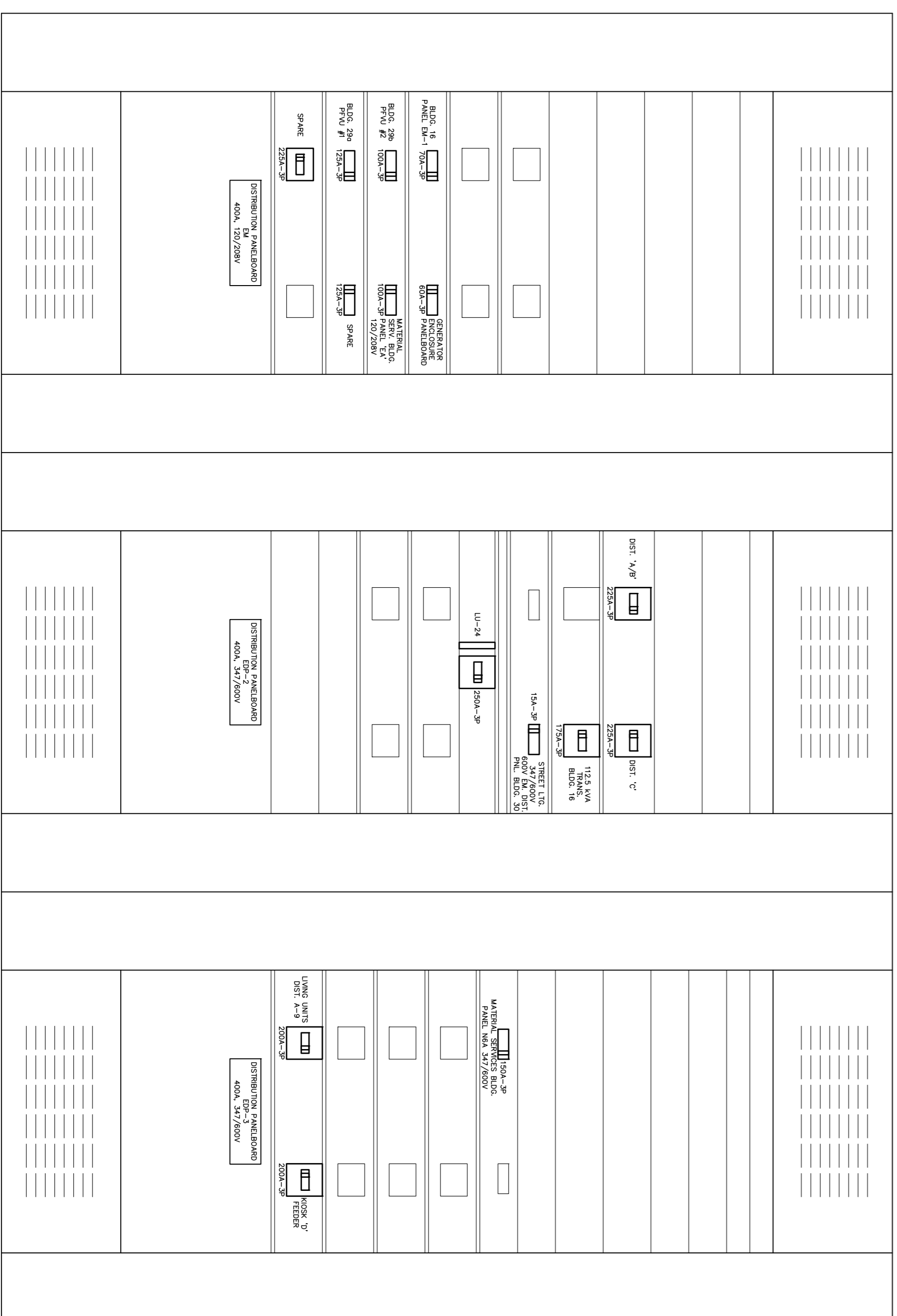
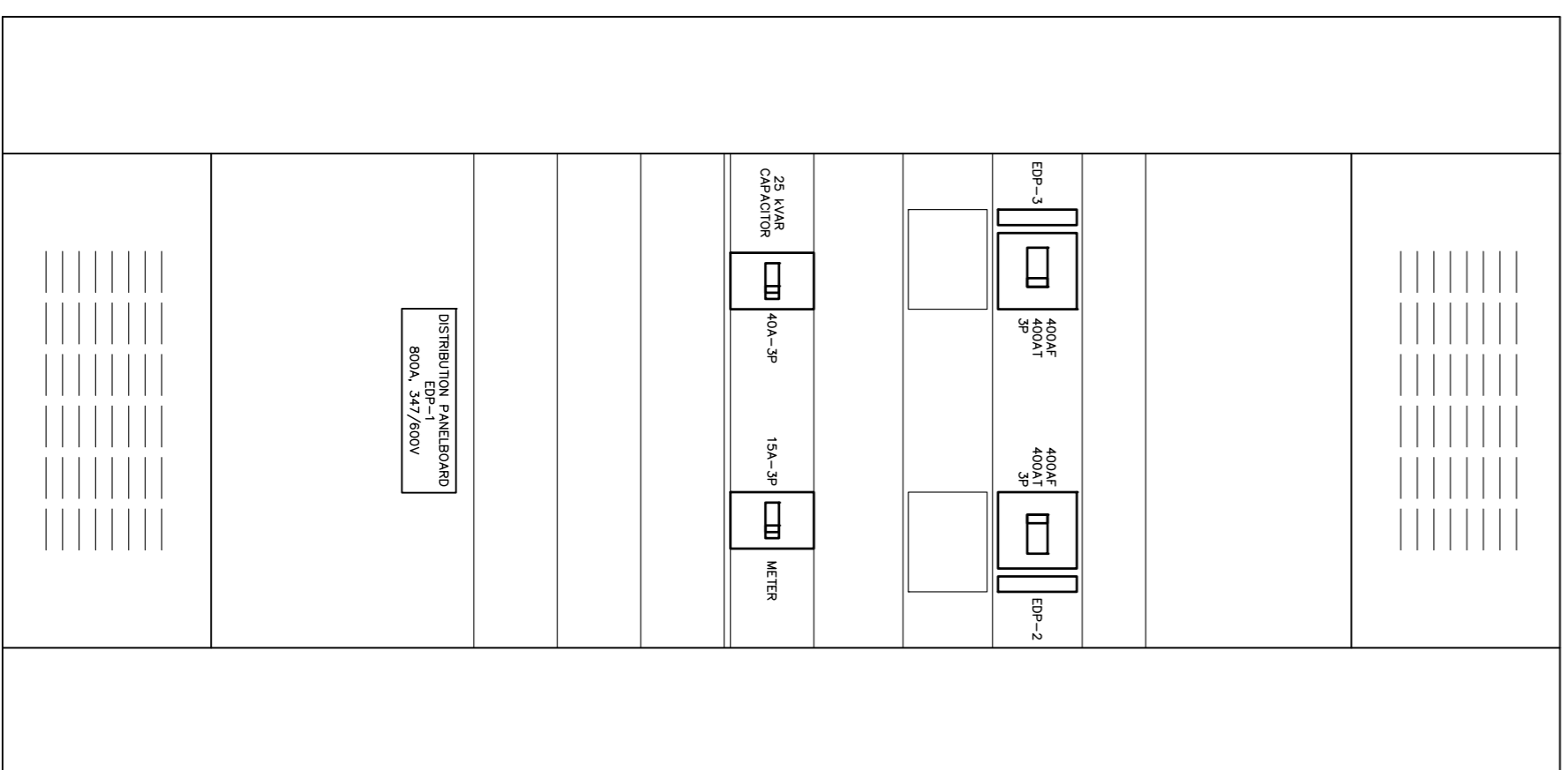
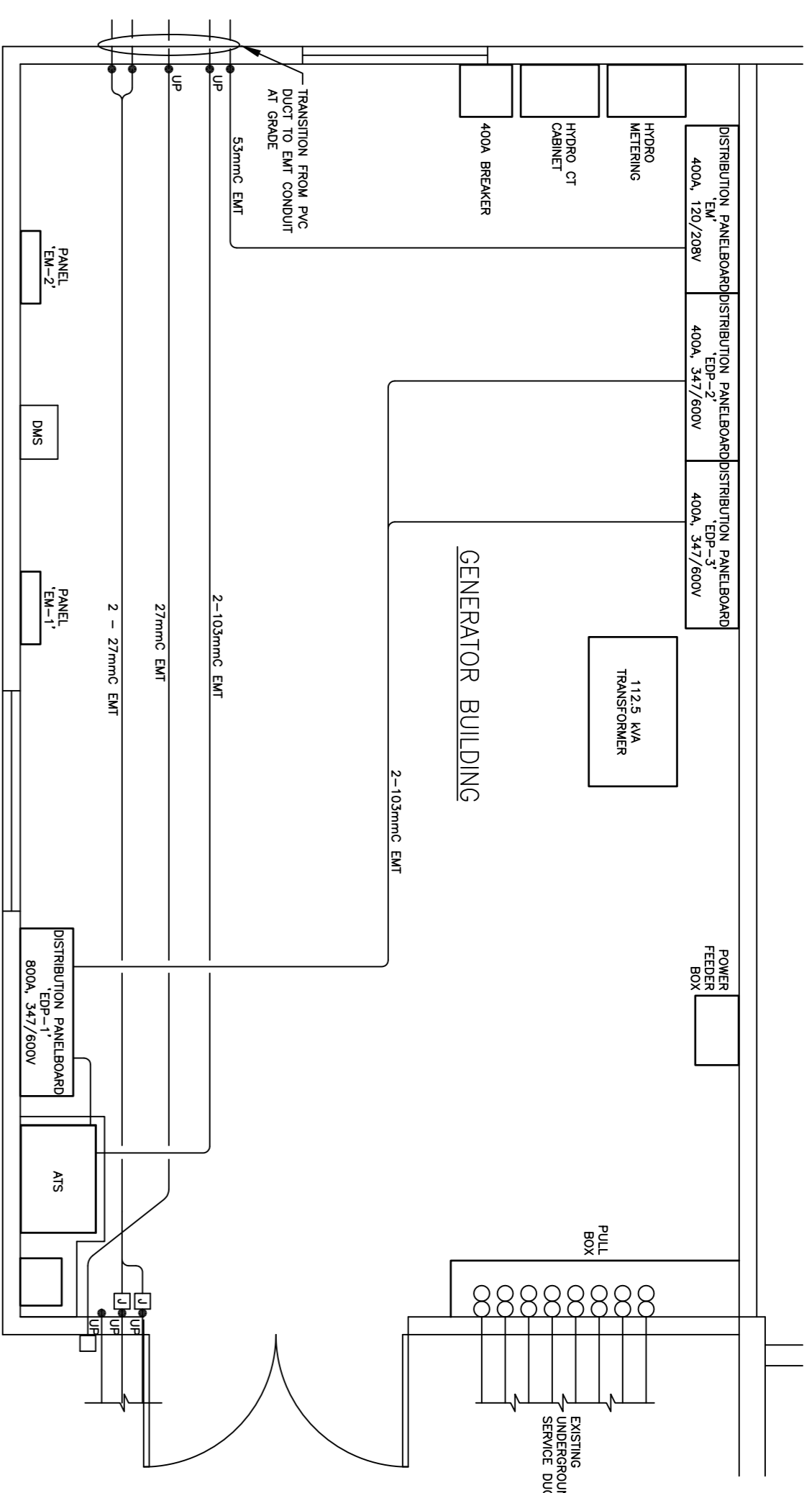
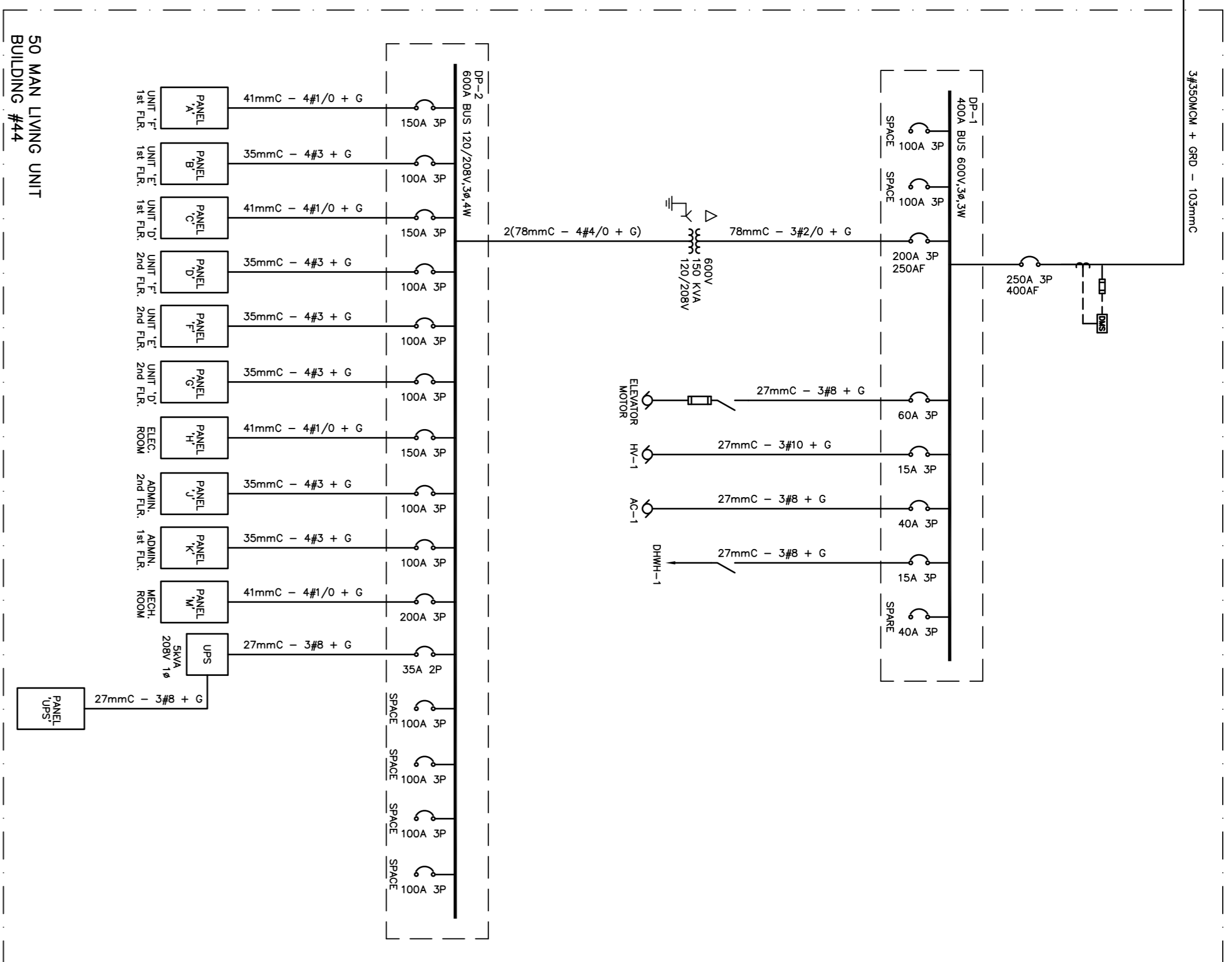


1	ISSUED TO INSTITUTIONS	2015/09/22
2	DESCRIPTION/DESCRIPTION	DATE/DATE
3		
4		
5		

<p>Project title/Titre du projet VARIOUS LOCATIONS PACIFIC REGION ELECTRICAL SINGLE LINE DIAGRAM UPDATE (2015)</p>		
<p>Consultation Signature Box Only N/A</p>		
<p>Designed by/Conçu par T. JEREB</p>		
<p>Drawn by/Dessiné par DARYL SINCLAIR</p>		
<p>FWSCC Project Manager/Administrateur de Projets FWSCC Regional Manager, Architectural and Engineering Services Région de Pacific, Services et Consultants de génie, 18-52</p>		
<p>Drawing title/Titre du dessin EXISTING ELECTRICAL DISTRIBUTION SINGLE LINE DIAGRAM (1 of 2)</p>		
<p>Project No./No. du projet R.066009.001</p>		
Sheet/Feuille E1-Mmin		Revision no./ La Révision no. 0





3		
4		
3		
2		
1		
0	ISSUED TO INSTITUTIONS	2015/09/22

Revision / Description / Date / Date

Client / Client

CORRECTIONAL SERVICE CANADA

Project title/Titre du projet
VARIOUS LOCATIONS
PACIFIC REGION

ELECTRICAL SINGLE LINE DIAGRAM UPDATE (2015)

Consultant Signature Box Only	N/A
Designed by/Concept par	T. JEREB
Drawn by/Dessiné par	DARYL SINCLAIR
PWSSC Project Manager/Administrateur de Projets TPSSC	DARYL SINCLAIR
PWSSC Regional Manager, Architectural and Engineering Services/ Gestionnaire régional, Services d'architectural et de génie TPSSC	T. JEREB
Drawing title/Titre du dessin	MISSION MINIMUM INSTITUTION
33737 DEWONEY TRUNK ROAD	MISSION, BC
EXISTING ELECTRICAL DISTRIBUTION SINGLE LINE DIAGRAM (2 of 2) & GENERATOR BLDG. 16 FLOOR PLAN	
Project No./No. du projet	R.066009.001
Sheet/Feuille	E2-Mmin
OF	3
Revision no./La Révision no.	0



NORTH

3		
4		
3		
2		
1	ISSUED TO INSTITUTIONS	2015/09/22
0		

CORRECTIONAL SERVICE CANADA

Project title/Titre du projet
VARIOUS LOCATIONS PACIFIC REGION

ELECTRICAL SINGLE LINE DIAGRAM UPDATE (2015)

Consultant Signature Box Only
N/A

Designed by/Concept par
T. JEREB

Drawn by/Dessiné par
DARYL SINCLAIR

FWGSC Project Manager/Administrateur de Projets TRSGC
DARYL SINCLAIR
FWGSC Regional Architectural and Engineering Services
Architectural Services / Services d'architectural de génie TRSGC

MISSION MINIMUM INSTITUTION
33737 DEWONEY TRUNK ROAD
MISSION, BC

SITE PLAN
SCALE 1:500

Project No./No. du projet
R.066009.001

Sheet/Feuille
E3-M/min
OF 3

Revision no./La Révision
0



0 10 20 30 40 50 60 70 80 90 100mm