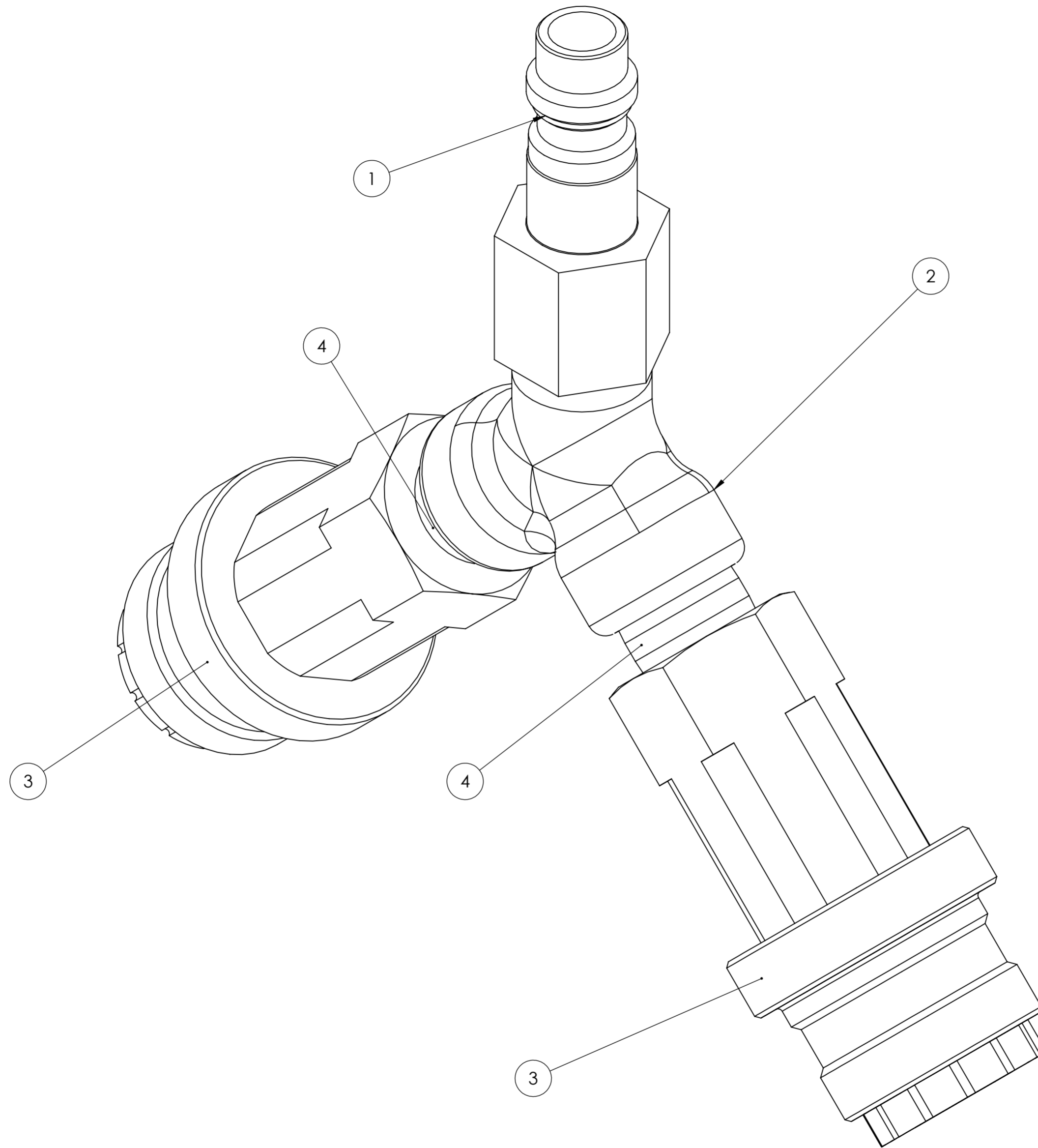


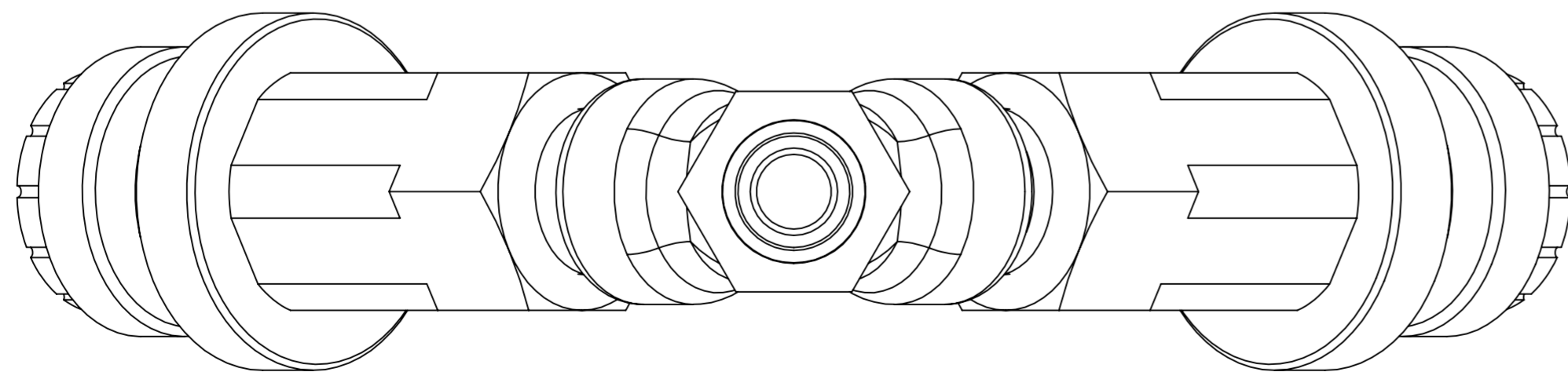
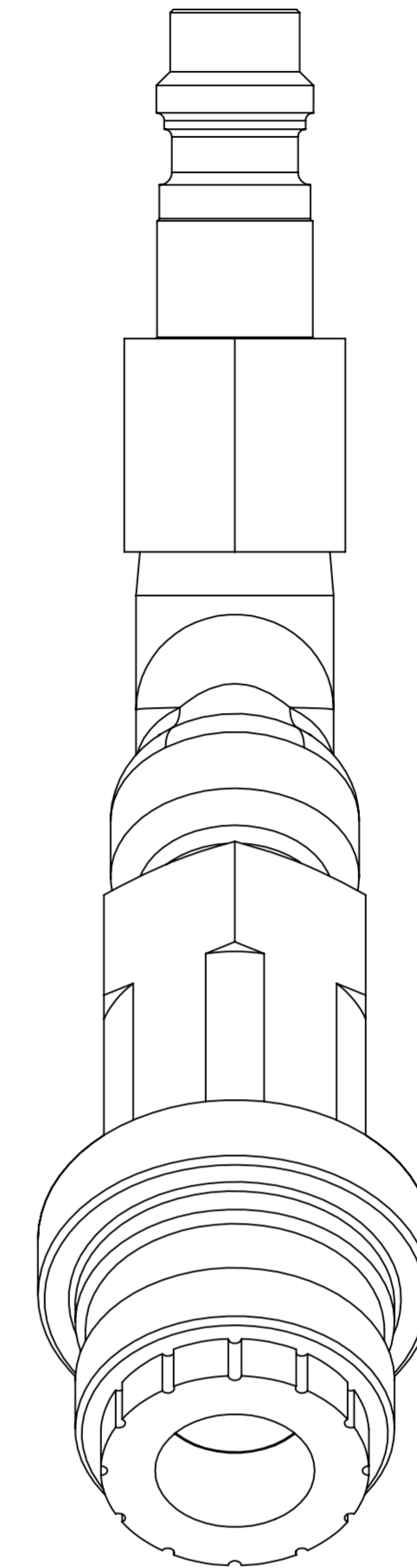
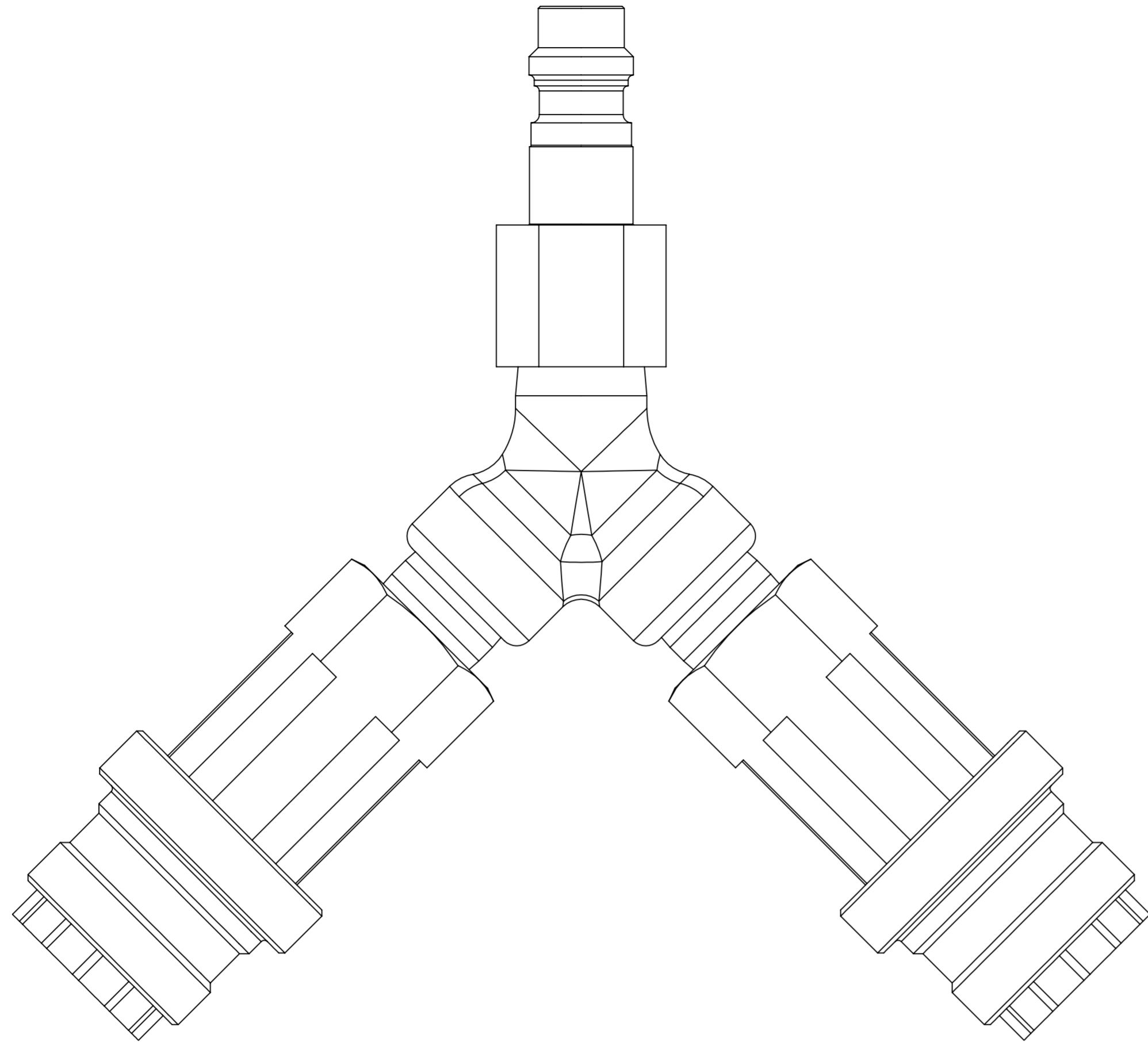
ITEM NO.	PART NUMBER	DESCRIPTION	QTY.
1	CEJN 342 5402	Sub Assembly of NSN: 4730-01-563-3941	1
2	CEJN 19 900 5920	Sub Assembly of NSN: 4730-01-563-3941	1
3	CEJN OF 150 120518	NSN: 4730-01-623-5048	2
4	TBA	1/4 NPT to 1/4 BSPT (MxM)	2



**NOTICE**

The Department of National Defence does not warrant or guarantee the correctness or accuracy of the information contained within this document for other than defence purposes. The Department of National Defence does not grant any license, convey any intellectual property rights, or give permission for any use in whole or in part by any recipient, holder or user of this document, and any such person using this document of the information therein does so at their own risk.

UNLESS OTHERWISE SPECIFIED: DIMENSIONS ARE IN MILLIMETERS		FINISH:		DEBUR AND BREAK SHARP EDGES		DO NOT SCALE DRAWING		REVISION 1	
DRAWN M. Mills		SIGNATURE		DATE		TITLE:		Mechanical Engineering / FMFCS	
CHKD D. Leger				08/13/15		EBS Assembly			
APPVD L. Jeffery				08/13/15		DWG NO. MECH1151136		A2	
MFG						SCALE: 2.5:1		SHEET 1 OF 2	
Q.A.						WEIGHT:			



**NOTICE**

The Department of National Defence does not warrant or guarantee the correctness or accuracy of the information contained within this document for other than defence purposes. The Department of National Defence does not grant any license, convey any intellectual property rights, or give permission for any use in whole or in part by any recipient, holder or user of this document, and any such person using this document of the information therein does so at their own risk.

UNLESS OTHERWISE SPECIFIED: DIMENSIONS ARE IN MILLIMETERS		FINISH:		DEBUR AND BREAK SHARP EDGES		DO NOT SCALE DRAWING		REVISION 1	
SURFACE FINISH:						TITLE:		Mechanical Engineering / FMFCS	
TOLERANCES:						DRAWN		M. Mills	
LINEAR:						CHKD		D. Leger	
ANGULAR:						APPVD		L. Jeffery	
						MFG			
Q.A				MATERIAL:		DWG NO.		MECH1151136	
						SCALE: 2:1		SHEET 2 OF 2	

**EBS Assembly**

A2