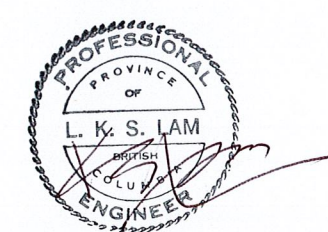


LEGEND:

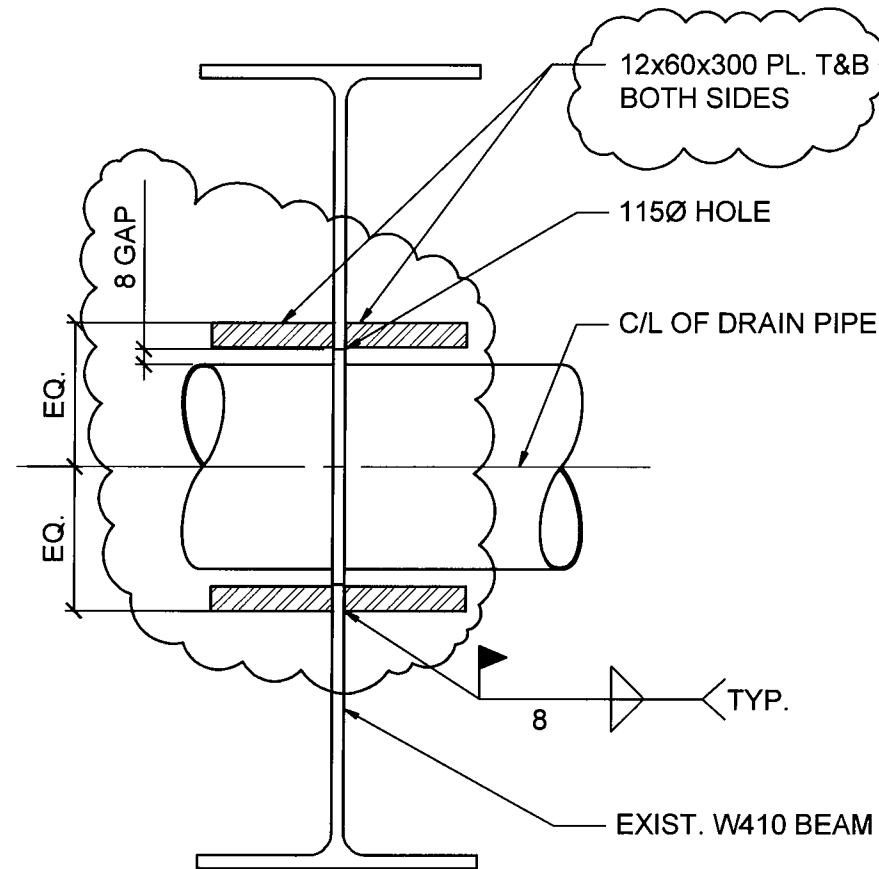
- * DENOTES C150x12 CONNECTS TO EXIST OWSJ WITH LEAD PAINT PRESENCE. MAKE COST ALLOWANCE FOR LEAD PAINT ABATEMENT. TOUCH UP WELDS AND BURNED, SCRATCHED OR ABATED SURFACES WITH SHOP PRIMER AND FIELD PAINT
- ** POTENTIAL LOCATION FOR BEAM WEB OPENING (ONLY ONE OPENING IS ALLOWED) AND KEEP 1/2 WAY BTW. EXIST. OWSJ. REFER TO TYPICAL DETAILS ON DWG S102 FOR STEEL BEAM REINFORCING & REFER TO ARCH FOR EXACT LOCATIONS.
- Ab DENOTES MIN. BEARING AREA REQUIRED FOR EXISTING FOOTING, CONTRACTOR TO PROVIDE INVESTIGATION ON FOOTING SIZE & REINFORCING, AND SUBMIT TO DEPARTMENTAL REPRESENTATIVE FOR REVIEW



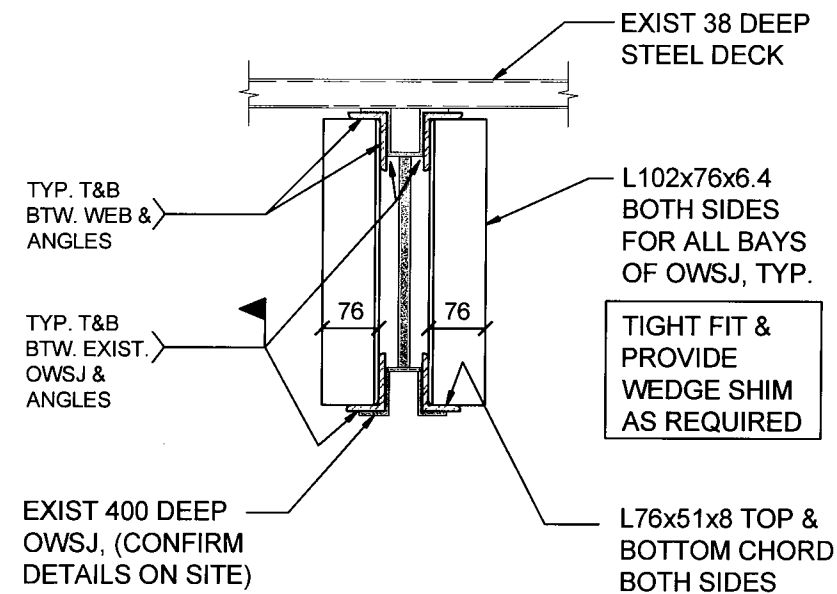
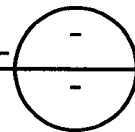
JUL 13, 2021

12774

Client/client CORRECTIONAL SERVICE CANADA (CSC)	Project title/Titre du projet MISSION MINIMUM INSTITUTION EXPANSION OF HEALTH CARE 33737 DEWDNEY TRUNK ROAD MISSION, B.C.	Drawing title/Titre du dessin PARTIAL ROOF PLAN REVISED (REF. DWG. S202)	Consultant Signature & Date Only		PWSC Project Manager/Administrateur de Projets TPSGC TONY TANG	Project No./No. du projet R.089145.001
			Designed by/Concept par L.LAM		PWSC Regional Manager, Architectural and Engineering Services/ Gestionnaire régionale, Services d'architecture et de génie, TPSGC PREETIPAL PAUL	Sheet/Feuille SK-S02
			Drawn by/Dessiné par LH	Date/Date APR. 15, 2021	Revision/Revision -	

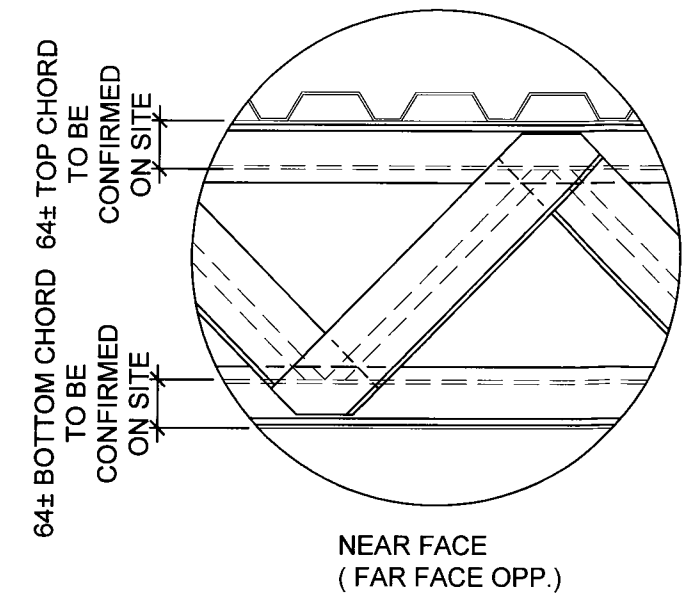


STEEL BEAM REINFORCING DETAIL

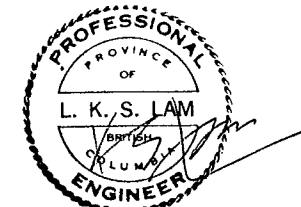


EXISTING OWSJ UPGRADE WELD CONNECTION

1:10



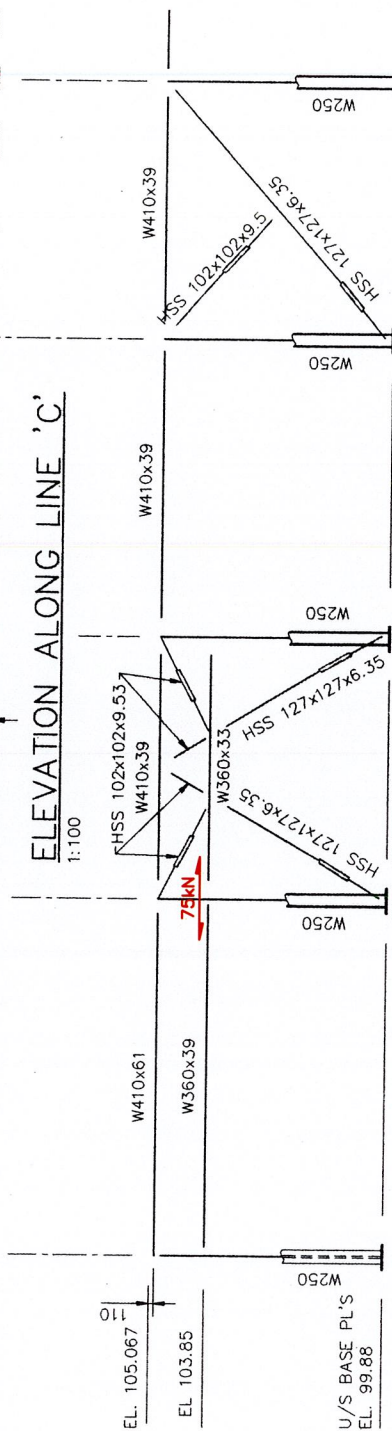
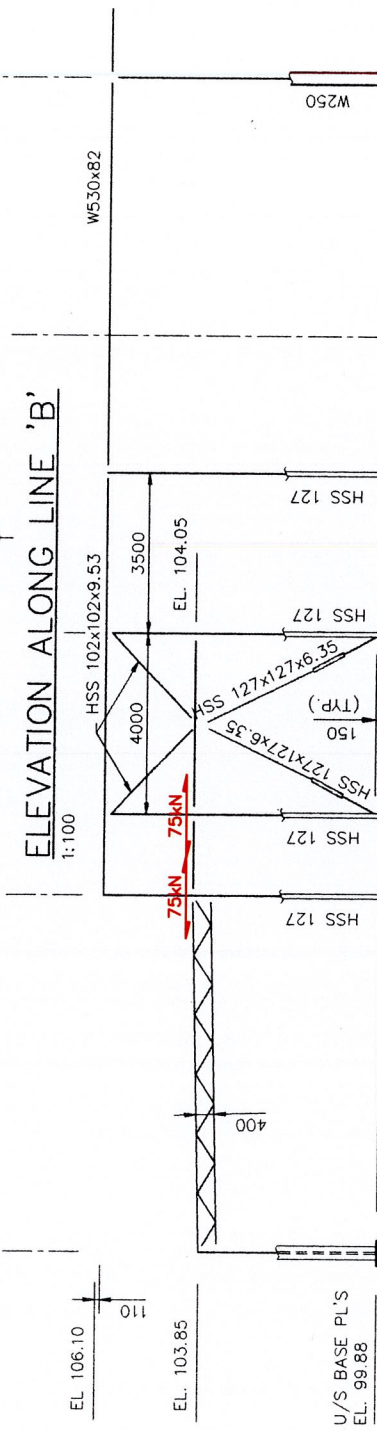
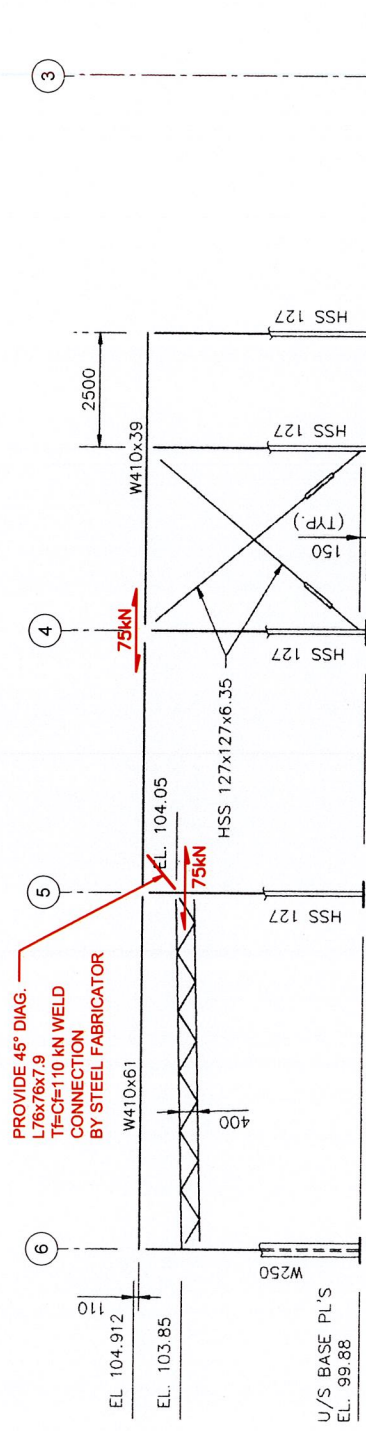
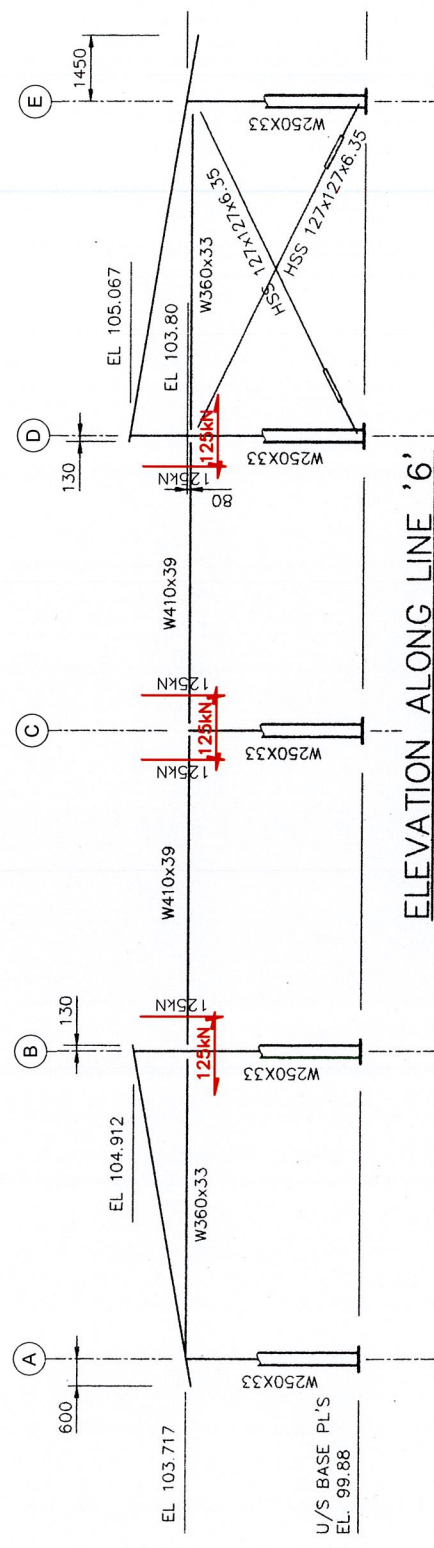
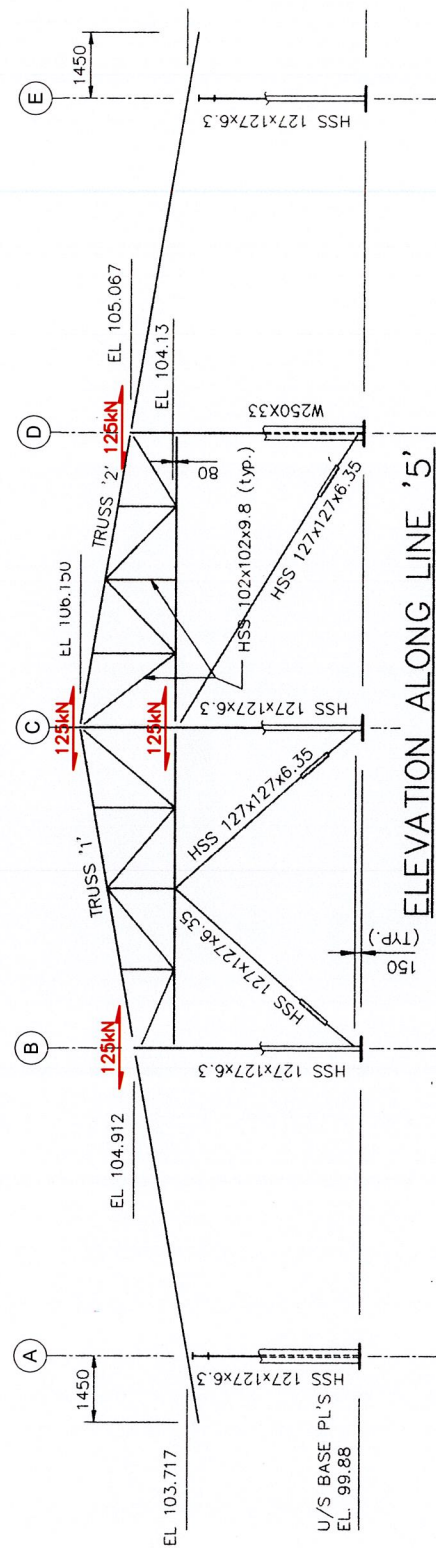
WELD CONNECTION TO
BE DESIGNED, SUPPLIED
& INSTALLED BY STEEL
FABRICATOR, SEE NOTE
#4 ON S202



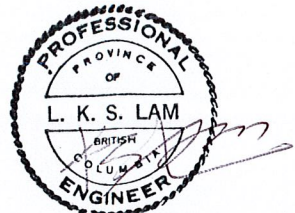
JUL 13, 2021

12774

Client/client CORRECTIONAL SERVICE CANADA (CSC)	Project title/Titre du projet MISSION MINIMUM INSTITUTION EXPANSION OF HEALTH CARE 33737 DEWDNEY TRUNK ROAD MISSION, B.C.	Drawing title/Titre du dessin STEEL BEAM REINFORCING DETAIL REVISED AND EXISTING OWSJ UPGRADE WELD CONNECTION ADDED (REF. DWG. S102 & S203)	Consultant Signature & Date Only	PWGSC Project Manager/Administrateur de Projets TPSGC TONY TANG	Project No./No. du projet R.089145.001
			Designed by/Concept par L.LAM	PWGSC Regional Manager, Architectural and Engineering Services/ Gestionnaire régional, Services d'architecture et de génie, TPSGC PREETIPAL PAUL	Sheet/Feuille SK-S04
			Drawn by/Dessiné par LH	Date/Date JUL 07, 2021	Revision/ Révision -



PROVIDE 45° DIAG.
L76x76x7.9
TF=Cf=110 kN WELD
CONNECTION
BY STEEL FABRICATOR



ALL HSS 127x127
TF = Cf = 200 kN
ALL HSS 102x102
TF = Cf = 200 kN

VERIFY / CONFIRM EXIST. WELD /
BOLTED CONNECTION ON SITE &
UPGRADE CONNECTION (DESIGNED,
SUPPLIED & INSTALLED BY
CONTRACTOR'S ENGINEERS) FOR
THE CONNECTION FORCES AND
DRAG FORCES AS SHOWN ON ROOF
PLAN & ELEVATION.

12774

Client/client CORRECTIONAL SERVICE CANADA (CSC)	Project title/Titre du projet MISSION MINIMUM INSTITUTION EXPANSION OF HEALTH CARE 33737 DEWDNEY TRUNK ROAD MISSION, B.C.	Drawing title/Titre du dessin CONNECTION FORCES FOR EXISTING STRUCTURE (REF. DWG. S203)	Consultant Signature & Date Only	PWGSC Project Manager/Administrateur de Projets TPSGC TONY TANG	Project No./No. du projet R.089145.001
			Designed by/Concept par L.LAM	PWGSC, Regional Manager, Architectural and Engineering Services/ Gestionnaire régionale, Services d'architectural et de génie, TPSGC PREETIPAL PAUL	Sheet/Feuille SK-S05
			Drawn by/Dessine par BM	Date/Date JUL. 07, 2021	Revision/ Revision -