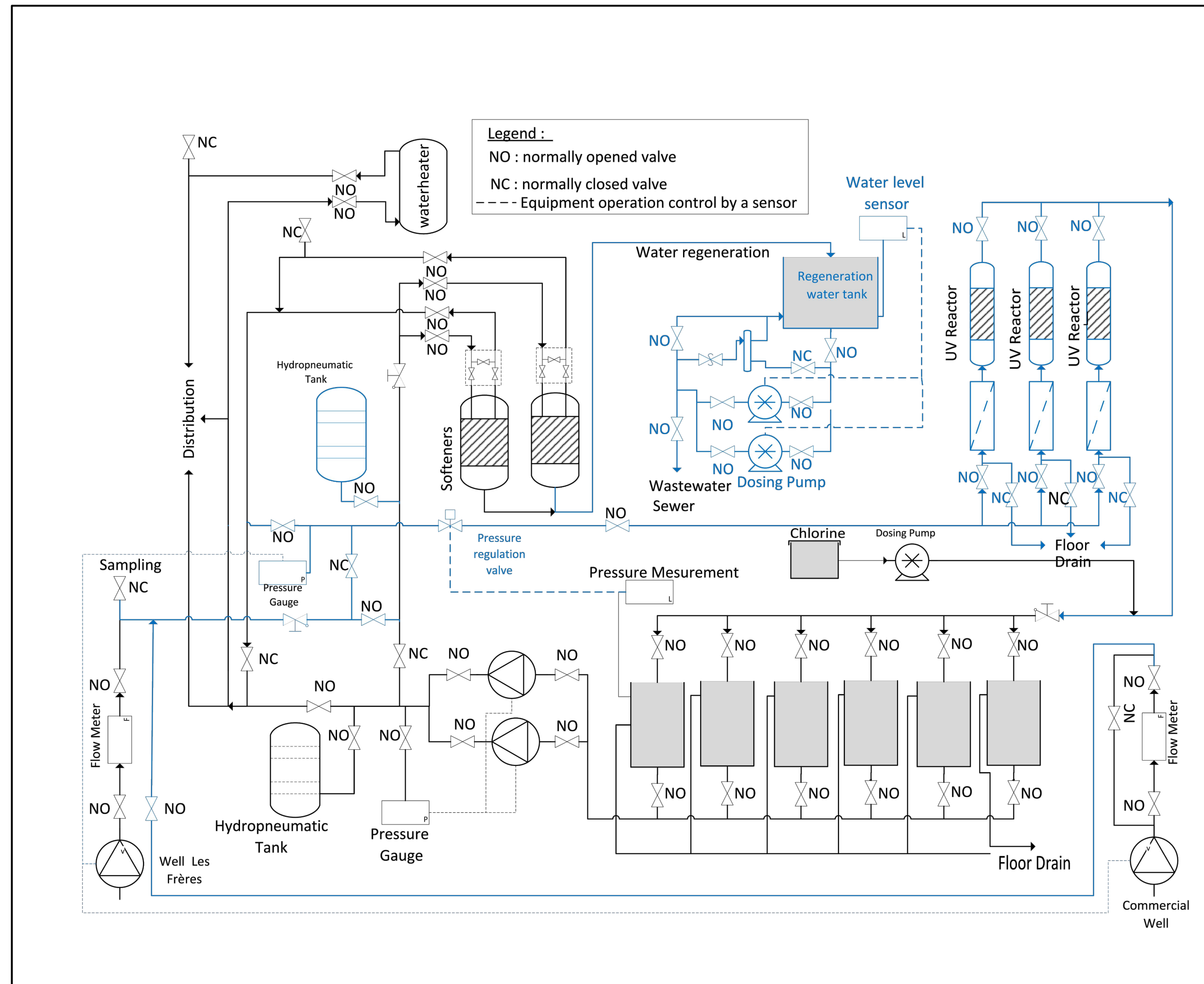
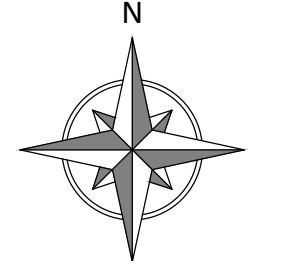


PROCESS FLOW DIAGRAM OF THE WATER TREATMENT PLANT BEFORE PROJECTED WORKS



PROCESS FLOW DIAGRAM OF THE WATER TREATMENT PLANT AFTER PROJECTED WORKS

THESE PLANS ARE NOT TO BE USED FOR CONSTRUCTION PURPOSE



THIS DOCUMENT IS INTELLECTUAL PROPERTY OF ASISTO INC. IT MUST NOT BE COPIED WITHOUT OUR WRITTEN PERMISSION, AND THE CONTENTS THEREOF MUST NOT BE IMPARTED TO A THIRD PARTY NOR BE USED FOR ANY UNAUTHORIZED PURPOSE. CONTRAVENTION WILL BE PROSECUTED.

Drawing

PRELIMINARY PLAN IF NOT SCALED

FSP

 20 juin 2021

REV.no.	Date	Description	Designed by	Verified by
C	2021-06-28	2nd Call for tenders	F.S.P	J.F.R.
B	2020-11-02	Call for tenders	F.S.P	J.F.R.
A	2019-03-03	Preliminary	S.H.	J.F.R.

Client:



Project:
MODIFICATION OF THE DRINKING WATER TREATMENT SYSTEM OF ST-ARMAND BORDER CROSSING

Drawing:
PROCESS FLOW DIAGRAM AND PROJECTED LOCATION OF THE RO SYSTEMS

Prepared by F. St-Pierre ing.	Scale NTS	Contract no. 0400828
Drawn by M.-A. Melançon	Date 2019-01-03	Drawing no. 2
Verified by J.F. Richard ing.	File 0400828-MP-01	OP 2