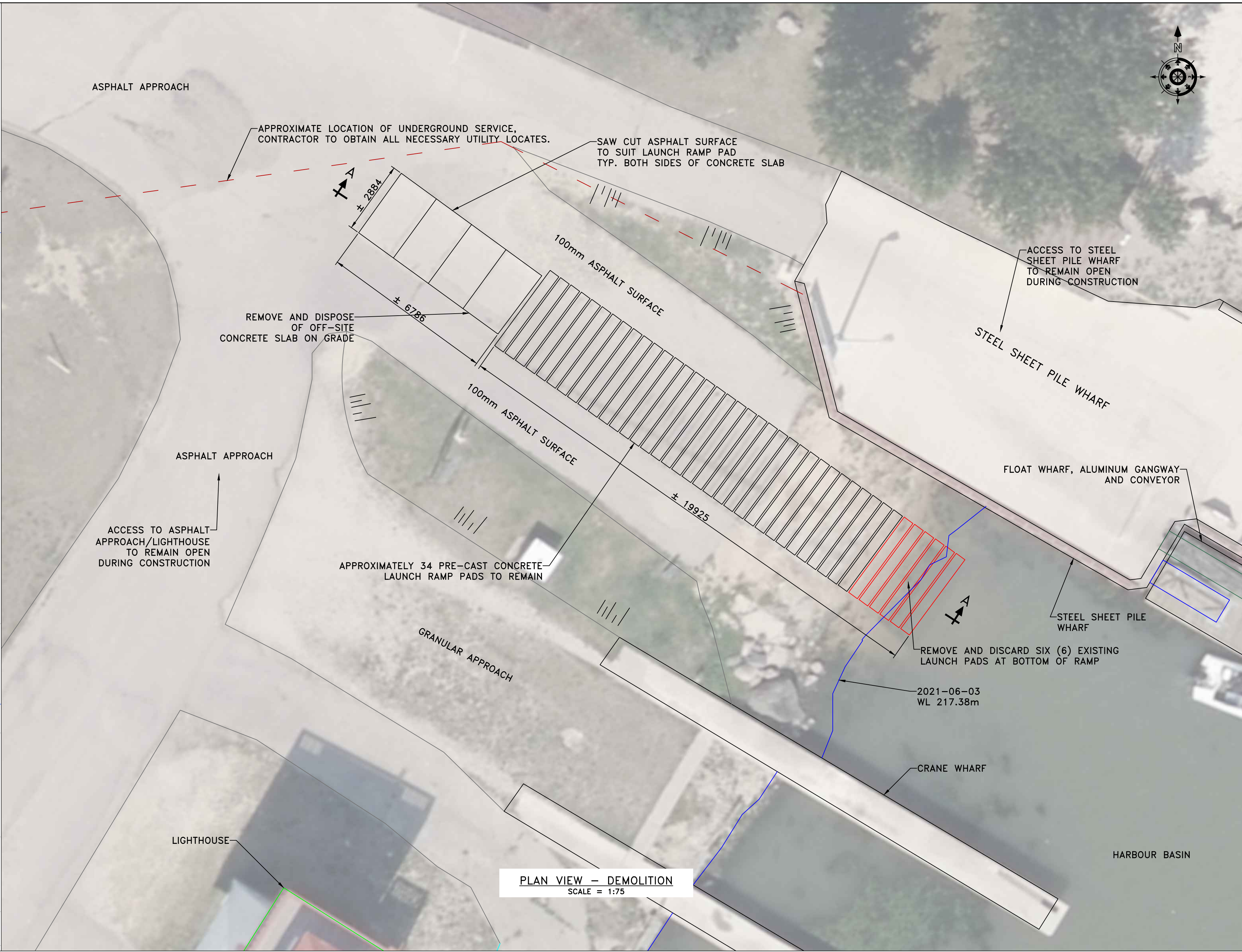
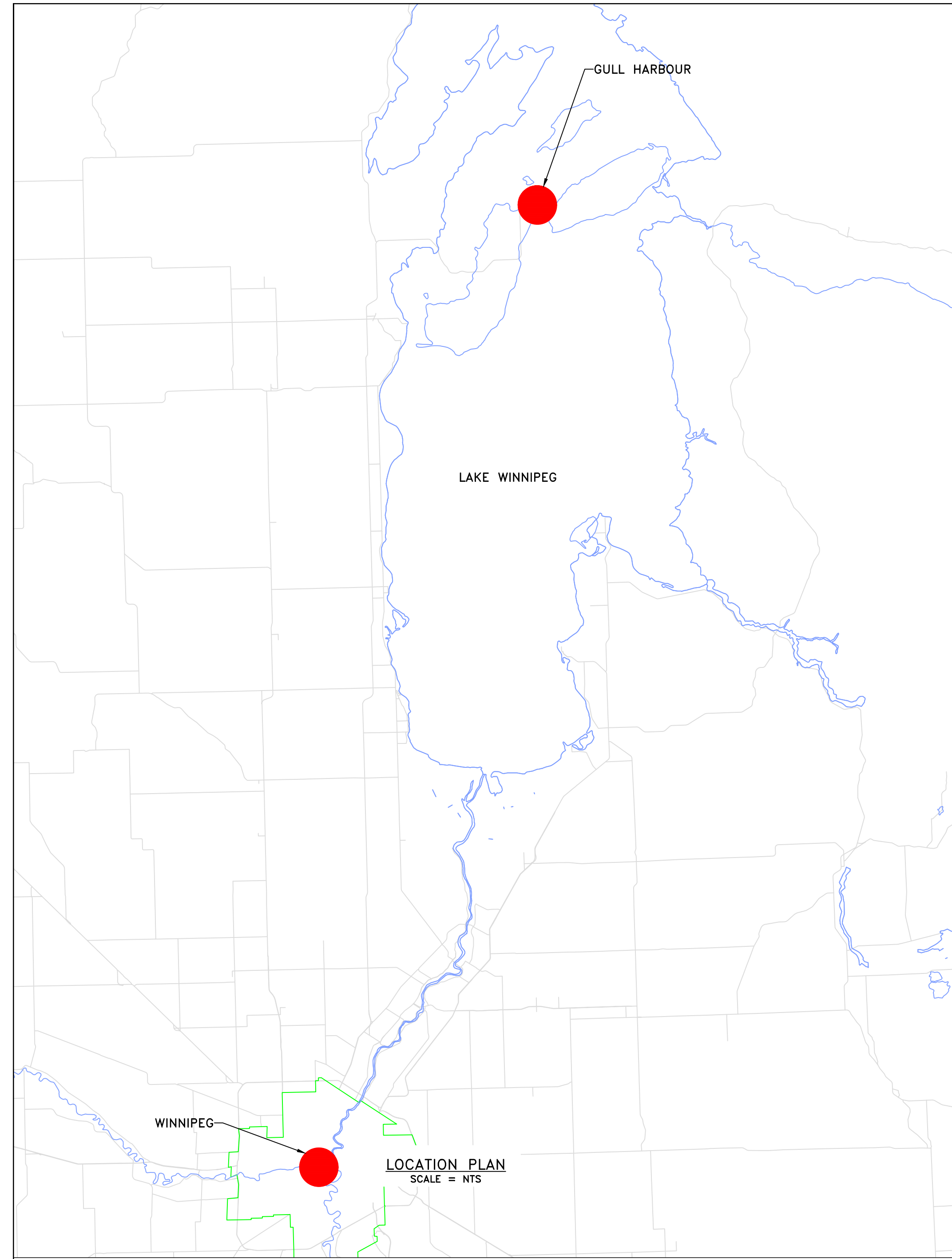


SMALL CRAFT HARBOURS
ONTARIO AND PRAIRIE REGION



- NOTES:
1. ALL DIMENSIONS IN MILLIMETRES UNLESS OTHERWISE STATED.
 2. ALL ELEVATIONS AND SOUNDINGS ARE IN METRES UNLESS OTHERWISE STATED.
 3. ELEVATIONS ARE GIVEN USING THE CANADIAN GEODETIC VERTICAL DATUM OF 1928 (CGVD28).
 4. EXISTING LAUNCH RAMP TO BE REMOVED:
 - 4.1. FOUR APPROXIMATELY 2.88m x 1.70m CONCRETE SLABS



REVISIONS:	DATE:
0 ISSUED FOR TENDER	JULY 2021

SCALE: AS NOTED	CLASS:
--------------------	--------

PROJECT:
LAUNCH RAMP RECONSTRUCTION

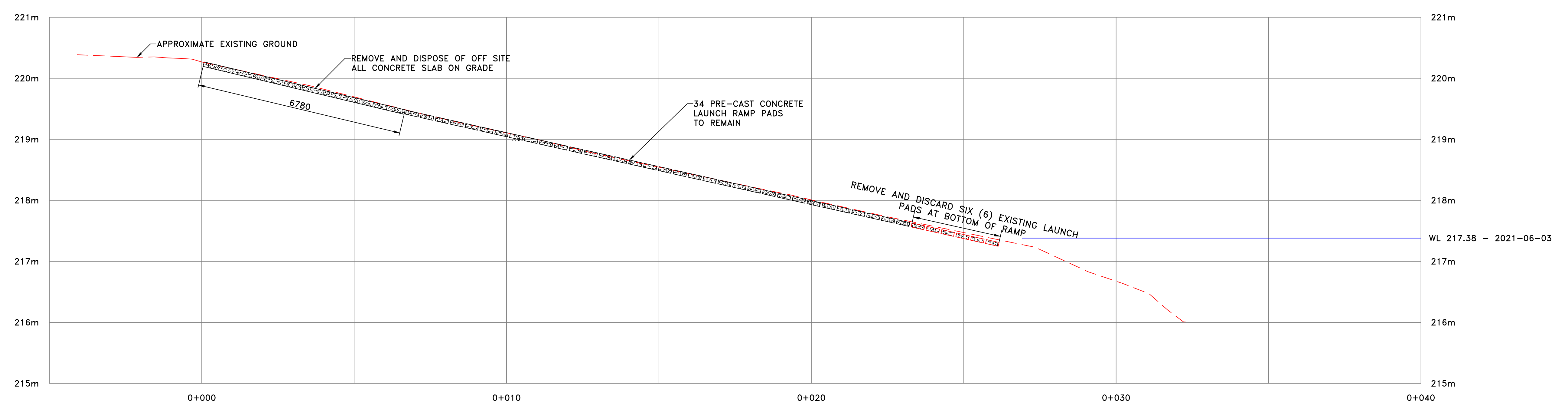
DESCRIPTION:
SITE PLAN & DEMOLITION DETAILS

DRAWN: SCH	APPROVED: SCH
---------------	------------------

DATE: JULY 2021	DATE: JULY 2021
--------------------	--------------------

LOCATION:
**GULL HARBOUR
MANITOBA**

DRAWING NO.: G-1	LOCATOR CODE: 5522
---------------------	-----------------------



NOTE:
1. HORIZONTAL AND VERTICAL SCALES DIFFER.

SMALL CRAFT HARBOURS
 ONTARIO AND PRAIRIE REGION



- NOTES:
1. ALL DIMENSIONS IN MILLIMETRES UNLESS OTHERWISE STATED.
 2. DRAWINGS ARE NOT TO BE SCALED.
 3. HARBOUR IS LOCATED AT APPROXIMATELY 51.197671° N -96.617776° W
 4. ALL ELEVATIONS AND SOUNDINGS ARE IN METRES UNLESS OTHERWISE STATED.
 5. ELEVATIONS ARE GIVEN USING THE CANADIAN GEODETIC VERTICAL DATUM OF 1928 (CGVD28).
 6. COORDINATES FOR THE HORIZONTAL CONTROL ARE GIVEN ON THE U.T.M. MAPPING PLANE, ZONE 14, USING THE NORTH AMERICAN DATUM OF 1983 (NAD83).
 7. ALL GRANULAR TO BE COMPACTED ABOVE WATER LEVEL.
 8. EXCAVATE TO SUIT NEW LAUNCH RAMP PAD INSTALLATION.
 9. FILL ANY GAPS BETWEEN ASPHALT SURFACE AND LAUNCH RAMP PADS WITH 20 MINUS GRANULAR.
 10. CONTRACTOR TO PROTECT EXISTING ASPHALT SURFACES DURING CONSTRUCTION.
 11. CABLE SPLICE SUBJECT TO REVIEW AND APPROVAL BY DEPARTMENTAL REPRESENTATIVE AT TIME OF INSTALLATION.

REVISIONS:	DATE:
0 ISSUED FOR TENDER	JULY 2021

SCALE: AS NOTED	CLASS:
-----------------	--------

PROJECT: LAUNCH RAMP RECONSTRUCTION

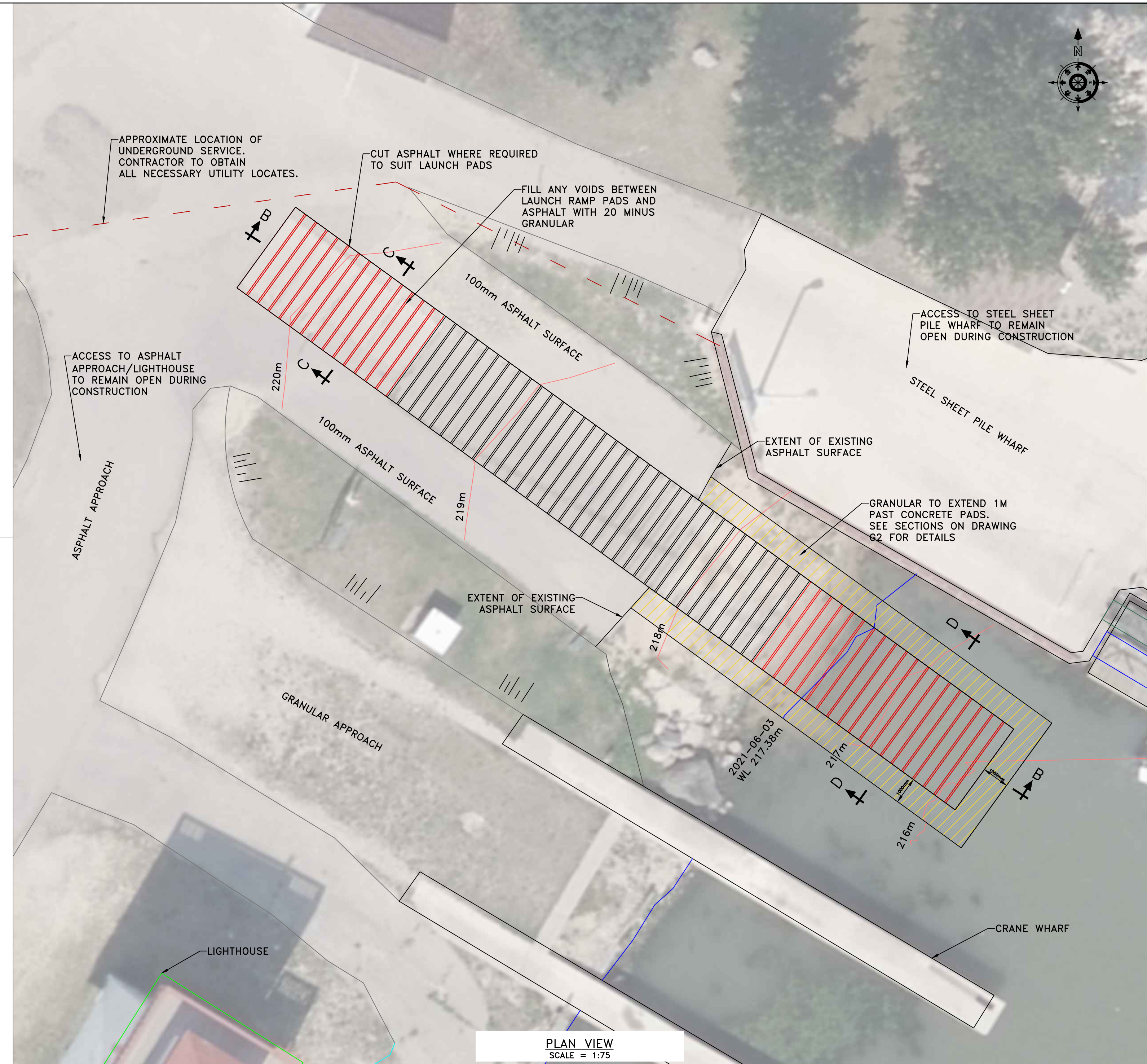
DESCRIPTION: SITE PLAN & CONSTRUCTION DETAILS

DRAWN: SCH	APPROVED: SCH
------------	---------------

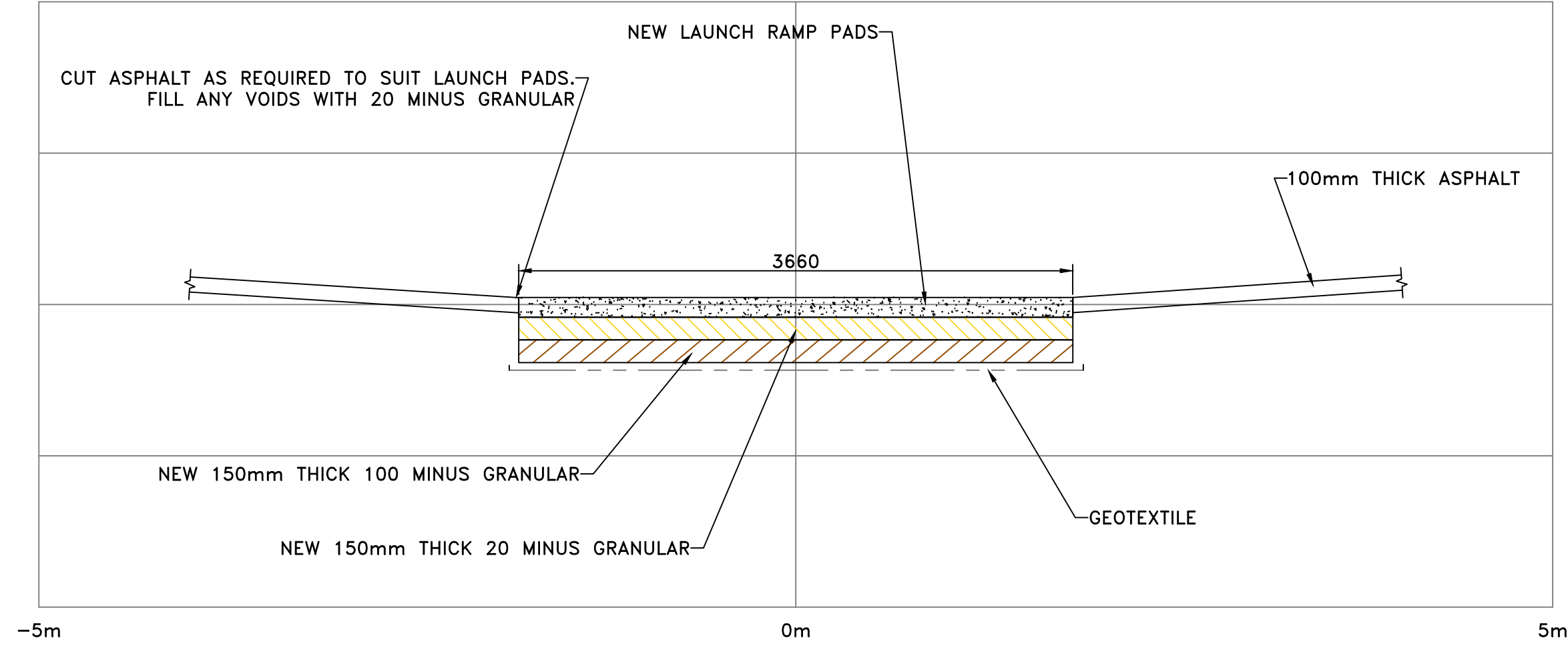
DATE: JULY 2021	DATE: JULY 2021
-----------------	-----------------

LOCATION: GULL HARBOUR MANITOBA

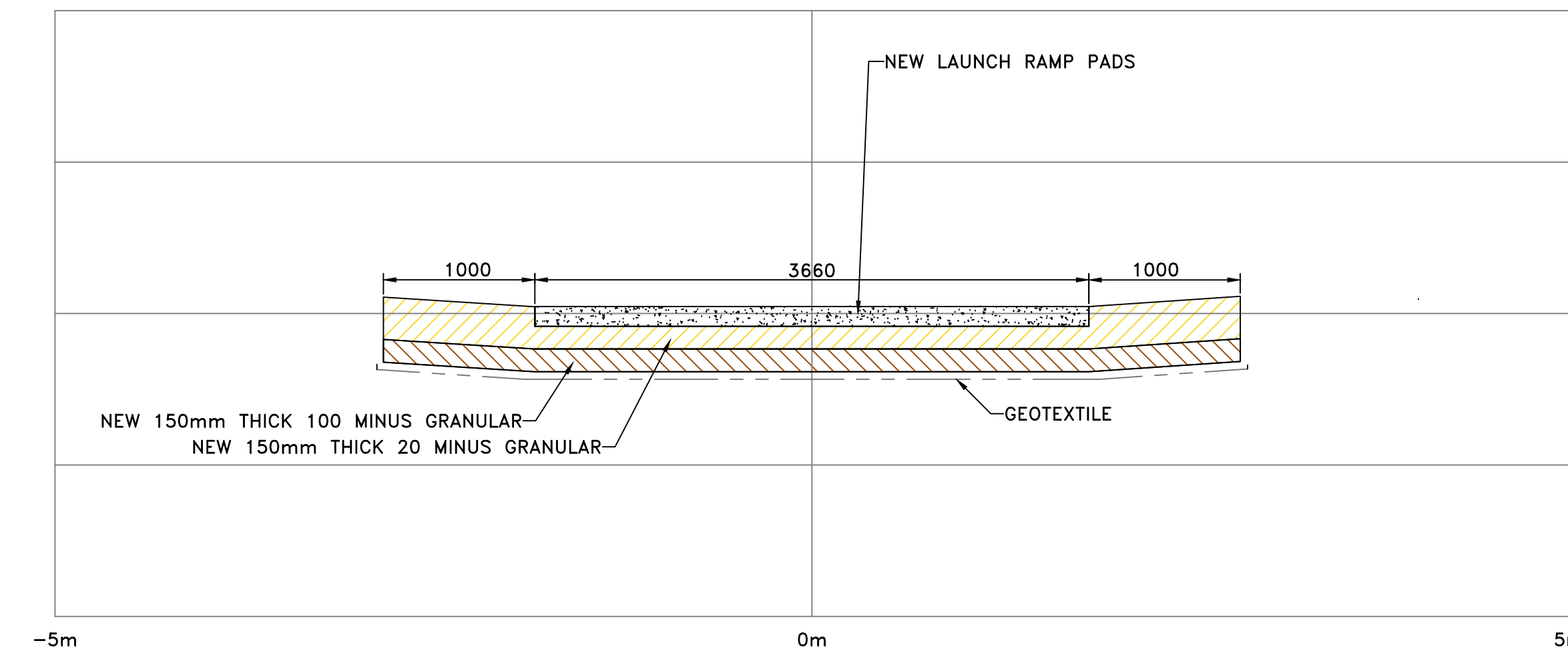
DRAWING NO.: G-2	LOCATOR CODE: 5522
------------------	--------------------



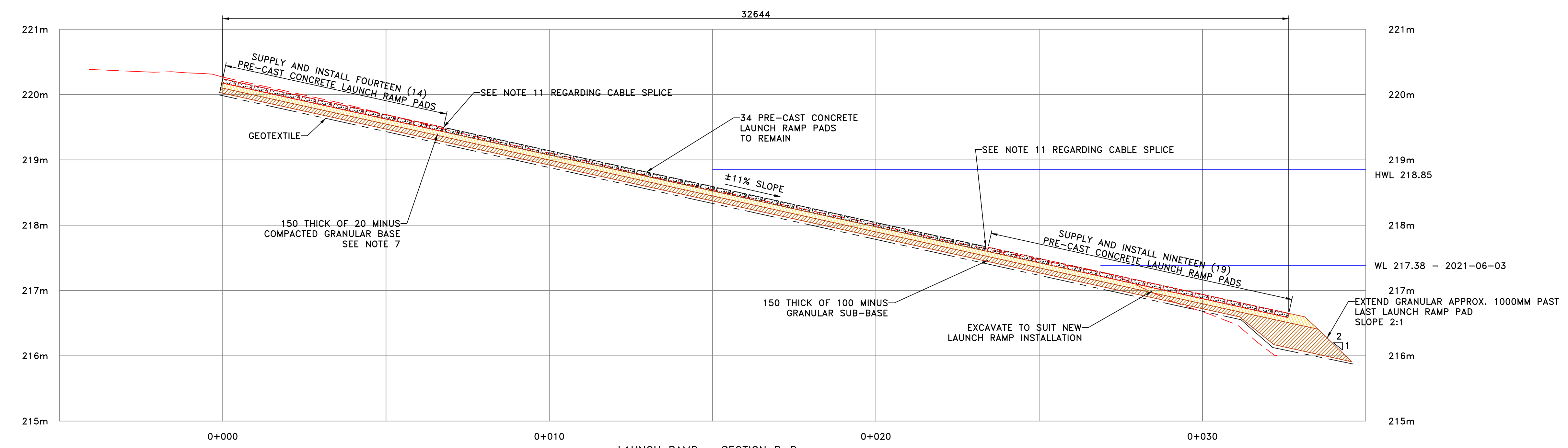
PLAN VIEW
 SCALE = 1:75



LAUNCH RAMP - SECTION C-C
 SCALE = 1:75



LAUNCH RAMP - SECTION D-D
 SCALE = 1:75



LAUNCH RAMP - SECTION B-B
 SCALE = 1:75

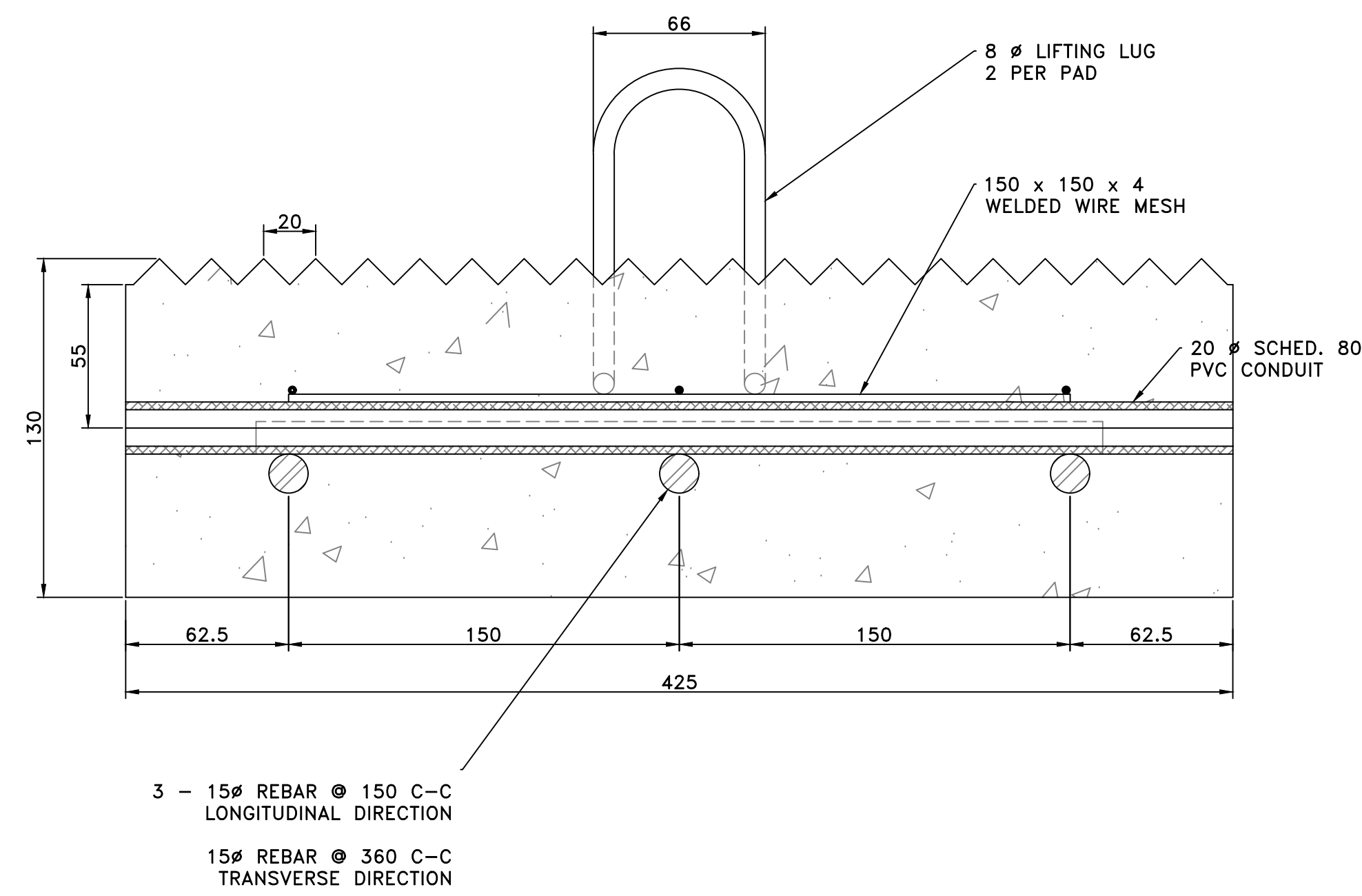
NOTE:
 1. HORIZONTAL AND VERTICAL SCALES DIFFER.

SMALL CRAFT HARBOURS
ONTARIO AND PRAIRIE REGION

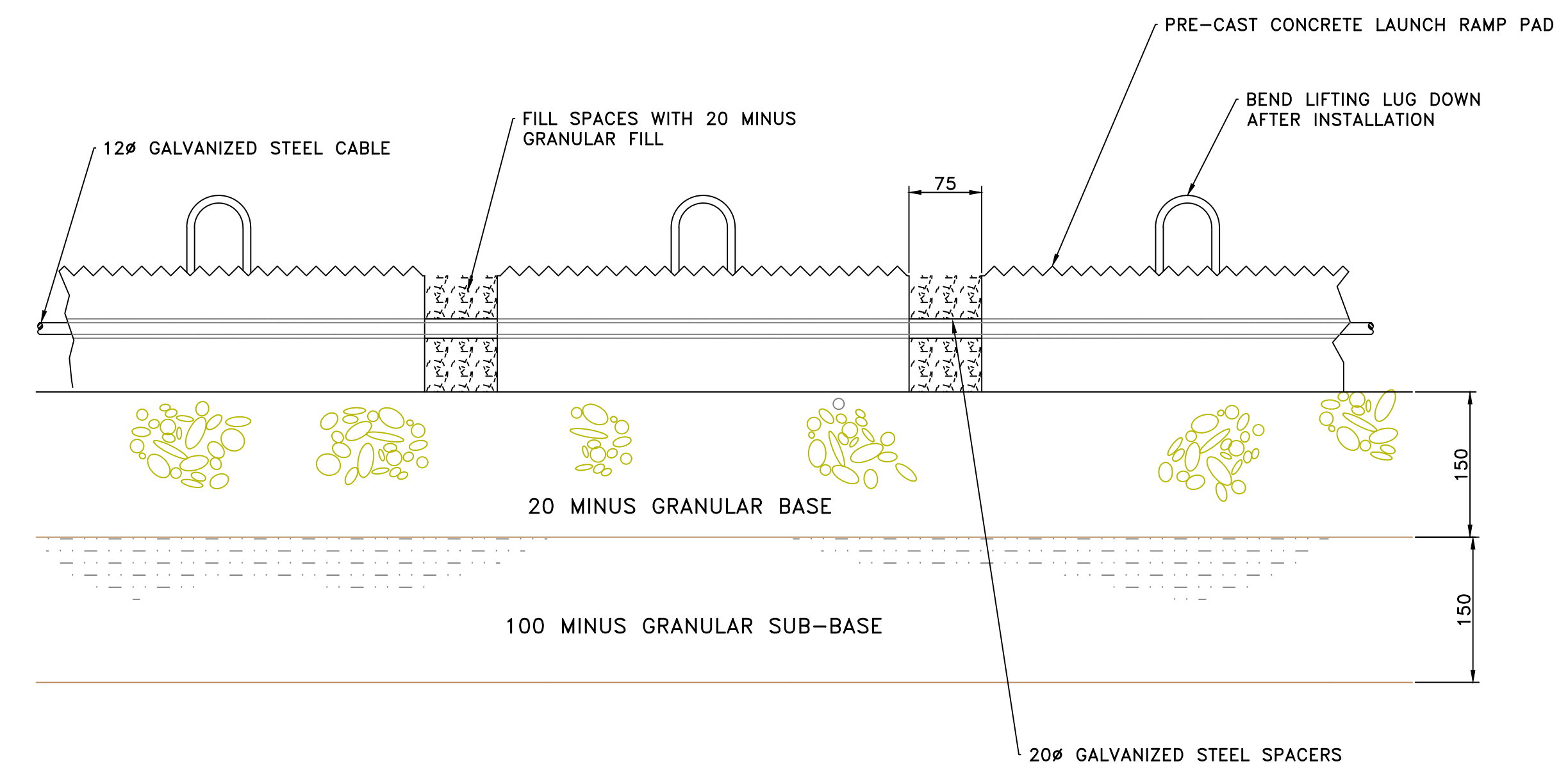


NOTES:

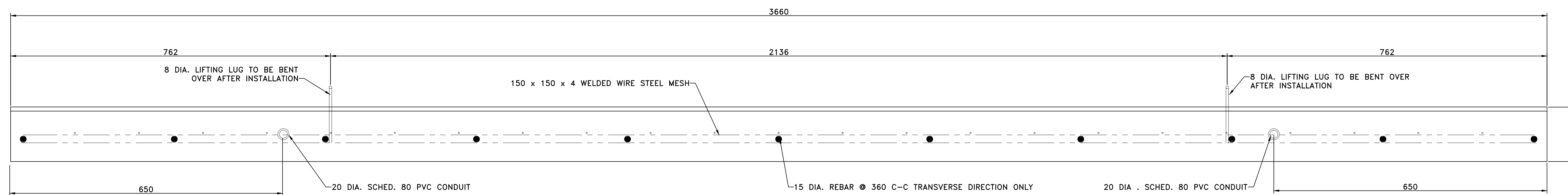
1. ALL DIMENSIONS IN MILLIMETRES UNLESS OTHERWISE STATED.
2. CABLE SPLICE SUBJECT TO REVIEW AND APPROVAL BY DEPARTMENTAL REPRESENTATIVE AT TIME OF INSTALLATION.
3. LAUNCH RAMP PADS TO BE SPACED 75mm APART WITH GALVANIZED PIPE SPACERS.



PRECAST CONCRETE PAD DETAIL
SCALE = 1:2



ASSEMBLY DETAIL
SCALE = 1:5



PRECAST CONCRETE PAD SECTION
SCALE = 1:5

REVISIONS:	DATE:
0 ISSUED FOR TENDER	JULY 2021

SCALE: AS SHOWN	CLASS:
--------------------	--------

PROJECT:
LAUNCH RAMP RECONSTRUCTION

DESCRIPTION:
ASSEMBLY DETAILS

DRAWN: SCH	APPROVED: SCH
---------------	------------------

DATE: JULY 2021	DATE: JULY 2021
--------------------	--------------------

LOCATION:
**GULL HARBOUR
MANITOBA**

DRAWING NO.: G-3	LOCATOR CODE: 5522
---------------------	-----------------------