


 GOVERNMENT OF CANADA
 FISHERIES AND OCEANS


 GOUVERNEMENT DU CANADA
 PÊCHES ET OCÉANS

SMALL CRAFT HARBOURS
 ONTARIO AND PRAIRIE REGION



NOTES:

- ALL DIMENSIONS IN MILLIMETRES UNLESS OTHERWISE STATED.
- ALL ELEVATIONS AND SOUNDINGS ARE IN METRES UNLESS OTHERWISE STATED.
- ELEVATIONS ARE GIVEN USING THE CANADIAN GEODETIC VERTICAL DATUM OF 1928 (CGVD28).
- EXISTING LAUNCH RAMP TO BE REMOVED:
 - ONE 4.0m x 7.0m x 0.15m SLAB ON GRADE
 - APPROXIMATELY 24 PRE-CAST PADS 3.00m x 0.388m x 0.120m.
- PROTECT EXISTING CONCRETE ANCHOR BLOCK, TIMBER CRIB WHARF AND ALUMINUM GANGWAYS DURING DEMOLITION AND CONSTRUCTION.
- ACCESS TO TIMBER CRIB WHARF AND FLOAT WHARVES TO REMAIN OPEN DURING CONSTRUCTION.

REVISIONS:	DATE:
0 ISSUED FOR TENDER	JULY 2021

SCALE:	CLASS:
AS NOTED	

PROJECT:

LAUNCH RAMP RECONSTRUCTION

DESCRIPTION:

SITE PLAN & DEMOLITION DETAILS

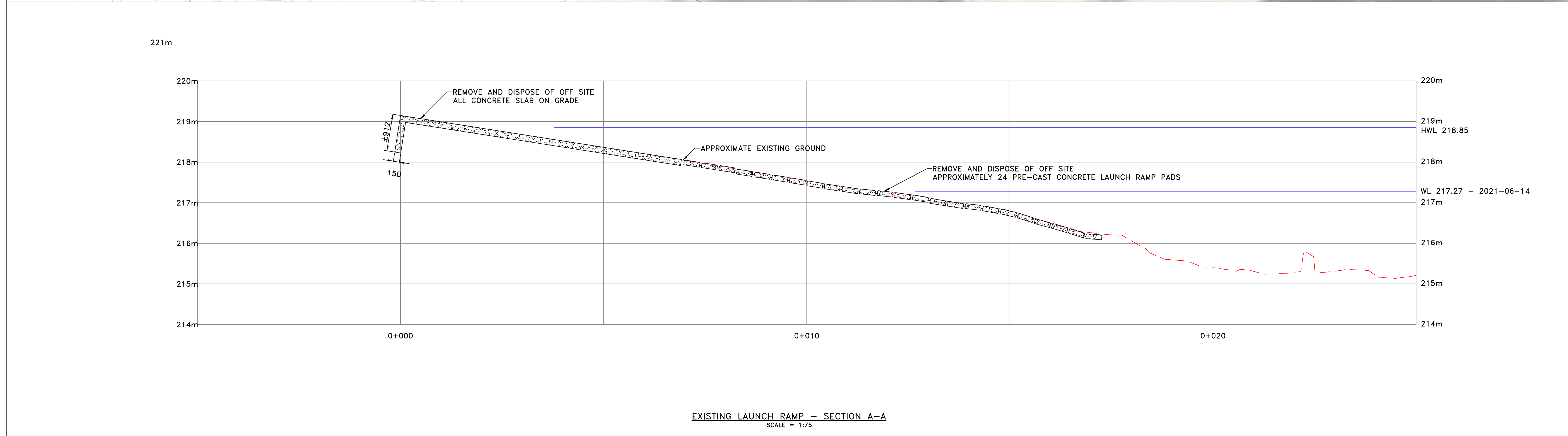
DRAWN:	APPROVED:
SCH	SCH

DATE:	DATE:
JULY 2021	JULY 2021

LOCATION:

**CALDEERS DOCK
MANITOBA**

DRAWING NO.:	LOCATOR CODE:
C-1	5507



EXISTING LAUNCH RAMP - SECTION A-A
SCALE = 1:75

SMALL CRAFT HARBOURS
ONTARIO AND PRAIRIE REGION



NOTES:

1. ALL DIMENSIONS IN MILLIMETRES UNLESS OTHERWISE STATED.
2. DRAWINGS ARE NOT TO BE SCALED.
3. HARBOUR IS LOCATED AT APPROXIMATELY 51.572334° N -96.731483° W
4. ALL ELEVATIONS AND SOUNDINGS ARE IN METRES UNLESS OTHERWISE STATED.
5. ELEVATIONS ARE GIVEN USING THE CANADIAN GEODETIC VERTICAL DATUM OF 1928 (CGVD28).
6. COORDINATES FOR THE HORIZONTAL CONTROL ARE GIVEN ON THE U.T.M. MAPPING PLANE, ZONE 14, USING THE NORTH AMERICAN DATUM OF 1983 (NAD83).
7. ALL GRANULAR TO BE COMPACTED ABOVE WATER LEVEL.
8. EXCAVATE TO SUIT NEW LAUNCH RAMP INSTALLATION.
9. PROTECT EXISTING CONCRETE ANCHOR BLOCK, TIMBER CRIB WHARF AND ALUMINUM GANGWAYS DURING DEMOLITION AND CONSTRUCTION.
10. ACCESS TO TIMBER CRIB WHARF AND FLOAT WHARVES TO REMAIN OPEN DURING CONSTRUCTION.

HORIZONTAL CONTROL POINTS			
POINT #	NORTHING (M)	EASTING (M)	ELEV. (M)
CP1	5715895.604	657265.517	219.150
CP2	5715896.071	657261.887	219.150
CP3	5715091.030	657262.525	218.350
CP4	5715900.563	657266.155	218.350

REVISIONS:	DATE:
0 ISSUED FOR TENDER	JULY 2021

SCALE: AS NOTED	CLASS:
-----------------	--------

PROJECT: LAUNCH RAMP RECONSTRUCTION

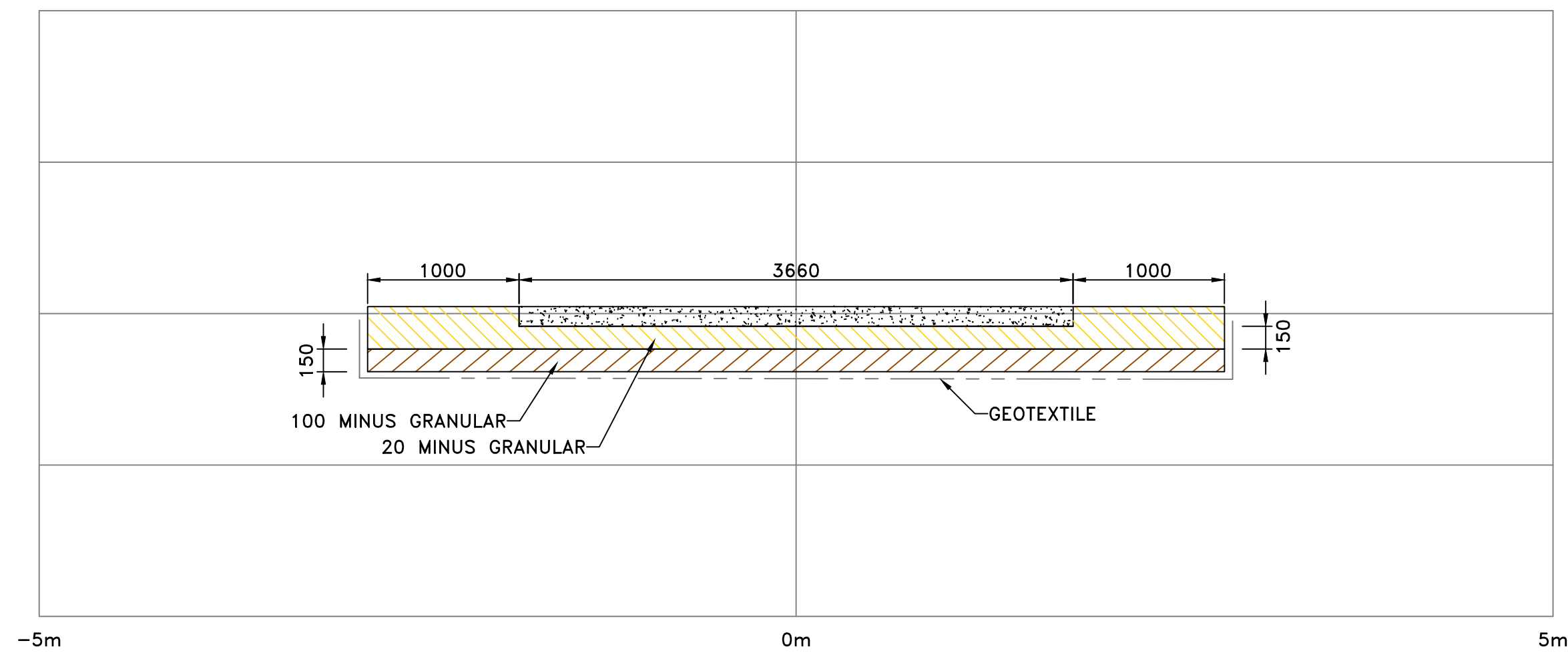
DESCRIPTION: SITE PLAN & CONSTRUCTION DETAILS

DRAWN: SCH APPROVED: SCH

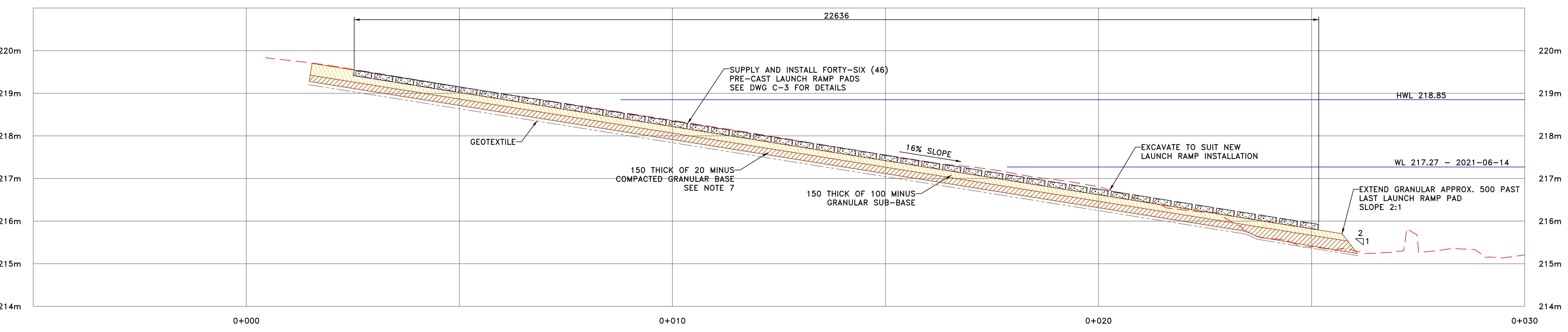
DATE: JULY 2021 DATE: JULY 2021

LOCATION: CALDERS DOCK MANITOBA

DRAWING NO.: C-2 LOCATOR CODE: 5507



LAUNCH RAMP - SECTION C-C
SCALE = 1:75



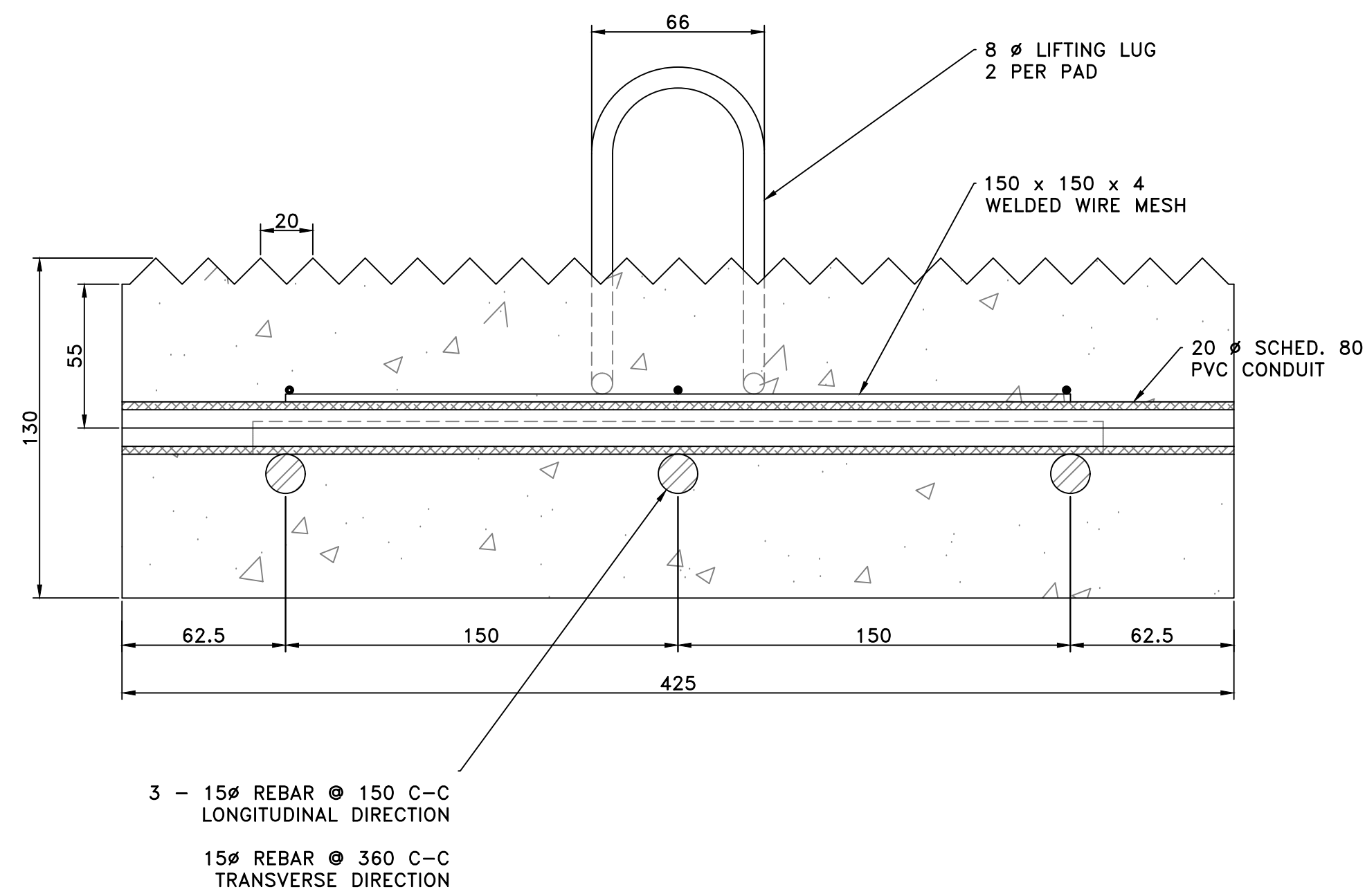
LAUNCH RAMP - SECTION B-B
SCALE = 1:75

SMALL CRAFT HARBOURS
ONTARIO AND PRAIRIE REGION

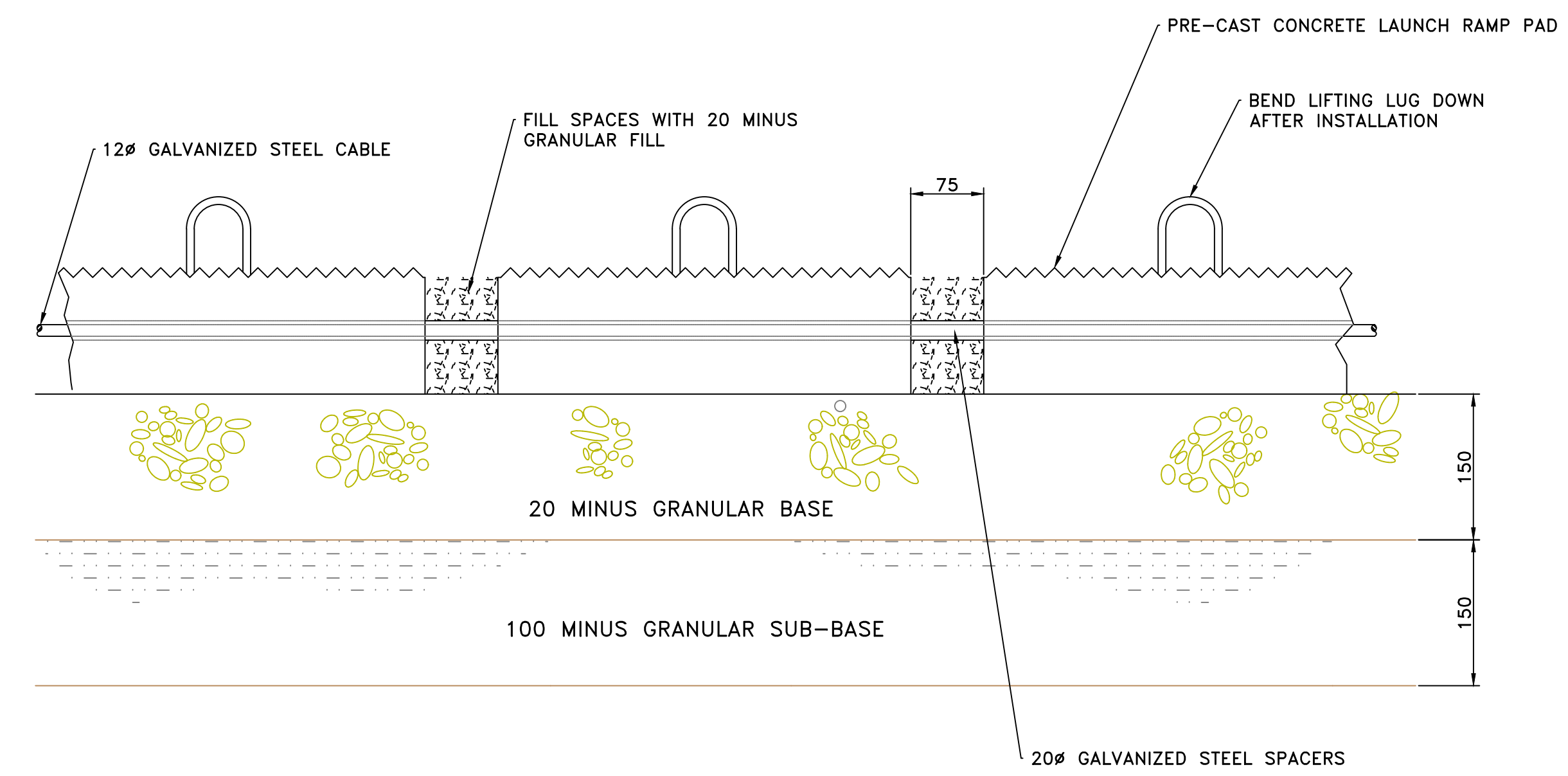


NOTES:

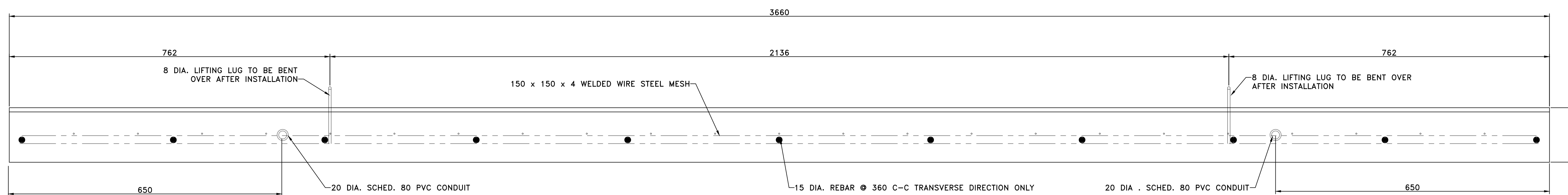
1. ALL DIMENSIONS IN MILLIMETRES UNLESS OTHERWISE STATED.
2. STEEL CABLE TO BE CONTINUOUS - FASTEN CABLE ENDS TOGETHER AT UPPER END WITH 3-GALV. CABLE CLAMPS. BURY EXPOSED CABLE WITH GRANULAR.
3. LAUNCH RAMP PADS TO BE SPACED 75mm APART WITH GALVANIZED PIPE SPACERS.



PRECAST CONCRETE PAD DETAIL
SCALE = 1:2



ASSEMBLY DETAIL
SCALE = 1:5



PRECAST CONCRETE PAD SECTION
SCALE = 1:5

REVISIONS:	DATE:
0 ISSUED FOR TENDER	JULY 2021

SCALE: AS SHOWN	CLASS:
--------------------	--------

PROJECT:
LAUNCH RAMP RECONSTRUCTION

DESCRIPTION:
ASSEMBLY DETAILS

DRAWN: SCH	APPROVED: SCH
---------------	------------------

DATE: JULY 2021	DATE: JULY 2021
--------------------	--------------------

LOCATION:
**CALDERS DOCK
MANITOBA**

DRAWING NO.: C-3	LOCATOR CODE: 5507
---------------------	-----------------------