

FOR BIDDING PURPOSES

CABLEWAY UPGRADES AND REPAIRS BIG CREEK STATIONS

08MB006 - BIG CREEK ABOVE GROUNDHOG CREEK 08MB007 - BIG CREEK BELOW GRAVEYARD CREEK

LIST OF DRAWINGS:

- DWG-01: TITLE BLOCK
- DWG-02: SITE LOCATION, LAYOUT AND PHOTOS (08MB006)
- DWG-03: SITE LOCATION, LAYOUT AND PHOTOS (08MB007)
- DWG-04: ASSET REMOVAL PLAN
- DWG-05: 08MB006 PLATE ANCHOR, ROPE ATTACHMENT AND DETAILS
- DWG-06: 08MB006 & 08MB007 PLATE ANCHOR AND ROPE ATTACHMENT
- DWG-07: FIST GRIP ATTACHMENT, TABLES, AND NOTES
- DWG-08: NEW STYLE STEEL ANCHOR PLATE DRAWING
- DWG-09: 08MB006 CABLEWAY AS-BUILT DRAWING
- DWG-10: 08MB007 CABLEWAY AS-BUILT DRAWING

Revision	Description	Date
0	ISSUED FOR TENDER	NOV 2020

Project Description Date

**BIG CREEK STATIONS
08MB006 & 08MB007
CABLEWAY UPGRADES
AND REPAIRS**

Location Emplacement

**BIG CREEK ABOVE
GROUNDHOG CREEK
BIG CREEK BELOW
GRAVEYARD CREEK
BRITISH COLUMBIA**

Designed by Conçu par

ECCC

Drawn by Dessiné par

ECCC

Approved by Approuvé par

ECCC

ECCC Project Manager Administrateur de Projets ECCC

ECCC

Drawing title Titre du dessin

TITLE BLOCK

Project no./No. du projet Drawing no./No. du dessin Revision no.

2021-16

DWG-01

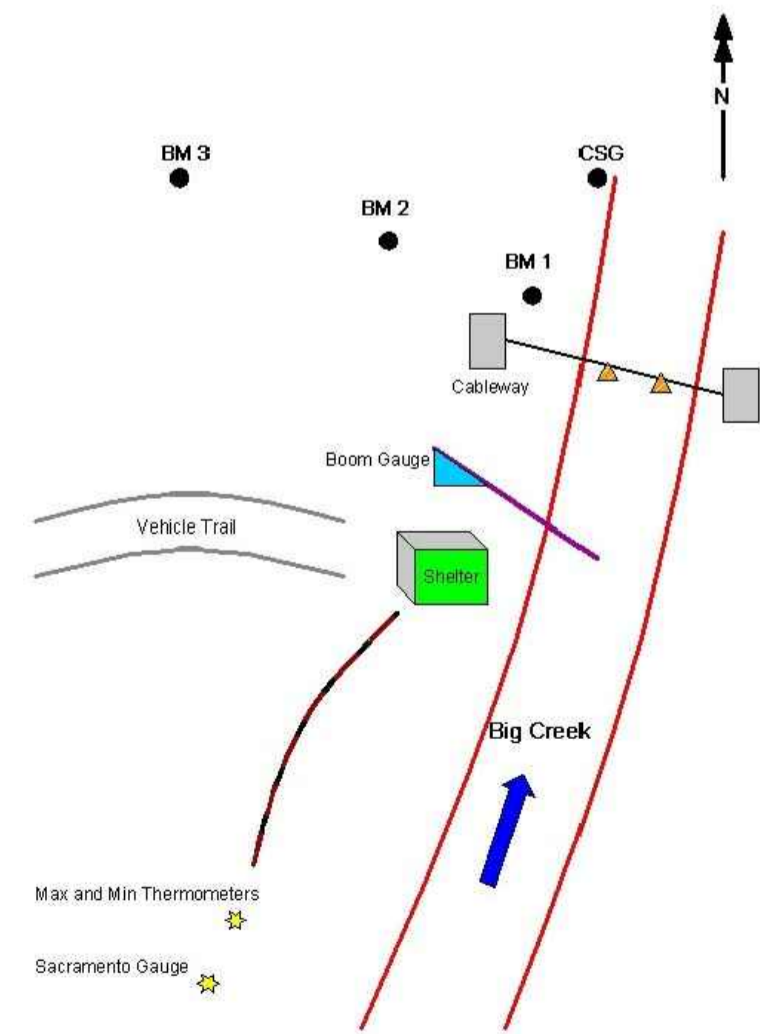
0



LOCATION MAP



CABLEWAY ADJACENT AREA



SITE LAYOUT DIAGRAM

HOME SIDE



PHOTO 1: A-FRAME AND COMPONENTS



PHOTO 2: A-FRAME BACK VIEW



PHOTO 3: CABLE FITTING



PHOTO 4: HOME SIDE ANCHOR CABLE TERMINATION AND TURNBUCKLE

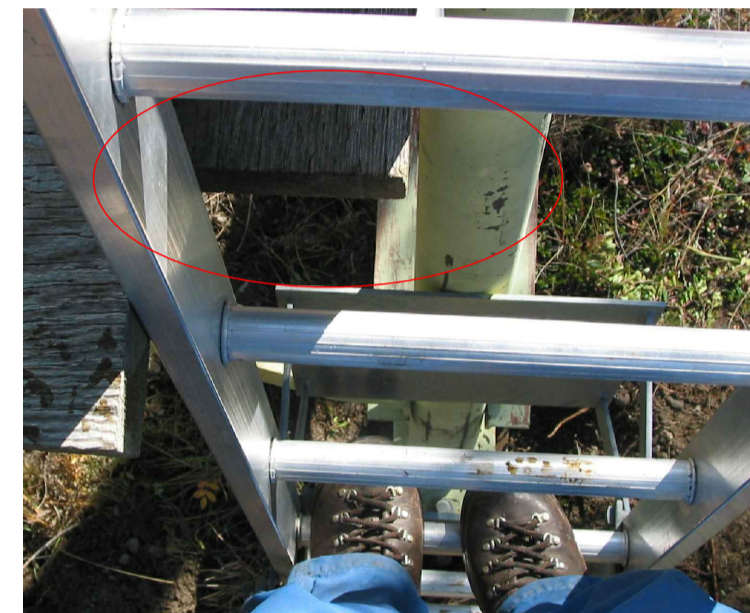


PHOTO 5: HOME SIDE LADDER - RE-INSTALL LADDER SO THAT TOP RUNG IS LEVEL WITH THE PLATFORM. CUT DECK PLANK BY APPROXIMATELY 3"X5" AT LADDER LOCATION.



PHOTO 6: HOME SIDE A-FRAME SAFETY BAR - INSTALL A-FRAME SAFETY BAR BETWEEN A-FRAME LEGS AND SIDE GUARDRAIL

FAR SIDE



PHOTO 7: ANCHOR ROD



PHOTO 8: VIEW FROM FAR SIDE



PHOTO 9: VIEW FROM HOME SIDE. NOTE HILL ON FAR SIDE



PHOTO 10: SIDE-HILL ANCHOR



PHOTO 11: REPLACE HILL-SIDE ANCHORS SIDE VIEW



PHOTO 12: REPLACE HILL-SIDE ANCHORS TOP VIEW

FOR BIDDING PURPOSES

- NOTES:
- CONTRACTOR RESPONSIBLE TO REMOVE METAL FROM SITE.
 - PHOTOS SHOW EXISTING CONDITION.
 - CONTRACTOR TO PERFORM WORK AS DESCRIBED IN PHOTO 5, PHOTO 6, AND PHOTO 11.

Revision	Description	Date
0	ISSUED FOR TENDER	APRIL 2021

BIG CREEK STATIONS 08MB006 & 08MB007 CABLEWAY UPGRADES AND REPAIRS

Location: BIG CREEK ABOVE GROUNDHOG CREEK
BIG CREEK BELOW GRAVEYARD CREEK
BRITISH COLUMBIA

Designed by: ECCC
Drawn by: ECCC
Approved by: ECCC
ECCC Project Manager: ECCC
Drawing title: SITE LOCATION, LAYOUT AND PHOTOS (08MB006)

Project no./No. du projet	Drawing no./No. du dessin	Revision no.
2021-16	DWG-02	0

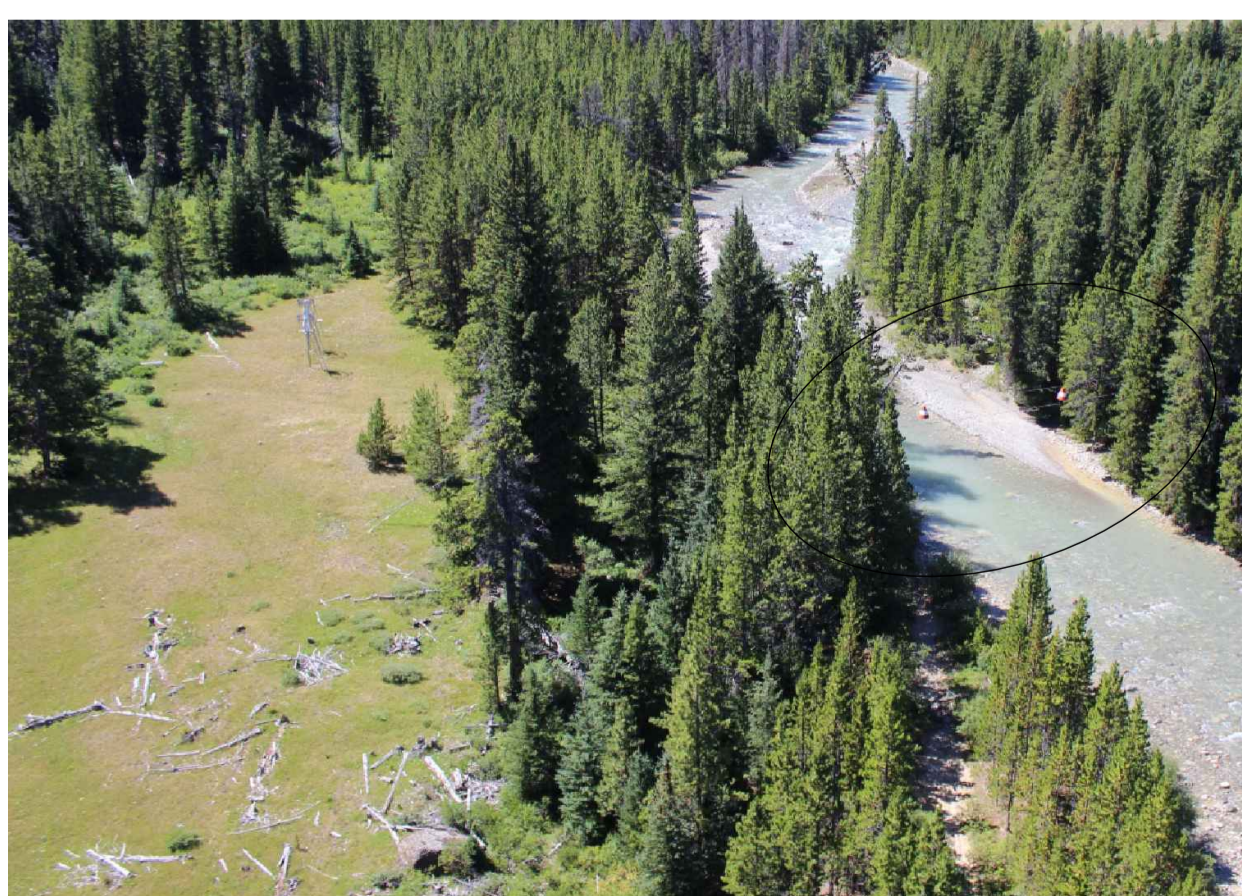
FOR BIDDING PURPOSES

- NOTES:
- CONTRACTOR RESPONSIBLE TO REMOVE METAL FROM SITE.
 - PHOTOS SHOW EXISTING CONDITION.
 - CONTRACTOR TO PERFORM WORK AS DESCRIBED IN PHOTO 3 AND PHOTO 6.
 - ECCC WILL PROVIDE GUARD RAIL AND BOLTS FOR INSTALLATION. CONTRACTOR TO BRING TOOLS TO INSTALL.

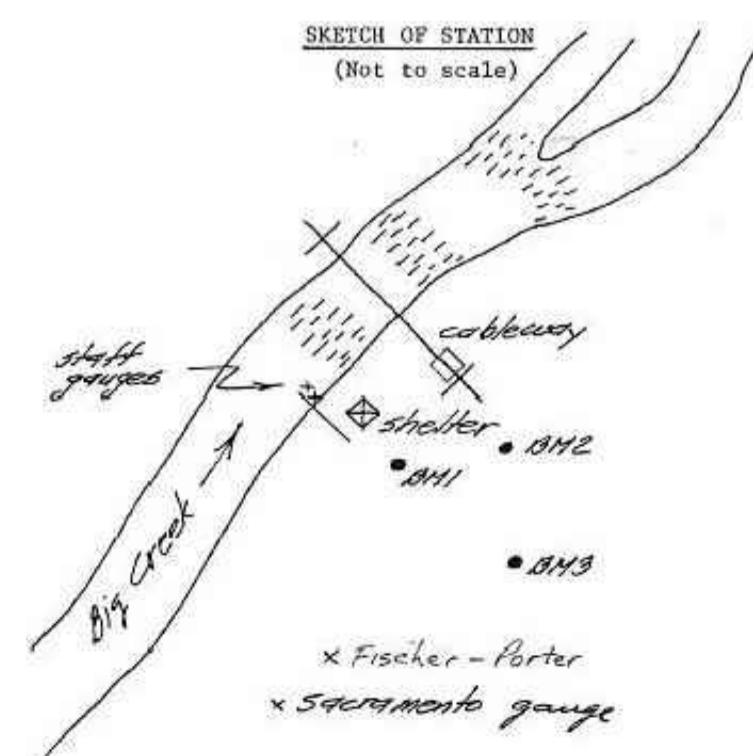
HOME SIDE



LOCATION MAP



CABLEWAY ADJACENT AREA



SITE LAYOUT DIAGRAM



PHOTO 1: HOME SIDE PLATFORM



PHOTO 2: A-FRAME BACK VIEW



PHOTO 3: HOME SIDE LADDER - INSTALL PLATFORM RAILING ON SIDE INDICATED, SAFETY RAIL BETWEEN A-FRAME LEGS AND BETWEEN A-FRAME AND GUARDRAIL. RE-INSTALL LADDER SO THAT BOTTOM RUNG IS WITHIN 14" OFF THE GROUND



PHOTO 4: CABLE LAYOUT

FAR SIDE

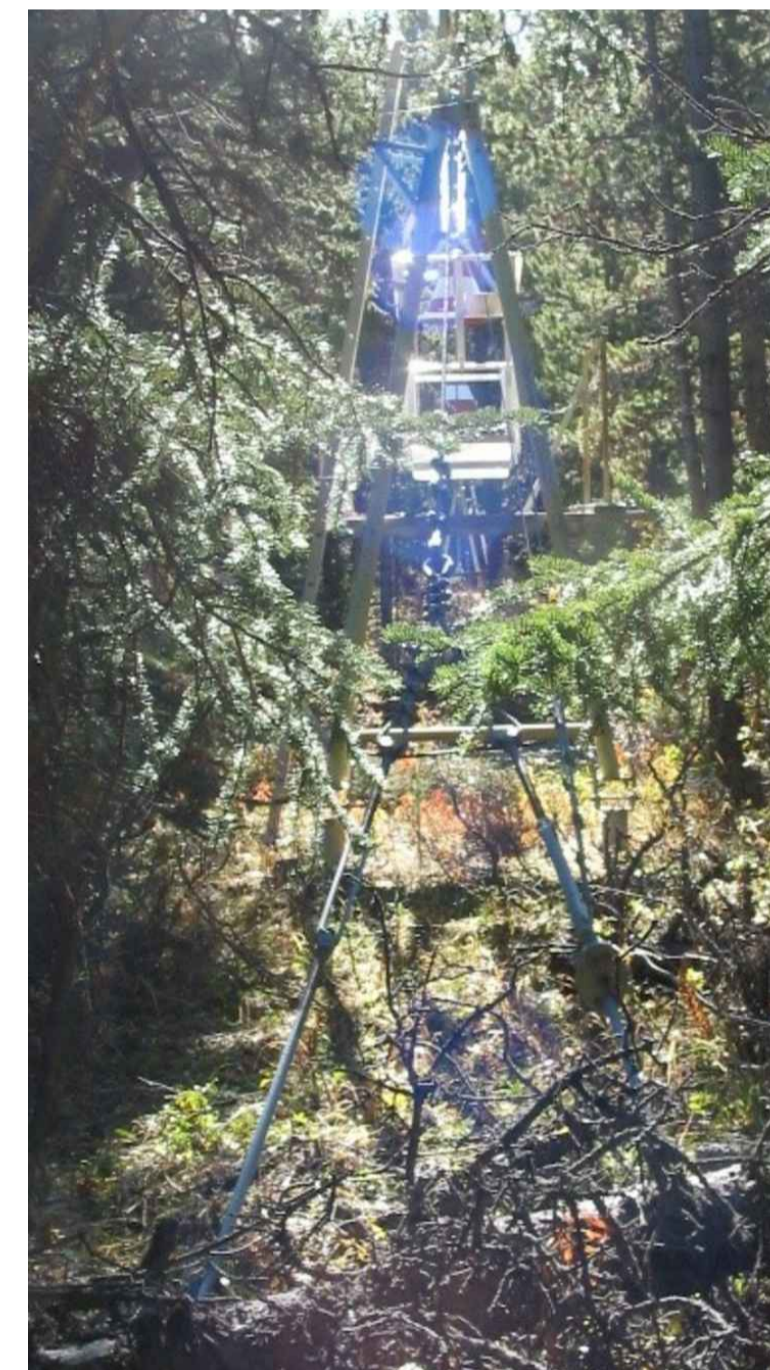


PHOTO 5: A-FRAME BACK VIEW



PHOTO 6: CABLE LAYOUT



PHOTO 7: A-FRAME AND COMPONENTS



PHOTO 8: A-FRAME BASE AND TOP OF FOOTINGS



PHOTO 9: FAR SIDE A-FRAME LEG - INSTALL SAFETY RAIL BETWEEN A-FRAME LEGS AND BETWEEN SIDE RAIL AND A-FRAME LEG

0	ISSUED FOR TENDER	NOV 2020
Revision	Description	Date
Project		Projet

**BIG CREEK STATIONS
08MB006 & 08MB007
CABLEWAY UPGRADES
AND REPAIRS**

Location: **BIG CREEK ABOVE
GROUNDHOG CREEK
BIG CREEK BELOW
GRAVEYARD CREEK
BRITISH COLUMBIA**

Designed by
ECCC
Contre par

Drawn by
ECCC
Desiné par

Approved by
ECCC
Approuvé par

ECCC Project Manager
ECCC
Administrateur de Projets ECCC

Drawing title
Titre du dessin

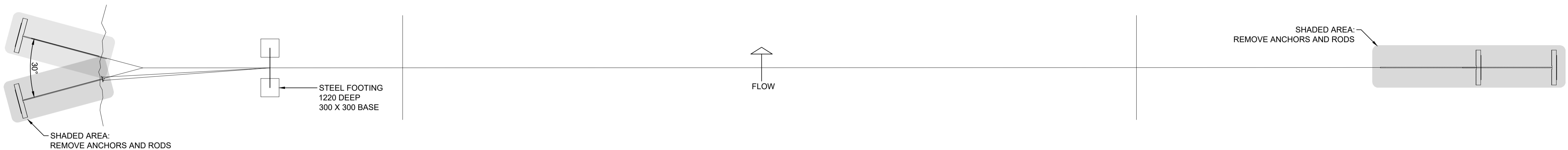
**SITE LOCATION, LAYOUT
AND PHOTOS (08MB007)**

Project no./No. du projet	Drawing no./No. du dessin	Revision no.
2021-16	DWG-03	0

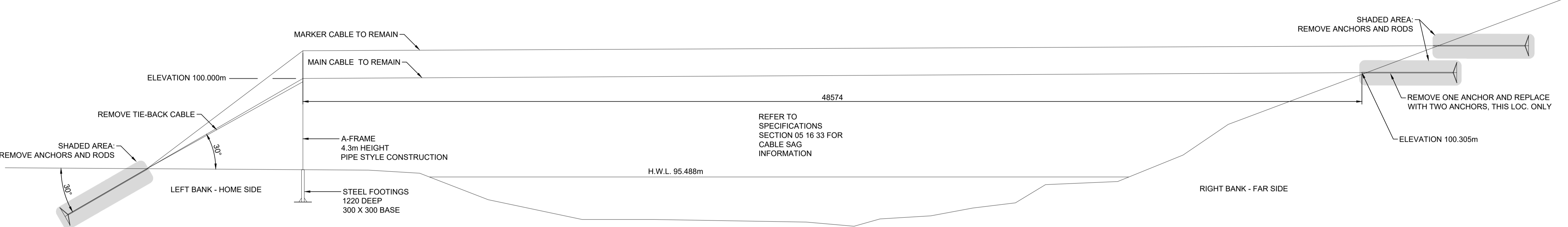
FOR BIDDING PURPOSES

NOTES:

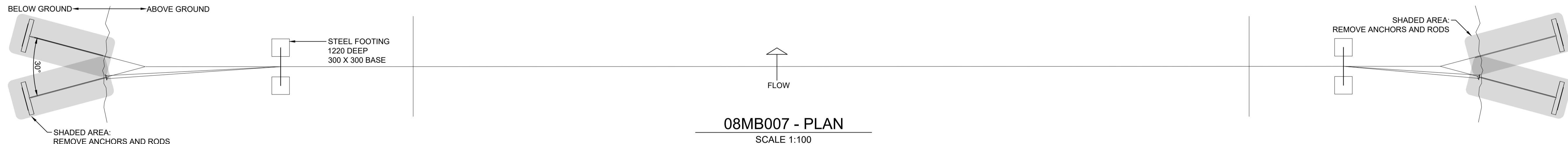
- DIMENSIONS IN MILLIMETERS UNLESS OTHERWISE STATED.
- NOTE ALL TOWERS ARE PIN CONNECTED AT FOOTING/TOWER CONNECTION AND FREE TO ROTATE WITHOUT CABLES ATTACHED.



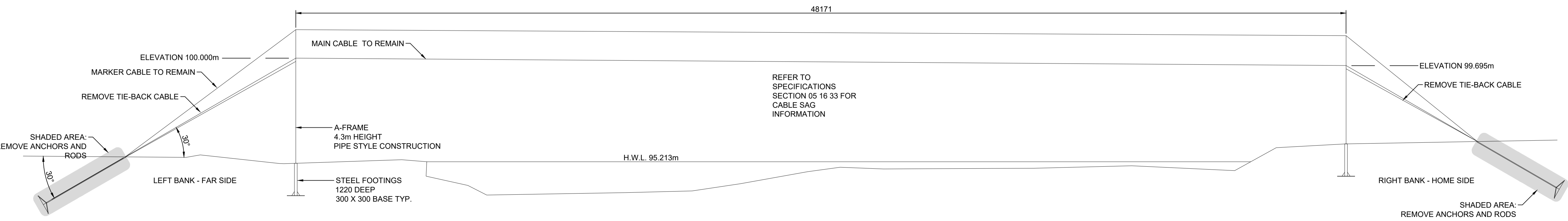
08MB006 - PLAN
SCALE 1:100



08MB006 - SECTION
SCALE 1:100



08MB007 - PLAN
SCALE 1:100



08MB007 - SECTION
SCALE 1:100

Revision	Description	Date
0	ISSUED FOR TENDER	APRIL 2021

**BIG CREEK STATIONS
08MB006 & 08MB007
CABLEWAY UPGRADES
AND REPAIRS**

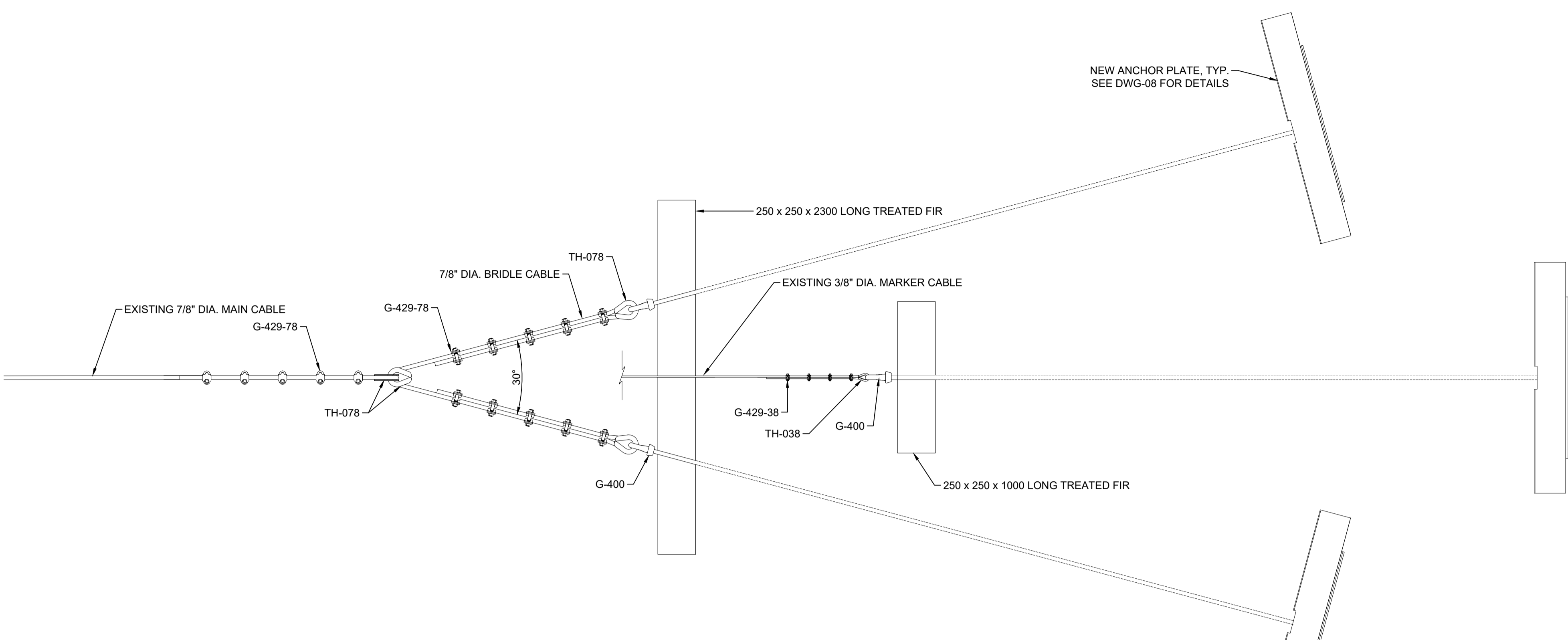
Location: **BIG CREEK ABOVE
GROUNDHOG CREEK
BIG CREEK BELOW
GRAVEYARD CREEK
BRITISH COLUMBIA**

Designed by: **ECCC** Conçu par: **ECCC**
 Drawn by: **ECCC** Dessiné par: **ECCC**
 Approved by: **ECCC** Approuvé par: **ECCC**
 ECCC Project Manager / Administrateur de Projets ECCC
 Drawing title: **ASSET REMOVAL PLAN** Titre du dessin: **ASSET REMOVAL PLAN**

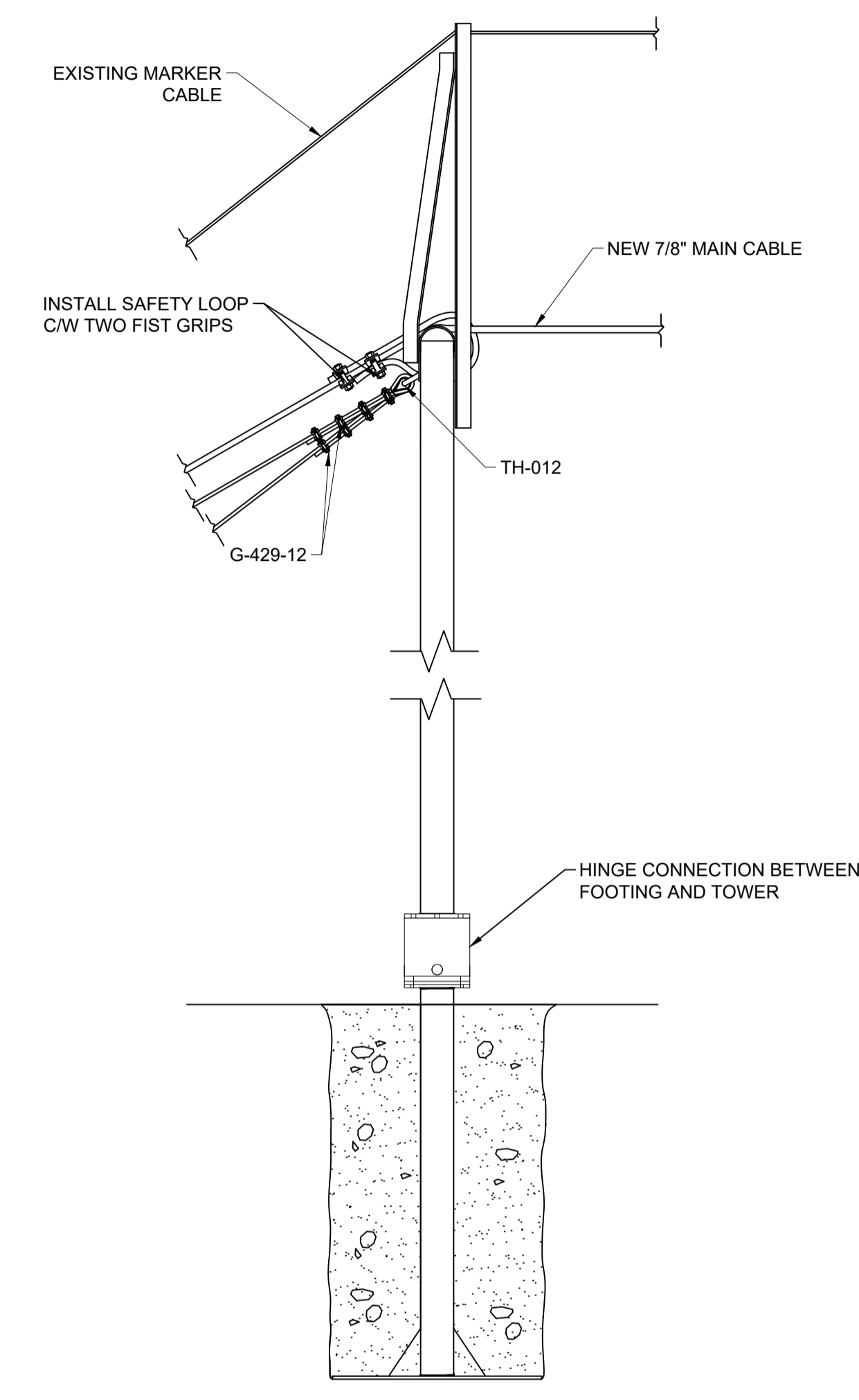
Project no./No. du projet	Drawing no./No. du dessin	Revision no.
2021-16	DWG-04	0

FOR BIDDING PURPOSES

- NOTES:**
- ALL DIMENSION IN MILLIMETERS UNLESS STATED OTHERWISE.
 - ENVIRONMENT AND CLIMATE CHANGE CANADA WILL PROVIDE:
 - ANCHOR PLATES
 - ANCHOR RODS
 - ANCHOR ROD PLATE
 - PLATE CONNECTOR U-BAR AND NUTS
 - ITEMS LISTED IN TABLE 1 (DWG-07)
 - HELICOPTER PER SPECIFICATIONS
 - CONTRACTOR TO VERIFY ALL DIMENSIONS PRIOR TO START OF WORK.
 - ALL ITEMS SHOWN ARE NEW U.N.O.
 - ECCC WILL PLACE TH-100 AROUND G-400 EYE NUT.
 - CONTRACTOR RESPONSIBLE FOR SPARE PARTS AS REQUIRED TO REPLACE DAMAGED DURING CONSTRUCTION PARTS.
 - CONTRACTOR RESPONSIBLE TO PROVIDE ALL WORK/EQUIPMENT REQUIRED TO HAVE FUNCTIONAL CABLEWAY AS INTENDED IN THIS PROJECT
 - ON SLOPES GREATER THAN 25 DEGREES, USE WOVEN, BIODEGRADABLE MATTING SUITABLE FOR 30 DEGREE OR GREATER SLOPE. SECURE PER MANUFACTURER'S GUIDELINES. REFER TO SPECIFICATIONS, SECTION 31 23 33 01, PART 3.9 RESTORATION.

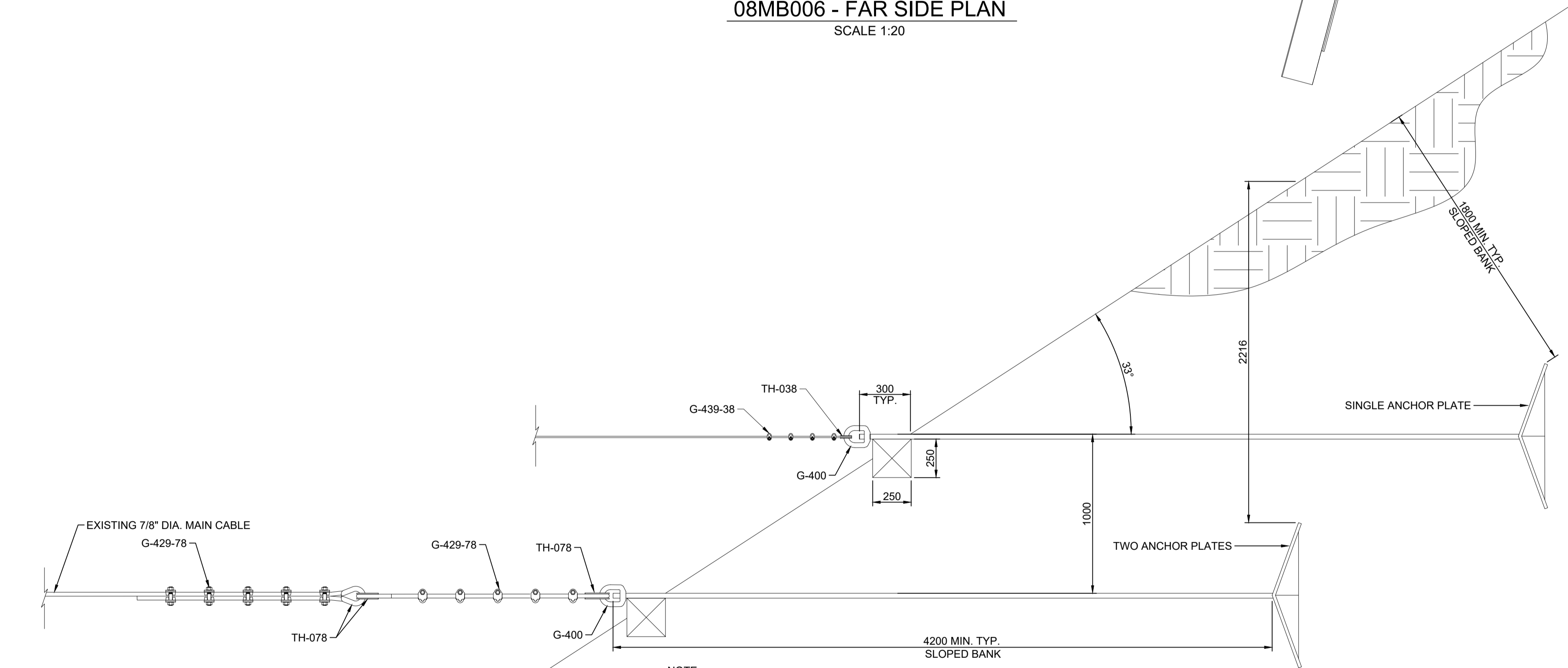


08MB006 - FAR SIDE PLAN
SCALE 1:20



- NOTE:**
- GENERAL LAYOUT OF TOWER & FOOTING SHOWN
 - SITE SPECIFIC TOWER AND FOOTING DIMENSIONS MAY VARY
 - TOWER AND FOOTINGS ARE PIN CONNECTED AND ARE FREE TO ROTATE WITHOUT CABLES ATTACHED

SAFETY LOOP
SCALE 1:20



08MB006 - FAR SIDE ELEVATION
SCALE 1:20

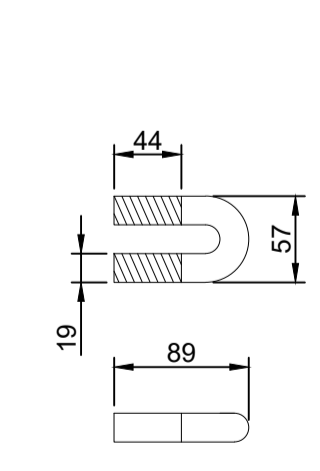
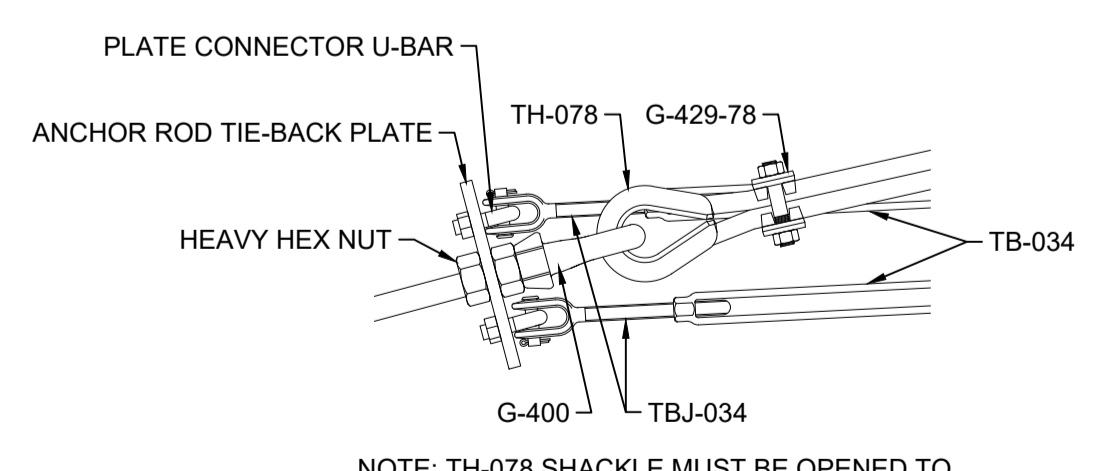


PLATE CONNECTOR U-BAR
SCALE 1:5



DETAIL CONNECTION A
SCALE 1:10

NOTE: TH-078 SHACKLE MUST BE OPENED TO FIT AROUND G-400 EYE NUT

Revision	Description	Date
0	ISSUED FOR TENDER	APRIL 2021

**BIG CREEK STATIONS
08MB006 & 08MB007
CABLEWAY UPGRADES
AND REPAIRS**

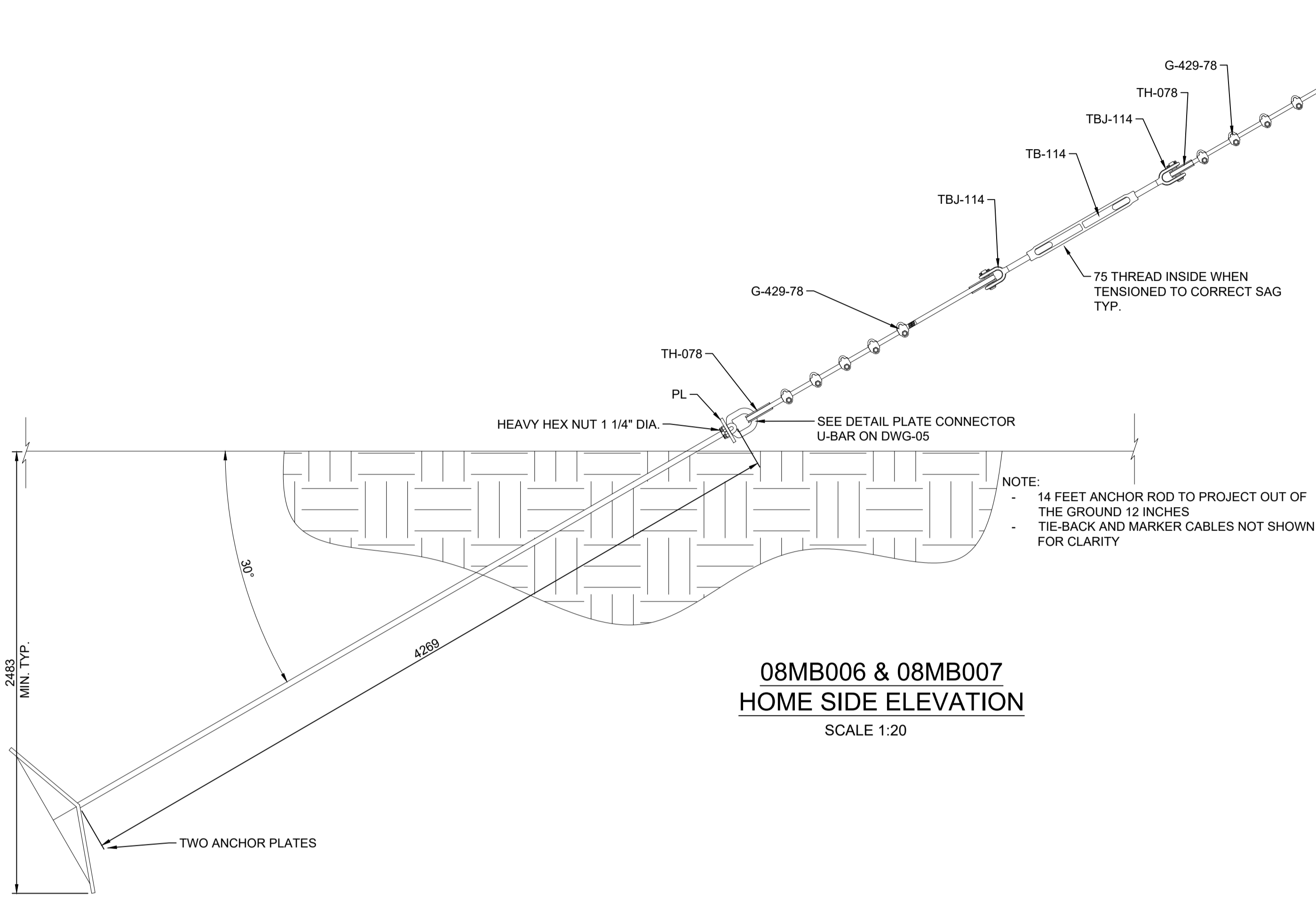
Location	Emplacement
BIG CREEK ABOVE GROUNDHOG CREEK BIG CREEK BELOW GRAVEYARD CREEK BRITISH COLUMBIA	
Designed by ECCC	Conçu par ECCC
Drawn by ECCC	Dessiné par ECCC
Approved by ECCC	Approuvé par ECCC
ECCC Project Manager ECCC	Administrateur de Projets ECCC ECCC
Drawing title	Titre du dessin

**08MB006
PLATE ANCHOR, ROPE
ATTACHMENT AND
DETAILS**

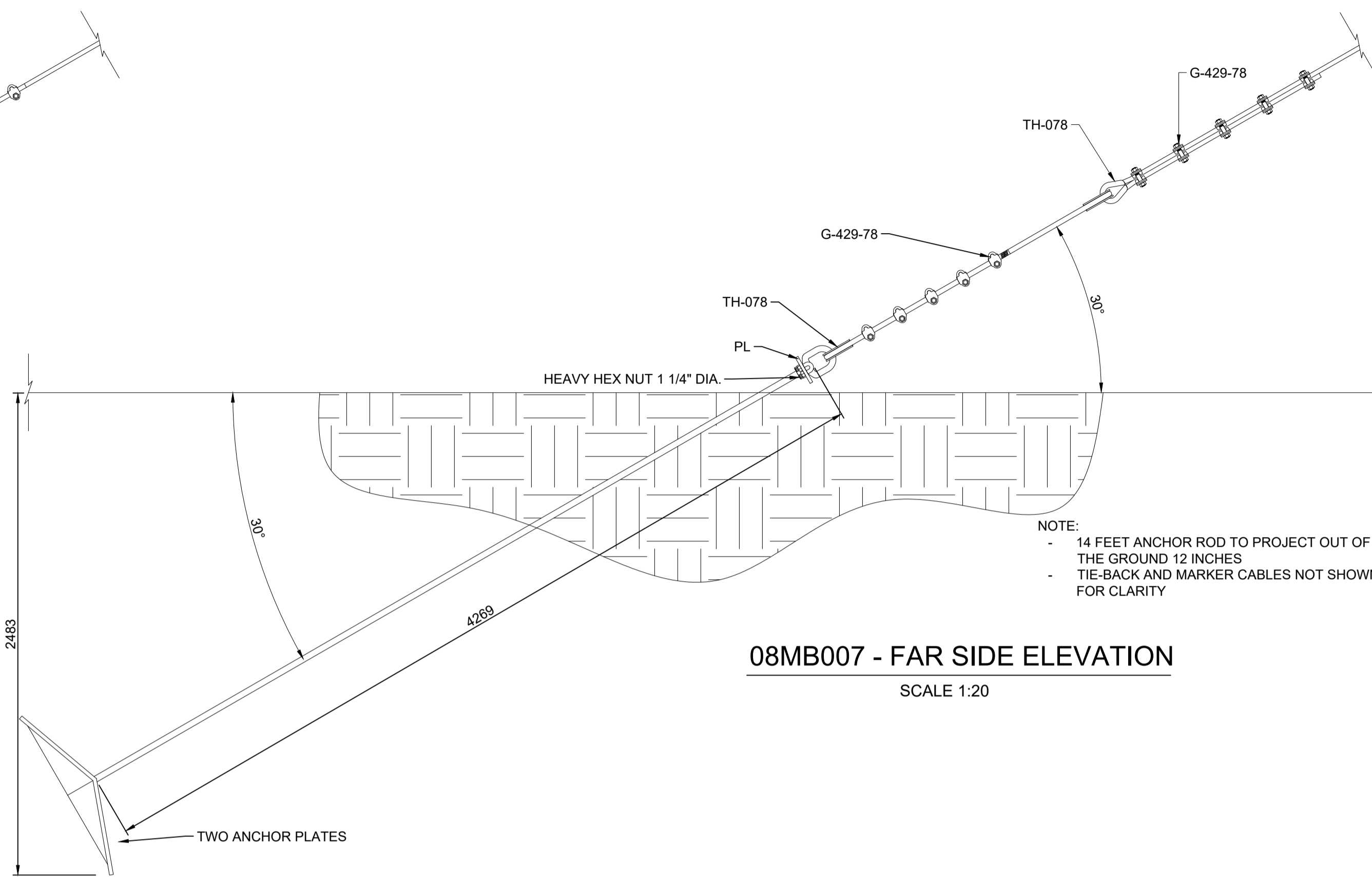
Project no./No. du projet	Drawing no./No. du dessin	Revision no.
2021-16	DWG-05	0

FOR BIDDING PURPOSES

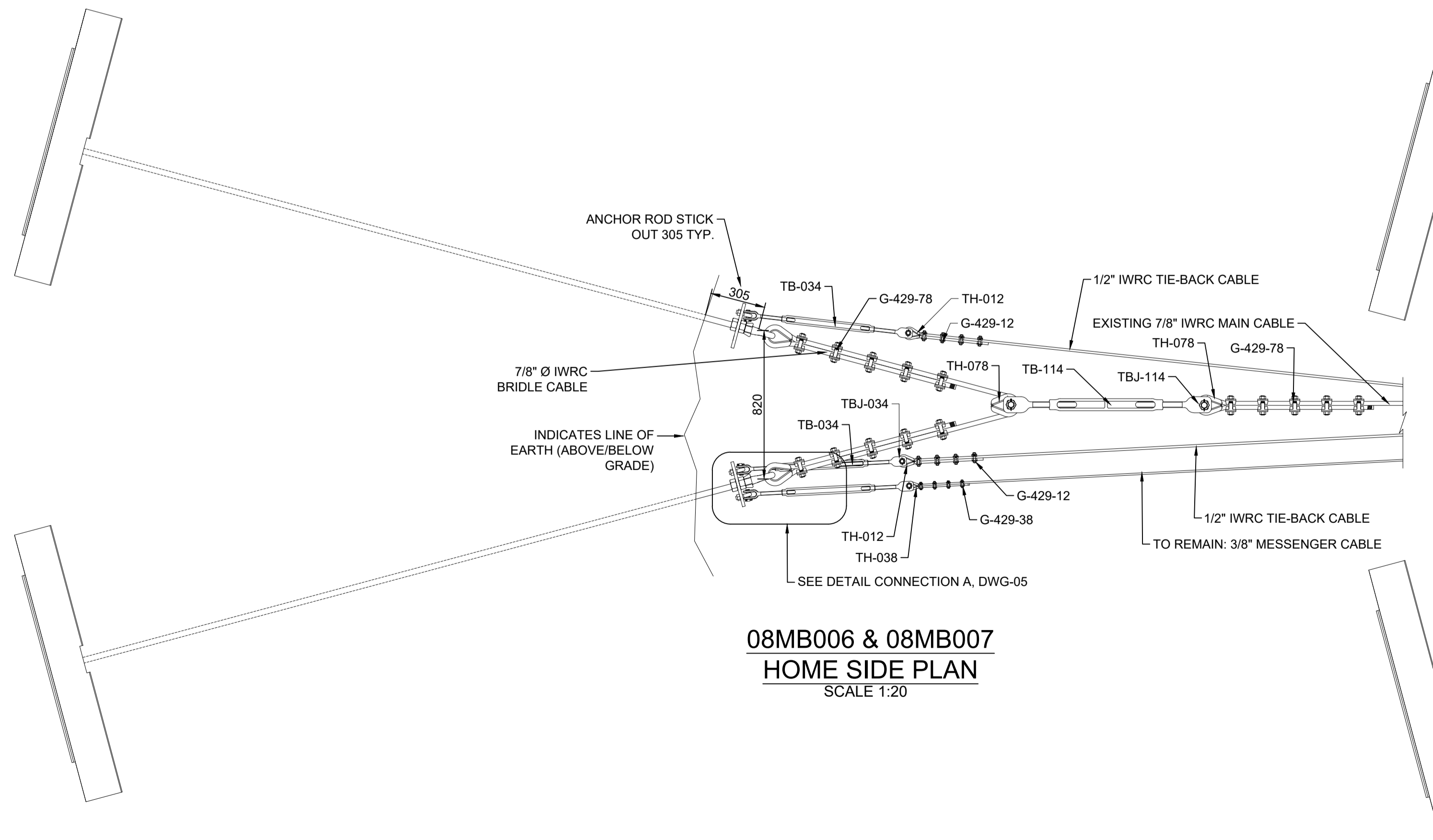
- NOTES:**
- ALL DIMENSION IN MILLIMETERS UNLESS STATED OTHERWISE.
 - ENVIRONMENT AND CLIMATE CHANGE CANADA WILL PROVIDE:
 - ANCHOR PLATES
 - ANCHOR RODS
 - ANCHOR ROD PLATE
 - PLATE CONNECTOR U-BAR AND NUTS
 - ITEMS LISTED IN TABLE 1 AND TABLE 2, DWG-07
 - HELICOPTER PER SPECIFICATIONS
 - CONTRACTOR TO VERIFY ALL DIMENSIONS PRIOR TO START OF WORK
 - ALL ITEMS SHOWN ARE NEW U.N.O.
 - ECCC WILL PLACE TH-078 AROUND G-400 EYE NUT
 - CONTRACTOR RESPONSIBLE FOR SPARE PARTS REQUIRED TO REPLACE DAMAGED DURING CONSTRUCTION PARTS
 - ECCC RESPONSIBLE FOR SUPPLYING CABLE(S)
 - CONTRACTOR RESPONSIBLE TO PROVIDE ALL WORK/EQUIPMENT REQUIRED TO HAVE FUNCTIONAL CABLEWAY AS INTENDED IN THIS PROJECT.
 - INSTALL CABLEWAY DANGER SIGN PROVIDED BY ECCC.



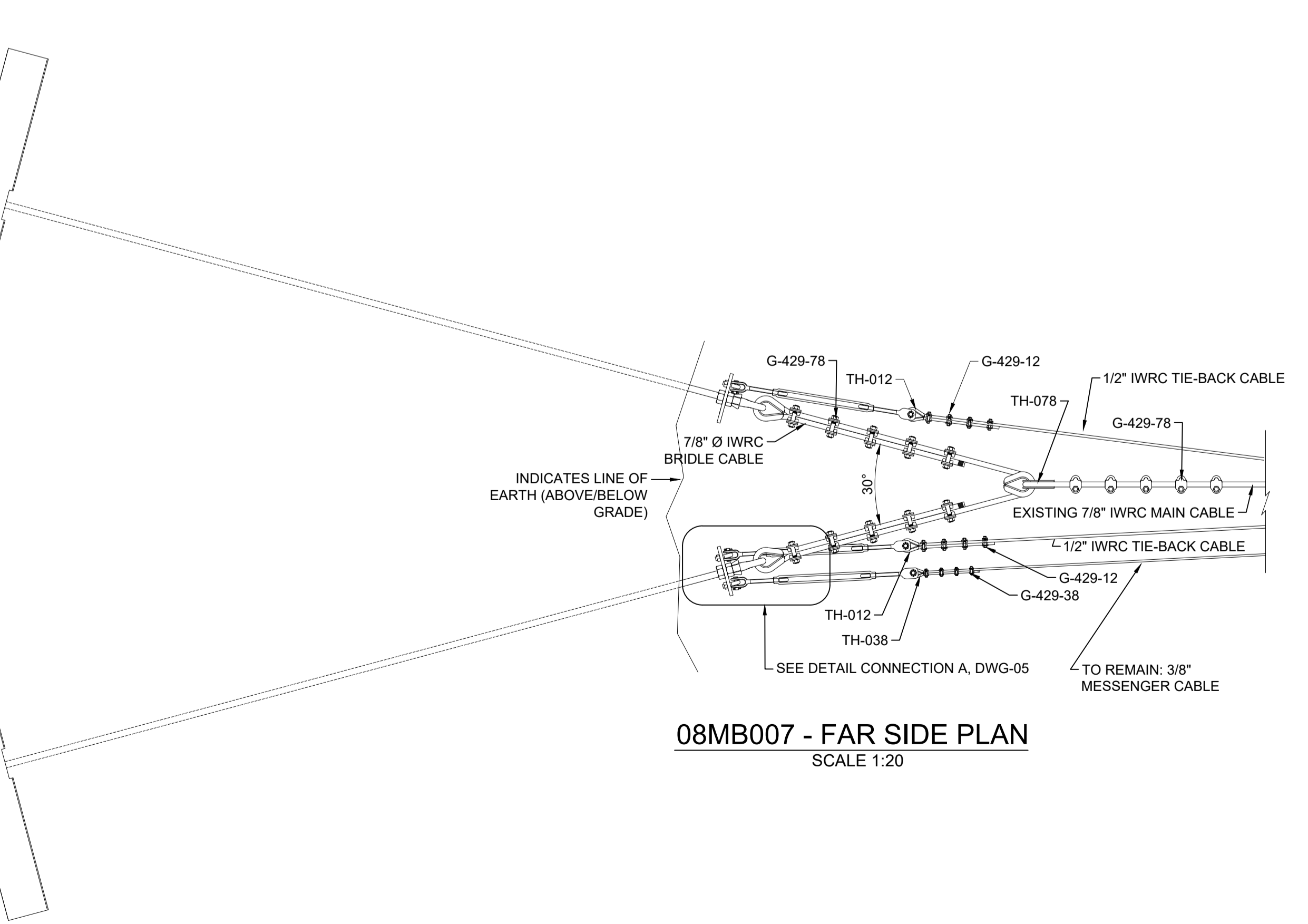
**08MB006 & 08MB007
HOME SIDE ELEVATION**
SCALE 1:20



08MB007 - FAR SIDE ELEVATION
SCALE 1:20



**08MB006 & 08MB007
HOME SIDE PLAN**
SCALE 1:20



08MB007 - FAR SIDE PLAN
SCALE 1:20

Revision	Description	Date
0	ISSUED FOR TENDER	APRIL 2021

Project: _____

**BIG CREEK STATIONS
08MB006 & 08MB007
CABLEWAY UPGRADES
AND REPAIRS**

Location: _____

**BIG CREEK ABOVE
GROUNDHOG CREEK
BIG CREEK BELOW
GRAVEYARD CREEK
BRITISH COLUMBIA**

Designed by: ECCC
Drawn by: ECCC
Approved by: ECCC
ECCC Project Manager

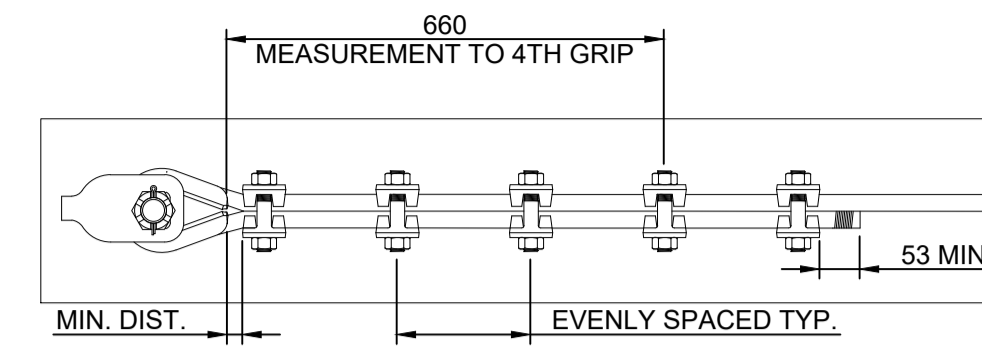
**08MB006 & 08MB007
PLATE ANCHOR AND ROPE
ATTACHMENT**

Project no./No. du projet	Drawing no./No. du dessin	Revision no.
2021-16	DWG-06	0

FOR BIDDING PURPOSES

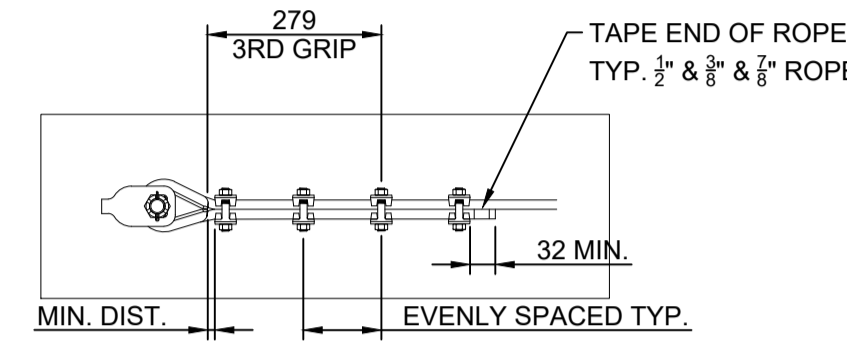
ID #	DESCRIPTION	QUANTITY
G-429-78	CROSBY 429 GRIP CLIPS 7/8" DIA.	34
G-429-12	CROSBY 429 GRIP CLIPS 1/2" DIA.	32
G-429-38	CROSBY 429 GRIP CLIPS 3/8" DIA.	8
TH-078	THIMBLE 7/8"	8
TH-012	THIMBLE 1/2"	8
TH-038	THIMBLE 3/8"	9
TB-114	CROSBY TURNBUCKLE 1 1/4"	1
TB-034	CROSBY TURNBUCKLE 3/4"	4
TBJ-114	CROSBY JAW END 1 1/4" DIA.	1
TBJ-034	CROSBY JAW END 3/4" DIA.	6
G-400	CROSBY 400 EYE NUT	5
PL	ANCHOR ROD TIE-BACK PLATE	2

ID #	DESCRIPTION	QUANTITY
G-429-78	CROSBY 429 GRIP CLIPS 7/8" DIA.	34
G-429-12	CROSBY 429 GRIP CLIPS 1/2" DIA.	32
G-429-38	CROSBY 429 GRIP CLIPS 3/8" DIA.	8
TH-078	THIMBLE 7/8"	8
TH-012	THIMBLE 1/2"	8
TH-038	THIMBLE 3/8"	9
TB-114	CROSBY TURNBUCKLE 1 1/4"	1
TB-034	CROSBY TURNBUCKLE 3/4"	4
TBJ-114	CROSBY JAW END 1 1/4" DIA.	1
TBJ-034	CROSBY JAW END 3/4" DIA.	6
G-400	CROSBY 400 EYE NUT	4
PL	ANCHOR ROD TIE-BACK PLATE	2



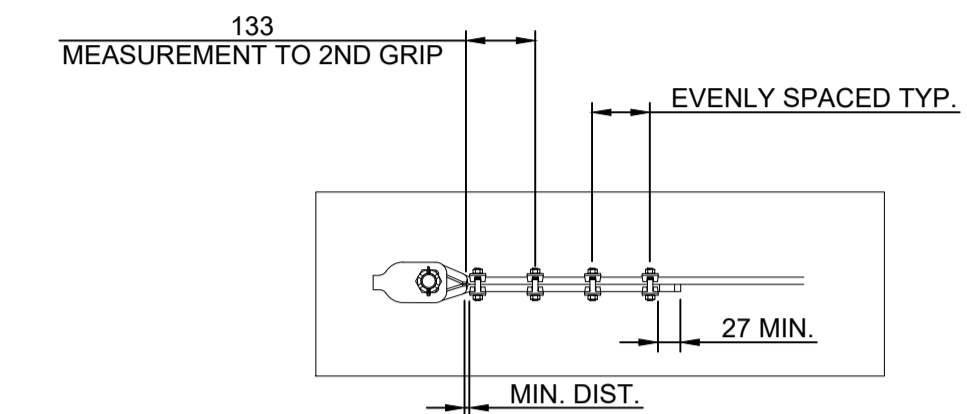
7/8 INCH FIST GRIP SPACING

SCALE 1:10



1/2 INCH FIST GRIP SPACING

SCALE 1:10



3/8 INCH FIST GRIP SPACING

SCALE 1:10

ID #	DESCRIPTION	BASE WIDTH H	WSC NUMBER OF REQUIRED GRIPS (N)	DISTANCE FROM THIMBLE TO INDICATED GRIP
G-429-78	CROSBY 429 GRIP CLIPS 7/8" DIA.	53.85	4 + 1	660 TO 4TH
G-429-12	CROSBY 429 GRIP CLIPS 1/2" DIA.	31.75	3 + 1	279 TO 3RD
G-429-38	CROSBY 429 GRIP CLIPS 3/8" DIA.	27.0	2 + 2	133 TO 2ND

ALL SPACING BETWEEN CLIPS SHALL BE UNIFORM AND EQUAL

WORK INCLUDES:

08MB006:

LEFT BANK HOME SIDE:

- A) REMOVE EXISTING OLD-STYLE 12' ANCHORAGE SYSTEM AND INSTALL NEW 14' DOUBLE PLATE ANCHORS
- B) REMOVE 3/8" TIEBACK CABLE ON THE HOME-SIDE BANK AND INSTALL TWO NEW 1/2" IWRC TIEBACK CABLES
- C) INSTALL ALL CABLE ACCESSORIES (CLAMPS, TURNBUCKLES, THIMBLES) IN ACCORDANCE WITH MANUFACTURER SPECIFICATIONS
- D) BACKFILL IN 300 LIFTS PER SPECIFICATIONS
- E) INSTALL MAIN CABLE SAFETY LOOP

RIGHT BANK FAR SIDE:

- A) REMOVE EXISTING SIDE-HILL SINGLE PLATE ANCHOR AND REPLACE WITH NEW 14' DOUBLE PLATE ANCHORS
- B) REMOVE EXISTING SIDE-HILL MESSENGER CABLE SINGLE PLATE ANCHOR REPLACE WITH NEW 14' SINGLE PLATE ANCHOR
- C) REMOVE EXISTING CABLE SUPPORT AND REPLACE WITH NEW TIMBER SUPPORT FOR CABLE
- D) INSTALL CABLEWAY DANGER SIGN

GENERAL:

- A) SET MAIN CABLE SAG TO WSC SPECIFICATIONS IN SECTION 05 16 33 OF SPECIFICATIONS AFTER ANCHORS ARE REPLACED

08MB007:

RIGHT BANK HOME SIDE:

- A) REMOVE EXISTING OLD-STYLE 12' ANCHORAGE SYSTEM AND INSTALL NEW 14' DOUBLE PLATE ANCHORS
- B) REMOVE 3/8" TIEBACK CABLE ON THE HOME-SIDE BANK AND INSTALL TWO NEW 1/2" IWRC TIEBACK CABLES
- C) INSTALL CROSBY J&J 3/4" x 18" TURNBUCKLE ON NEW TIEBACK CABLE
- D) INSTALL ALL CABLE ACCESSORIES (CLAMPS, TURNBUCKLES, THIMBLES) IN ACCORDANCE WITH MANUFACTURER SPECIFICATIONS
- E) REPLACE EXISTING MARKER CABLE TURNBUCKLE WITH NEW CROSBY J&J 3/4" x 18" TURNBUCKLE
- F) BACKFILL IN 300 LIFTS PER SPECIFICATIONS
- G) INSTALL MAIN CABLE SAFETY LOOP
- H) INSTALL RAILING ON UPSTREAM SIDE OF PLATFORM
- I) INSTALL CABLEWAY DANGER SIGN

LEFT BANK FAR SIDE:

- A) REMOVE EXISTING OLD-STYLE 12' ANCHORAGE SYSTEM AND INSTALL NEW 14' DOUBLE PLATE ANCHORS
- B) INSTALL ANCHOR TIEBACK PLATE
- C) REMOVE 3/8" TIEBACK CABLE ON THE HOME-SIDE BANK AND REPLACE WITH TWO NEW 1/2" IWRC CABLE
- D) INSTALL CROSBY J&J 3/4" x 18" TURNBUCKLE ON NEW TIEBACK CABLE
- E) INSTALL ALL CABLE ACCESSORIES (CLAMPS, TURNBUCKLES, THIMBLES) IN ACCORDANCE WITH MANUFACTURER SPECIFICATIONS
- F) BACKFILL IN 300 LIFTS PER SPECIFICATIONS
- G) INSTALL MAIN CABLE SAFETY LOOP
- H) RESET UPSTREAM A-FRAME FOOTING TO PLUMB
- I) RESET LADDER SO THAT FIRST RUNG IS WITHIN THE RANGE OF 0 TO 14 INCHES FROM THE GROUND; ENSURE THAT RUNG USED TO STEP ONTO PLATFORM IS LEVEL WITH PLATFORM
- J) REATTACH DOWNSTREAM PLATFORM RAILING DIAGONAL
- K) REINSTALL PLATFORM SAFETY CHAIN

GENERAL

- A) SET MAIN CABLE SAG TO WSC SPECIFICATIONS IN SECTION 05 16 33 OF SPECIFICATIONS AFTER ANCHORS ARE REPLACED

0	ISSUED FOR TENDER	APRIL 2021
Revision	Description	Date
Project		Project

**BIG CREEK STATIONS
08MB006 & 08MB007
CABLEWAY UPGRADES
AND REPAIRS**

Location: Emplacement

**BIG CREEK ABOVE
GROUNDHOG CREEK
BIG CREEK BELOW
GRAVEYARD CREEK
BRITISH COLUMBIA**

Designed by ECCC	Conçu par ECCC
Drawn by ECCC	Dessiné par ECCC
Approved by ECCC	Approuvé par ECCC
ECCC Project Manager ECCC	Administrateur de Projets ECCC ECCC
Drawing title	Titre du dessin

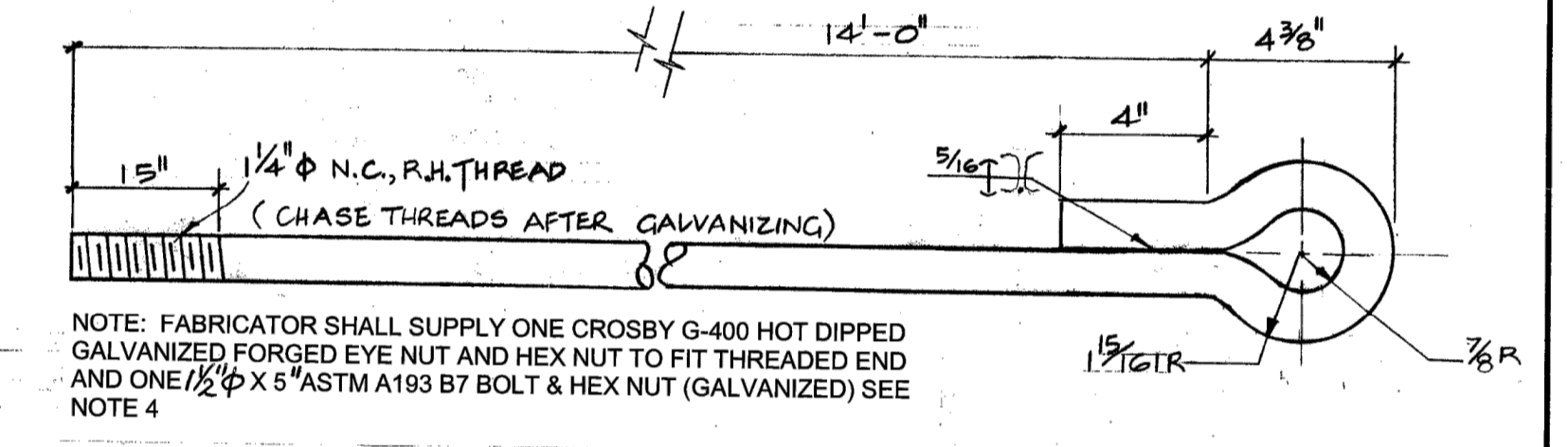
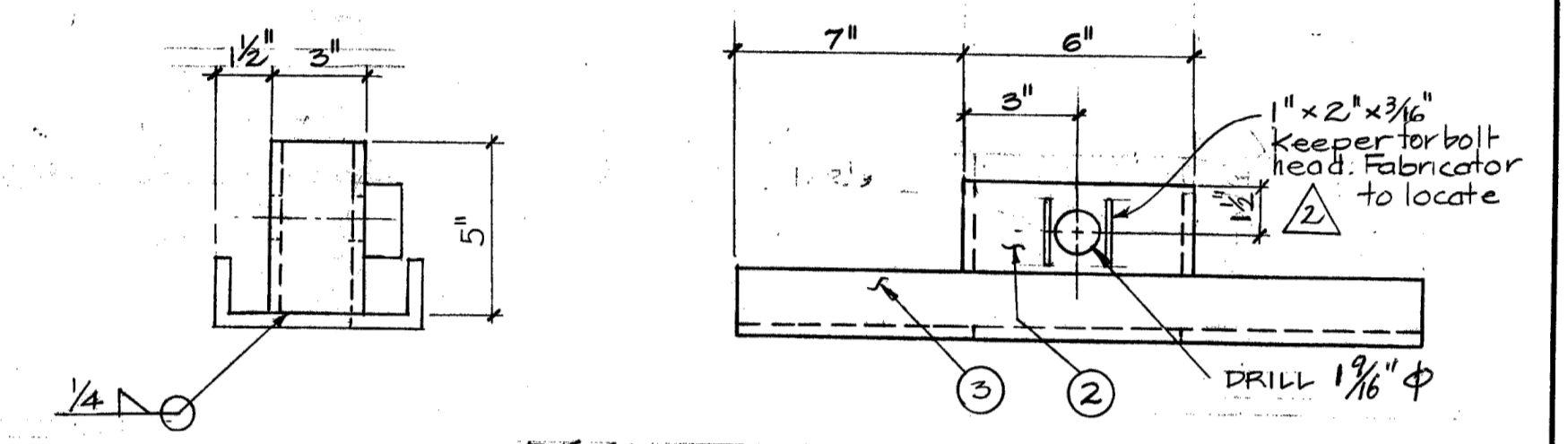
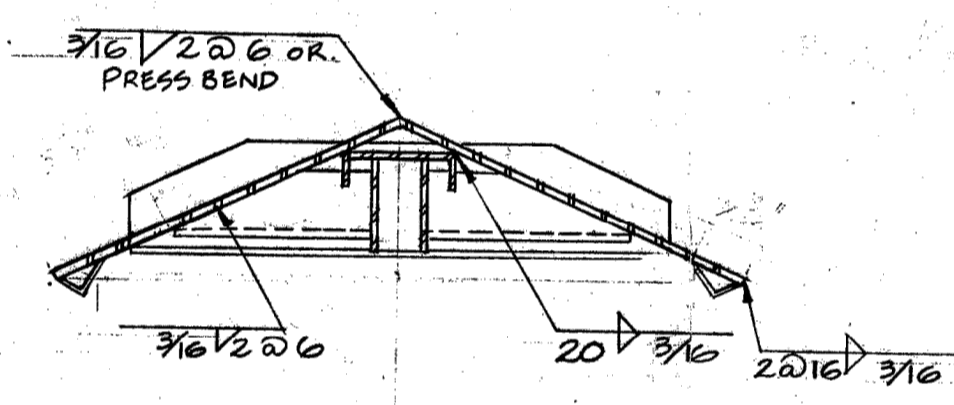
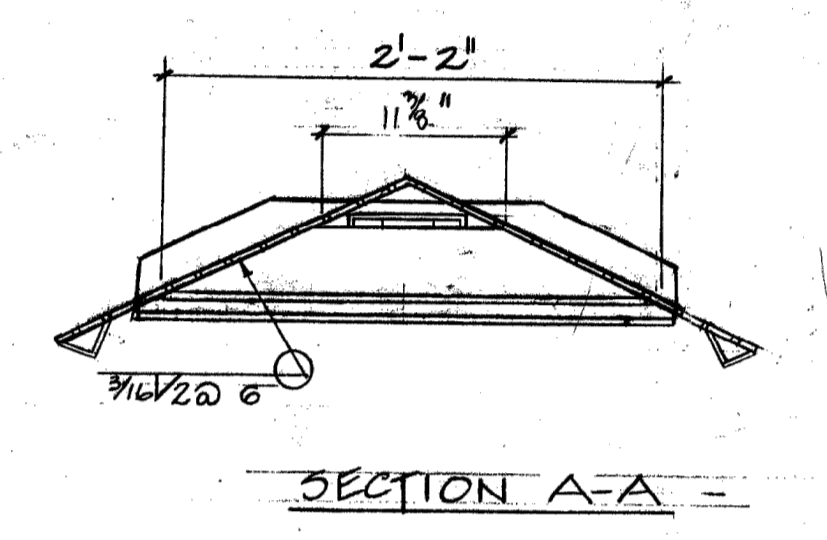
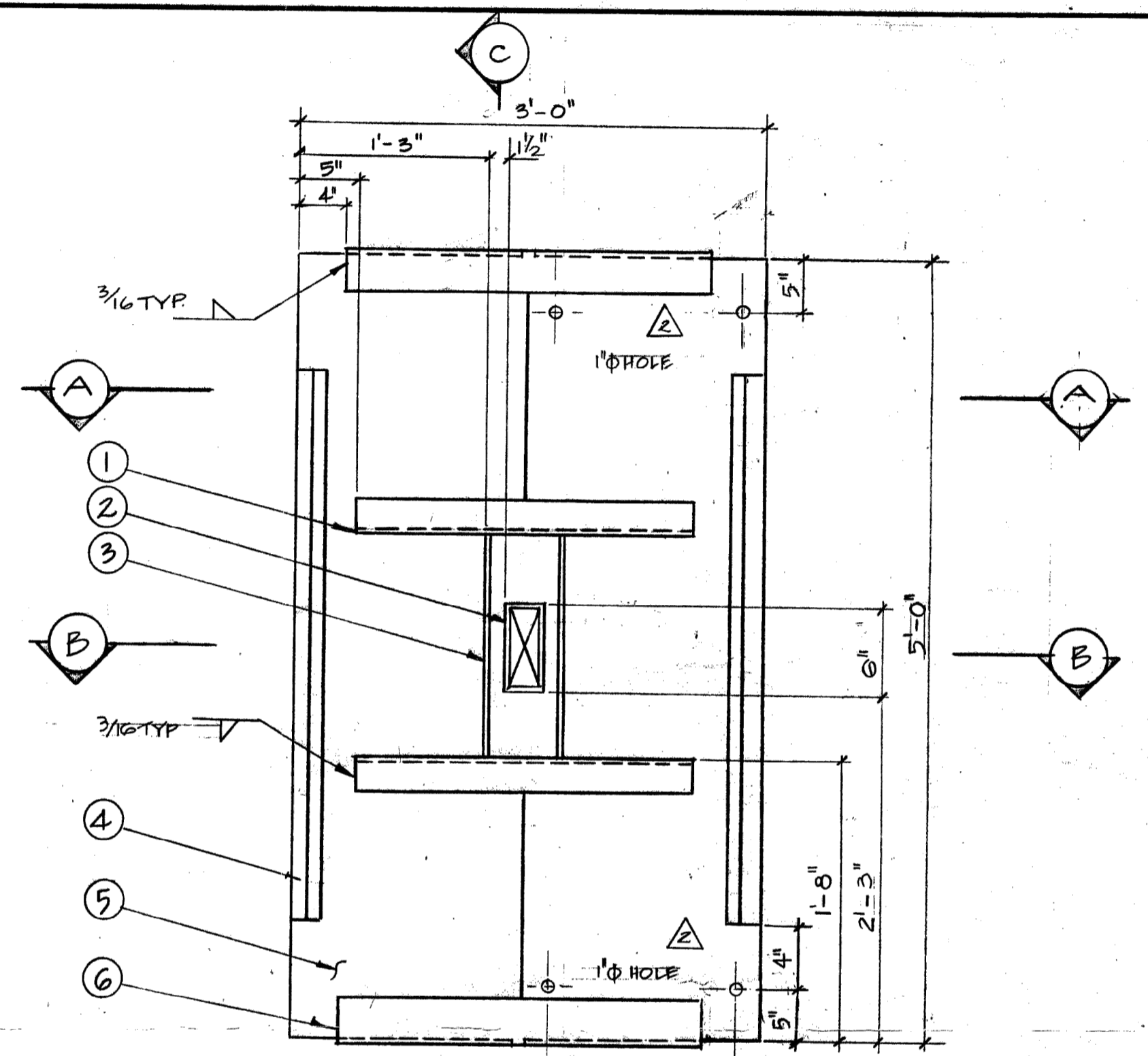
**FIST GRIP ATTACHMENT,
TABLES, AND NOTES**

Project no./No. du projet	Drawing no./No. du dessin	Revision no.
2021-16	DWG-07	0

FOR BIDDING PURPOSES

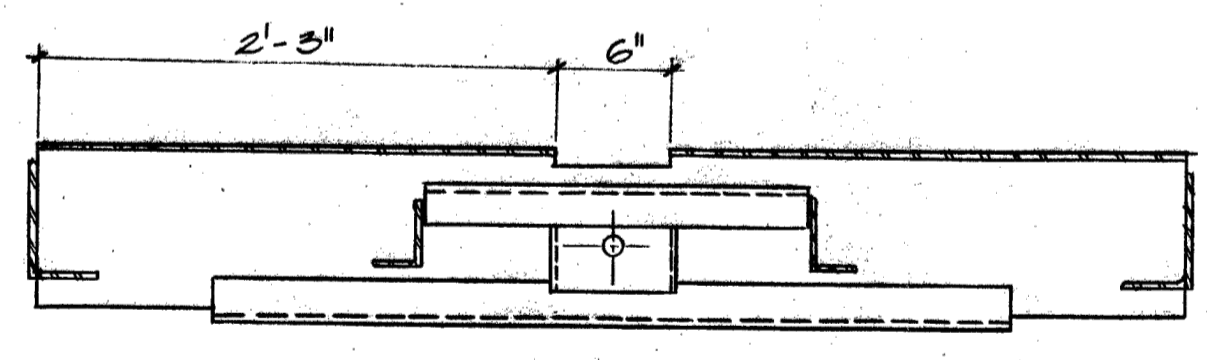
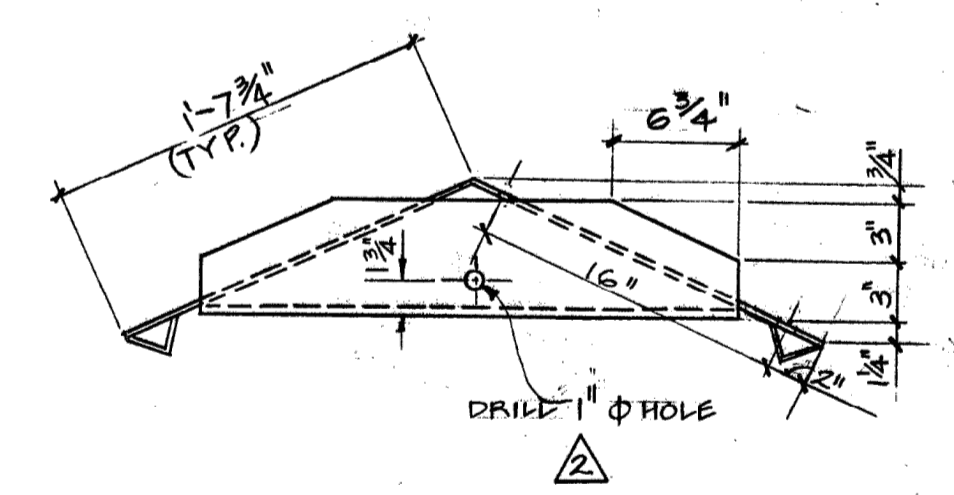
2812-R3

35-2812-R2
35-2812-R2



NOTE: FABRICATOR SHALL SUPPLY ONE CROSBY G-400 HOT DIPPED GALVANIZED FORGED EYE NUT AND HEX NUT TO FIT THREADED END AND ONE 1/2" x 5" ASTM A193 B7 BOLT & HEX NUT (GALVANIZED) SEE NOTE 4

UNDERSIDE



SECTION C-C

* NOTE
ALL SECTION CUTS
TAKEN THROUGH TOP
SIDE OF ANCHOR

BILL OF MATERIALS		
ITEM	QUANTITY	DESCRIPTION
1	2	3 1/2" x 2 1/2" x 1/4" ANGLE 2'-2" LONG
2	1	6" x 3" x 3/8" RECTANGULAR TUBE SECTION SEE DETAIL 1
3	1	STANDARD C6X13 CHANNEL, 1'-8" LONG
4	2	2" x 2" x 1/4" ANGLE, 3'-0" LONG
5	2	3/16" PL, 1'-7 3/8" x 5'-0"
6	2	6" x 3 1/2" x 1/4" ANGLE, 2'-4" LONG
7	1	1/4" ROD SEE DETAIL 2
8	1	1 1/2" x 5" BOLT (SEE NOTE 4) & NUT

- GENERAL NOTES
- ALL PARTS TO BE GALVANIZED AFTER FABRICATION.
 - ANCHOR PLATE TO BE G40.12-44W STEEL, ANCHOR ROD TO BE CSA G40.21-44W OR EQUIVALENT.
 - ALL WELDS TO USE E70XX ELECTRODES
 - USE ASTM A193 B7 BOLT CONNECTOR (1 1/2" x 5") FOR ROD TO PL.

REFERENCE		REFERENCE		REVISIONS		DEPT. OF THE ENVIRONMENT WATER SURVEY OF CANADA, VANCOUVER, B.C.						
Dwg. No.	Title	Dwg. No.	Title	No.	Remarks	By	Date	Checked	Date	Approved	Date	Scale 1/2" = 1'-0" EXCEPT AS NOTED Sheet 1 of 1 Station No. Dwg. No. 2812-R3 2812-R2

0 ISSUED FOR TENDER APRIL 2012

Project Description Date

Project

**BIG CREEK STATIONS
08MB006 & 08MB007
CABLEWAY UPGRADES
AND REPAIRS**

Location: Enplacement

**BIG CREEK ABOVE
GROUNDHOG CREEK
BIG CREEK BELOW
GRAVEYARD CREEK
BRITISH COLUMBIA**

Designed by: ECCC Conçu par

Drawn by: ECCC Dessiné par

Approved by: ECCC Approuvé par

ECCC Project Manager: ECCC Administrateur de Projets ECCC

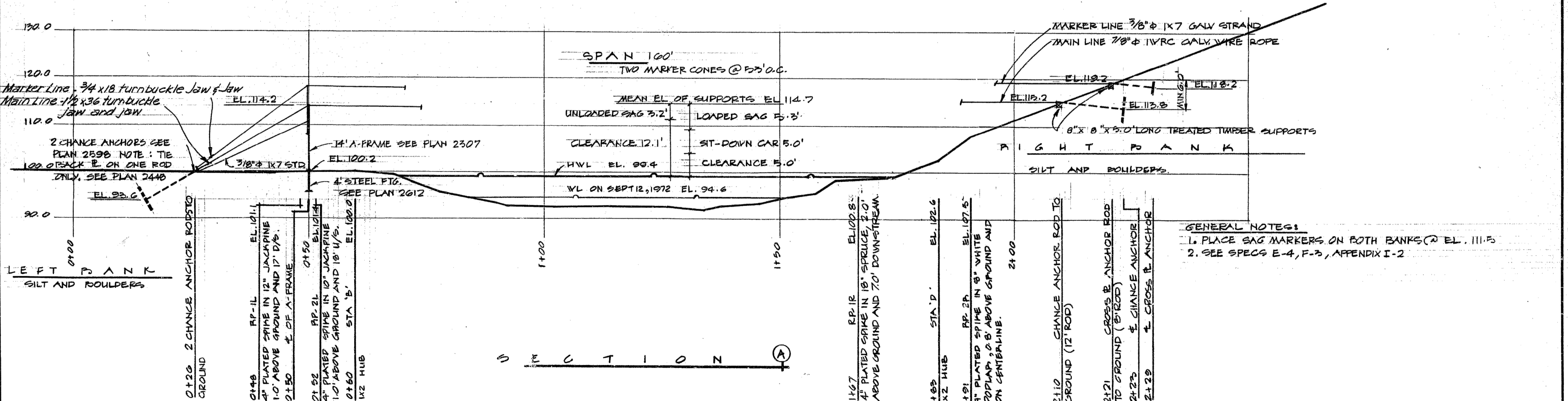
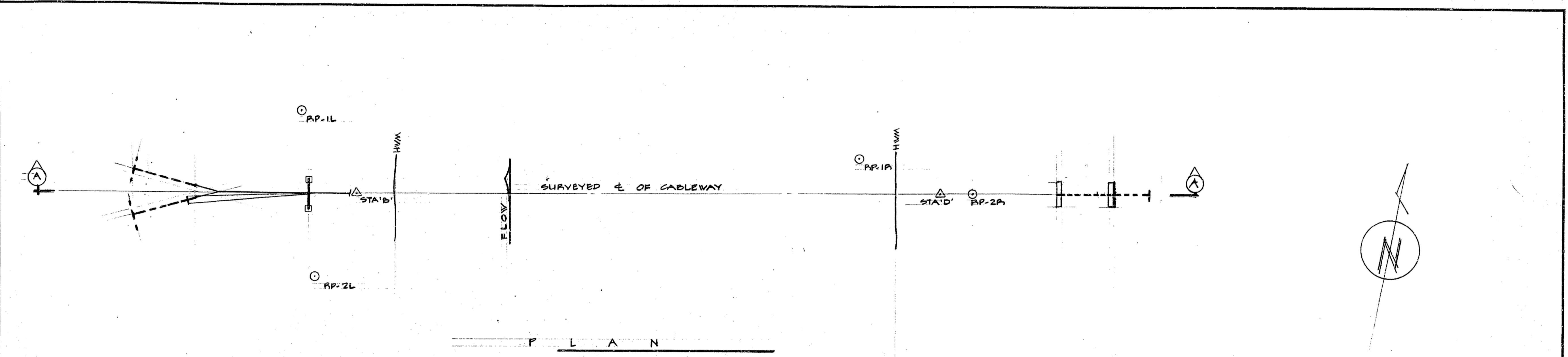
Drawing title: Titre du dessin

**NEW STYLE STEEL
ANCHOR PLATE DRAWING**

Destroy all prints bearing previous number

FOR BIDDING PURPOSES

- NOTES:
- ALL DIMENSION IN MILLIMETERS UNLESS STATED OTHERWISE
 - ENVIRONMENT AND CLIMATE CHANGE CANADA WILL PROVIDE:
 - ANCHOR PLATES
 - ANCHOR RODS
 - ANCHOR ROD PLATE
 - PLATE CONNECTOR U-BAR AND NUTS
 - ITEMS LISTED IN TABLE 1
 - HELICOPTER PER SPECIFICATIONS
 - CONTRACTOR TO VERIFY ALL DIMENSIONS PRIOR TO START OF WORK
 - ALL ITEMS SHOWN ARE NEW U.N.O.
 - ECC WILL PLACE TH-100 AROUND G-400 EYE NUT
 - CONTRACTOR RESPONSIBLE FOR SPARE PARTS AND REQUIRED TO REPLACE DAMAGED DURING CONSTRUCTION PARTS
 - CONTRACTOR RESPONSIBLE TO PROVIDE ALL WORK/EQUIPMENT REQUIRED TO HAVE FUNCTIONAL CABLEWAY AS INTENDED IN THIS PROJECT.
 - INSTALL CABLEWAY DANGER SIGNS PROVIDED BY ECC.



2307	14' A-FRAME	2642.2	DIG CRK ABOVE GROUNDHOG - PELOPES
2448	CHANCE ANCHOR RIGGING ASSEMBLY	2612	4' STEEL FTG.
2598	2 CHANCE ANCHORS & BRICLE		
Dwg. No.	Title	Dwg. No.	Title
REFERENCE		REFERENCE	

By	Date	Checked	Date	Approved	Date
Survey	SEP 12 '72	APP	OCT 29 '72		
Design	APR 18 '74				
Drawing	APR 18 '74	JH	APR 18 '74	JH	May 7/74
Tracking					

DEPT. ENERGY, MINES & RESOURCES
WATER SURVEY OF CANADA, VANCOUVER, B.C.

DIG CREEK ABOVE GROUNDHOG CREEK
HYDROMETRIC STATION
CABLEWAY (AS CONSTRUCTED)

FIELD BOOK # 72-C10
Scale 1" = 10'-0"
Sheet 1 of 2
Station No.
Dwg. No. 2642-1

0	ISSUED FOR TENDER	APRIL 2021
Revision	Description	Date

BIG CREEK STATIONS
08MB006 & 08MB007
CABLEWAY UPGRADES
AND REPAIRS

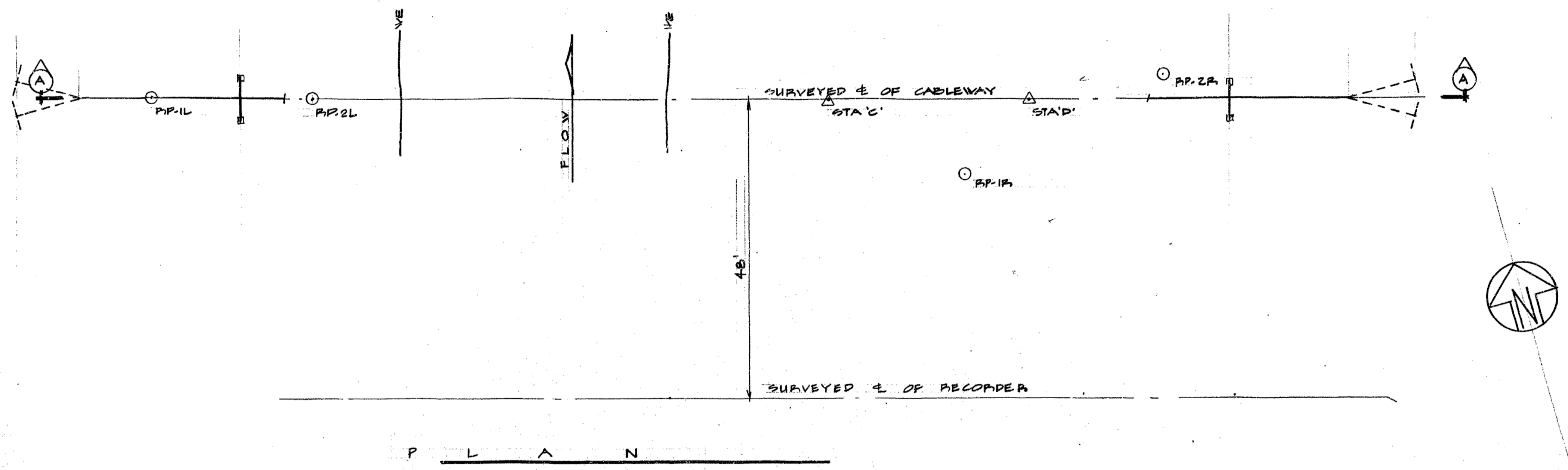
Location: BIG CREEK ABOVE GROUNDHOG CREEK
BIG CREEK BELOW GRAVEYARD CREEK
BRITISH COLUMBIA

Designed by ECCC	Conçu par ECCC
Drawn by ECCC	Dessiné par ECCC
Approved by ECCC	Approuvé par ECCC
ECCC Project Manager ECCC	Administrateur de Projets ECCC ECCC
Drawing title	Titre du dessin

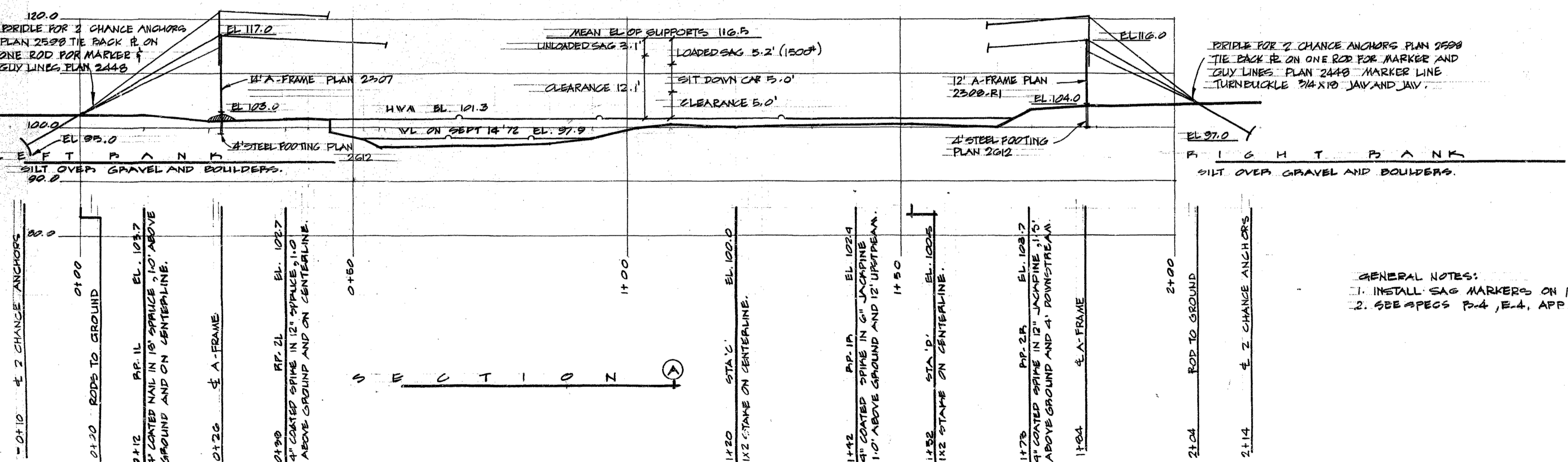
08MB006 CABLEWAY
AS-BUILT DRAWING

Project no./No. du projet	Drawing no./No. du dessin	Revision no.
2021-16	DWG-09	0

FOR BIDDING PURPOSES



SPAN 150'
2 CONES @ 5%



GENERAL NOTES:
1. INSTALL SAG MARKERS ON BOTH A-FRAMES AT EL. 113.4
2. SEE SPECS P-4, E-4, APP I-2.

Dwg. No.	Title	Dwg. No.	Title	No.	Remarks	By	Date	Chk'd.	App.	Drawing	Tracing
2307	14' A-FRAME	2643-2	BIG CREEK BELOW GRAVEYARD RECORDER								
2300-RI	12' A-FRAME	2598	PRIDLE FOR 2 CHANCE ANCHORS								
2612	A STEEL FOOTING	2448	TIE BACK PL								

By	Date	Checked	Date	Approved	Date
SALEH	SEP 14 '72	NSP	OCT 31 '72		
LES	APR 24 '72	FHC	MAY 9 '72		
NSP	MAY 17 '72	REI	MAY 10 '72	JA	MAY 17 '72

DEPT. ENERGY, MINES & RESOURCES
WATER SURVEY OF CANADA, VANCOUVER, B.C.

BIG CREEK BELOW GRAVEYARD CREEK
HYDROMETRIC STATION
CABLEWAY (AS CONSTRUCT.)

FIELD BOOK # 72-00
Scale 1" = 10'-0"
Sheet 1 of 2
Station No.
Dwg. No. 2643-1

0	ISSUED FOR TENDER	APRIL 2021
Revision	Description	Date
Project		Project

**BIG CREEK STATIONS
08MB006 & 08MB007
CABLEWAY UPGRADES
AND REPAIRS**

Location: Enplacement
BIG CREEK ABOVE
GROUNDHOG CREEK
BIG CREEK BELOW
GRAVEYARD CREEK
BRITISH COLUMBIA

Designed by: ECCC
Drawn by: ECCC
Approved by: ECCC
ECCC Project Manager: ECCC
Drawing title: Titre du dessin

**08MB007 CABLEWAY
AS-BUILT DRAWING**

Project no./No. du projet: 2021-16
Drawing no./No. du dessin: DWG-10
Revision no.: 0

Destroy all prints bearing previous number