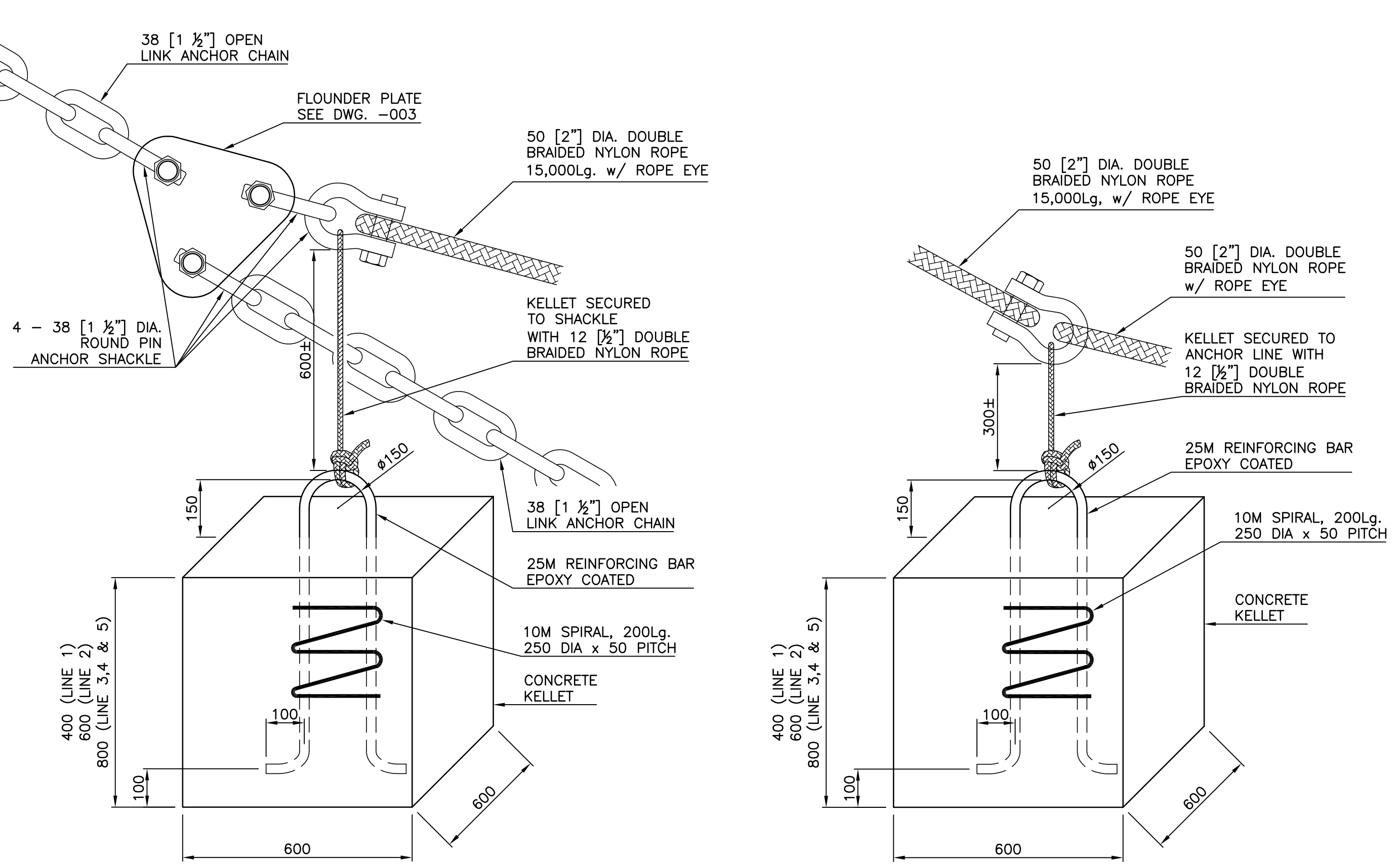
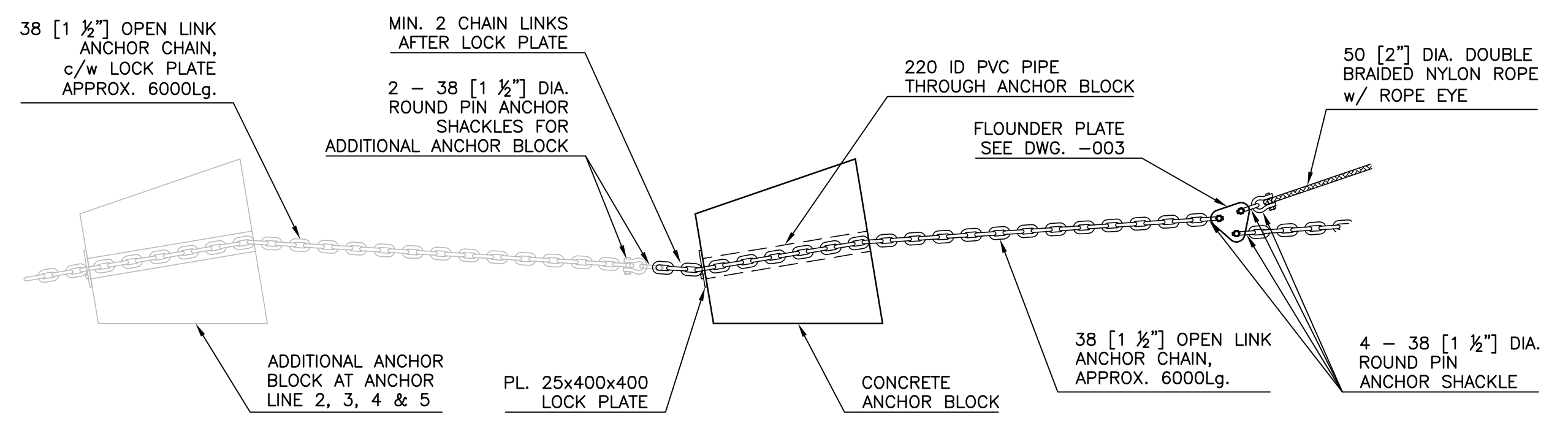


PLAN
1 : 250



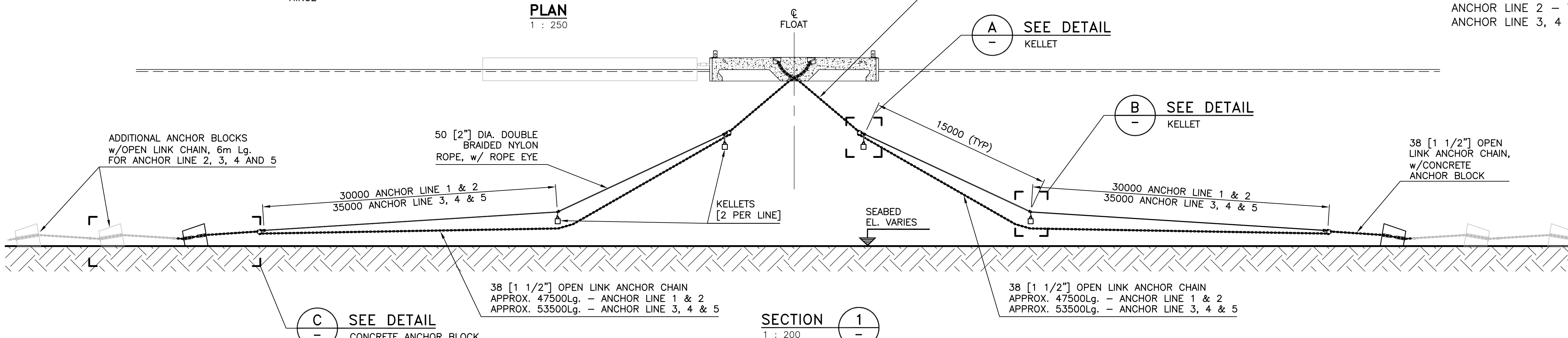
DETAIL A
1 : 10

DETAIL B
1 : 10



DETAIL C
1 : 50

ANCHOR LINE 1 - ONE (1) ANCHOR BLOCK
 ANCHOR LINE 2 - TWO (2) ANCHOR BLOCKS
 ANCHOR LINE 3, 4 & 5 - THREE (3) ANCHOR BLOCKS



SECTION 1
1 : 200

NOTES:
 1. ALL DIMENSIONS ARE IN MILLIMETRES UNLESS NOTED OTHERWISE.
 2. FOR GENERAL NOTES REFER TO DWG. -001

E				J			
D				I			
C				H			
B	ISSUED FOR CONSTRUCTION	07/01/29	A.P.	G			
A	ISSUED FOR REVIEW	06/12/27	A.P.	F			
	REVISION				REVISION		REFERENCE DRAWINGS

THIS DRAWING IS THE PROPERTY OF VILLHOLTH JENSEN & ASSOCIATES LTD. AND SHALL ONLY BE USED FOR THE PURPOSE TO WHICH IT REFERS. THIS DRAWING IS PREPARED SOLELY FOR THE USE OF THE PARTY WITH WHOM VILLHOLTH JENSEN & ASSOCIATES LTD. HAS ENTERED INTO A CONTRACT AND THERE ARE NO REPRESENTATIONS OF ANY KIND MADE BY VILLHOLTH JENSEN & ASSOCIATES LTD. TO ANY PARTY WITH WHOM VILLHOLTH JENSEN & ASSOCIATES LTD. HAS NOT ENTERED INTO A CONTRACT.

DESIGNED:	A.P.	SCALE:	AS NOTED
DRAWN:	U.D.S. Ltd.	FILE No.	26111002
CHECKED:	A.P.	CAD FILE NAME:	26111-002
APPROVED:		PROJECT No.	26111

VILLHOLTH JENSEN & ASSOC. LTD.
 CONSULTING ENGINEERS
 VANCOUVER, B.C.

	Fisheries and Oceans	Pêches et Océans
PORT EDWARD - FLOATING DOCK		
ANCHOR LINES	DRAWING No.	REV.
PLAN, SECTIONS & DETAILS	26111-002	B

January 29, 2007 9:00am