

Public Works and
Government Services
Canada

Travaux publics et
Services gouvernementaux
Canada

REAL PROPERTY SERVICES
Western Region

SERVICES IMMOBILIERS
Région de l'ouest

DO NOT SCALE DRAWINGS

| Revision/Revision | Description/Description | Date/Date |
|-------------------|-------------------------|-----------|
| | | |
| | | |
| | | |
| | | |
| | | |

Client/client

Fisheries & Oceans Canada
Small Craft Harbours Branch
Pacific Division

200 - 401 Burrard Street
Vancouver, Canada, V6C 3S4

Project title/Titre du projet

PRINCE RUPERT
FAIRVIEW BAY

Approved by/Approuvé par
DJ

Designed by/Concept par
DK

Drawn by/Dessiné par
WSL

PWGSC Project Manager/Administrateur de Projets TPSGC

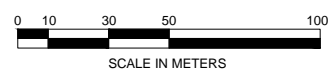
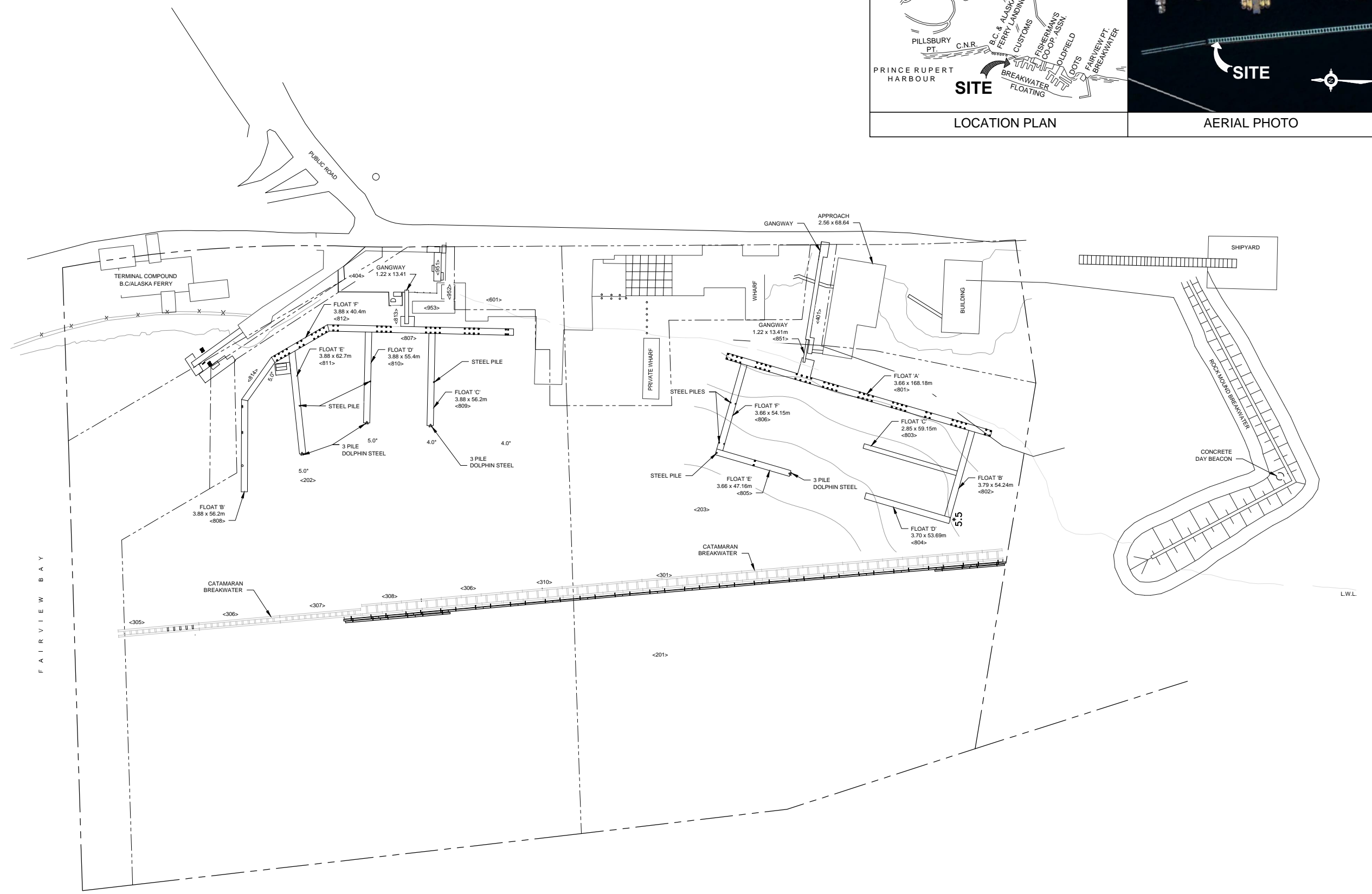
PWGSC, Architectural and Engineering Resources Manager/
Ressources Architectural et de Directeur d'Ingénierie, TPSGC

Client/client
SMALL CRAFT HARBOURS

Drawing title/Titre du dessin

SITE LAYOUT

| | | |
|---|-------------------------------------|----------------------------------|
| Project No./No. du projet PR-BW | Sheet/Feuille 001 OF 3 | Revision no./ La Révision no. |
|---|-------------------------------------|----------------------------------|



NOTE:
ALL DIMENSIONS ARE APPROXIMATE (NTS)

DO NOT SCALE DRAWINGS

| Revision/Revision | Description/Description | Date/Date |
|-------------------|-------------------------|-----------|
| | | |
| | | |
| | | |
| | | |
| | | |
| | | |
| | | |
| | | |
| | | |
| | | |

Client/client

**Fisheries & Oceans Canada
Small Craft Harbours Branch
Pacific Division**

**200 - 401 Burrard Street
Vancouver, Canada, V6C 3S4**

Project title/Titre du projet

**PRINCE RUPERT
FAIRVIEW BAY**

Approved by/Approuvé par
DJ

Designed by/Concept par
DK

Drawn by/Dessiné par
WSL

PWGSC Project Manager/Administrateur de Projets TPSGC

PWGSC, Architectural and Engineering Resources Manager/
Ressources Architectural et de Directeur d'Ingénierie, TPSGC

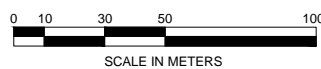
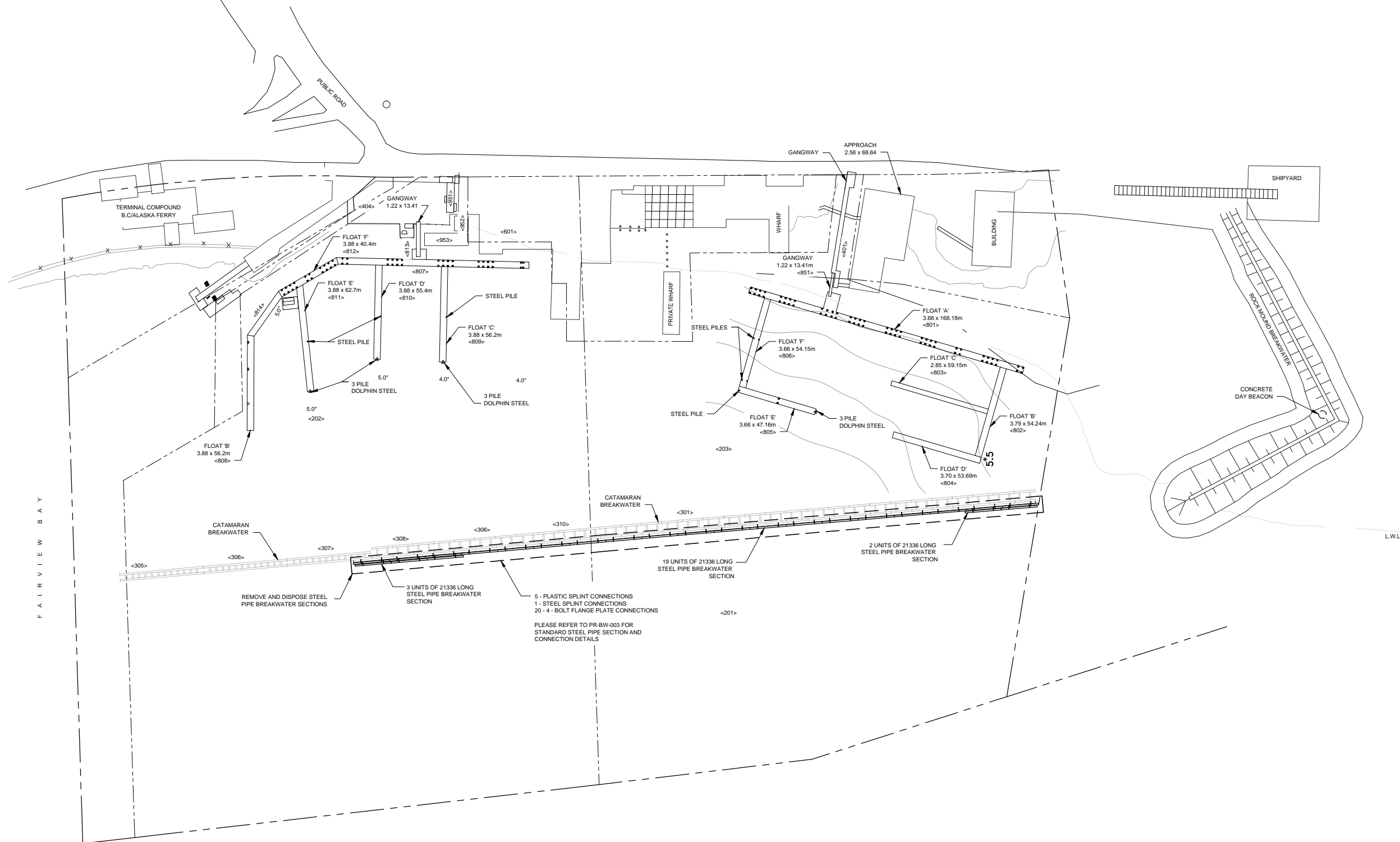
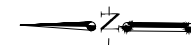
Client/client
SMALL CRAFT HARBOURS

Drawing title/Titre du dessin

GENERAL ARRANGEMENT

| | | |
|---------------------------|---------------|------------------------------|
| Project No./No. du projet | Sheet/Feuille | Revision no./La Révision no. |
|---------------------------|---------------|------------------------------|

| | | |
|--------------|--------------------|--|
| PR-BW | 002 OF 3 | |
|--------------|--------------------|--|



NOTE:
ALL DIMENSIONS ARE APPROXIMATE (NTS)

5 - PLASTIC SPLINT CONNECTIONS
1 - STEEL SPLINT CONNECTIONS
20 - 4 - BOLT FLANGE PLATE CONNECTIONS

PLEASE REFER TO PR-BW-003 FOR
STANDARD STEEL PIPE SECTION AND
CONNECTION DETAILS

REMOVE AND DISPOSE STEEL
PIPE BREAKWATER SECTIONS

3 UNITS OF 21336 LONG
STEEL PIPE BREAKWATER
SECTION

19 UNITS OF 21336 LONG
STEEL PIPE BREAKWATER
SECTION

2 UNITS OF 21336 LONG
STEEL PIPE BREAKWATER
SECTION

DO NOT SCALE DRAWINGS

| Revision/Revisión | Description/Description | Date/Date |
|-------------------|-------------------------|-----------|
| | | |
| | | |
| | | |
| | | |
| | | |
| | | |
| | | |
| | | |
| | | |

Client/client

**Fisheries & Oceans Canada
Small Craft Harbours Branch
Pacific Division**
200 - 401 Burrard Street
Vancouver, Canada, V6C 3S4

Project title/Titre du projet

**PRINCE RUPERT
FAIRVIEW BAY**

Approved by/Approuvé par
DJ

Designed by/Concept par
DK

Drawn by/Dessiné par
WSL

PWGSC Project Manager/Administrateur de Projets TPSGC

PWGSC, Architectural and Engineering Resources Manager/
Ressources Architectural et de Directeur d'ingénierie, TPSGC

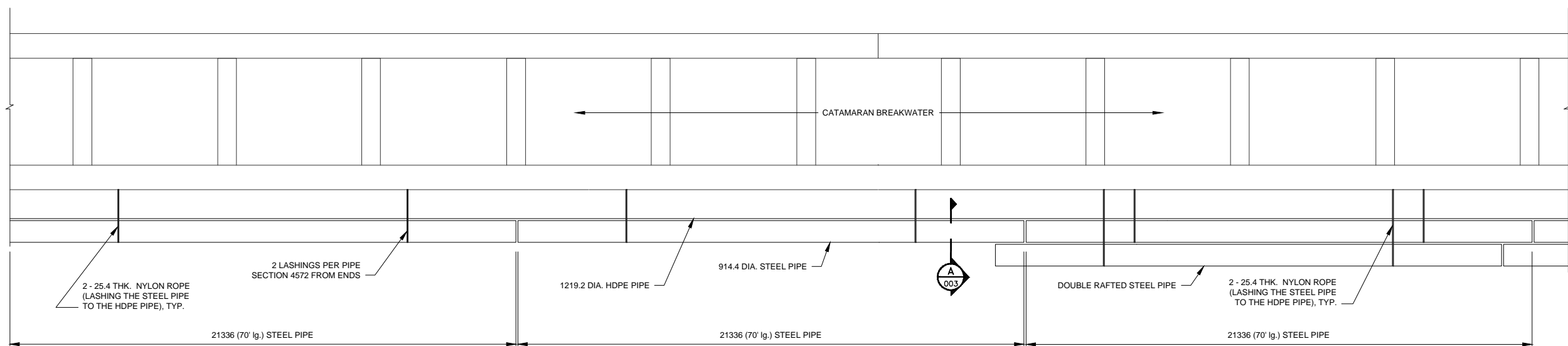
Client/client
SMALL CRAFT HARBOURS

Drawing title/Titre du dessin

**STANDARD STEEL PIPE SECTION
AND CONNECTION DETAILS**

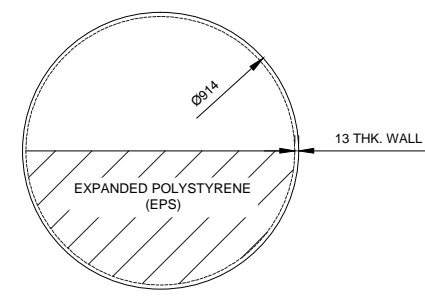
Project No./No. du projet Sheet/Feuille Revision no./La Révision no.

PR-BW 003 OF 3

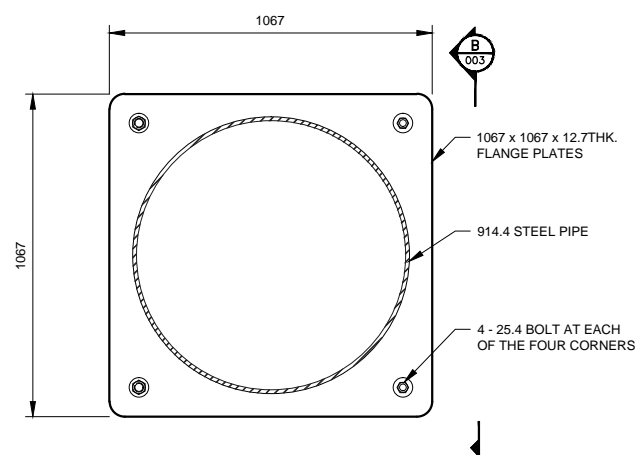


NOTE:
ALL DIMENSIONS ARE APPROXIMATE (NTS)

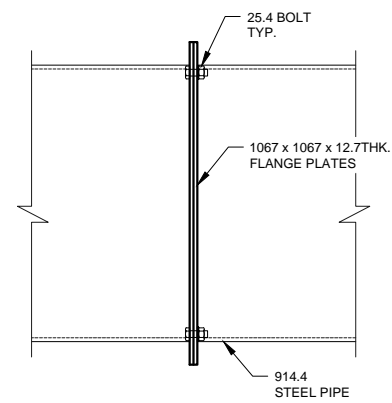
STANDARD STEEL PIPE PLAN
SCALE: 1:200



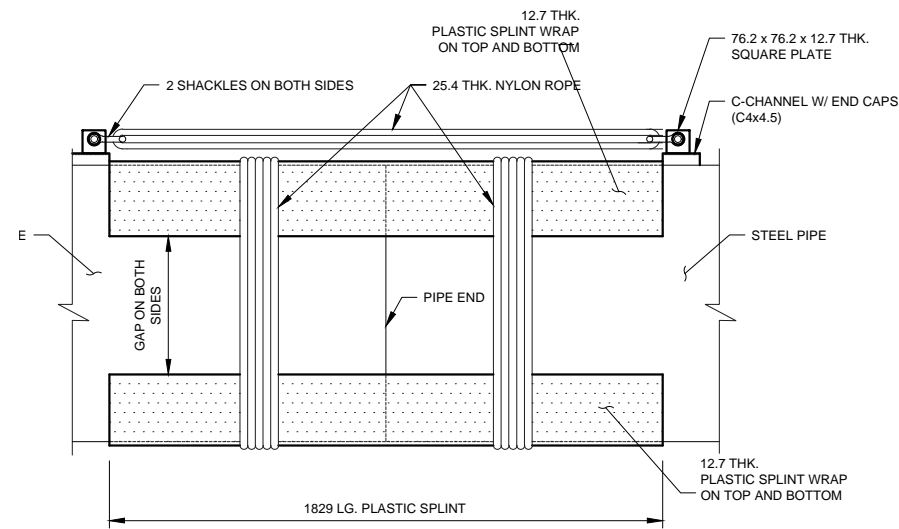
A STANDARD STEEL PIPE SECTION
003 SCALE: 1:25



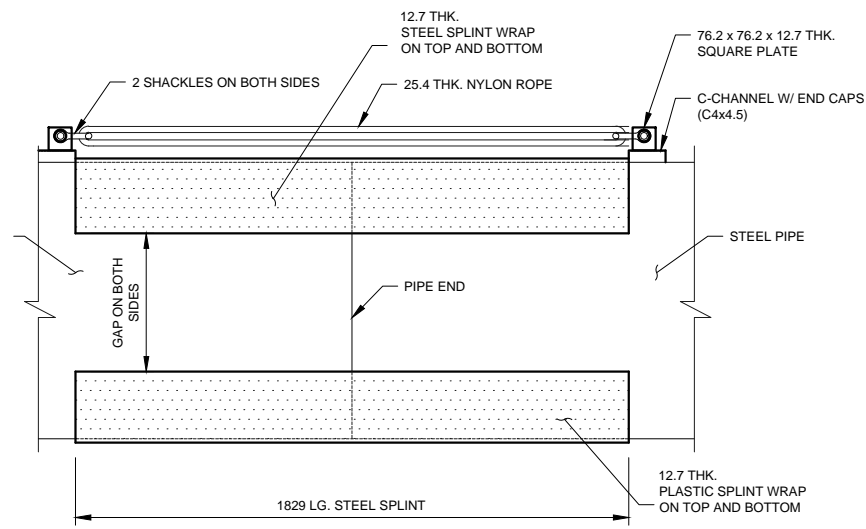
4-BOLT FLANGE PLATE CONNECTION DETAIL
SCALE: 1:25



B DETAIL - B
003 SCALE: 1:25



PLASTIC SPLINT CONNECTION DETAIL
SCALE: 1:25



STEEL SPLINT CONNECTION DETAIL
SCALE: 1:25

