

### SUPPLY DIFFUSER SCHEDULE

SYMBOL	ACCEPTABLE MATERIAL	TYPE	NECK SIZE mm	CLG. SIZE mm	CAPACITY L/S	NC LEVEL (MAX.)	SP (Pa) (MAX.)	REMARKS
S1	E.H. PRICE SC-D	SQUARE CEILING	100mm	300x300	47	28	25	C/W B-12 FINISH G.W.B. CEILING INSTALLATION 3 CONE CONSTRUCTION FIRE BLANKET AND FIRE STOP FLAP
S2	E.H. PRICE 520	DOUBLE DEFLECTION	150x125	---	24	20	25	C/W B-12 FINISH SURFACE MOUNT SIDEWALL
S3	E.H. PRICE 520	DOUBLE DEFLECTION	150x125	---	47	20	25	C/W B-12 FINISH SURFACE MOUNT SIDEWALL
E1	E.H. PRICE 520	DOUBLE DEFLECTION SIDEWALL	150x150	---	24	20	25	C/W B-12 FINISH O.B.D. SURFACE MOUNT SIDEWALL
E2	E.H. PRICE 520	DOUBLE DEFLECTION	150x125	---	47	20	25	C/W B-12 FINISH SURFACE MOUNT SIDEWALL
E3	E.H. PRICE 520	DOUBLE DEFLECTION	250x200	---	118	25	25	C/W B-12 FINISH SURFACE MOUNT SIDEWALL

### EXHAUST FAN SCHEDULE

UNIT NO.	SERVICE	MFG./MODEL	TYPE	AIRFLOW (L/s)	TOTAL STATIC PRESS. (Pa)	FAN SPEED RPM	DISCONNECT SWITCH	ELECTRIC MOTOR		COMMENTS
								WATTS	SERVICE	
EF-1	GARAGE	GREENHECK CW-101-A	SIDEWALL EXHAUST	566	93	809	YES	187	120/1/60	DIRECT DRIVE C/W MOTORIZED BACKDRAFT DAMPER, ALUMINUM BIRD SCREEN, CONTROL BY A GAS MONITORING SYSTEM AND ON/OFF CONTROL BY ELECTRICAL CONTRACTOR
EF-2	WORKSHOP	GREENHECK CSP-A290	INLINE CABINET	118	93	1050	YES	80	120/1/60	ON/OFF CONTROL BY DIV. 16, INTERLOCKED WITH 120V MOTORIZED DAMPER
EF-3	KITCHEN RANGE	VENMAR S30	RANGE HOOD	127	---	2400	NO	---	120/1/60	C/W SPEED CONTROLLERS, HOOD MOUNTING LIGHT, 900mm WIDEHOOD, COLOR BY ARCHITECT

### PLUMBING FIXTURE SCHEDULE

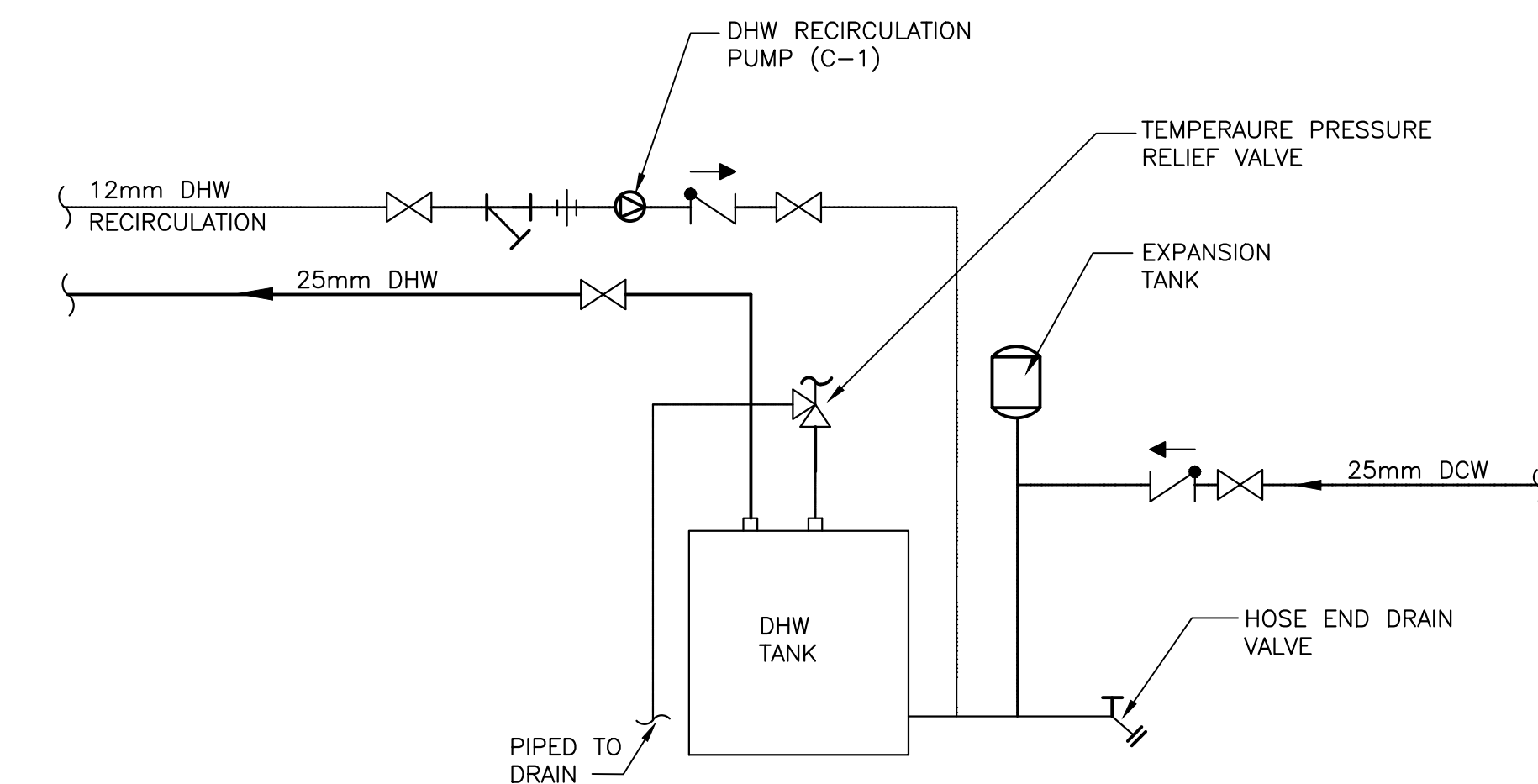
DESIGN	ITEM	MFG./MODEL	TRIM			PIPE SIZE (NPS)				REMARKS
			STOPS	SUPPLY	TRAP	DCW	DHW	WASTE	VENT	
P-1	WATER CLOSET (FLUSH TANK FLOOR MOUNTED 6L FLUSH)	CRANE 3833 ECONOMIZER	---	TECK 47T316	---	12	---	75	50	C/W OLSONITE OPEN FRONT SEAT W/ COVER, INSULATED TANK CONTAINING SLOAN FLUSHMATE III, (W/PRESSURE REGULATOR, BACKFLOW PREVENTER), ELONGATED BOWL
P-2	COUNTERTOP LAVATORY	CRANE 1238V SONNET	TECK 47T912	DELTA 525-MPU	TECK 33T311	12	12	32	32	C/W FRONT OVERFLOW, MOUNTING KIT, LIFT ROD AND METAL POP UP DRAIN
P-3	SINK, DOUBLE BOWL STAINLESS SINK	KINDRED QDL203118	1/2 BALL VALVES	DELTA 150-WF	TECK 33T360	12	12	50	32	C/W BASKET STRAINER, MOUNTING HARDWARE, AND UNDER COATING
P-4	SERVICE SINK	(BY OTHERS)	---	TECK 28T2213	TECK 33T360	12	12	50	32	FAUCET ONLY C/W VACUUM BREAKER, HOSE THREAD OUTLET, INTEGRAL STOPS, RUBBER DRAIN STOPPER, FLOOR DRAIN IN SINK BY MECH. CONTRACTOR
P-5	CLOTHES WASHER	(BY OTHERS)	---	1/2 HOSE BIBB	---	12	12	50	32	PROVIDE 1/2 DCW AND DHW HOSE BIBB CONNECTIONS AND STAND PIPE DRAIN FOR WASHER
P-6	SHOWER	FIAT 42WL	---	DELTA 1724	---	12	12	50	32	C/W PRESSURE BALANCED ANTI SCALD MIXING VALVE, SHOWER FAUCET AND SHOWER FLOOR BASE.
P-7	DISHWASHER	(BY OTHERS)	1/2 BALL VALVES	---	---	12	12	38	32	CONNECT TO DHW AND DRAINAGE SYSTEM
P-8	UTILITY SINK (GARAGE)	CRANE 6-296 STRAFFORD	---	TECK 28T2213	TECK 33T360	12	12	50	32	PORCELAIN ON MOLDED STEEL, SINGLE COMPART, LAUNDRY TUB C/W STEEL STAND, VACUUM BREAKER HOSE THREAD OUTLET INTEGRAL STOPS, RUBBER DRAIN STOPPER
P-9	OIL SEPARATOR (GARAGE)	PROCEPTOR OMC 50	---	---	---	---	---	100	50	C/W MANWAY AND COVER, CONTRACTOR IS RESPONSIBLE TO ENSURE THAT INSTALLATION INCLUDES PROPERLY SIZED ANTI-BUOYANCY CONCRETE SLAB AND PROPERLY REINFORCED CONCRETE FLOOR SLAB AROUND THE FRAME/COVER
P-10	EYE/FACE WASH STATION (GARAGE)	HAWS 7720	1/2 BALL VALVE	---	---	12	---	32	---	C/W DUST COVER INLINE 50x50 MESH STRAINER, PUSH FLAG AND FOOT TREADLE ACTIVATION, DRAIN PIPED TO FFD
P-11	UTILITY SINK	CRANE 6-296 STRAFFORD	---	TECK 28T22B	TECK 33T360	12	12	50	32	PORCELAIN ON MOLDED STEEL, SINGLE COMPARTMENT, LAUNDRY TUB C/W VACUUM BREAKER, HOSE THREAD OUTLET, INTEGRAL STOPS RUBBER DRAIN STOPPER, STEEL STAND
P-12	EYE WASH TEMPERED WATER STATION	HAWS TWBS. EW	---	12mm BALL VALVES	---	12	---	---	---	PACKAGED SYSTEM C/W THERMOSTATIC MIXING VALVE, HOT WATER SHUT OFF, TEMPERATURE GAUGE

### HEAT RECOVERY VENTILATOR SCHEDULE

UNIT NO.	LOCATION	CAPACITY (L/s)			SUPPLY FAN			EXHAUST FAN			STANDARD OF ACCEPTANCE	COMMENTS
		SUPPLY	EXHAUST	E.S.P. Pa	TYPE	HP	ELEC	TYPE	HP	ELEC		
HRV-1	MECH. ROOM	342	342	100	F.C.	0.34	120/1/60	F.C.	0.34	120/1/60	NU-AIR NU750 ALUMINUM CORE DAMPER DEFROST, REMOTE DEHUMIDISTAT CONTROL C/W 3 REMOTE TIMER CONTROLLERS	

### ELECTRIC HEATING COIL SCHEDULE

APPLICATION	CAPACITY	SIZE	CONTROL	ELECTRICAL	COMMENTS
HRV HEATING	5 Kw	350mmx200mm	SCR (0-10V)	208/3/60	OPEN DUCT MOUNTED COIL HEATER, AUTOMATIC/ MANUAL RESET THERMAL CUT OUTS, OPEN TYPE SCR, C/W 24V CONTROL TRANSFORMER

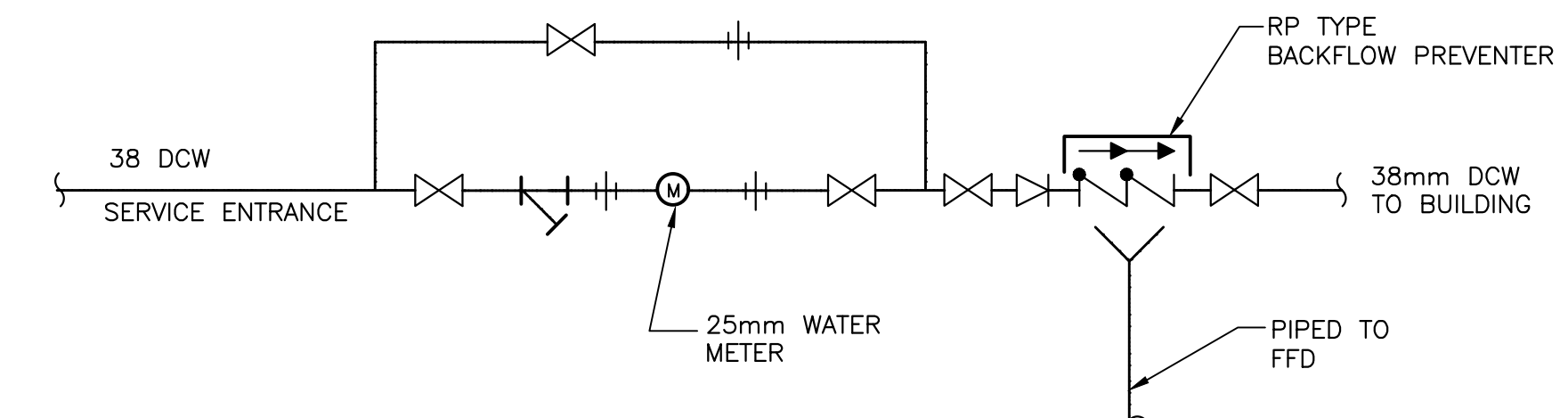


#### NOTES:

- RECIRCULATION LINE NOT REQUIRED FOR DHW SYSTEM IN WORKSHOP.
- PUMP C-1 SIMILAR TO GRUNDFOS SUP 15-14 BT C/W BUILT IN THERMOSTATIC CONTROL AND 120/1/60 ELECTRICAL PLUG.
- MAIN BUILDING DHW TANK-1 TO BE SIMILAR TO RHEEM RUDD MODEL PRO612T C/W 270 LITRE STORAGE CAPACITY, TWO 3380W/208V ELECTRICAL ELEMENTS.
- GARAGE DHW TANK T-2 TO BE SIMILAR TO RHEEM RUDD MODEL RE-10, C/W 38.6 LITRE STORAGE CAPACITY, ONE 2250/208V ELECTRICAL ELEMENT.

### 1 DETAIL - DOMESTIC HOT WATER TANK

N.T.S.



#### NOTE:

- DOMESTIC WATER ENTRANCE SIMILAR FOR MAIN BUILDING AND GARAGE, EXCEPT GARAGE ENTRANCE TO BE 25mm WITH 19mm WATER METER.

### 2 DETAIL - DOMESTIC WATER SERVICE ENTRANCES

N.T.S.

0	ISSUED FOR TENDER	APR 2007
revisions		date
project		projet
CCG STATION SHIPPAGAN POSTE DE LA GCC DE SHIPPAGAN SHIPPAGAN		
COMTE DE GLOUCESTER COUNTY, NB		
drawing		dessin
<b>SCHEDULES AND PLUMBING DETAILS PLANS</b>		
designed	P. DYER	conçu
date	2007-03	
drawn	F.A.M.	dessiné
date	2007-03	
approved		approuvé
date		
Tender		Soumission
PWSSC Project Manager	Administrateur de projets TPSSC	
project number		no. du projet
	303436	
drawing no.		no. du dessin
	M3	