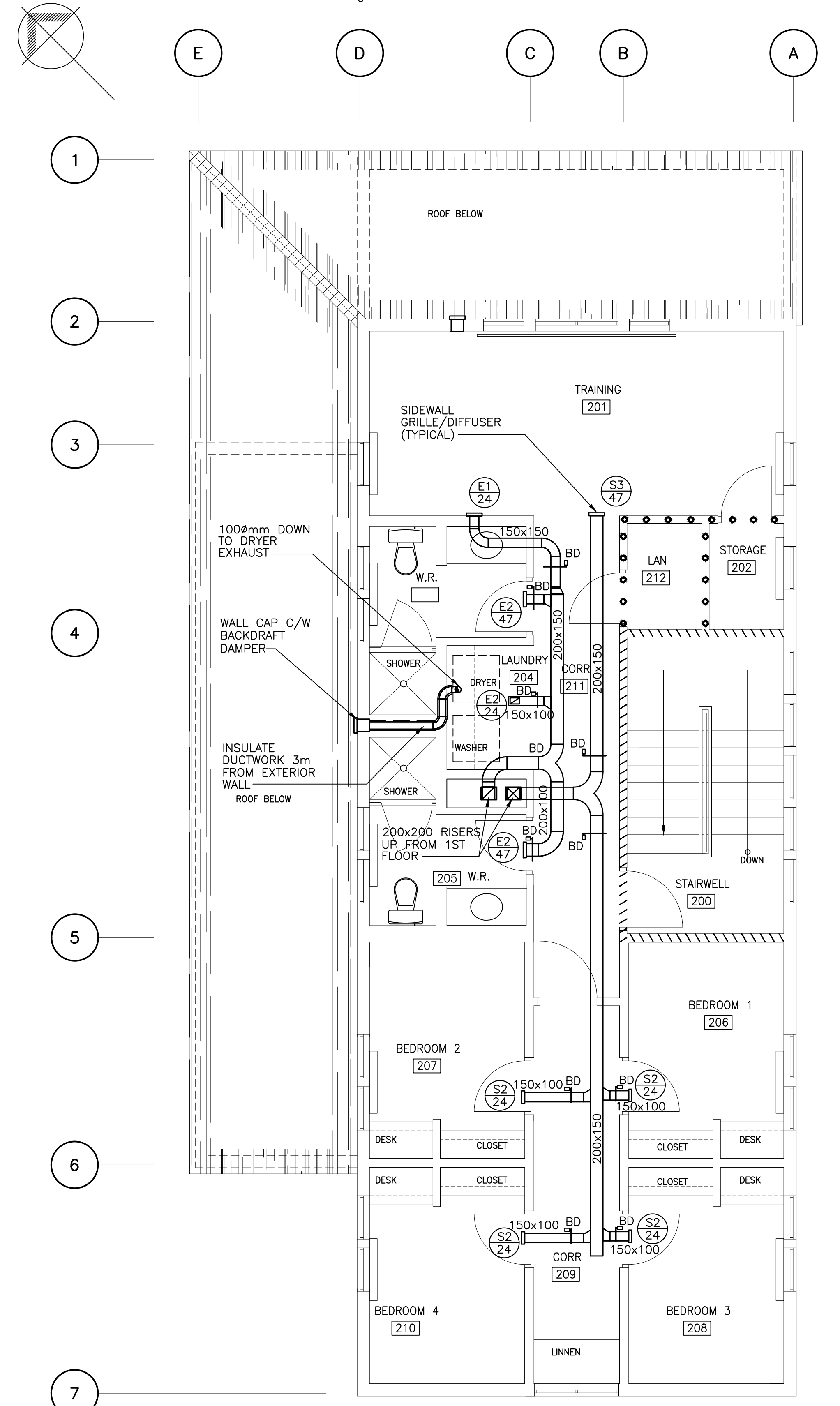


GROUND FLOOR PLAN

SCALE: 1:50
0m 1m 2m 3m 4m 5m



SECOND FLOOR PLAN

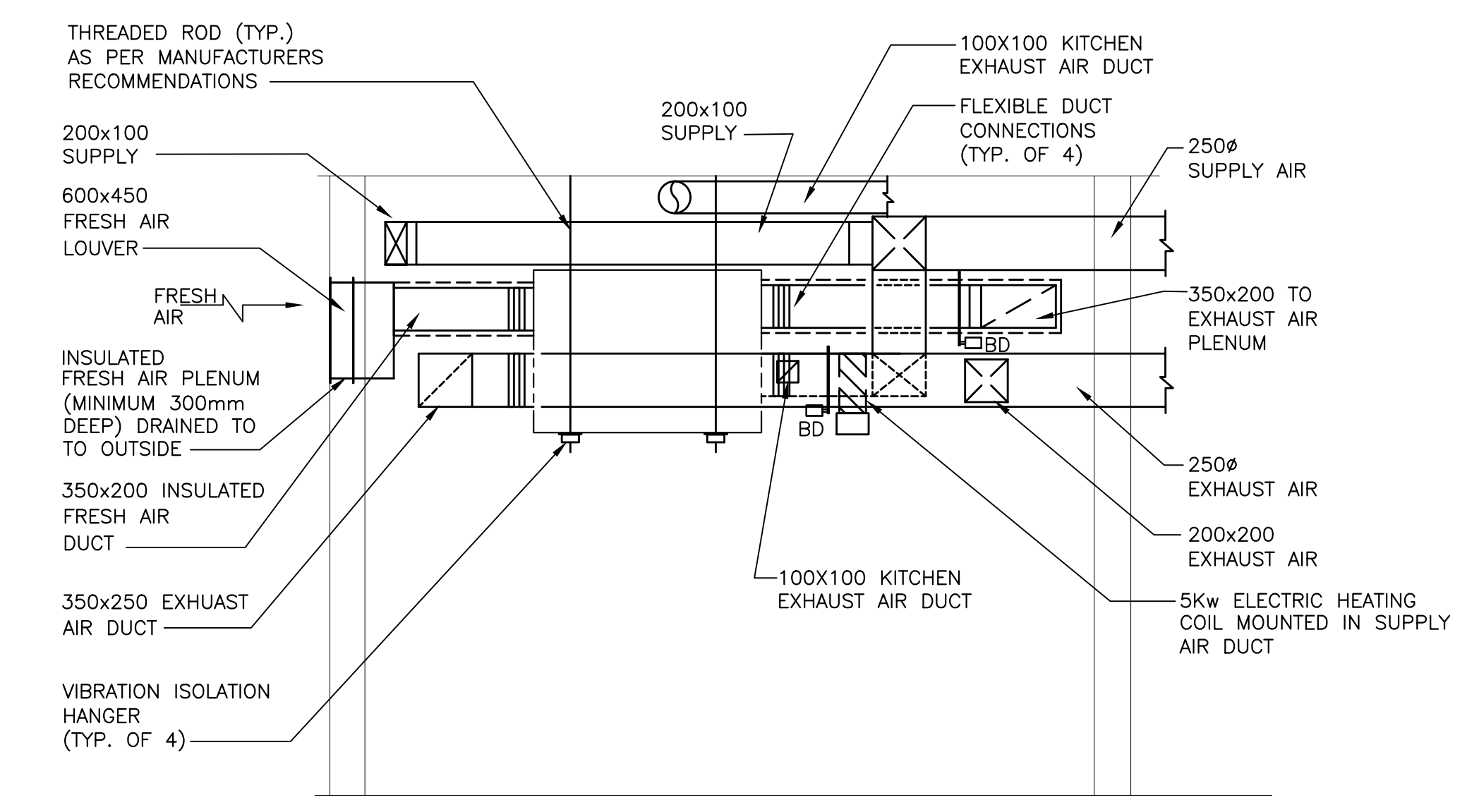
SCALE: 1:50
0m 1m 2m 3m 4m 5m

LEGEND:

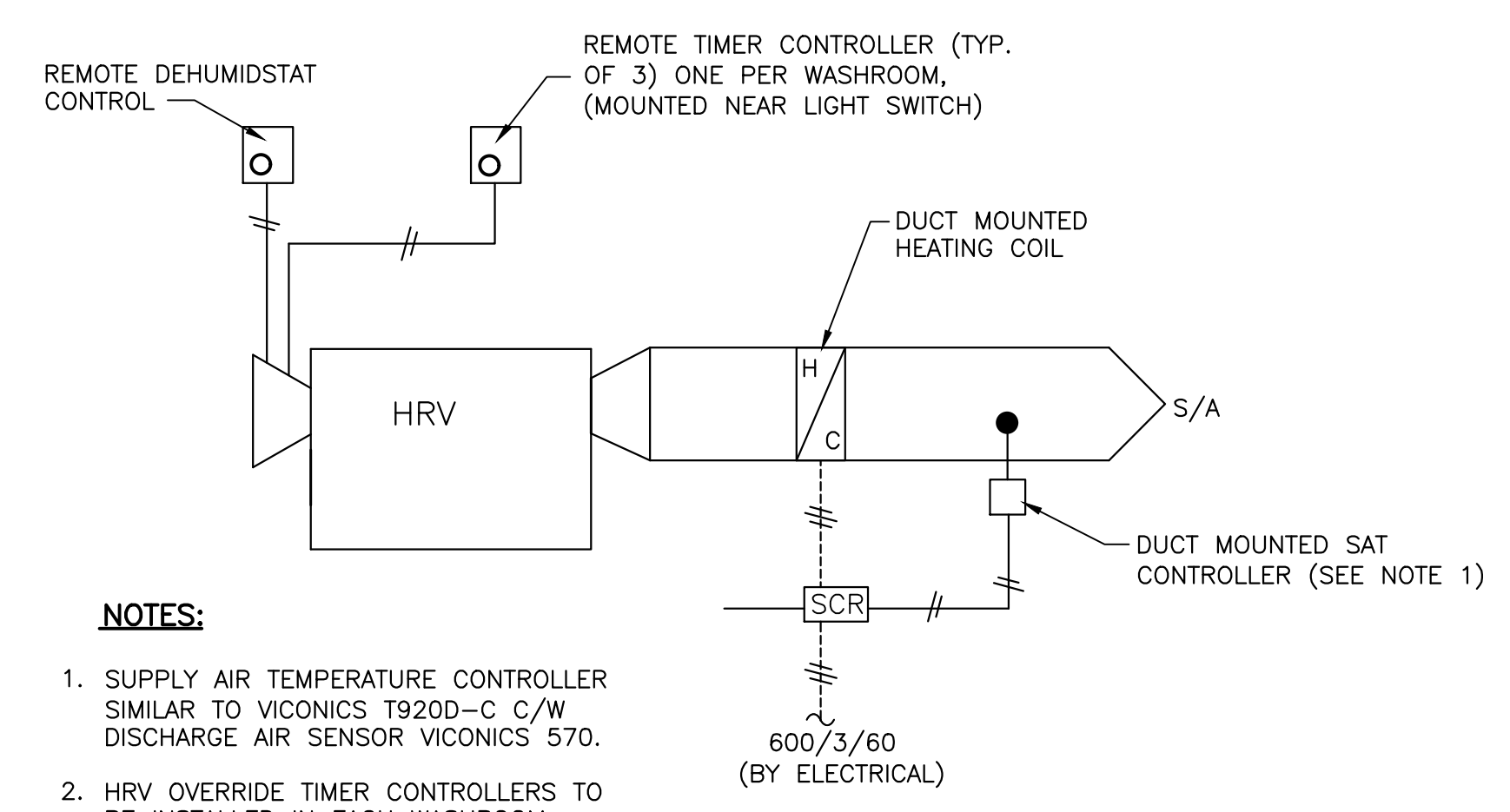
- DIFFUSER TYPE
- DIFFUSER AIR FLOW (L/s)
- DUCT WORK
- THERMALLY INSULATED DUCTWORK
- BALANCING DAMPER
- THERMOSTAT
- DOOR GRILLE
- DUCTED FAN COIL UNIT
- SUPPLY DIFFUSER
- EXHAUST GRILLE
- RETURN GRILLE
- EXHAUST FAN
- FIRE DAMPER
- FLEXIBLE DUCT CONNECTION
- BALANCING DAMPER
- UNDER CUT DOOR
- REFRIGERANT GAS PIPE
- REFRIGERANT LIQUID PIPE

NOTES:

1. BALANCE ALL DIFFUSERS/ GRILLES.
2. CONTRACTOR TO COORDINATE LOCATIONS OF ALL DUCTS WITH OTHER TRADES TO AVOID CONTACTS.
3. ALL DUCT TAKE OFFS TO BE C/W BALANCING DAMPERS UNLESS OTHERWISE NOTED.
4. ALL DUCTS TURN RADIUS TO BE A MINIMUM OF 1.5 RADIUS WIDTH OF THE DUCT.
5. ALL THERMAL DUCT INSULATION TO BE COMPLETE WITH CANVAS JACKET
6. ALL EXPOSED ROUND DUCT TO BE SPIRAL TYPE.



SECTION A
M2
SCALE 1:25



NOTES:

1. SUPPLY AIR TEMPERATURE CONTROLLER SIMILAR TO VICONICS T920D-C C/W DISCHARGE AIR SENSOR VICONICS 570.
2. HRV OVERRIDE TIMER CONTROLLERS TO BE INSTALLED IN EACH WASHROOM.
3. ALL HRV CONTROL WIRING BY MECHANICAL CONTRACTOR.

HRV CONTROL SCHEMATIC

NTS

0	ISSUED FOR TENDER	APR 2007
revisions		date
project	project	
CCG STATION SHIPPAGAN POSTE DE LA GCC DE SHIPPAGAN SHIPPAGAN		
COMTÉ DE GLOUCESTER COUNTY, NB		
drawing	dessin	
FIRST AND SECOND FLOOR VENTILATION PLANS		
designed	P. DYER	conçu
date	2007-03	
drawn	F.A.M.	dessiné
date	2007-03	
approved		approuvé
date		
Tender	Submission	
PWSC Project Manager	Administrateur de projets TPSGC	
project number	no. du projet	
	303436	
drawing no.	no. du dessin	
	M2	