



National Defence

Défense nationale

National Defence Headquarters
Ottawa, Ontario
K1A 0K2

Quartier général de la Défense nationale
Ottawa (Ontario)
K1A 0K2

REQUEST FOR PROPOSAL DEMANDE DE PROPOSITION

RETURN BIDS TO: RETOURNER LES SOUMISSIONS À :

Bid receiving – PWGSC / Réception des soumission

tpsgc.dgareceptiondessoumissions-
abbidreceiving.pwgsc@tpsgc-
pwgsc.gc.ca

Via epost \ Postel
Bid Fax: 819-997-9776

Proposal To: National Defence Canada

We hereby offer to sell to Her Majesty the Queen in right of Canada, in accordance with the terms and conditions set out herein, referred to herein or attached hereto, the goods and services listed herein and on any attached sheets at the price(s) set out therefor.

Proposition à : Défense nationale Canada

Nous offrons par la présente de vendre à Sa Majesté la Reine du chef du Canada, aux conditions énoncées ou incluses par référence dans la présente et aux annexes ci-jointes, les biens et services énumérés ici et sur toute feuille ci-annexée, au(x) prix indiqué(s).

| | | |
|---|---------------------------|--|
| Title/Titre: NSN: 6110-20-A0X-2597 CONTROL STATION | | Solicitation No – N° de l'invitation W8482-229744/A Amendment 003 Date of Amendment: 24/12/2021 |
| Date of Solicitation – Date de l'invitation December 06, 2021 | | |
| Address Enquiries to – Adresser toutes questions à Eric Bouquin D Mar P 4-3-6-6 Eric.Bouquin@forces.gc.ca | | |
| Telephone No. – N° de téléphone | FAX No – N° de fax | |
| Destination Specified herein / Précisée dans les présentes | | |

Instructions:

Municipal taxes are not applicable. Unless otherwise specified herein all prices quoted must include all applicable Canadian customs duties, GST/HST, excise taxes and are to be delivered Delivery Duty Paid including all delivery charges to destination(s) as indicated. The amount of the Goods and Services Tax/Harmonized Sales Tax is to be shown as a separate item.
Instructions: Les taxes municipales ne s'appliquent pas. Sauf indication contraire, les prix indiqués doivent comprendre les droits de douane canadiens, la TPS/TVH et la taxe d'accise. Les biens doivent être livrés « rendu droits acquittés », tous frais de livraison compris, à la ou aux destinations indiquées. Le montant de la taxe sur les produits et services/taxe de vente harmonisée doit être indiqué séparément.

Solicitation Closes – L'invitation prend fin

At – à : 1400 hours/heures EST

On - January 10, 2022

| | |
|---|--|
| Delivery required - Livraison exigée | Delivery offered - Livraison proposée |
| Vendor Name and Address - Raison sociale et adresse du fournisseur | |
| Name and title of person authorized to sign on behalf of vendor (type or print) - Nom et titre de la personne autorisée à signer au nom du fournisseur (caractère d'imprimerie) | |
| Name/Nom _____ | Title/Titre _____ |
| Signature _____ | Date _____ |

Amendment # 003 is raised to provide additional information regarding amendment # 002 to question 2 below. Answers inked red:

Thanks for the amendment and additional information. The OEM has the following questions:

Reference: The On-Off Selector switch

Question 1: Please confirm that it is a 2 position selector switch. Please also inform us what contact blocks are required? Is it 1 Normally Open?

Reference: Stop and Run Button

Question 2: Please confirm that 1 Normally Closed Contact is required for the Stop Button and 1 Normally Open for the Run Button .Please advise if different.

Answer to Question 2: Please confirm that 1 Normally Closed Contact is required for the Stop Button “Yes” and 1 Normally Open for the Run Button “Yes”. Please advise if different. **So, no, nothing different.**

The second question is yes for both. Normally open for run and normally closed for stop.

All other terms and conditions remain the same

Answer: The electrical technical data below should explain the details looked for.

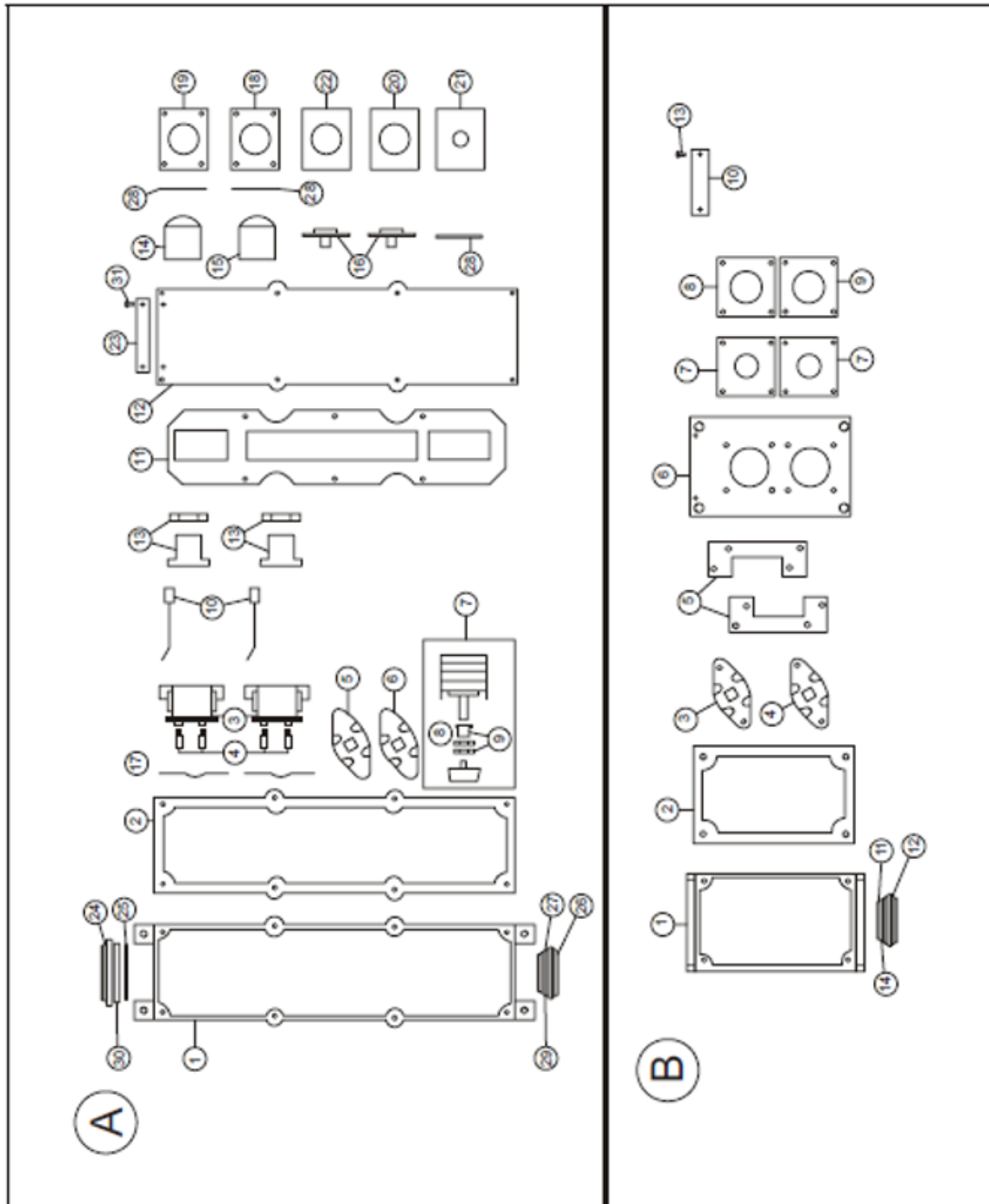


Figure 6-22 (Sheet 1 of 4) Pushbuttons and Switch Units
Figure 6-22 (feuille 1 de 4) Boutons-poussoirs et commutateurs

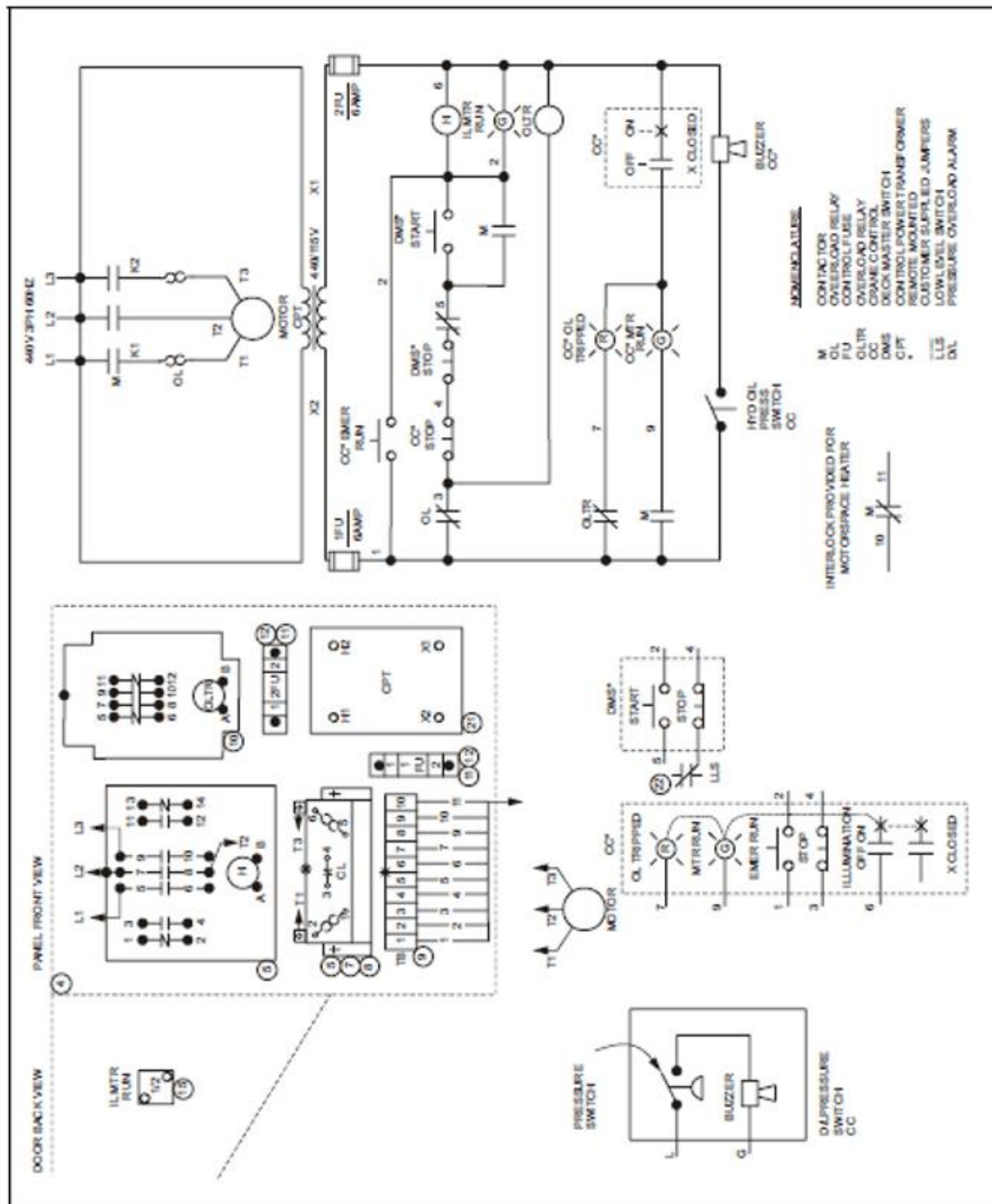
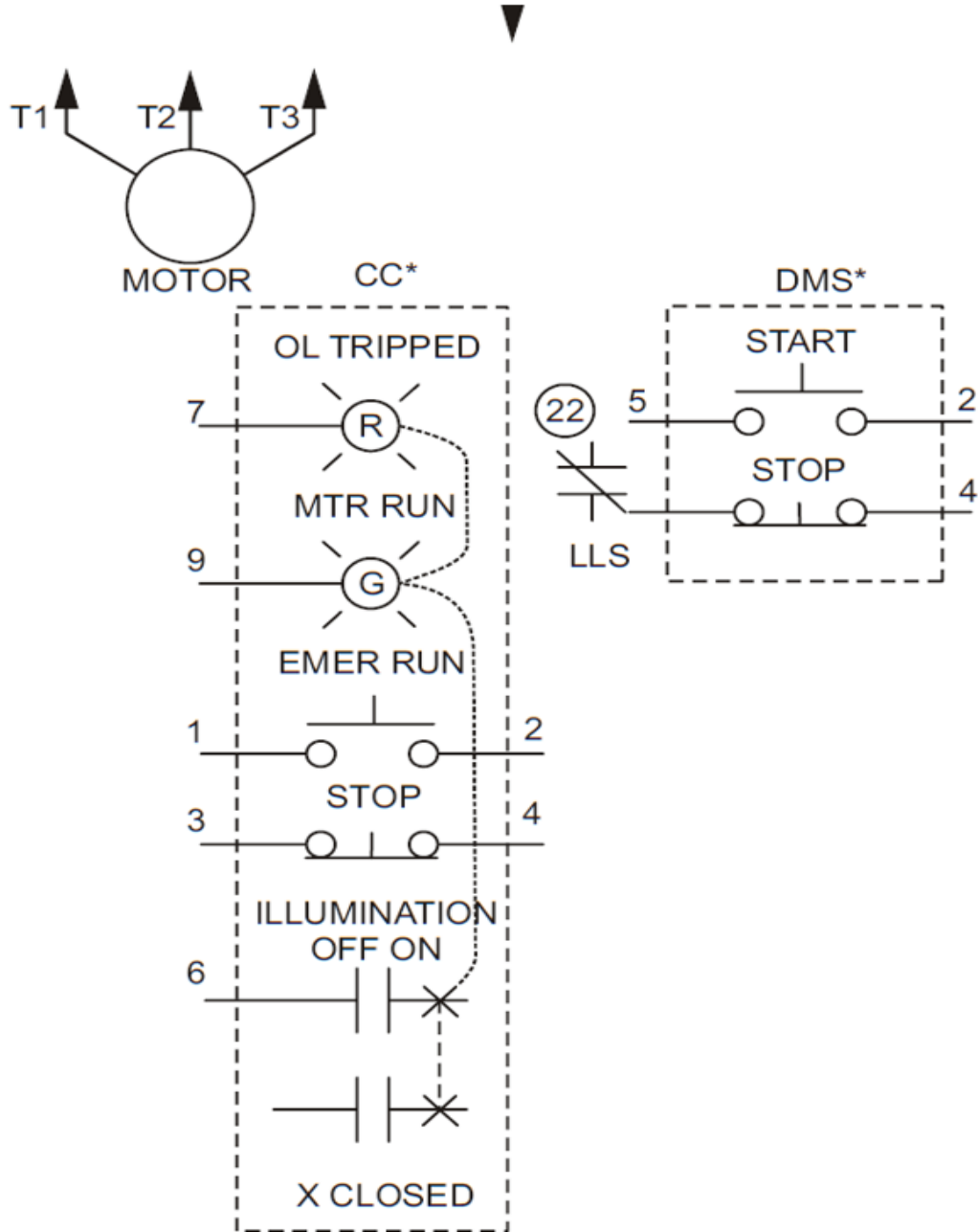


Figure 6-21 (Sheet 1 of 4) AC Magnetic Controller
Figure 6-21 (feuille 1 de 4) Contrôleur magnétique de c.a.



All other terms and conditions remain the same