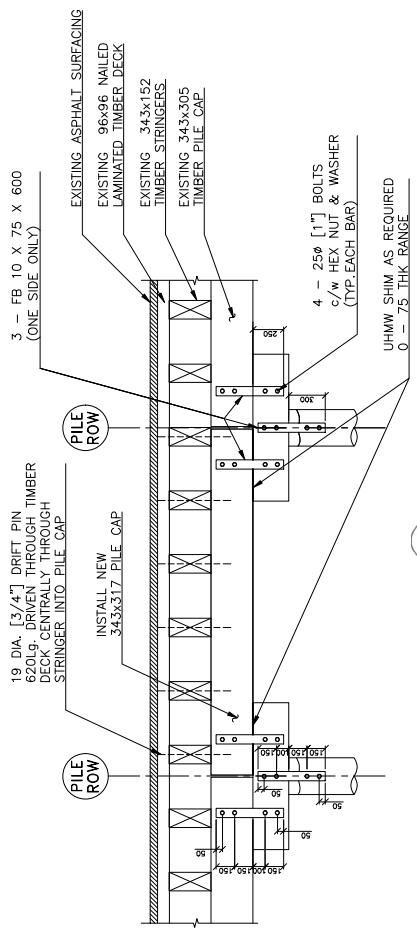
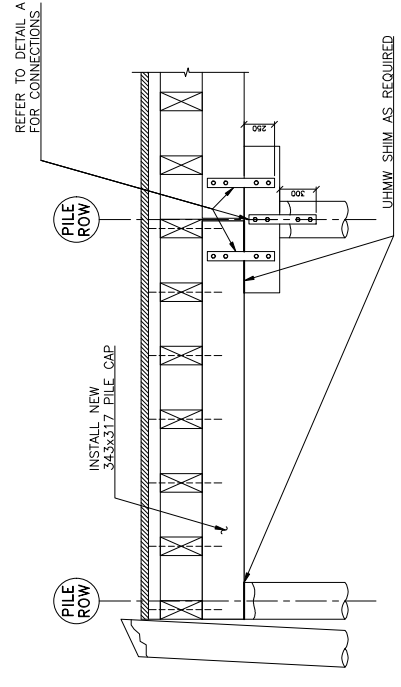


NOTES:

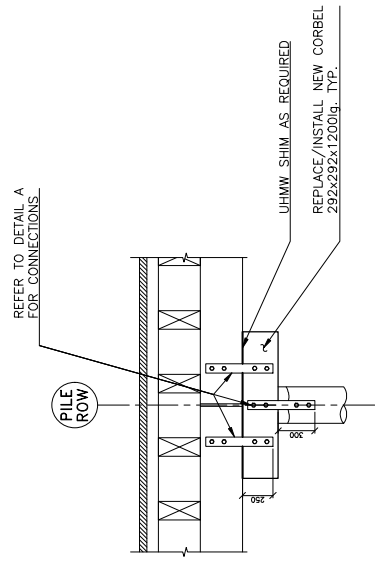
1. DO NOT SCALE DRAWINGS
2. ALL DIMENSIONS ARE IN MILLIMETERS UNLESS NOTED OTHERWISE
3. EXISTING TIMBER SIZES ARE APPROXIMATE AND MAY VARY BY 0-12mm.



TYP. PILE CAP REPLACEMENT DETAIL **A**
NOT TO SCALE



TYP. END PILE CAP REPLACEMENT DETAIL **B**
NOT TO SCALE



TYP. CORBEL REPLACEMENT DETAIL **C**
NOT TO SCALE

TYPICAL WHARF DETAILS

Project file/Titre du projet
**FALSE CREEK
LOADING WHARF REPAIRS**

Drawing file/Titre du dessin

Project Manager/Administrateur de Projets

Project No./No. du projet

FC - LWFR

Consultant Signature & Date only

Designed by/Concept par

Date/Date

Sheet/Feuille

Revision/Revision

OC

JUNE-2020

002

1