

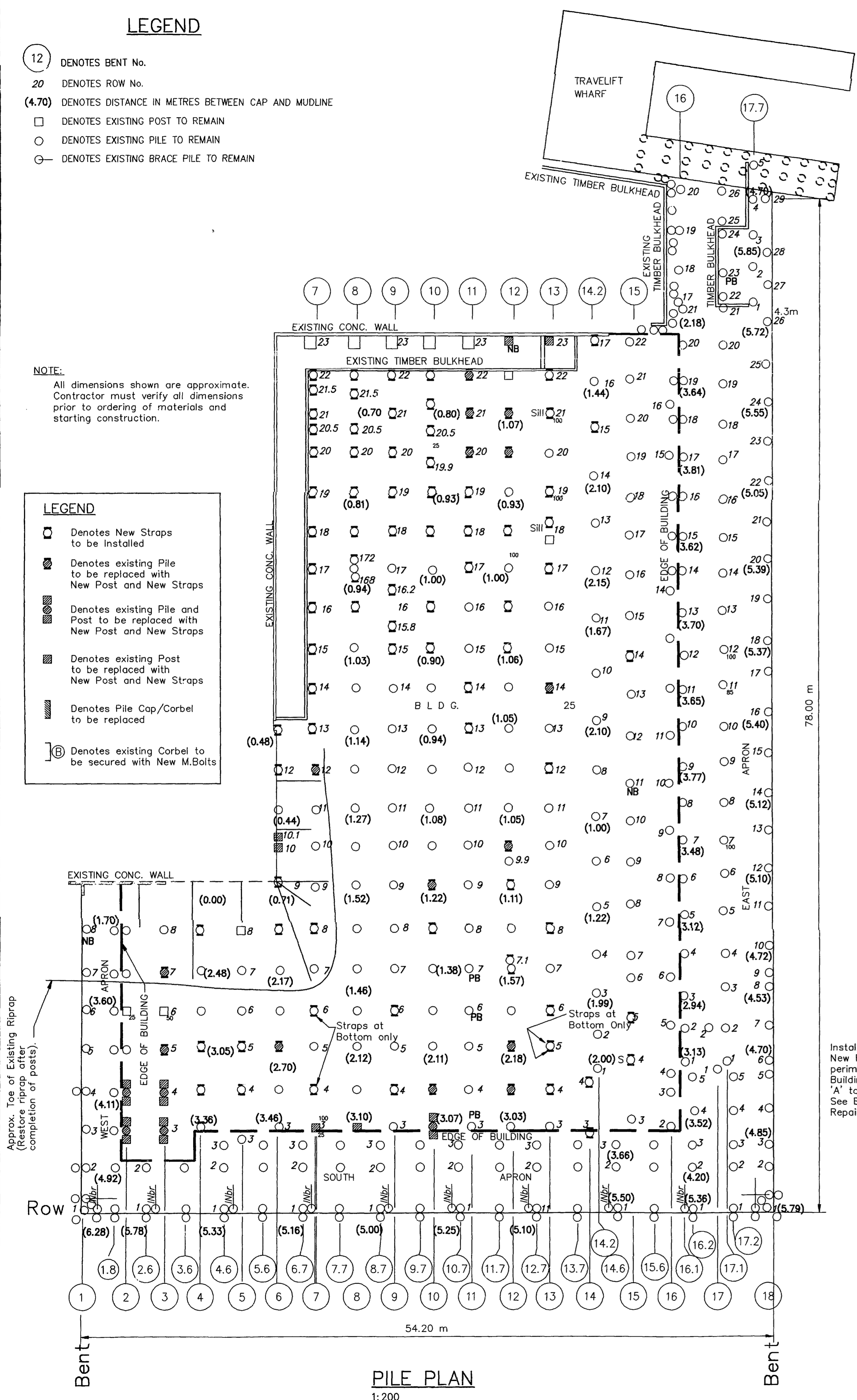
**LEGEND**

- 12 DENOTES BENT No.
- 20 DENOTES ROW No.
- (4.70) DENOTES DISTANCE IN METRES BETWEEN CAP AND MUDLINE
- DENOTES EXISTING POST TO REMAIN
- DENOTES EXISTING PILE TO REMAIN
- ⊖ DENOTES EXISTING BRACE PILE TO REMAIN

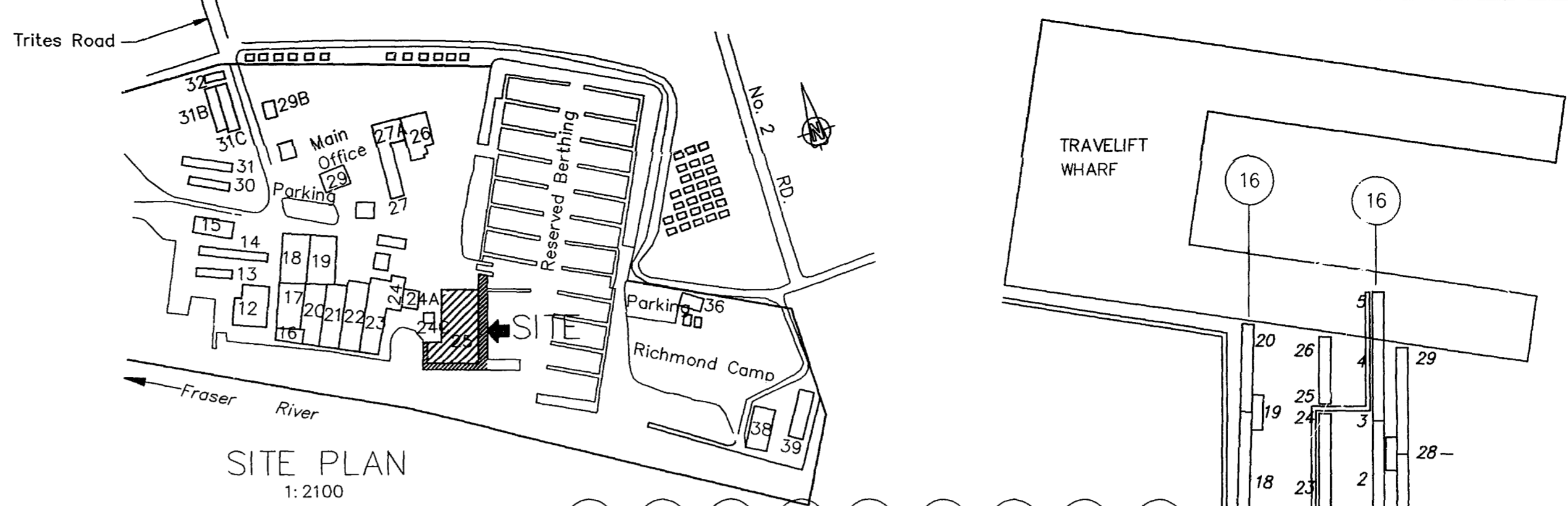
**NOTE:**  
All dimensions shown are approximate. Contractor must verify all dimensions prior to ordering of materials and starting construction.

**LEGEND**

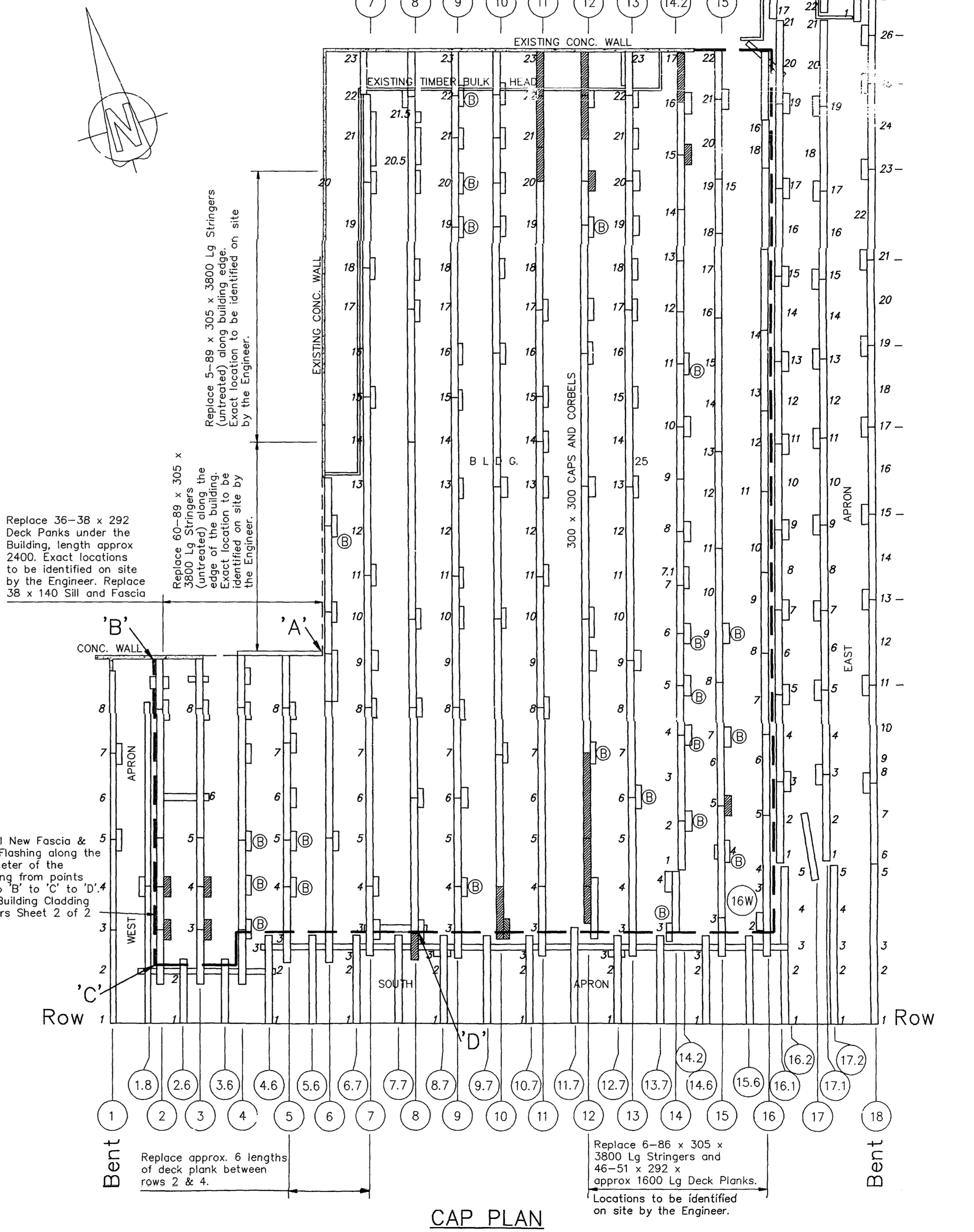
- Denotes New Straps to be Installed
- ▨ Denotes existing Pile to be replaced with New Post and New Straps
- ▩ Denotes existing Pile and Post to be replaced with New Post and New Straps
- ▧ Denotes existing Post to be replaced with New Post and New Straps
- ▦ Denotes Pile Cap/Corbel to be replaced
- ⊖ Denotes existing Corbel to be secured with New M.Bolts



**PILE PLAN**  
1:200



**SITE PLAN**  
1:2100



**CAP PLAN**  
1:200

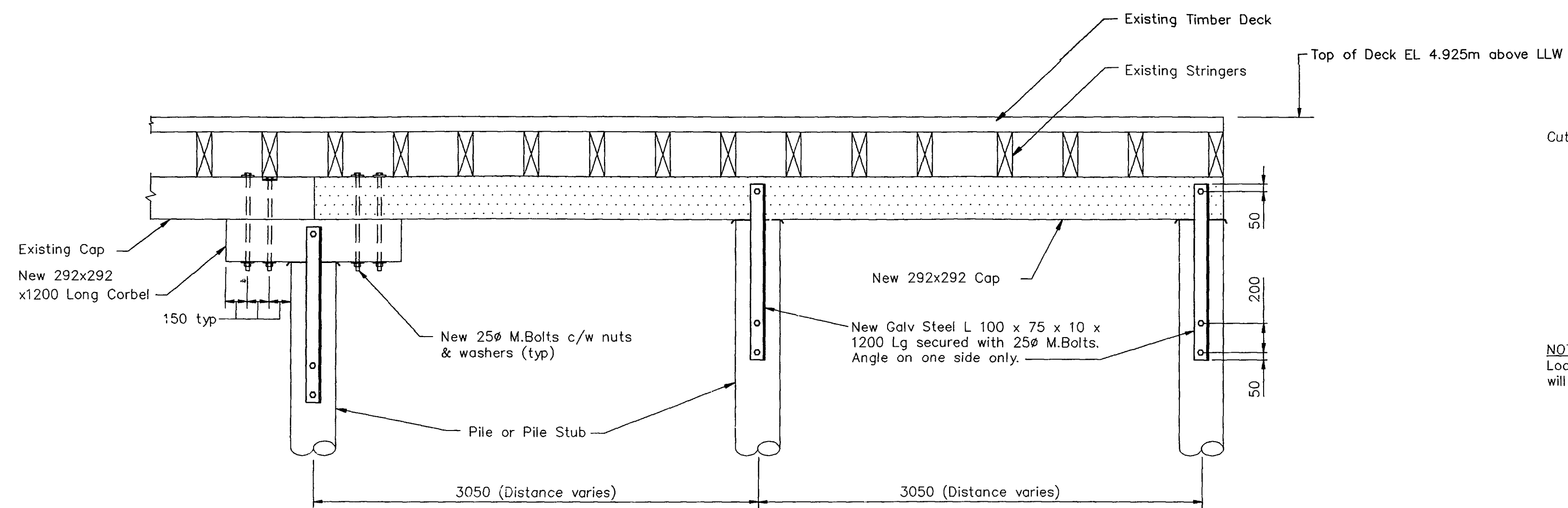
revision	date						
<table border="1"> <tr> <td>A</td> <td>A detail no. or detail</td> </tr> <tr> <td>B</td> <td>B location drawing no. or design no.</td> </tr> <tr> <td>C</td> <td>C drawing no. or design no.</td> </tr> </table>		A	A detail no. or detail	B	B location drawing no. or design no.	C	C drawing no. or design no.
A	A detail no. or detail						
B	B location drawing no. or design no.						
C	C drawing no. or design no.						

project  
**RICHMOND, B.C. STEVESTON HARBOUR PARAMOUNT SITE BUILDING No. 1025 SUBSTRUCTURE REPAIR**

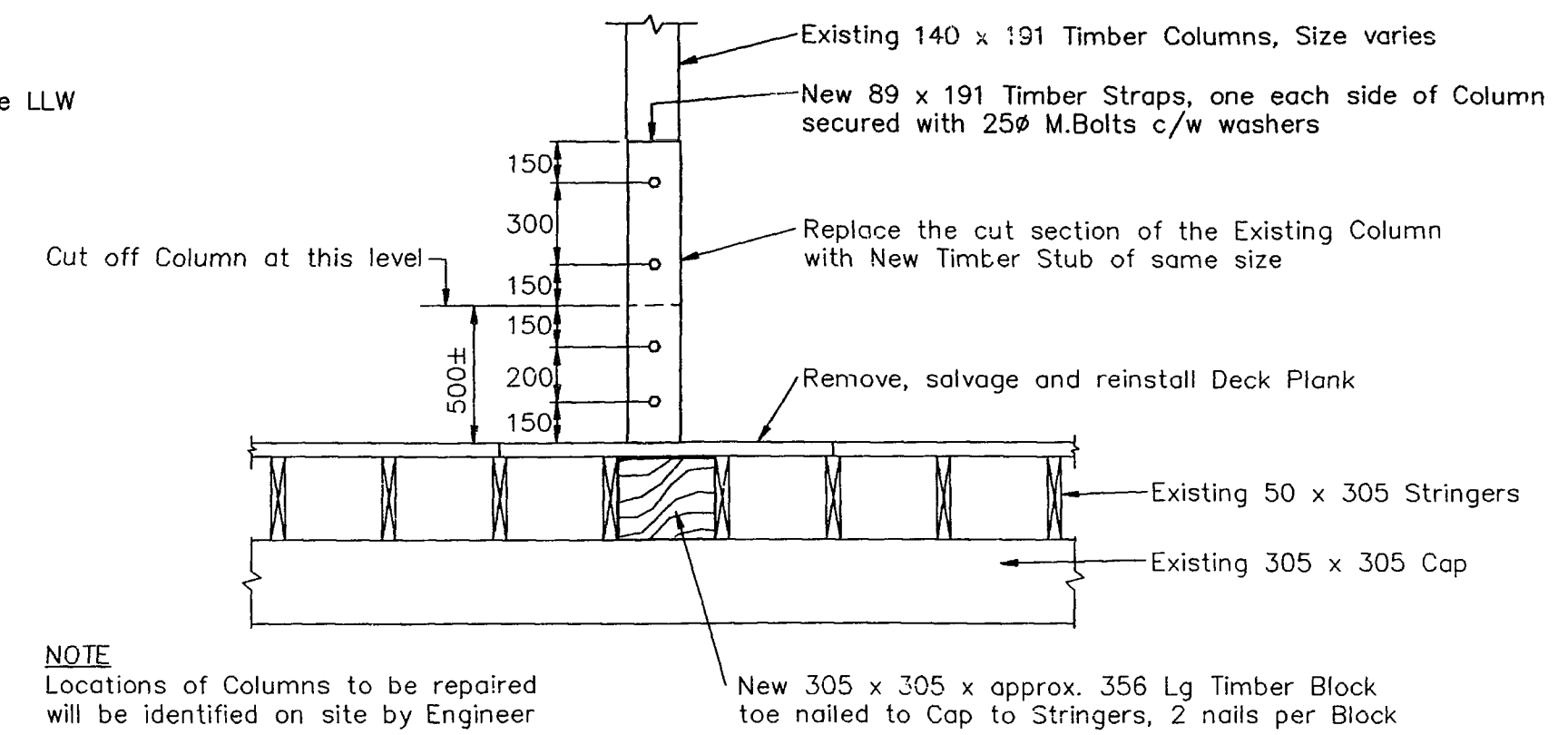
**PILE AND CAP PLAN**

designed	Jerry Chen	concur
date	April 1996	
drawn	HDT	desain
date	April 1996	
reviewed	Not Applicable	examine
date		
approved	<i>[Signature]</i>	approve
tender		Submission
PWC Project Manager		Administrateur de projets TPC

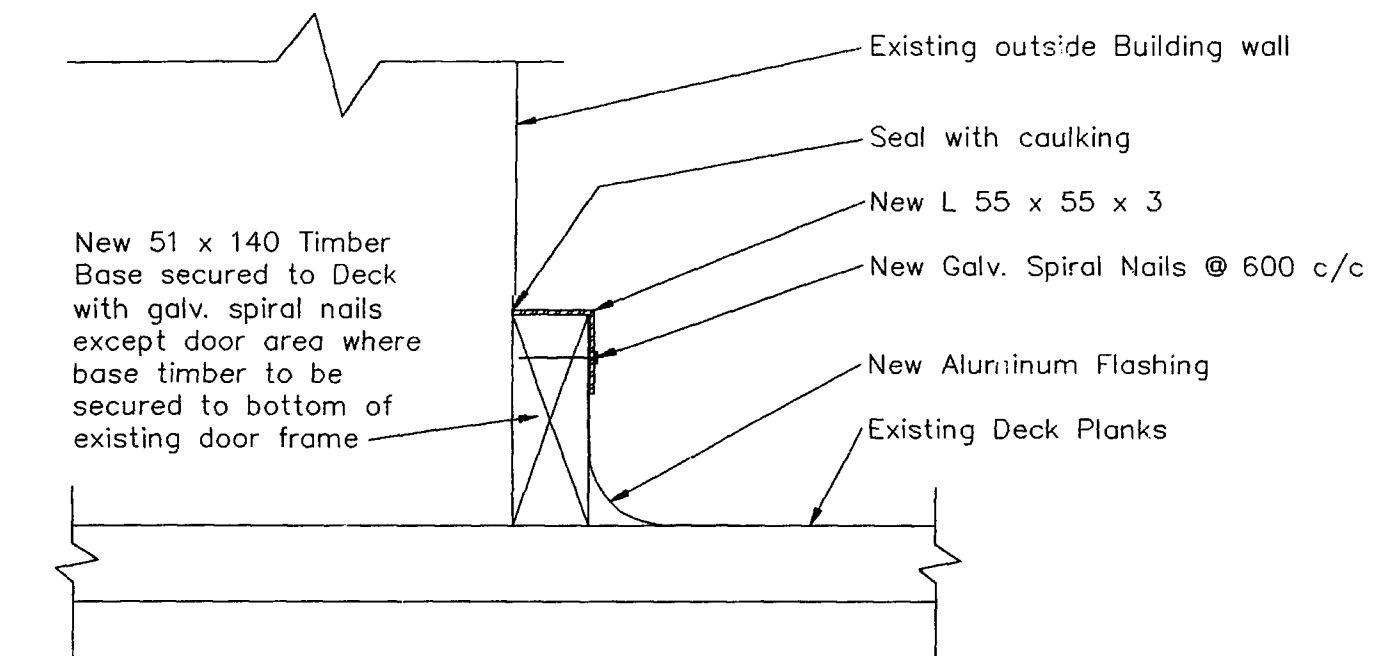
project no. **703840**



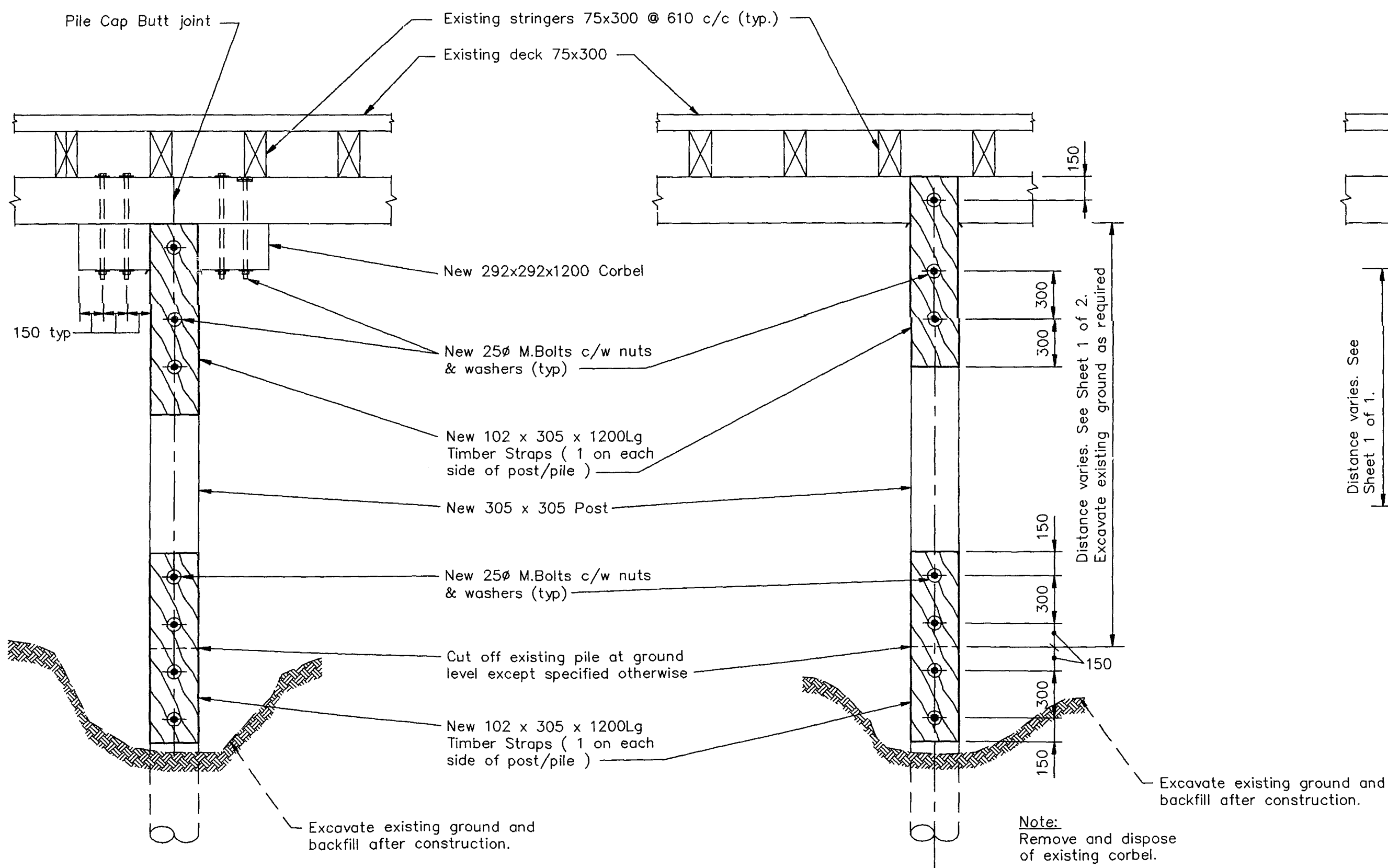
**PILE CAP REPLACEMENT TYP.**  
1:25



**BUILDING COLUMN REPAIRS**  
1:25

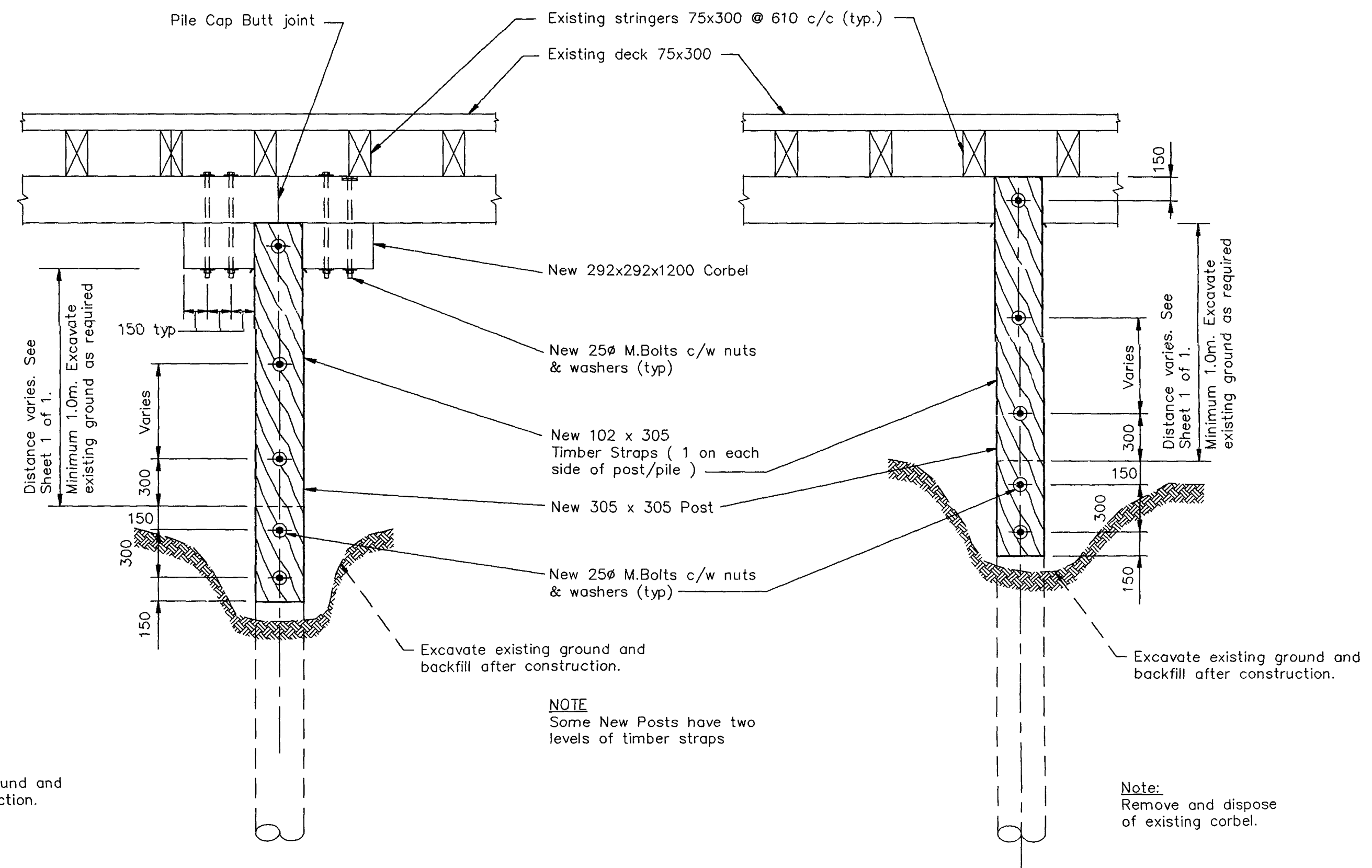


**BUILDING CLADDING REPAIRS**  
1:5



**NEW POST WITH CORBEL (TYP.)**  
FOR POSTS WHERE GROUND LINES ARE 1.8m OR MORE BELOW PILE CAP  
1:25

**NEW POST WITHOUT CORBEL (TYP.)**  
FOR POSTS WHERE GROUND LINES ARE 1.8m OR MORE BELOW PILE CAP  
1:25



**NEW POST WITH CORBEL (TYP.)**  
FOR POSTS WHERE GROUND LINES ARE LESS THAN 1.8m BELOW PILE CAP  
1:25

**NEW POST WITHOUT CORBEL (TYP.)**  
FOR POSTS WHERE GROUND LINES ARE LESS THAN 1.8m BELOW PILE CAP  
1:25

revision	date
A	
B	
C	

project  
**RICHMOND, B.C.  
STEVESTON HARBOUR  
PARAMOUNT SITE  
BUILDING No. 1025  
SUBSTRUCTURE REPAIR**

**SECTIONS AND  
DETAILS**

designed	Jerry Chen	concep
date	April 1996	
drawn	HDT	design
date	April 1996	
reviewed	Not Applicable	exam
date		
approved		approve
date		
tender		Submission
PWC Project Manager		Administrateur de projets TPC
project no.	703840	no. du projet
drawing no.		no. du dessin