

NOTES

1. ALL UNITS ARE IN METRES UNLESS OTHERWISE NOTED.
2. EXPANSION JOINT LOCATIONS ARE SHOWN APPROXIMATE AND CONTRACTOR TO CONFIRM EXACT LOCATIONS.

REFERENCES

1. WESTMAR CONSULTING ENGINEERS, CAD FILE: 03122-00-201revP2_r14.dwg., DATED: JANUARY 22, 2004.
2. REALCRETE CONSULTANTS INC., CAD FILE: Figs 1 and 2 v0.dwg., DATED: AUGUST 04, 2021.



REALCRETE CONSULTANTS INC.
 PERMIT TO PRACTICE #1003092



DO NOT SCALE DRAWINGS

Revision	Description	Date
1	ISSUED FOR TENDER	2021-12-16
0	ISSUED FOR FINAL	2021-09-16

FISHERIES & OCEANS CANADA
Small Craft Harbours Branch
Pacific Division

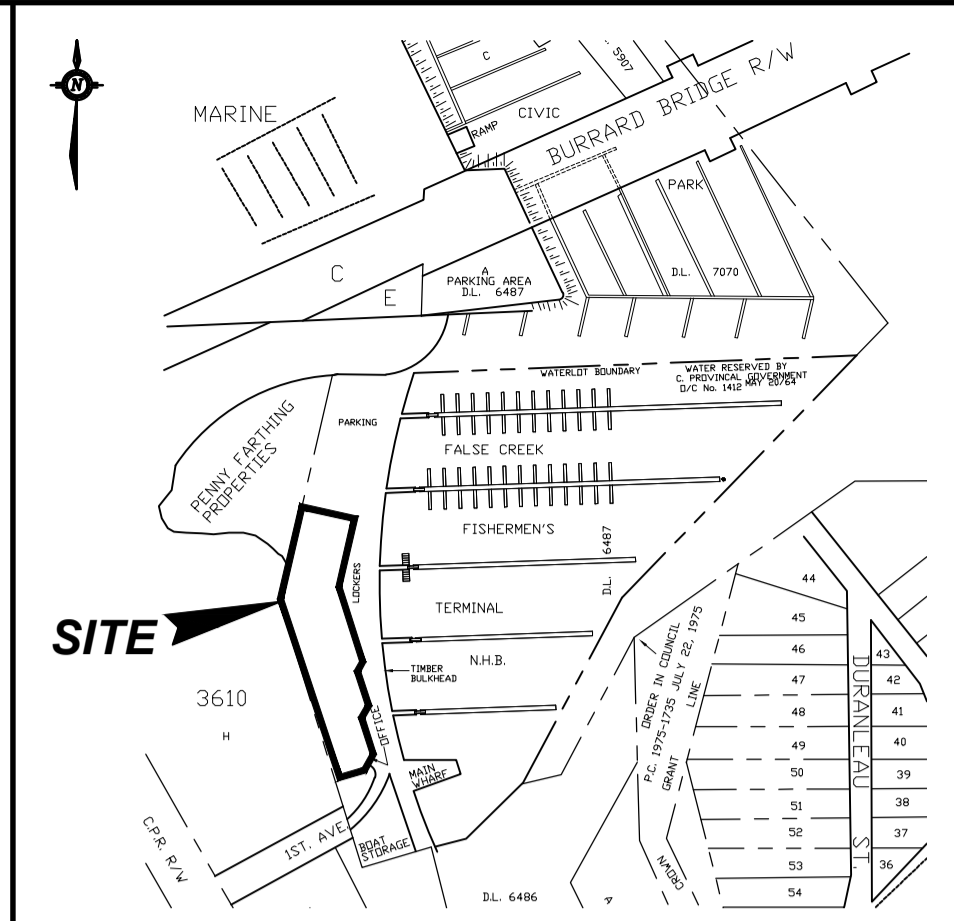
200 - 401 Burrard Street
 Vancouver, Canada, V6C 3S4

Project title: **FALSE CREEK WHARF**

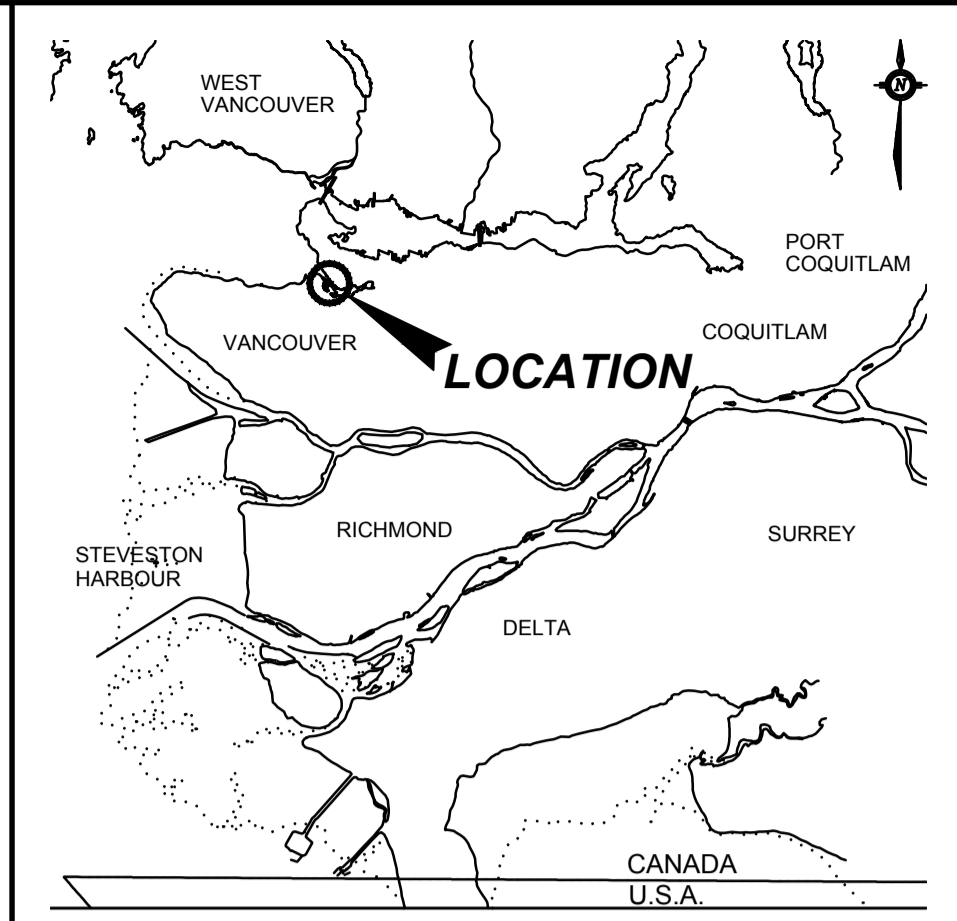
FALSE CREEK WHARF

Designed by: C.S.
 Drawn by: J.S.D.
 Approved by: S.L.
 PWSC Project Manager: S.L.
 Drawing title: **SITE PLAN**

Project no./No. du projet	Drawing no./No. du dessin	Revision no.
18110369	001	1

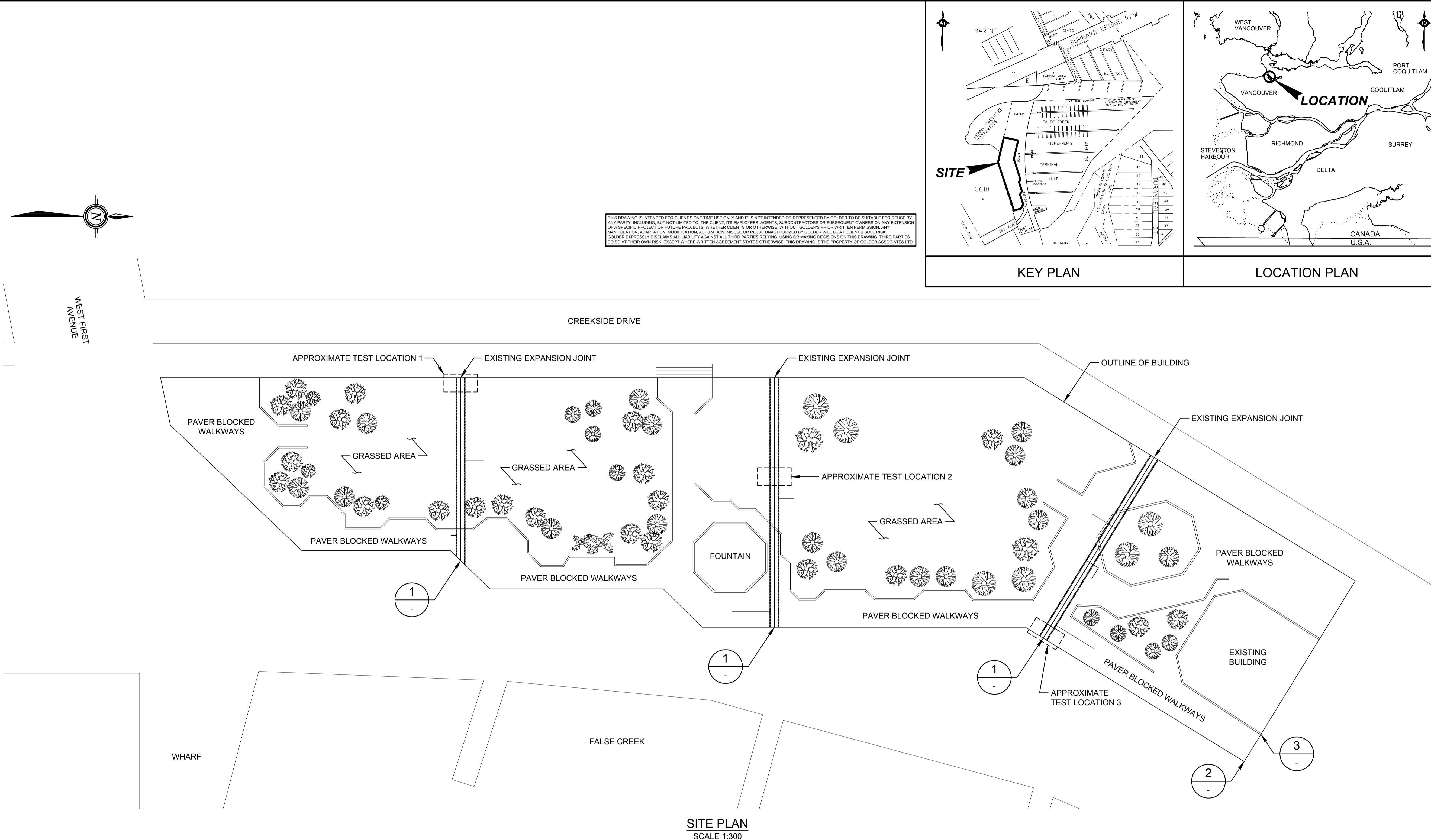


KEY PLAN

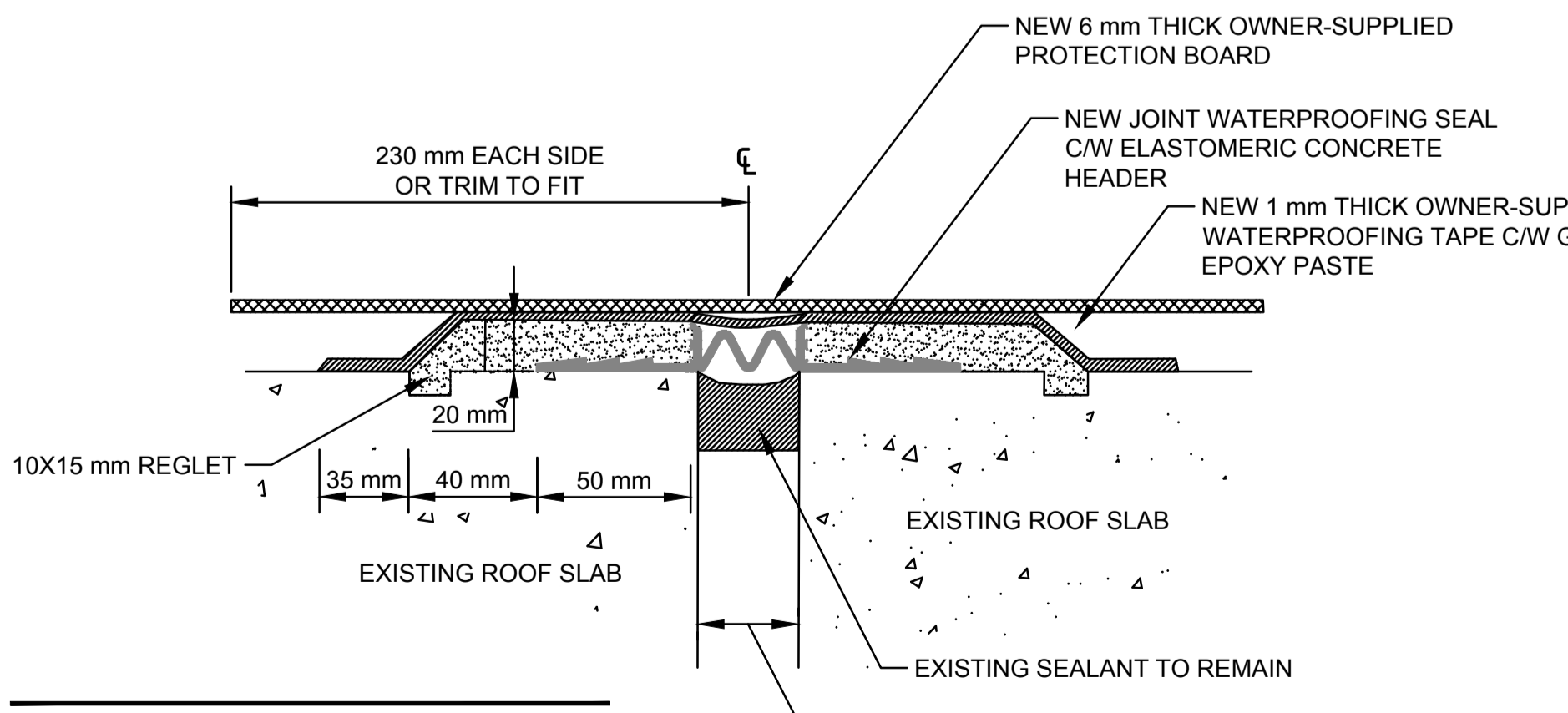


LOCATION PLAN

THIS DRAWING IS INTENDED FOR CLIENT'S ONE TIME USE ONLY AND IT IS NOT INTENDED OR REPRESENTED BY GOLDER TO BE SUITABLE FOR REUSE BY ANY PARTY, INCLUDING, BUT NOT LIMITED TO, THE CLIENT, ITS EMPLOYEES, AGENTS, SUBCONTRACTORS OR SUBSEQUENT OWNERS ON ANY EXTENSION OF A SPECIFIC PROJECT OR FUTURE PROJECTS, WHETHER CLIENTS OR OTHERWISE, WITHOUT GOLDER'S PRIOR WRITTEN PERMISSION. ANY MANIPULATION, ADAPTATION, MODIFICATION, ALTERATION, REUSE OR REUSE UNAUTHORIZED BY GOLDER WILL BE AT CLIENT'S SOLE RISK. GOLDER EXPRESSLY DISCLAIMS ALL LIABILITY AGAINST ALL THIRD PARTIES RELYING, USING OR MAKING DECISIONS ON THIS DRAWING. THIRD PARTIES GO SO AT THEIR OWN RISK, EXCEPT WHERE WRITTEN AGREEMENT STATES OTHERWISE. THIS DRAWING IS THE PROPERTY OF GOLDER ASSOCIATES LTD.



SITE PLAN
 SCALE 1:300



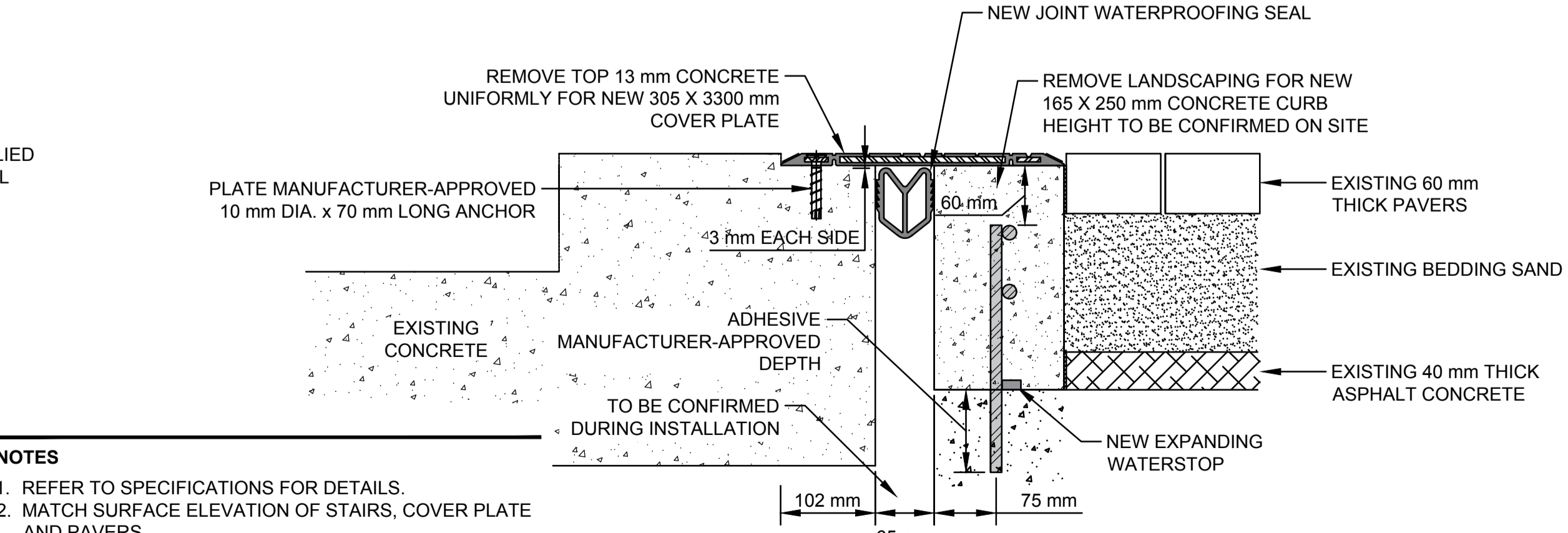
NOTES

1. REFER TO SPECIFICATIONS FOR DETAILS.
2. EXISTING LANDSCAPING TO BE REINSTATED.

JOINT WIDTH MEASURED: ON FEBRUARY 3, 2021

TEST LOCATION # 1: 22 mm
 TEST LOCATION # 2: 35 mm
 TEST LOCATION # 3: 32 mm

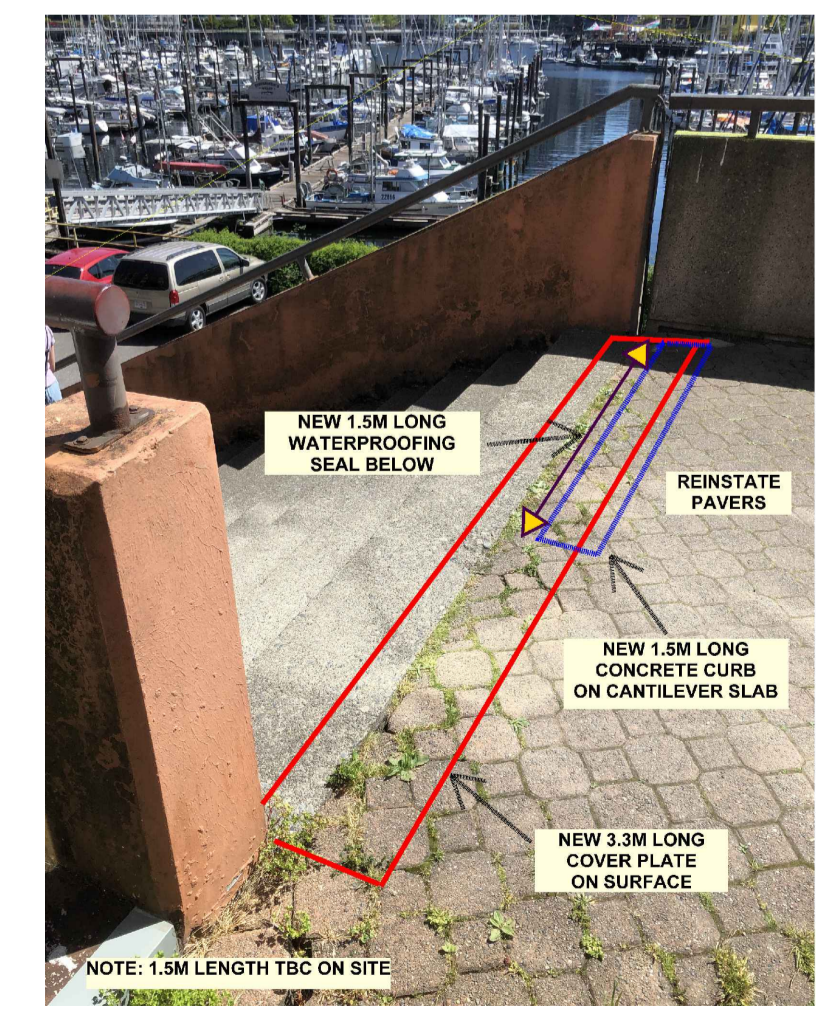
NOT TO SCALE 1 WATERPROOFING ROOF EXPANSION JOINTS



NOTES

1. REFER TO SPECIFICATIONS FOR DETAILS.
2. MATCH SURFACE ELEVATION OF STAIRS, COVER PLATE AND PAVERS.
3. CURB EXTENDS FULL LENGTH OF JOINT WATERPROOFING (1500 mm TBC).
4. CURB REBAR 15 m VERT @ 300 mm, 15 m HOR @ 100 mm.

NOT TO SCALE 2 NEW CURB AND WATERPROOFING BUILDING SEPARATION JOINT NORTHEAST OF ROOF



NOT TO SCALE 3 PHOTO LOCATION

CADD FILE LOCN: R:\VANCOUVER\CAD\DISCUSS\SMALL CRAFT HARBOURS\FALSE_CREEK_WHARF\99_PROJECTS\18110369\5000\DOC_13\02_PRODUCTION\DWG\18110369-5000-01.DWG