



WATER SURVEY OF CANADA
PACIFIC & YUKON REGION

PROJECT MURRAY RIVER NEAR THE MOUTH

DETAIL ASSEMBLY

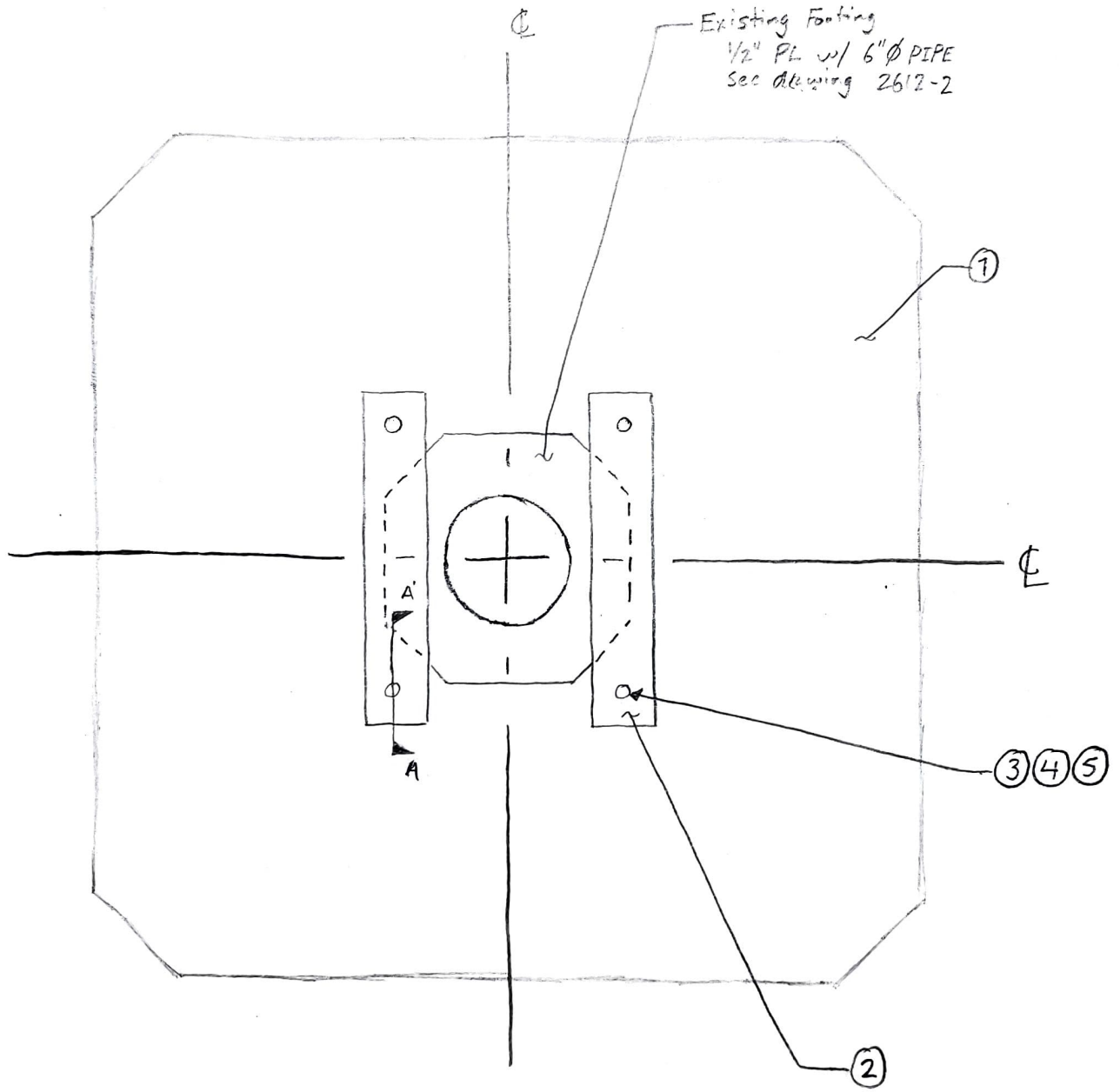
SHEET

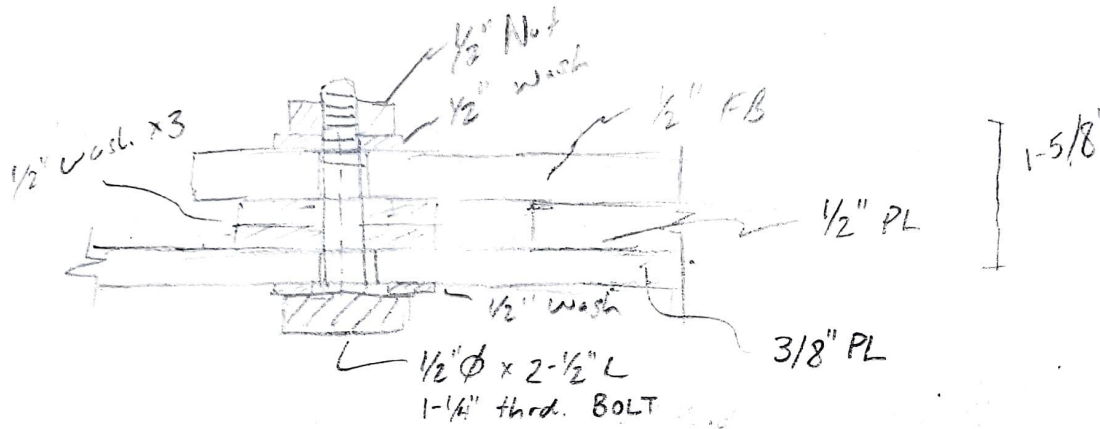
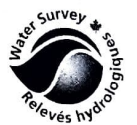
1

OF 4

FILE NO.

COMPUTED	DATE	CHECKED	DATE
----------	------	---------	------





Section A-A

* Threading will go $\frac{3}{8}$ " below top of FB

BOM

<u>Number</u>	<u>Item</u>	<u>Qty</u>
1	$\frac{3}{8}$ " PL, GALV., 40" x 40"	4
2	3" x $\frac{1}{2}$ " FB, GALV., 16" L	8
3	$\frac{1}{2}$ " ϕ x 2- $\frac{1}{2}$ " L BOLT, GALV., 1- $\frac{1}{4}$ " thrd.	16
4	$\frac{1}{2}$ " ϕ NUT, GALV.	16
5	$\frac{1}{2}$ " ϕ WASHER, GALV.	80



WATER SURVEY OF CANADA
PACIFIC & YUKON REGION

PROJECT MURRAY RIVER NEAR THE MOUTH

DETAIL ADDITIONAL BASE PLATE

SCALE: 1/8

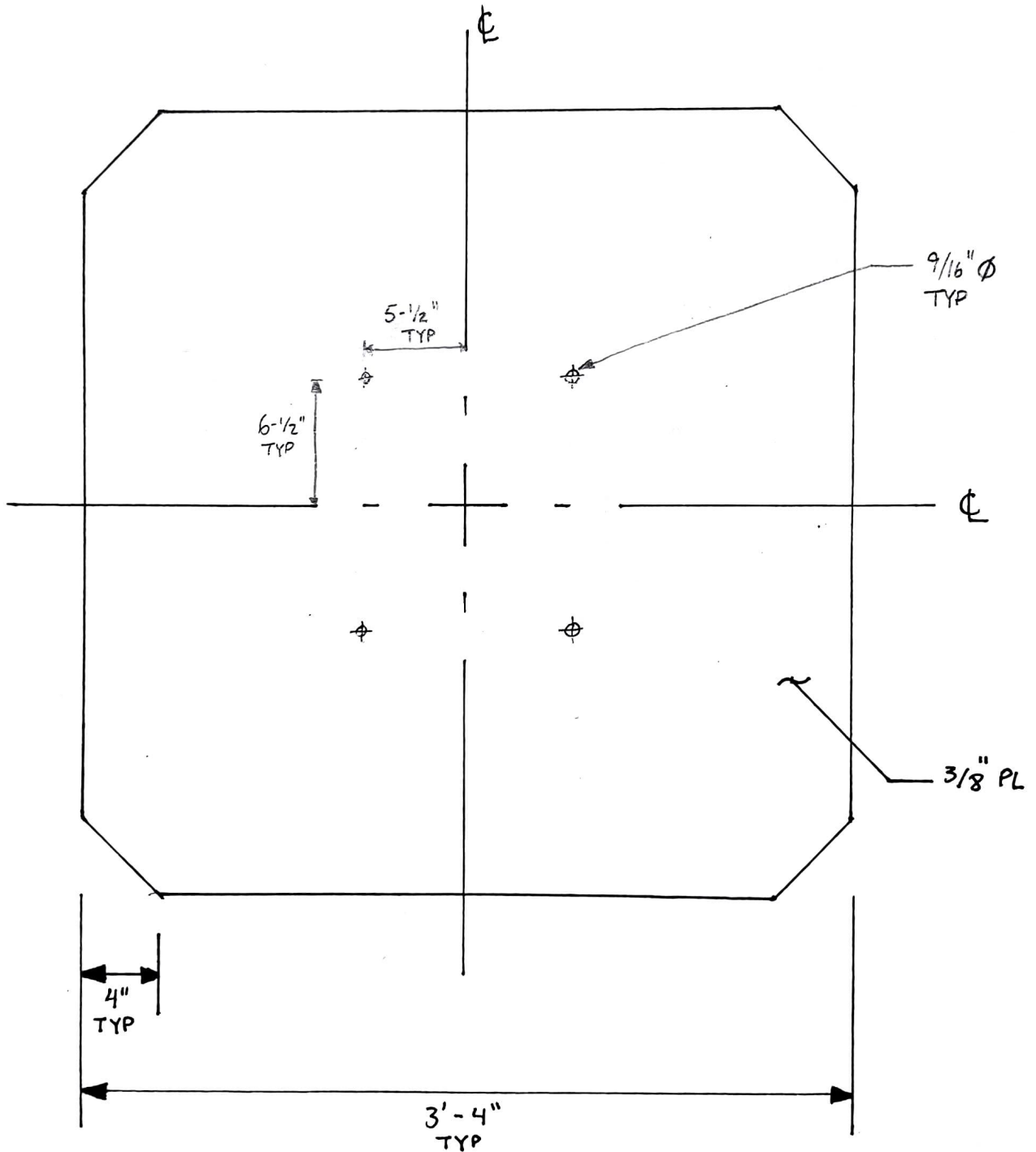
SHEET

3

OF 4

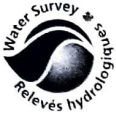
FILE NO.

ITEM 1



NOTES

1. TO BE HOT-DIP GALVANIZED



WATER SURVEY OF CANADA
PACIFIC & YUKON REGION

PROJECT

DETAIL

FLAT BAR MI

SHEET

4

OF 4

FILE NO.

COMPUTED

DATE

CHECKED

DATE

ITEM 2

9/16"
TYP

3" x 1/2" FB

NOTES

- TO BE HOT-DIP GALVANIZED

16"

1-1/2"
TYP

1-1/2"
TYP

