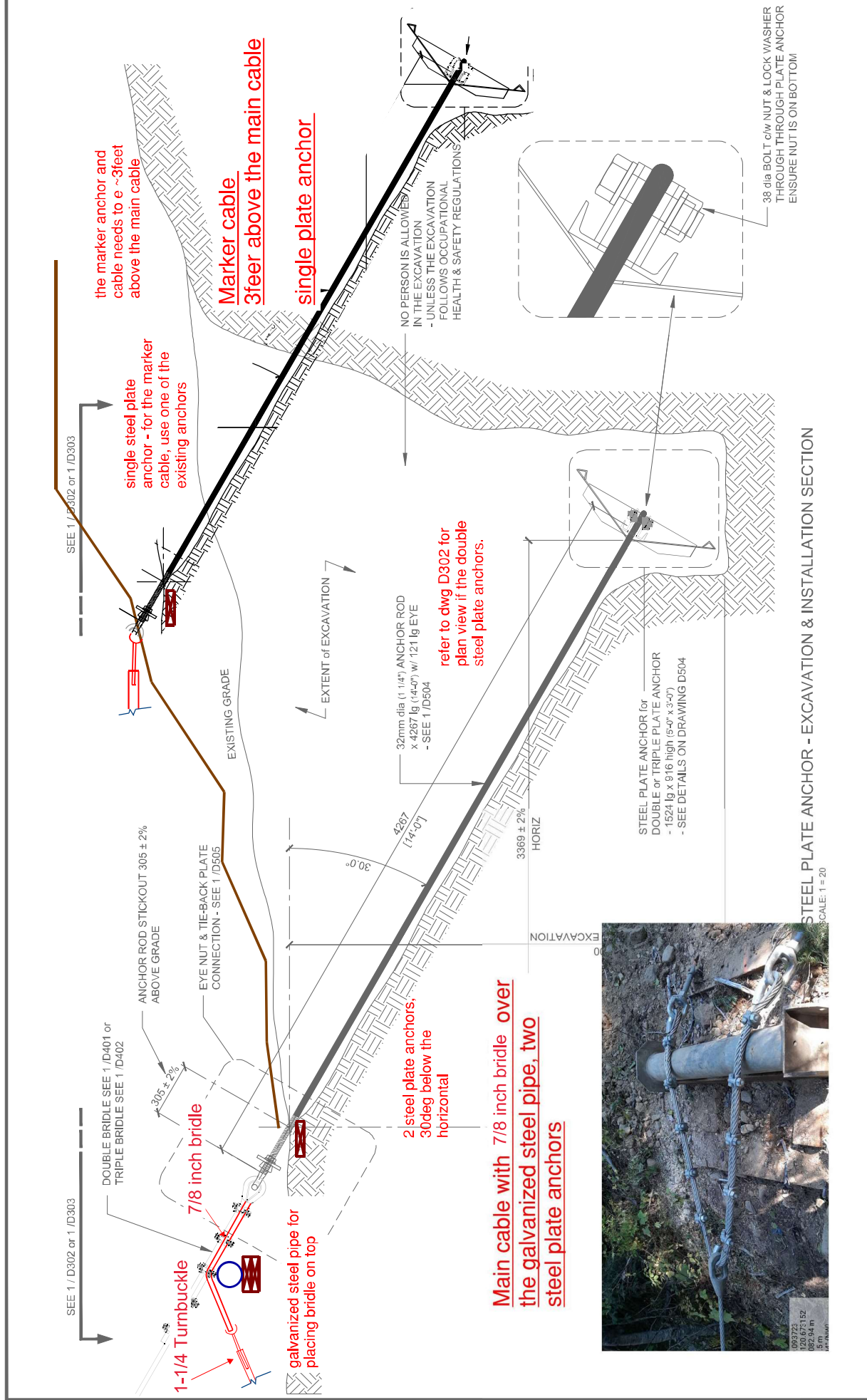
 <p>Environment and Climate Change Canada Environment et Changement Climatique Canada</p>	<p>Meteorological Services of Canada / Services météorologiques du Canada</p>	<p>PROJECT TITLE: River Cableway System Various Locations</p>	<p>DRAWING TITLE: Overall Cableway and River Plan and Elevation</p>	<p>Drawing no. D101</p>
--	---	--	---	-------------------------------------

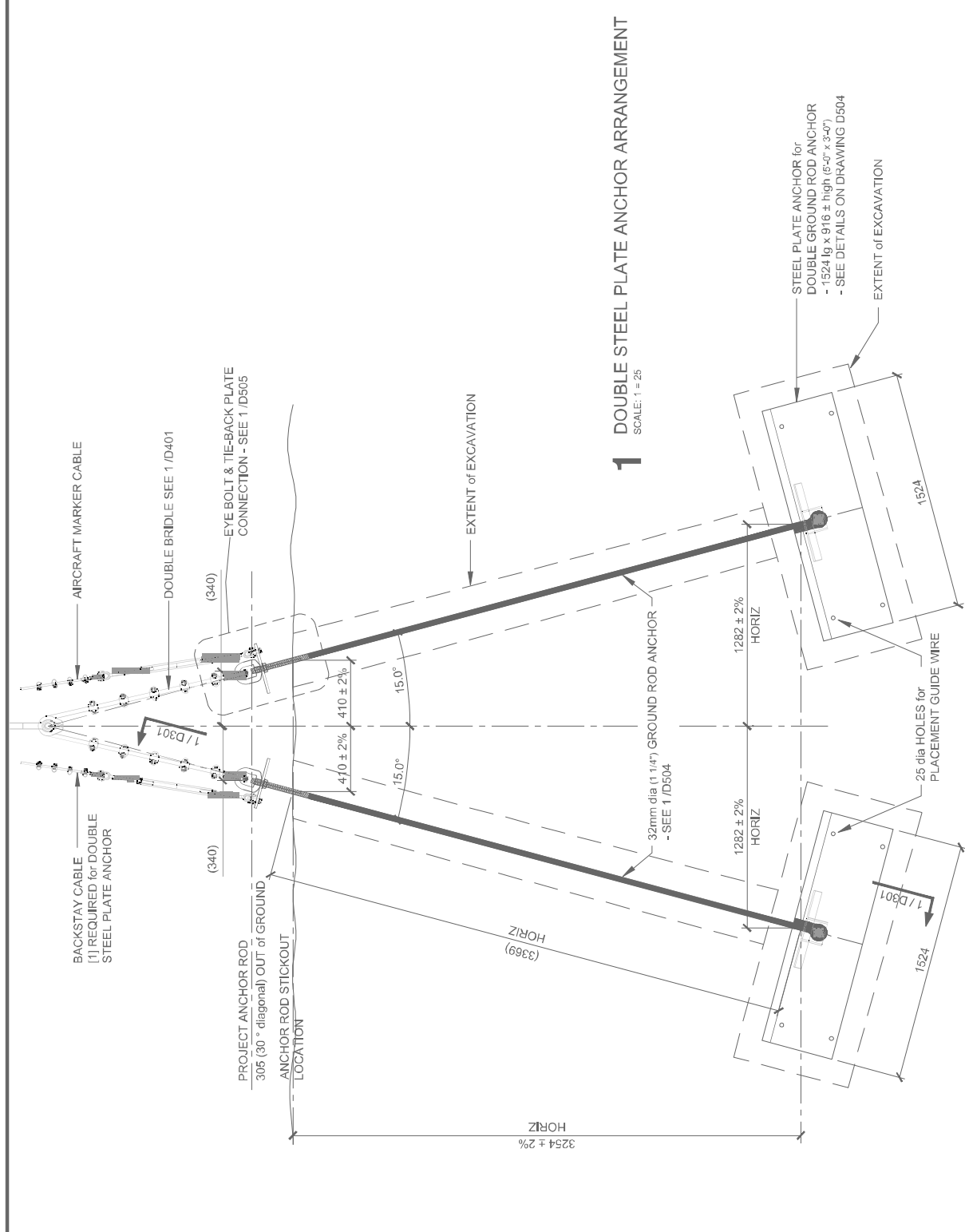


STEEL PLATE ANCHOR - EXCAVATION & INSTALLATION SECTION

	Environment et Changement Climatique Canada	Meteorological Services of Canada / Services météorologiques du Canada	PROJECT TITLE: River Cableway System Various Locations	DRAWING TITLE: River Bank Steel Plate Anchor Drawing no. D301
--	---	--	---	---



Latitude: 49.093723
Longitude: -120.673152
Elevation: 1082.94 m
Accuracy: 3.5 m
Azimuth: 294° (NW)
Pitch: -33.4° (-1.6°)
Time: 11-09-2020 15:19
Note: similkameen river RB anchor



1 DOUBLE STEEL PLATE ANCHOR ARRANGEMENT
SCALE: 1" = 25'

Drawing no. **D302**

DRAWING TITLE: Double Steel Plate Anchor Arrangement

PROJECT TITLE: River Cableway System
Various Locations

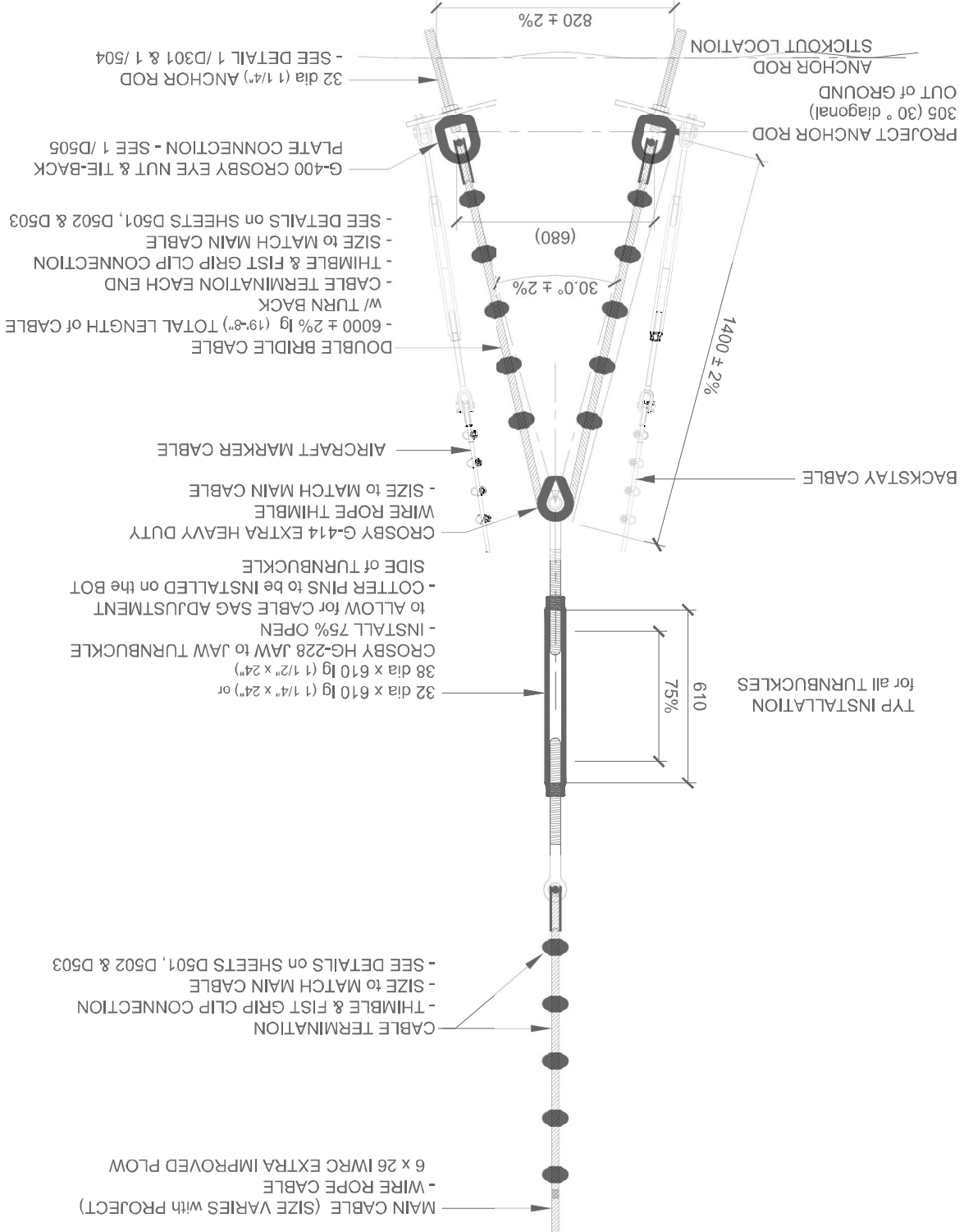
Environment et
Changement Climatique Canada
Meteorological
Services of Canada
Services météorologiques
du Canada

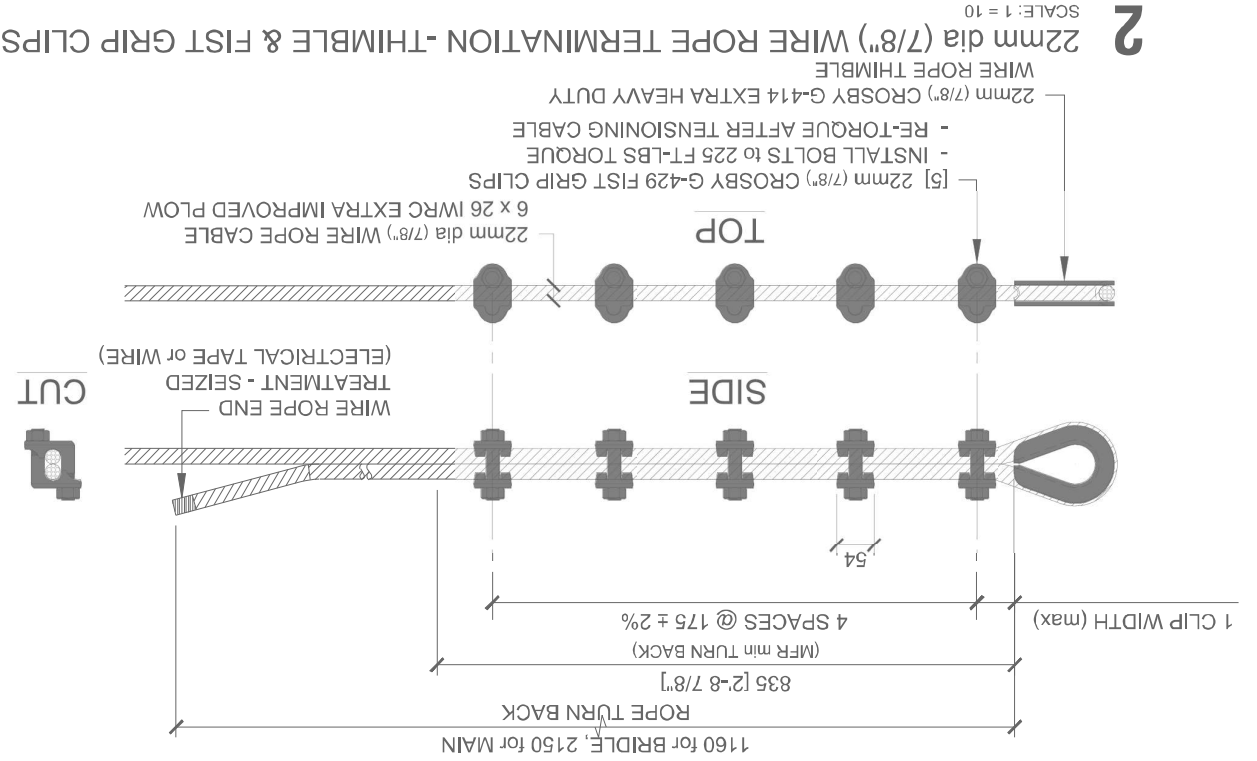
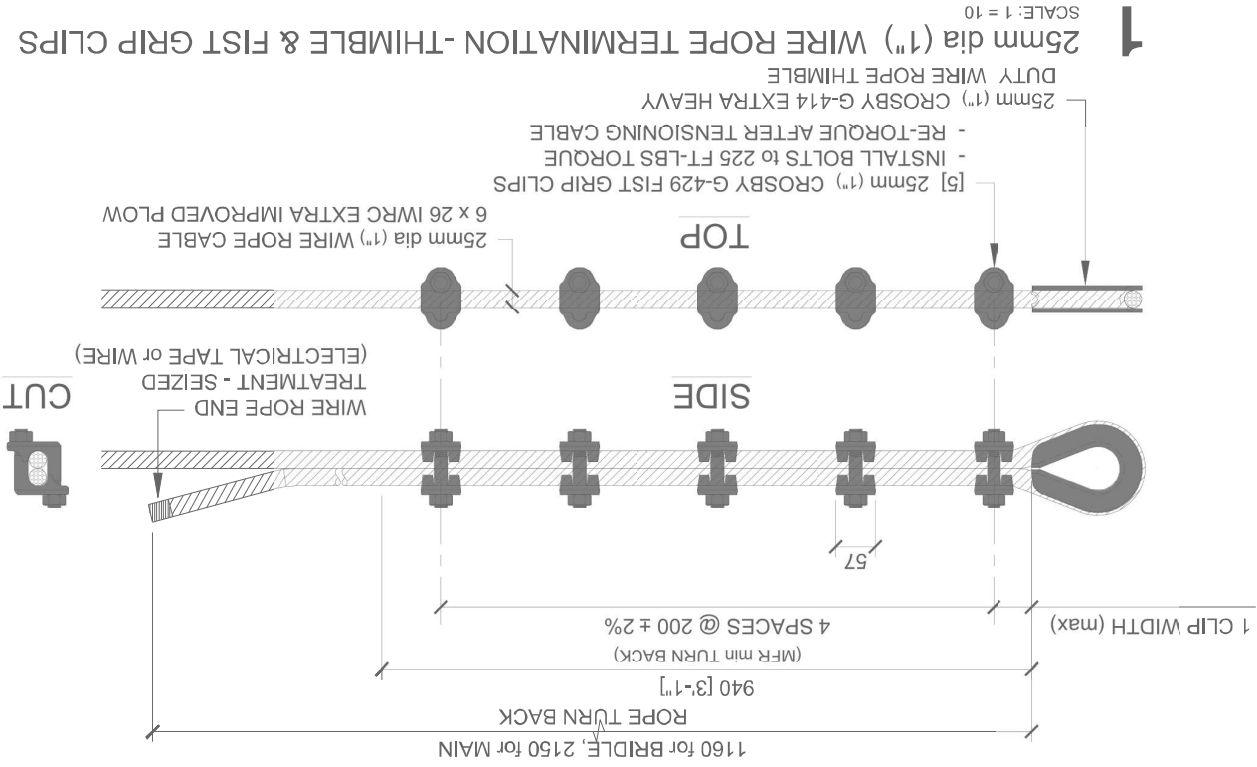
Environment and
Climate Change Canada



DOUBLE BRIDLE W/ TURNBUCKLE DETAIL

SCALE: 1 = 20



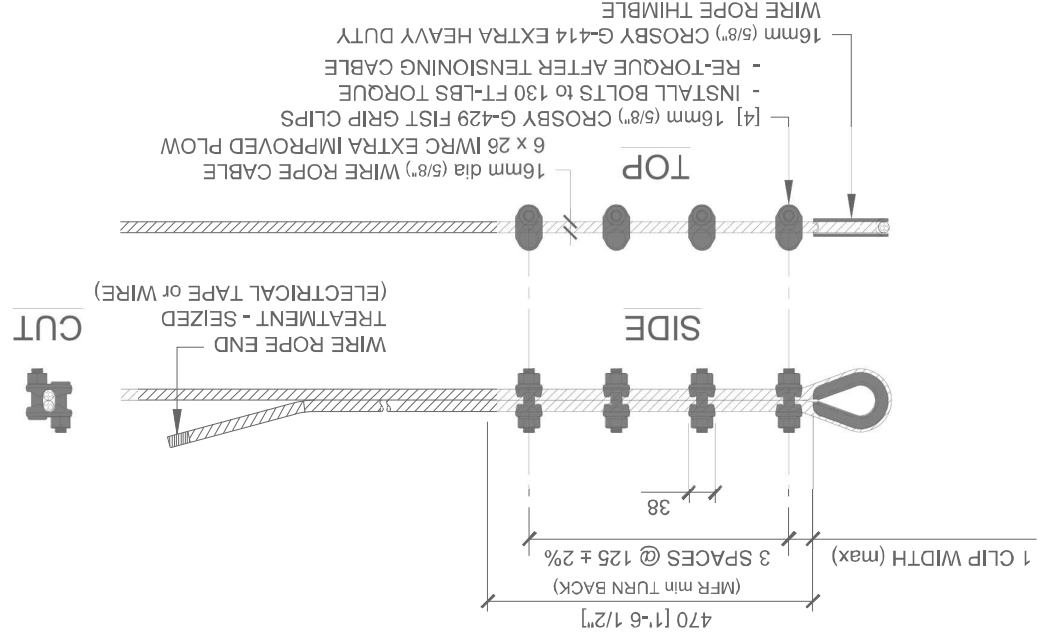


PROJECT TITLE:
River Cableway System
 Various Locations

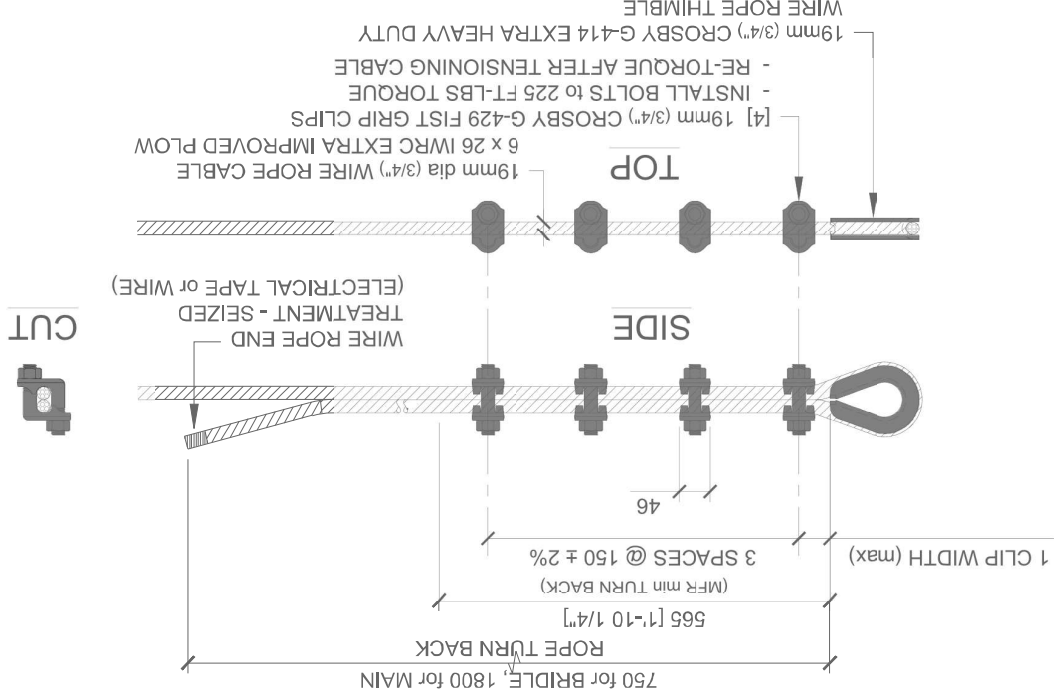
DRAWING TITLE:
 25mm dia (1") & 22mm dia (7/8")
 Thimble Steel Wire Rope Termination

Drawing no.
D501

2 16mm dia (5/8") WIRE ROPE TERMINATION - THIMBLE & FIST GRIP CLIPS
 SCALE: 1 = 10

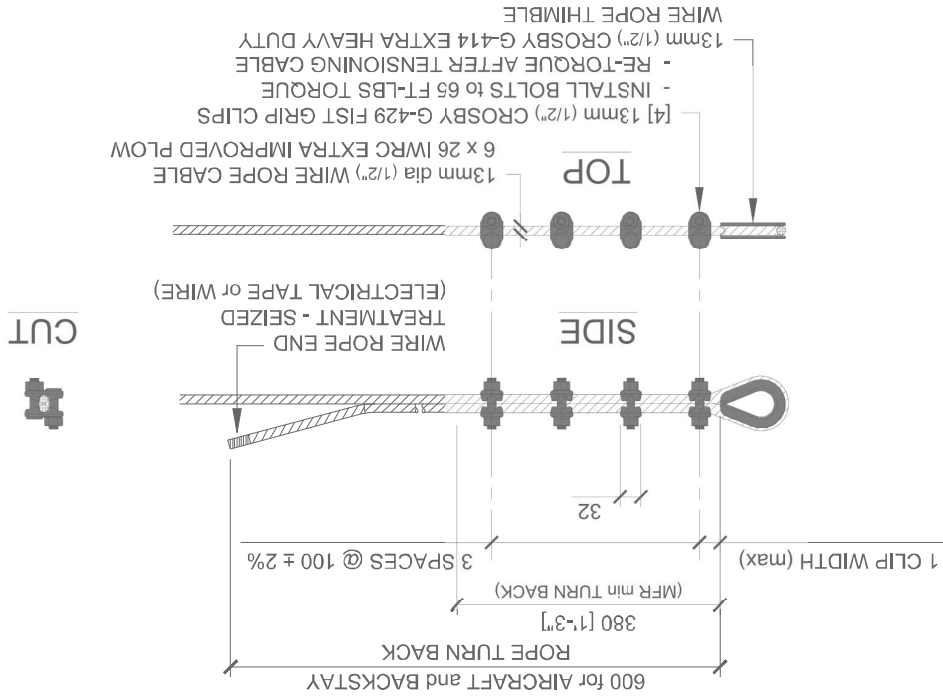


1 19mm dia (3/4") WIRE ROPE TERMINATION - THIMBLE & FIST GRIP CLIPS
 SCALE: 1 = 10



1 13mm dia (1/2") WIRE ROPE TERMINATION - THIMBLE & FIST GRIP CLIPS

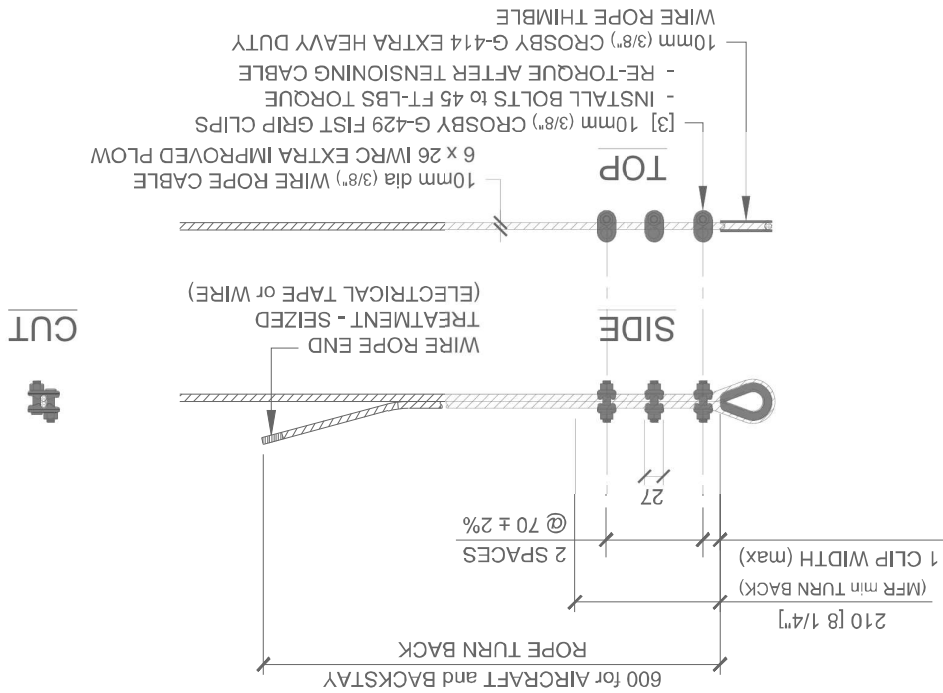
SCALE: 1 = 10



CUT

2 10mm dia (3/8") WIRE ROPE TERMINATION - THIMBLE & FIST GRIP CLIPS

SCALE: 1 = 10



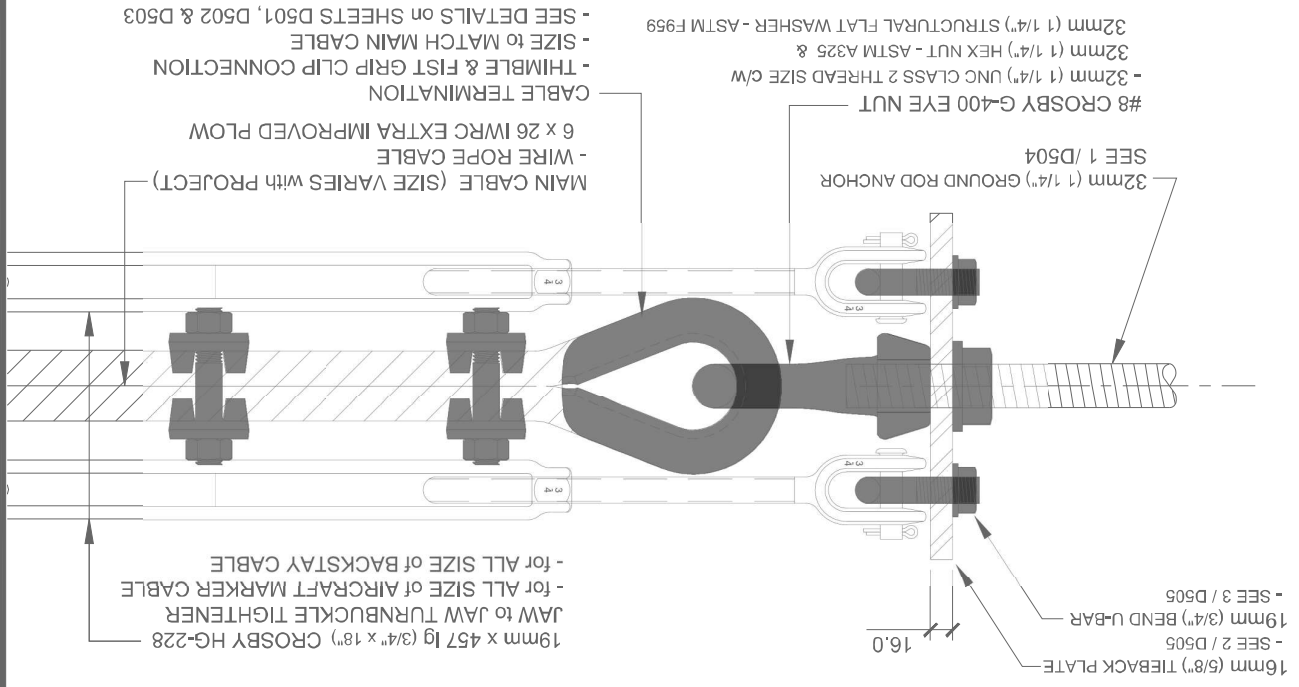
CUT

PROJECT TITLE: River Cableway System
 Various Locations

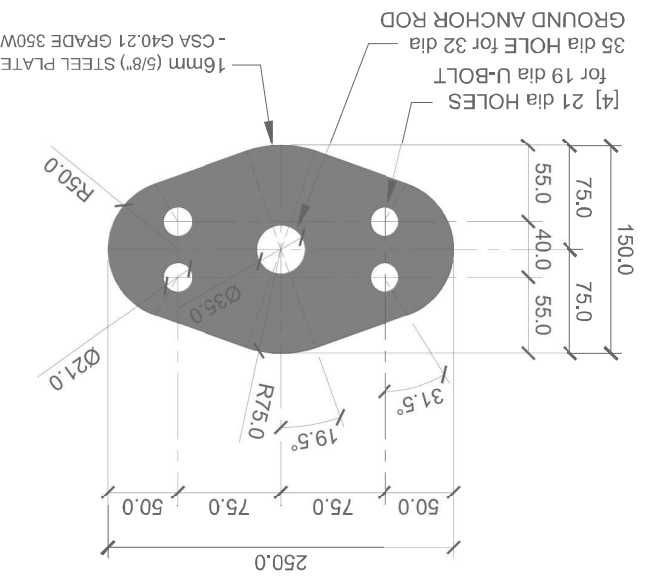
DRAWING TITLE: 13mm dia (1/2") & 10mm dia (3/8") Thimble Steel Wire Rope Termination

Drawing no. D503

1 TIE-BACK PLATE CONNECTION
 SCALE: 1 = 5



2 TIE-BACK PLATE
 SCALE: 1 = 5



3 U-BOLT for TIE-BACK PLATE
 SCALE: 1 = 5

