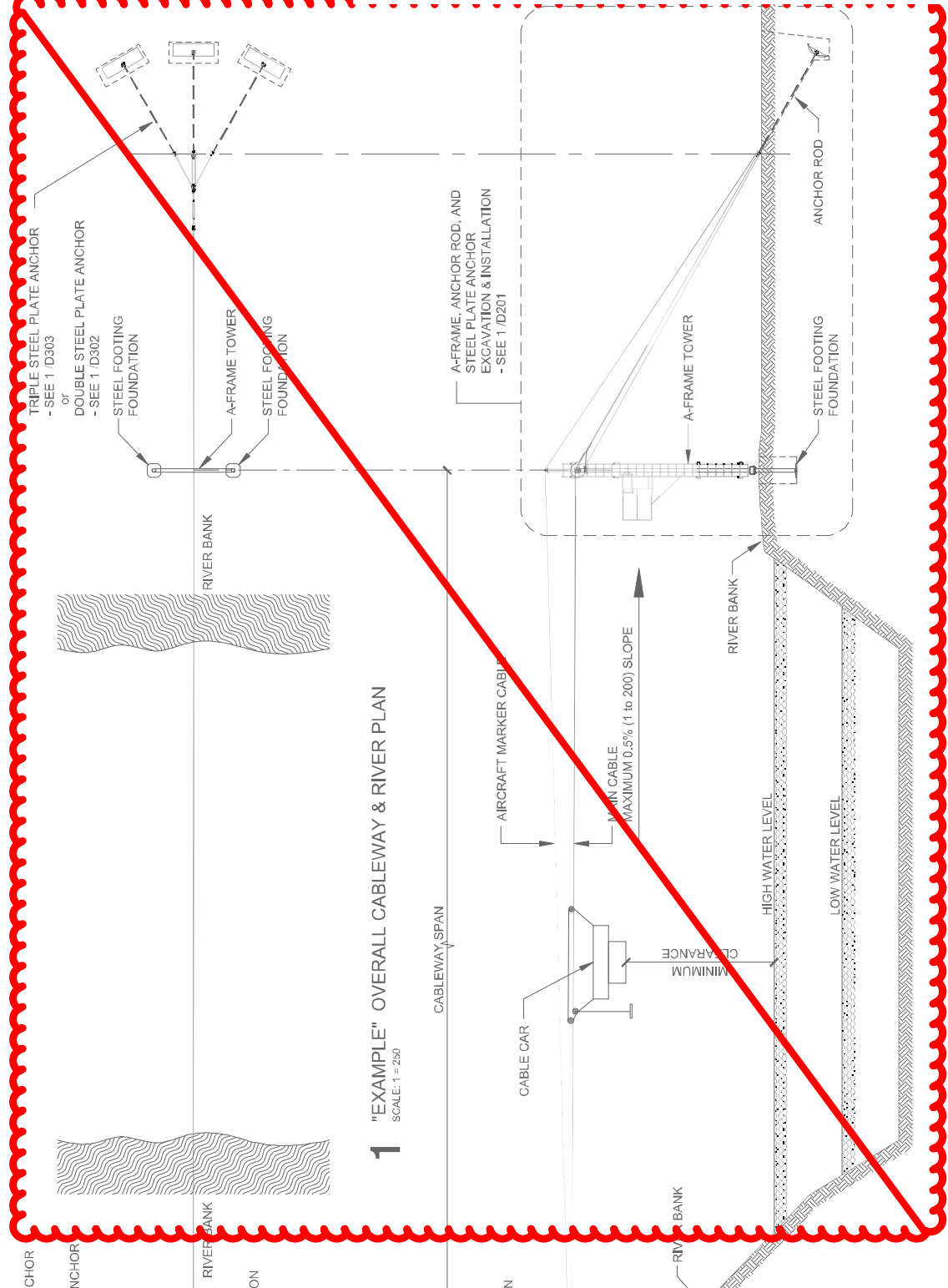
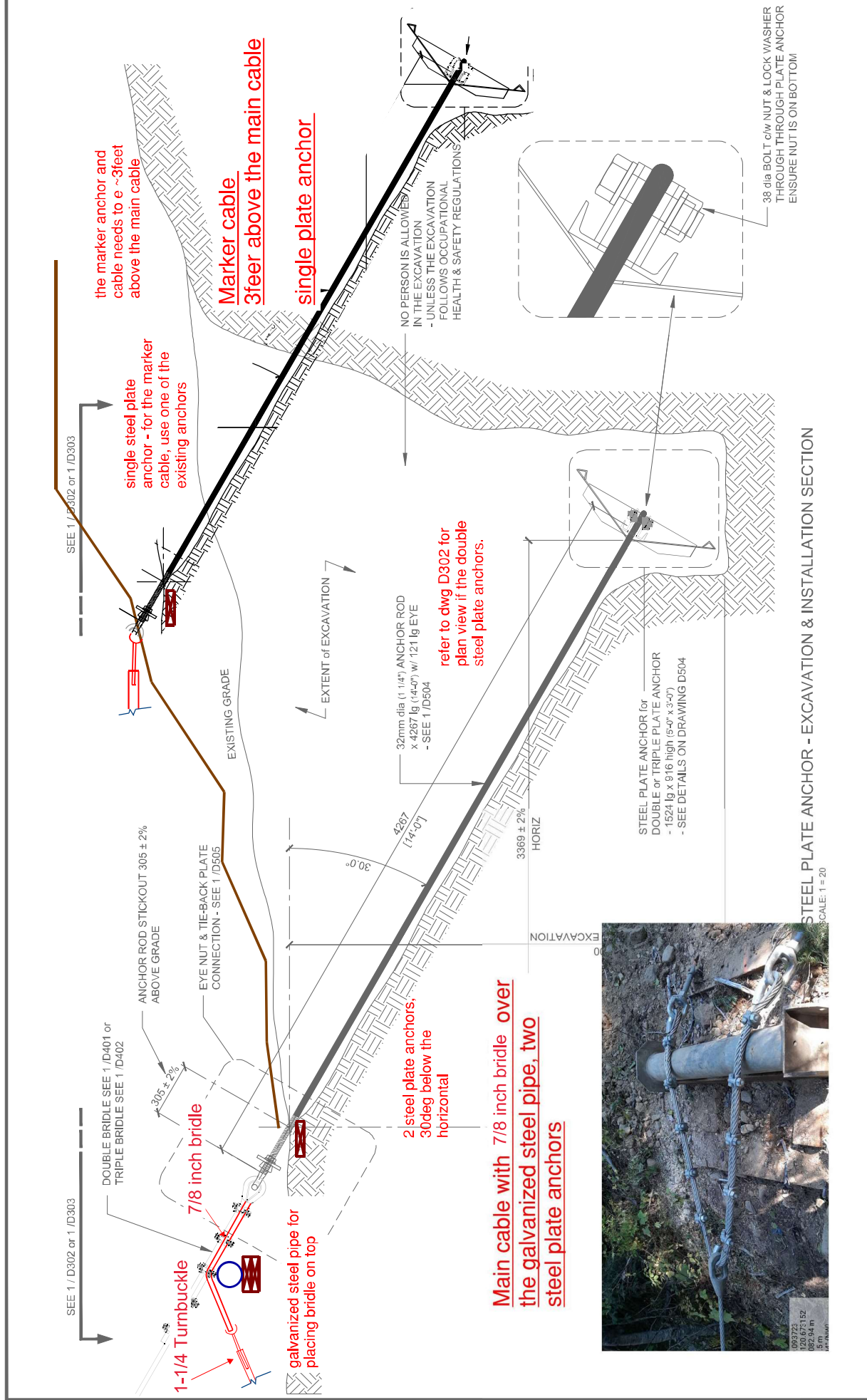

  
**Double plate anchor as per drawing D302**
  
 - SEE 1 / D303 or - SEE 1 / D302



 Environment and Climate Change Canada	Environment et Changement Climatique Canada	Meteorological Services of Canada / Services météorologiques du Canada	PROJECT TITLE: <b>River Cableway System</b> Various Locations	DRAWING TITLE: <b>Overall Cableway and River Plan and Elevation</b> Drawing no. <b>D101</b>
---	---	--	---	---

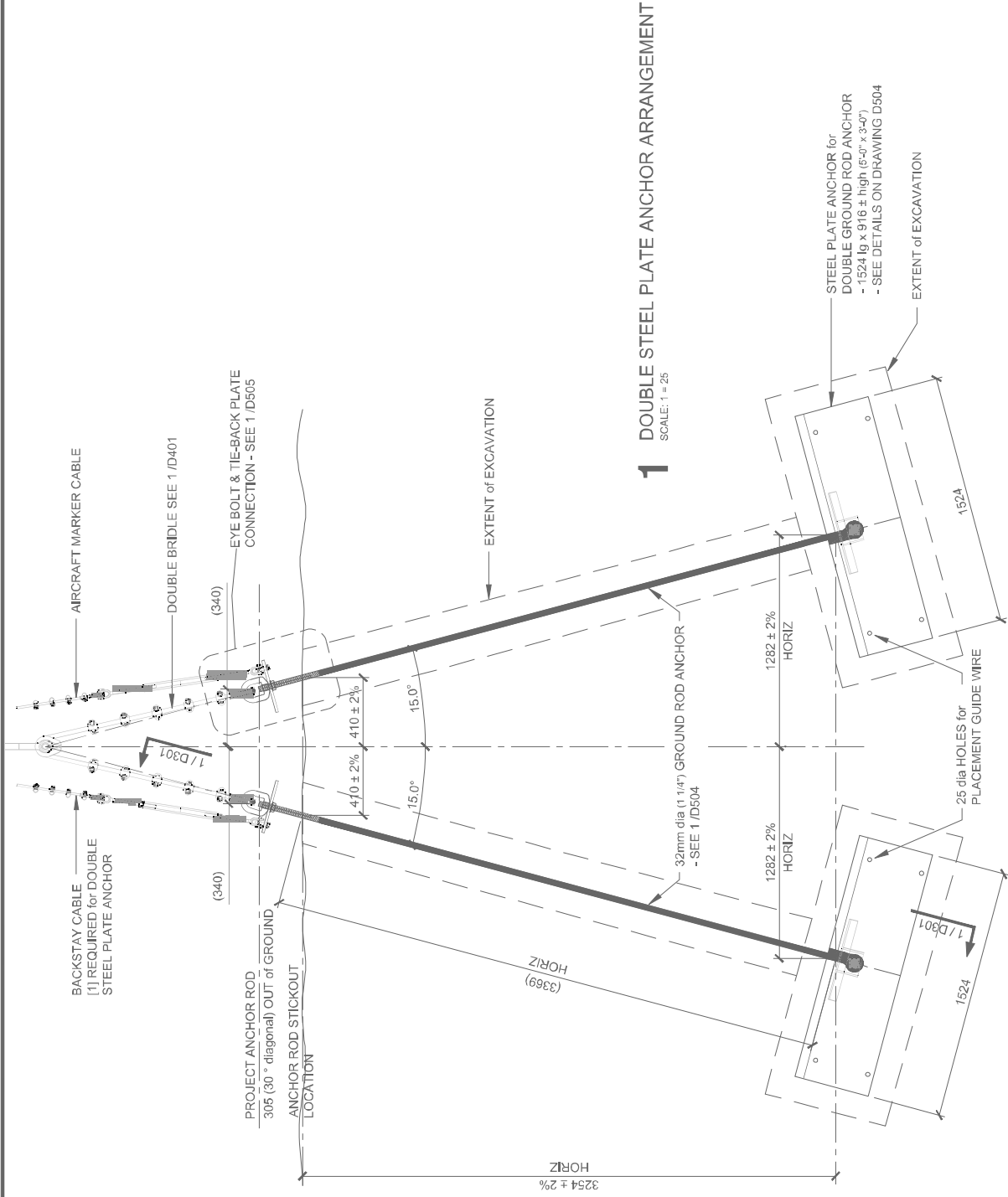


	Environment et Changement Climatique Canada	Meteorological Services of Canada / Services météorologiques du Canada	PROJECT TITLE: <b>River Cableway System</b> Various Locations	DRAWING TITLE: River Bank Steel Plate Anchor	Drawing no. <b>D301</b>
--	---	--	---	---	----------------------------





Latitude: 49.093723  
Longitude: -120.673152  
Elevation: 1082.94 m  
Accuracy: 3.5 m  
Azimuth: 294° (NW)  
Pitch: -33.4° (-1.6°)  
Time: 11-09-2020 15:19  
Note: similkameen river RB anchor



Drawing no. **D302**

DRAWING TITLE: **Double Steel Plate Anchor Arrangement**

PROJECT TITLE: **River Cableway System**  
Various Locations

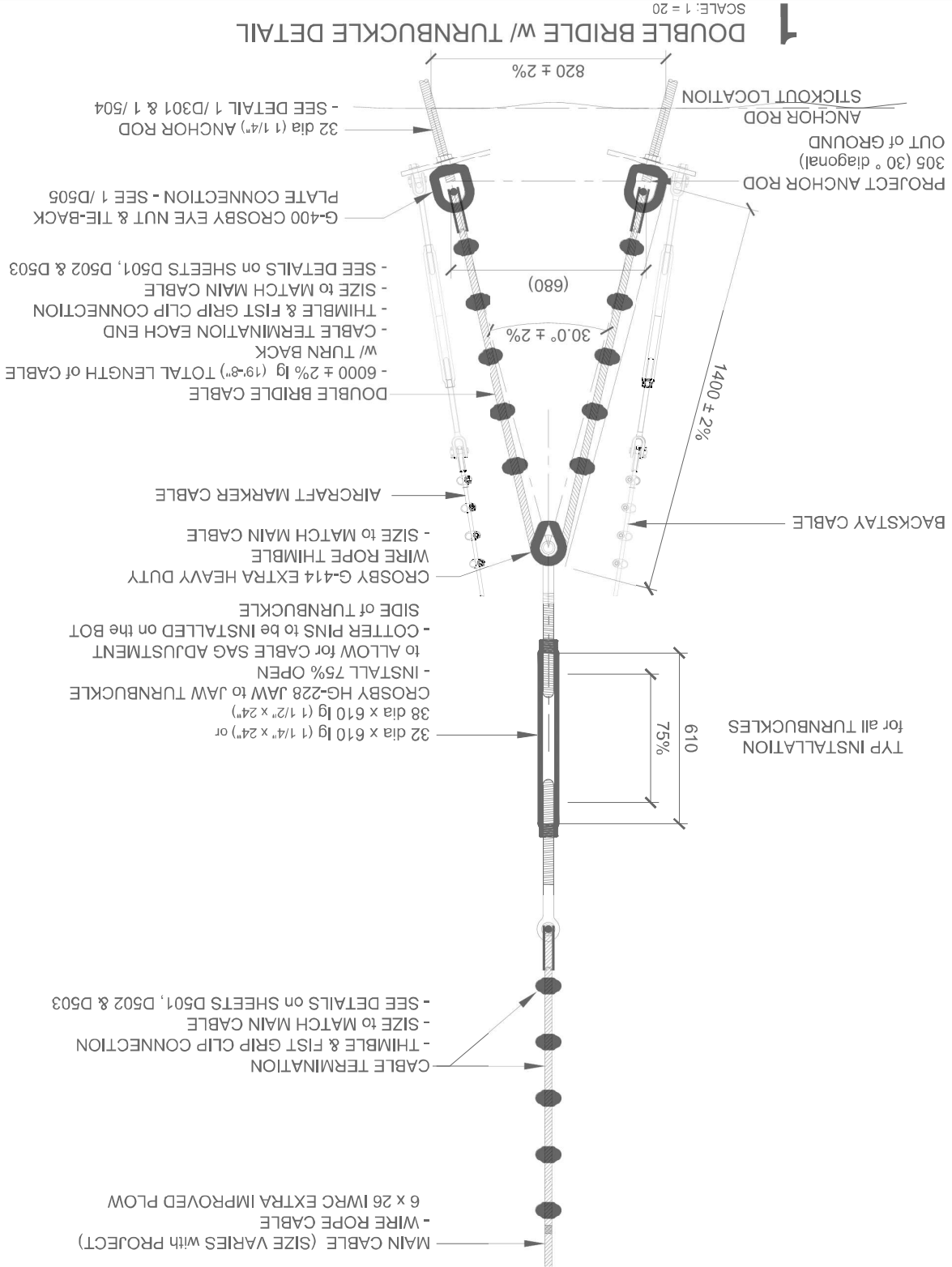
Services météorologiques  
du Canada

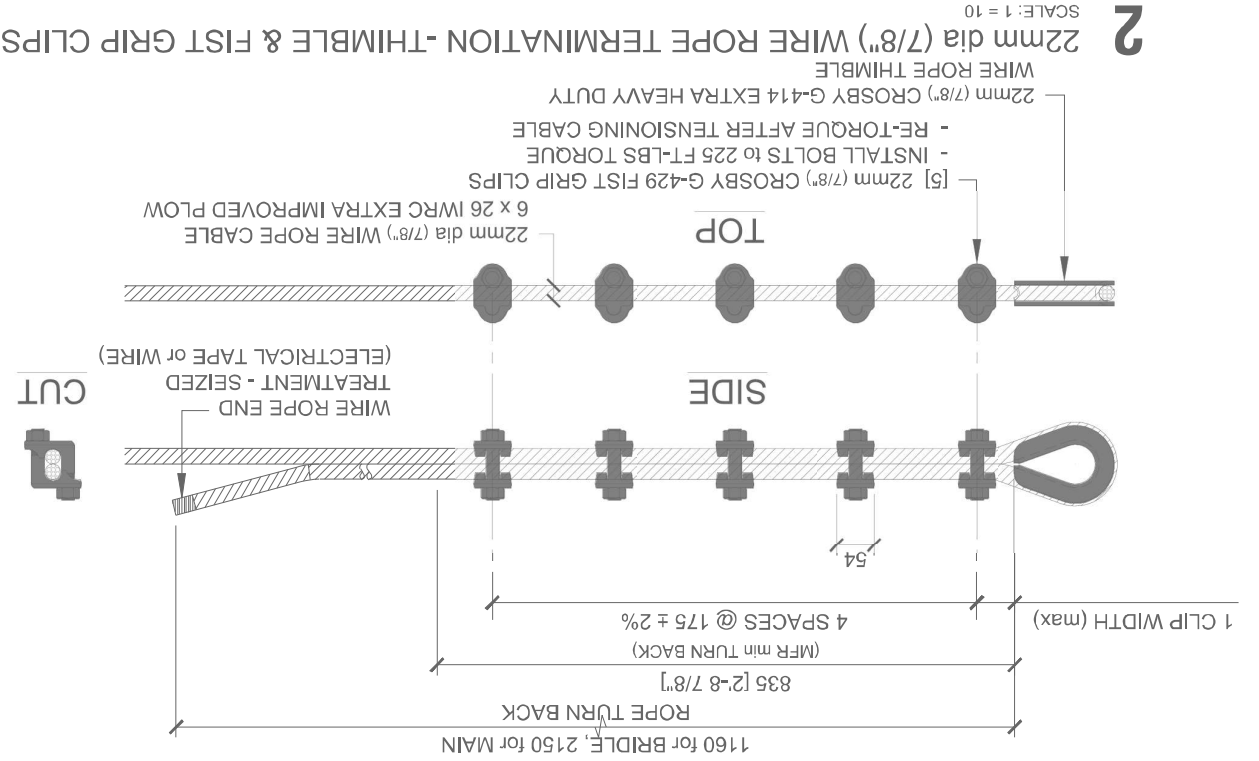
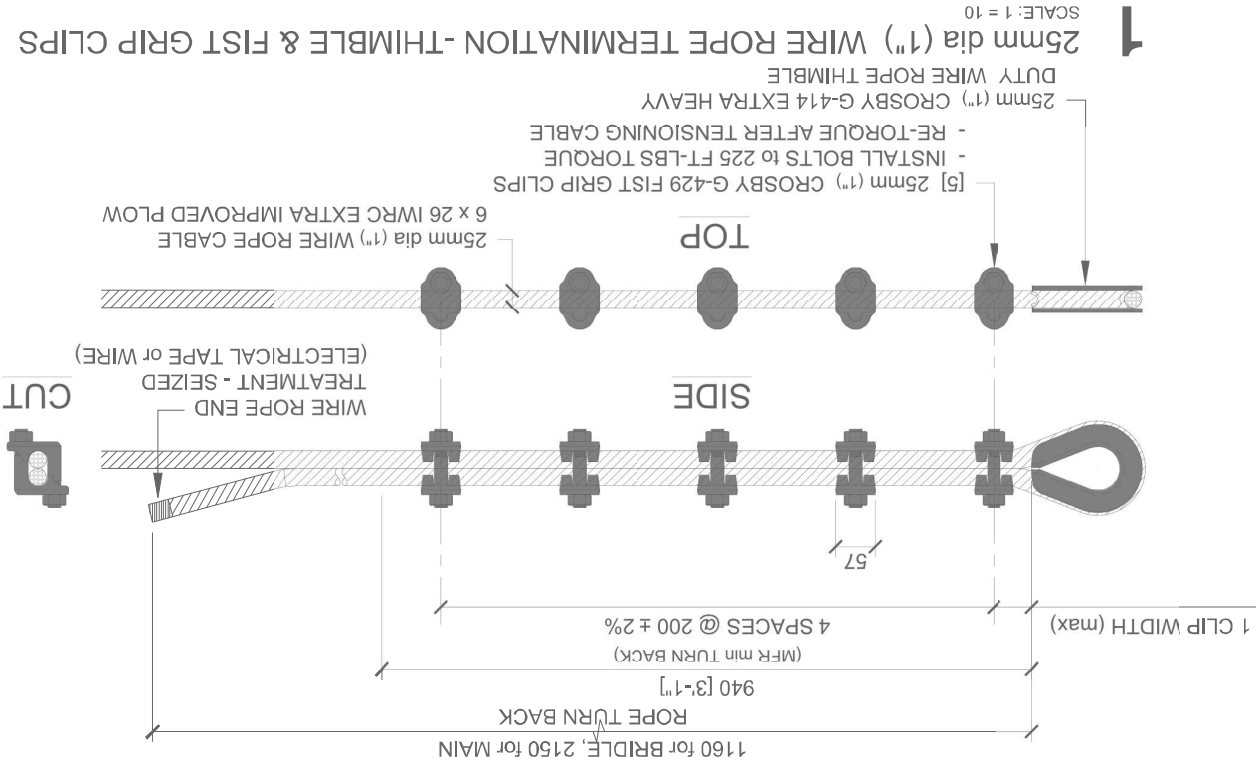
Meteorological  
Services of Canada

Environment et  
Changement Climatique Canada









PROJECT TITLE: River Cableway System

Various Locations

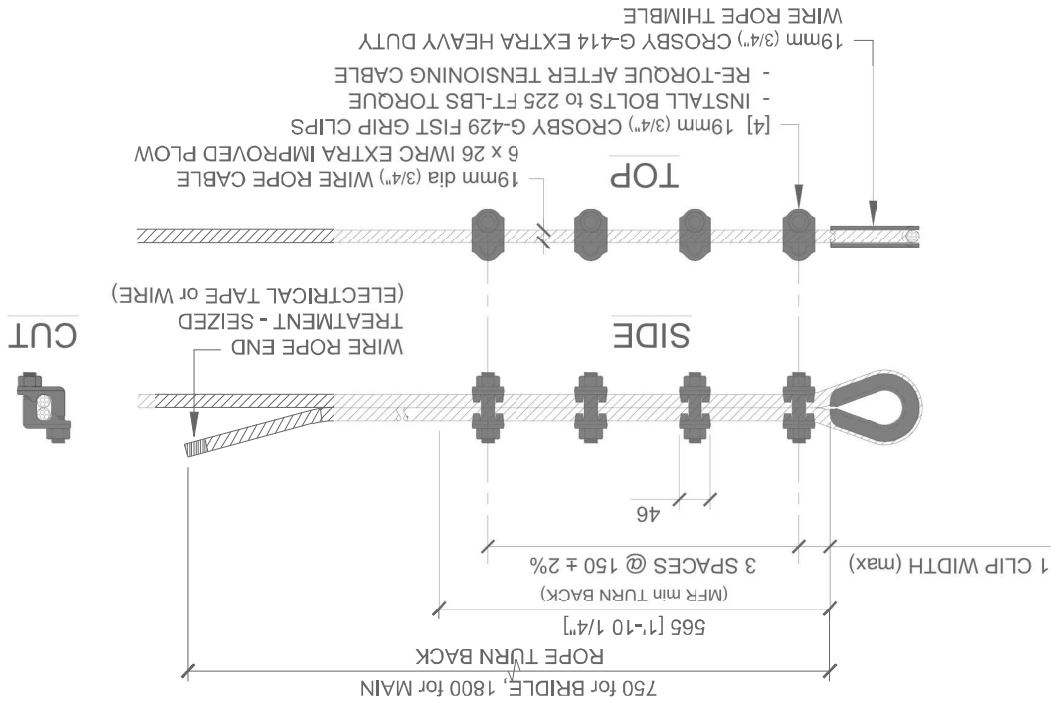
DRAWING TITLE: 25mm dia (1") & 22mm dia (7/8") Thimble Steel Wire Rope Termination

D501

Drawing no.

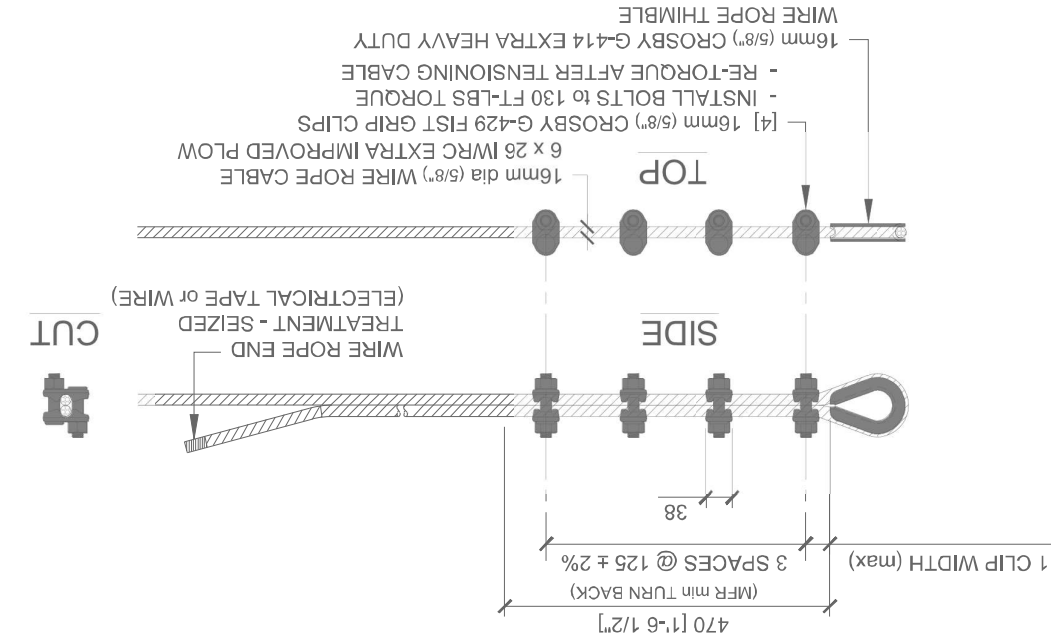
## 1 19mm dia (3/4") WIRE ROPE TERMINATION - THIMBLE & FIST GRIP CLIPS

SCALE: 1 = 10



## 2 16mm dia (5/8") WIRE ROPE TERMINATION - THIMBLE & FIST GRIP CLIPS

SCALE: 1 = 10



PROJECT TITLE: River Cableway System  
 Various Locations

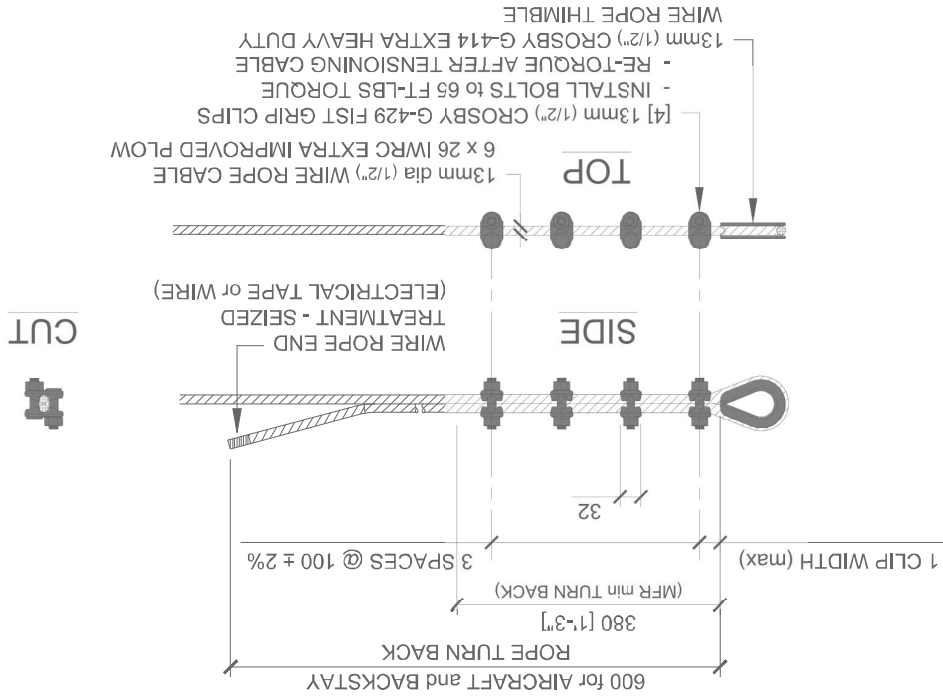
DRAWING TITLE: 19mm dia (3/4") & 16mm dia (5/8") Thimble Steel Wire Rope Termination

D502

Drawing no.

## 1 13mm dia (1/2") WIRE ROPE TERMINATION - THIMBLE & FIST GRIP CLIPS

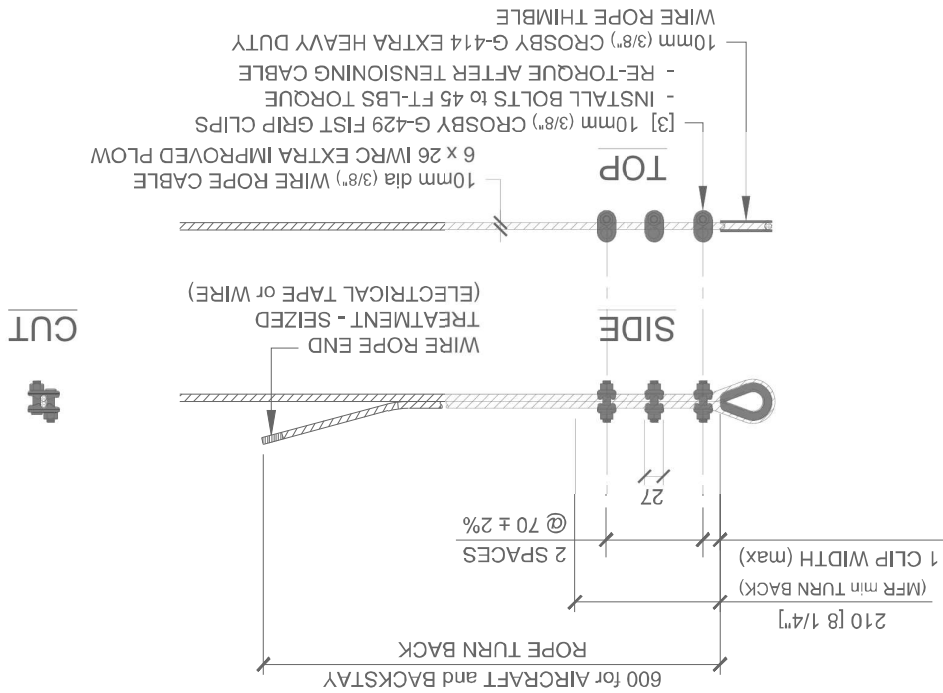
SCALE: 1 = 10



CUT

## 2 10mm dia (3/8") WIRE ROPE TERMINATION - THIMBLE & FIST GRIP CLIPS

SCALE: 1 = 10



CUT

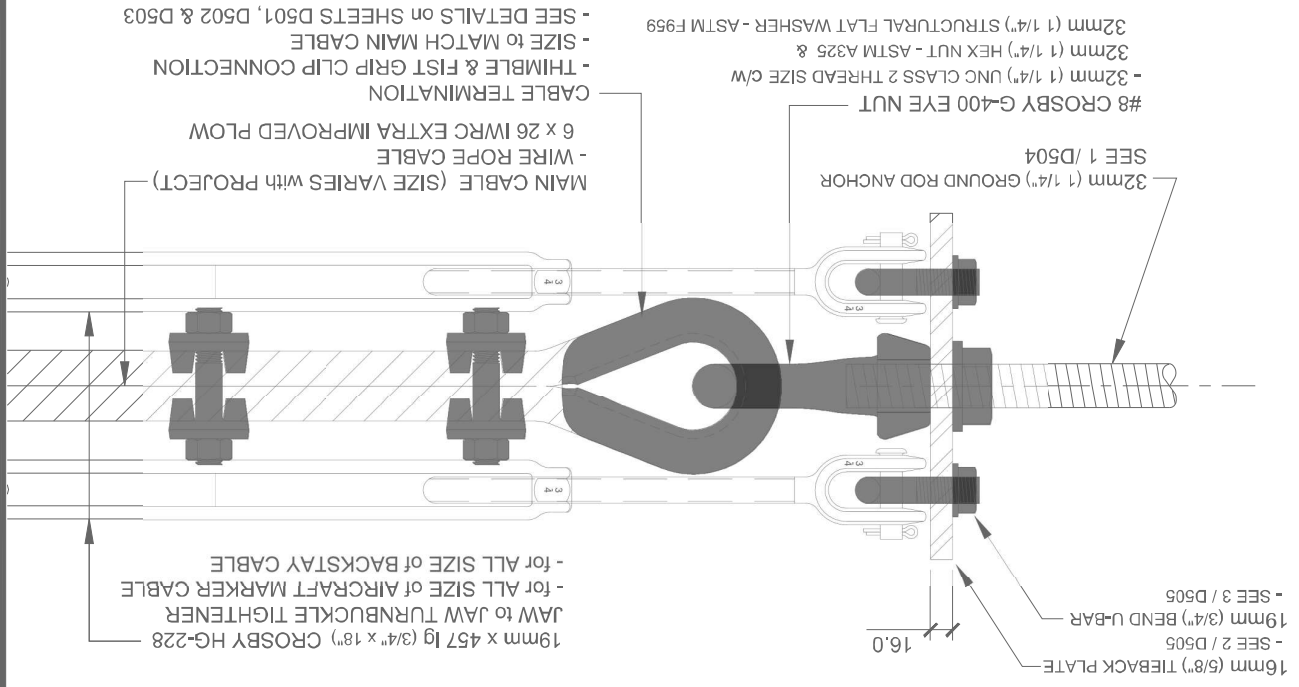
PROJECT TITLE: River Cableway System  
 Various Locations

DRAWING TITLE: 13mm dia (1/2") & 10mm dia (3/8") Thimble Steel Wire Rope Termination

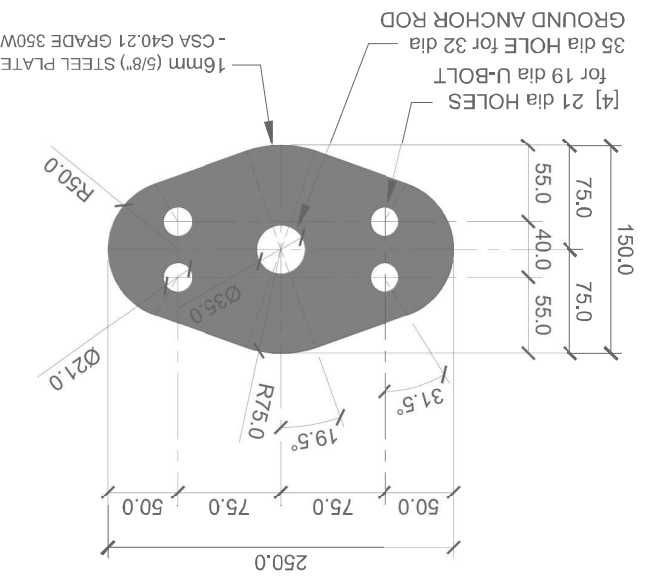
Drawing no. D503



1 TIE-BACK PLATE CONNECTION  
 SCALE: 1 = 5



2 TIE-BACK PLATE  
 SCALE: 1 = 5



3 U-BOLT for TIE-BACK PLATE  
 SCALE: 1 = 5

