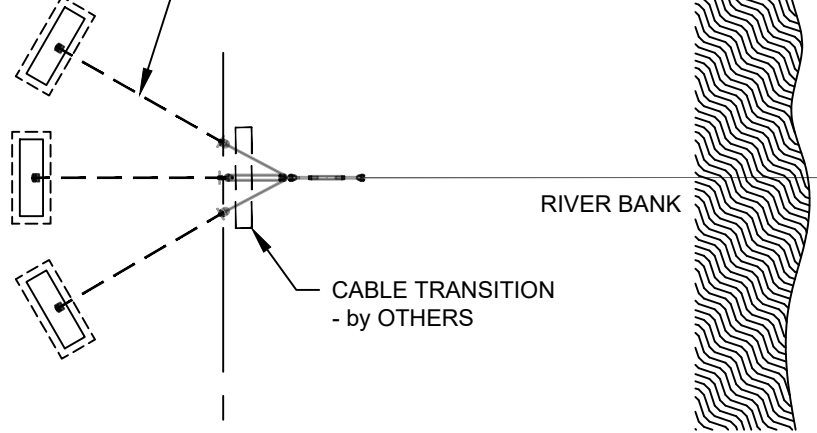
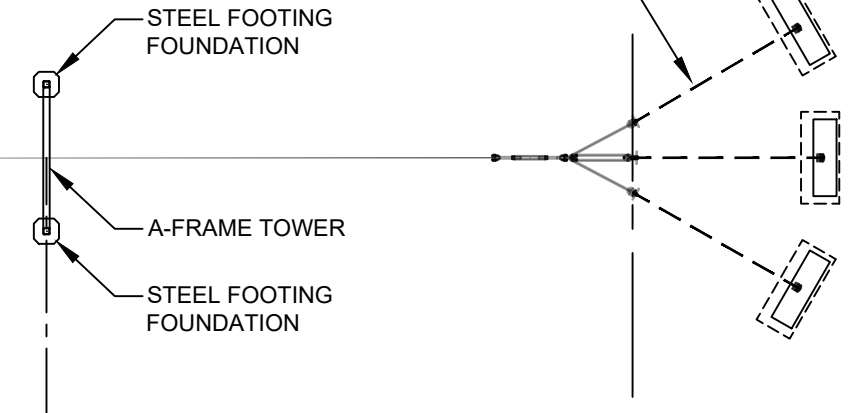


TRIPLE STEEL PLATE ANCHOR
- SEE 1 /D303
or
DOUBLE STEEL PLATE ANCHOR
- SEE 1 /D302



TRIPLE STEEL PLATE ANCHOR
- SEE 1 /D303
or
DOUBLE STEEL PLATE ANCHOR
- SEE 1 /D302



1 "EXAMPLE" OVERALL CABLEWAY & RIVER PLAN
SCALE: 1 = 250

CABLEWAY SPAN

STEEL PLATE ANCHOR

CABLE TRANSITION
- by OTHERS

CABLE CAR

AIRCRAFT MARKER CABLE

MAIN CABLE
MAXIMUM 0.5% (1 to 200) SLOPE

A-FRAME, ANCHOR ROD, AND
STEEL PLATE ANCHOR
EXCAVATION & INSTALLATION
- SEE 1 /D201

STEEL PLATE ANCHOR
EXCAVATION & INSTALLATION
- SEE 1 /D301

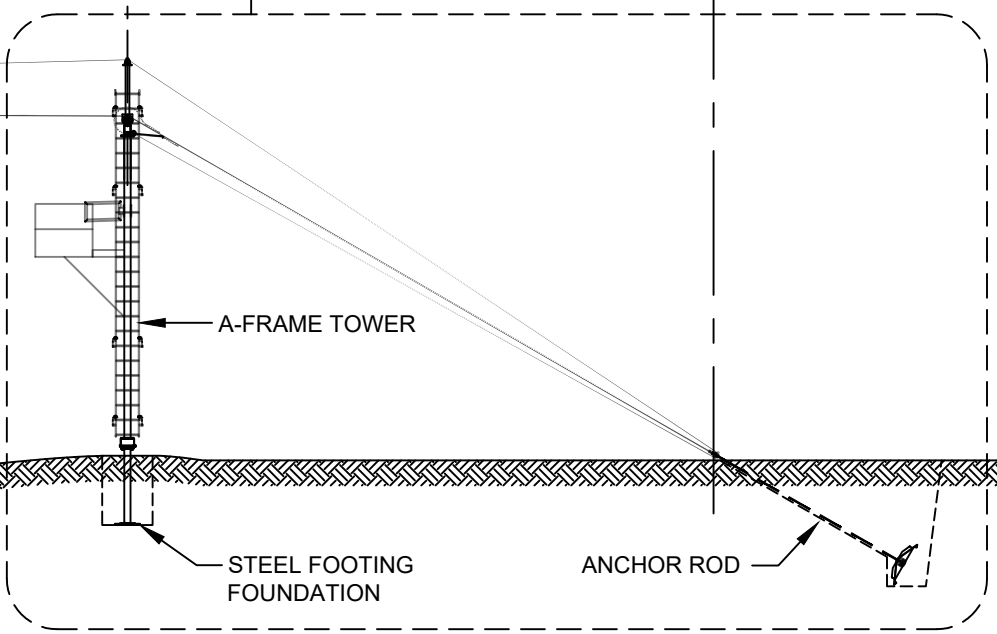
RIVER BANK

MINIMUM
CLEARANCE

HIGH WATER LEVEL

LOW WATER LEVEL

RIVER BANK



2 "EXAMPLE" OVERALL CABLEWAY & RIVER ELEVATION
SCALE: 1 = 150



Environment and
Climate Change Canada

Environnement et
Changement Climatique Canada

Meteorological
Services of Canada

Services météorologiques
du Canada

PROJECT TITLE:

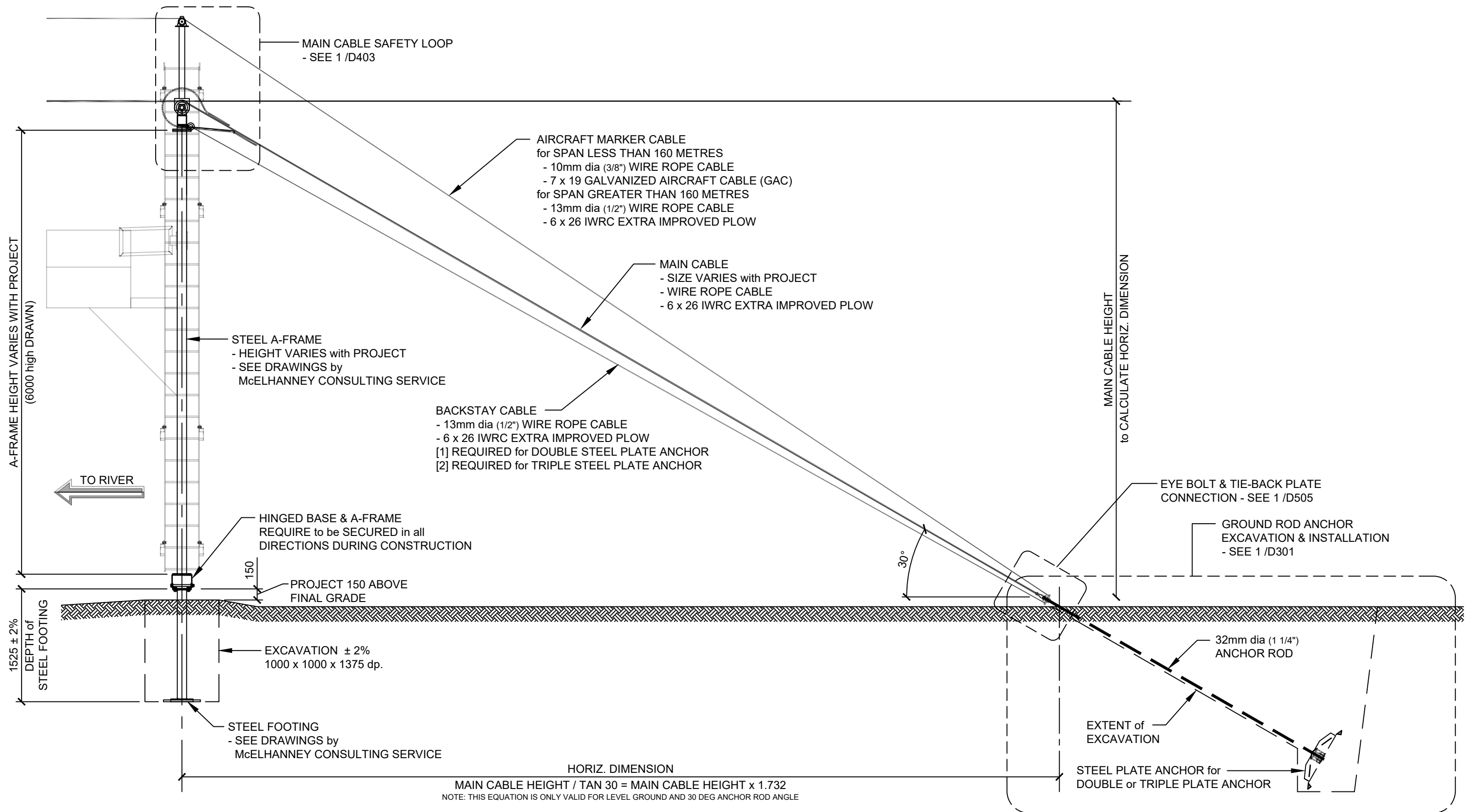
River Cableway System
Various Locations

DRAWING TITLE:

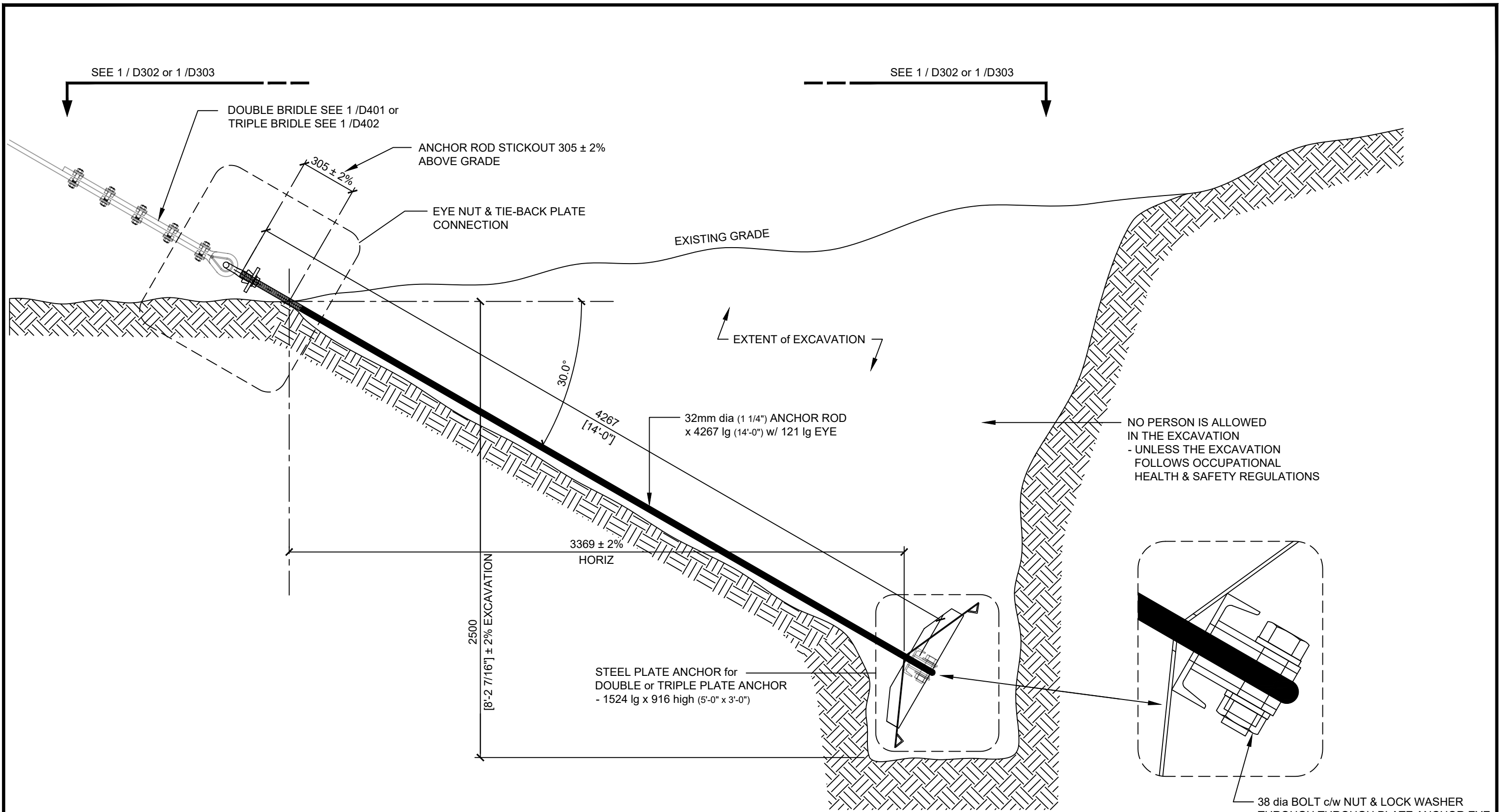
Overall Cableway and River
Plan and Elevation

Drawing no.

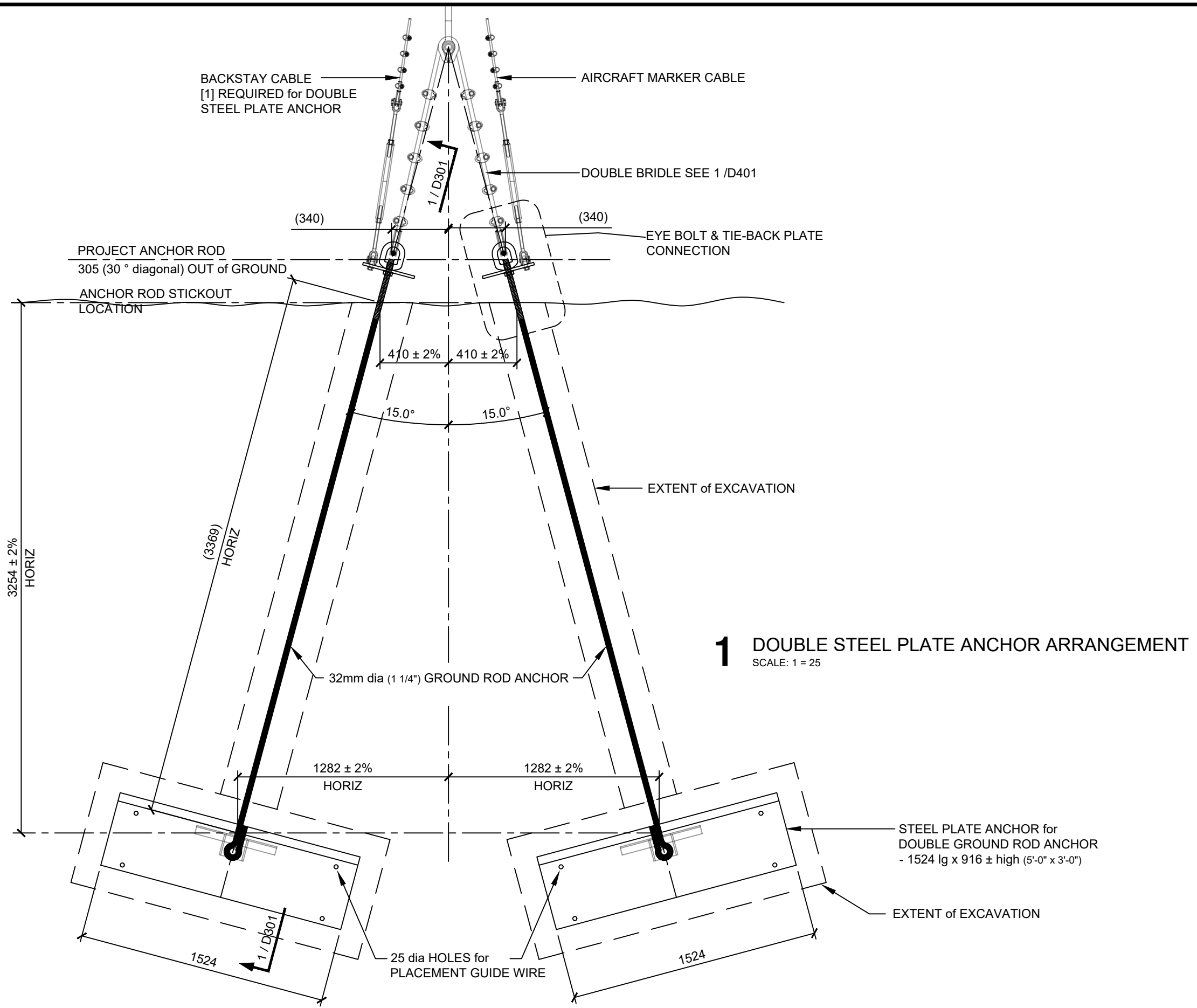
D101

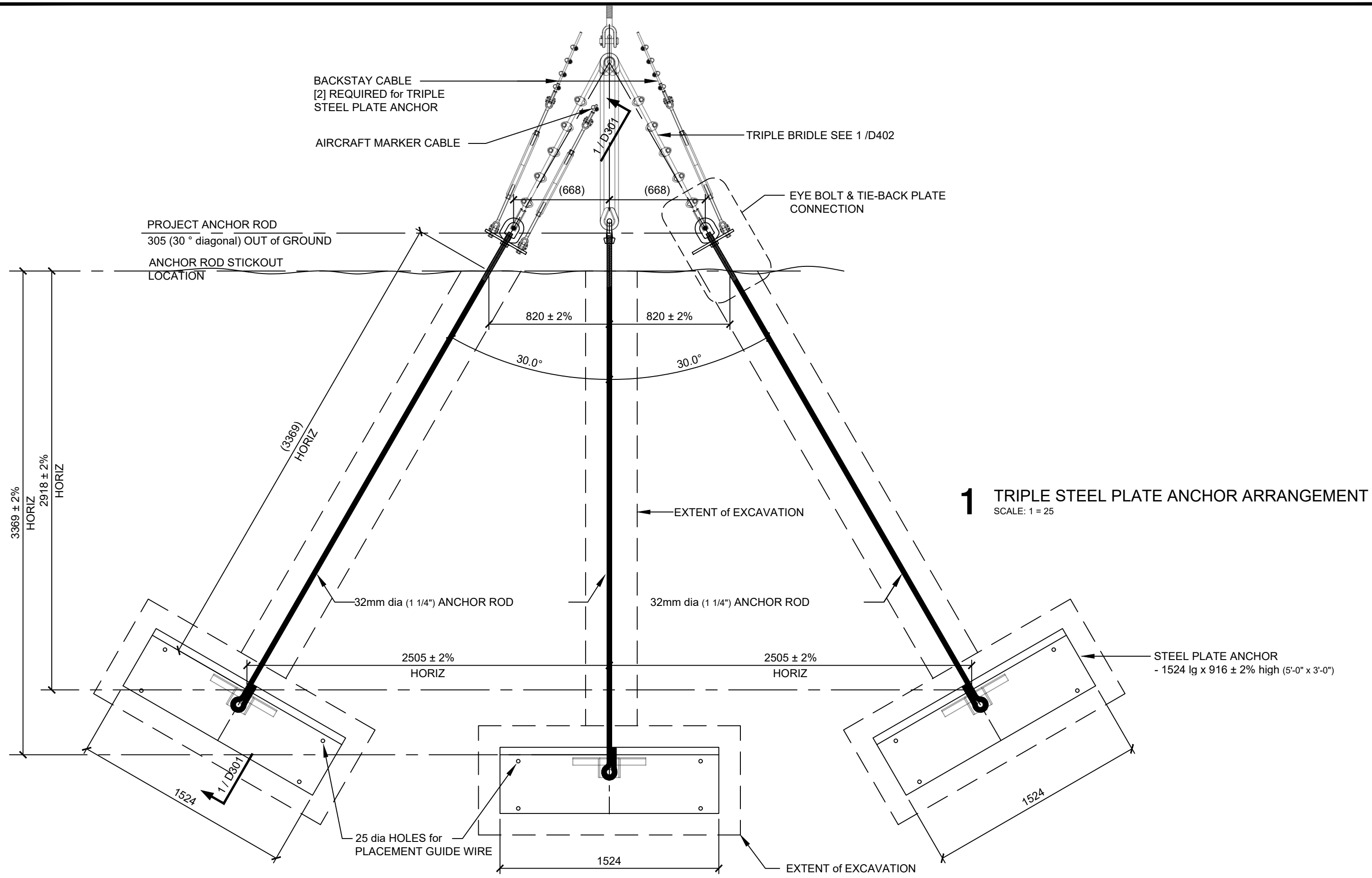


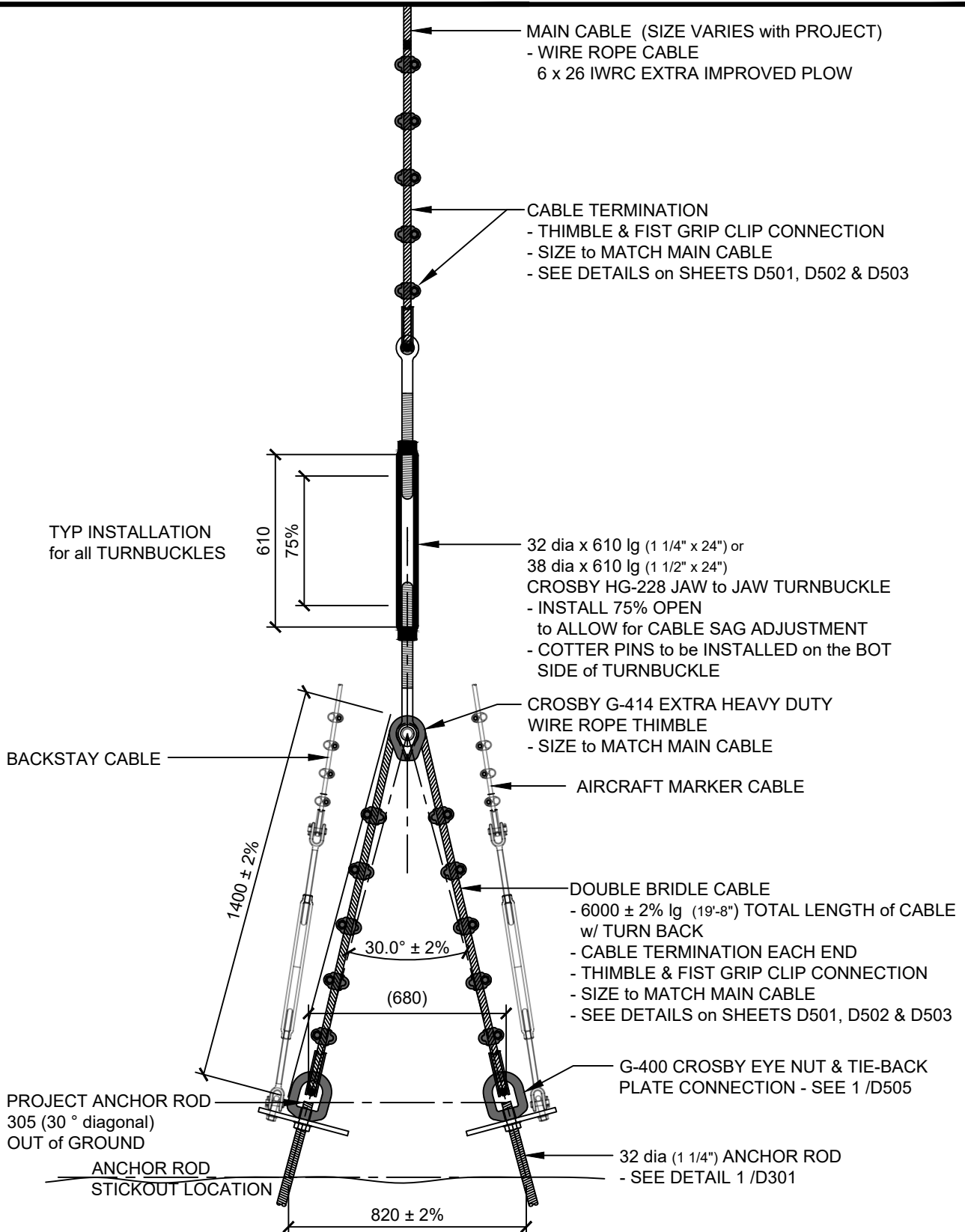
1 A-FRAME & GROUND ROD ANCHORAGE SECTION
SCALE: 1 = 50



1 STEEL PLATE ANCHOR - EXCAVATION & INSTALLATION SECTION
SCALE: 1 = 20







1 DOUBLE BRIDLE w/ TURNBUCKLE DETAIL

SCALE: 1 = 20

PROJECT TITLE:

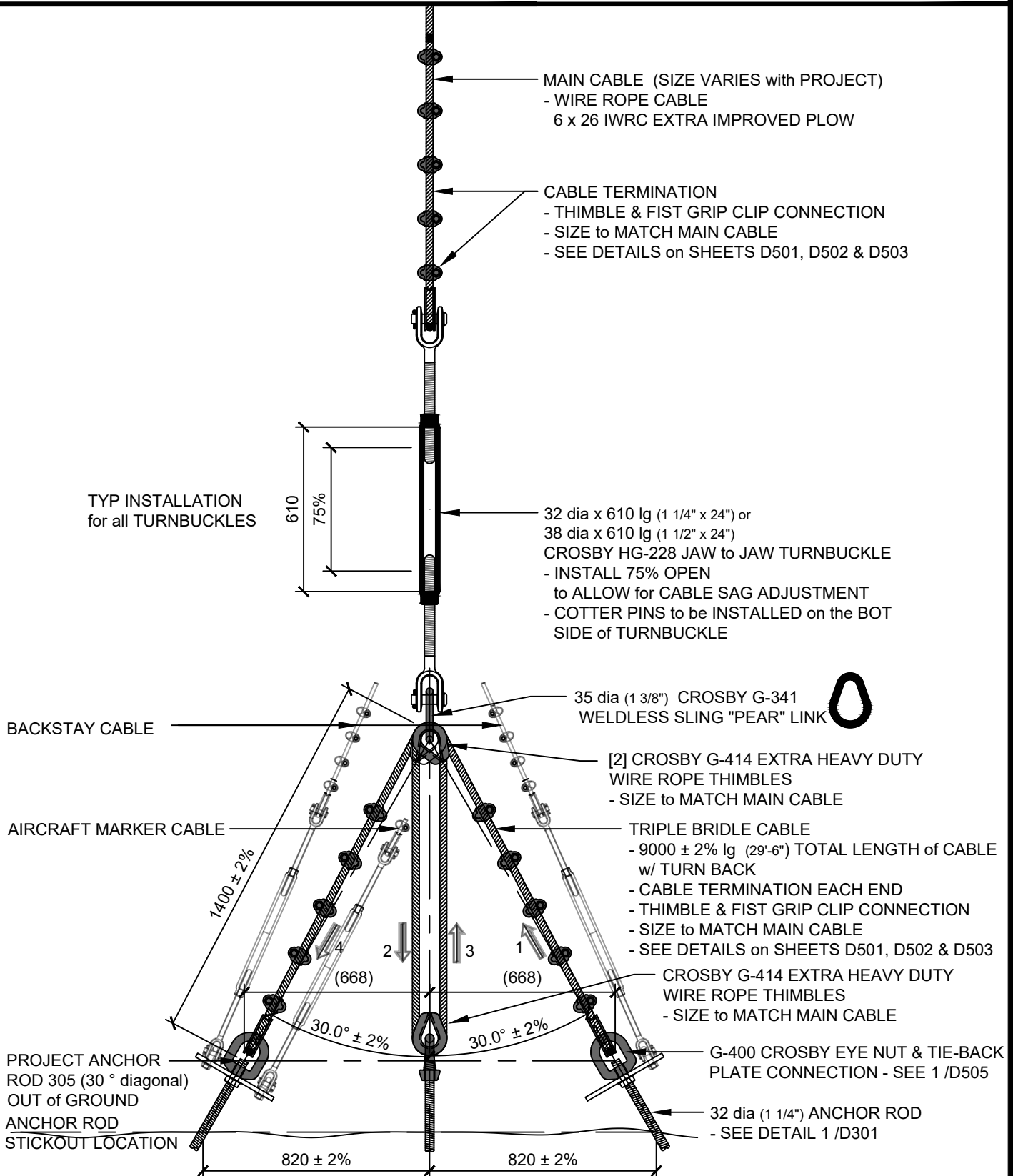
River Cableway System
Various Locations

DRAWING TITLE:

Double Bridle w/ Turnbuckle
Connection to Double Steel Plate Anchors

Drawing no.

D401



1 TRIPLE BRIDLE w/ TURNBUCKLE DETAIL
SCALE: 1 = 20

PROJECT TITLE:

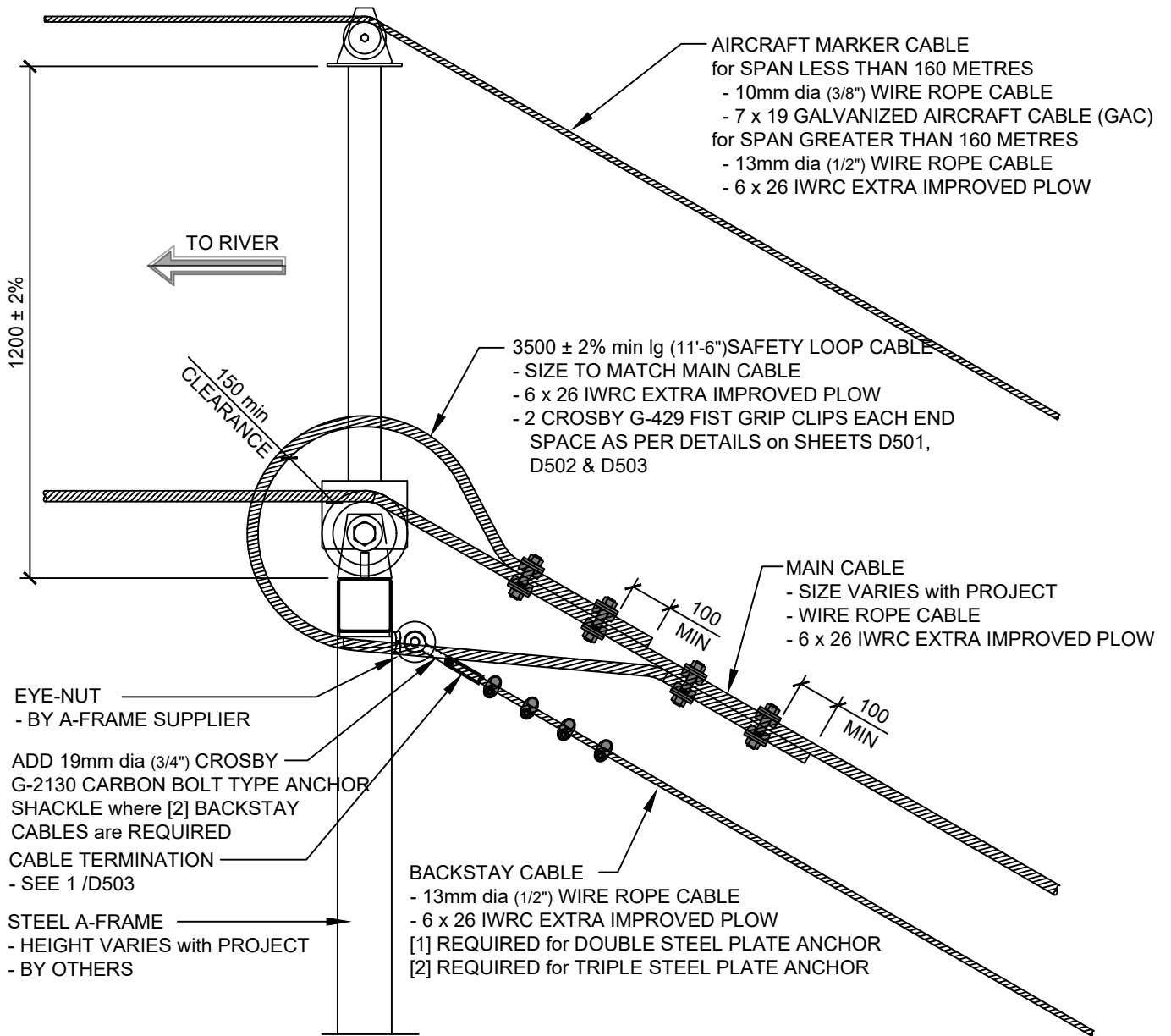
River Cableway System
Various Locations

DRAWING TITLE:

Triple Bridle w/ Turnbuckle
Connection to Triple Steel Plate Anchors

Drawing no.

D402



1 MAIN CABLE SAFETY LOOP DETAIL
SCALE: 1 = 10

PROJECT TITLE:

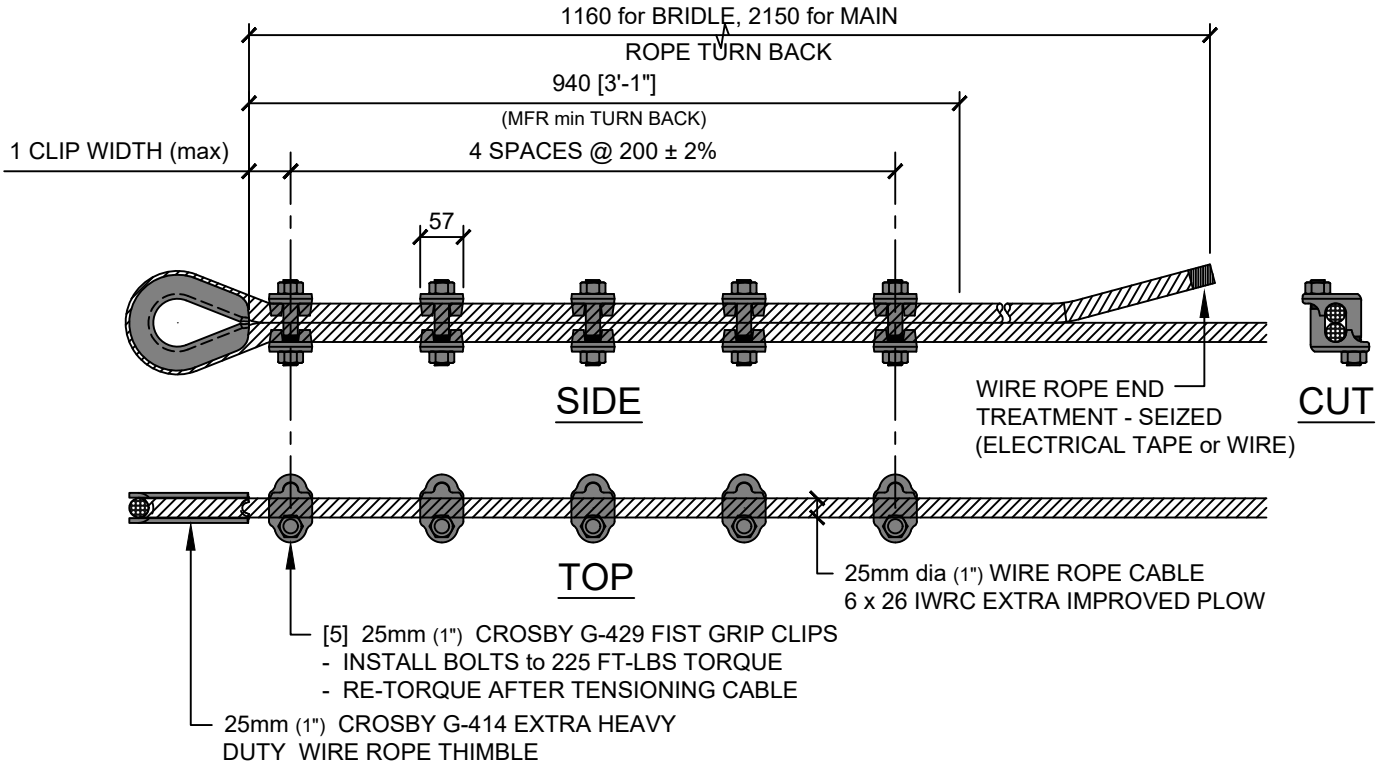
River Cableway Detail
Various Locations

DRAWING TITLE:

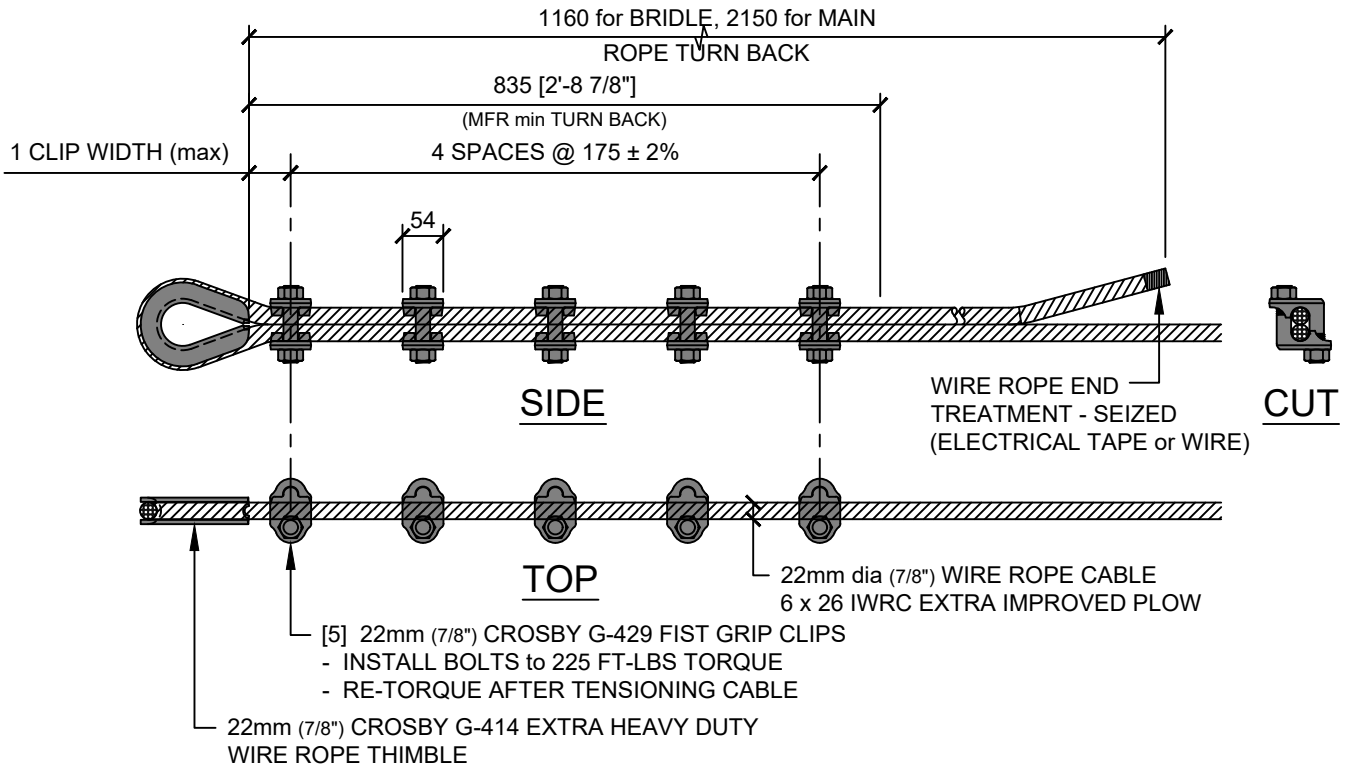
A-Frame
Main Cable Safety Loop Detail

Drawing no.

D403



1 25mm dia (1") WIRE ROPE TERMINATION - THIMBLE & FIST GRIP CLIPS
SCALE: 1 = 10



2 22mm dia (7/8") WIRE ROPE TERMINATION - THIMBLE & FIST GRIP CLIPS
SCALE: 1 = 10

PROJECT TITLE:

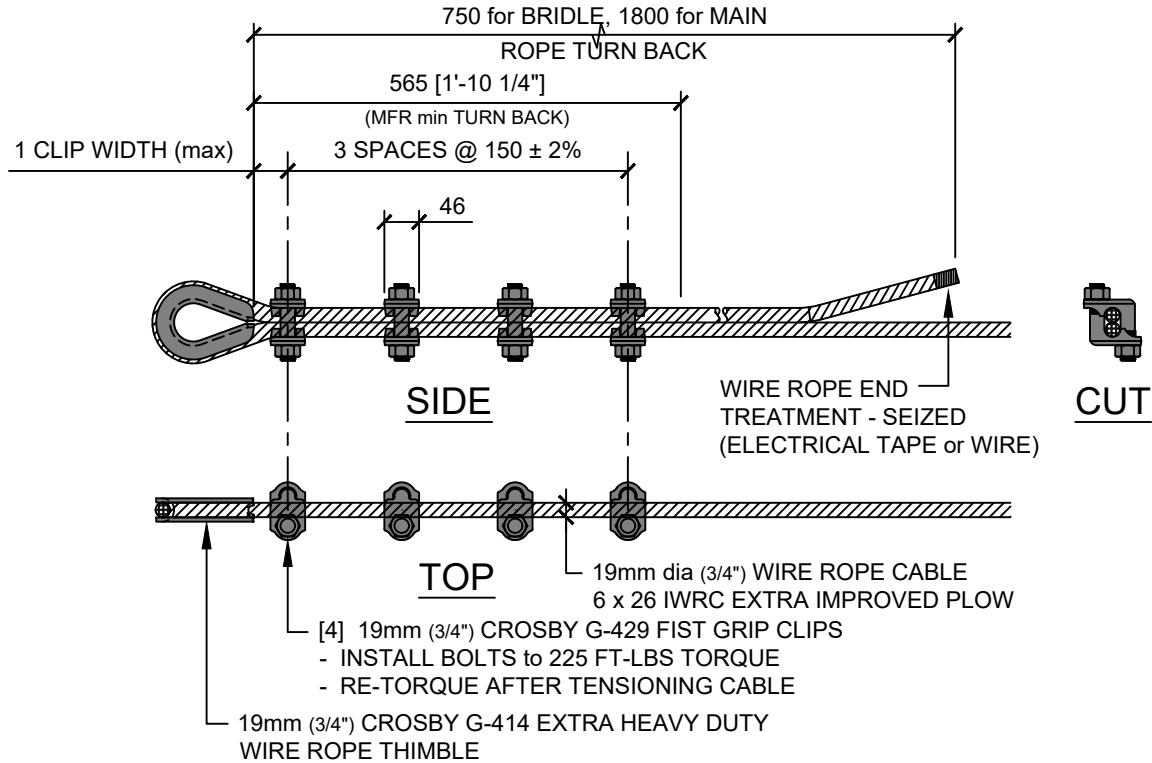
River Cableway System
Various Locations

DRAWING TITLE:

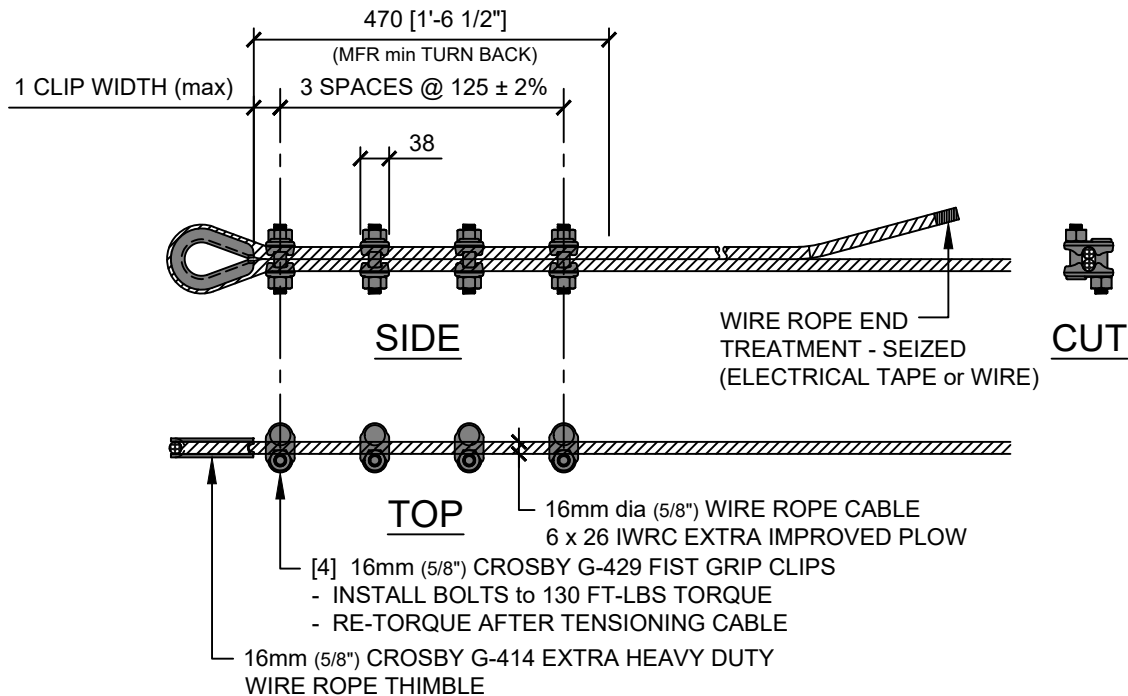
25mm dia (1") & 22mm dia (7/8")
Thimble Steel Wire Rope Termination

Drawing no.

D501



1 19mm dia (3/4") WIRE ROPE TERMINATION -THIMBLE & FIST GRIP CLIPS
SCALE: 1 = 10



2 16mm dia (5/8") WIRE ROPE TERMINATION -THIMBLE & FIST GRIP CLIPS
SCALE: 1 = 10

PROJECT TITLE:

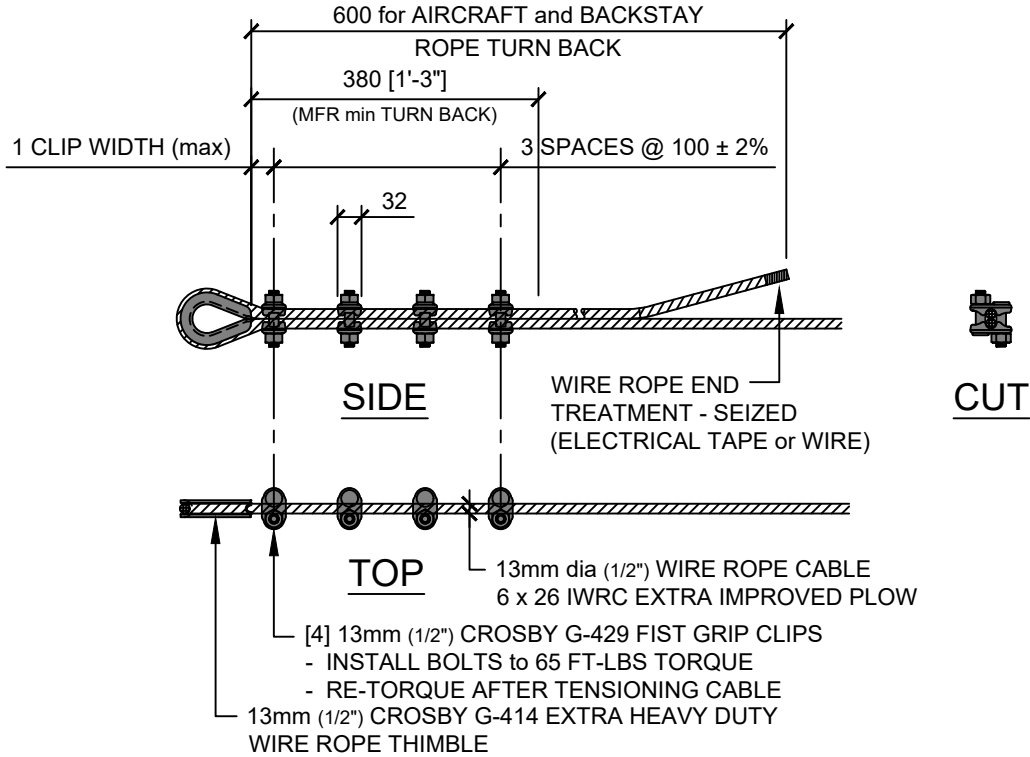
River Cableway System
Various Locations

DRAWING TITLE:

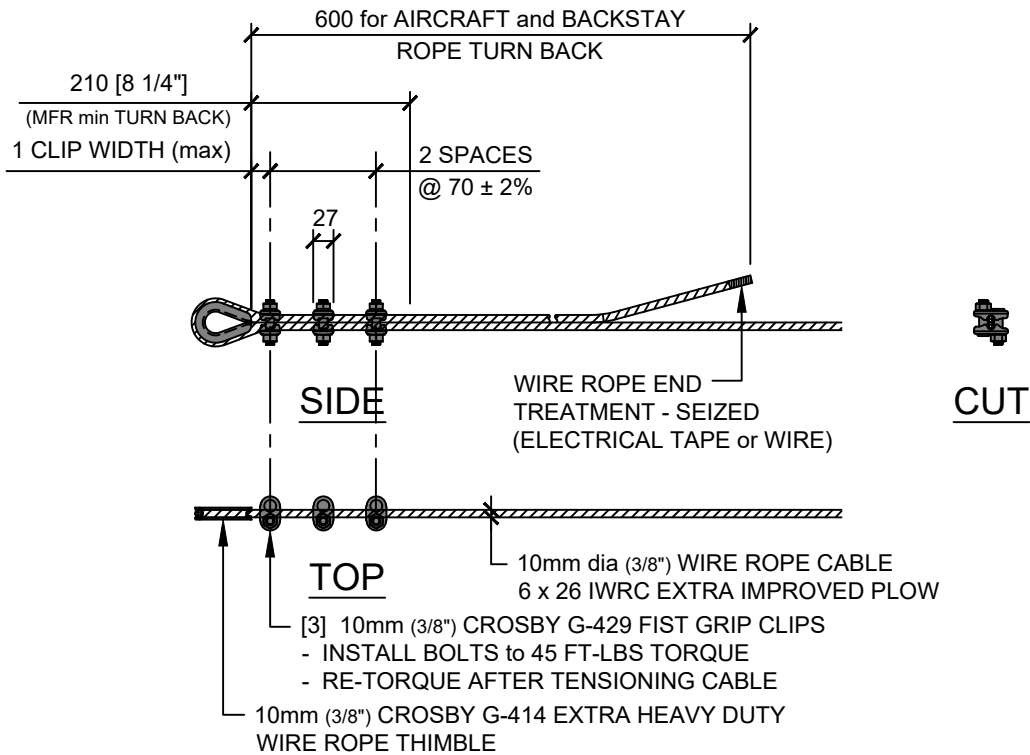
19mm dia (3/4") & 16mm dia (5/8")
Thimble Steel Wire Rope Termination

Drawing no.

D502



1 13mm dia (1/2") WIRE ROPE TERMINATION -THIMBLE & FIST GRIP CLIPS
SCALE: 1 = 10



2 10mm dia (3/8") WIRE ROPE TERMINATION -THIMBLE & FIST GRIP CLIPS
SCALE: 1 = 10

PROJECT TITLE:

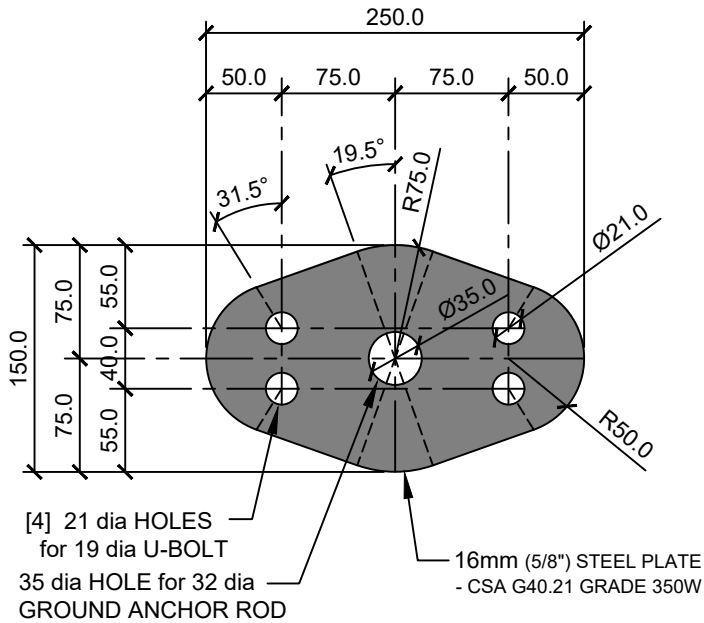
River Cableway System
Various Locations

DRAWING TITLE:

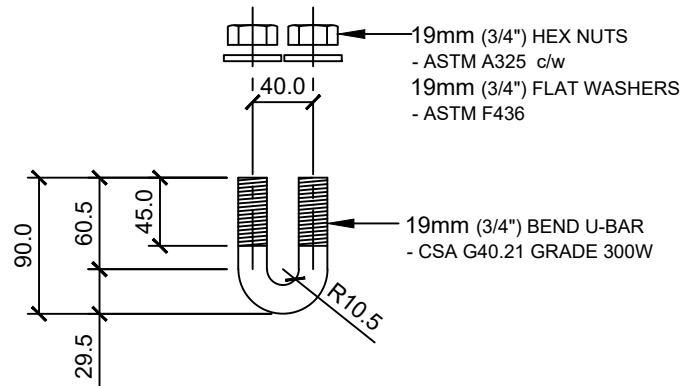
13mm dia (1/2") & 10mm dia (3/8")
Thimble Steel Wire Rope Termination

Drawing no.

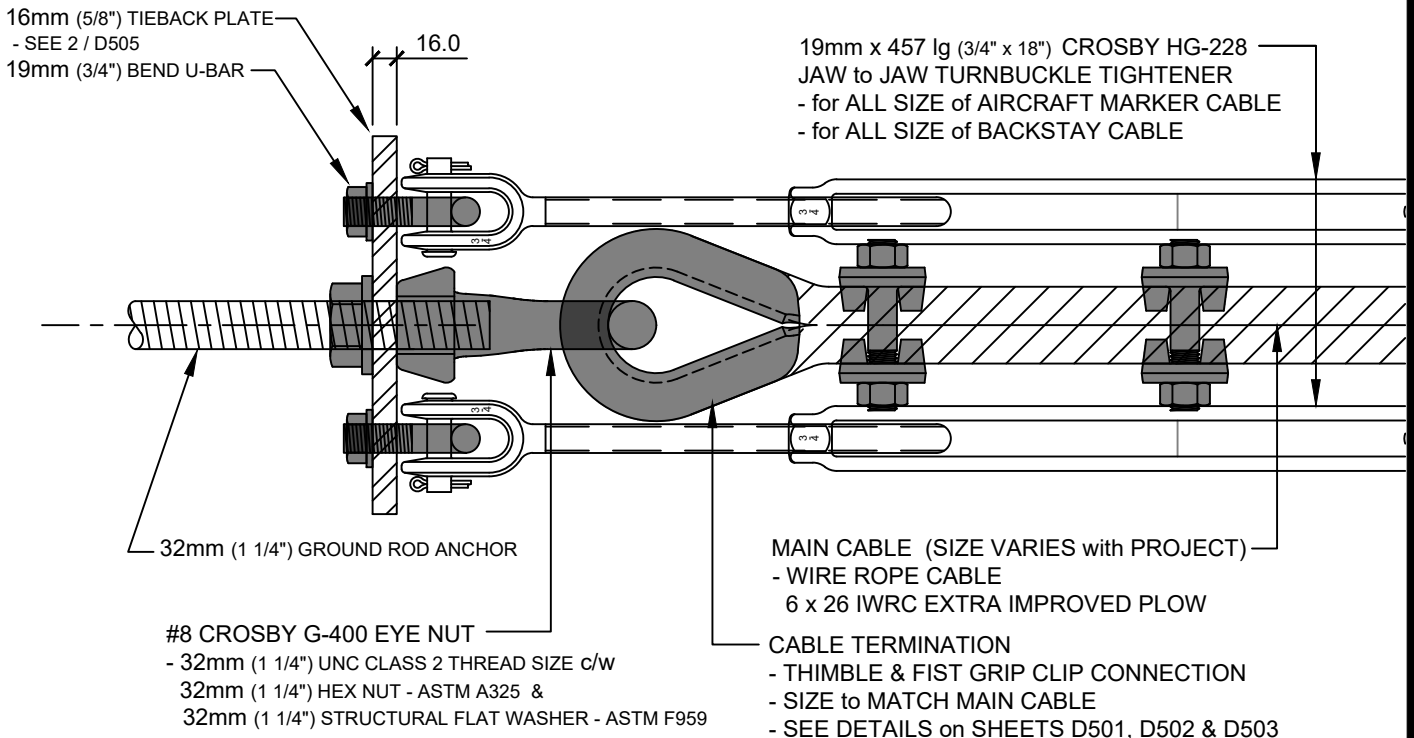
D503



2 TIE-BACK PLATE
SCALE: 1 = 5



3 U-BOLT for TIE-BACK PLATE
SCALE: 1 = 5



1 TIE-BACK PLATE CONNECTION
SCALE: 1 = 5

PROJECT TITLE:

River Cableway System
Various Locations

DRAWING TITLE:

Ground Rod
Tie-Back Plate Connection

Drawing no.

D505