



RETURN BIDS TO:
RETOURNER LES SOUMISSIONS À:
Bid Receiving Public Works and Government
Services Canada/Réception des soumissions Travaux
publics et Services gouvernementaux Canada

SOLICITATION AMENDMENT
MODIFICATION DE L'INVITATION

The referenced document is hereby revised; unless otherwise indicated, all other terms and conditions of the Solicitation remain the same.

Ce document est par la présente révisé; sauf indication contraire, les modalités de l'invitation demeurent les mêmes.

Comments - Commentaires

Vendor/Firm Name and Address
Raison sociale et adresse du
fournisseur/de l'entrepreneur

Issuing Office - Bureau de distribution
Public Works and Government Services Canada - Pacific
Region
800 Burrard Street, Room 219
800, rue Burrard, pièce 219
Vancouver
British C
V6Z 0B9

| | |
|---|--|
| Title - Sujet Mechanical System Upgrade for North Modernisation du système mécanique des ailes nord et sud | |
| Solicitation No. - N° de l'invitation EZ899-222066/A | Amendment No. - N° modif. 002 |
| Client Reference No. - N° de référence du client | Date 2022-04-19 |
| GETS Reference No. - N° de référence de SEAG PW-SPWY-031-9116 | |
| File No. - N° de dossier PWY-1-44210 (031) | CCC No./N° CCC - FMS No./N° VME |
| Solicitation Closes - L'invitation prend fin at - à 02:00 PM Pacific Daylight Saving Time PDT on - le 2022-04-28 Heure Avancée du Pacifique HAP | |
| F.O.B. - F.A.B. Plant-Usine: <input type="checkbox"/> Destination: <input checked="" type="checkbox"/> Other-Autre: <input type="checkbox"/> | |
| Address Enquiries to: - Adresser toutes questions à: Leung, Janie | Buyer Id - Id de l'acheteur pwy031 |
| Telephone No. - N° de téléphone (778) 919-3273 () | FAX No. - N° de FAX () - |
| Destination - of Goods, Services, and Construction: Destination - des biens, services et construction: CSC - Kent Institution - Agassiz, BC | |

Instructions: See Herein

Instructions: Voir aux présentes

| | |
|--|--|
| Delivery Required - Livraison exigée | Delivery Offered - Livraison proposée |
| Vendor/Firm Name and Address Raison sociale et adresse du fournisseur/de l'entrepreneur | |
| Telephone No. - N° de téléphone Facsimile No. - N° de télécopieur | |
| Name and title of person authorized to sign on behalf of Vendor/Firm (type or print) Nom et titre de la personne autorisée à signer au nom du fournisseur/ de l'entrepreneur (taper ou écrire en caractères d'imprimerie) | |
| Signature | Date |

Solicitation No. - N° de l'invitation
EZ899-222066/A

Amd. No. - N° de la modif.
002

Buyer ID - Id de l'acheteur
PWY031

Client Ref. No. - N° de réf. du client
R.077722.001

File No. - N° du dossier
PWY-1-44210

CCC No./N° CCC - FMS No./N° VME

Les documents français seront disponibles sur demande

This Amendment 002 is raised to issue Addendum 001.

All other terms and conditions remain unchanged.

The following changes in the tender documents are effective immediately. This addendum will form part of the construction documents.

1.0 SPECIFICATION:

.1 N/A

2.0 DRAWINGS:

.1 N/A

3.0 RESPONSE FOR RFI:

- .1 Q.: Request for approval of the following products:
- a. Modular aluminum ships ladder
 - i. The system comes in modular components and is assembled on site
 - ii. It can be designed to be non-penetrating/ballasted, reducing cost of install and eliminating any structural tie-ins
 - iii. It is aluminum – will not rust over time, and is more light-weight so is more cost effective to install
 - iv. We provide site specific shop drawings 1 week from an order being placed
 - v. We have material in stock, and fabricate in max 4 weeks from signed approved drawings
 - b. 5001 series modular Roof Barrier guardrail
 - i. The system is ballasted/non-penetrating
 - ii. It is pre-engineered and pre-manufactured, equalling a faster lead time and simpler installation
 - iii. It comes with the posts pre-assembled equalling 50% time savings on install
 - iv. We provide site specific shop drawings 2-3 days from an order being placed
 - v. We have it in stock and would ship 2-3 days from signed approved drawings
 - c. sample drawings of both systems are attached.

Response: Above proposed systems appear to be:

- a. architecturally acceptable provided that complete information including but not limited to size of handrail, guardrail diameter, base plate size, attachment to the roof, etc. in a proper shop drawing are provided; and
- b. structurally acceptable, as long as it will be designed and shop drawings sealed by a structural engineer (P.Eng.) registered in BC.

.2 Q.: Request for equal- Fulton EDR+ 4000_0 vs Basis of Design Boiler

Response: The Basis of Design boiler has two fully modulating pre-mix cylinder modules with dedicated burner. The alternative model has only one burner. Basis

of Design two-boiler system provides 4:1 turn down redundancy whereas the alternative boiler system will have 2:1 turn down redundancy. The alternative boiler does not meet the required performance

- .3 Q.: Request for equal- Cleaver Brooks model CFC-E vs Basis of Design Boiler

Response: The Basis of Design boiler has two fully modulating pre-mix cylinder modules with dedicated burner. The alternative model has only one burner and a lower efficiency. Basis of Design two-boiler system provides 4:1 turn down redundancy whereas the alternative boiler system will have 2:1 turn down redundancy. The alternative boiler does not meet the required performance.

- .4 Q: There are several notes on the drawings to relocate or add sprinkler heads as required. This is impossible to quantify with the information available creating a lot of guess work for this scope. For the purposes of a competitive bid, can a base quantity of head relocations be prescribed in the tender with additions or subtraction be addressed by change order or a cash allowance be put into the tender for this scope?

Response: Consider a total of 45 heads for relocation, and 15 new heads to be added.

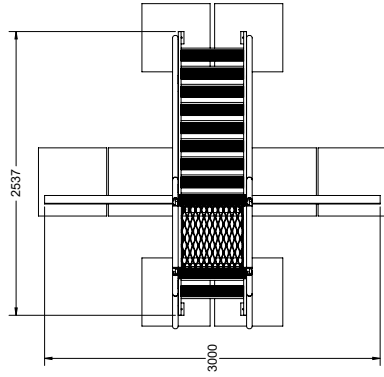
- .5 Q: Can the Mechanical Contractor act as the Prime/General Contractor for this project?

Response: Yes.

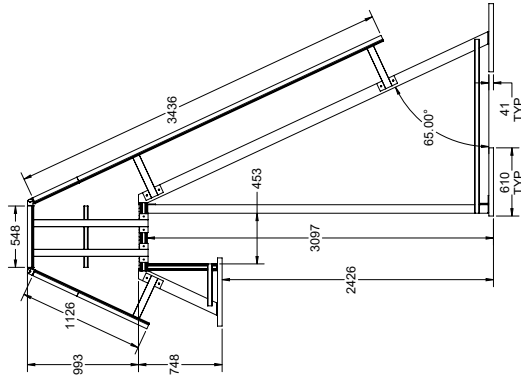
4.0 ATTACHMENTS:

- .1 Ships Ladder Crossover Sample Drawing (provided by contractor for information only. Not for construction)
.2 Roof Barrier Sample Drawing (provided by contractor for information only. Not for construction)

END OF ADDENDUM #1

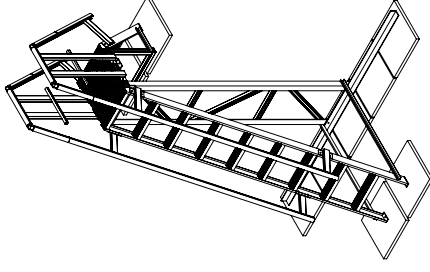


TOP VIEW

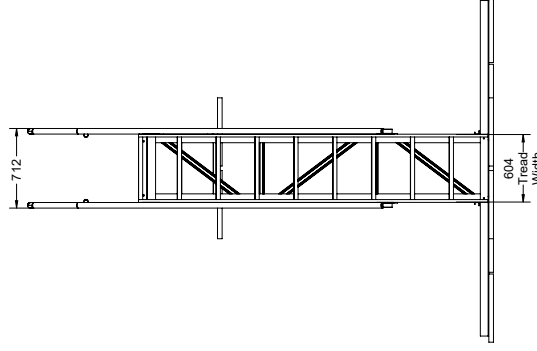


SIDE VIEW

Page 3 Addendum #1 . Date: 18 April 2022
Sample Drawing Provided By Contractor For Information Only.
NOT FOR CONSTRUCTION



ISOMETRIC VIEW



FRONT VIEW

Sign Here:

I hereby confirm that all site conditions and design requirements have been checked and are correct as shown above.

| | | |
|-----------|--------------------|-------------------------------|
| DESIGNED: | PROJECT: | U of O. Varrier Hall |
| DRAWN: | CB | PRODUCT: CROSSOVER |
| CHECKED: | JG | DATE: 2020/06/26 |
| NUMBER | OP10677 OR3799 - 1 | MATERIAL: ALUMINIUM |
| REVISIONS | | OPPORTUNITY #: OP10677 OR3799 |

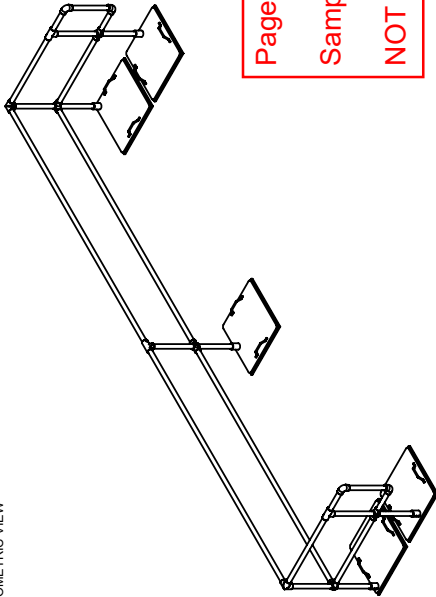
PROPRIETARY AND CONFIDENTIAL
THE INFORMATION CONTAINED IN THIS DRAWING IS THE SOLE PROPERTY OF SKYLINE GROUP. ANY REPRODUCTION IN PART OR AS A WHOLE WITHOUT THE WRITTEN PERMISSION OF SKYLINE GROUP IS PROHIBITED. DIMENSIONS IN YMM. DO NOT SCALE DRAWING.



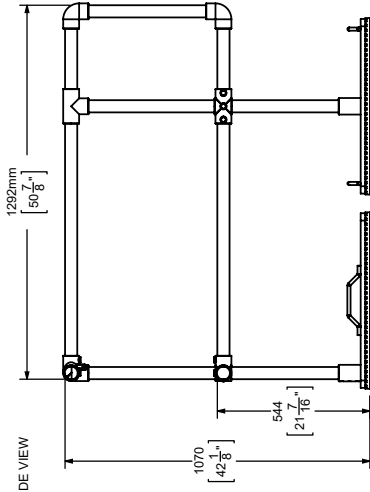
Skyline Group
19896 Hwy 7
Perth, ON K7H 3C9
Toll Free (877) 417-6336
www.skylinegroupint.com

- NOTES:
1. PAVERS, ANCHORS AND FASTENING DETAILS PROVIDED BY OTHERS.
 2. AS-BUILT DRAWINGS WILL INCUR AN ADDITIONAL COST OF \$1000.00 PER ORDER

ISOMETRIC VIEW

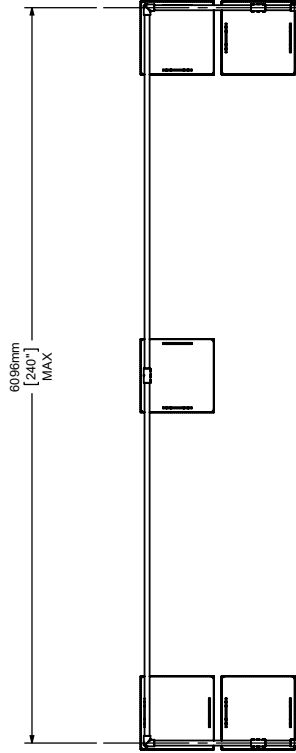


SIDE VIEW



Page 4 Addendum #1. Date: 18 April 2022
 Sample Drawing Provided By Contractor For Information Only.
 NOT FOR CONSTRUCTION

TOP VIEW



- NOTES:
1. BASEPLATES ARE POWDER COATED BLACK A36 MILD STEEL.
 2. TO BE INSTALLED ON MAX 5 DEGREE GRADE.
 3. SET SCREWS PROVIDED FOR FIXING POSTS AND OUTRIGGERS TO BASEPLATES
 4. HORIZONTAL RAILS MAY REQUIRE CUTTING TO SUIT SITE CONDITIONS
 5. RAILS TO BE SUPPLIED WITH 100mm MINIMUM HEIGHT STEEL
 6. TUBE FINISH G30, 0.9 OZ/FT² MIN ZINC COATING
 7. CLAMPS MADE OF MALLEABLE CAST IRON, GALVANIZED FINISH
 8. SET SCREWS IN BASEPLATE POST SOCKET: 3/8-16, TO BE TORQUED TO 10 FT LBS
 9. SET SCREWS IN CLAMPS SSP-3/8-19, SET TO BE TORQUED TO 20 FT LBS
 10. RAILS TO BE SUPPLIED WITH 100mm MINIMUM HEIGHT STEEL
 11. COMPLY WITH OCCUPATIONAL HEALTH AND SAFETY REGULATIONS
 12. TO BE INSTALLED AS PER INSTALLATION MANUAL
 13. INSTALLED ON ROOF WITH PARAPET ROOF EDGE UNLESS NOTED OTHERWISE
 14. OUTRIGGERS NOT TO BE USED AS FALL PROTECTION GUARDRAIL
 15. RAILING TO BE SUPPLIED WITH INFORMATION AND APPROVAL OF CONFIGURATION LAYOUT AND DIMENSIONS
 16. AS-BUILT DRAWINGS WILL INCUR AN ADDITIONAL COST OF \$1000.00 PER ORDER

Sign Here: _____

I hereby confirm that all site conditions and design measurements have been checked and are correct as shown above.

| | | | | |
|---|------------------|------|----------------------------|----------------------------|
| | REVISIONS | | | |
| | NUMBER | DATE | DESIGNED: | PROJECT: UP TO 20" |
| | | | DRAWN: CF | PRODUCT: |
| | | | CHECKED: JG | DATE: 2020/08/19 |
| | | | DRAWING #: BU000081 - 1 | MATERIAL: GALVANISED STEEL |
| | | | | OPPORTUNITY #: |
| PROPRIETARY AND CONFIDENTIAL | | | | |
| THE INFORMATION CONTAINED IN THIS DRAWING IS THE SOLE PROPERTY OF SKYLINE GROUP. ANY REPRODUCTION IN PART OR AS A WHOLE WITHOUT THE WRITTEN PERMISSION OF SKYLINE GROUP IS PROHIBITED. DIMENSIONS ARE IN MM, DO NOT SCALE DRAWING | | | | |
| Skyline Group 19896 Hwy 7 Perth, ON K7H 3C9 Toll Free (877) 417-6336 www.skylinegroupintl.com | | | | |
| <h1 style="margin: 0;">SKYLINE</h1> <h2 style="margin: 0;">GROUP</h2> | | | | |