

Public Works and
Government Services
Canada

Travaux publics et
Services gouvernementaux
Canada

REAL PROPERTY SERVICES
Western Region

SERVICES IMMOBILIERS
Région de l'ouest

0/PWGSC Base Plans 2021/Port Clements/foreign/Aerial Photo from

DO NOT SCALE DRAWINGS

Revision/Revision	Description/Description	Date/Date
0	IFR	22/05/27

Client/client
Fisheries & Oceans Canada
Small Craft Harbours Branch
Pacific Division

200 - 401 Burrard Street
Vancouver, Canada, V6C 3S4

Project title/Titre du projet
PORT CLEMENTS
WHARF AND FLOAT
TIMBER RECONSTRUCTION

Approved by/Approuvé par

Designed by/Concept par

Drawn by/Dessiné par
WSL

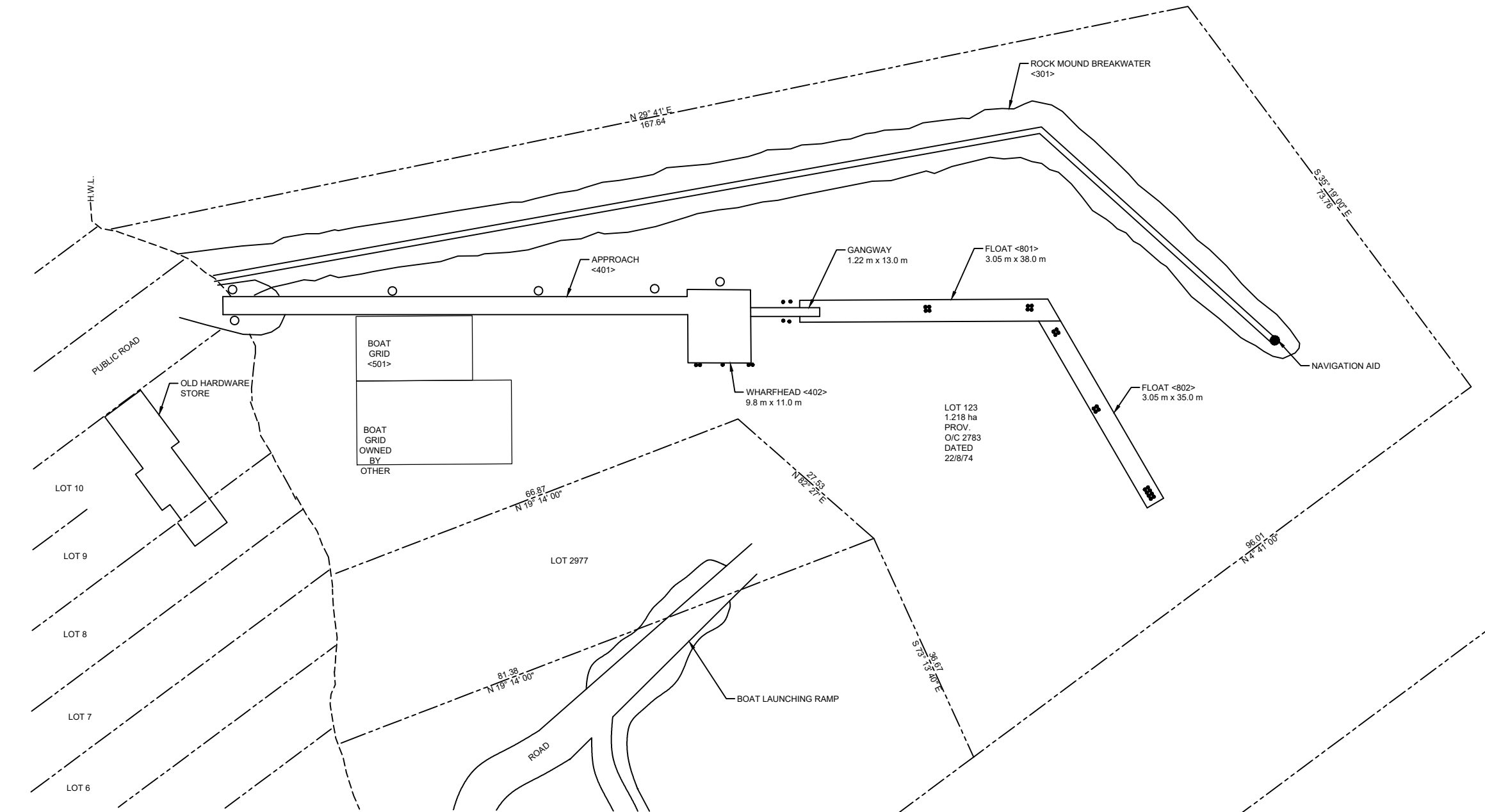
PWGSC Project Manager/Administrateur de Projets TPSGC
RC

PWGSC, Architectural and Engineering Resources Manager/
Ressources Architectural et de Directeur d'ingénierie, TPSGC

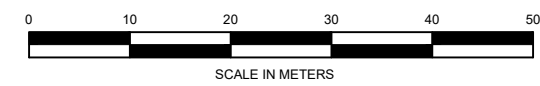
Client/client
SMALL CRAFT HARBOURS

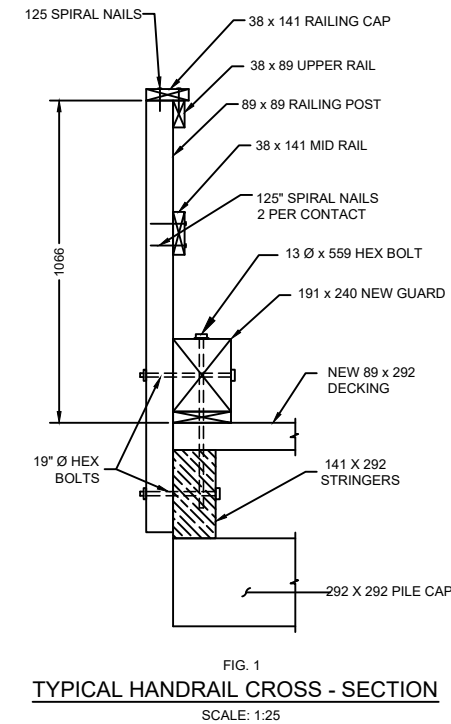
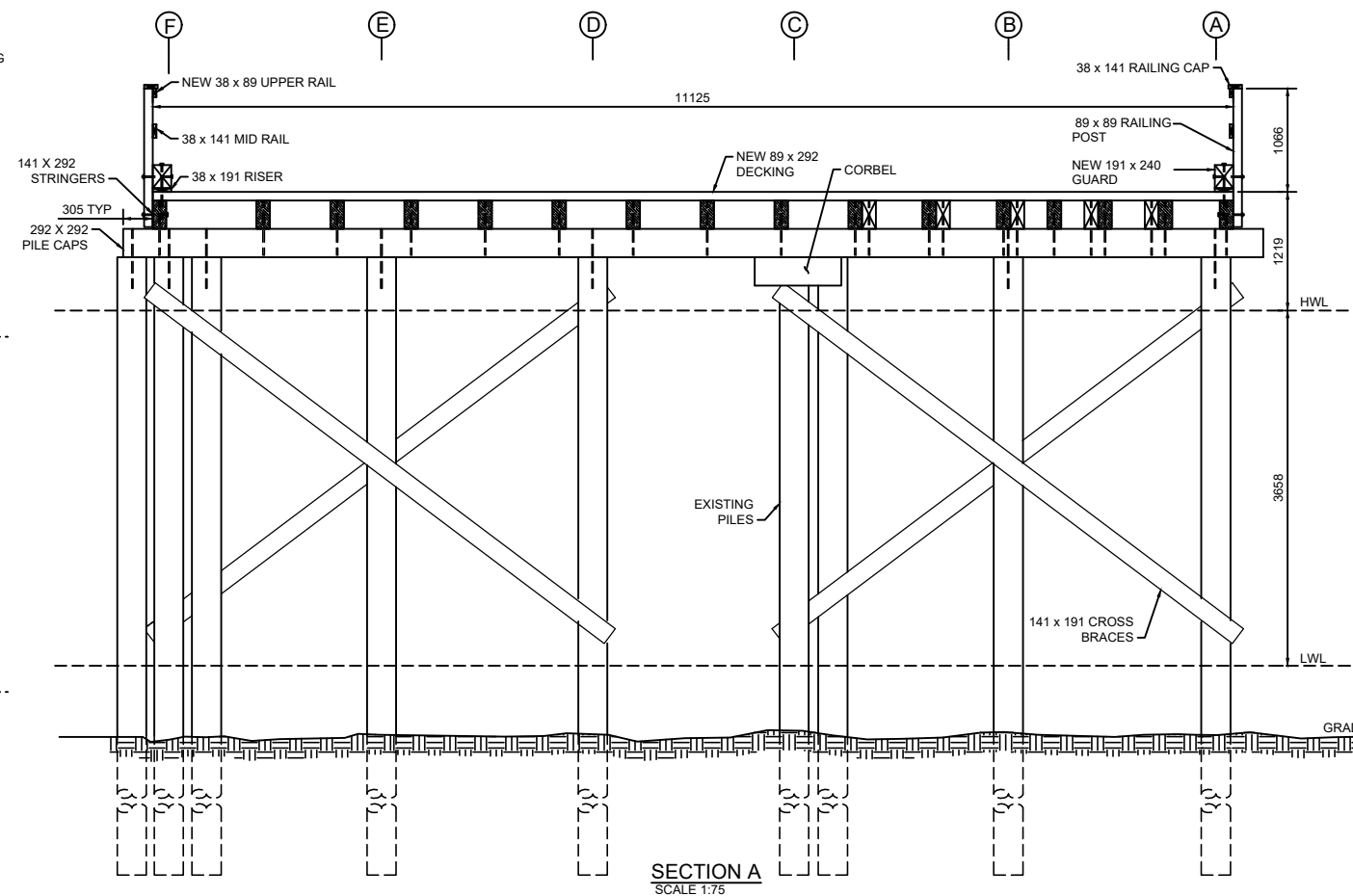
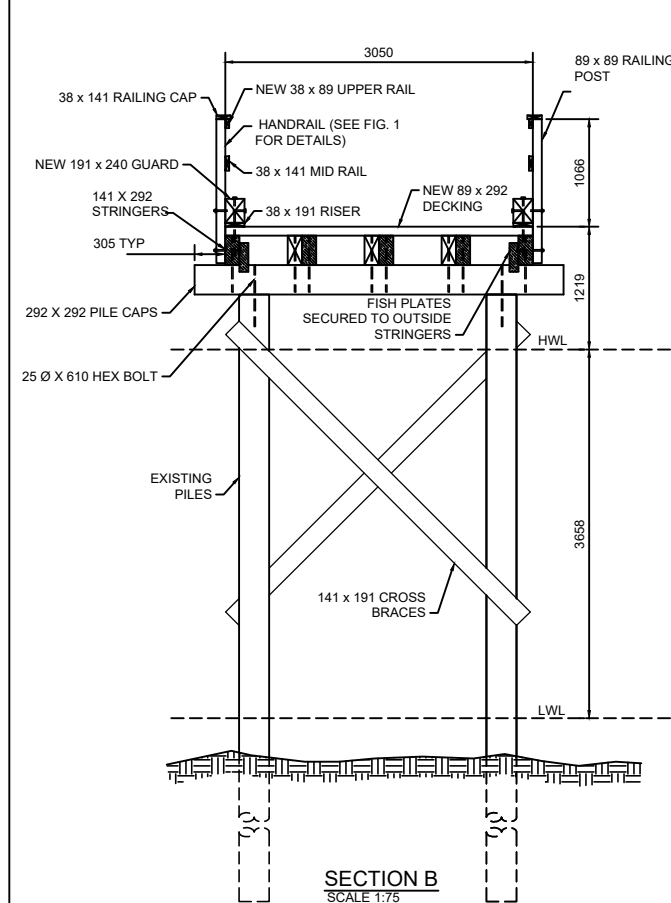
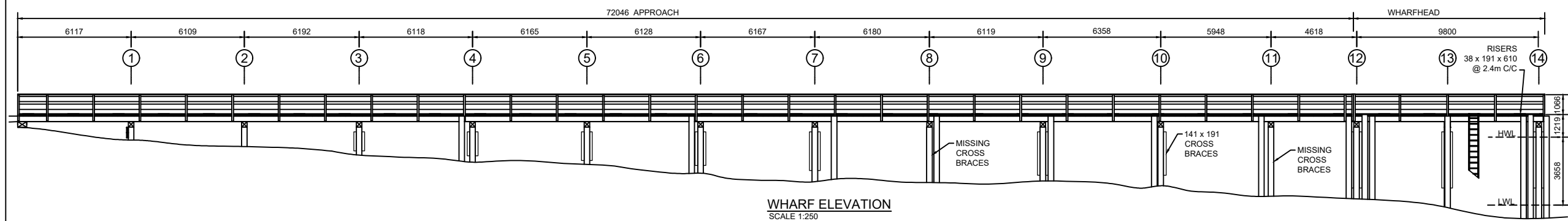
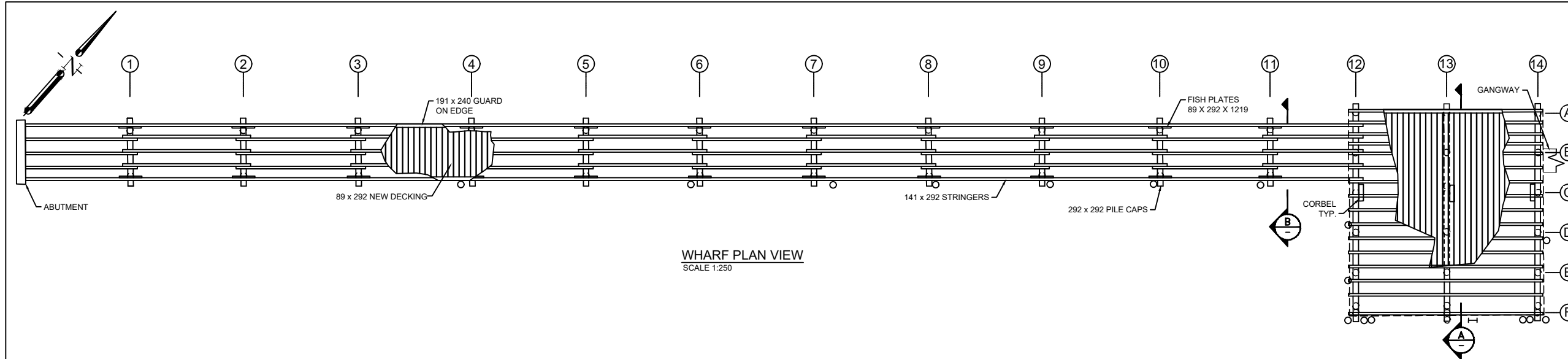
Drawing title/Titre du dessin
PORT CLEMENTS
SITE PLAN

Project No./No. du projet C2-00248	Sheet/Feuille 001 OF	Revision no./ La Révision no.
--	-----------------------------------	----------------------------------



PORT CLEMENTS
SCALE 1:750





DO NOT SCALE DRAWINGS

Revision/Revision	Description/Description	Date/Date
0	IFR	22/05/27

**Fisheries & Oceans Canada
Small Craft Harbours Branch
Pacific Division**

200 - 401 Burrard Street
Vancouver, Canada, V6C 3S4

Project title/Titre du projet

**PORT CLEMENTS
WHARF AND FLOAT
TIMBER RECONSTRUCTION**

Approved by/Approve par

Designed by/Concept par

Drawn by/Dessine par
WSL

PWGSC Project Manager/Administrateur de Projets TPSGC
RC

PWGSC, Architectural and Engineering Resources Manager/
Ressources Architectural et de Directeur d'ingénierie, TPSGC

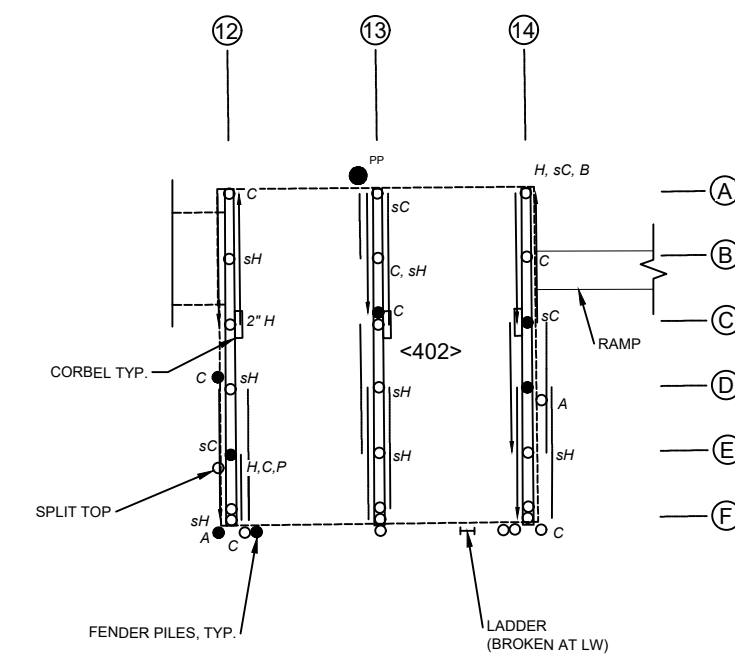
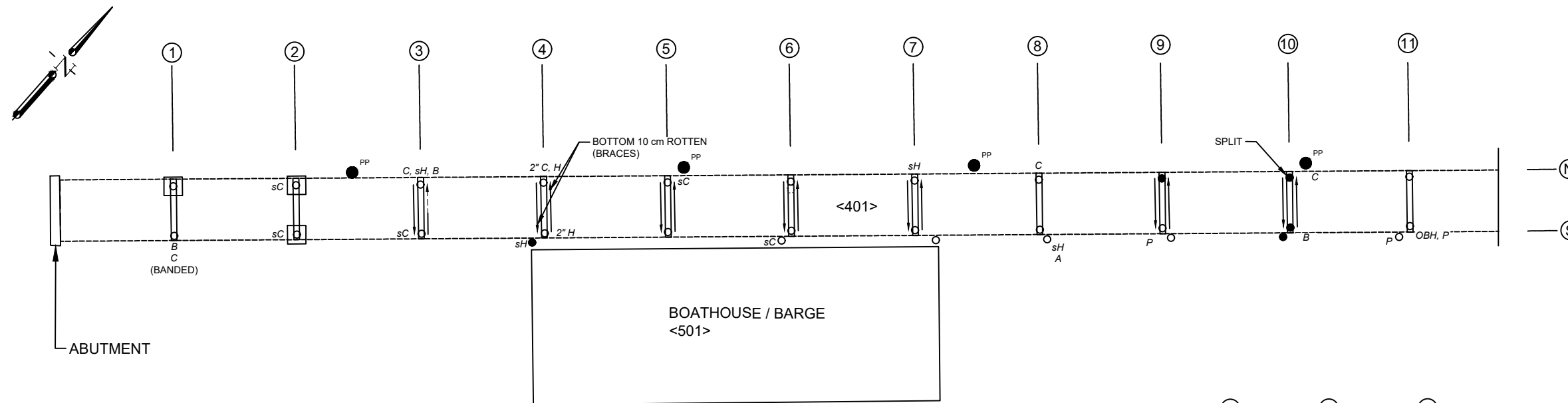
Client/client
SMALL CRAFT HARBOURS

Drawing title/Titre du dessin

**TIMBER WHARF
PLAN & ELEVATIONS**

Project No./No. du projet C2-00248	Sheet/Feuille 002 OF	Revision no./ La Révision no.
--	-----------------------------------	----------------------------------





LEGEND	
○	TIMBER PILE
◊	PILE STUB
□	PILE INSPECTED WITH PROBING AND HAMMER SOUNDING
□	CONCRETE BASE
●	POWER POLE
●	NO DAMAGE DETECTED
●	LIGHT DAMAGE (>90% SECTION REMAINING)
●	MODERATE DAMAGE (50 - 90% SECTION REMAINING)
→	DIAGONAL BRACE (ARROW AT LOWER POINT)
→	DIAGONAL BRACE DAMAGED
OBH	OPEN BOLT HOLE
B	S.S BAND(S) (EXISTING)
s	SLIGHT / SMALL
A	ABRASION
C	CHECKING
H	HOLE
P	PATCH OBSERVED
E	EXTERIOR DETERIORATION (BASED ON PHOTO)

BEARING PILE REPAIR

ITEM NO.	IDENTIFICATION	LOCATION OF DAMAGE ON PILE	TYPE OF DAMAGE	REPAIR WORK
1	4N	TOP HALF, E	CHECKING, BIOLOGICAL HOLE	BAND AND PATCH
2	4S	BOTTOM 1m, W	CHECKING, BIOLOGICAL HOLE	PATCH
3	8N	TOP	CHECKING	BAND
4	10N	TOP AND SW	CHECKING	BAND
5	12B	INTERTIDAL, BOTTOM 2m	BIOLOGICAL HOLE	BAND
6	12C	1m ABOVE BRACE, NE	BIOLOGICAL HOLE	PATCH
7	12E	BOTTOM 1m, INTERTIDAL	CHECKING, BIOLOGICAL HOLE	BAND AND PATCH
8	12F-EW	AT TOP, SE	CHECKING	BAND
9	13C-N	SE, WORST AT TOP	CHECKING	BAND
10	14A	INTERTIDAL	CHECKING, BIOLOGICAL	BAND AND PATCH
11	14B	MID TO LOW TIDE SE	CHECKING	BAND
12	14F-E	EC_EAST	CHECKING	BAND

CROSS BRACE REPLACEMENT

ITEM NO.	BENT NUMBER	LOCATION	REPAIR WORK
1	BENT 3	EAST	COMPLETE REPLACEMENT
2	BENT 8	WEST	NEW
3	BENT 8	EAST	NEW
4	BENT 9	EAST	COMPLETE REPLACEMENT
5	BENT 10	WEST	COMPLETE REPLACEMENT
6	BENT 11	WEST	NEW
7	BENT 11	EAST	NEW
8	BENT 12	FD_EAST	COMPLETE REPLACEMENT
9	BENT 13	CE_WEST	COMPLETE REPLACEMENT
10	BENT 13	DF_WEST	COMPLETE REPLACEMENT
11	BENT 13	FD_EAST	COMPLETE REPLACEMENT
12	BENT 14	EC_EAST	COMPLETE REPLACEMENT
13	BENT 14	FD_EAST	COMPLETE REPLACEMENT

DO NOT SCALE DRAWINGS

Revision/Revision	Description/Description	Date/Date
0	IFR	22/05/27

Client/client
Fisheries & Oceans Canada
Small Craft Harbours Branch
Pacific Division
 200 - 401 Burrard Street
 Vancouver, Canada, V6C 3S4

Project title/Titre du projet
PORT CLEMENTS
WHARF AND FLOAT
TIMBER RECONSTRUCTION

Approved by/Approuvé par

Designed by/Concept par

Drawn by/Dessiné par
 WSL

PWGSC Project Manager/Administrateur de Projets TPSGC
 RC

PWGSC, Architectural and Engineering Resources Manager/
 Ressources Architectural et de Directeur d'ingénierie, TPSGC

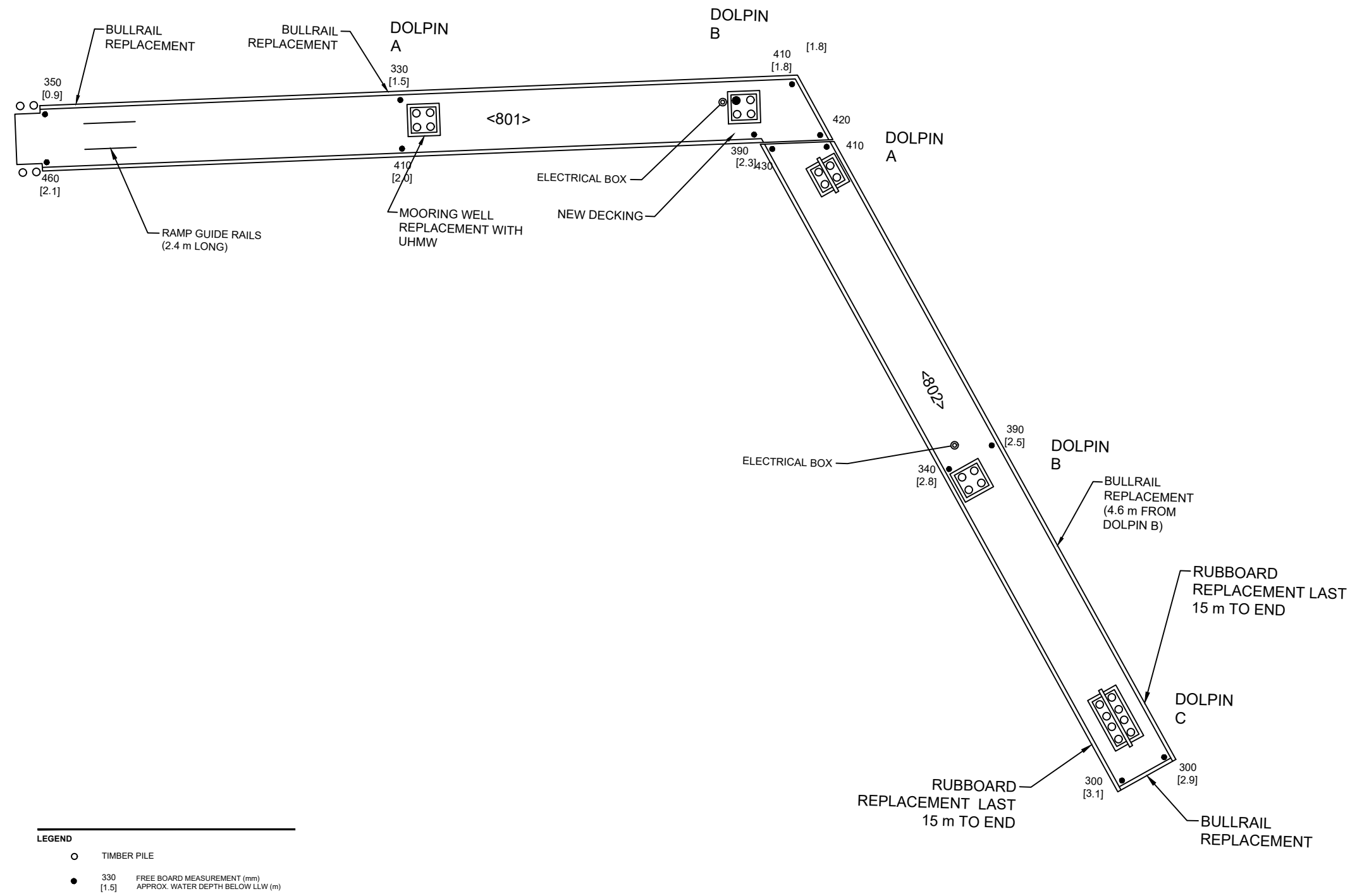
Client/client
 SMALL CRAFT HARBOURS

Drawing title/Titre du dessin

TIMBER WHARF
SUBSTRUCTURE RECONSTRUCTION
AND REPAIR

Project No./No. du projet	Sheet/Feuille	Revision no./La Révision no.
C2-00248	003 OF	





Revision/Revision	Description/Description	Date/Date
0	IFR	22/05/27

Client/client
**Fisheries & Oceans Canada
Small Craft Harbours Branch
Pacific Division**
200 - 401 Burrard Street
Vancouver, Canada, V6C 3S4

Project title/Titre du projet
**PORT CLEMENTS
WHARF AND FLOAT
TIMBER RECONSTRUCTION**

Approved by/Approuvé par
DB

Designed by/Concept par

Drawn by/Dessiné par
WSL

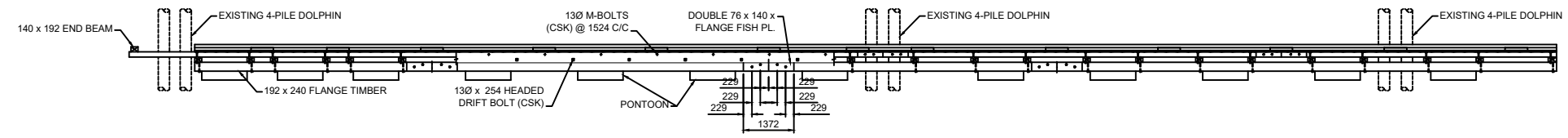
PWGSC Project Manager/Administrateur de Projets TPSGC
RC

PWGSC, Architectural and Engineering Resources Manager/
Ressources Architectural et de Directeur d'ingénierie, TPSGC

Client/client
SMALL CRAFT HARBOURS

Drawing title/Titre du dessin
**TIMBER FLOAT
RECONSTRUCTION**

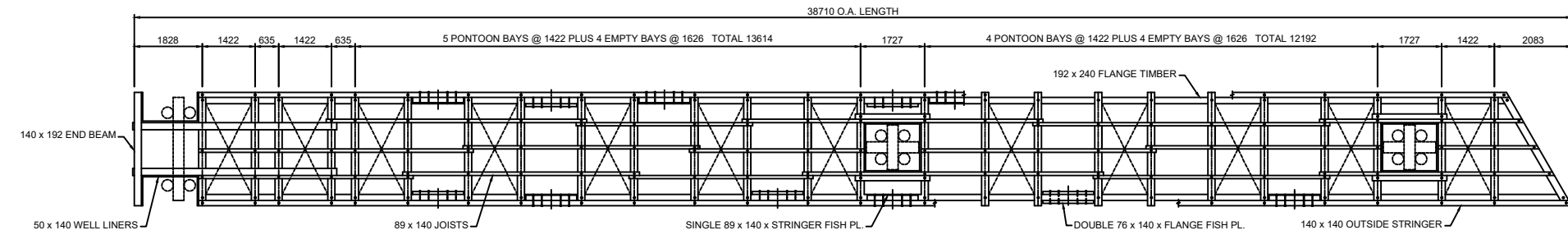
Project No./No. du projet C2-00248	Sheet/Feuille 004 OF 1	Revision no./ La Révision no.
--	-------------------------------------	----------------------------------



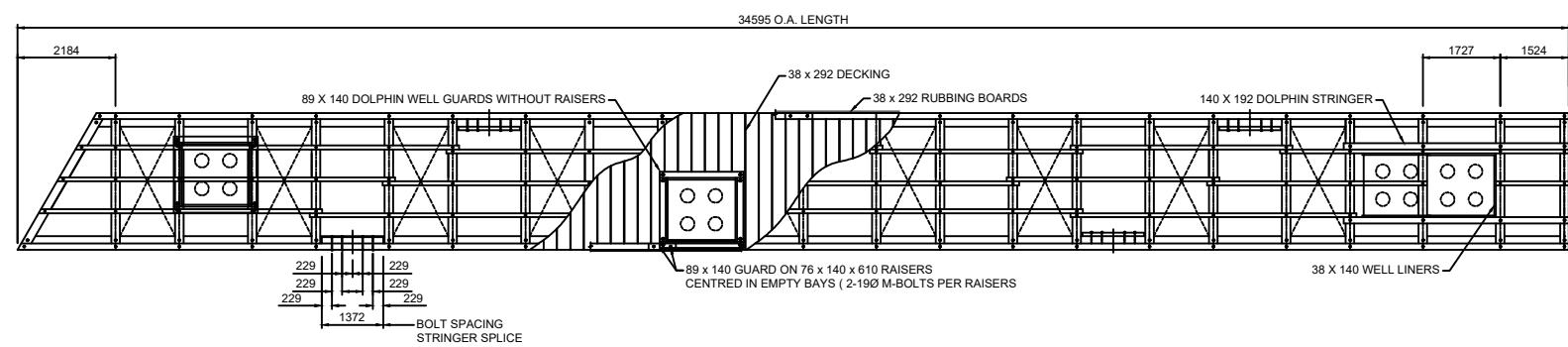
SIDE ELEVATION FLOAT <801> AND FLOAT <802>
SCALE: 1:75

LEGEND

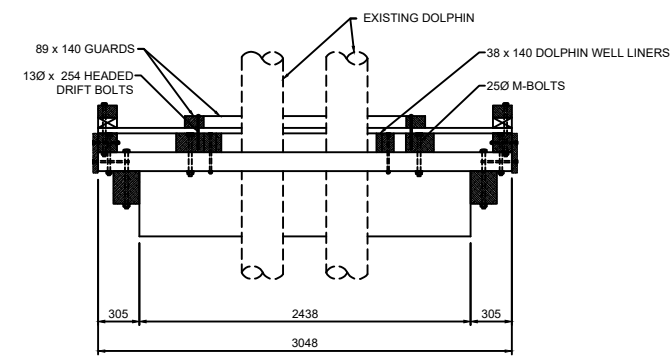
- 190 MACHINE BOLTS
- 250 MACHINE BOLTS
- 130 MACHINE BOLTS
- 130 x 254 HEADED DRIFT BOLT CSK



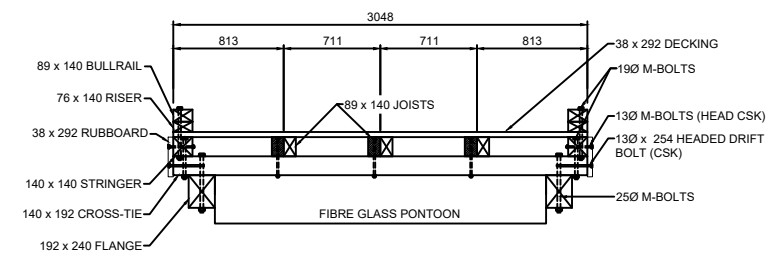
SUPERSTRUCTURE PLAN FLOAT <801>
SCALE: 1:75



SUPERSTRUCTURE PLAN FLOAT <802>
SCALE: 1:75



TYPICAL FLOAT MOORING WELL
SCALE 1:25



TYPICAL FLOAT SECTION
SCALE 1:25

NOTE:
SIZING AND TREATMENT OF FLOAT TIMBERS

- | | | |
|----------------------|-------|------------|
| GUARD AND RAISERS | S4S | SALT TRTD. |
| RUBBING BOARDS | S4S | CREOS. |
| FLANGES | S4S | CREOS. |
| FLANGE FISH PLATES | S4S | CREOS. |
| JOISTS | S2E | CREOS. |
| STRINGERS | S2E | CREOS. |
| CROSS TIES | S2E | CREOS. |
| WELL LINERS | S2E | CREOS. |
| DECKING | S1S1E | SALT TRTD. |
| OVERLAY DECKING | S2S | SALT TRTD. |
| STRINGER FISH PLATES | S4S | CREOS. |
| DOLPHIN STRINGER | S4S | CREOS. |

Revision/Revision	Description/Description	Date/Date
0	IFR	22/05/27

Client/client
Fisheries & Oceans Canada
Small Craft Harbours Branch
Pacific Division

200 - 401 Burrard Street
Vancouver, Canada, V6C 3S4

Project title/Titre du projet

PORT CLEMENTS
WHARF AND FLOAT
TIMBER RECONSTRUCTION

Approved by/Approve par
DB

Designed by/Concept par

Drawn by/Dessiné par
WSL

PWGSC Project Manager/Administrateur de Projets TPSGC
RC

PWGSC, Architectural and Engineering Resources Manager/
Ressources Architectural et de Directeur d'ingénierie, TPSGC

Client/client
SMALL CRAFT HARBOURS

Drawing title/Titre du dessin

TIMBER FLOAT
PLAN AND ELEVATIONS