



**RETURN BIDS TO:**

Parks Canada Agency Bid Receiving Unit  
National Contracting Services

**Bid Fax:** 1-855-983-1808

**Bid Email:** [soumissionsami-bidsrpc@pc.gc.ca](mailto:soumissionsami-bidsrpc@pc.gc.ca)

This is the only acceptable email address for responses to the bid solicitation. Bids submitted by email directly to the Contracting Authority or to any other email address will not be accepted.

The maximum email file size is 15 megabytes. The Parks Canada Agency (PCA) is not responsible for any transmission errors. Emails with links to bid documents will not be accepted.

**REVISION 007 TO A  
INVITATION TO TENDER**

The referenced document is hereby revised; unless otherwise indicated, all other terms and conditions remain the same.

**Issuing Office:**

Parks Canada Agency  
National Contracting Services  
Calgary, AB

<b>Title:</b> Fire Protection, Systems and Building Repairs- Lower Fort Garry National Historic Site	
<b>Solicitation No.:</b> 5P468-22-0065/A	<b>Date:</b> September 16, 2022
<b>Amendment No.:</b> 007	
<b>Client Reference No.:</b> 2171.4	
<b>GETS Reference No.:</b> PW-22-01003821	

<b>Solicitation Closes:</b> At: 2:00 PM On: <b>September 21, 2022</b>	<b>Time Zone:</b> MDT
---	--------------------------

<b>F.O.B.:</b> Plant: <input type="checkbox"/> Destination: <input checked="" type="checkbox"/> Other: <input type="checkbox"/>	
<b>Address Enquiries to:</b> Rebecca Chen	
<b>Telephone No.:</b> 587-439-3529	<b>Fax No.:</b> 1-855-983-1808
<b>Email Address:</b> <a href="mailto:rebecca.chen@pc.gc.ca">rebecca.chen@pc.gc.ca</a>	
<b>Destination of Goods, Services, and Construction:</b> See Herein	

**TO BE COMPLETED BY THE BIDDER**

<b>Vendor/ Firm Name:</b>	
<b>Address:</b>	
<b>Telephone No.:</b>	<b>Fax No.:</b>
<b>Name of person authorized to sign on behalf of the Vendor/ Firm (type or print):</b>	
<b>Signature:</b>	<b>Date:</b>

## Amendment 007

This amendment is raised to extend the solicitation closing date and to distribute the answers to bidder questions and to make changes to the specification package.

### A. Bid Closing Date

The closing date for tender 5P468-22-0065/A is extended from September 20, 2022 to **September 21, 2022 at 2:00PM Mountain Daylight Time (MDT)**.

### B. Questions and Answers

**Q15** "...In the sprinkler spec it states that all fittings for pipe 2" and under are to be threaded. However, when doing the walk through yesterday I noticed lots of Victaulic grooved fittings on site. Will we have the ability to use Victaulic couplings with flush seal gaskets as well as outlet tee's on the piping? ..."

**A15** Grooved couplings, including gaskets used on dry pipe, preaction, and deluge systems, shall be listed for dry service. Gaskets are required to be flush seat gaskets.

**Q16** Are new drawings c/w engineering review and calculations required for all buildings?

**A16** Yes

**Q17** Potter requires the project form, attached to be filled out in order to properly quote/size the replacement Nitrogen generators. Is this information available? Can it be provided? Potter is suggesting that even though we may have the existing generator information, they want to confirm that sizing is proper.

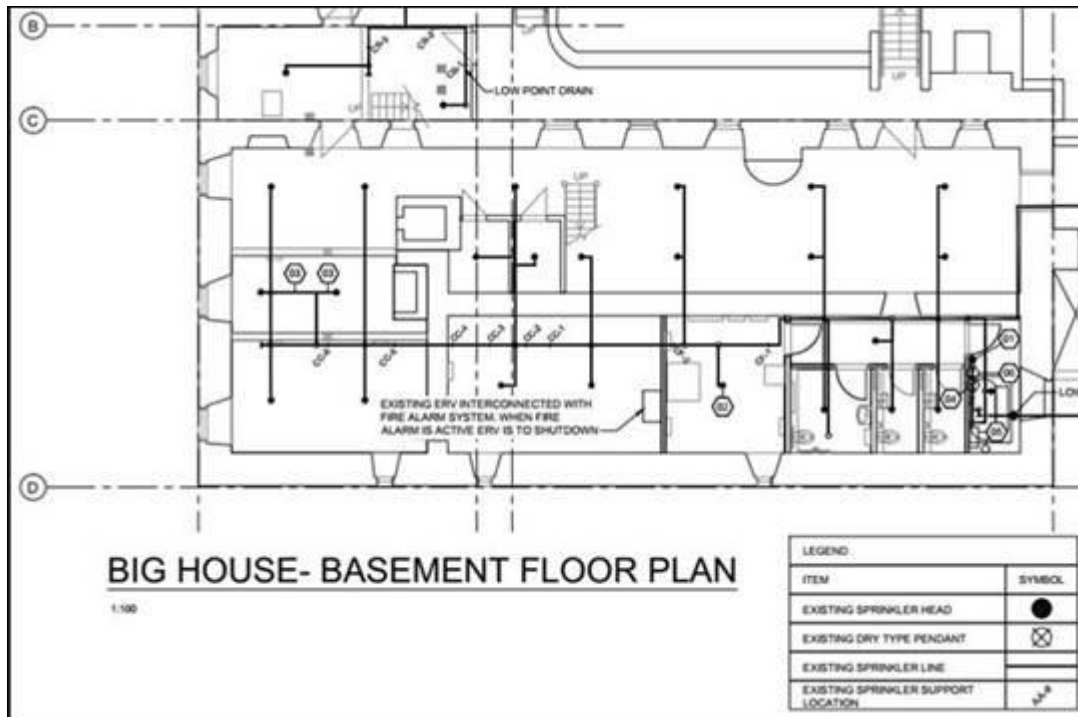
**A17** This information is available in the Nitrogen Generator Inspection report in the SMS final report appendix. See DSP4\_22\_0065 *Nitrogen Generator reports*

#### BIG HOUSE

**Q18** Drawing M1.1...Note 03 – moving the sprinkler over the distance requested will not meet code, as the head will be too far from the fireplace wall. Can you please review and advise?

**A18** Another sprinkler will be installed. Note 3 on sheet M1.1 is to be changed to the following.

"CEILING IS TO BE REMOVED BY ARCHITECTURAL CONTRACTOR. INSTALL NEW 25mm SPRINKLER PIPING AND SPRINKLER TO EXTEND BRANCH TO 1829mm FROM THE FIREPLACE WALL. INSTALL NEW 25mm SPRINKLER PIPING TO EXTEND BRANCH SO THE SPRINKLER IS 4420mm FROM THE FIRE PLACE WALL SUPPORT PIPING AS PER SPECIFICATIONS. CREATE AN OPENING IN THE TONGUE AND GROOVE WOOD FOR SPRINKLER HEAD. CEILING IS TO BE RE-INSTALLED BY ARCHITECTURAL CONTRACTOR. EXISTING OPENING FOR SPRINKLER HEAD IS TO BE PATCHED BY ARCHITECTURAL CONTRACTOR. ENSURE PIPE IS SLOPED TO DRAIN. RE-INSTALL EXISTING SPRINKLER HEAD."

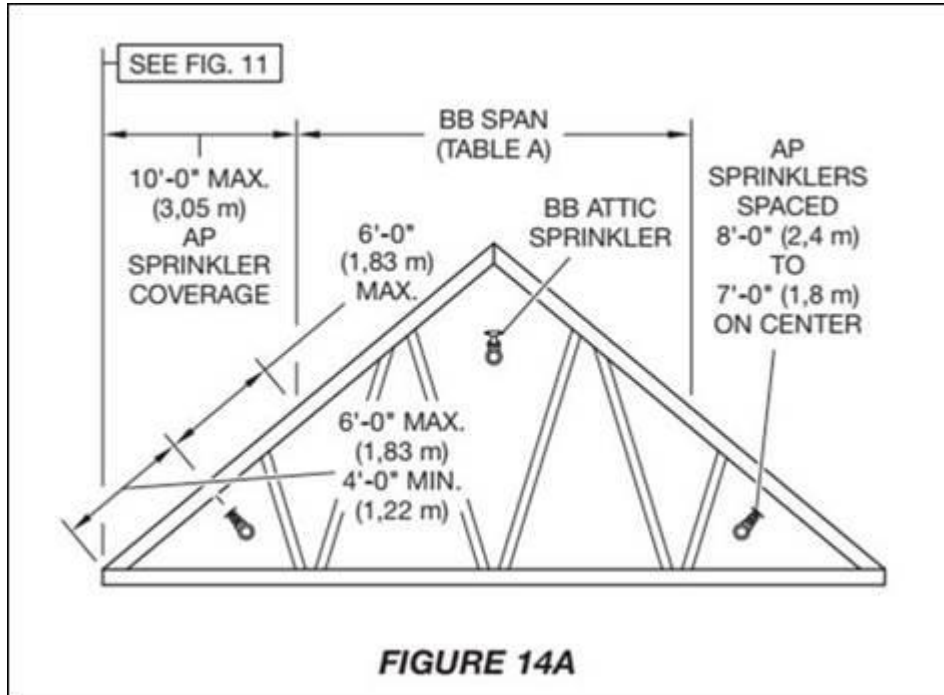


**Q19** Drawing M1.2...Note 01 – Install new dry type pendant. The piping to this particular sprinkler head appears to be removed. It also appears as though a low point drain may have to be added to accommodate the slope. Can you confirm that we are to reinstall the piping and that we may install a new low point drain?

**A19** Please quote as per tender document.

**Q20** Drawing M1.2...Note 01 – install sprinkler head a distance of 1500 mm away from attic wall. Moving the sprinkler heads the requested distance from the attic wall creates a cold solder situation with other existing sprinkler heads adjacent to the head to be moved. Can you advise on the purpose of the relocation/move and advise on the potential ramifications? This is a common note on other drawings as well.

**A20** The sprinklers are currently not installed within the manufacturer's installation specifications. Please see below for a figure regarding installation details.



**Q21** There are numerous drawing notes that request removal and replacement of fittings with surface rust. Surface rust is quite common among black cast iron fittings. The rust does not appear to affect the integrity of the fitting and the internal state is most likely comparable to other fittings without surface rust. We point this out for information and consideration only.

**A21** This has been discussed during design and was decided to have all considerably rusted piping and fittings replaced as shown on tender documents.

**Q22** Are approved dry system sealing type grooved fittings acceptable for threaded fittings/coupling replacement?

**A22** Grooved couplings, including gaskets used on dry pipe, preaction, and deluge systems, listed for dry service are acceptable.

## B. Tender Document Revisions

**ADD:** DSP4\_22-0065  
*Nitrogen Generator reports*

**IN:** Drawing M1.1

**DELETE:** Note 3

**REPLACE WITH:** Note 3:

“CEILING IS TO BE REMOVED BY ARCHITECTURAL CONTRACTOR. INSTALL NEW 25mm SPRINKLER PIPING AND SPRINKLER TO EXTEND BRANCH TO 1829mm FROM THE FIREPLACE WALL. INSTALL NEW 25mm SPRINKLER PIPING TO EXTEND BRANCH SO THE SPRINKLER IS 4420mm FROM THE FIRE PLACE WALL

**Solicitation No.:**  
5P468-22-0065/A

**Amendment No.:**  
007

**Contracting Authority:**  
Rebecca Chen

Ver.02.08.21

**Client Reference No.:**  
2171.4

**Title:**  
Fire Protection, Systems and Building Repairs- Lower Fort Garry National Historic Site

---

SUPPORT PIPING AS PER SPECIFICATIONS. CREATE AN OPENING IN THE TONGUE AND GROOVE WOOD FOR SPRINKLER HEAD. CEILING IS TO BE RE-INSTALLED BY ARCHITECTURAL CONTRACTOR. EXISTING OPENING FOR SPRINKLER HEAD IS TO BE PATCHED BY ARCHITECTURAL CONTRACTOR. ENSURE PIPE IS SLOPED TO DRAIN. RE-INSTALL EXISTING SPRINKLER HEAD.”

**ALL OTHER TERMS & CONDITIONS REMAIN UNCHANGED.**