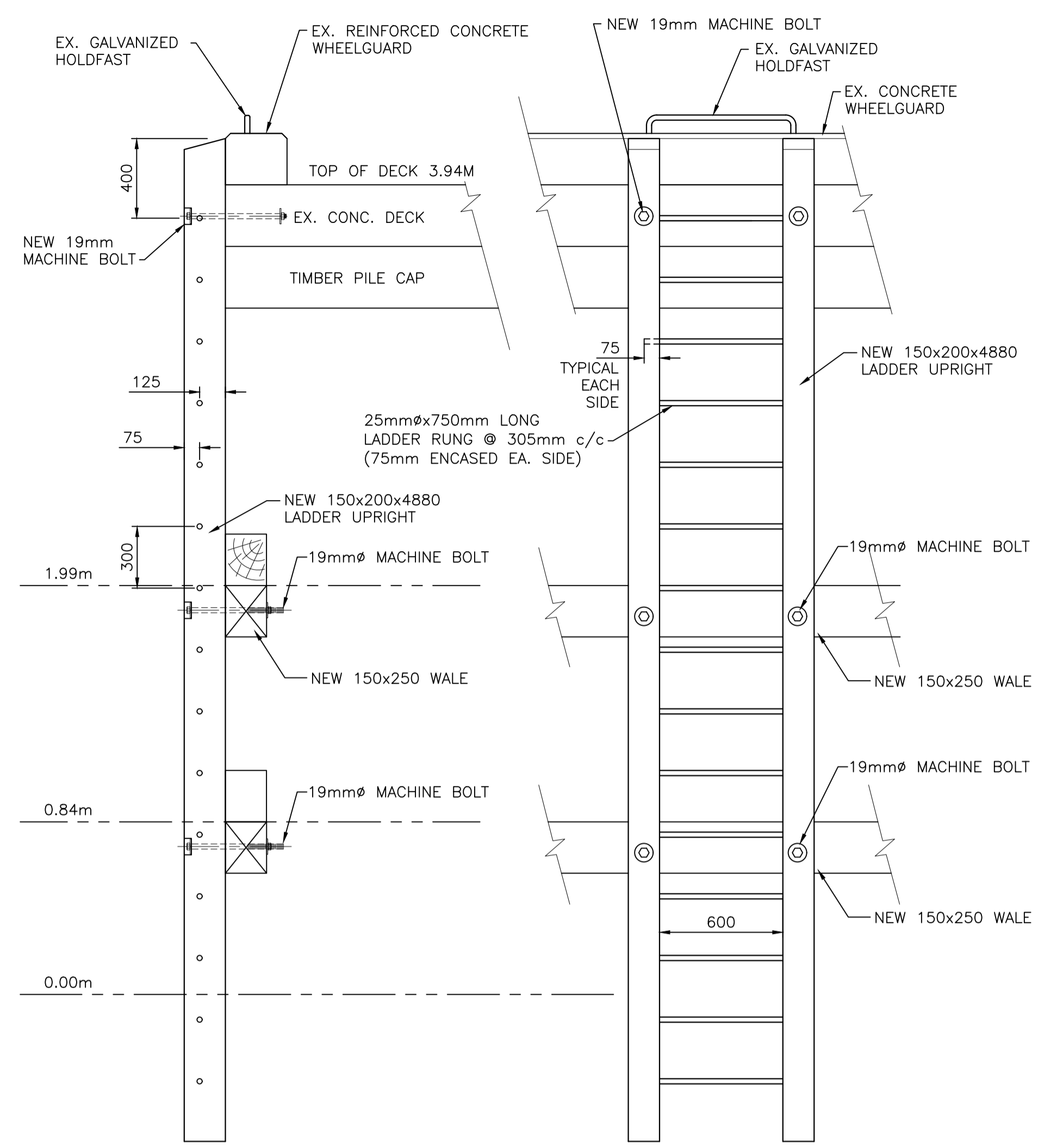
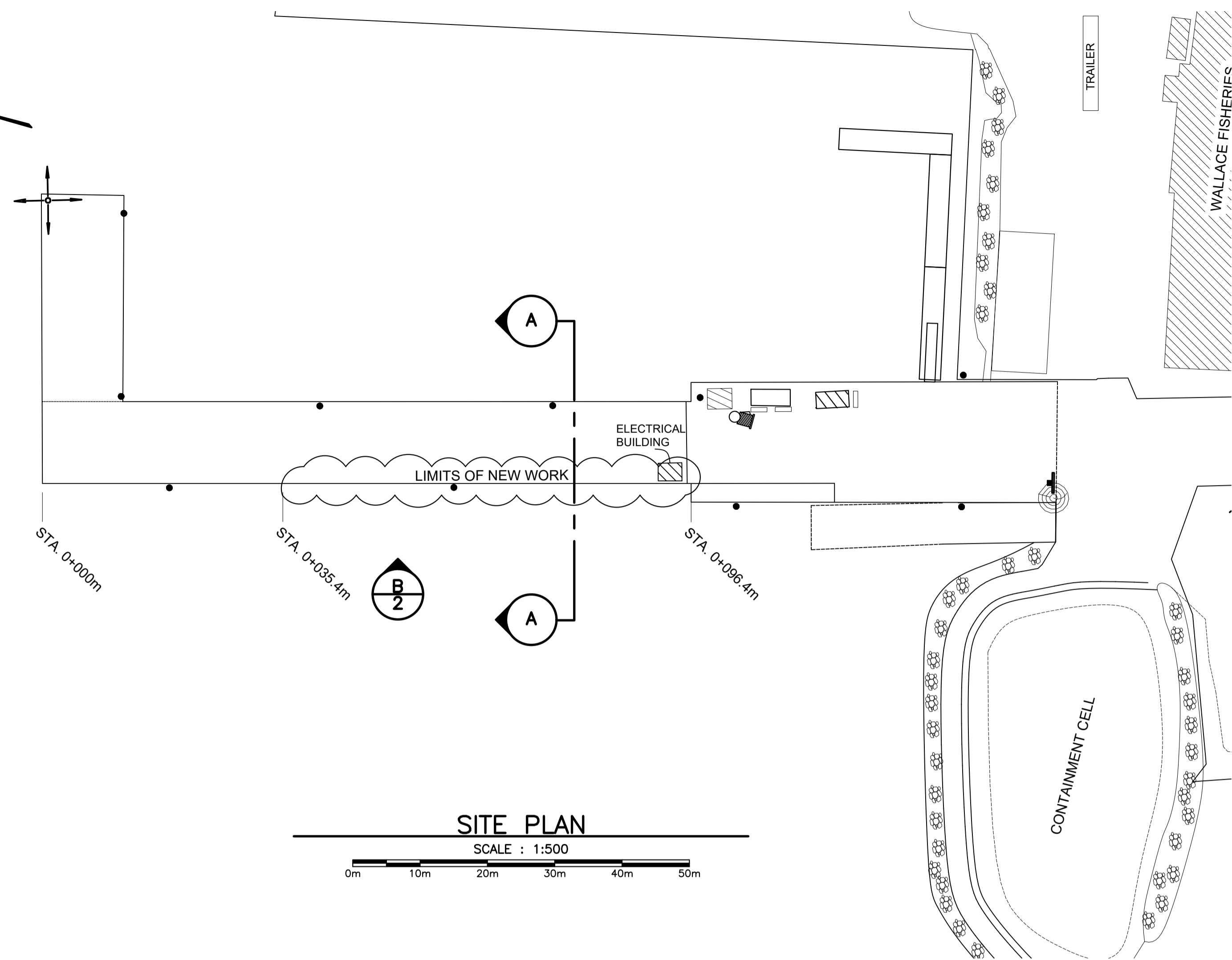


1. REMOVE AND DISPOSE OF LADDERS, SHEATHING, WALES, AND HARDWARE. REINSTATE WITH NEW LADDERS, SHEATHING, WALES, CROSS BRACING, AND HARDWARE.
2. ALL DIMENSIONS ARE IN MILLIMETRES. ELEVATIONS ARE IN METRES (REFERENCED TO CHART DATUM).
3. CHART DATUM IS, BY INTERNATIONAL AGREEMENT, A PLANE BELOW WHICH THE TIDE WILL SELDOM FALL. THE CANADIAN HYDROGRAPHIC SERVICE HAS ADOPTED THE PLANE OF LOWEST NORMAL TIDE (L.N.T.) AS CHART DATUM. AS THE RISE, FALL AND RANGE OF TIDES VARIES DAILY, THE CANADIAN TIDE AND CURRENT TABLES, AS ISSUED BY THE CANADIAN HYDROGRAPHIC SERVICE, SHOULD BE CONSULTED FOR TIDAL PREDICTIONS AND OTHER TIDAL INFORMATION RELATING TO WORK.
4. THE EXISTING WHARF LAYOUT SHOWN IS APPROXIMATE. THE CONTRACTOR SHALL BE HELD TO HAVE VISITED THE SITE AND TO HAVE BECOME FAMILIAR WITH THE EXISTING CONDITIONS PRIOR TO COMMENCING WORK. IT IS THE RESPONSIBILITY OF THE CONTRACTOR TO INFORM THE DEPARTMENTAL REPRESENTATIVE IN WRITING OF ANY DISCREPANCIES BETWEEN EXISTING CONDITIONS AND THE PLAN BEFORE STARTING WORK.
5. TOP ANCHOR BOLTS TO BE CHEMICALLY ANCHORED INTO EXISTING CONCRETE SLAB USING HILTI-HIT-HY200 ANCHORING COMPOUND.
6. LADDER LOCATIONS ARE SHOWN ON PLAN ARE APPROXIMATE. CONTRACTOR IS TO REPLACE LADDERS AT EXISTING LOCATIONS OR AS DIRECTED BY DEPARTMENTAL REPRESENTATIVE.

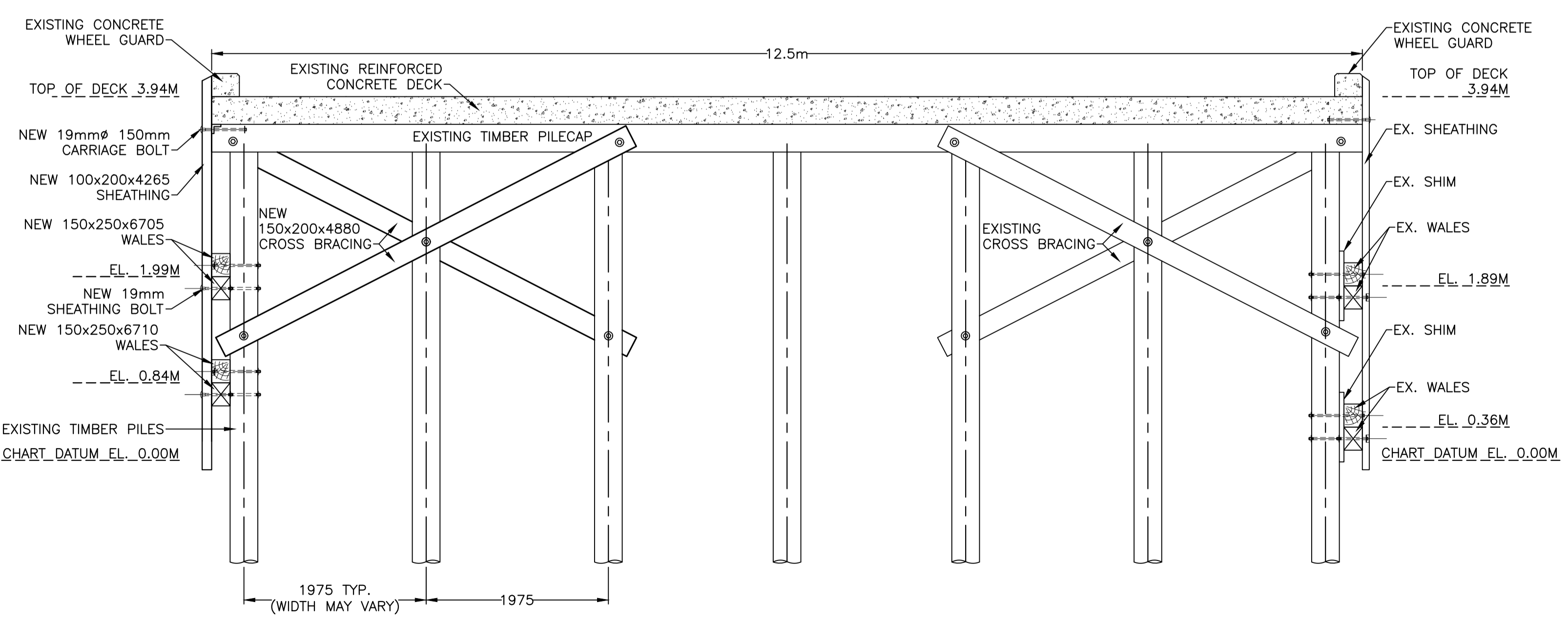


SIDE ELEVATION FRONT ELEVATION

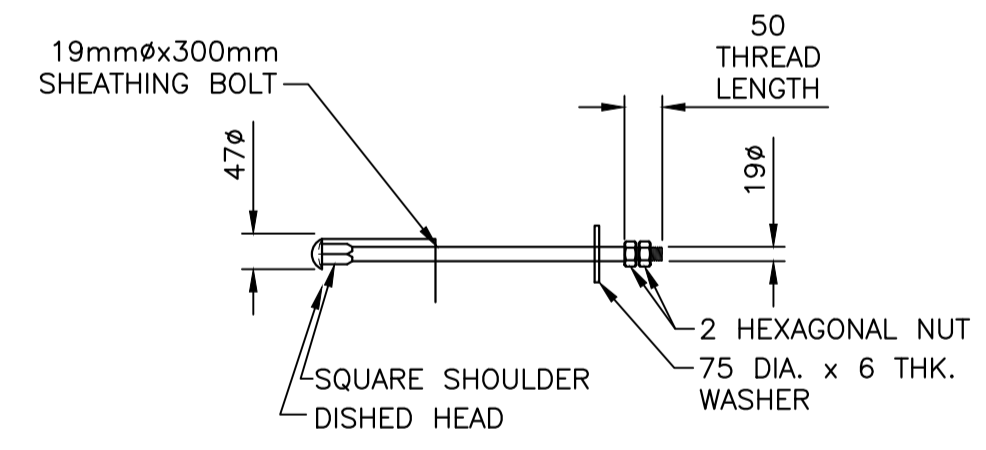
TREATED TIMBER LADDER DETAIL
SCALE : 1:20



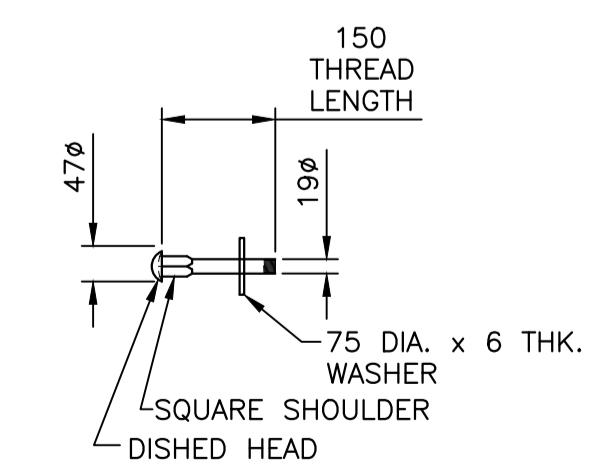
SITE PLAN
SCALE : 1:500



PROPOSED SECTION THROUGH WHARF
SCALE : 1:40



SHEATHING BOLT
SCALE : 1:10



CARRIAGE BOLT
SCALE : 1:10

1	ISSUED FOR REVIEW	05/12/2022
revisions		date
project		projct

**WHARF REPAIRS
WALLACE HARBOUR**
CUMBERLAND COUNTY
NOVA SCOTIA

drawing dessin

**SITE PLAN
SECTION
& DETAILS**

designed	SCH STAFF	conçu
date	MAY 2022	
drawn	SCH STAFF	dessiné
date	MAY 12, 2022	
approved		approuvé
date		
Tender		Soumission

Project Manager Administrateur de projets
project number no. du projet

GT2022-11
drawing no. no. du dessin