

Materials/Parts List

Nº	Quantity	Description
1		

Revisions

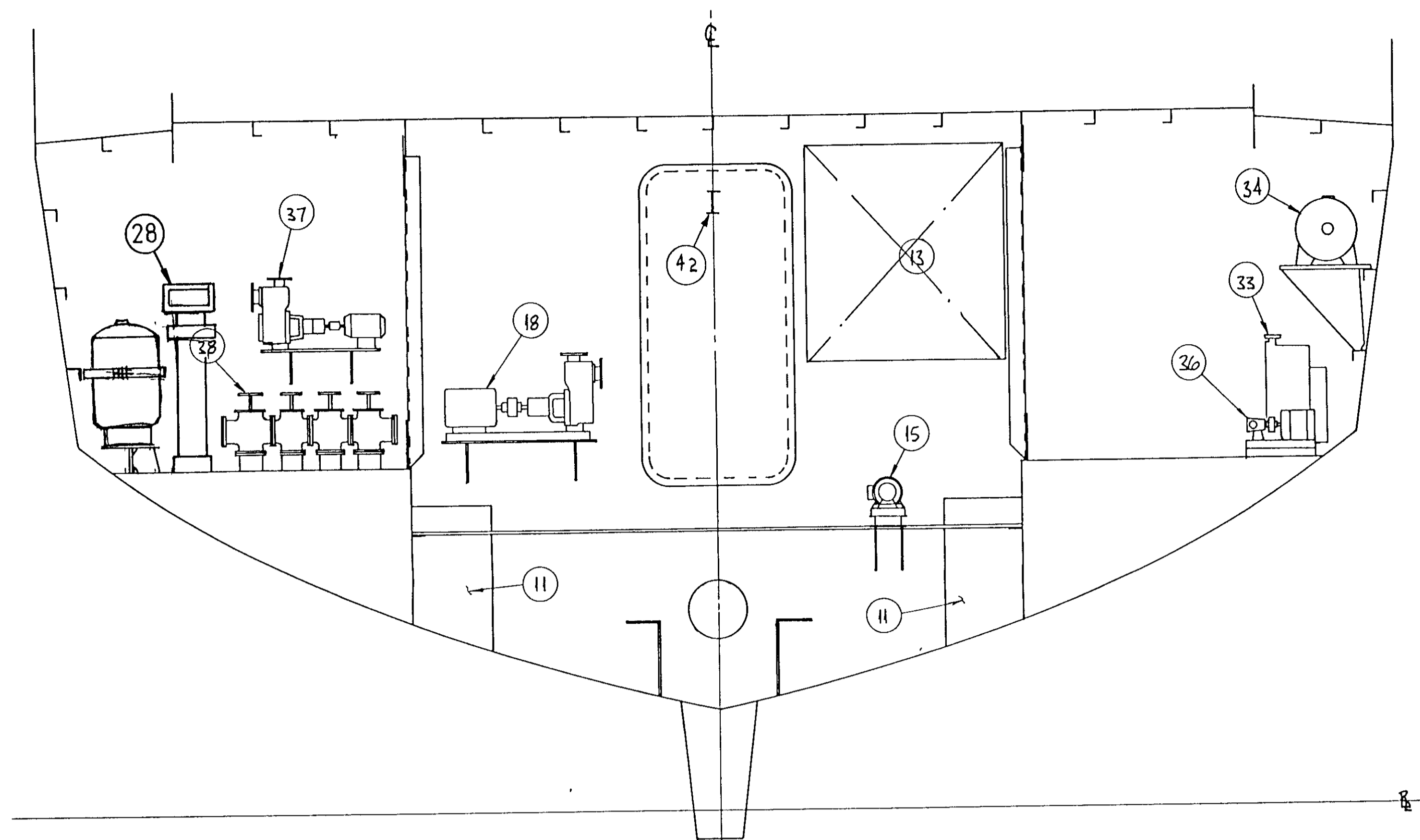
Nº	Remarks	Check	Date

Reference Drawings

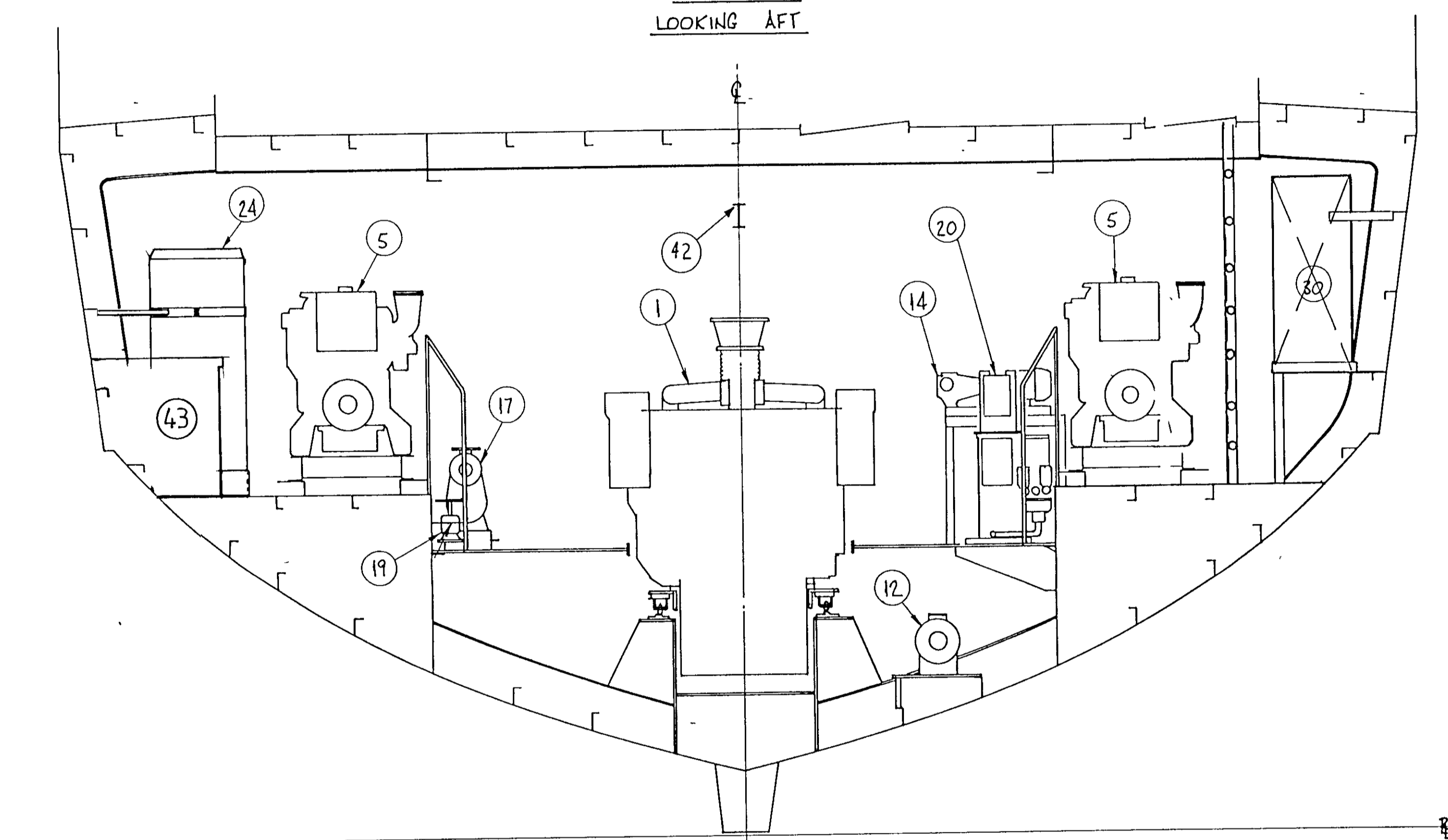
Nº	Title	Drawing number
1	AUX MACHINERY SEATINGS	H93-18
2	MAIN MACHINERY SEATINGS	H93-17
3	PAD EYES & MONORAIL	H93-28

General Information

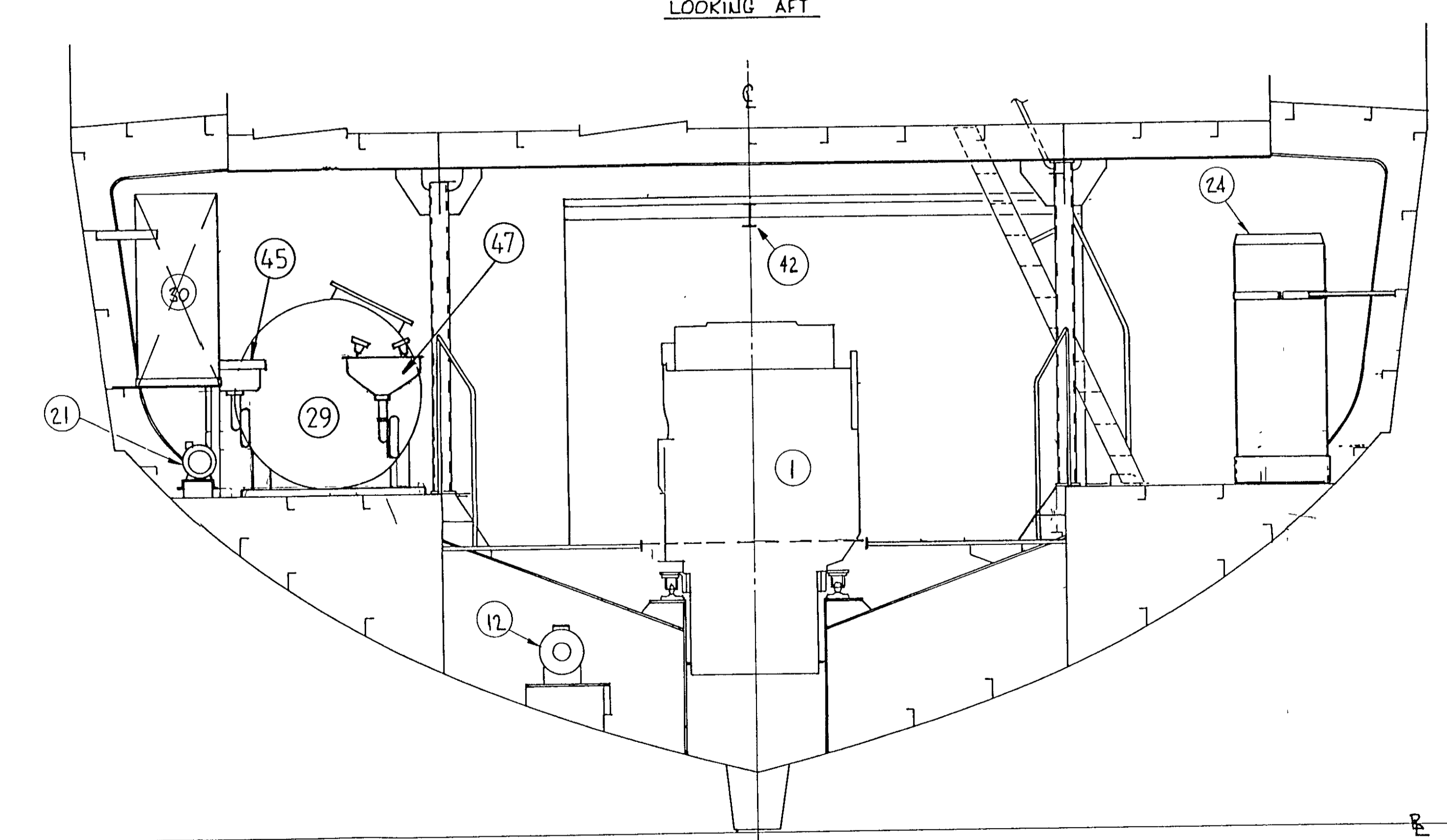
Government of Canada	Fisheries and Oceans	
Ship Branch	Ottawa	
PROJECT EPV. ARROW POST		
DRAWING MACHINERY ARRANGEMENT		
date JULY/92	scale 1:25	dwg no H93-51
drawn by K.K.	checked by R.C.	sheet 1 of 2 revision no .A.



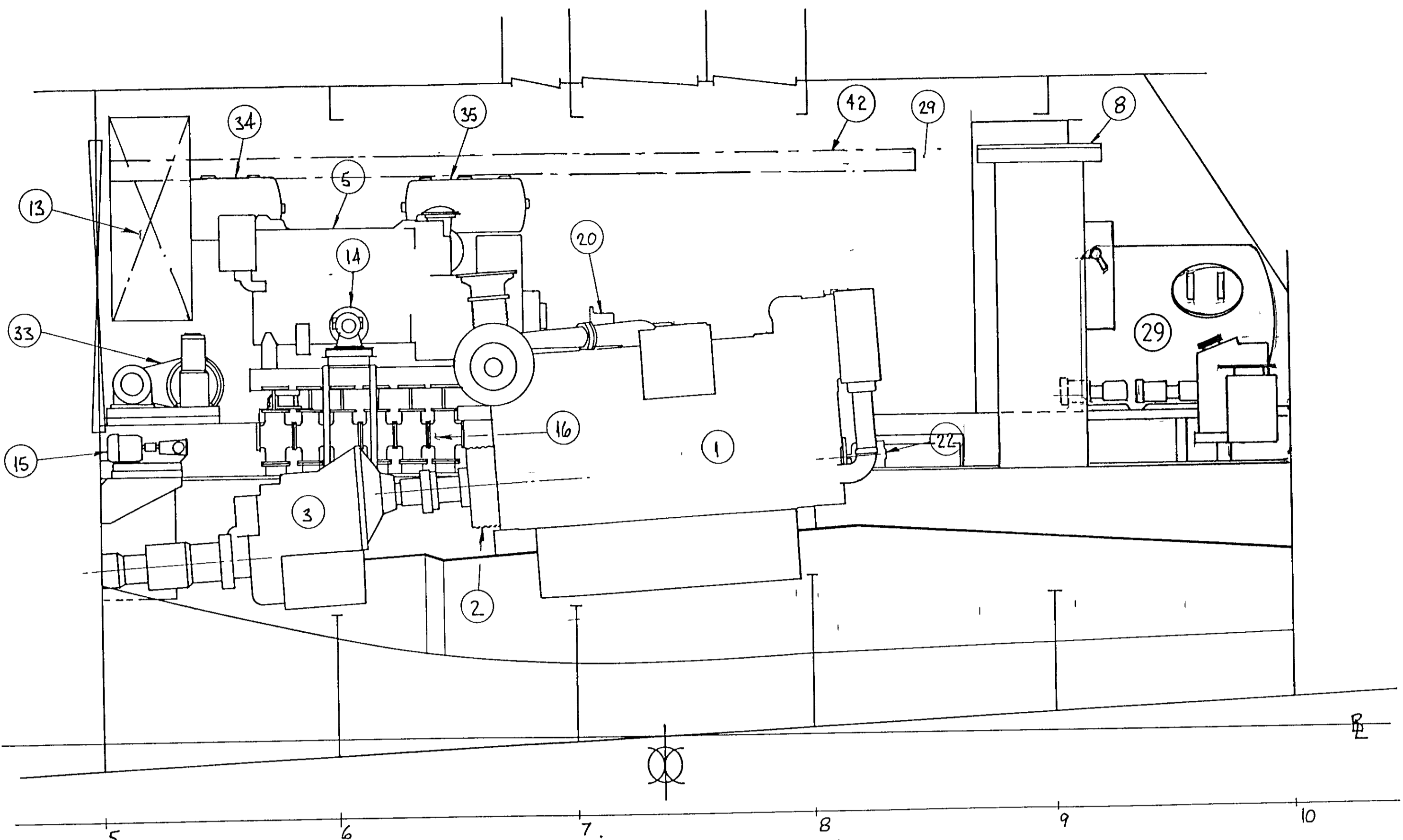
FRAME 5  
LOOKING AFT



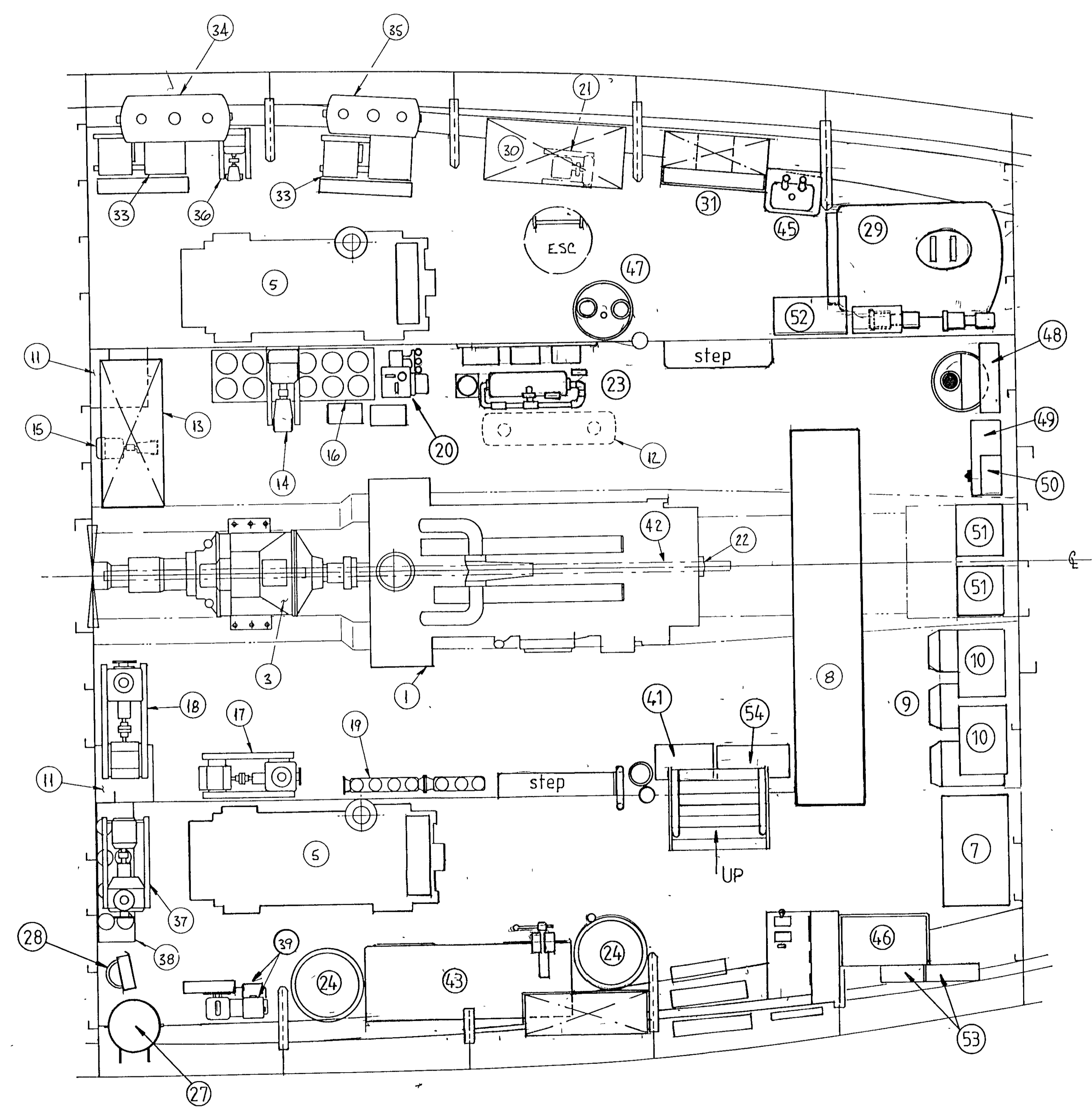
FRAME 7 1/2  
LOOKING AFT



FRAME 7 1/2  
LOOKING FORWARD



ELEVATION ON CENTERLINE



PLAN

8

7

6

5

4

3

2

1

8

7

6

5

4

3

2

1