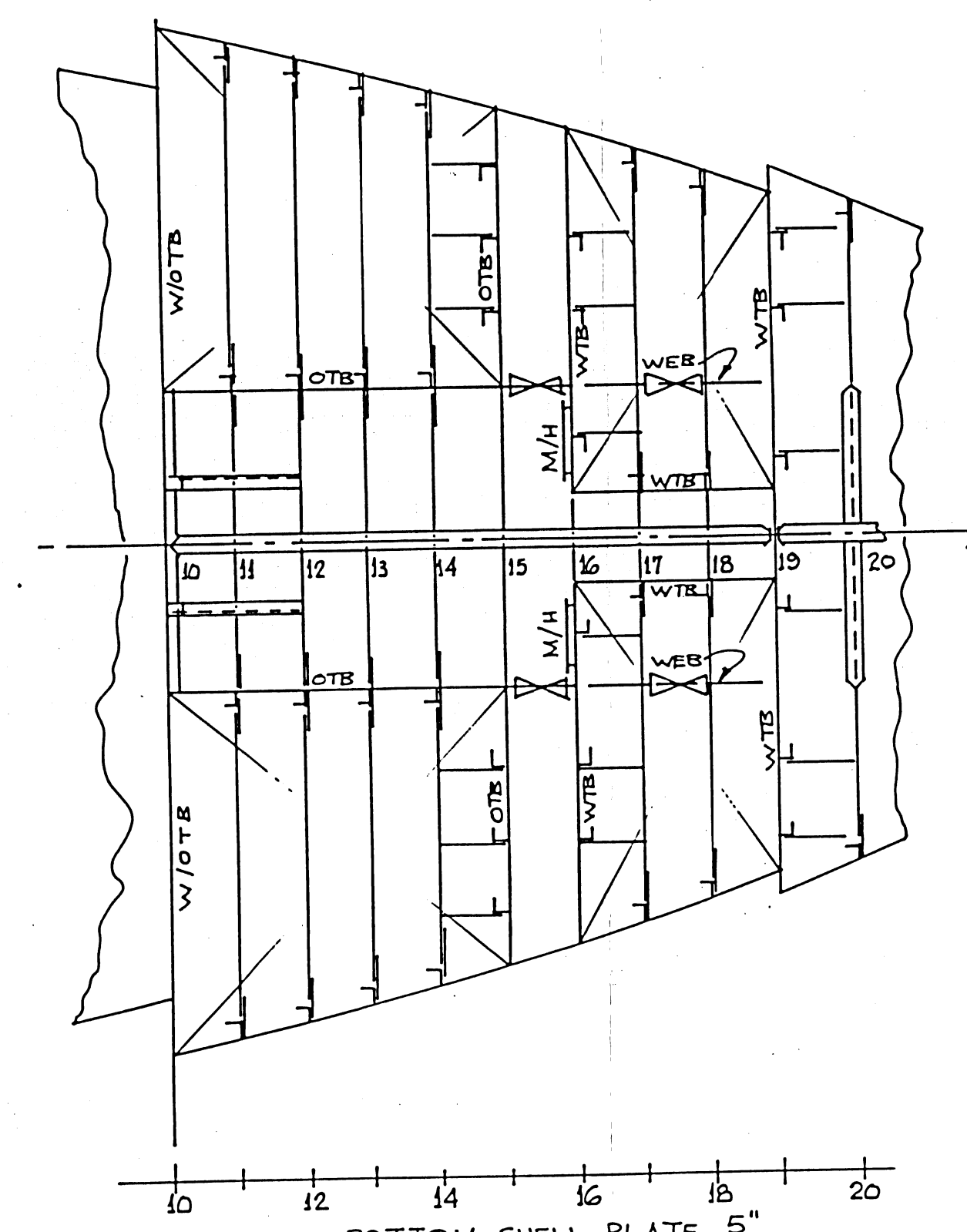
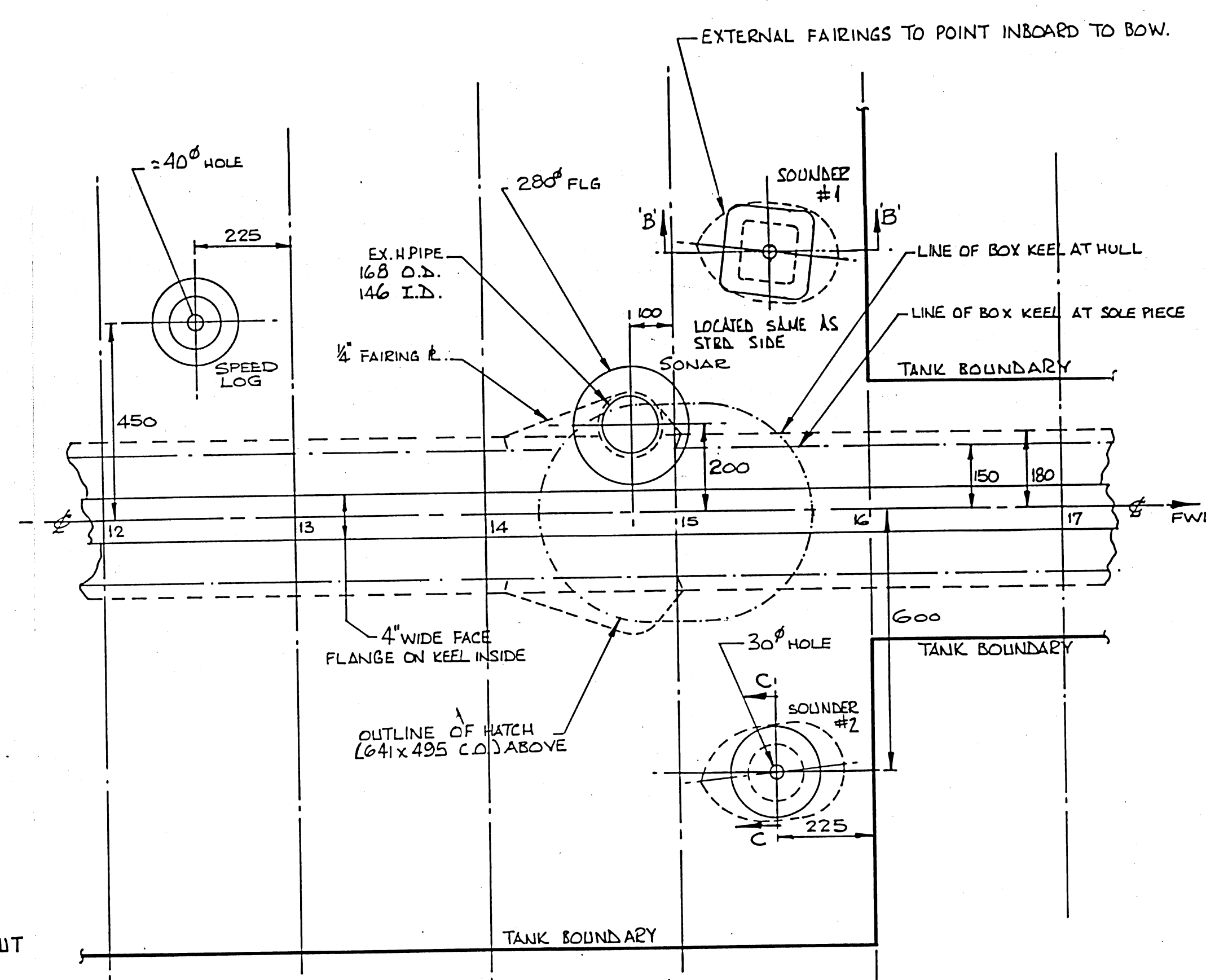
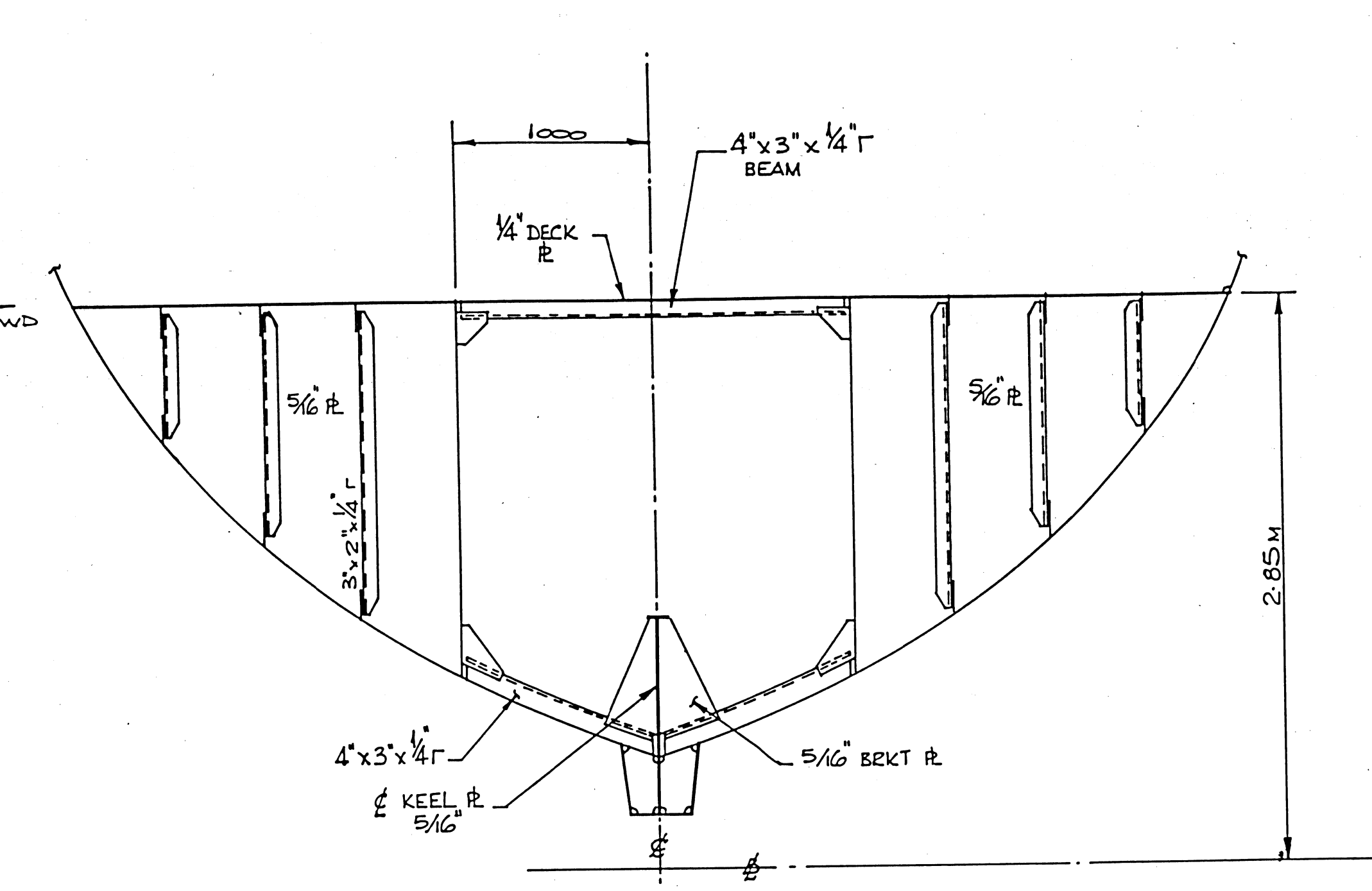


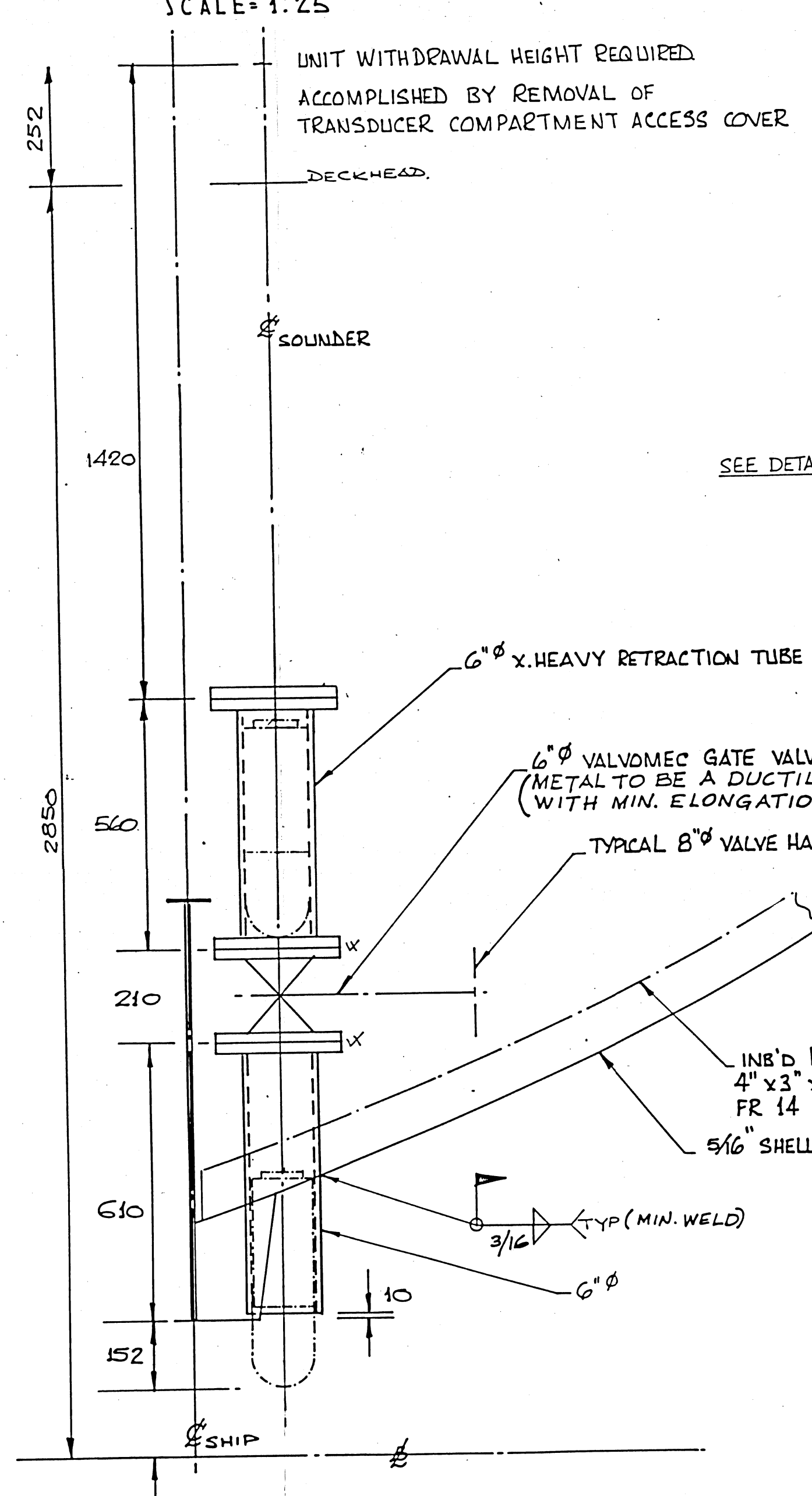
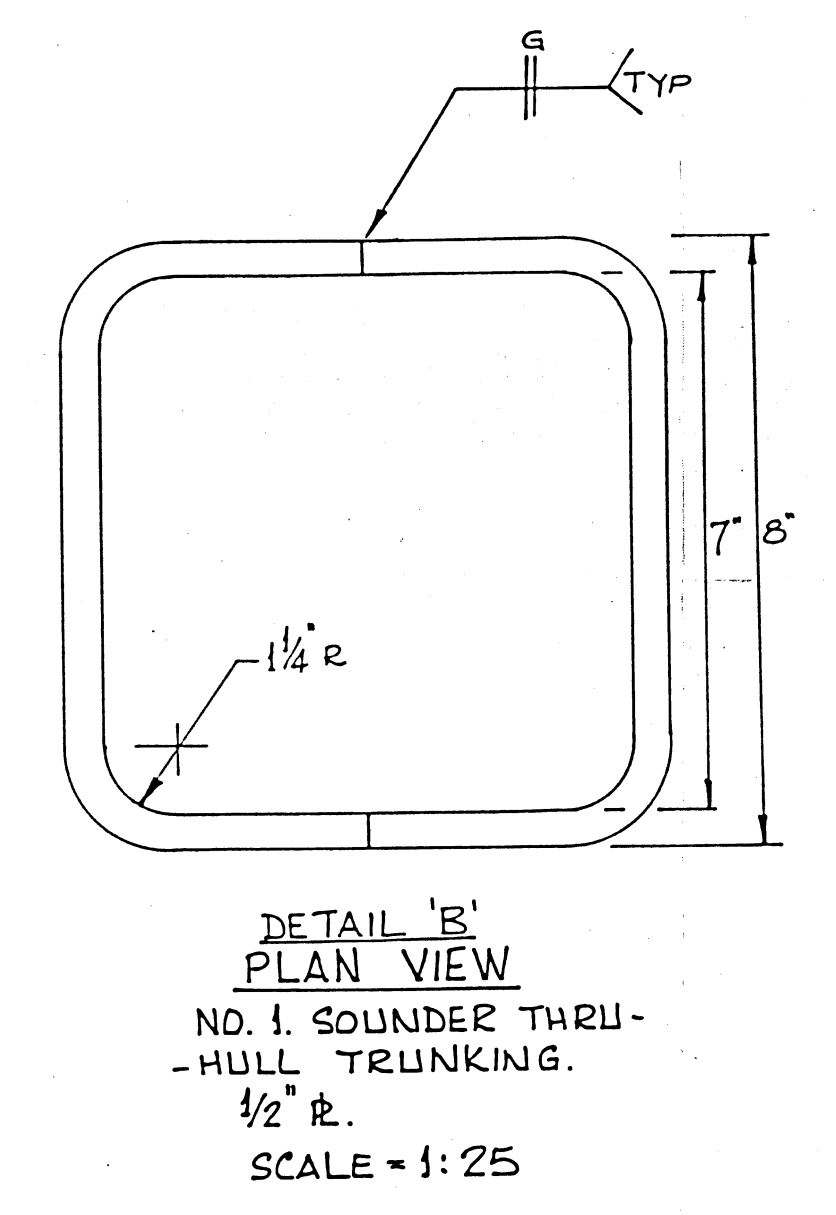
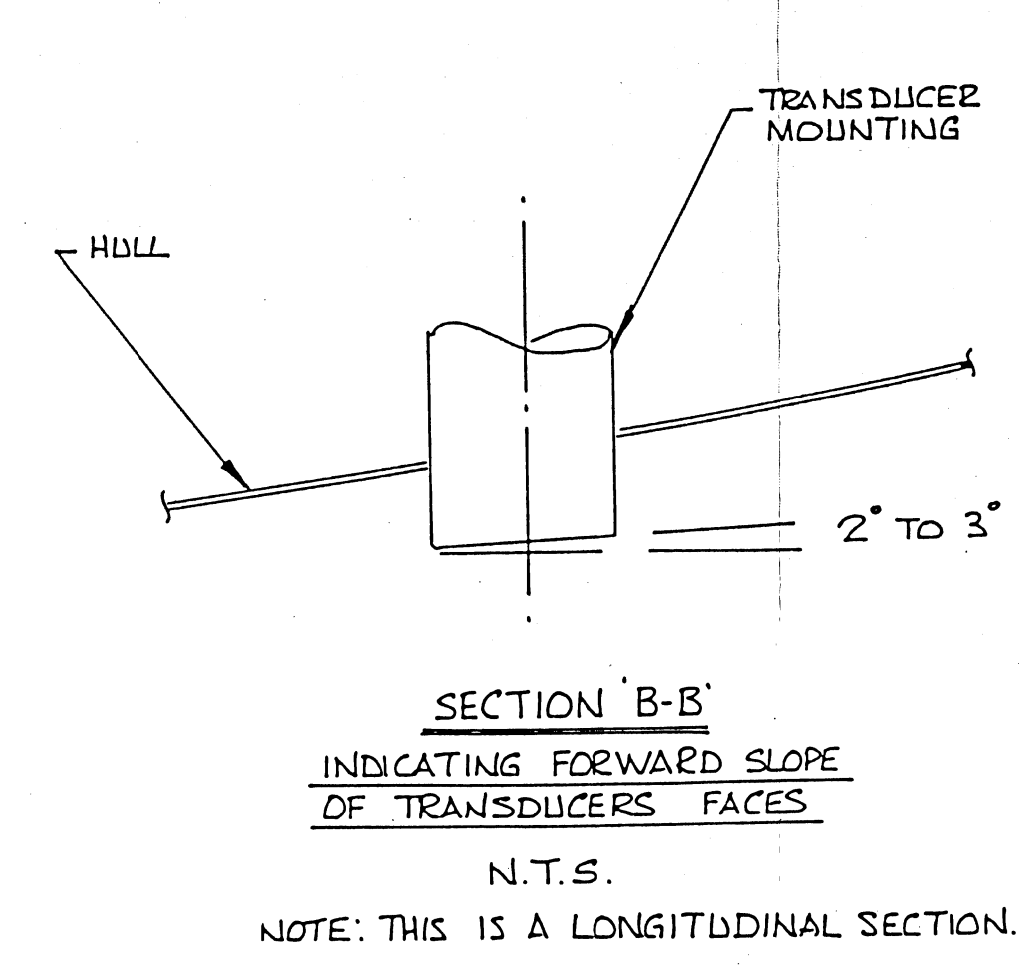
REVISIONS LIST		
NO.	DATE	REVISION



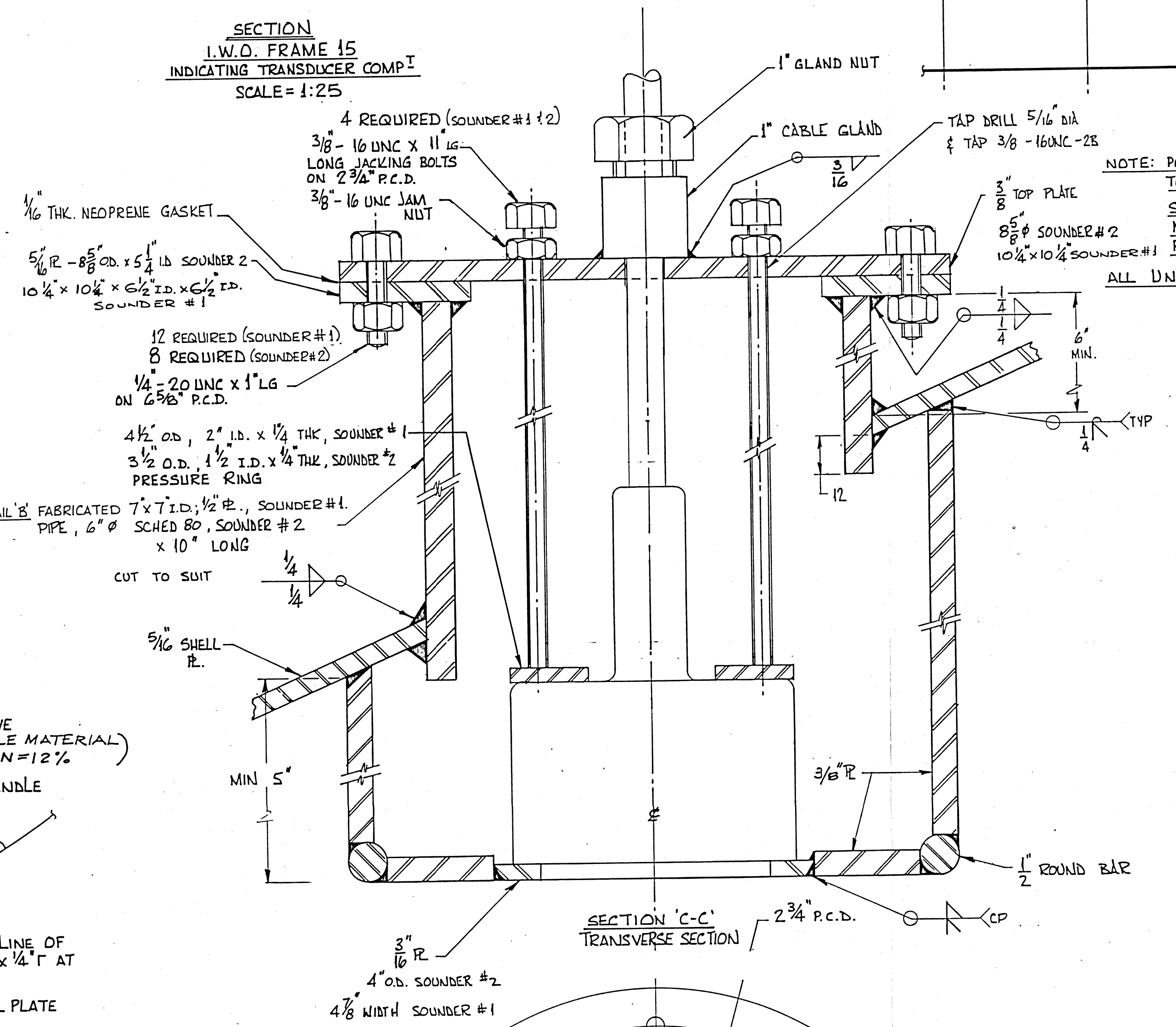
SECTION I.W.O. FRAME 15
INDICATING TRANSDUCER COMP. I
SCALE = 1:25



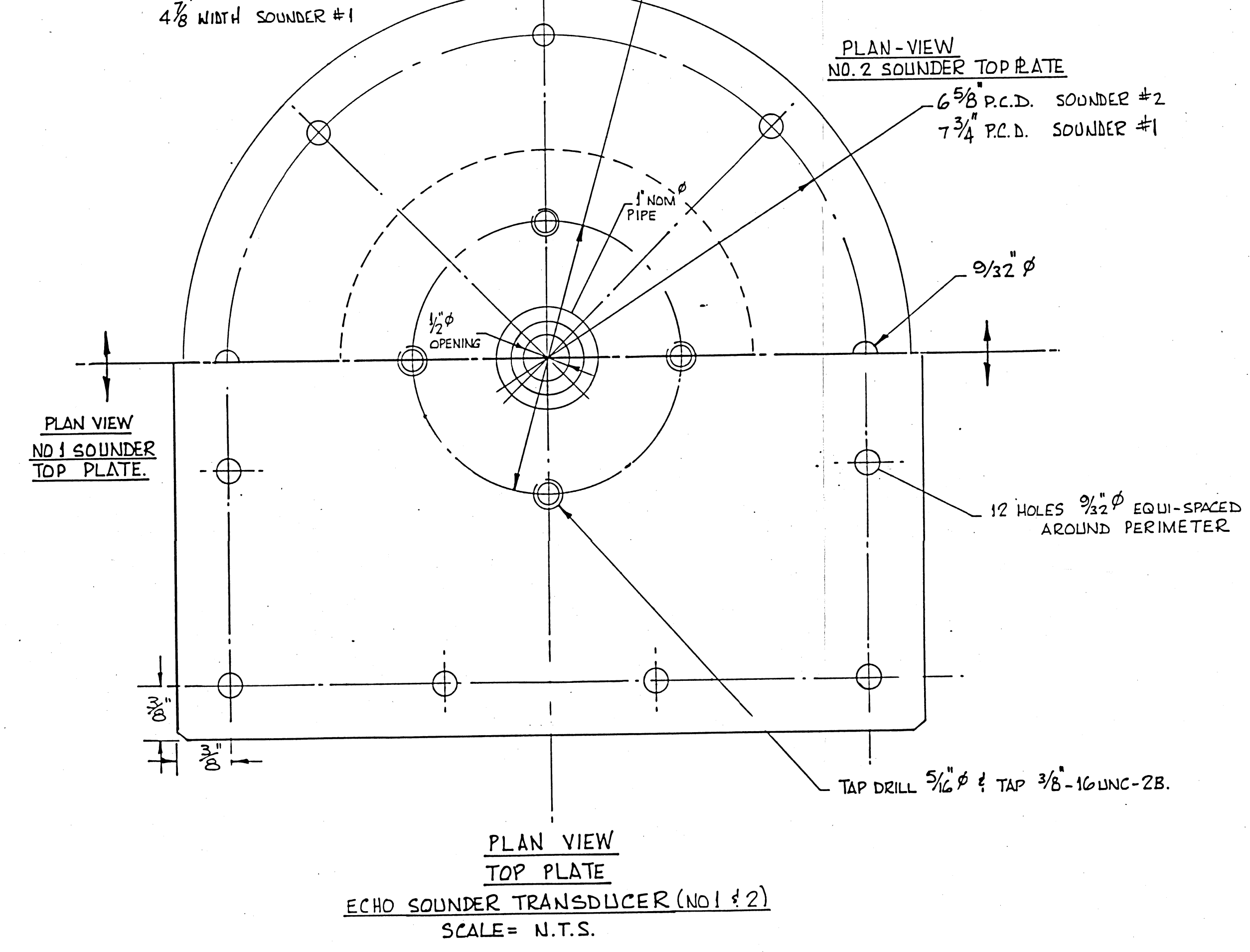
THROUGH-HULL FITTINGS
NOTE: PORT SIDE - FAIRING PLATES ARE TANGENTIAL TO SONAR PIPE & WELDED TO SONAR PIPE.
STBD SIDE - AN IDENTICAL FAIRING IS TO BE MADE BUT WITHOUT INCORPORATING ANY PIPE IN ITS CONSTRUCTION.
ALL UNITS MOUNTED VERTICALLY
SCALE = 1:10



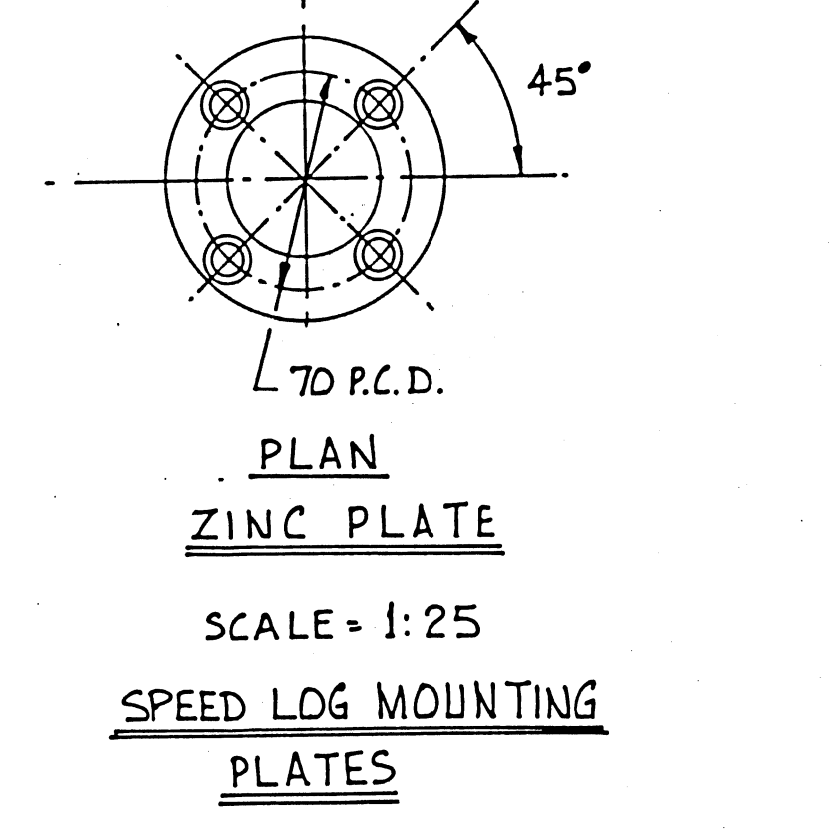
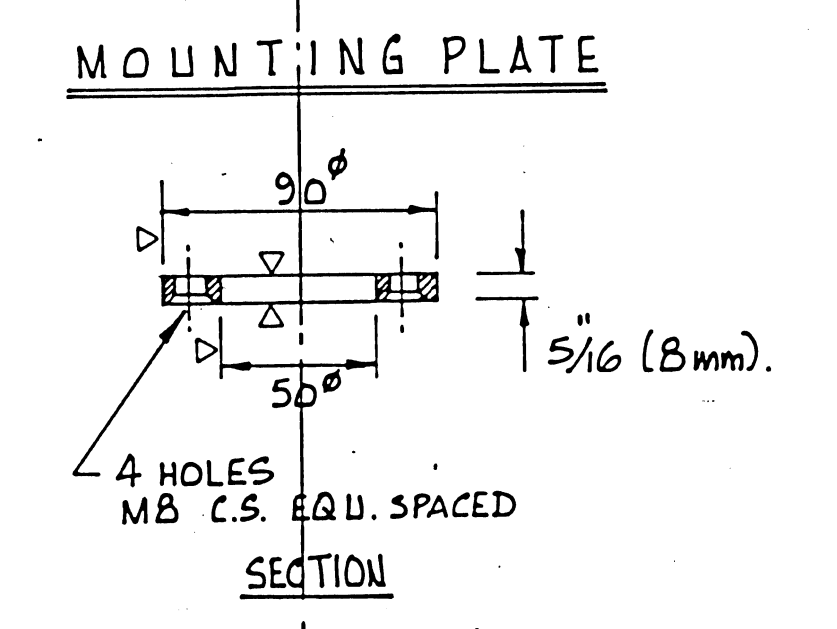
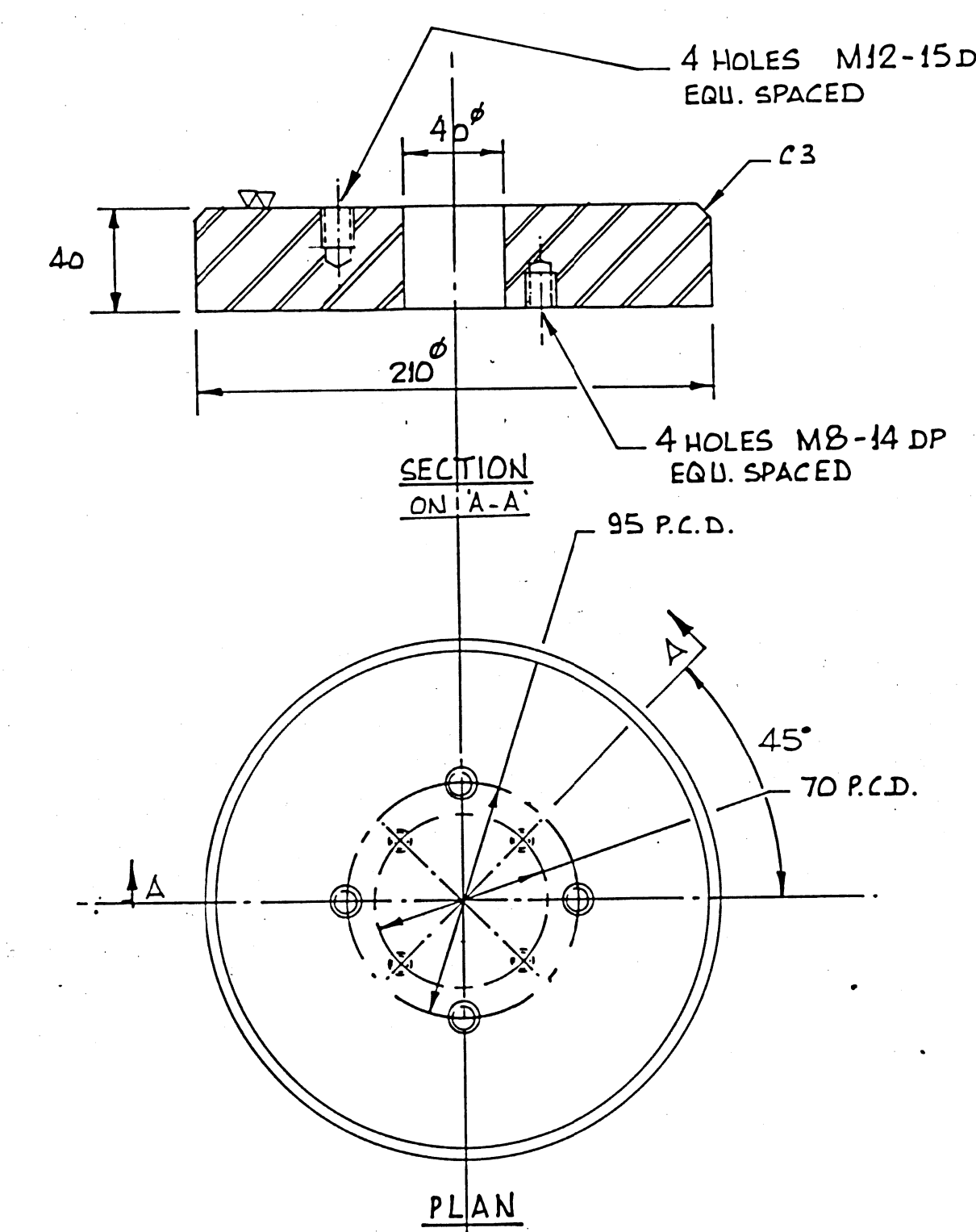
SECTION I.W.O. FR 15
INDICATING RANGE OF VERTICAL MOVEMENT OF SONAR TRANSDUCER
X INDICATES ASA 150 FLANGES.
SCALE = 1:10



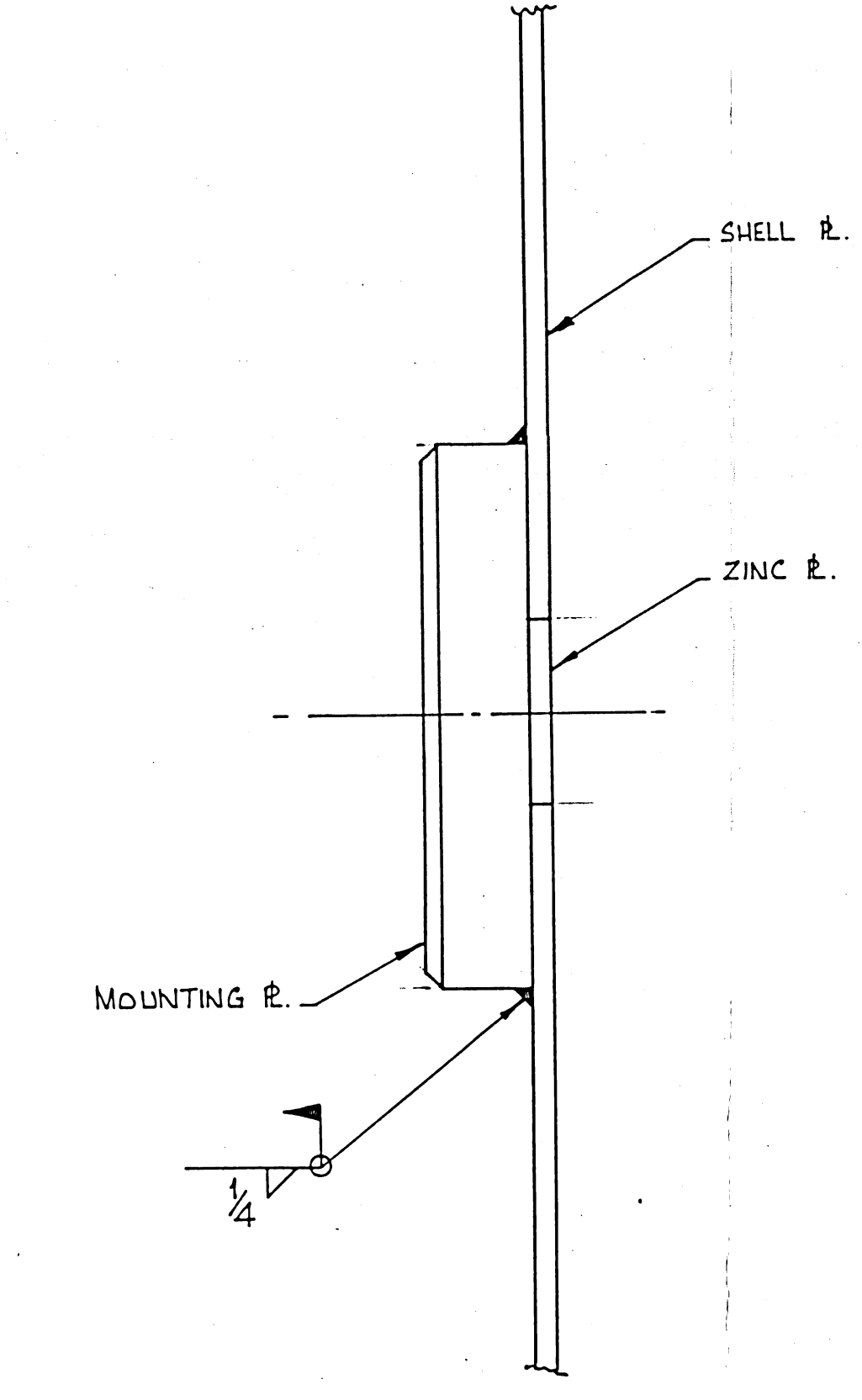
SECTION C-C
TRANSVERSE SECTION
SCALE = 1:25



PLAN VIEW TOP PLATE
ECHO SOUNDER TRANSDUCER (NO. 1 & 2)
SCALE = N.T.S.



PLAN ZINC PLATE
SCALE = 1:25
SPEED LOG MOUNTING PLATES



SPEED LOG MOUNTING ARRANGEMENT
SCALE = 1:25.

Government of Canada Fisheries and Oceans
Ship Branch Ottawa

PROJECT
FRV. ARROW POST

DRAWING
TRANSDUCER ARRANGEMENT.

date JULY/92 scale As Noted. dwg no H93-62.
drawn by K.K. checked by R.C. sheet 1 of 1
revision no. B.

Canada

PETERS HATFIELD LTD.
NAVAL ARCHITECTS AND MARINE CONSULTANTS