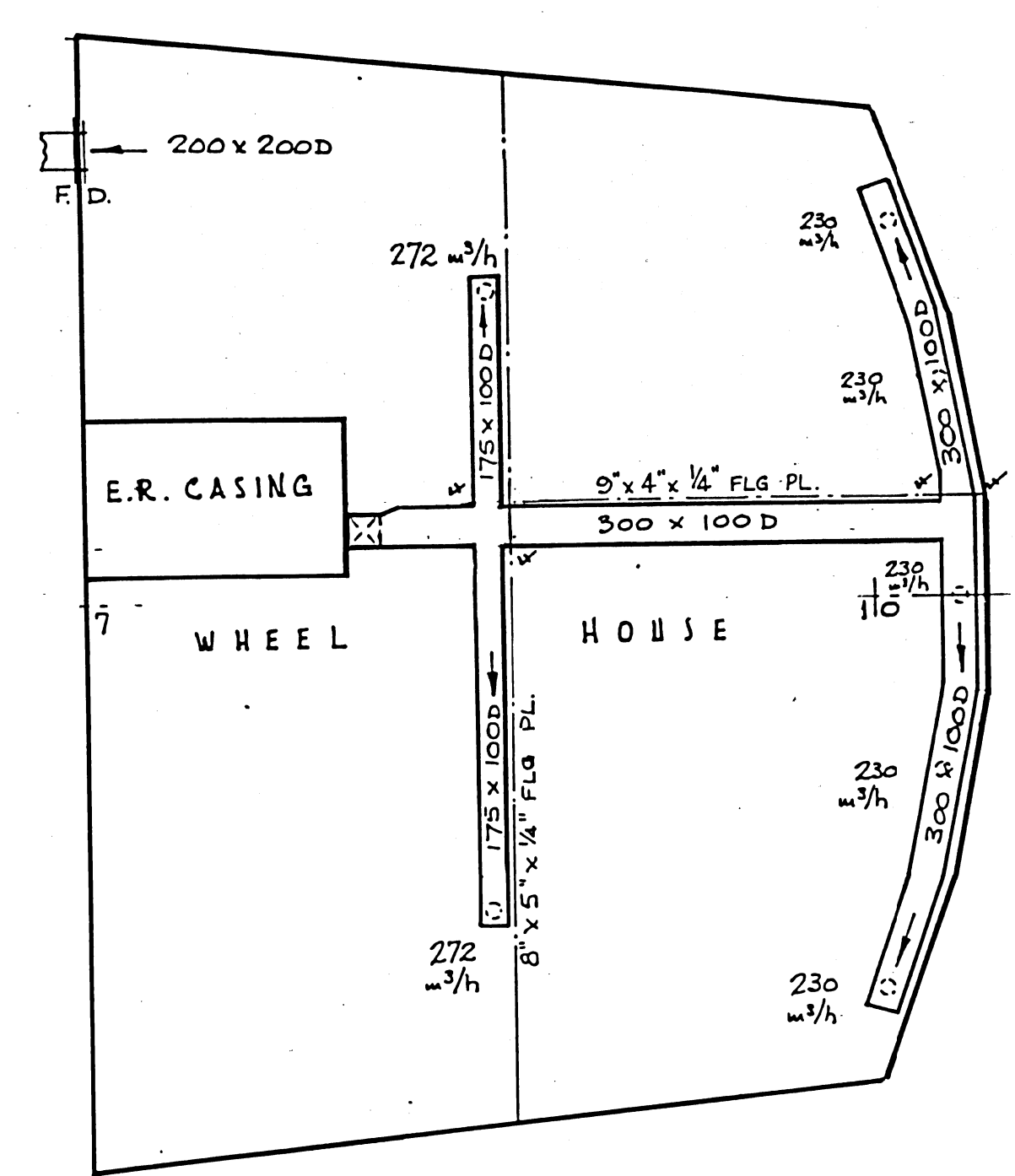
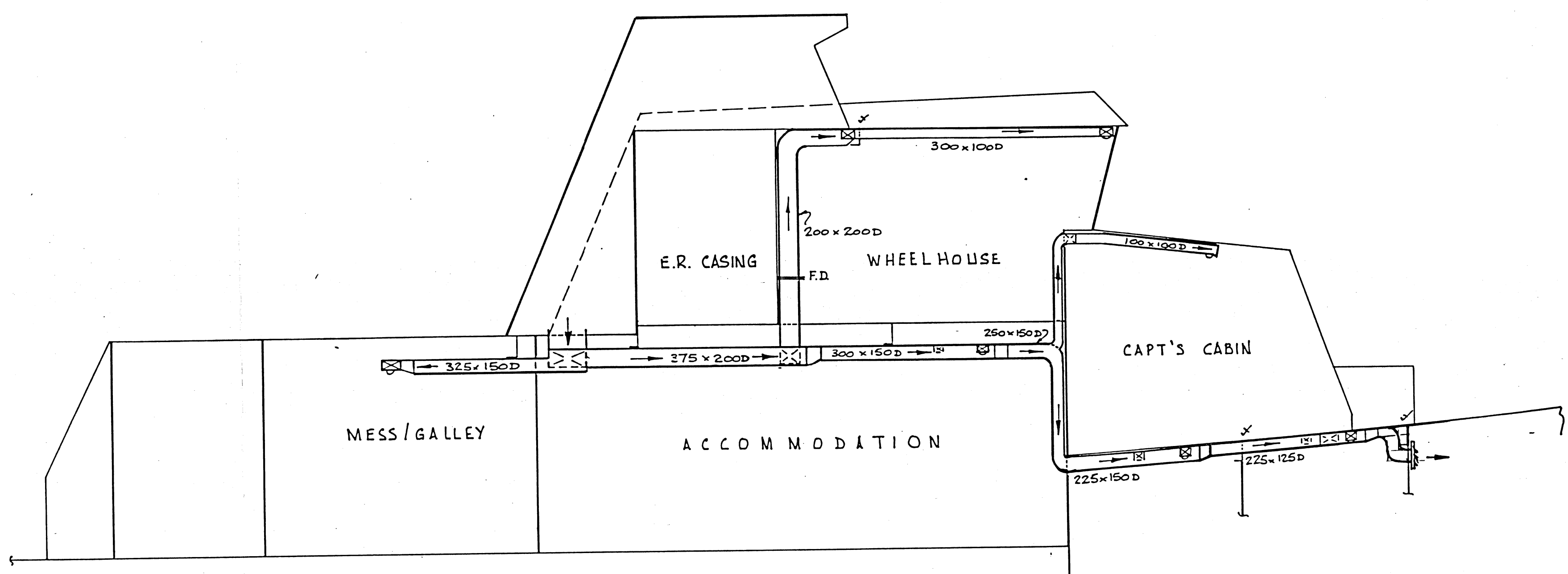


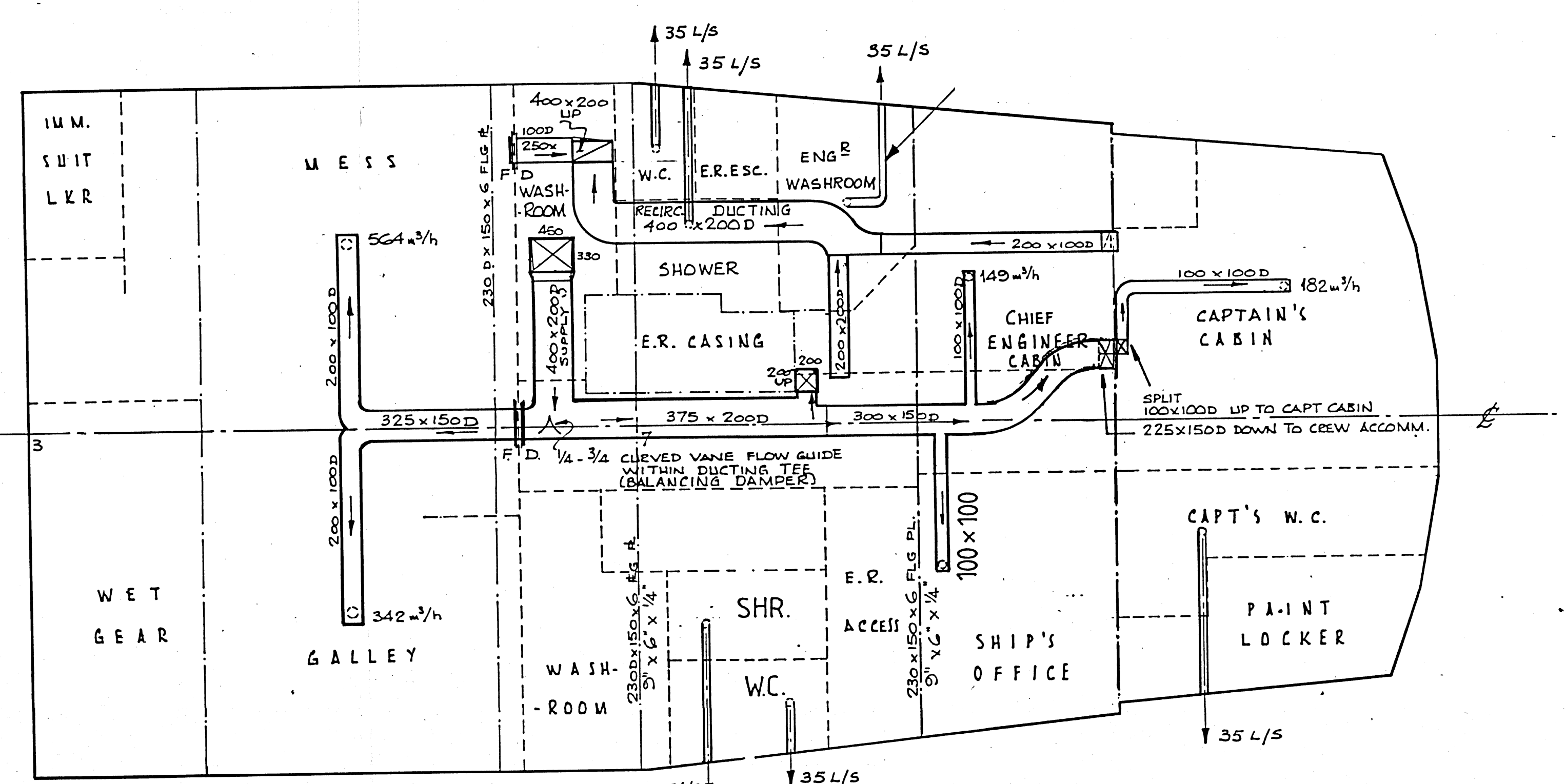
REVISION LIST		
NO	DATE	REVISION



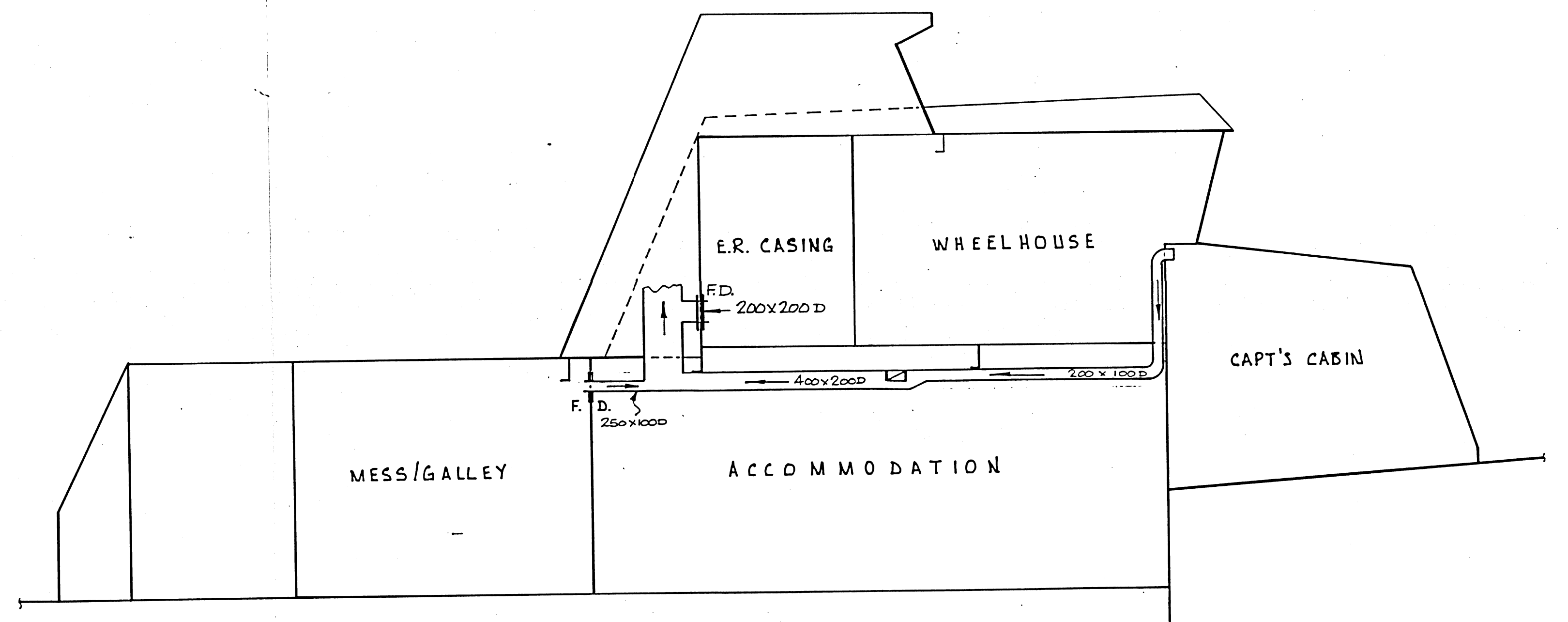
WHEEL HOUSE
INDICATING BOTH SUPPLY & RECIRC. DUCTING.



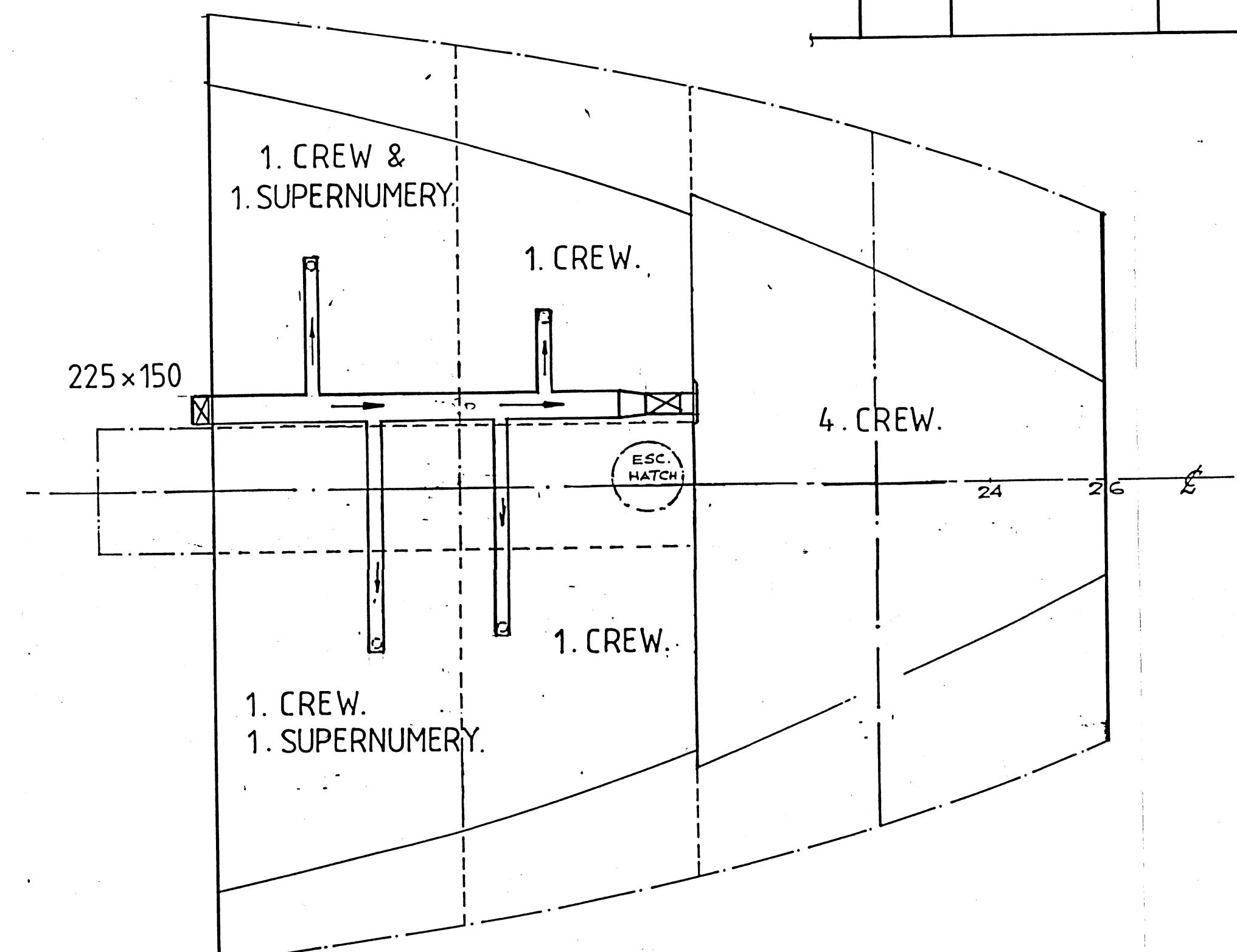
PROFILE
INDICATING SUPPLY AIR DUCTING
SCALE = 1:40



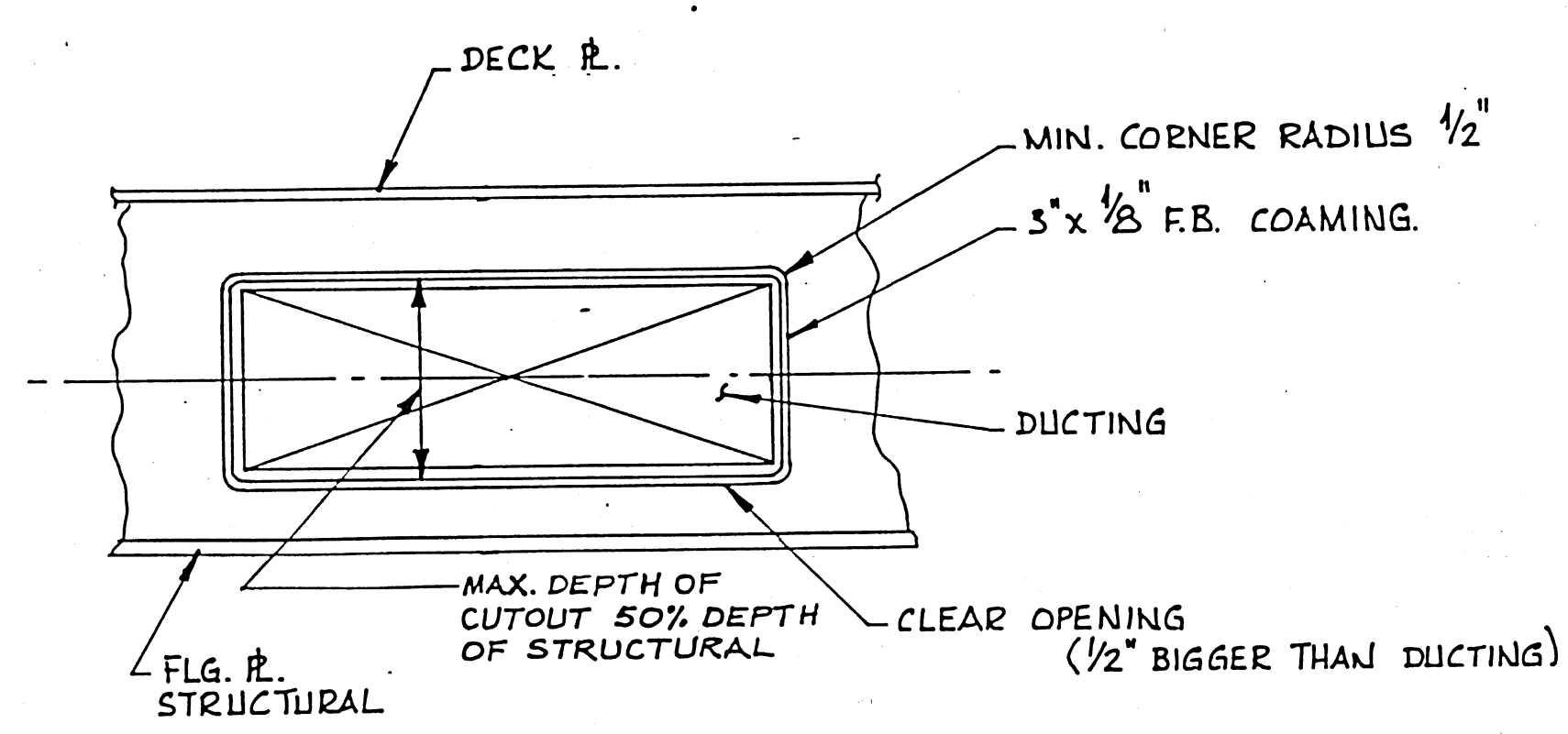
MAIN DECK CREW ACCOMMODATION
F.D. = FIRE DAMPER
V = VENTILATOR
S = SUPPLY RISER
R = RECIRC. (RETURN) RISER
200 x 150 D = 200mm x 150mm DEEP (8" x 6" DEEP)



PROFILE
INDICATING RECIRC. AIR DUCTING
SCALE = 1:40



PLAN-VIEW
DOMESTIC AIR DUCTING (SUPPLY & RECIRC)
SCALE = 1:40



ELEVATION
TYPICAL THROUGH-FRAME REINFORCEMENT
I.W.O. DUCTING
N.T.S.
POSITIONS INDICATED ABOVE BY ✓

REFERENCE DRAWINGS		
No.	TITLE	DWG No.
1	INTERIOR & EXTERIOR DOOR & WINDOW SCHEDULE	H93-20

Government of Canada
Fisheries and Oceans
Ship Branch
Ottawa

PROJECT
FPV. ARROW POST
DRAWING
ACCOMMODATION AIR DUCTING
SUPPLY & RETURN.

date JULY/92 scale As Noted. dwg no H93-60
drawn by K.K. checked by R.C. sheet 1 of 1
revision no .C.

Canada
HOLK METAL PRODUCTS and SHIPBUILDING LTD.
PETER SHATTIELD LTD. NAVAL ARCHITECTS AND MARINE CONSULTANTS