



National Defence

Défense nationale

National Defence Headquarters
Ottawa, Ontario
K1A 0K2

Quartier général de la Défense nationale
Ottawa (Ontario)
K1A 0K2

**REQUEST FOR PROPOSAL
DEMANDE DE PROPOSITION**

**RETURN BIDS TO:
RETOURNER LES SOUMISSIONS À:**

Bid Receiving Mailbox – Réception des soumissions

Email – Courriel : DLP53BidsReceiving.DAAT53
Receptiondessoumissions@forces.gc.ca

Proposal To: National Defence Canada

We hereby offer to sell to Her Majesty the Queen in right of Canada, in accordance with the terms and conditions set out herein, referred to herein or attached hereto, the goods and services listed herein and on any attached sheets at the price(s) set out therefore.

Proposition à : Défense nationale Canada

Nous offrons par la présente de vendre à Sa Majesté la Reine du chef du Canada, aux conditions énoncées ou incluses par référence dans la présente et aux annexes ci-jointes, les biens et services énumérés ici et sur toute feuille ci-annexée, au(x) prix indiqué(s).

Solicitation Closes – L’invitation prend fin

At – à: 2:00 PM EST – Eastern Standard Time –
Heure normale de l’est
On – le: December 20, 2022 – Décembre 20, 2022

Title/Titre MSVS Jerry Cans
SVSM Bidon, Bouchon à Vis
Solicitation No – N° de l’invitation W8486-238945/A Amendment 002
Date of Amendment – Date de Modification November 17, 2022 – 17 novembre, 2022
Address Enquiries to – Adresser toutes questions à National Defence Headquarters 101 Colonel By Dr Ottawa, Ontario K1A 0K2 Attn: DLP 5-2-1
Email – Courriel Tanya.mckenzie@forces.gc.ca
Destination Specified Herein Précisé dans les présentes

Instructions:

Municipal taxes are not applicable. Unless otherwise specified herein all prices quoted must include all applicable Canadian customs duties, GST/HST, excise taxes and are to be delivered Delivery Duty Paid including all delivery charges to destination(s) as indicated. The amount of the Goods and Services Tax/Harmonized Sales Tax is to be shown as a separate item.

Instructions:

Les taxes municipales ne s’appliquent pas. Sauf indication contraire, les prix indiqués doivent comprendre les droits de douane canadiens, la TPS/TVH et la taxe d’accise. Les biens doivent être livrés « rendu droits acquittés », tous frais de livraison compris, à la ou aux destinations indiquées. Le montant de la taxe sur les produits et services/taxe de vente harmonisée doit être indiqué séparément.

Delivery Required – Livraison exigée See Herein	Delivery Offered – Livraison proposée
Vendor Name and Address – Raison sociale et adresse du fournisseur	
Name and title of person authorized to sign on behalf of vendor (type or print) – Nom et titre de la personne autorisée à signer au nom du fournisseur (caractère d’imprimerie)	
Name / Nom	_____
Title / Titre	_____
Signature	_____
Date	_____

Amendment 002

This amendment is raised to respond to questions.

Question 1: Is there a set of exact specifications available for the Jerry Cans?

Response 1: Please see drawings attached herein.

All other terms and conditions remain unchanged.

Modification 002

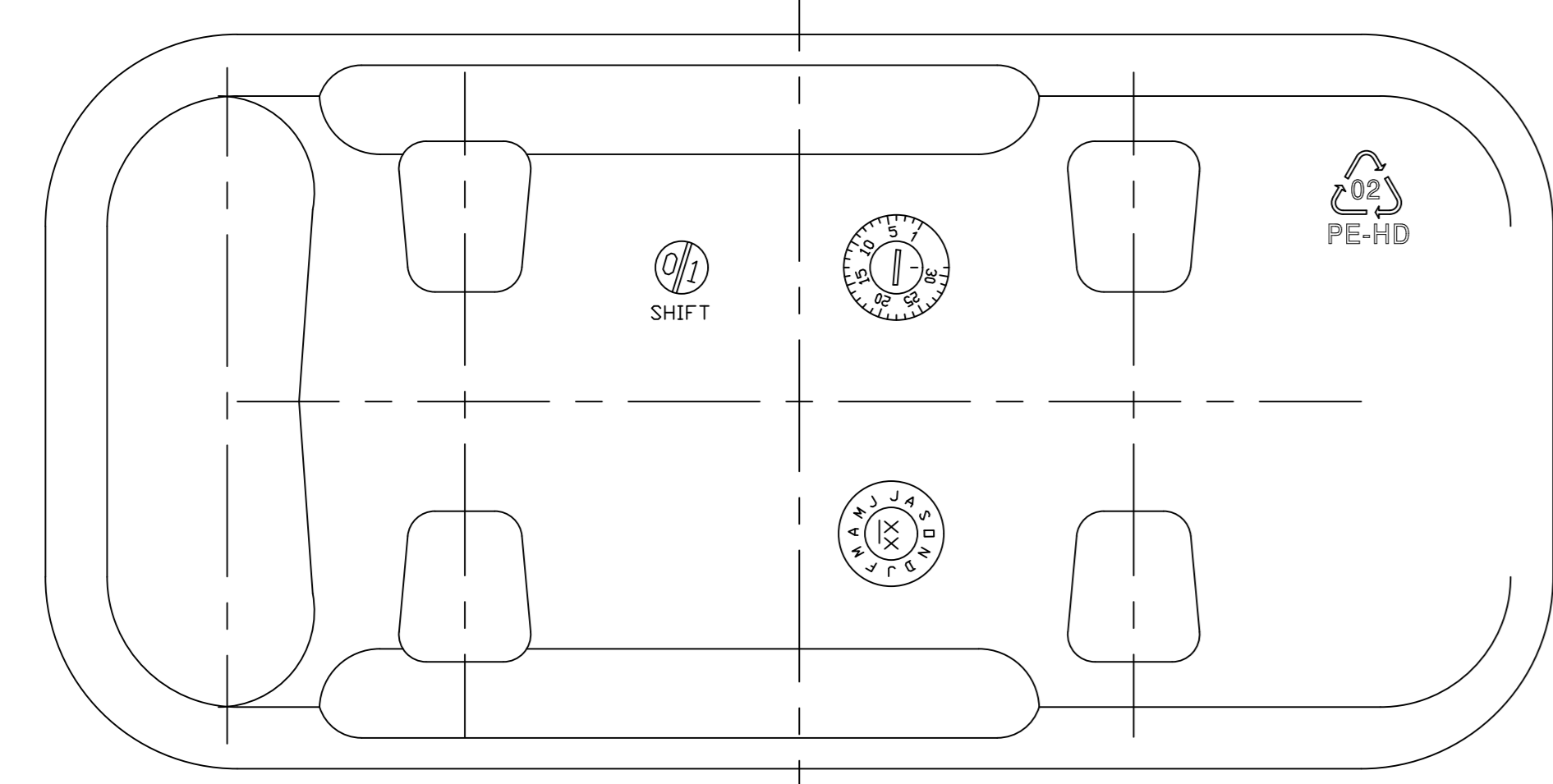
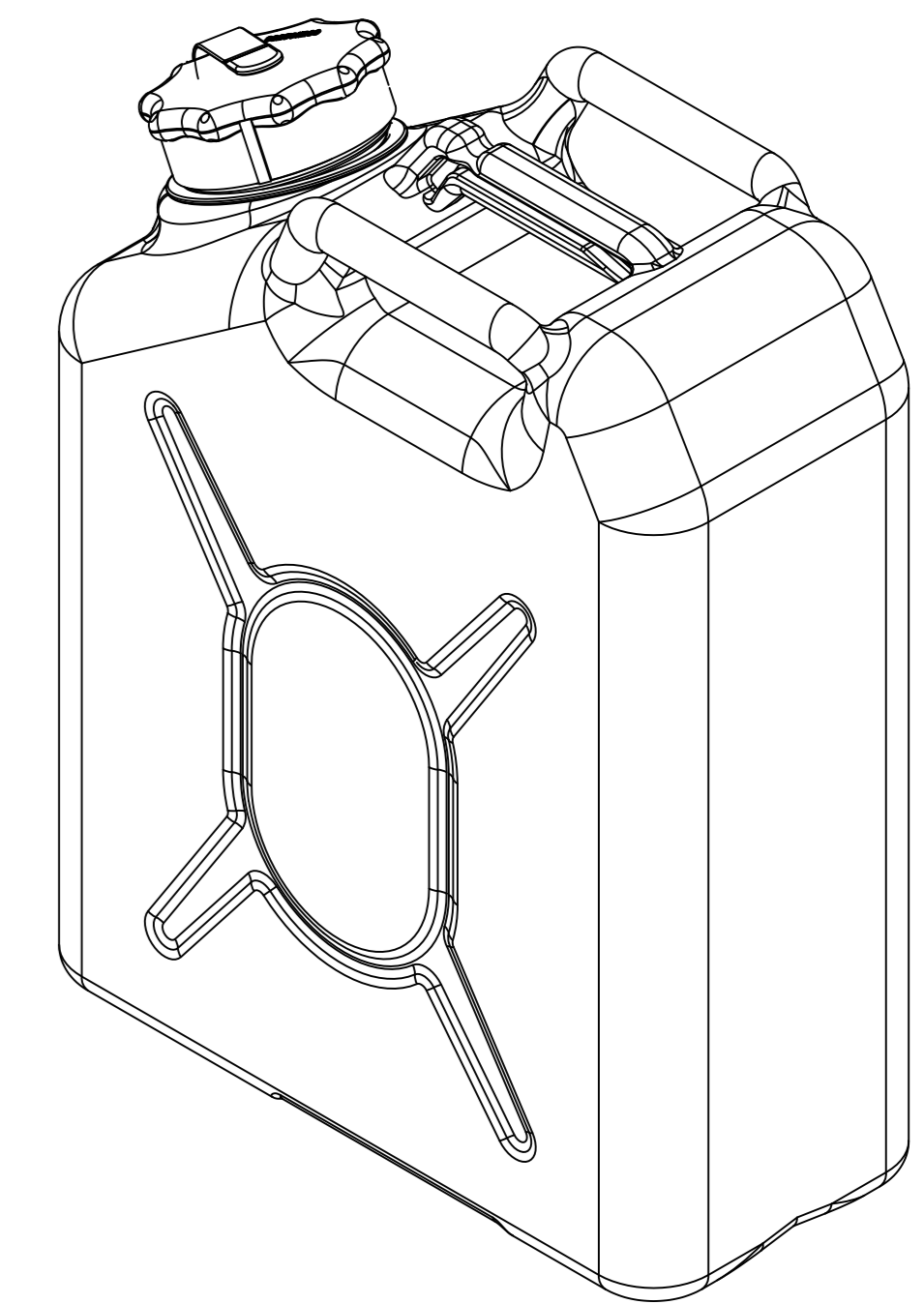
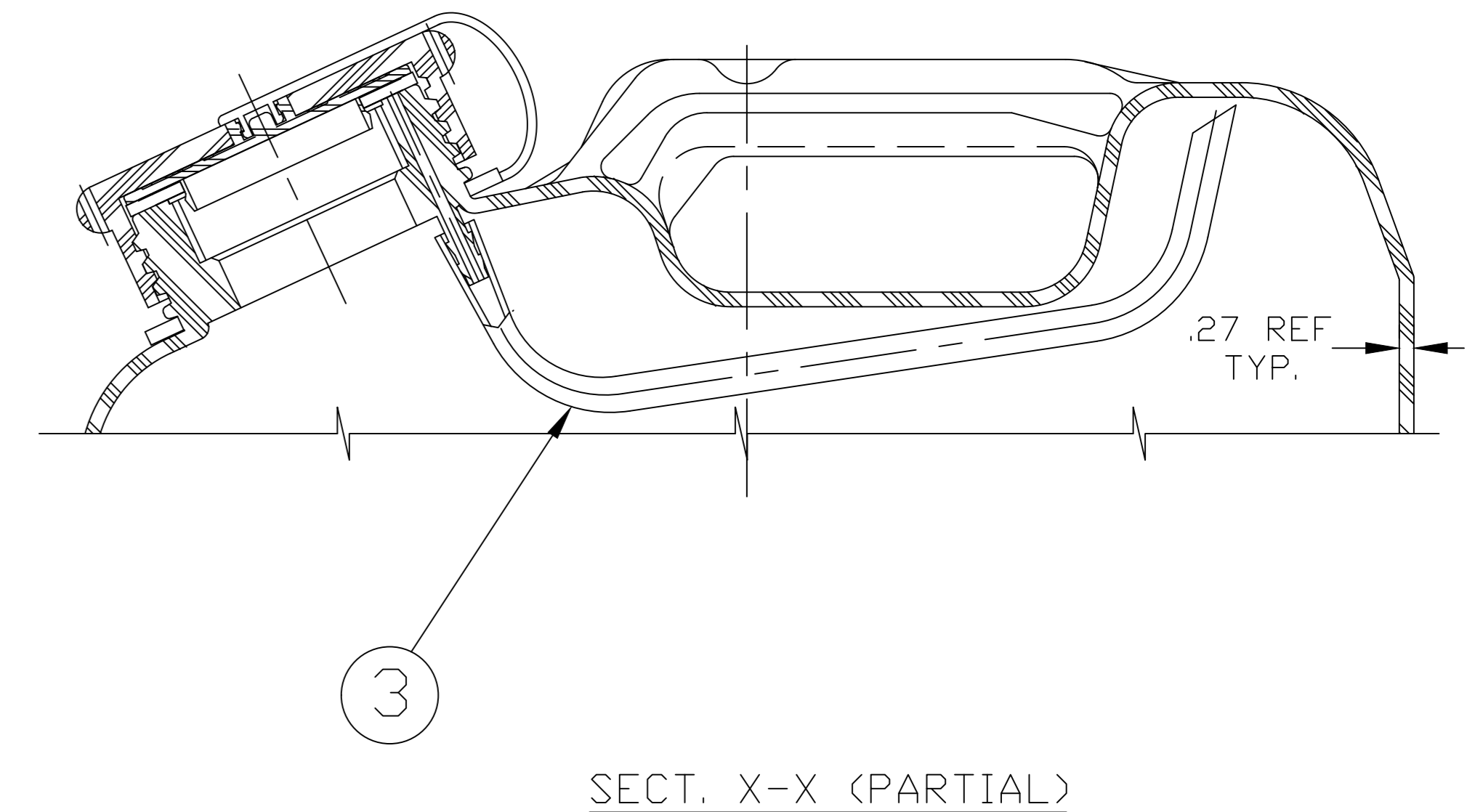
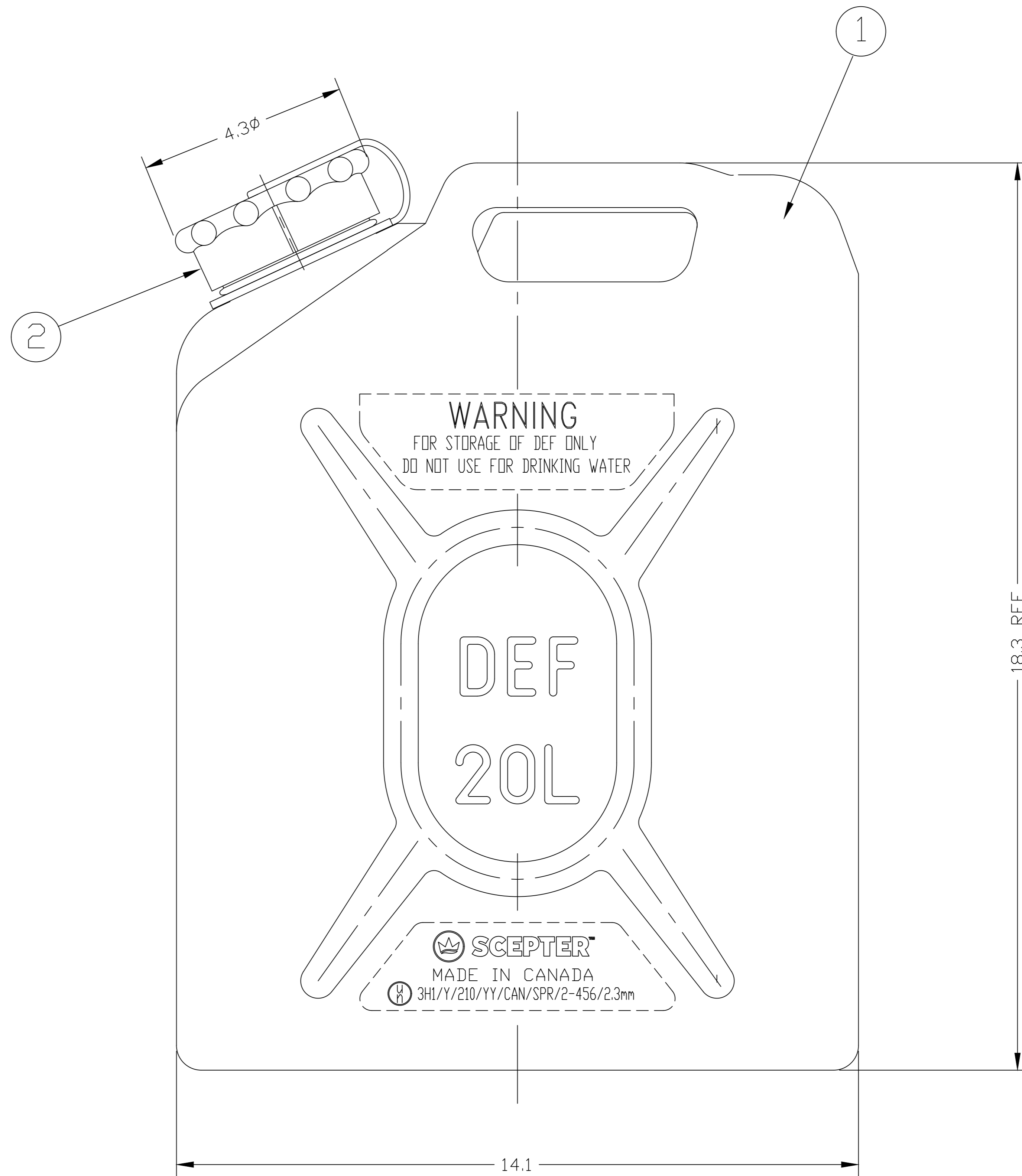
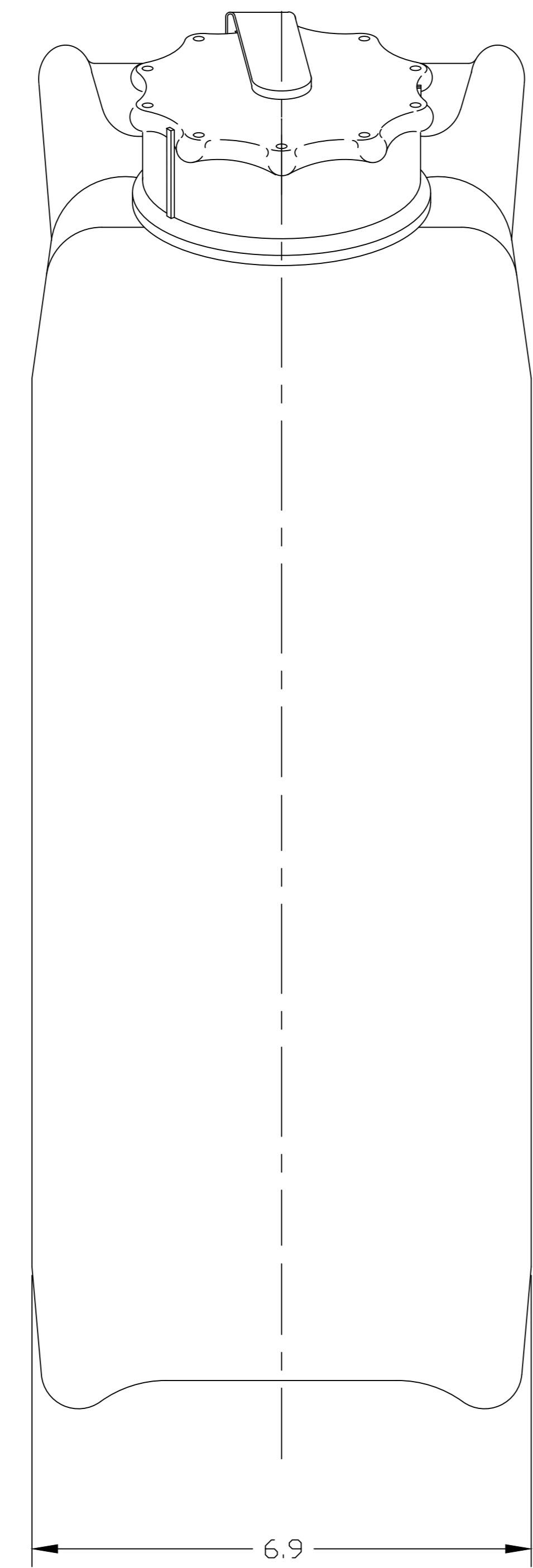
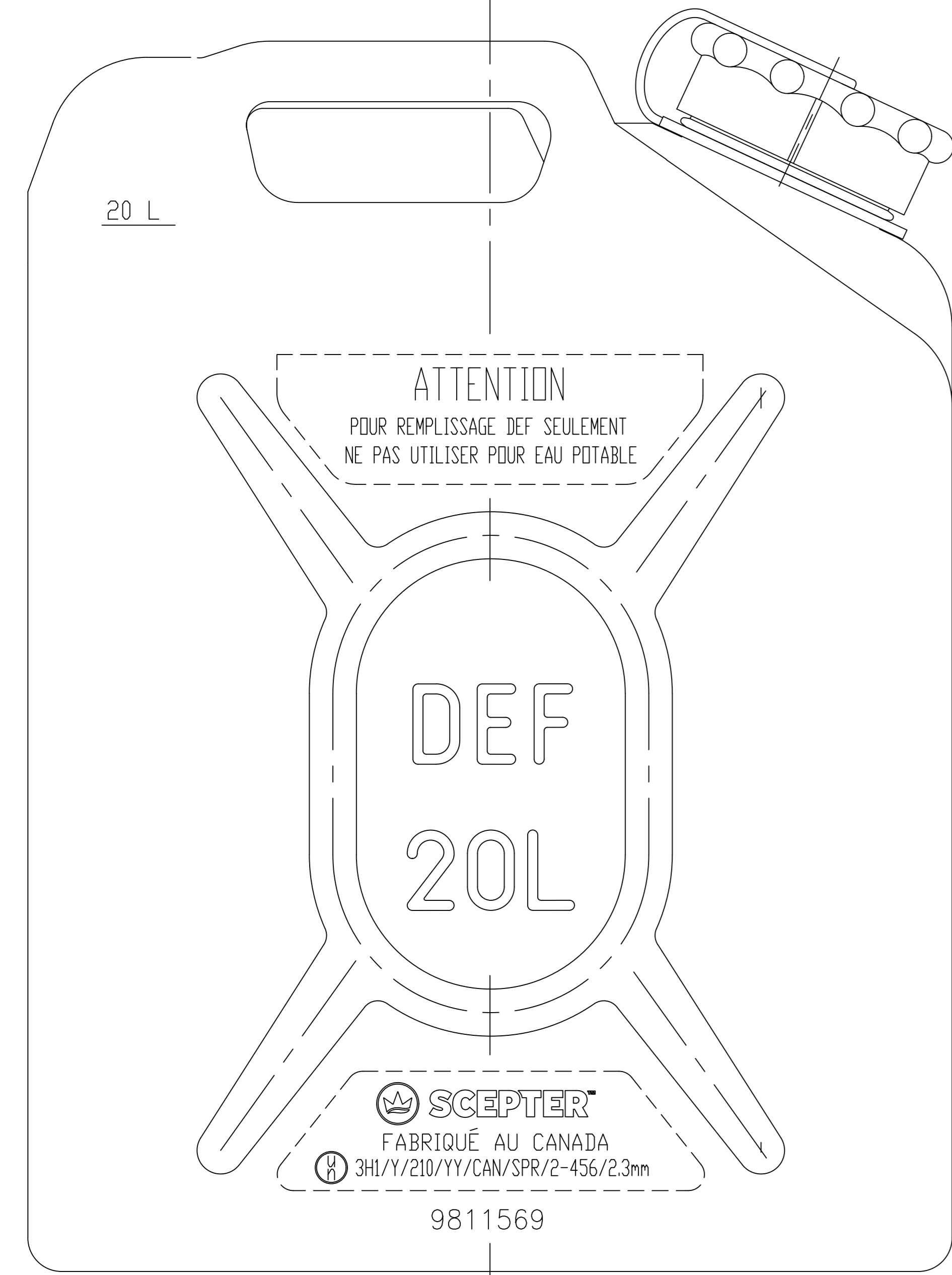
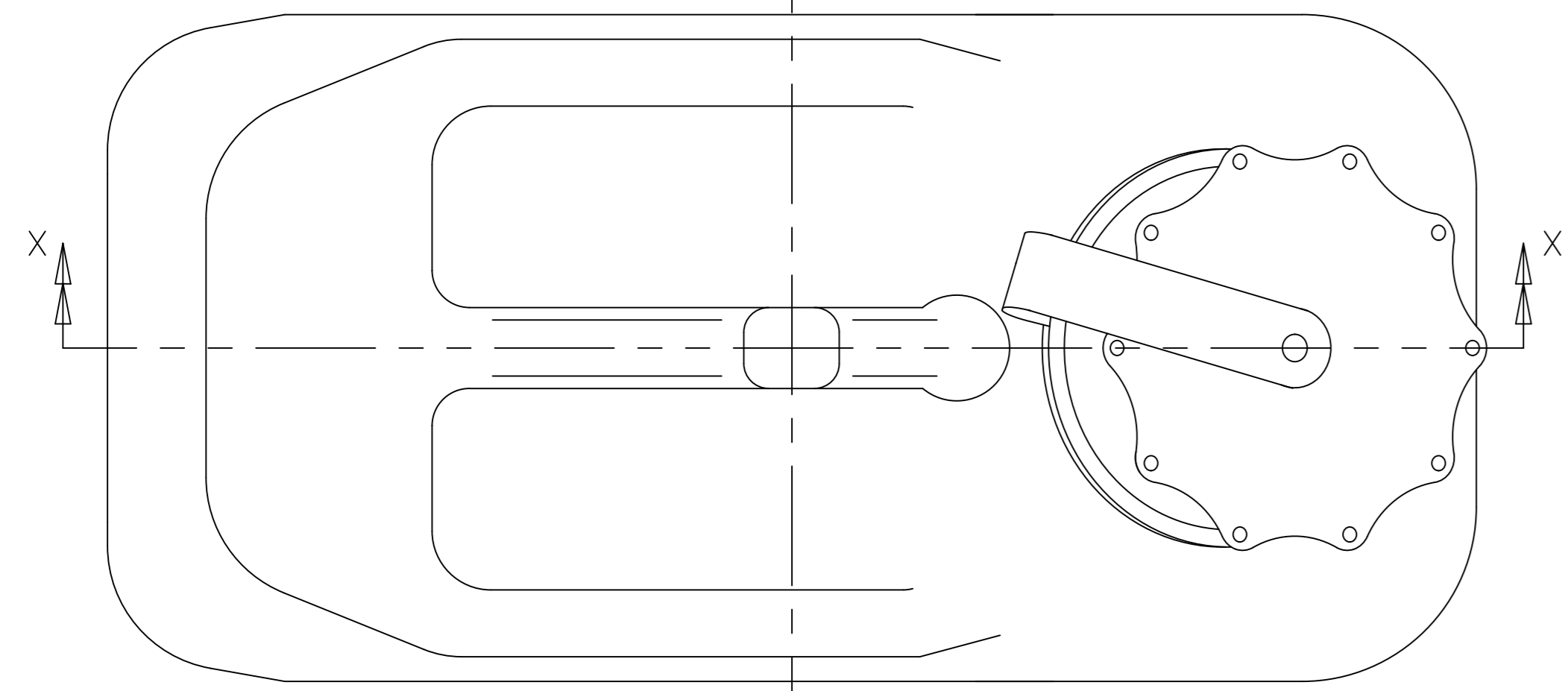
Cette modification est proposé pour répondre aux questions.

Question 1 : Existe-t-il un ensemble de spécifications exactes disponibles pour les Bidon?

Réponse 1 : Veuillez consulter les dessins ci-joints.

Tous les autres termes et conditions demeurent inchangées.

QTY QTÉ	NO. DE L'ART	IDENTIFYING NO. D'IDENTIFICATION	DESCRIPTION/NOMENCALTURE	SPECIFICATION	NSCM/CADF
1	1	9833011200	BODY		
1	2	9814011200	CAP ASSEMBLY		
1	3	9800000257	VENT TUBE		36976



- NOTES:**
- FOR ASSEMBLY, PUSH ITEM 3 ONTO SPIGOT EXTENDING INSIDE ITEM 1, PUSH CIRCULAR RING OF ITEM 2, OVER SPOUT OF ITEM 1, UNTIL IT SNAPS OVER FLANGE.
 - ITEM IN ACCORDANCE WITH SPEC. D-94-159-000/SF-001 AND A-A-59592B.
 - NSN 7240-21-899-8270
 - ITEM IN OLIVE DRAB WITH BLUE STRAP - P/N 11569

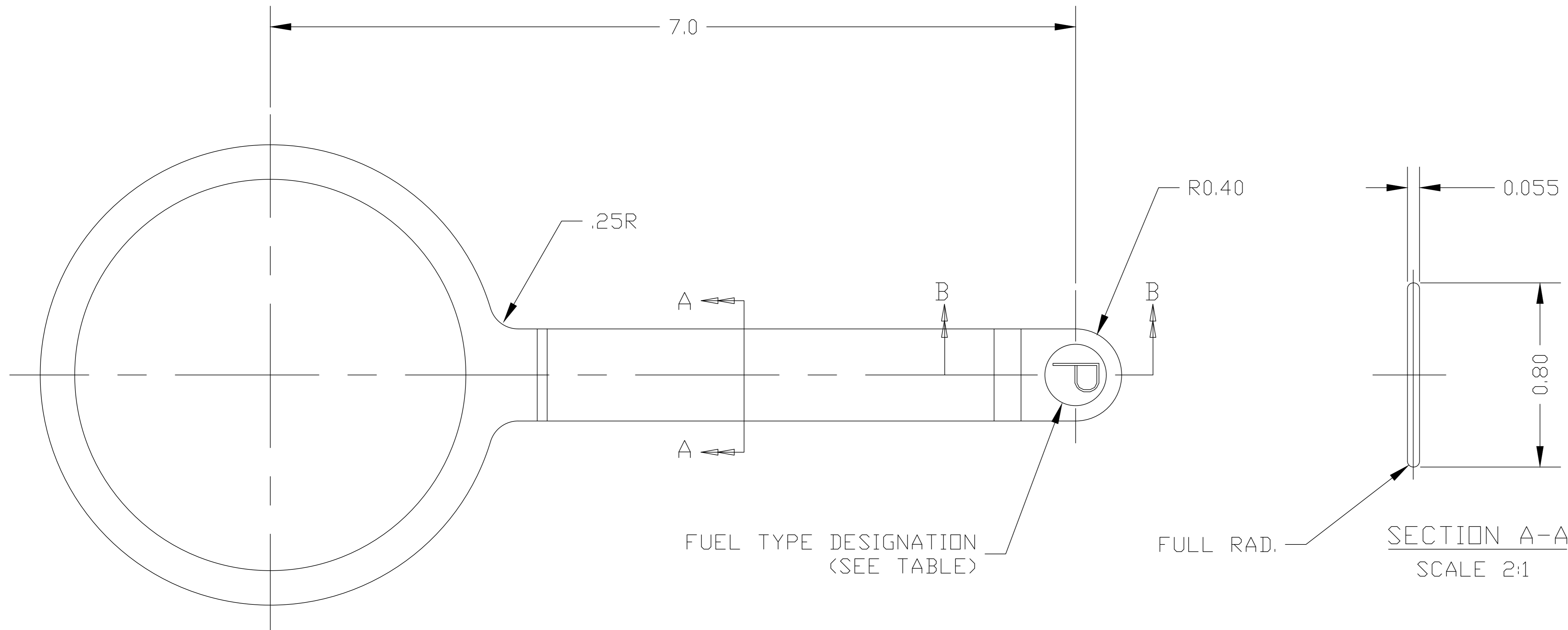
**PRODUCTION
DRAWING**

THE INFORMATION CONTAINED ON THIS DOCUMENT IS THE PROPERTY OF SCEPTER CANADA INC. UPON RECEIPT OF THE DOCUMENT THE RECIPIENT AGREES THAT THIS INFORMATION IS WILL NOT BE USED FOR OTHER THAN INSTALLATION, MAINTENANCE OR STUDY PURPOSE AND IS WILL NOT BE FURNISHED TO ANY OTHER PARTY, IN WHOLE OR IN PART FOR ANY PURPOSE WHATSOEVER WITHOUT THE SPECIFIC WRITTEN AUTHORIZATION FROM SCEPTER CANADA INC.

UNLESS OTHERWISE SPECIFIED SAUF INDICATION CONTRAIRE	
1. DIMENSIONS ARE IN: DIMENSIONS SONT EN: IN	APPLICATION USAGE
2. TOLERANCES	
xxx ± _____	
xx ± _____	
x ± _____	
ANGLES ± _____	
3. SURFACE FINISH: FINIS DE SURFACES	SCALE ÉCHELLE 1:2
DATE	

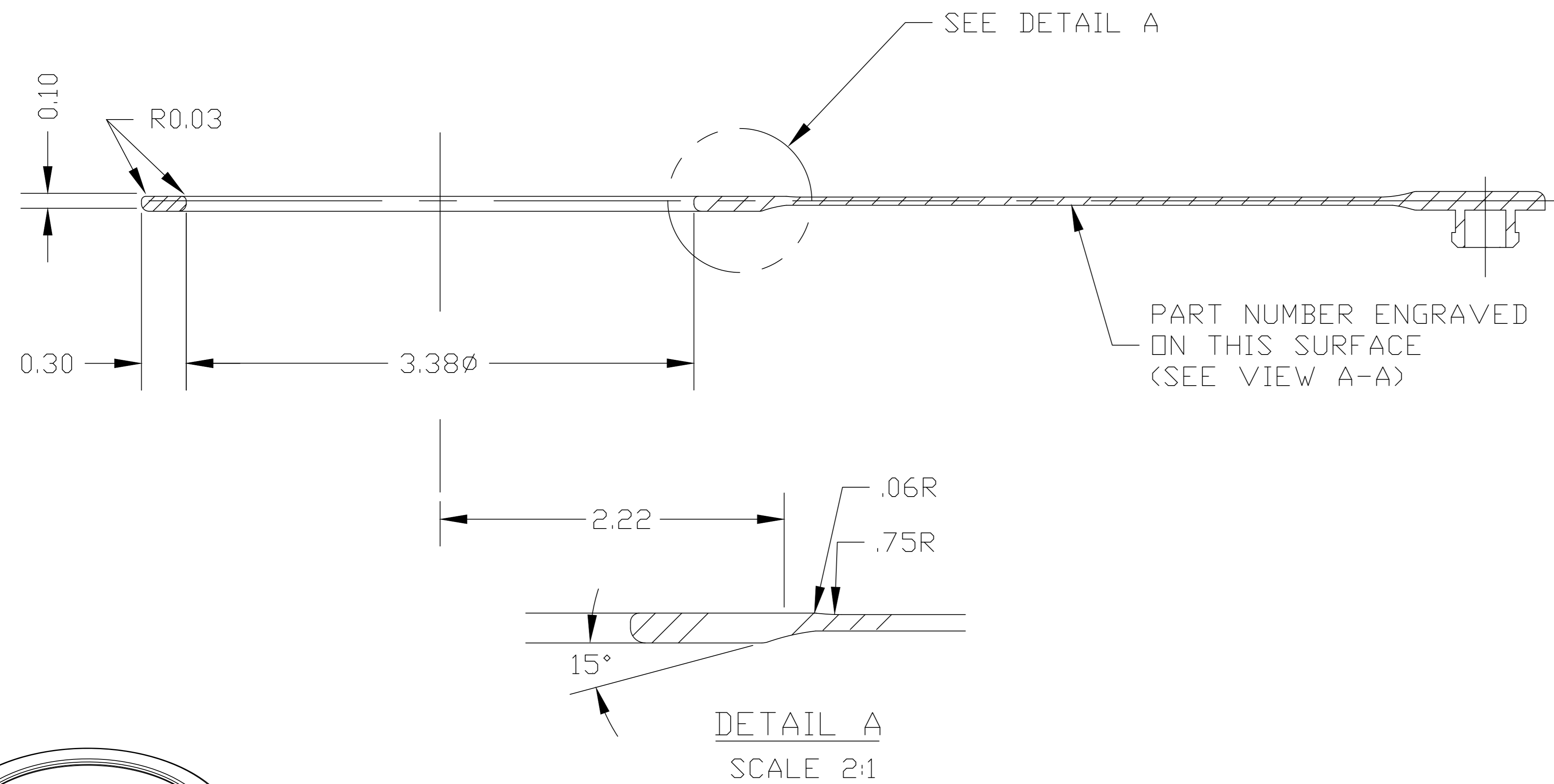
SCALE ÉCHELLE	1:2
DATE	

ZONE	A	INITIAL RELEASE WITH BLUE STRAP	05/27/2021	KK	SG	SG
LTR LET		REVISION	DATE	DWN DES	CKD VER	APP'D APP
Scepter CANADA INC.						
DWN/DESS	CKD/VER	INSPECT/INSPECTÉ	APPVL/APP			
G BLACKBURN	G FARRELL	NV	G FARRELL			
DESIGN AGENT/CONCEPTIEN	NSCM/CADF	36976	APPVL DATE D'APPROB			
SCEPTER CANADA INC.			NOV/23/87			
TITLE/TITRE			DRAWING No DU DESSIN			
CAN, FUEL, MILITARY, PLASTIC, 20 LITRES,			9811569			
			SHEET FEUILLE 1 OF DE 1			

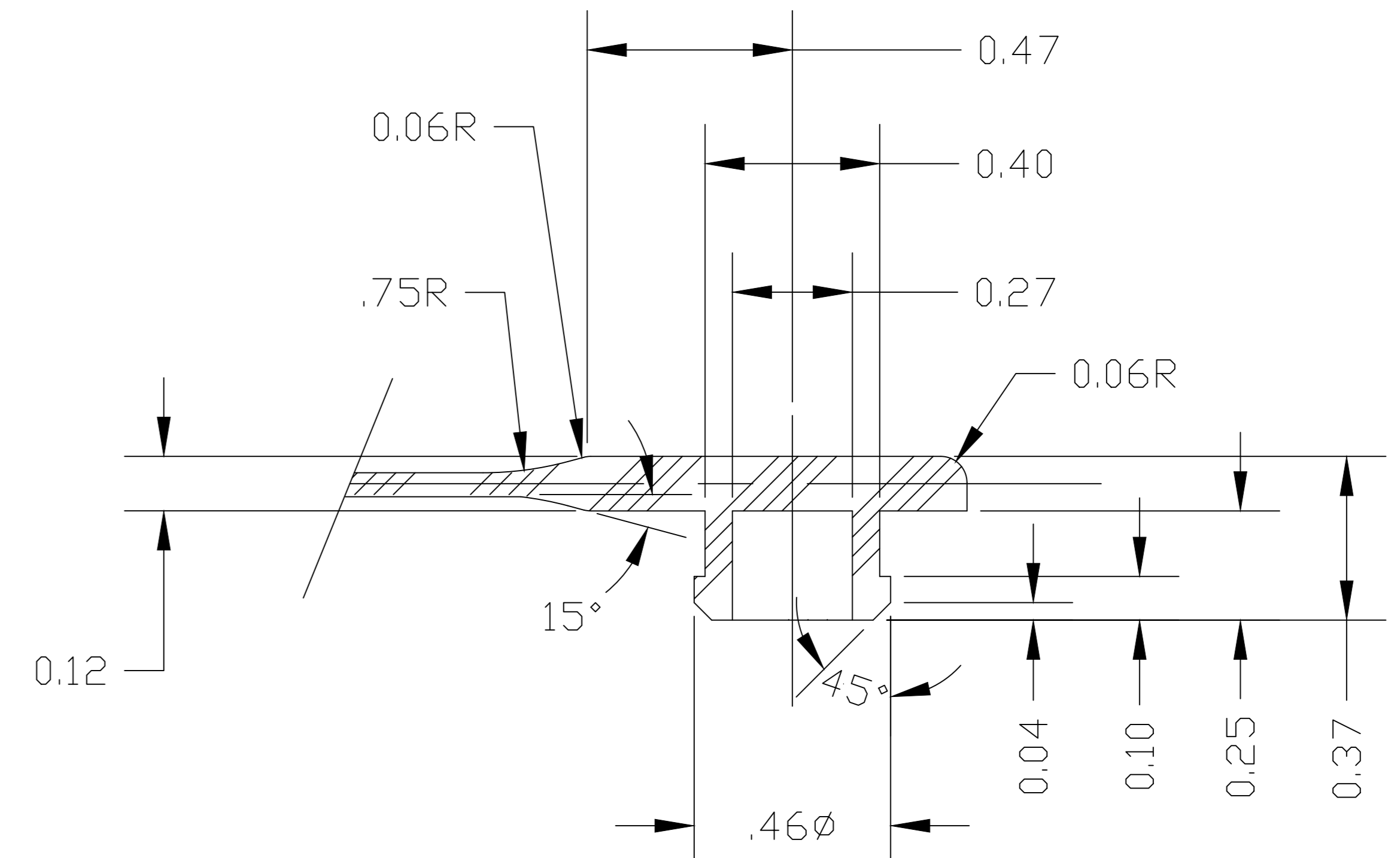


NSN NUMBER	COLOUR	FUEL TYPE/DESIGNATION	PART NUMBER
9905-21-902-4063	YELLOW	D - DIESEL FUEL	9826011200
N/A	RAL 1019	D - DIESEL FUEL	9898000198
9905-21-902-4062	RED	P - GASOLINE	9898000051
N/A	GREEN	TS - GAS/OIL MIX	9898000111
7240-01-337-5351	SAND	N/A	9898000057
7240-01-337-5352	FIELD DRAB	N/A	9898000058
N/A	DESERT SAND	N/A	9898000044
9905-21-902-4065	GREY	K - KEROSENE	9898000052
9905-21-902-4064	ORANGE	N - NAPHTHA	9898000053
9905-21-906-1237	BLUE	C - C8 DECON	9898000054
N/A	BLACK	J - JP8	9898000055
9905-21-909-5454	GREEN	1 - C1 DECON	9898000056
7240-21-920-5898	WHITE	W - WASTE	9898000366
9905-20-A0R-1499	BLUE	HF - HYDRAULIC FLUID	10828
9905-20-A0R-1695	ORANGE	TF - TRANSMISSION FLUID	10829
9905-20-A0R-1496	BLACK	O - ENGINE OIL	10830
TBD	SKY BLUE	N/A	9811569

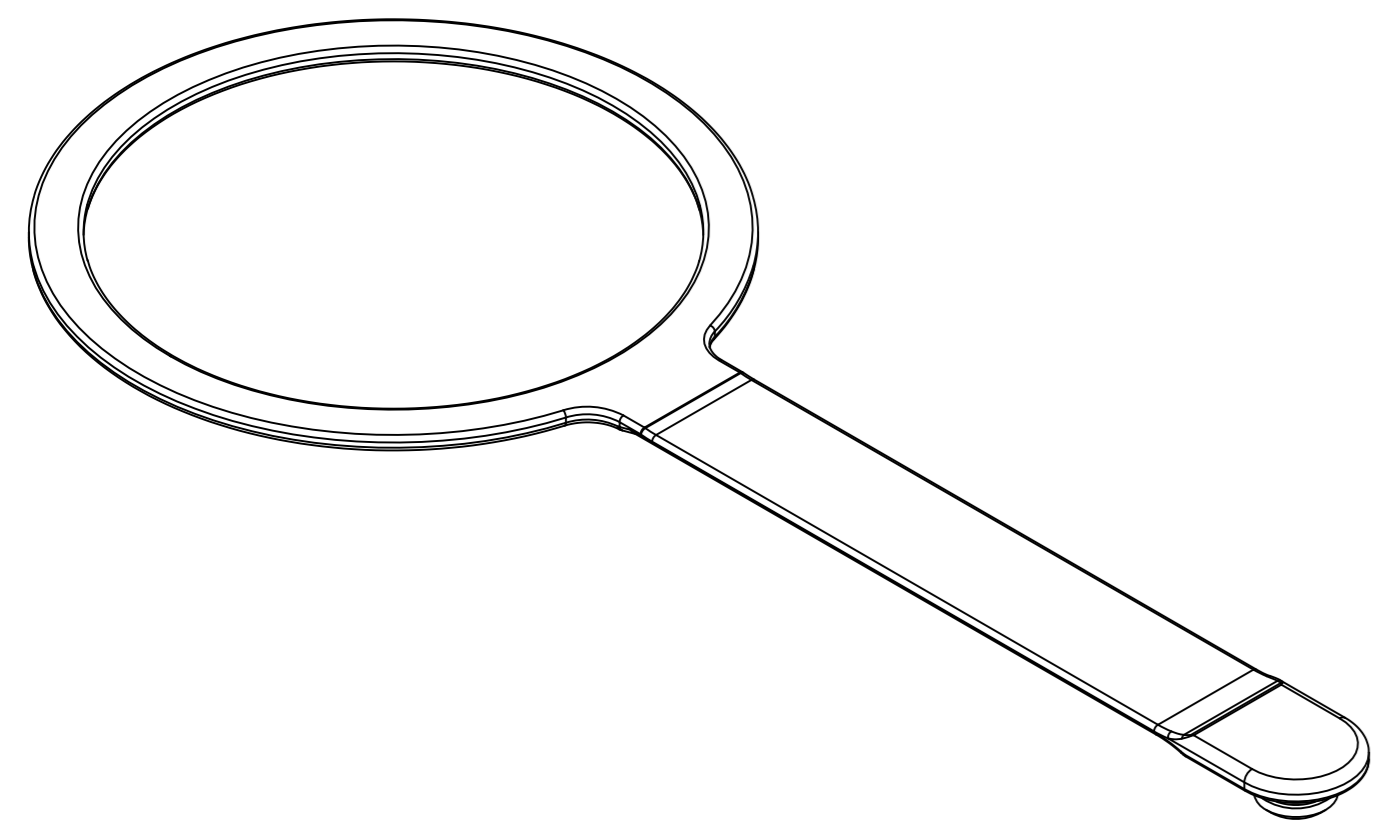
SECTION A-A
SCALE 2:1



DETAIL A
SCALE 2:1



SECTION B-B
SCALE 2:1



VIEW A-A

PRODUCTION
DRAWING

UNLESS OTHERWISE SPECIFIED
SAUF INDICATION CONTRAIRE

1. DIMENSIONS ARE IN: IN
DIMENSIONS SONT EN: IN

2. TOLERANCES
XXX ± .01
XX ± .02
X ± .03
FRACT. ±
ANGLES ± 1.5

3. SURFACE FINISH: FINIS DE SURFACES

DATE

APPLICATION USAGE
9814011200

SCALE ÉCHELLE 1:1

ZONE	LTR LET	REVISION	DATE	DWN DES	CKD VER	APP'D APP
I		NEW SKY BLUE STRAP ADDED	AUG/10/16	KK	GS	
H		3 NEW STRAPS "HF", "TF" AND "O" ADDED	AUG/10/16	CZ	MP	ECN#2117-1
G		STRAP THICKNESS 0.055 WAS 0.05	OCT/07/05	MP	MP	ECN#1437
F		CANADIAN NSN #'s CHANGED	SEP/10/99	MP	ARN	ECN#1054
E		0.10" THICKNESS WAS 0.14"	SEP/08/98	MP	ARN	ECN#957
D		GEOMETRY AND MATERIAL CHANGED	NOV/03/92	GB	ARN	ECN#427
C		REVISED FORMAT	APR/09/90	GB	GF	ECN#149
B		FORMAT CHANGE, DIMENSION CHANGE	05/25/88	GB	GF	GF
A		DIMENSION CHANGE	04/08/87	GB	GB	RY

NOTE:
1. MATERIAL: NYLON ST801 (DUPONT)

THE INFORMATION CONTAINED ON THIS DOCUMENT IS THE PROPERTY OF SCEPTER CANADA INC. UPON RECEIPT OF THE DOCUMENT THE RECIPIENT AGREES THAT THIS INFORMATION 1) WILL NOT BE USED FOR OTHER THAN INSTALLATION, MAINTENANCE OR STUDY PURPOSE AND 2) WILL NOT BE FURNISHED TO ANY OTHER PARTY, IN WHOLE OR IN PART FOR ANY PURPOSE WHATSOEVER WITHOUT THE SPECIFIC WRITTEN AUTHORIZATION FROM SCEPTER CANADA INC.

Scepter CANADA INC.
SYMBOL OF QUALITY

DWN/DESS G. BLACKBURN	CKD/VER G. FARRELL	INSPECT/INSPECTÉ NV	APPVL/APP G. FARRELL
DESIGN AGENT/CONCEPTION SCEPTER CANADA INC.		NSCM/CAOF 36976	APPVL DATE D'APPROB APR/10/90
TITLE/TITRE CAP RETAINER STRAP, MFC 3-20L			DRAWING No DU DESSIN 9826011200
			SHEET FEUILLE 1 OF DE 1