



National Defence

Défense nationale

National Defence Headquarters
Ottawa, Ontario
K1A 0K2

Quartier général de la Défense nationale
Ottawa (Ontario)
K1A 0K2

REQUEST FOR PROPOSAL DEMANDE DE PROPOSITION

RETURN BIDS TO: RETOURNER LES SOUMISSIONS À :

Bid receiving – PWGSC / Réception des soumission

tps.gc.dgareceptiondessoumissions-
abbidreceiving.pwgsc@tps.gc-
pwgsc.gc.ca

Via epost \ Postel
Bid Fax: 819-997-9776

Proposal To: National Defence Canada

We hereby offer to sell to Her Majesty the Queen in right of Canada, in accordance with the terms and conditions set out herein, referred to herein or attached hereto, the goods and services listed herein and on any attached sheets at the price(s) set out therefor.

Proposition à : Défense nationale Canada

Nous offrons par la présente de vendre à Sa Majesté la Reine du chef du Canada, aux conditions énoncées ou incluses par référence dans la présente et aux annexes ci-jointes, les biens et services énumérés ici et sur toute feuille ci-annexée, au(x) prix indiqué(s).

Title/Titre: Hoses and Pipes		Solicitation No – N° de l'invitation W8482-231188/A Amendment 002 Date of Amendment: 30/01/2023
Date of Solicitation – Date de l'invitation January 20, 2023		
Address Enquiries to – Adresser toutes questions à Katharine Barker D Mar P 4-3-6-2 Katharine.Barker2@forces.gc.ca		
Telephone No. – N° de téléphone	FAX No – N° de fax	
Destination Specified herein / Précisée dans les présentes		

Instructions:

Municipal taxes are not applicable. Unless otherwise specified herein all prices quoted must include all applicable Canadian customs duties, GST/HST, excise taxes and are to be delivered Delivery Duty Paid including all delivery charges to destination(s) as indicated. The amount of the Goods and Services Tax/Harmonized Sales Tax is to be shown as a separate item.
Instructions: Les taxes municipales ne s'appliquent pas. Sauf indication contraire, les prix indiqués doivent comprendre les droits de douane canadiens, la TPS/TVH et la taxe d'accise. Les biens doivent être livrés « rendu droits acquittés », tous frais de livraison compris, à la ou aux destinations indiquées. Le montant de la taxe sur les produits et services/taxe de vente harmonisée doit être indiqué séparément.

Solicitation Closes – L'invitation prend fin

At – à : 1400 hours/heures EST

On - February 27, 2023

Delivery required - Livraison exigée	Delivery offered - Livraison proposée
Vendor Name and Address - Raison sociale et adresse du fournisseur	
Name and title of person authorized to sign on behalf of vendor (type or print) - Nom et titre de la personne autorisée à signer au nom du fournisseur (caractère d'imprimerie)	
Name/Nom _____	Title/Titre _____
Signature _____	Date _____

Amendment # 001 is being raised to answer the following question:

Question #1:

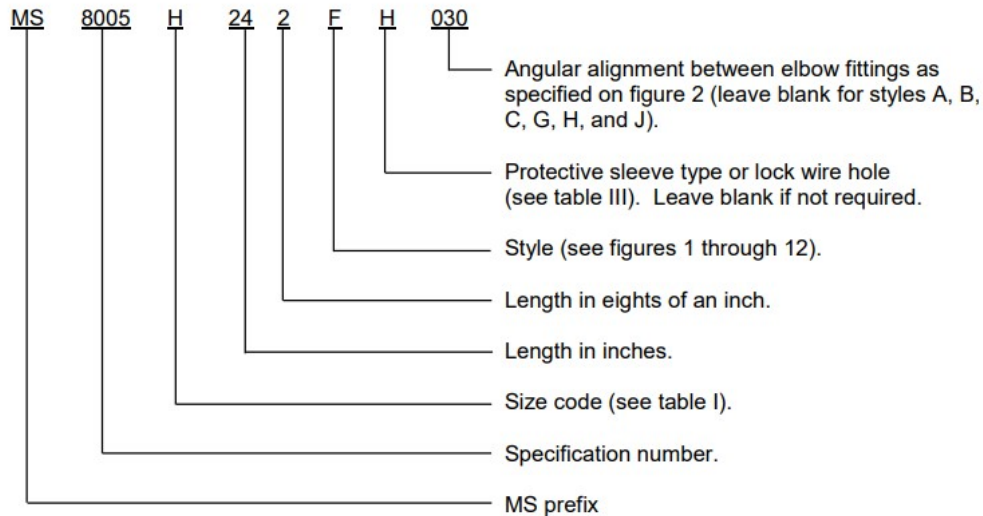
“Please can you provide the manufacturer name of line item 3 to 6?”

Answer #1:

No, I can not name the manufacturer, however the correct manufacturer should be able to produce the military specifications which are listed below.

MS8005E

PIN for each hose assembly shall include the prefix MS, specification number, size code letter, 2 digits for length in inches (0 - 99), 1 digit for eighths of an inch (0 - 8), style letter, protective sleeve type letter or blank, and the angular alignment between the elbow fittings blank or three digits.



PIN examples:

MS8005H242FH030 specifies a 24.250 (209.55 mm) inch length, style F hose assembly with a .500 inch (12.70 mm) tube OD, lock wire hoes, chafe guard (white) in accordance with SAE-AS1291, and 30° between the elbow fittings.

Therefore using NSN: 4720-01-453-7507 as example, part number **MS8005H180C** when using military specification **MS 8005**, size code **H** = .500 inch [12.70 (mm)], **18** = 18 inch length , **0** eighths of inch , **C** style (Figure 3 = C style)

TABLE I. Hose assembly size code. 1/ 2/

Size code	Size	Reference tube OD Inch (mm)
B	3/4 ^{3/}	.250 (6.35)
E	4	.250 (6.35)
F	5	.313 (7.95)
G	6	.375 (9.53)
H	8	.500 (12.70)
J	10	.625 (15.88)
K	12	.750 (19.05)
M	16Z	1.000 (25.40)
N	20Z	1.250 (31.75)
P	24Z	1.500 (38.10)

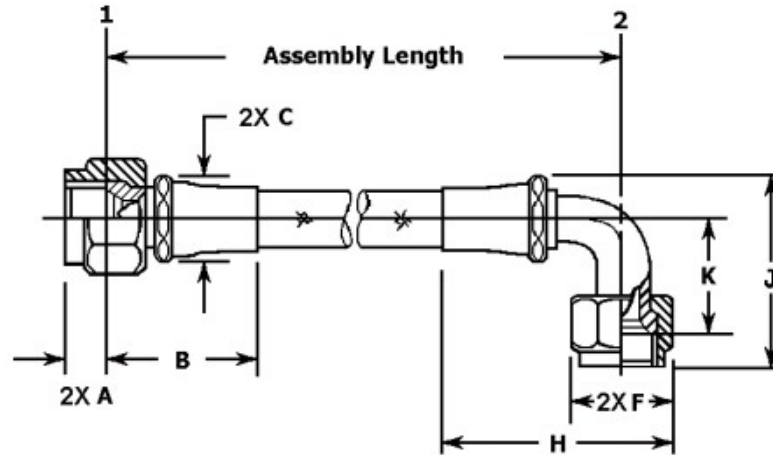
1/ Dimensions are in inches.

2/ Metric equivalents are given for information only.

3/ Size 3/4 hose assembly consists of a size 4 tube
OD hose assembled with size 3 tube OD fittings.

MS8005E

Style C hose assembly dimensions. Uses class 1 fittings which are made from CRES: See figure 3.



Fitting ends		Hose size	Dimensions inch (mm)							
1	2		A (nom)	B (max)	C (max)	F (max)	H (max)	J (max)	K (min)	K (max)
Straight	90°	3/4	.372 (9.45)	1.049 (26.64)	.620 (15.75)	.580 (14.73)	1.845 (46.86)	1.320 (33.53)	.510 (12.95)	.635 (116.13)
		4	.375 (9.53)	1.049 (26.64)	.620 (15.75)	.654 (16.61)	1.885 (47.12)	1.370 (34.80)	.560 (14.22)	.685 (17.40)
		5	.380 (9.65)	1.194 (30.33)	.680 (17.27)	.726 (18.44)	1.980 (50.29)	1.542 (39.17)	.635 (16.13)	.822 (20.88)
		6	.380 (9.65)	1.303 (33.10)	.750 (19.05)	.798 (20.27)	2.205 (56.01)	1.640 (41.66)	.700 (17.78)	.885 (21.72)
		8	.438 (11.13)	1.465 (37.21)	.880 (22.35)	1.014 (25.76)	2.495 (63.37)	1.938 (49.23)	.810 (20.57)	1.060 (26.92)
		10	.515 (13.08)	1.680 (42.67)	.967 (24.56)	1.158 (29.41)	2.955 (75.06)	2.340 (59.44)	1.091 (27.71)	1.341 (34.06)
		12	.570 (14.48)	1.727 (43.87)	1.122 (28.50)	1.447 (36.75)	3.705 (94.11)	2.722 (69.14)	1.341 (34.06)	1.591 (40.41)
		16Z	.620 (15.75)	2.101 (53.37)	1.480 (37.59)	1.736 (44.09)	4.100 (104.14)	3.075 (78.11)	1.465 (37.21)	1.715 (43.56)
		20Z	.640 (16.26)	2.255 (57.28)	1.750 (44.45)	2.328 (59.13)	4.835 (122.81)	3.637 (92.38)	1.747 (44.37)	2.122 (53.90)
		24Z	.765 (19.41)	2.400 (60.96)	2.150 (54.61)	2.621 (66.57)	5.480 (139.19)	4.212 (106.98)	1.997 (50.72)	2.372 (60.25)

NOTES:

1. Dimensions are in inches.
2. Metric equivalents are given for information only.
3. Dimension "J (max)" is an installation dimension and not design dimension.

FIGURE 3. Style C hose assembly.

Questions 2

May I have the drawings for the above solicitation, please?

Answer 2:

There are no drawings other than what is in the MS8005E military specification (see above).

All other terms and conditions remain the same