


APPROVAL PACKAGE		
DRAWING No.	DESCRIPTION	REVISION
3944.960.100-1	TITLE PAGE	A
3944.960.102-1	TOWER PROFILE	A
3944.960.114-1	LADDER DETAILS	A
3944.960.122-1	DAY MARKER DETAILS	A
3944.960.130-1	SWING GATE DETAILS	A
3944.960.130-2	ANTI-CLIMB DETAILS	A
3944.960.130-3	ANTI-CLIMB CROSS SECTION	A
3944.960.134-1	LIGHT MOUNT DETAILS	A
3944.960.150-1	FALL PROTECTION DETAILS	A
3944.960.190-1	WORK PLATFORM DETAILS	A

OWNER:	CANADIAN COAST GUARD
SITE NAME / CODE:	SQUIRREL ISLAND
TOWER HEIGHT / TYPE:	95'66" ALL WELD SELF SUPPORT TOWER
LOCATION:	ONTARIO
CORDINATES:	N/A



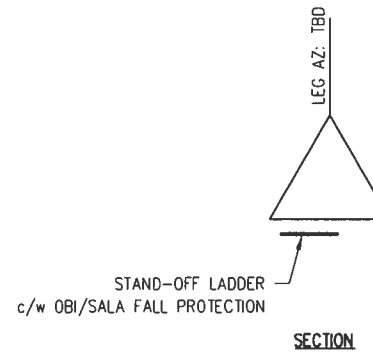
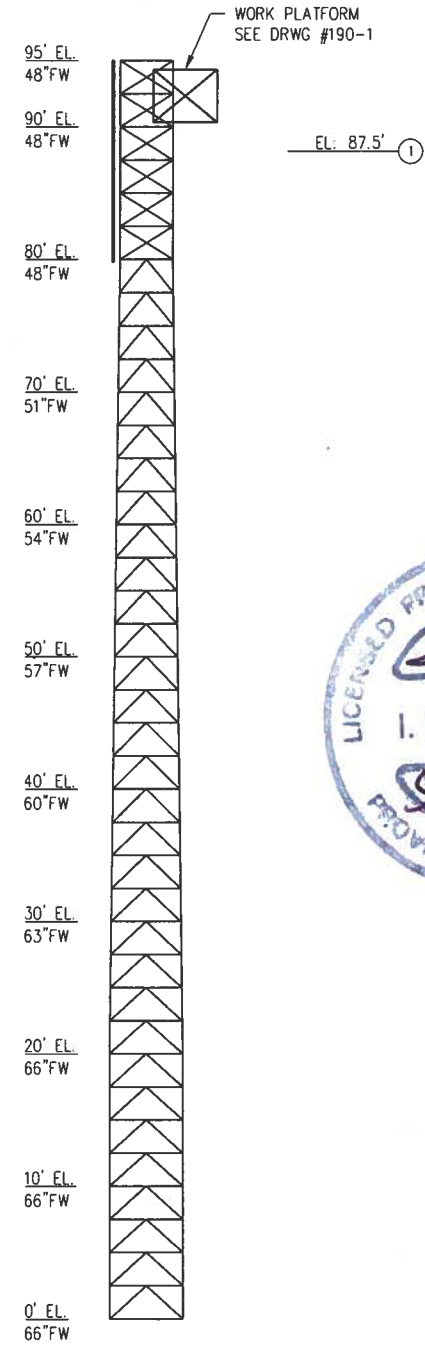
Project No:	F2618-080103
Project Description:	NAVAID TOWER & EQUIPMENT

Rev	Rev'd By	App'd By	Rev. Description	Date:	Notes:
A	MO		ISSUE FOR APPROVAL	09 MAR 10	

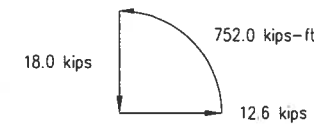
 <b>ALLAN PIPE FAB INC.</b> 395 DOBBIE DRIVE CAMBRIDGE, ON. CANADA P: (519) 622-6013 F: (519) 622-7062			
Drawn By:	Checked By:	Date:	Scale:
MO		09 MAR 10	1:1
Customer:	Site Name/Code:	Job No:	
CANADIAN COAST GUARD	SQUIRREL ISLAND, ON	3944	
Drawing Title:		Drawing No.	
TITLE PAGE		3944.960.100-1	

ITEM No.	ANTENNA LOADING						Tx. LINE	
	QTY.	MAKE AND MODEL OF ANTENNA	ELEVATION (ft.)	AZIMUTH (°TN)	DOWN TILT (°)	STATUS	QTY.	DESCRIPTION
1	1	DAY MARKER (120 SQFT)	87.5	TBD	N/A	INITIAL	1	LOF4-50A

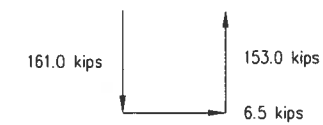
PAINT		NO PAINT		SECTION No.
LEG (50W)	3-1/4" S.R.	2-3/4" S.R.	2-1/2" S.R.	3944.0003.001
HORIZONTAL	1-1/4" S.R.	1-1/8" S.R.	1" S.R.	3944.0002.001
DIAGONAL	1" S.R.	1" S.R.	7/8" S.R.	960.3.0026.001
SPUCE PAD	PL 8" x 8" x 1-1/4"	PL 7" x 7" x 1"	PL 7" x 7" x 1"	960.3.0025.001
SPUCE BOLTS	1-1/4" x 4-1/2" A325 BOLT ASSY	1-1/8" x 4" A325 BOLT ASSY	1-1/8" x 4" A325 BOLT ASSY	960.3.0024.001
				3944.0005.001
				3944.0004.001
				960.3.0116.001
				3944.0001.001
				3944.0001.001



**TOWER DESIGNED TO:**  
 CAN/CSA S37-01  
 WIND: 390 Pa  
 ICE: 25mm  
 MAX HORZ DEFLECTION @ TOP = 3.6"



**TOTAL FOUNDATION LOADING (FACTORED)**

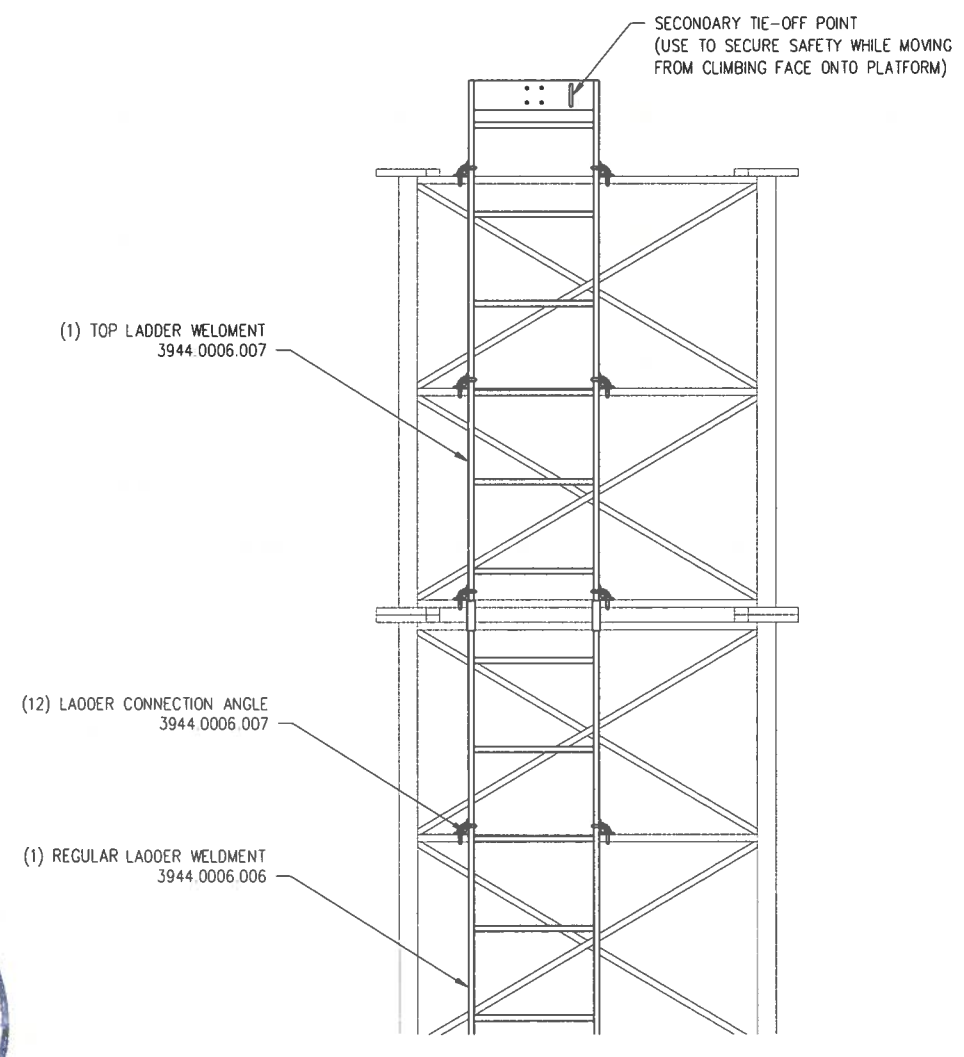
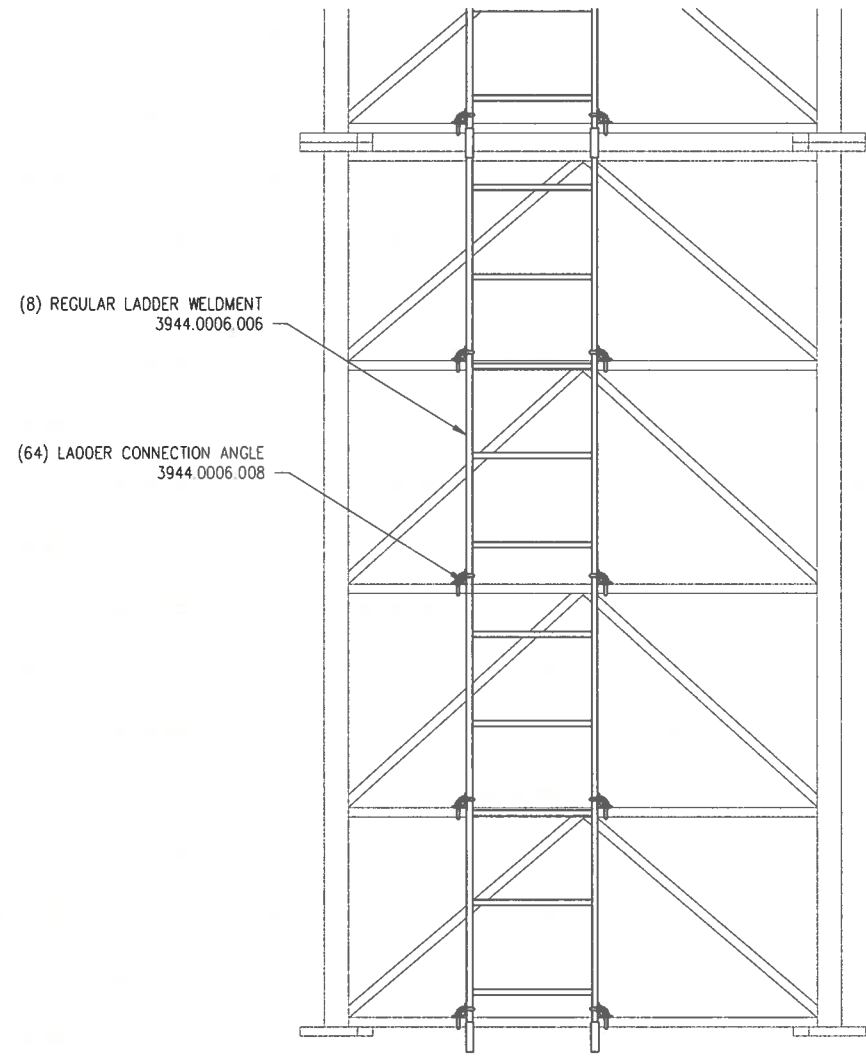
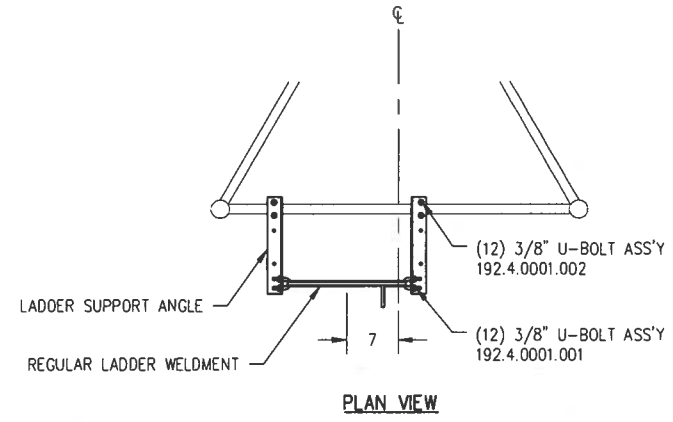
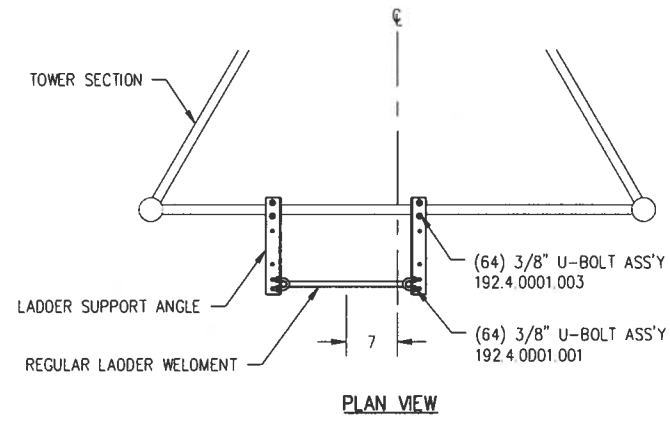


**INDIVIDUAL FOUNDATION LOADING (FACTORED)**

Rev.	Rev'd By	App'd By	Rev. Description	Date
A	MO		INCREASED DAY MARKER SIZE	09 AUG 31

- Notes:
- ALL DIMENSIONS ARE IN INCHES
  - ALL STRUCTURAL STEEL SHALL BE G40.21 - 300W (44W) OR 50W AS REQUIRED
  - ALL MATERIAL TO BE HOT DIPPED GALVANIZED
  - LIMIT STATES DESIGN, FACTORED LOADING
  - REFERENCE ORIGINAL AP JOB# 3944

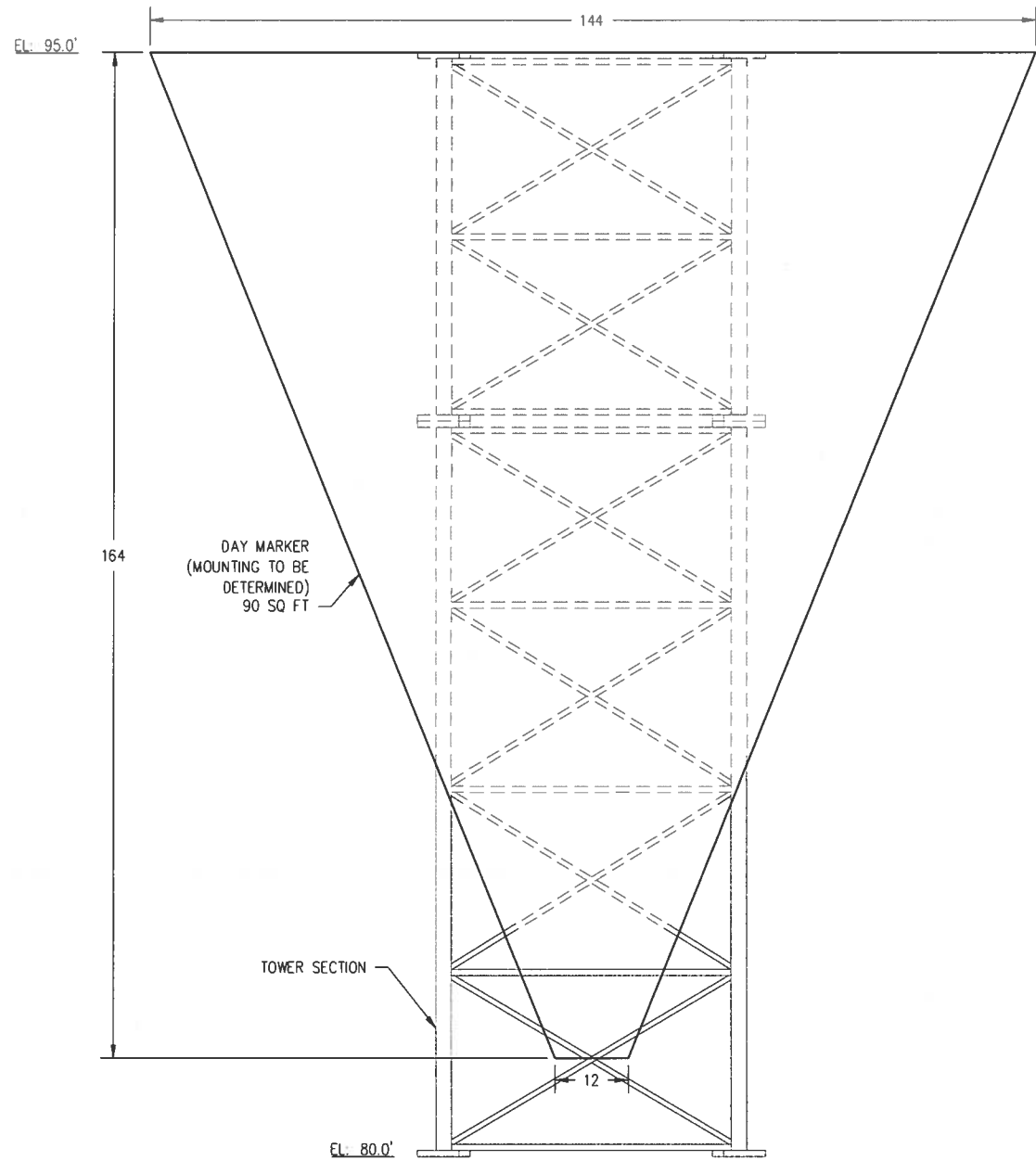
Project No. F2618-080103	
Project Description: NAVARD TOWER & EQUIPMENT	
<b>ALLAN PIPE FAB INC.</b> 395 DOBBIE DRIVE CAMBRIDGE, ON. CANADA P: (519) 622-6013 F: (519) 622-7062	
Drawn By: MO	Checked By: Date: 09 AUG 31 Scale: 1:110
Customer: CANADIAN COAST GUARD	Site Name/Code: SQUIRREL ISLAND, ON Job No: 4017
Drawing Title: TOWER PROFILE	Drawing No: 4017.960.102-1



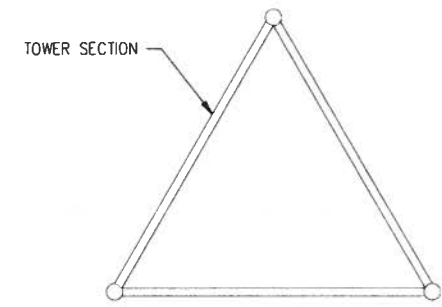
Rev.	Rev'd By:	App'd By:	Rev. Description	Date	Rev.	Rev'd By:	App'd By:	Rev. Description	Date
A	MO		ISSUE FOR APPROVAL	09 MAR 10					

Notes:  
 1. ALL DIMENSIONS ARE IN INCHES

Project No: F2618-080103	
Project Description: NAVAO TOWER & EQUIPMENT	
<b>ALLAN PIPE FAB INC.</b> 396 DOBBIE DRIVE CAMBRIDGE, ON, CANADA P: (519) 822-8013 F: (519) 822-7082	
Drawn By: MO	Checked By: Date: 09 MAR 10
Customer: CANADIAN COAST GUARD	Scale: 1:16
Site Name/Code: SQUIRREL ISLAND, ON	Job No: 3944
Drawing Title: LADDER DETAILS	Drawing No: 3944.960.114-1



ELEVATION




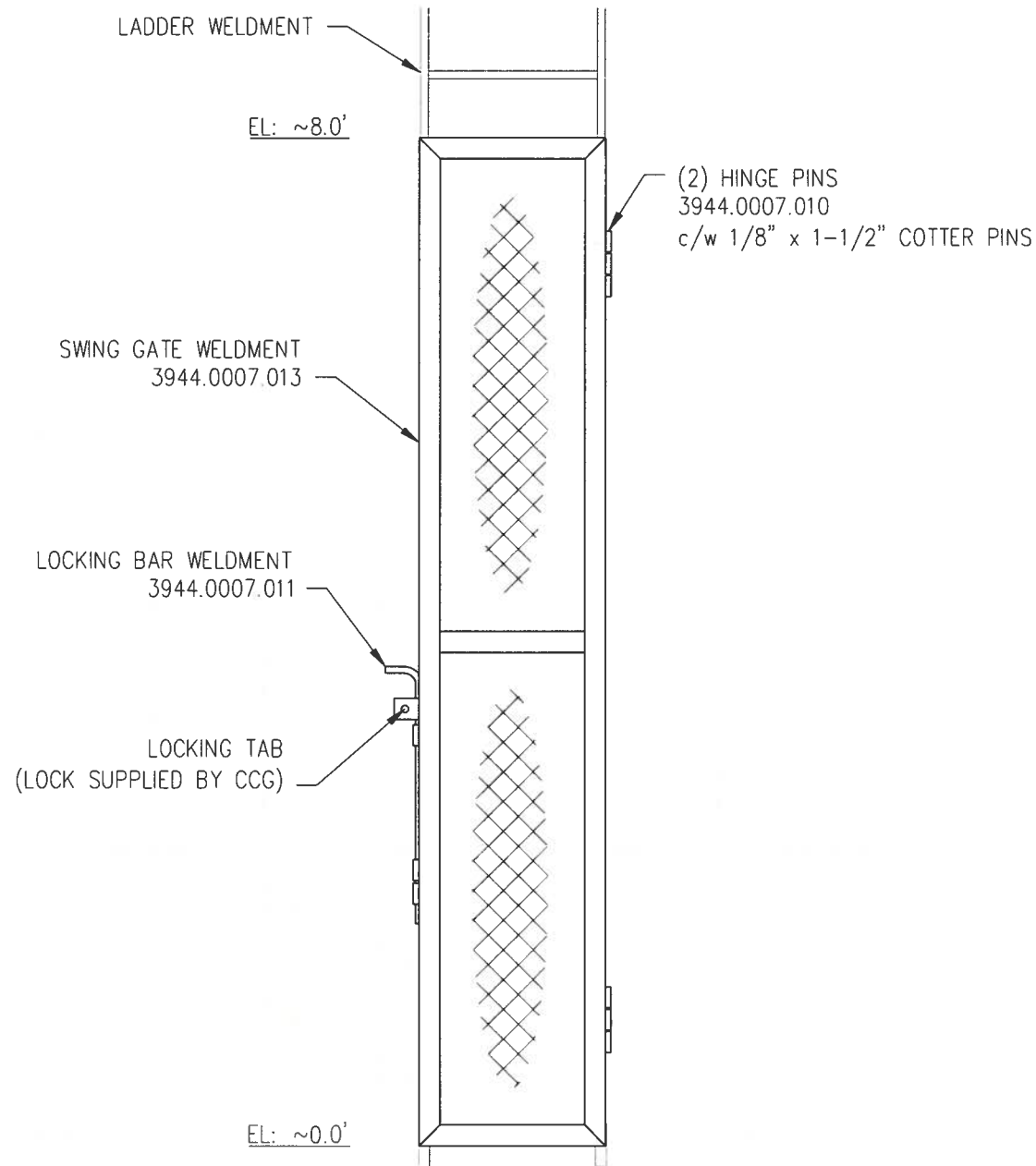
CROSS SECTION



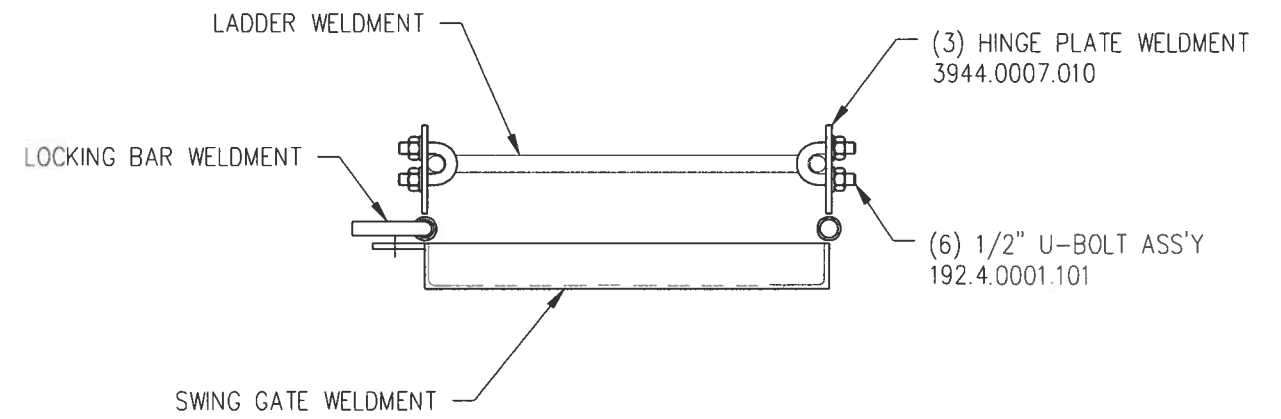
Rev.	Rev'd By.	App'd By.	Rev. Description	Date	Rev.	Rev'd By.	App'd By.	Rev. Description	Date
A	MO		ISSUE FOR APPROVAL	09 MAR 10					

Notes:  
1. ALL DIMENSIONS ARE IN INCHES

Project No:		F2618-080103	
Project Description:		NAVAID TOWER & EQUIPMENT	
 <b>ALLAN PIPE FAB INC.</b> 395 DOBBIE DRIVE CAMBRIDGE, ON, CANADA P: (519) 822-8013 F: (519) 822-7082			
Drawn By:	MO	Checked By:	09 MAR 10
Customer:	CANADIAN COAST GUARD	Site Name/Code:	SQUIRREL ISLAND, ON
Job No:	3944	Scale:	1:18
Drawing Title:	DAY MARKER DETAILS		Drawing No:
			3944.960.122-1



ELEVATION



CROSS SECTION



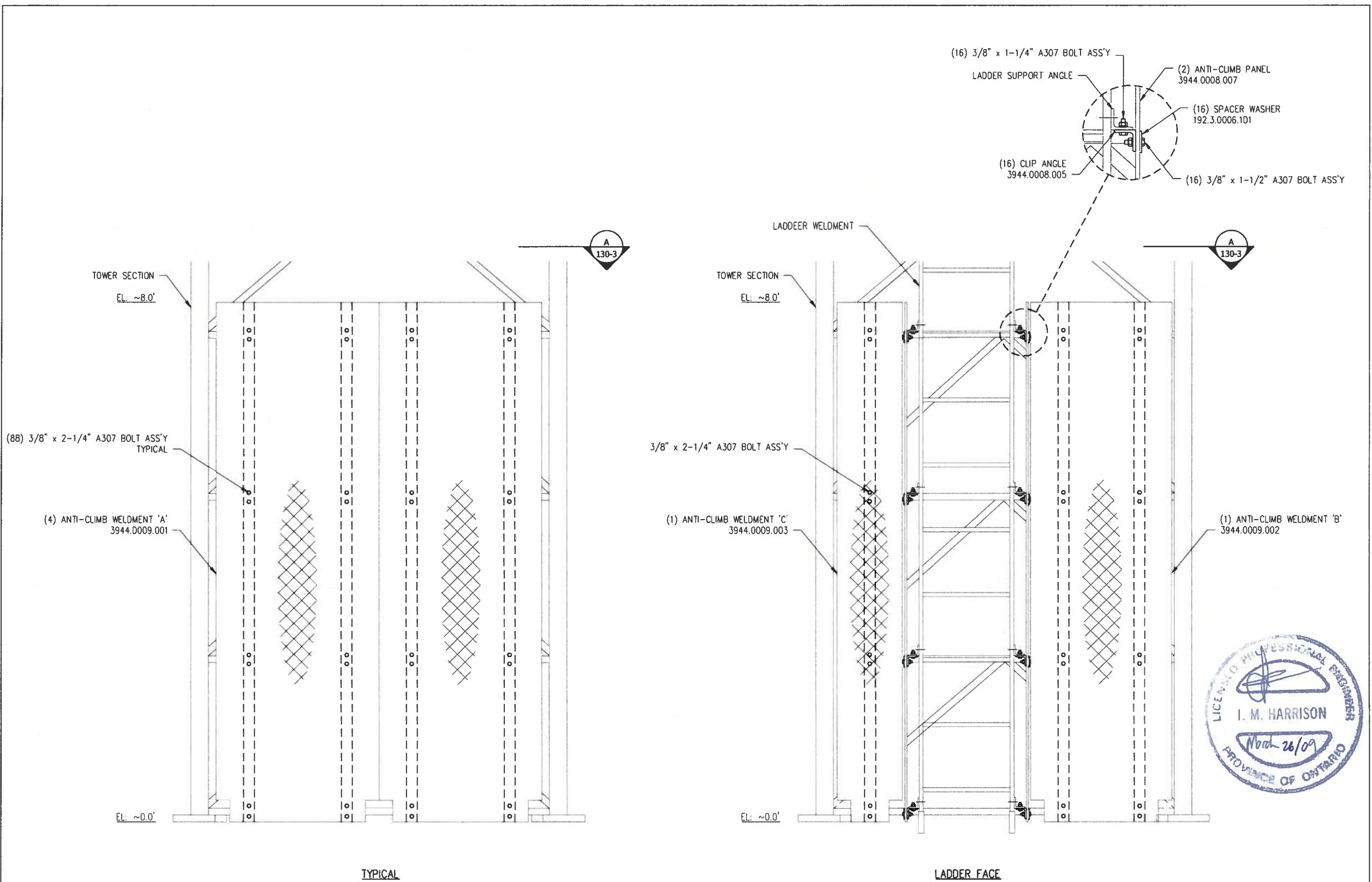
Project No:	F2618-080103
Project Description:	NAVAID TOWER & EQUIPMENT

**AP**  
ALLAN PIPE  
**ALLAN PIPE FAB INC.**  
395 DOBBIE DRIVE  
CAMBRIDGE, ON. CANADA  
P: (519) 622-6013 F: (519) 622-7062

Drawn By: MO	Checked By:	Date: 09 MAR 10	Scale: 1:16
Customer: CANADIAN COAST GUARD	Site Name/Code: SQUIRREL ISLAND, ON	Job No: 3944	
Drawing Title: SWING GATE DETAILS		Drawing No. 3944.960.130-1	

Rev.	Rev'd By:	App'd By:	Rev. Description	Date:
A	MO		ISSUE FOR APPROVAL	09 MAR 10

Notes:  
1. ALL DIMENSIONS ARE IN INCHES

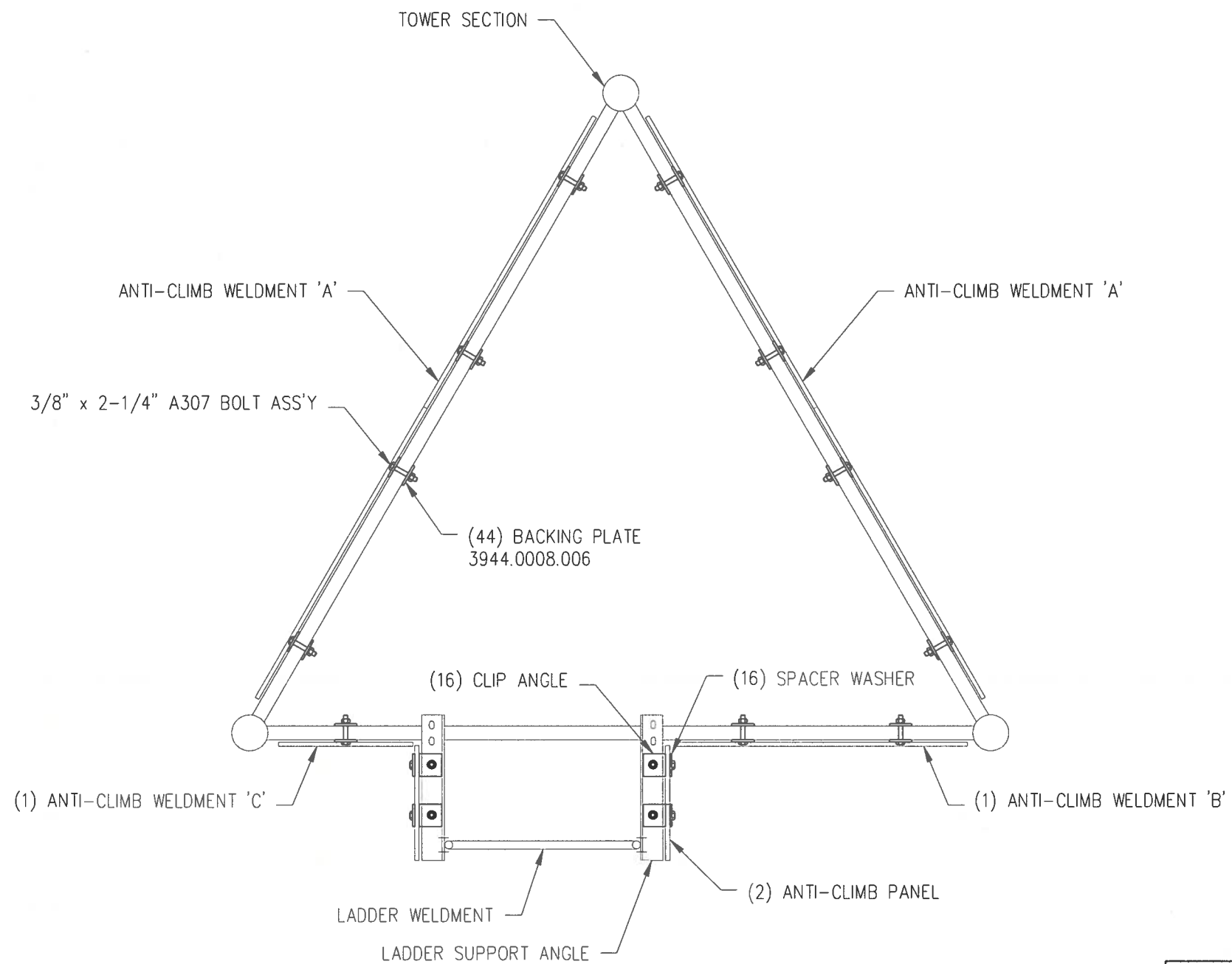


Rev.	Rev'd By	App'd By	Rev. Description	Date	Rev.	Rev'd By	App'd By	Rev. Description	Date
A	MO		ISSUE FOR APPROVAL	09 MAR 10					

Notes:  
1. ALL DIMENSIONS ARE IN INCHES

Project No: F2618-D801D3	
Project Description: NAVAID TOWER & EQUIPMENT	
<b>ALLAN PIPE FAB INC.</b> 395 DOBBIE DRIVE CAMBRIDGE, ON, CANADA P: (519) 622-8013 F: (519) 622-7082	
Drawn By: MO	Checked By: Date: 09 MAR 10
Customer: CANADIAN COAST GUARD	Scale: 1:12
Site Name/Code: SQUIRREL ISLAND, ON	Job No: 3944
Drawing Title: ANTI-CLIMB DETAILS	Drawing No: 3944.960.130-2





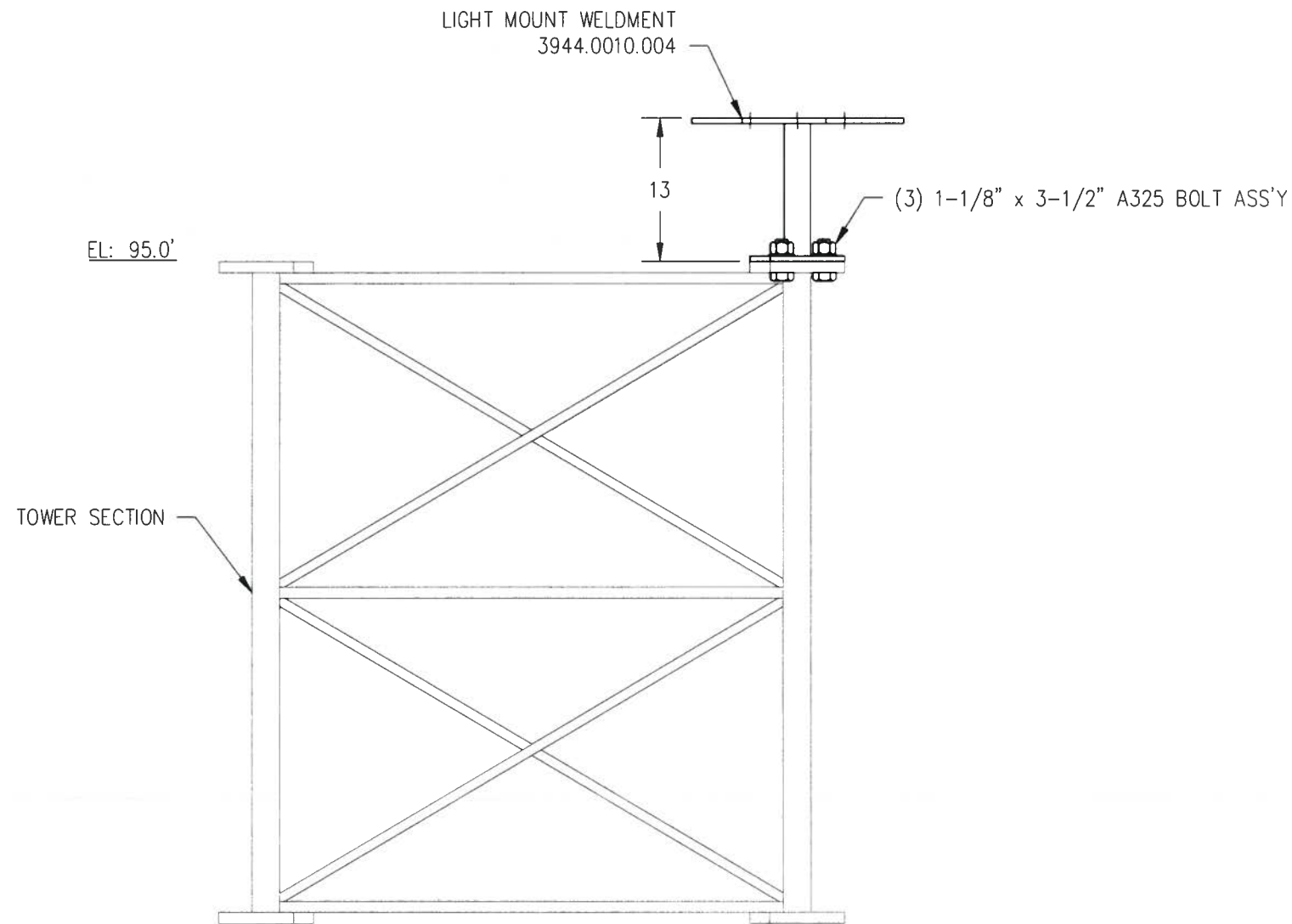
Project No:	F2618-080103
Project Description:	NAVAID TOWER & EQUIPMENT

**ALLAN PIPE FAB INC.**  
 395 DOBBIE DRIVE  
 CAMBRIDGE, ON, CANADA  
 P: (519) 622-6013 F: (519) 622-7062

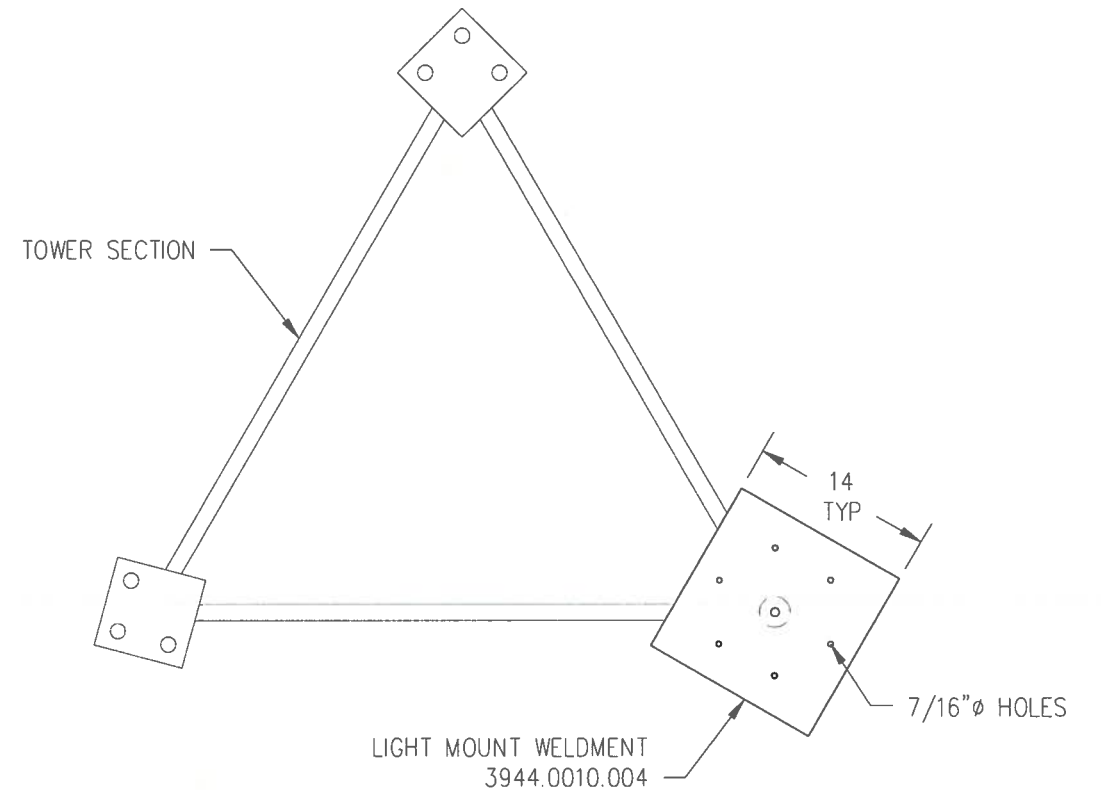
Drawn By:	MO	Checked By:		Date:	09 MAR 10	Scale:	1:12
Customer:	CANADIAN COAST GUARD	Site Name/Code:	SQUIRREL ISLAND, ON	Job No:	3944		
Drawing Title:						Drawing No.	
ANTI-CLIMB CROSS SECTION						3944.960.130.3	

Rev	Rev'd By	App'd By	Rev. Description	Date
A	MO		ISSUE FOR APPROVAL	09 MAR 10

Notes:  
 1. ALL DIMENSIONS ARE IN INCHES



ELEVATION




PLAN VIEW



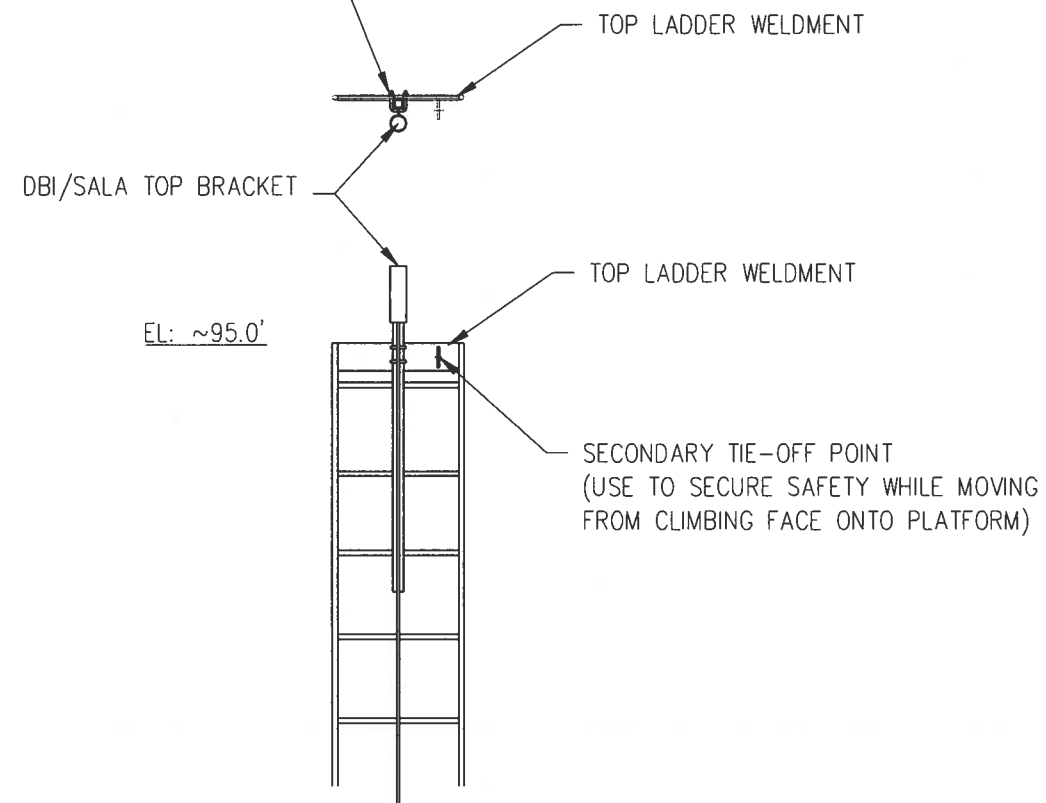
Rev.	Rev'd By.	App'd By.	Rev. Description	Date:
A	MO		ISSUE FOR APPROVAL	09 MAR 10

Notes:  
1. ALL DIMENSIONS ARE IN INCHES

Project No:		F2618-080103	
Project Description:		NAVAID TOWER & EQUIPMENT	
 <b>ALLAN PIPE FAB INC.</b> 395 DOBBIE DRIVE CAMBRIDGE, ON. CANADA P: (519) 622-6013 F: (519) 622-7062			
Drawn By:	Checked By:	Date:	Scale:
MO		09 MAR 10	1:14
Customer:	Site Name/Code:	Job No:	
CANADIAN COAST GUARD	SQUIRREL ISLAND, ON	3944	
Drawing Title:		Drawing No.	
LIGHT MOUNT DETAILS		3944.960.134-1	



REFER TO DBI/SALA INSTALLATION INSTRUCTIONS  
(CONNECT TOP BRACKET TO ANGLE)



ELEVATION

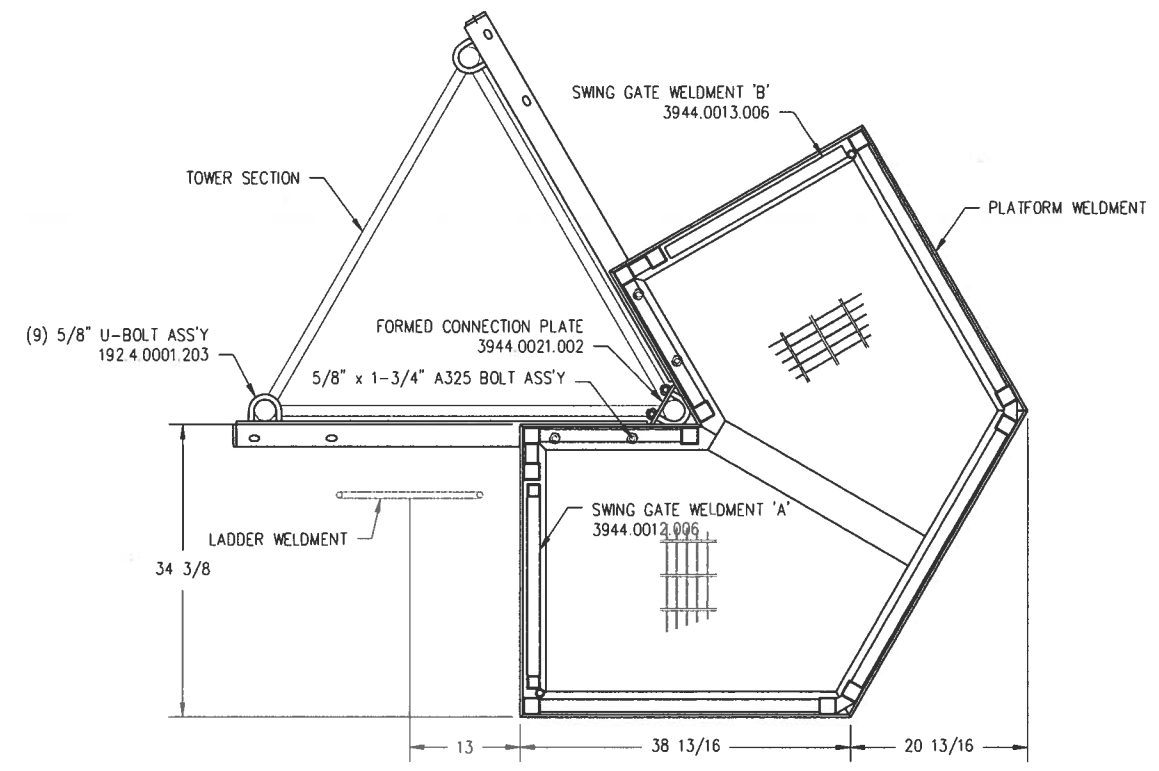
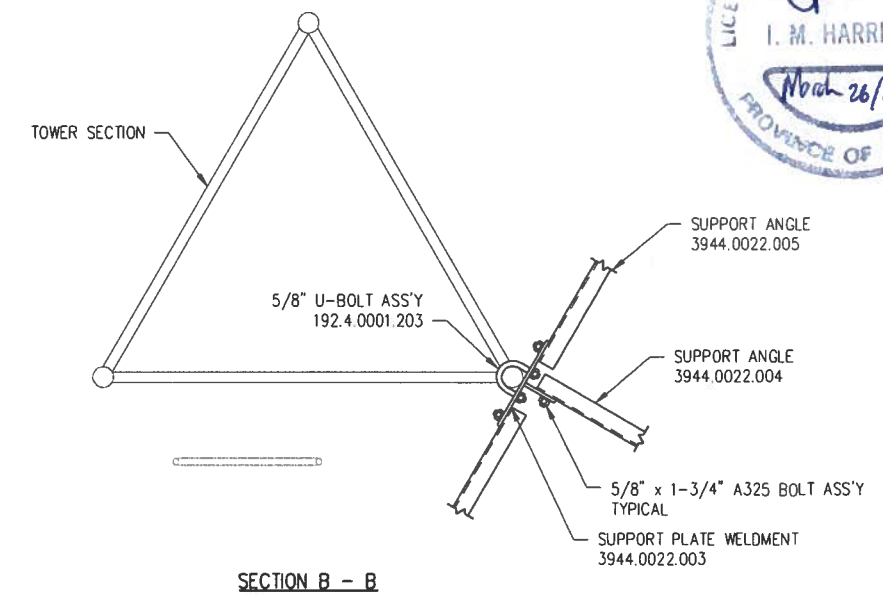
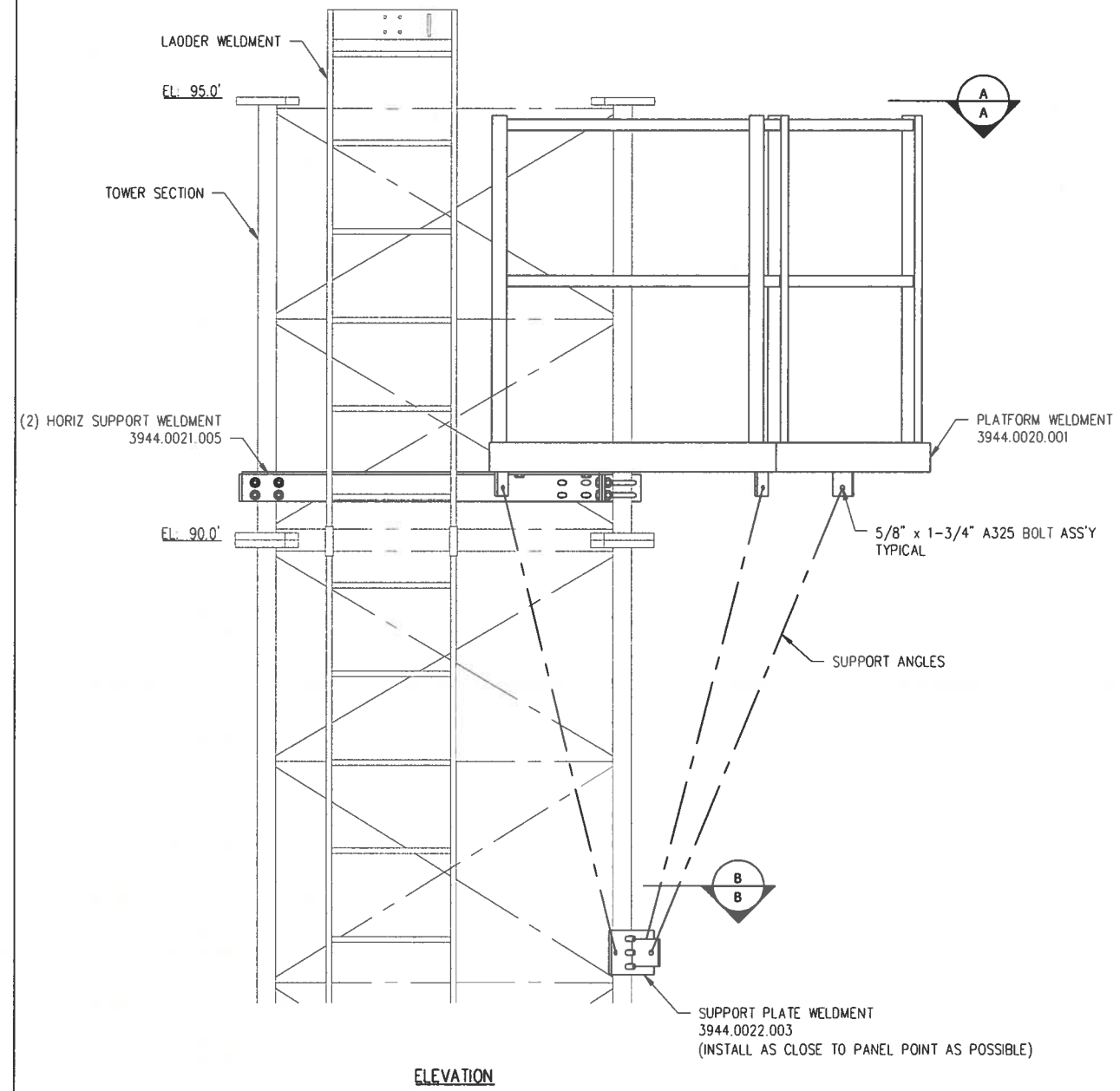


Project No:	F2618-080103
Project Description:	NAVAID TOWER & EQUIPMENT

Rev.	Rev'd By.	App'd By.	Rev. Description	Date:
A	MO		ISSUE FOR APPROVAL	09 MAR 10

Notes:  
1. ALL DIMENSIONS ARE IN INCHES

		<b>ALLAN PIPE FAB INC.</b> 395 DOBBIE DRIVE CAMBRIDGE, ON. CANADA P: (519) 622-6013 F: (519) 622-7062	
		Drawn By: MO Customer: CANADIAN COAST GUARD	Checked By: Site Name/Code: SQUIRREL ISLAND, ON
Drawing Title: FALL PROTECTION DETAILS			Drawing No: 3944.960.150-1



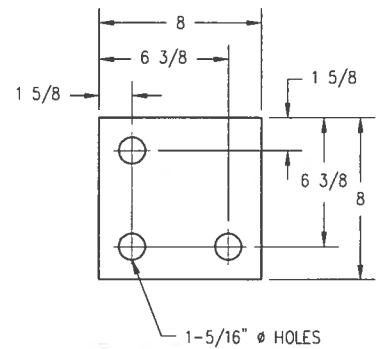
Rev.	Rev'd By	App'd By	Rev. Description	Date	Rev.	Rev'd By	App'd By	Rev. Description	Date
A	MO		ISSUE FOR APPROVAL	09 MAR 10					

Notes:  
 1. ALL DIMENSIONS ARE IN INCHES  
 2. INSTALL PLATFORM SUPPORT AS CLOSE TO PANEL POINTS AS POSSIBLE

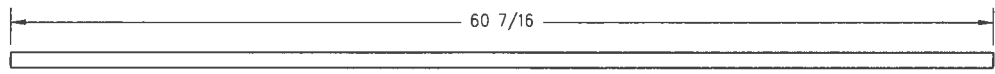
Project No: F2618-080103  
 Project Description: NAVOID TOWER & EQUIPMENT

**ALLAN PIPE FAB INC.**  
 396 DOBBIE DRIVE  
 CAMBRIDGE, ON, CANADA  
 P: (519) 622-6013 F: (519) 622-7062

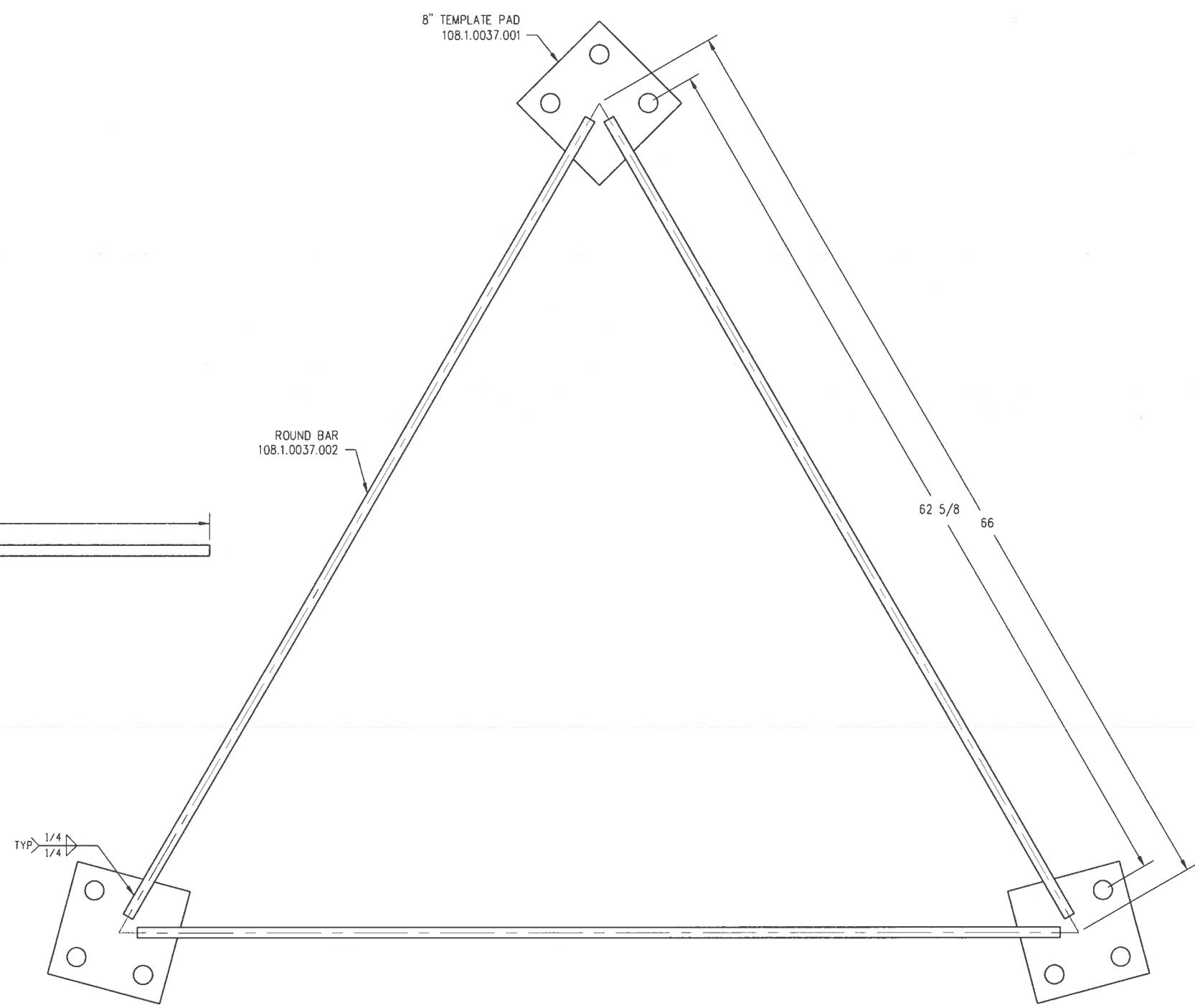
Drawn By: MO Checked By: Date: 09 MAR 10 Scale: 1:14  
 Customer: CANADIAN COAST GUARD Site Name/Code: SQUIRREL ISLAND, ON Job No: 3944  
 Drawing Title: WORK PLATFORM DETAILS Drawing No: 3944.960.190-1



**8" TEMPLATE PAD**  
 Part No: 108.1.0037.001-A  
 Material: 1/4" x 8" Flat Bar  
 Bare (lbs): 4.5  
 Galv. (lbs): N/A



**ROUND BAR**  
 Part No: 108.1.0037.002-A  
 Material: 7/8" Round Bar  
 Bare (lbs): 10.8  
 Galv. (lbs): N/A



**NOTE:**  
 FIT TEMPLATE TO BASE OF SECTION # 960.3.0097.001

**TEMPLATE WELDMENT (66" FW 8" PAD)**  
 Part No: 108.2.0037.003-A  
 Material: AS SHOWN  
 Bare (lbs): 45.9  
 Galv. (lbs): N/A

Rev.	Rev'd By	App'd By	Rev. Description	Date	Rev.	Rev'd By	App'd By	Rev. Description	Date
A	MO		ISSUE FOR FABRICATION	08 JAN 22					

**Notes:**

- DO NOT GALVANIZE '108.1' OR '108.2' AFTER FABRICATION
- ALL WELDING SHALL CONFORM TO CSA W-59M1989
- ALL DIMENSIONS ARE IN INCHES
- ALL STRUCTURAL STEEL SHALL BE G40.21 - 300W (44W) OR BETTER

**ALLAN PIPE FAB INC.**  
 395 DOBBIE DRIVE  
 CAMBRIDGE, ON, CANADA  
 P: (519) 622-6013 F: (519) 622-7062

AP  
 ALLAN PIPE FAB

Drawn By: MO	Checked By:	Date: 08 JAN 22	Scale: 1:6
Customer:	Site Name/Code: 66" FW 8" PAD	Job No: 0000	
Drawing Title: 66" TEMPLATE WELDMENT		Drawing No: 108.3.0037	