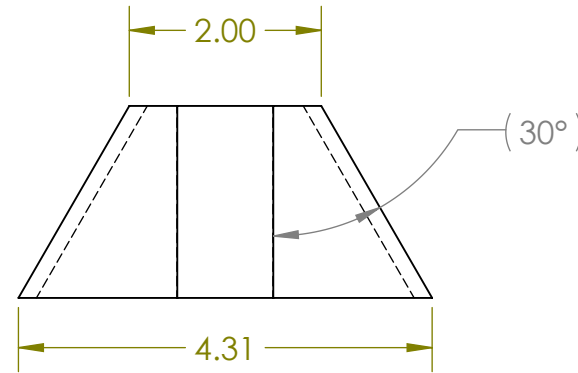
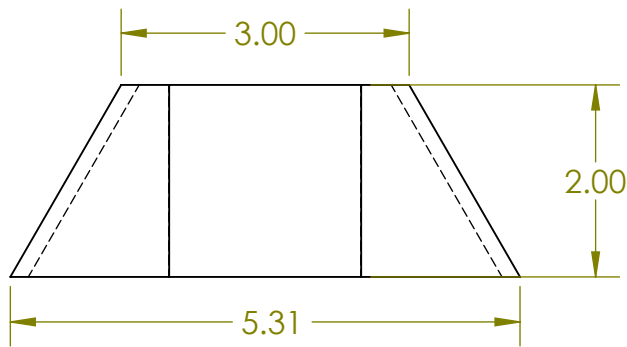
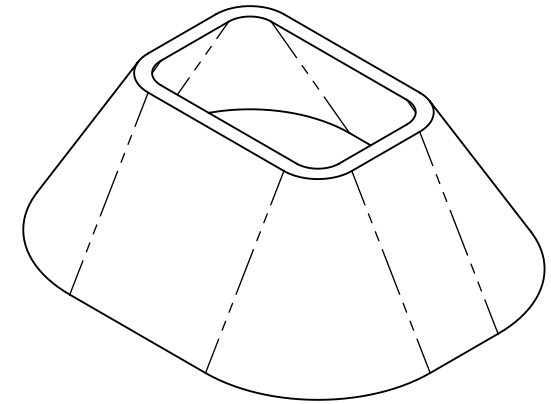
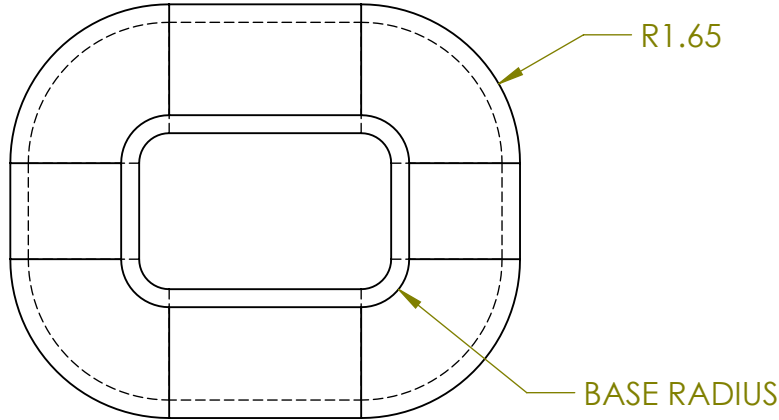



2

1

NOTES :

- BASE RADII MATCHES TUBING RADII USED FOR ASSEMBLY
- WALL THICKNESS IS SAME AS TUBING
- THIS DRAWING SHOWS SPECS ONLY



UNLESS OTHERWISE SPECIFIED:		NAME	SIGNATURE	DATE	PROJECT
DIMENSIONS ARE IN INCHES TOLERANCES: ANGULAR: MACH ± .1° FRACTIONAL ± 1/32 TWO PLACE DECIMAL ± .010" THREE PLACE DECIMAL ± .005" BREAK ALL SHARP EDGES .01" - .02"		DRAWN		mm/dd/yyyy	HIGH SECURITY FENCE STEEL SKIDS - BOTTOM FLARE
INTERPRET GEOMETRIC TOLERANCING PER:		CHECKED			
MATERIAL Material <not specified>		ENG APPR.			
FINISH		MFG APPR.			
DO NOT SCALE DRAWING		Q.A.			TITLE STEEL SKIDS - BOTTOM FLARE
				PROPRIETARY AND CONFIDENTIAL THE INFORMATION CONTAINED IN THIS DRAWING IS THE SOLE PROPERTY OF THE RCMP . ANY REPRODUCTION IN PART OR AS A WHOLE WITHOUT THE WRITTEN PERMISSION OF THE RCMP IS PROHIBITED.	
				SIZE A	DWG. NO.
		SCALE: 1:2 WEIGHT: 0.17 lb			SHEET 1 OF 1

2

1

B

B

A

A