

Fisheries and Oceans Pêches et Océans  
Canada  
Small Craft Harbours Ports pour Petits Bateaux  
Maritimes/Gulf Region Région des Maritimes/Golfe

**SURVEY NOTES**

SURVEY PARTY CHIEF RICK SURETTE  
 SURVEY VESSEL N/A  
 SURVEY DATE(S) JUNE 9, 1994

SOUNDER TYPE: LEADLINE  
 SOUNDER SETTING N/A VEL. OF SOUND N/A  
 DEPTH GATE USED N/A FRE. OF TRANS. N/A

POSITIONING SYSTEM USED N/A  
 LAND SURVEY POSITION BY WILD T1600

RAW DATA FILE(S): W53.XYZ  
 CAD DRAWING FILE(S): W53-3-01.DWG

TIDAL REDUCTION SCHEME PWC BM, TOP OF CONCRETE DECK S.W. CORNER, NEW WHARF SECTION, ELEV 2.85m C.D. REF. TO CHS BM 2-1956 3.122m ABOVE C.D.

OFFICE PROCESSOR CLARE MCCARTHY  
 DATE OF PROCESSING JUNE 20, 1994

MODE OF PLOTTING N/A  
 MATRIX CELL WIDTH X LENGTH N/A

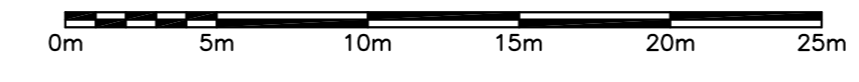
CONTROL POINTS:

PL. NAME	EASTING	NORTHING	CD ELEV	DESCRIPTION
10749	329147.245	5012078.173	N/A	LRIS CONTROL
10653	326936.141	5012205.996	N/A	LRIS CONTROL
1	329109.925	5011130.959	4.36	PWC CONTROL
2	329145.609	5011148.592	2.845	PWC CONTROL
3	329244.486	5011201.255	3.589	PWC CONTROL

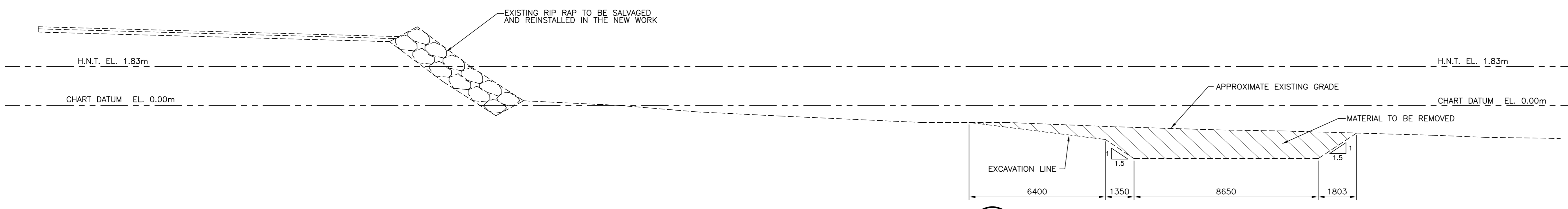
**GENERAL NOTES (EXISTING CONDITIONS AND REMOVALS)**

- CHART DATUM IS, BY INTERNATIONAL AGREEMENT, A PLANE WHICH THE TIDE WILL SELDOM FALL. THE CANADIAN HYDROGRAPHIC SERVICE HAS ADOPTED THE PLANE OF THE LOWEST NORMAL TIDE (LNT) AS CHART DATUM. AS THE RISE, FALL AND THE RANGE OF TIDES VARIES DAILY, THE CANADIAN TIDE AND CURRENT TABLES AS ISSUED BY CANADIAN HYDROGRAPHIC SERVICE, SHOULD BE CONSULTED FOR TIDAL PREDICTIONS AND OTHER TIDAL INFORMATION RELATING TO THE WORK.
- ALL DIMENSIONS SHOWN ARE IN MILLIMETRES AND ELEVATIONS ARE IN METRES. DO NOT SCALE FROM DRAWINGS, FIGURED DIMENSIONS ARE TO BE FOLLOWED.
- THE CONTRACTOR SHALL BE RESPONSIBLE FOR OBTAINING ALL PERMITS NECESSARY PRIOR TO COMMENCING WORK.
- THE CONTRACTOR SHALL MAKE HIMSELF THOROUGHLY FAMILIAR WITH THE EXISTING CONDITIONS PRIOR TO COMMENCING WORK AND TO INFORM THE ENGINEER IN WRITING OF ANY DISCREPANCIES BETWEEN EXISTING CONDITIONS AND THIS PLAN BEFORE COMMENCING WORK.
- FULL GEOTECHNICAL REPORT IS AVAILABLE FOR VIEWING AT PUBLIC WORKS AND GOVERNMENT SERVICES CANADA AT 1713 BEDFORD ROW HALIFAX, N.S.
- CONTRACTOR TO CONSULT WITH NOVA SCOTIA POWER INC. PRIOR TO REMOVAL AND REPLACEMENT OF POWER SUPPLY.

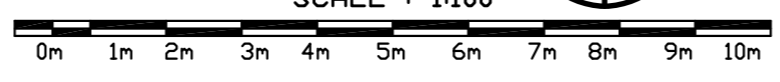
**SITE PLAN**  
SCALE: 1:250



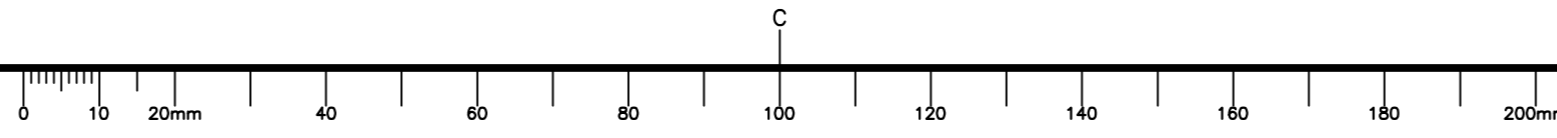
DREDGE COORDINATES		
MARK	EASTING	NORTHING
A	E 642 069.784	N 5 011 220.000
B	E 642 074.756	N 5 011 227.078
C	E 642 079.748	N 5 011 223.572
D	E 642 074.776	N 5 011 216.494

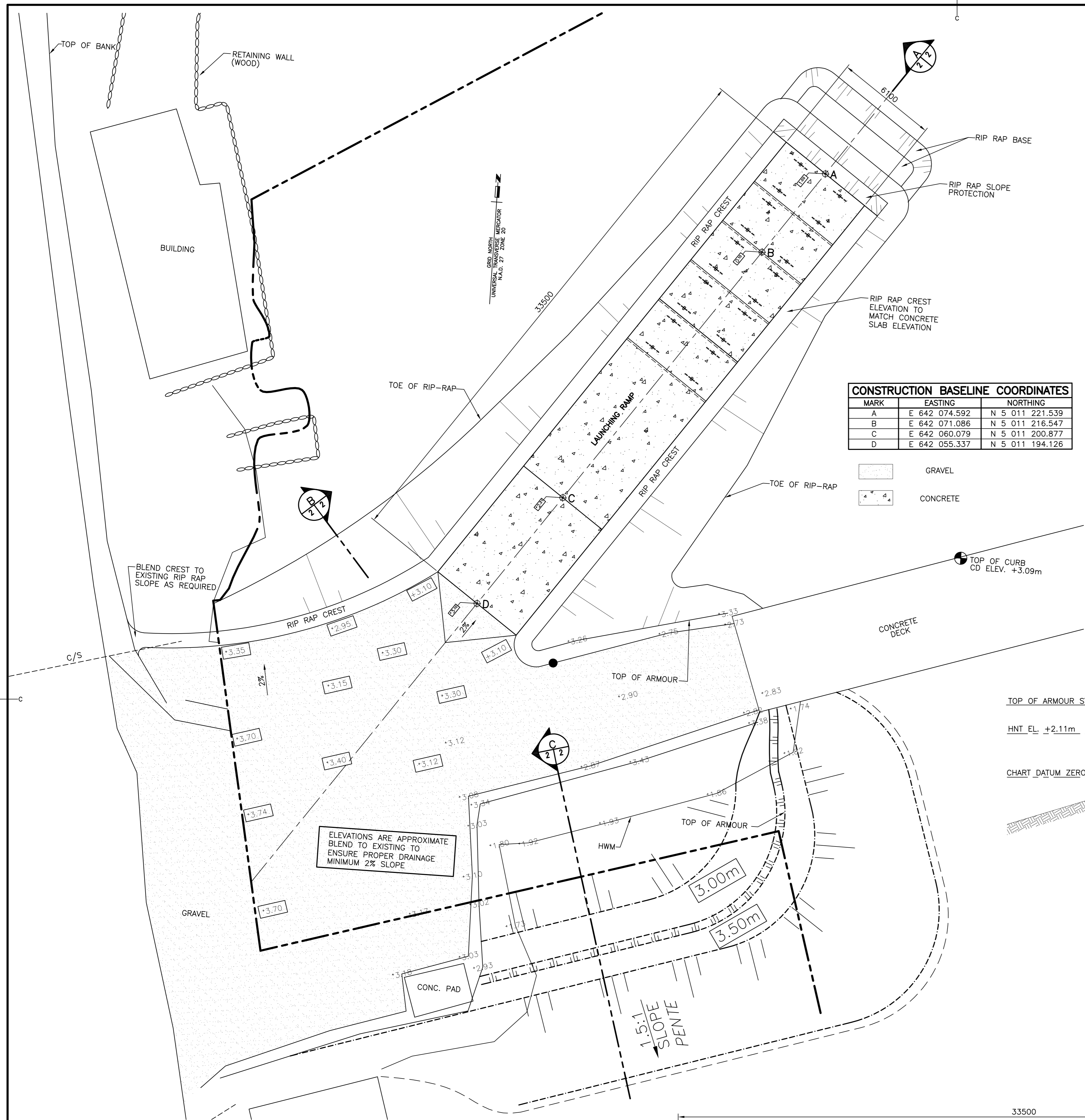


**SECTION A**  
SCALE: 1:100



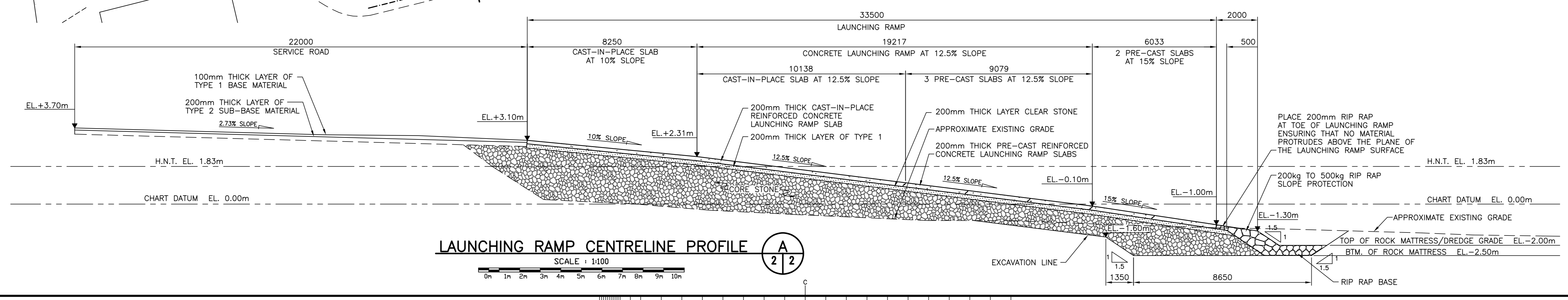
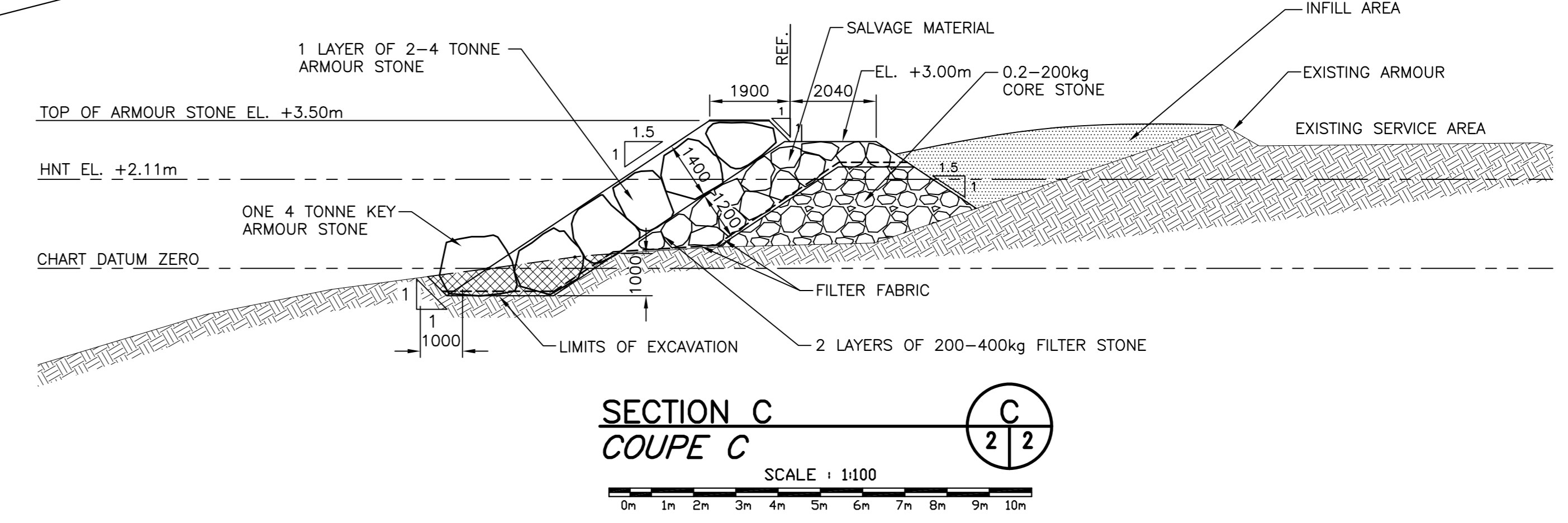
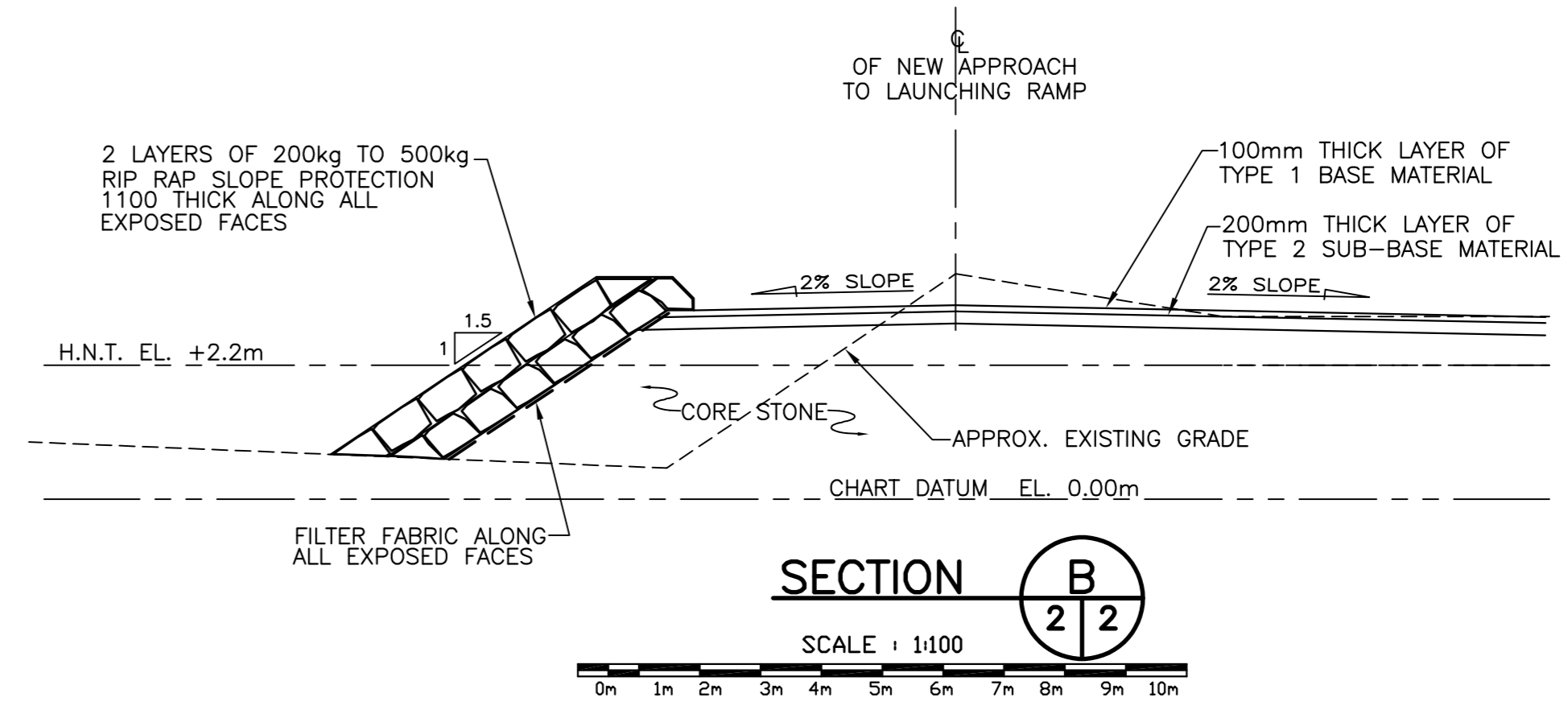
0	
revisions	date
project	project
<b>NEW LAUNCHING RAMP</b>	
<b>UPPER WHITEHEAD</b>	
<b>GUYSBOROUGH CO.,</b>	
<b>NOVA SCOTIA</b>	
drawing	design
<b>EXISTING CONDITIONS AND REMOVALS</b>	
designed	SCH STAFF
date	MARCH 2013
drawn	SCH STAFF
date	MARCH 2013
approved	approved
date	
Tender	Submission
Project Manager	Administrateur de projet
project number	no. du projet
<b>C2-00520</b>	
drawing no.	no. du dessin
<b>Sht. 1 of 3</b>	





MARK	EASTING	NORTHING
A	E 642 074.592	N 5 011 221.539
B	E 642 071.086	N 5 011 216.547
C	E 642 060.079	N 5 011 200.877
D	E 642 055.337	N 5 011 194.126

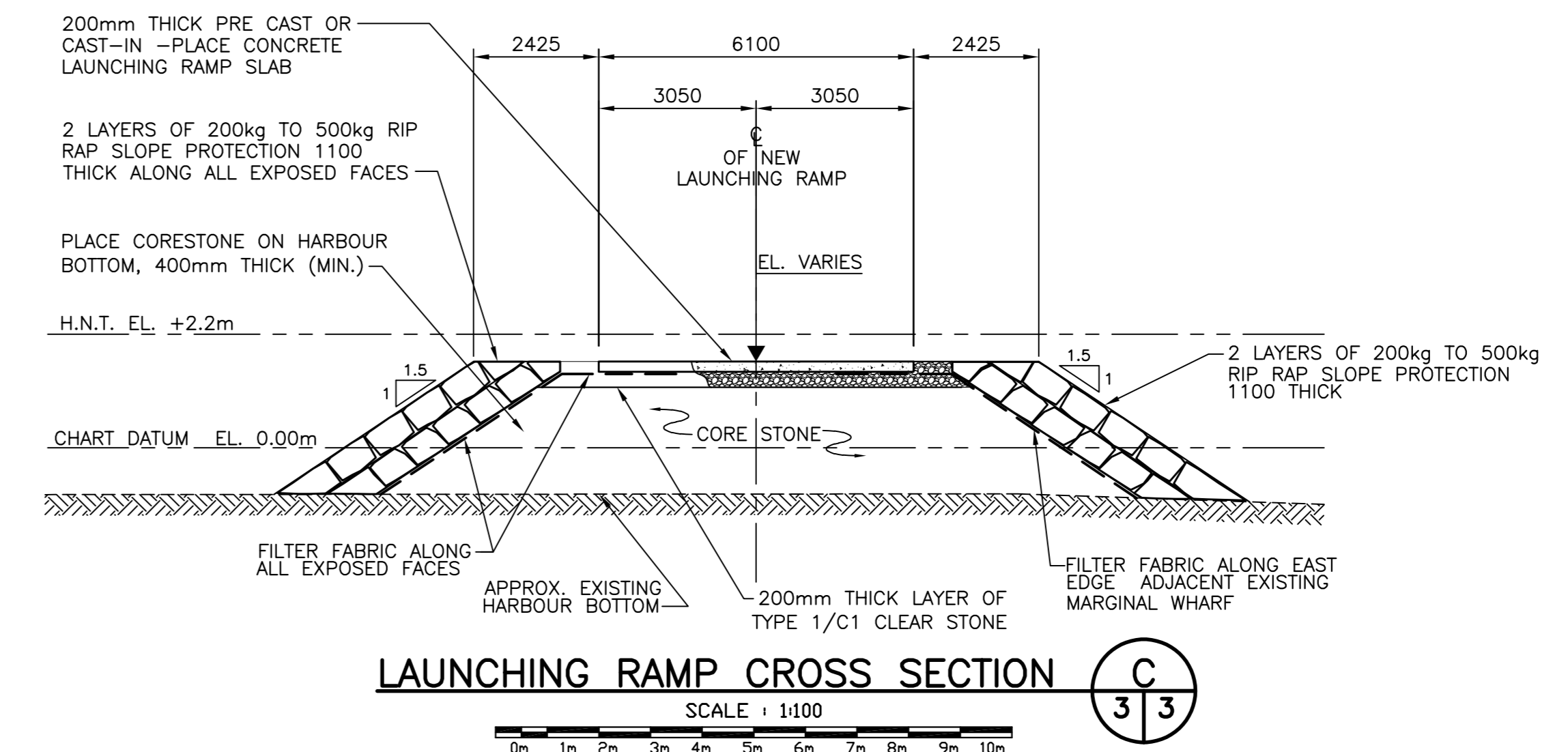
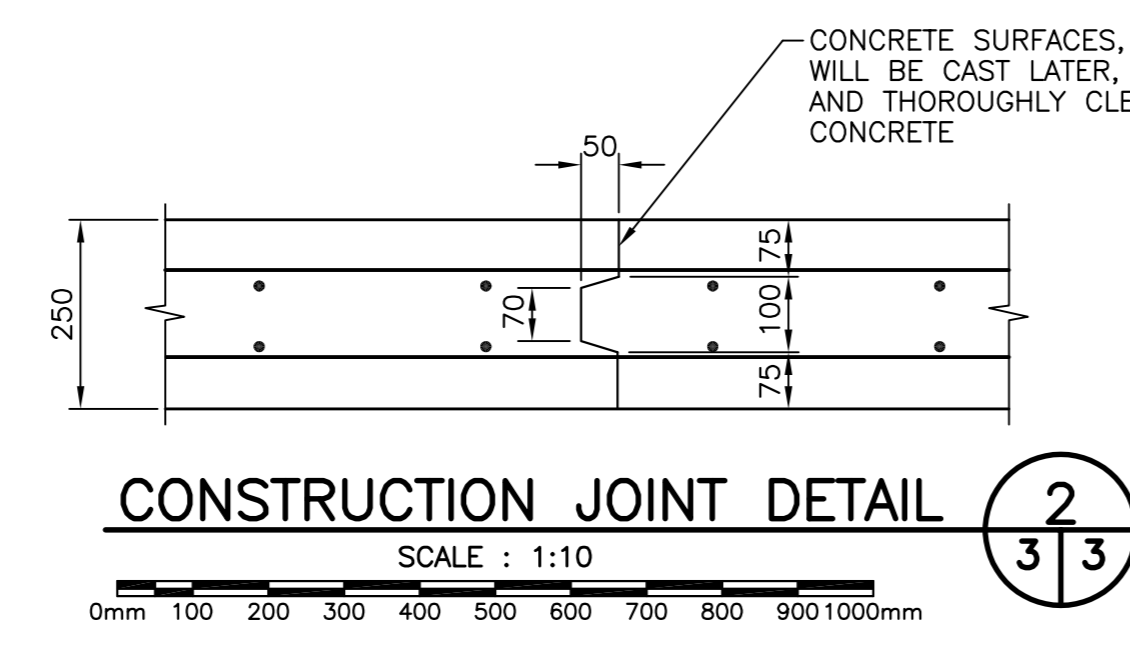
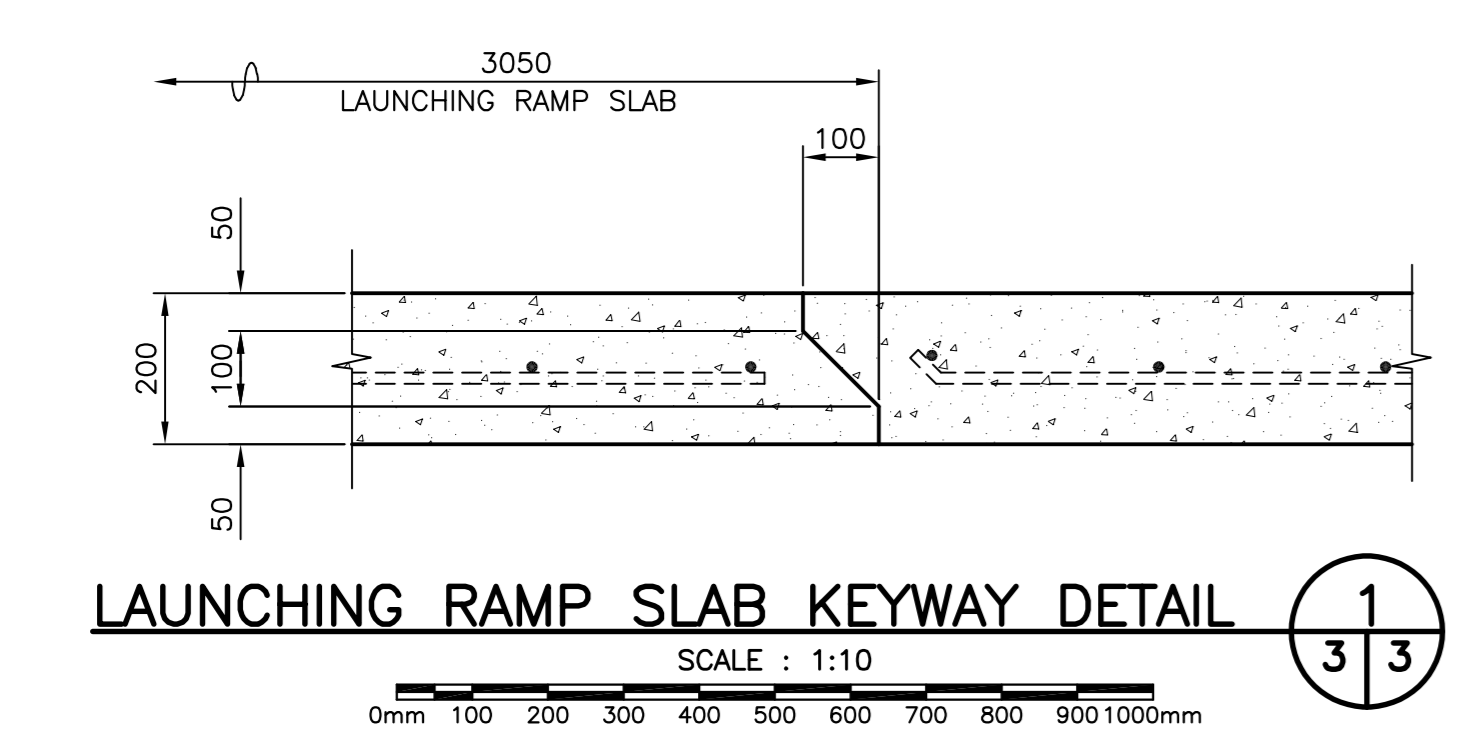
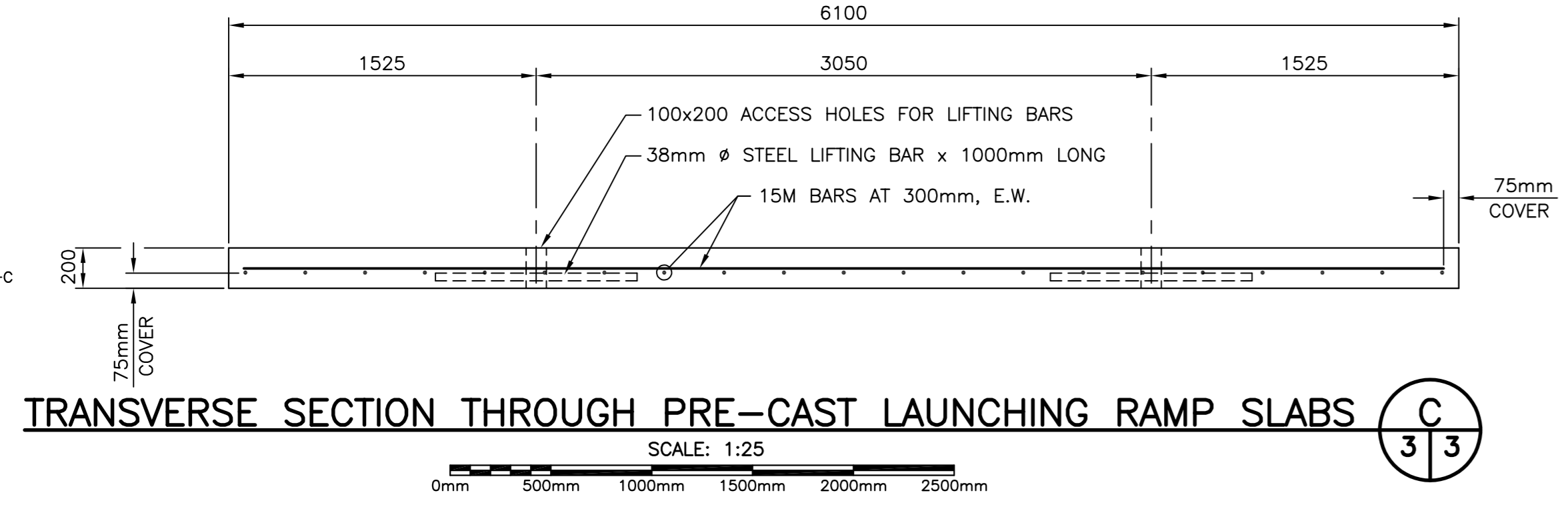
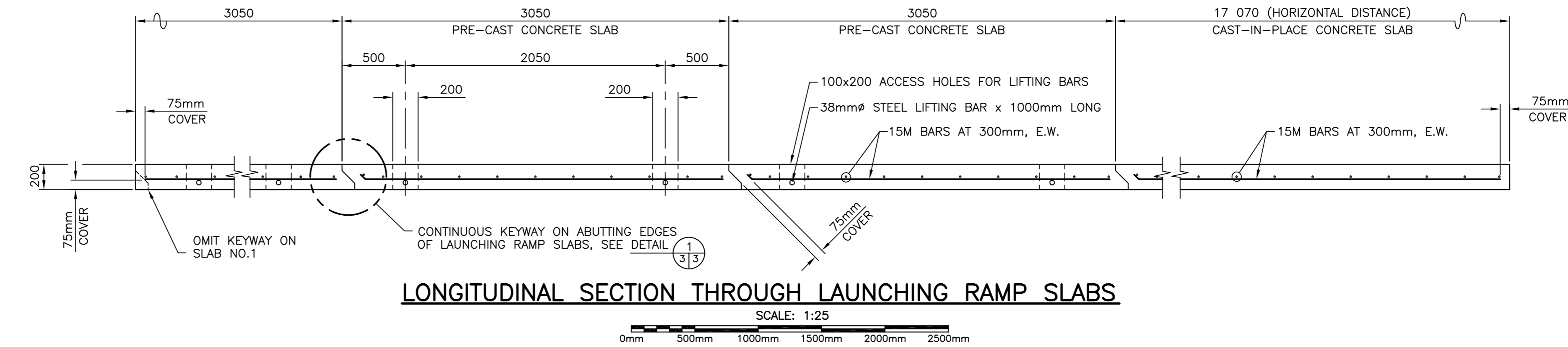
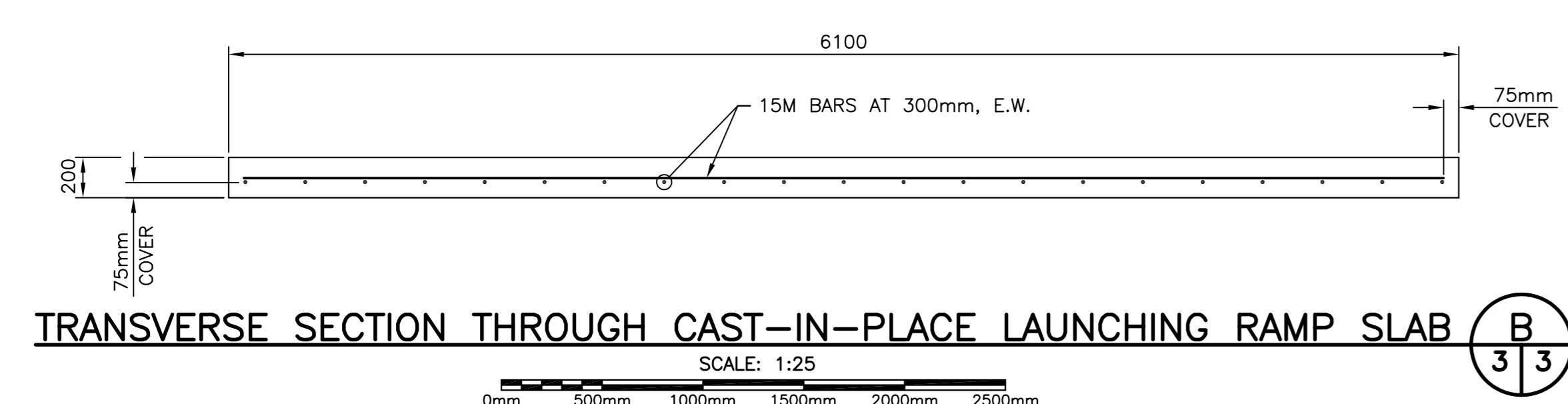
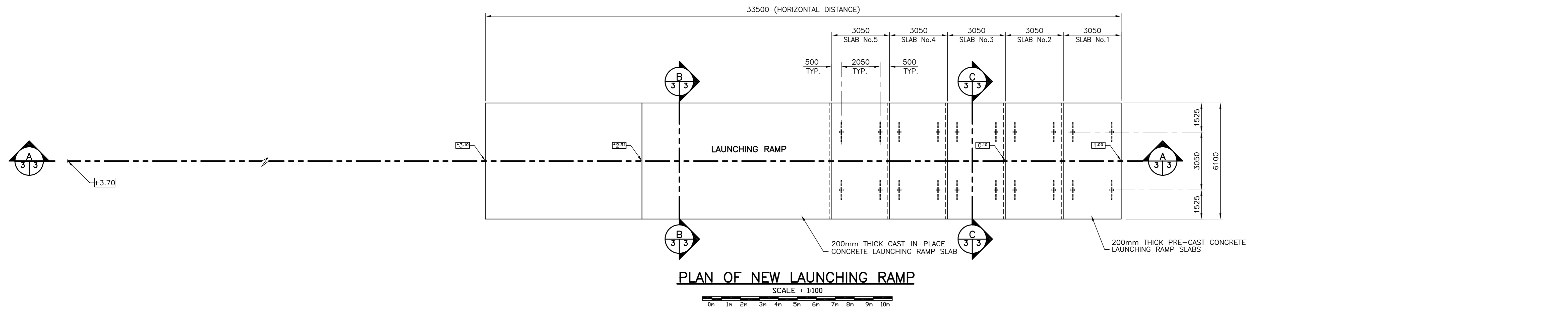
- GRAVEL
- CONCRETE



revisions	date	project
0		

**NEW LAUNCHING RAMP**  
**UPPER WHITEHEAD**  
**GUYSBOROUGH CO.,**  
**NOVA SCOTIA**

designed SCH STAFF conçu  
date MARCH 2013  
drawn SCH STAFF dessiné  
date MARCH 2013  
approved  
approved  
date  
Tender  
Project Manager Administrateur de projet  
project number no. du projet  
**C2-00520**  
drawing no. no. du dessin  
**Sht. 2 of 3**



0		
revisions		date
project		project
<b>NEW LAUNCHING RAMP</b>		
<b>UPPER WHITEHEAD</b>		
<b>GUYSBOROUGH CO.,</b>		
<b>NOVA SCOTIA</b>		
drawing		dessin
<b>PLAN, SECTIONS,</b>		
<b>AND DETAILS</b>		
designed	SCH STAFF	conçu
date	MARCH 2013	
drawn	SCH STAFF	dessiné
date	MARCH 2013	
approved		approuvé
date		
Tender		Soumission
Project Manager		Administrateur de projet
project number		no. du projet
	<b>C2-00520</b>	
drawing no.		no. du dessin
	<b>Sht. 3 OF 3</b>	