

Fisheries and  
Oceans Canada  
Small Craft Harbours  
Maritimes/Gulf Region

Pêches et  
Océans Canada  
Ports pour Petits Bateaux  
Région des Maritimes/Golfe

**NEW HAVEN WHARF REPAIR  
NEW HAVEN  
VICTORIA COUNTY  
NOVA SCOTIA**

**DRAWING LIST:**

MARINE

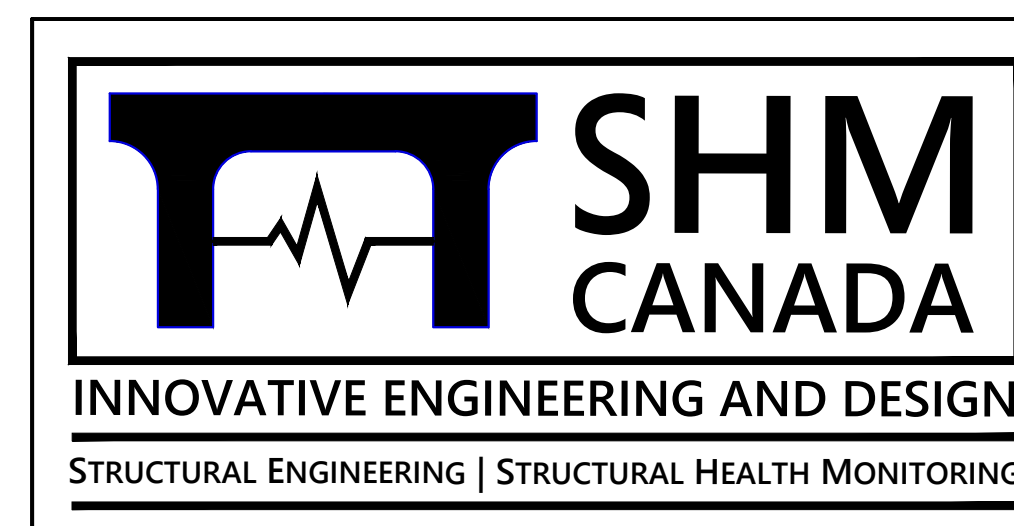
G0 COVER

M1 SITE PLAN AND REPAIR DETAILS

M2 PLAN AND DETAILS WHARF 401

M3 SECTIONS AND DETAILS

**PROJECT NO. C2-00707**



301 - 255 Lacewood Drive  
Halifax, NS B3M 4G2  
Tel: (902) 431-7461  
Fax: (902) 431- 0242  
[www.shmcanada.com](http://www.shmcanada.com)

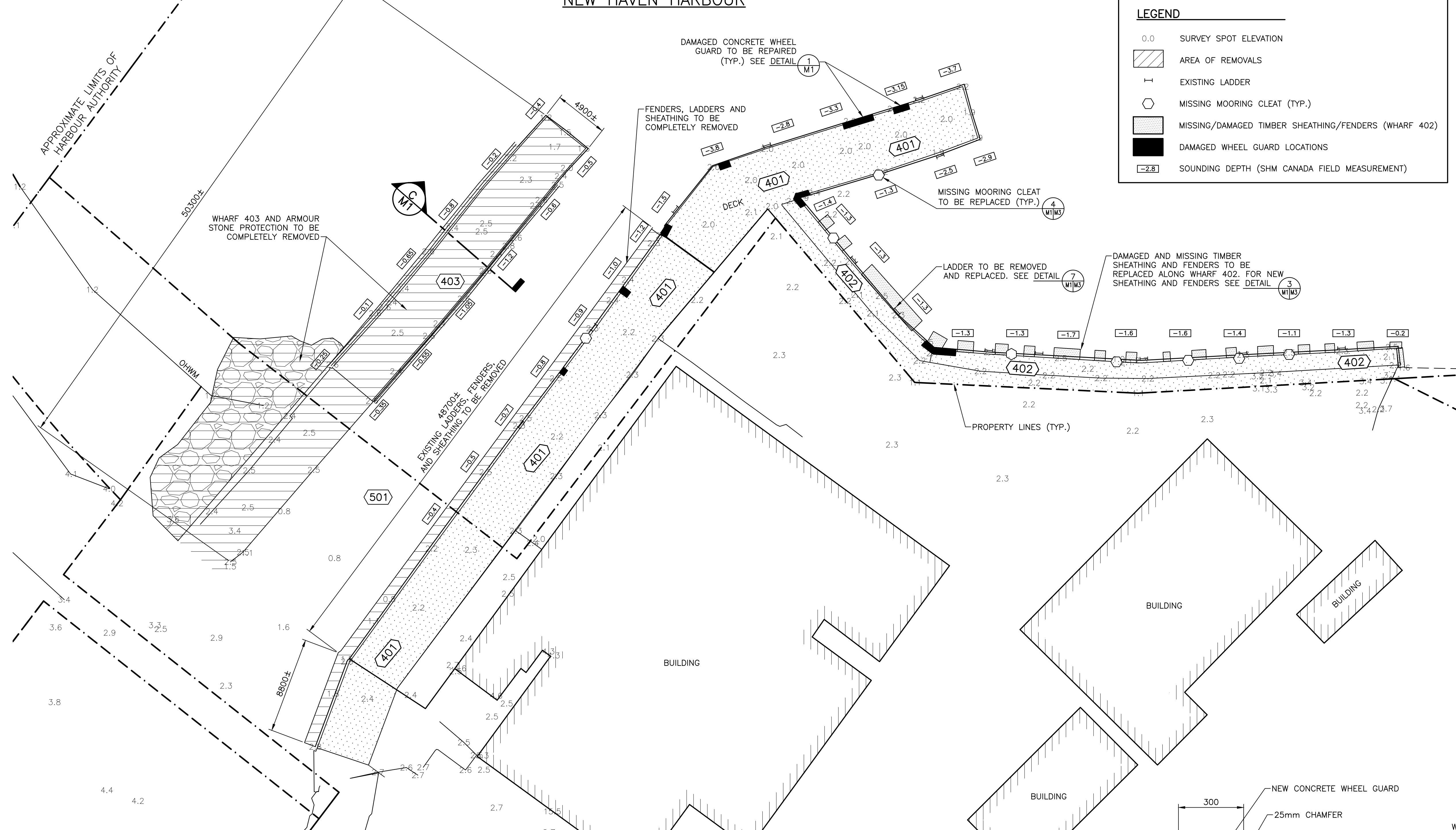
**ISSUED FOR TENDER      OCT. 31, 2023**

**Canada**

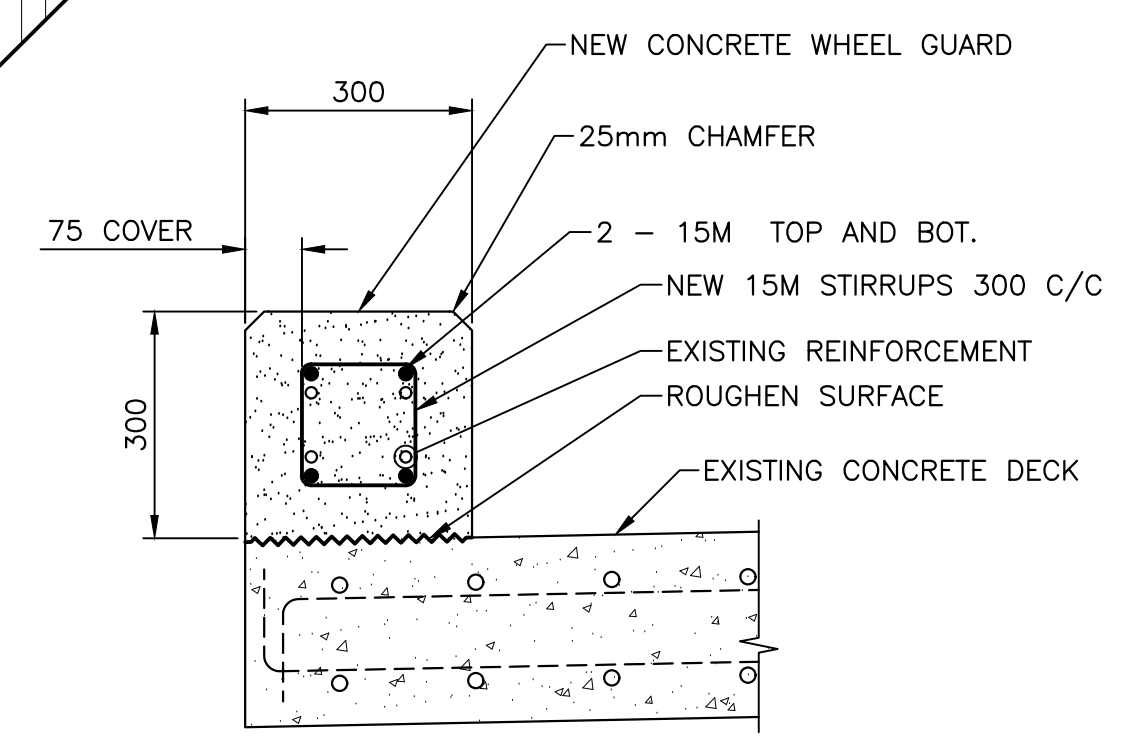
NEW HAVEN HARBOUR

**LEGEND**

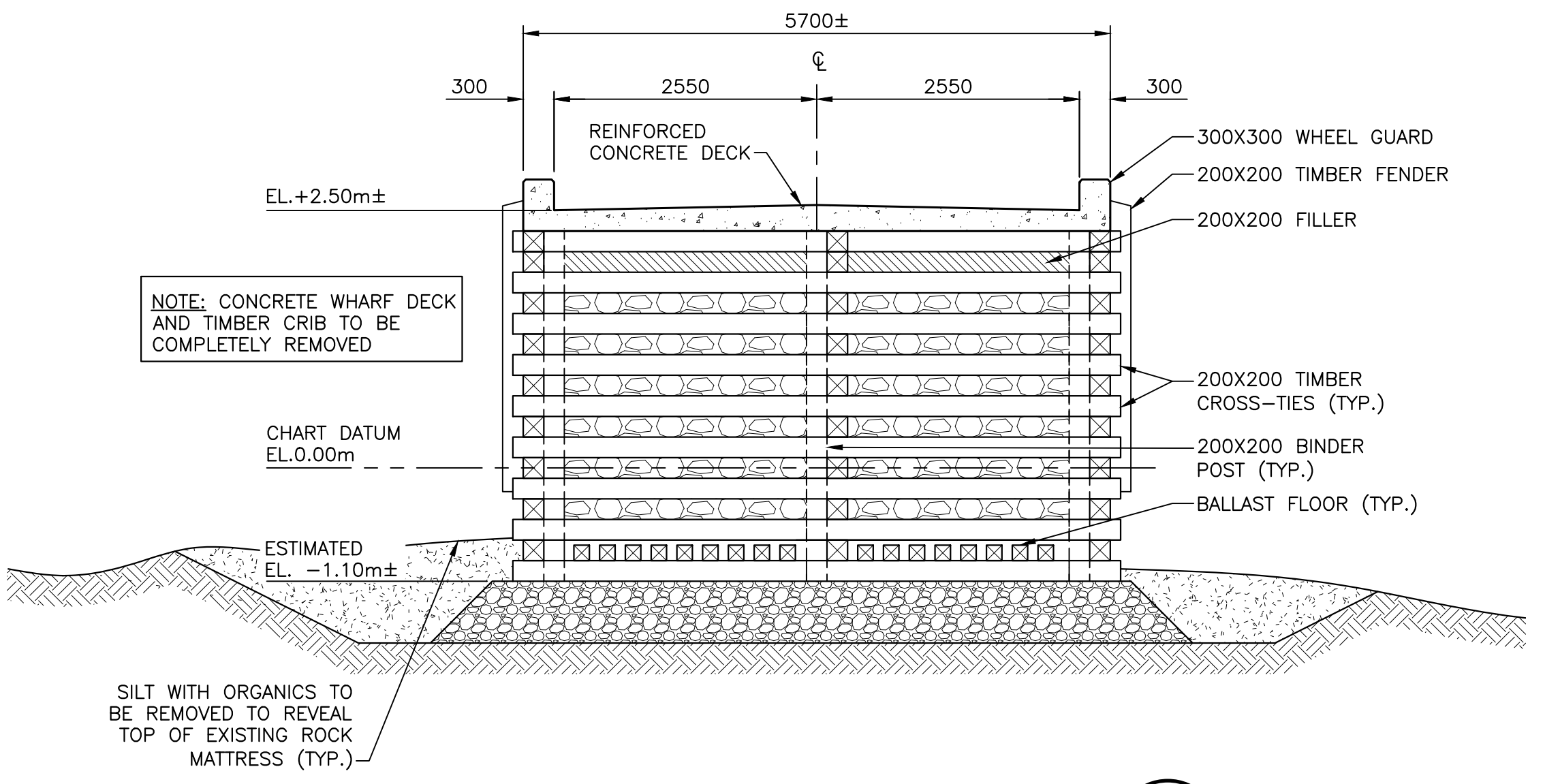
- 0.0 SURVEY SPOT ELEVATION
- AREA OF REMOVALS
- EXISTING LADDER
- MISSING MOORING CLEAT (TYP.)
- MISSING/DAMAGED TIMBER SHEATHING/FENDERS (WHARF 402)
- DAMAGED WHEEL GUARD LOCATIONS
- SOUNDING DEPTH (SHM CANADA FIELD MEASUREMENT)



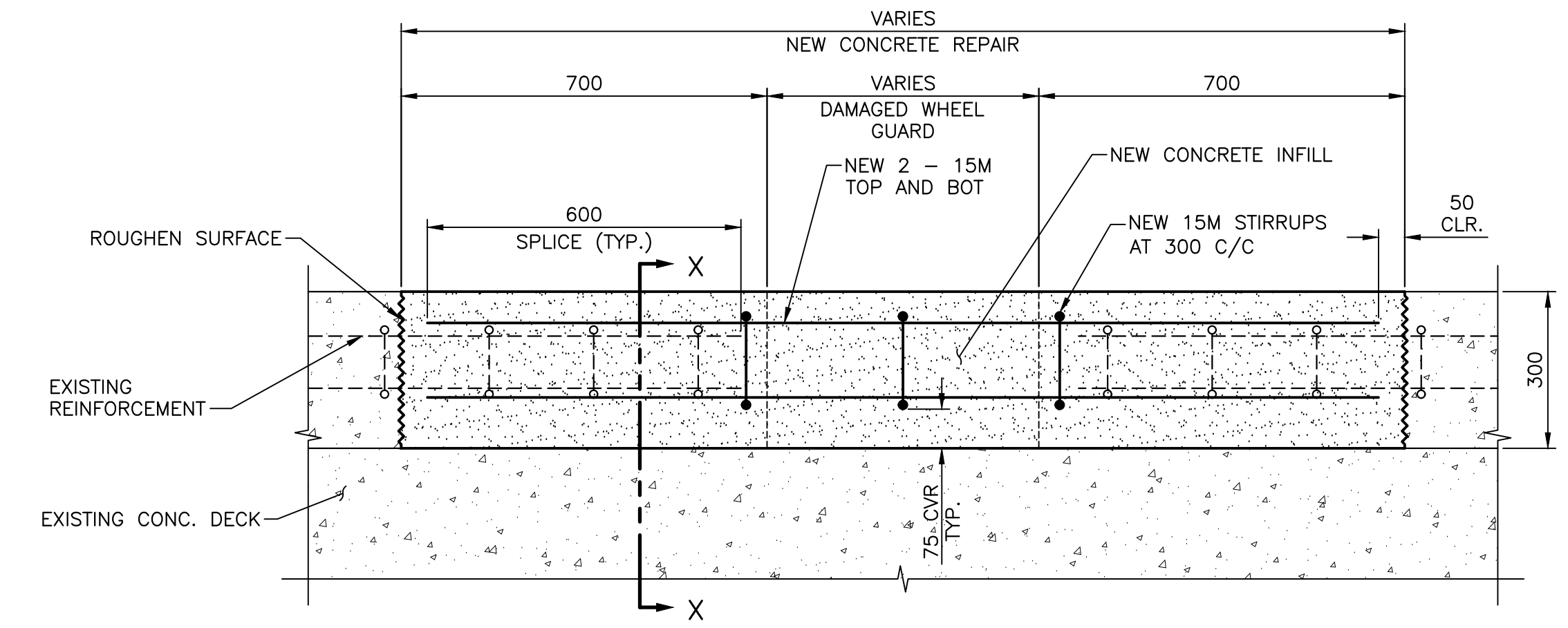
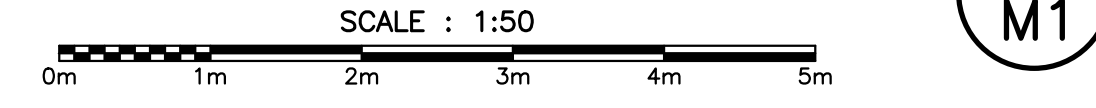
EXISTING WHARF SITE PLAN



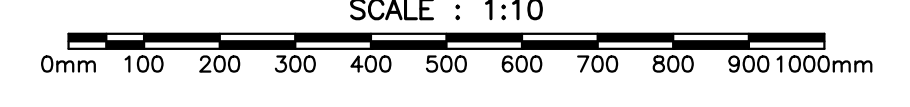
- WHEEL GUARD REPAIR NOTES:**
- DAMAGED WHEEL GUARD LOCATIONS REQUIRING REPAIR ARE TO BE VERIFIED BY THE DEPARTMENTAL REPRESENTATIVE PRIOR TO COMMENCING WORK (TOTAL REPAIR LENGTH ESTIMATE = 70m).
  - CONDITION OF EXISTING REINFORCING STEEL TO BE VERIFIED BY DEPARTMENTAL REPRESENTATIVE. IF REINFORCING STEEL IS DEEMED TO BE IN POOR CONDITION, WHEEL GUARD CONCRETE IS TO BE SAW CUT AND REMOVED TO 700mm BEYOND EXTENTS OF DAMAGE ALONG LENGTH AND TO FULL DEPTH OF WHEEL GUARD. DAMAGED, CORRODED, OR MISSING REINFORCING IS TO BE REMOVED AND REPLACED AS PER DETAIL 1/M1.
  - IF NO DAMAGE TO EXISTING REINFORCING STEEL (AT DEPARTMENTAL REPRESENTATIVE'S DISCRETION), CONCRETE IS TO BE SAW CUT AND REMOVED TO 150mm BEYOND LENGTH OF DAMAGE AND TO FULL HEIGHT OF WHEEL GUARD. NO NEW REINFORCING REQUIRED.
  - EXISTING CONCRETE AT NEW JOINTS TO BE ROUGHENED, CLEANED, AND APPLIED WITH APPROVED BONDING AGENT. SEE DETAIL 1/M1 AND PROJECT SPECIFICATIONS FOR DETAILS.



SECTION - EXISTING WHARF 403



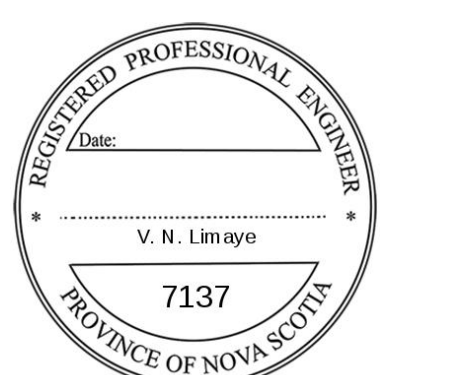
DETAIL - WHEEL GUARD REPAIRS



**SURVEY NOTES:**

- FEATURES DIGITIZED FROM ORTHORECTIFIED AERIAL PHOTOS FLOWN ON 2022-11-03.
  - ALL FILED DATA COLLECTED IN CVGD2013 AND SHIFTED TO CHART DATUM.
  - PROPERTY LINE INFORMATION FROM LRO PLAN NO. 1886 AND NOVA SCOTIA GROUND WATER ATLAS.
- GOVERNMENT OF CANADA - TIDE STATION WEBSITE [tides.gccc.ca/en/stations](https://tides.gccc.ca/en/stations)  
 BAY ST. LAWRENCE - 01520 DATUM SHIFT ELEV FROM CHART DATUM TO CGVD28: 0.478m  
 INGNISH BEACH - 00639 DATUM SHIFT ELEV FROM CHART DATUM TO CVGD28: 0.568m  
 DATUM DIFFERENCE BETWEEN CVGD28 AND CVGD2013 IS 0.594m  
 AVERAGE DISTANCE BETWEEN CHART DATUM IS 0.523m  
 DIFFERENCE BETWEEN CGVD2013 AND CHART DATUM AT SITE IS 1.117m

COORDINATE SYSTEM INFORMATION	
HORIZONTAL DATUM:	NAD83 (CSRS) EPOCH 2010.0
VERTICAL DATUM:	CHART DATUM
PROJECT:	6° UTM ZONE 20
COMBINED SCALE FACTOR AT THE SURVEY SITE:	1.000115



0	ISSUED FOR TENDER	OCT. 31, 2023
revisions		date

project: WHARF REPAIR NEW HAVEN HARBOUR VICTORIA COUNTY NOVA SCOTIA

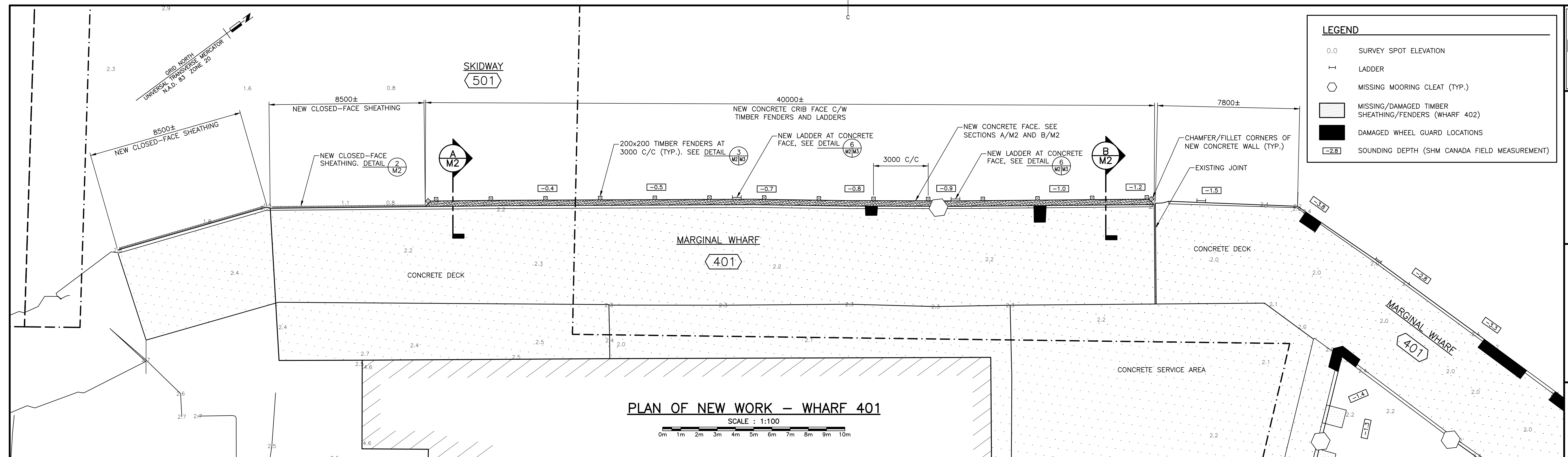
drawing: EXISTING WHARF SITE PLAN REMOVALS AND REPAIRS

designed V.L.	conçu
date	SEP. 2023
drawn	S.P./K.M.
date	OCT. 31, 2023
approved V.L.	approuvé
date	

Tender: Submission  
 DFO Project Manager: Administrateur de projets MPO

project number: C2-00707  
 no. du projet

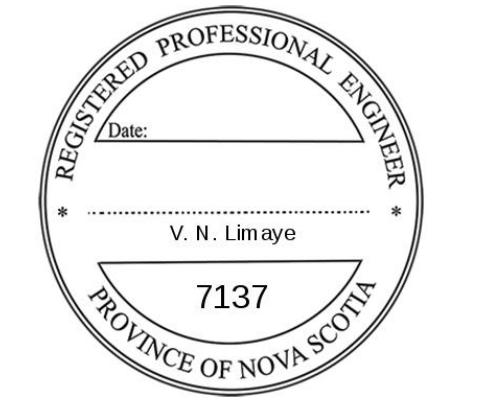
drawing no.: M1  
 no. du dessin



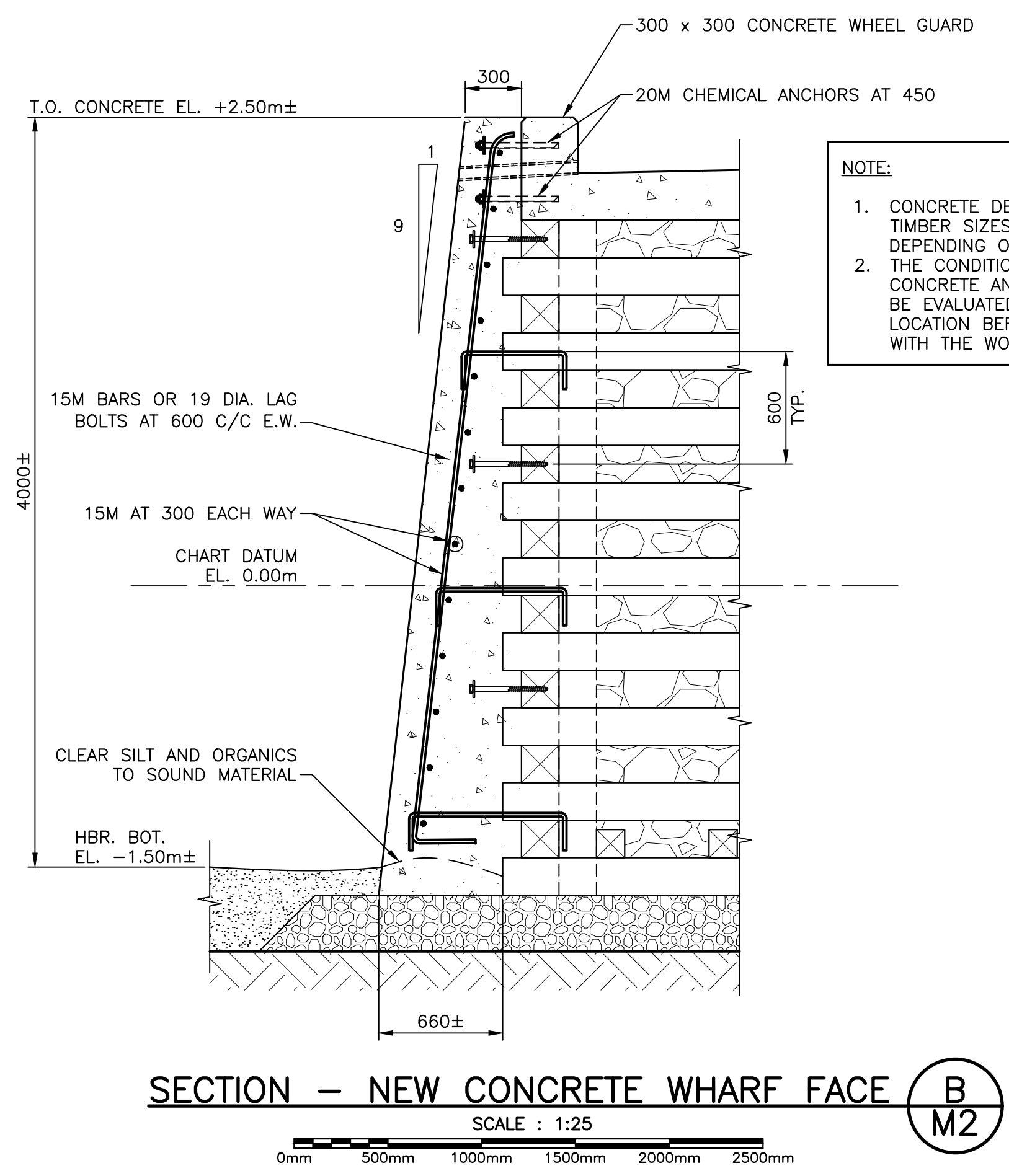
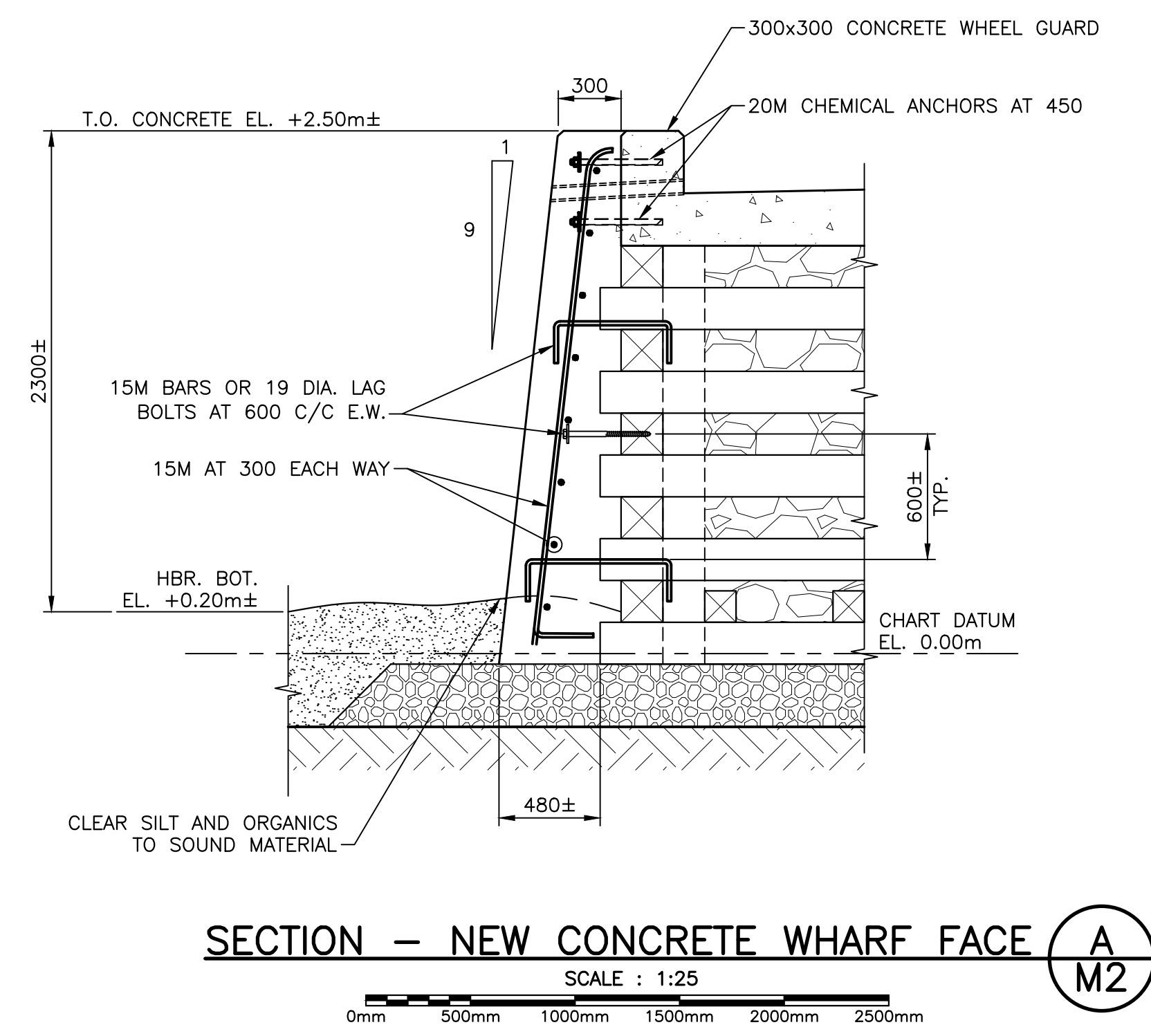
**LEGEND**

- 0.0 SURVEY SPOT ELEVATION
- L LADDER
- MISSING MOORING CLEAT (TYP.)
- MISSING/DAMAGED TIMBER SHEATHING/FENDERS (WHARF 402)
- DAMAGED WHEEL GUARD LOCATIONS
- 2.8 SOUNDING DEPTH (SHM CANADA FIELD MEASUREMENT)

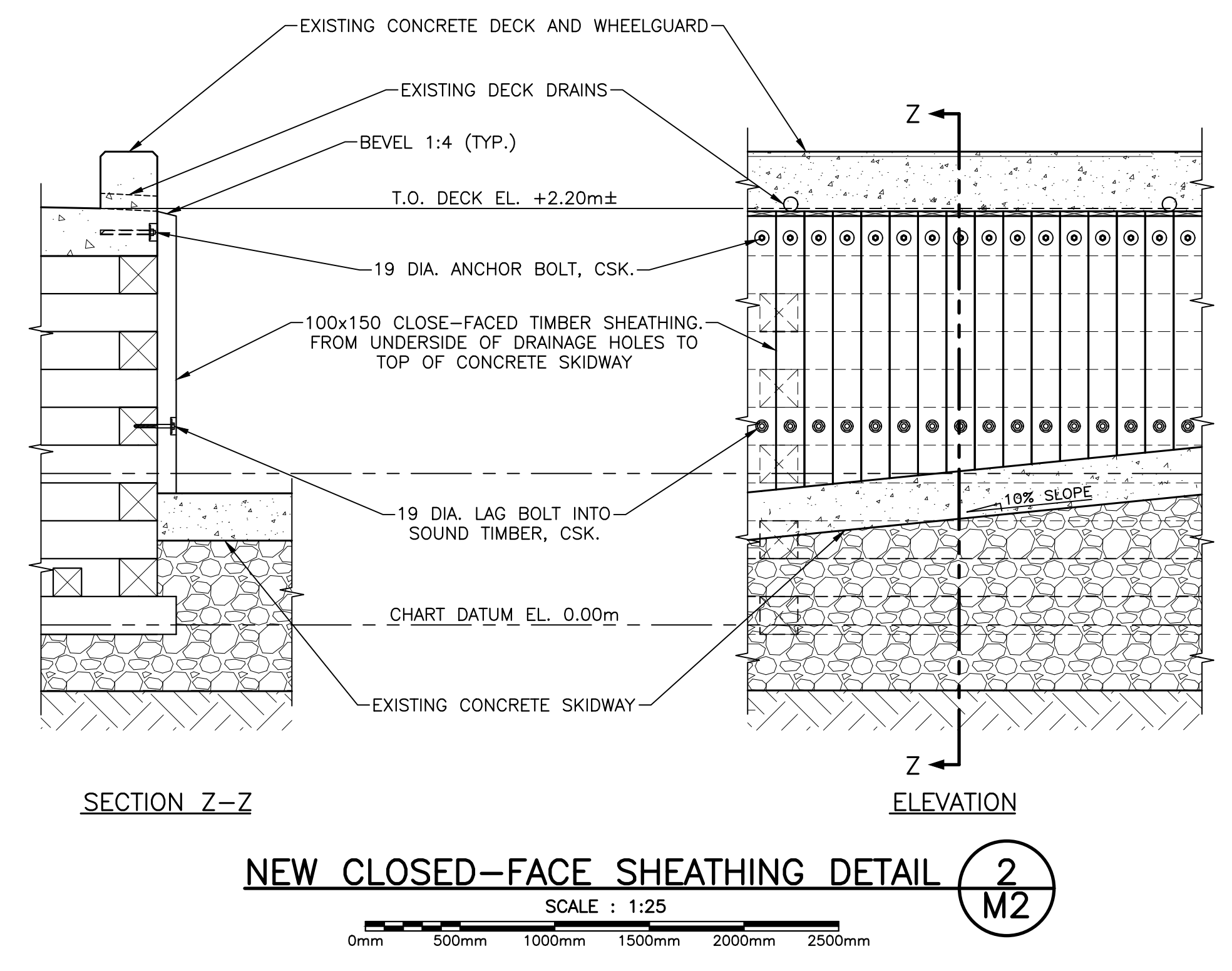
Fisheries and Oceans Canada  
Pêches et Océans Canada  
Small Craft Harbour  
Maritime Gulf Region



**PLAN OF NEW WORK - WHARF 401**  
SCALE : 1:100



**NOTE:**  
1. CONCRETE DECK DEPTH AND TIMBER SIZES MAY VARY DEPENDING ON LOCATION.  
2. THE CONDITION OF THE CONCRETE AND TIMBER IS TO BE EVALUATED AT INSTALLATION LOCATION BEFORE PROCEEDING WITH THE WORK.

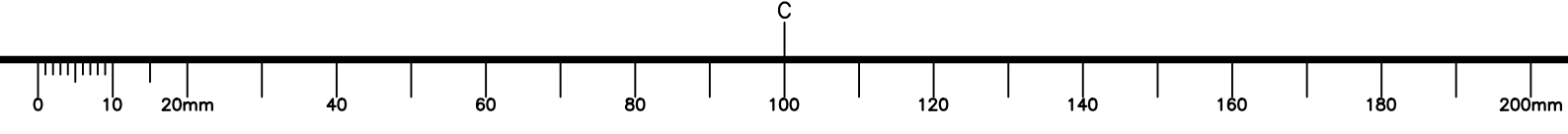


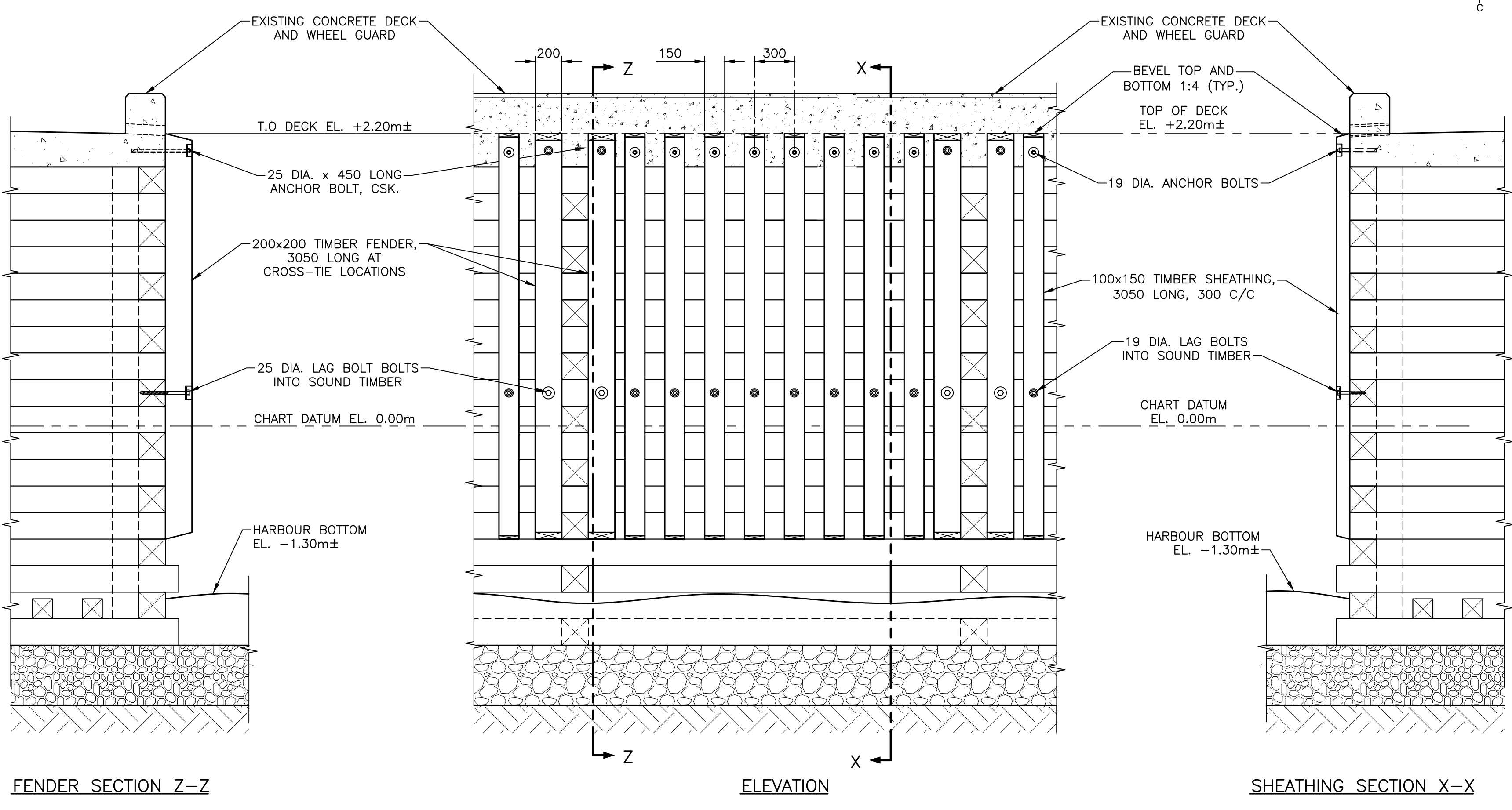
0	ISSUED FOR TENDER	OCT. 30, 2023
revisions		date

project  
**WHARF REPAIR  
NEW HAVEN WHARF  
VICTORIA COUNTY  
NOVA SCOTIA**  
project

drawing  
**PLAN AND DETAILS  
WHARF 401**  
design

designed V.L.	conçu
date	
drawn S.P./K.M.	dessiné
date OCT. 30, 2023	
approved V.L.	approuvé
date	
Tender	Soumission
PWSC Project Manager	Administrateur de projets TPSGC
project number	no. du projet
<b>C2-00707</b>	
drawing no.	no. du dessin
<b>M2</b>	



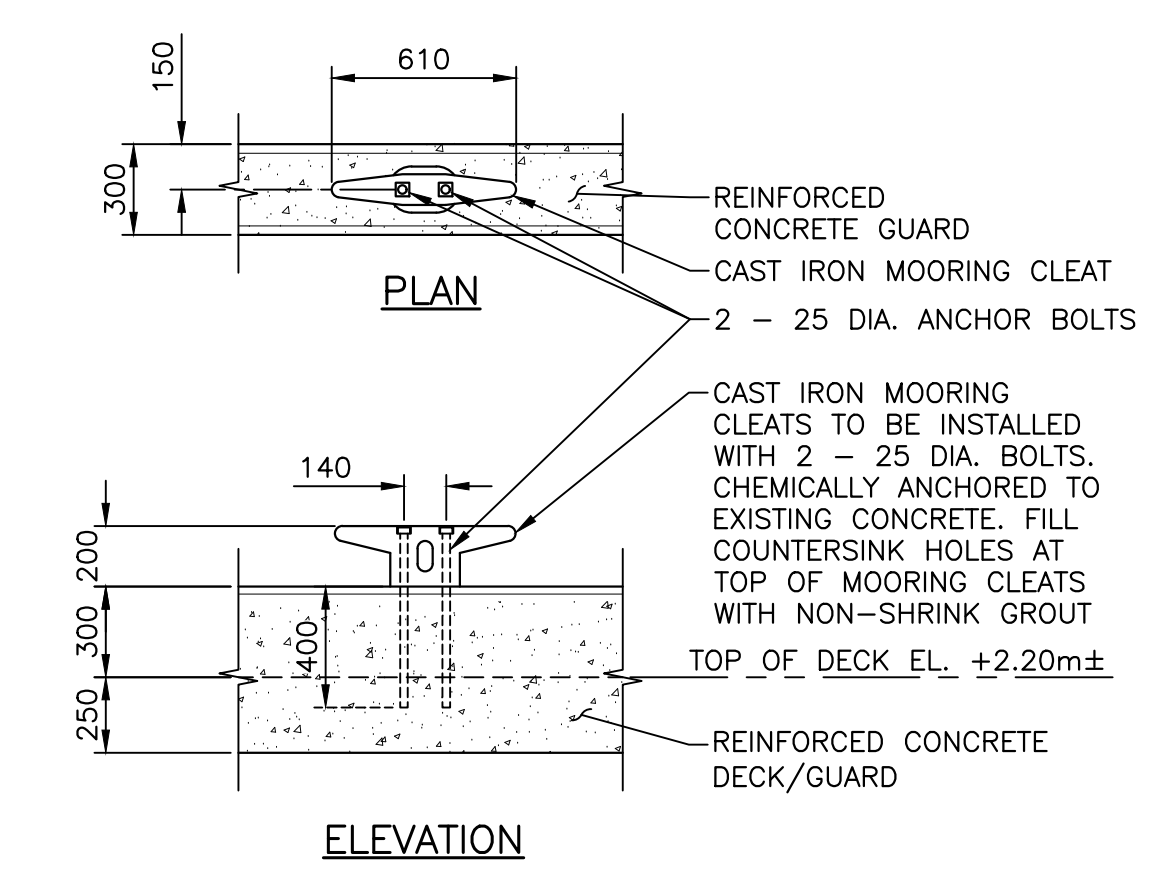


FENDER SECTION Z-Z

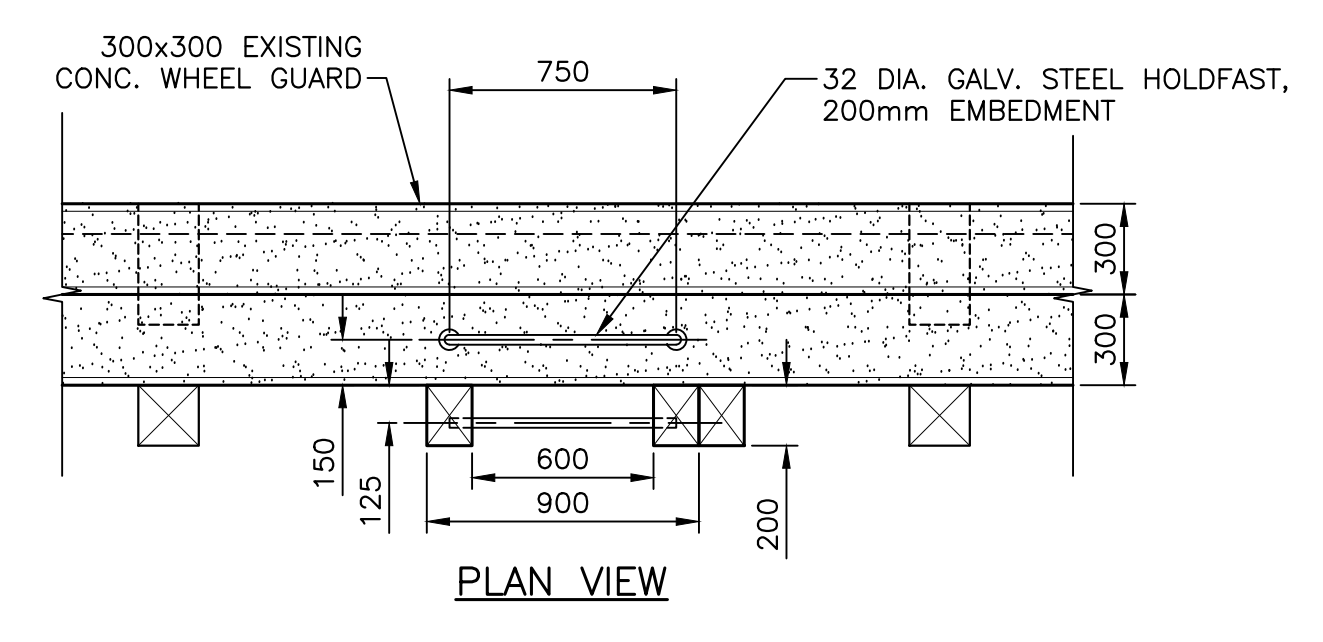
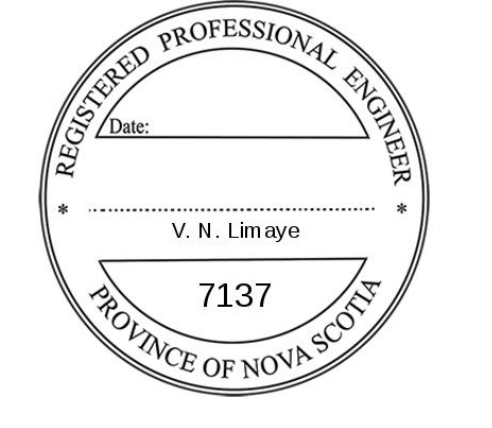
ELEVATION

SHEATHING SECTION X-X

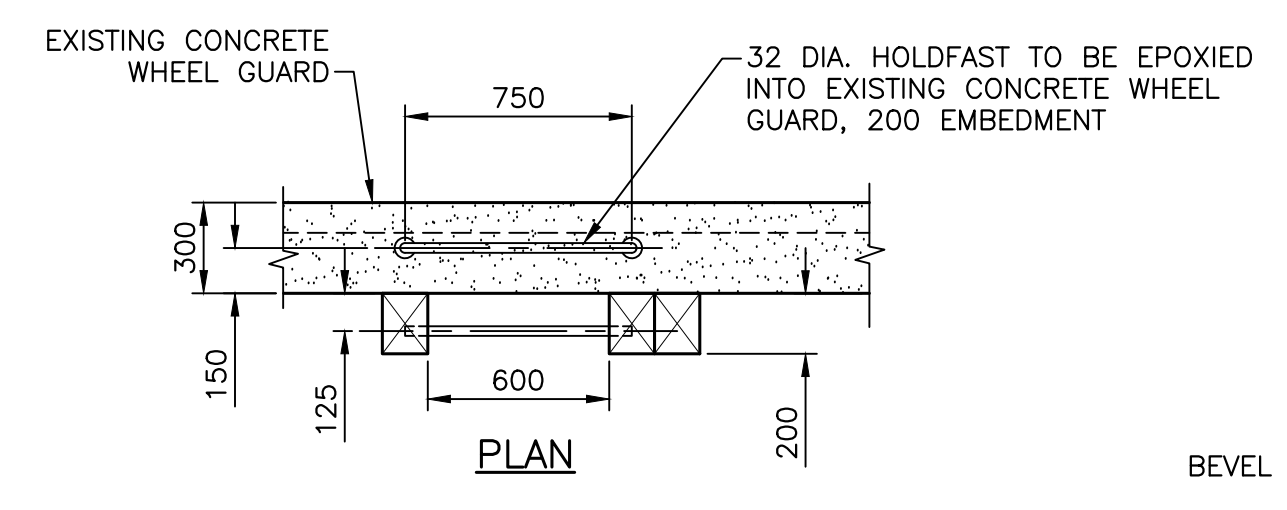
FENDER AND SHEATHING DETAIL - WHARF 402 **3**  
SCALE : 1:25  
0mm 500mm 1000mm 1500mm 2000mm 2500mm



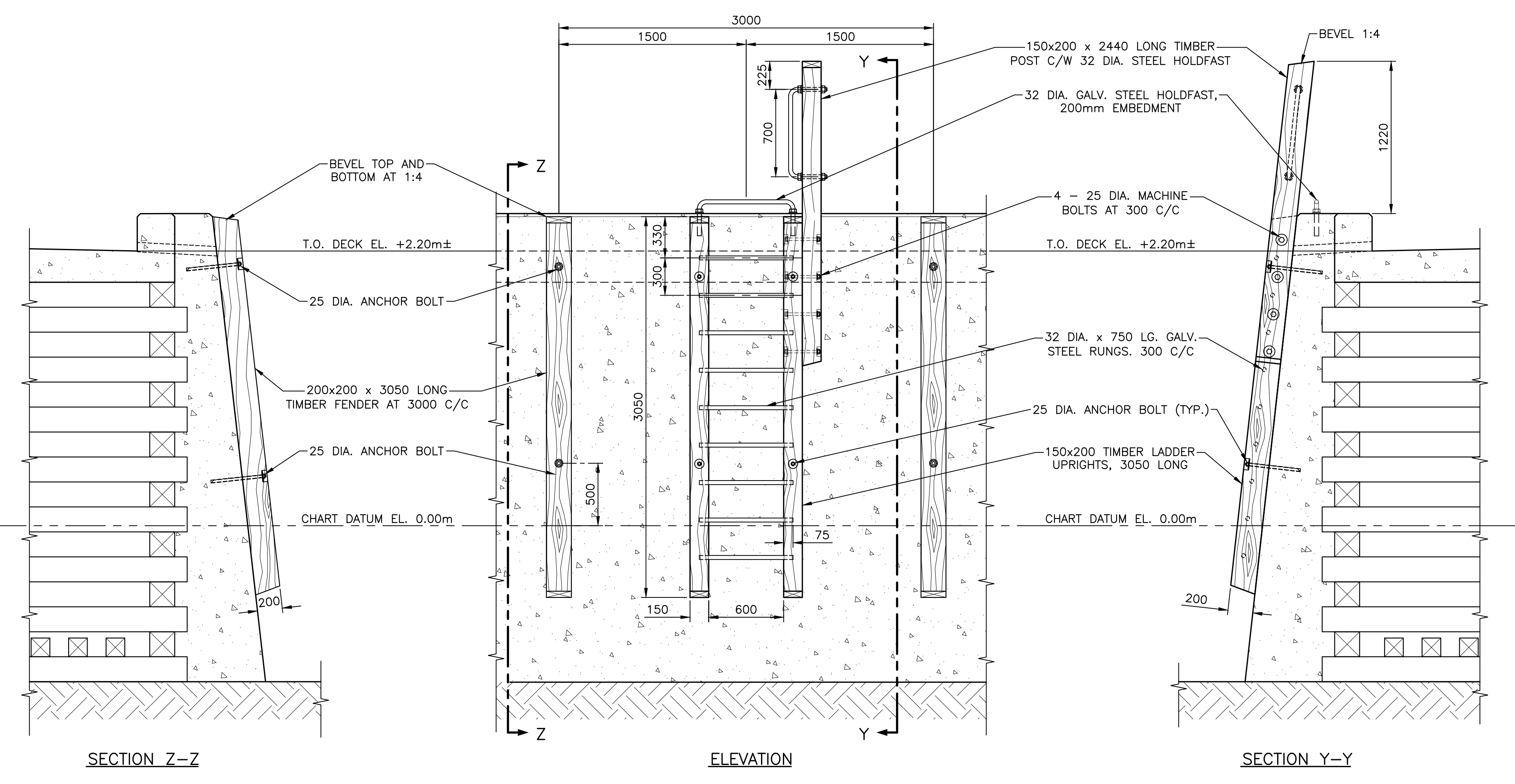
MOORING CLEAT DETAIL **4**  
SCALE : 1:25  
0mm 500mm 1000mm 1500mm 2000mm 2500mm



PLAN VIEW



PLAN

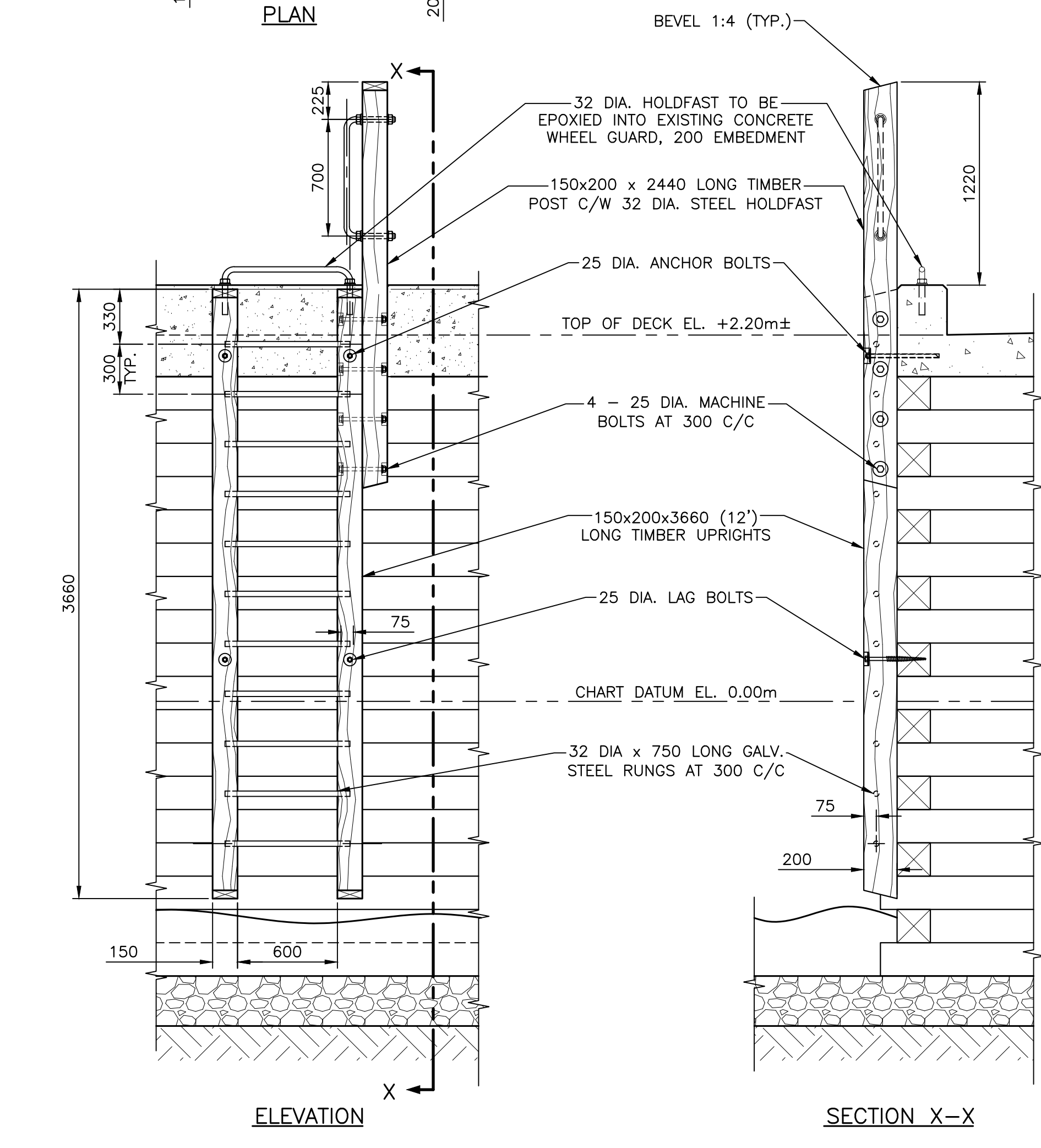


SECTION Z-Z

ELEVATION

SECTION Y-Y

LADDER AND FENDER DETAIL - WHARF 401 **6**  
SCALE : 1:25  
0mm 500mm 1000mm 1500mm 2000mm 2500mm



ELEVATION

SECTION X-X

LADDER DETAIL - WHARF 402 **7**  
SCALE : 1:25  
0mm 500mm 1000mm 1500mm 2000mm 2500mm

0	ISSUED FOR TENDER	OCT. 31, 2023
revisions		date

project **WHARF REPAIR  
NEW HAVEN WHARF  
VICTORIA COUNTY  
NOVA SCOTIA** project

drawing **SECTIONS AND DETAILS** dessin

designed V.L.	conçu
date	
drawn S.P./K.M.	dessiné
date OCT. 31, 2023	
approved V.L.	approuvé
date	

Tender Soumission

PWGSC Project Manager Administrateur de projets TPSCG  
project number no. du projet

**C2-00707**

drawing no. no. du dessin

**M3**

