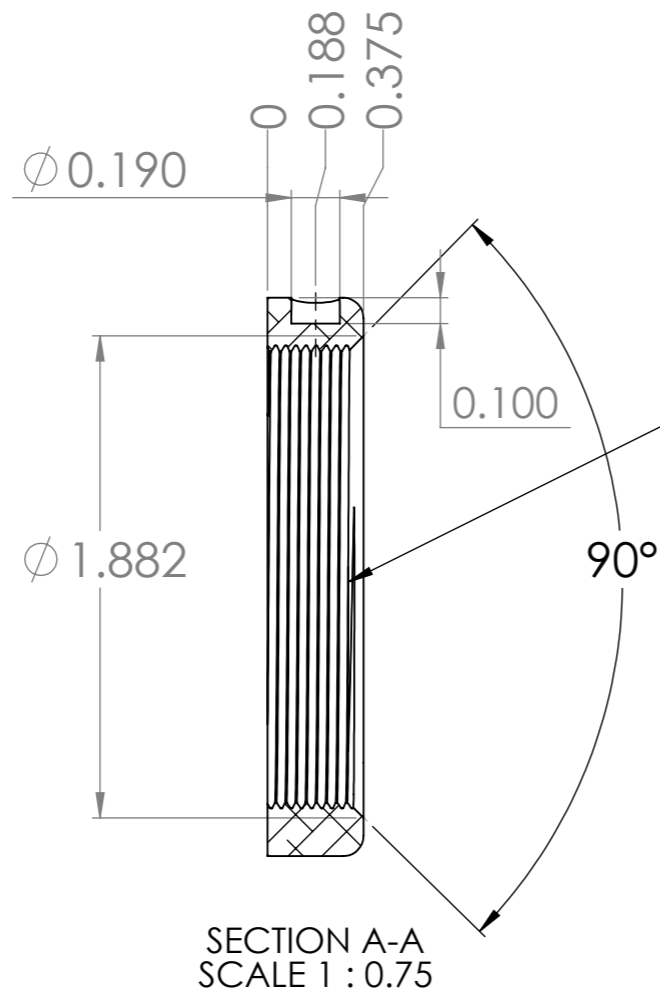
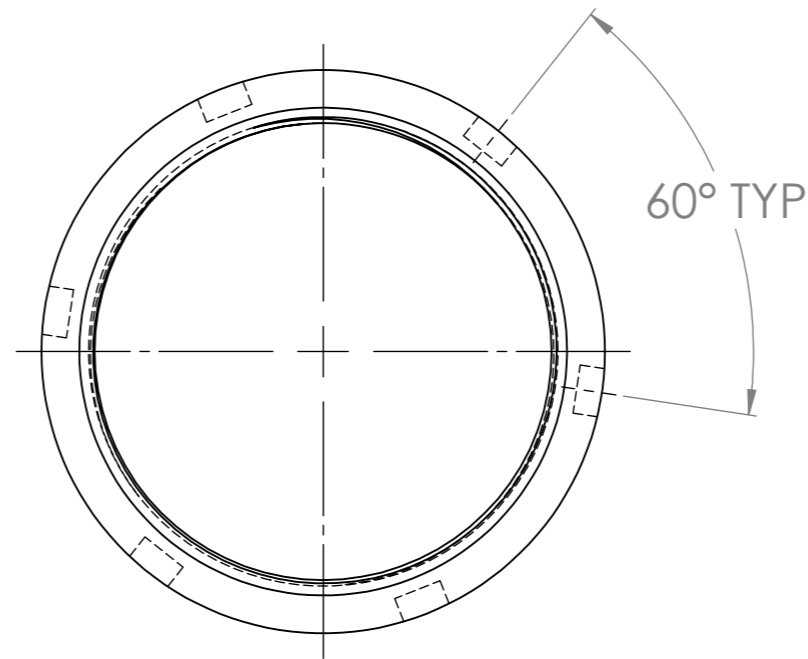
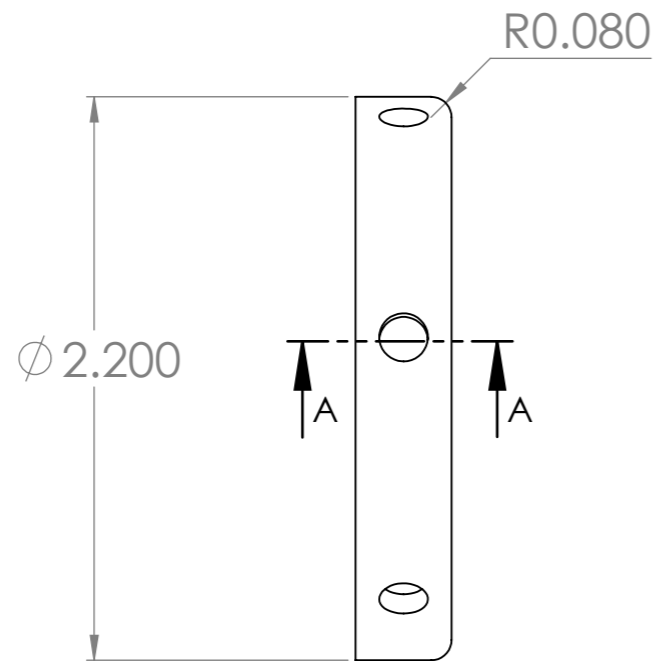


-BRAKE ALL SHARP EDGES .005-.015
 -TOLERANCE DECIMAL +/- .005 +/- .0010
 -HARD COAT ANODIZE MIL-A-8625 TYPE III
 CLASS 2 , MATT BLACK .002 SURFACE
 -ALL TOLERANCE APPLY AFTER ANODIZE



M46.5X1-6H (THRU)
 MAJOR DIAMETER MIN 46.526
 MINOR DIAMETER MIN 45.443
 MAX 45.679
 PITCH DIAMETER MIN 45.876
 MAX 46.051

UNLESS OTHERWISE SPECIFIED: DIMENSIONS ARE IN MILLIMETERS		FINISH: CLEAN		DEBURR AND BREAK SHARP EDGES		DO NOT SCALE DRAWING		REVISION	
SURFACE FINISH: TOLERANCES: LINEAR: ANGULAR:						RCMP-GRC			
DRAWN		NAME		SIGNATURE		DATE		TITLE: MUZZLE PROTECTOR 40 MM LOCK	
CHK'D									
APPV'D									
MFG									
Q.A						MATERIAL: 7075-T6		DWG NO. 77004850	
						WEIGHT:		SCALE:2:1	
								A3	